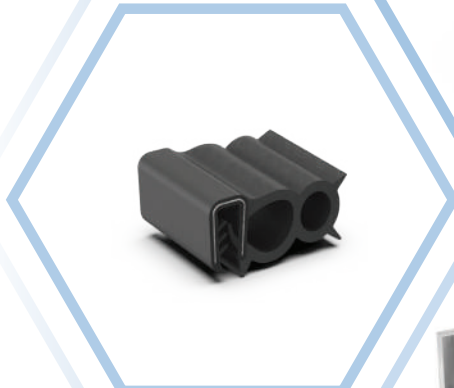


# MAIN CATALOGUE



SALES  
WORLDWIDE



92 %  
FROM IN-HOUSE  
PRODUCTION



IN-HOUSE  
MOULD MAKING

**Ingenious Locking Technology  
for Cabinets and Enclosures**

# Icons

The icons on the catalogue pages show the special properties of the items presented there.

|   |  |   |   |   |  |   |  |
|---|--|---|---|---|--|---|--|
|    | Inside the sealing   |    | Outside the sealing                                 |    | Concealed hinge                                    |    | Prominent hinge  |
|    | Lift-off version hinge   |    | Hinge limited lift-off version                      |    | Hinge for single cabinets                          |    | Hinge for in-line cabinets with single door              |
|    | Hinge for in-line cabinets with double door  |    | Door RH version                                     |    | Door LH version                                    |    | Door RH or LH version                                    |
|  | Protection class<br>e.g. IP 65   |  | PUR sealing foam                                    |  | Compression specification of lock                  |  | Article grounded or grounding possible                   |
|  | ELM Electronic Locking & Monitoring System application   |  | Resistance class 2 tested acc. to DIN EN 1630       |  | 2D nut usable                                      |  | 2D adjustable product                                    |
|  | 3D adjustable product  |  | Assembly without tool                               |  | clip-in product                                    |  | Product with graffiti resistant paint                    |
|  | meets hygiene requirements acc. to DIN EN 1672-2   |  | meets hygiene requirements acc. to DIN EN ISO 14159 |  | Shock and vibration test according to DIN EN 61373 |  | Plastic flame-resistant according to classification UL94 |
|  | Stainless steel<br>AISI 303 resp. 1.4305<br>AISI 304 resp. 1.4301<br>AISI 316 resp. 1.4401<br>AISI 316 Ti resp. 1.4571 |   |   |   |  |   |  |

# List of contents



|                             |  |
|-----------------------------|--|
| <b>Info</b>                 | EMKA overview, technical information   |
| <b>1 Quarter turns</b>      |  |
| 1A                          | Quarter turns, small and medium version  |
| 1B                          | Quarter turns, large version   |
| 1C                          | Accessories: Cams, dust cap, rods, rod guides  |
| 1D                          | Quarter turns (Program 1500)   |
| 1E                          | Quarter turns, different versions  |
| <b>2 Rod controls</b>       |  |
| 2A                          | Rod control for heavy duty, screw-on   |
| 2B                          | Rod control for heavy duty, weld-on  |
| <b>3 Locking systems</b>    |  |
| 3A to 3N                    | 1107 to 3000   |
| 3XA to 3XC                  | Locking sets: Modules, profile half cylinders  |
| 3YA to 3YC                  | Rod controls, bearing bushes, cams   |
| 3ZA to 3ZD                  | Rods for outside and inside; Rod guides  |
| <b>4 Hinges</b>             |  |
| 4A                          | Hinges for prominent doors   |
| 4B                          | Hinges for flush doors   |
| 4C                          | Pin hinges   |
| <b>5 Seals</b>              |  |
| 5A                          | Seals, cell sponge rubber, edge protection, window rubber profiles                     |
| <b>6 Handles</b>            |  |
| 6A                          | Bow-type handles, hand grips, tube handles, chest handles, edge handles                |
| 6B                          | Chest handles, chest handles with spring, bow-type handles                             |
| <b>7 Aluminium windows</b>  |  |
| 7A                          | Aluminium windows with or without frame  |
| 7B                          | EMKA PROflex: Aluminium window with or without frame, completely assembled or as a kit |
| <b>8 Miscellaneous</b>      |  |
| 8A                          | Locks: Chest handle, dead-bolt lock, bridge clamp, snap lock                           |
| 8B                          | Keys   |
| 8C                          | Supports and door stops, cover stays   |
| 8D                          | Accessories: Panel mounting device, cable shunting ring, drawing pocket                |
| 8E                          | Fixing material  |
| <b>9 Special catalogues</b> |  |
| 9A                          | EMKA Electronics   |
| 9B                          | Seals  |
| 9C                          | Toggle latches / Cylinder quarter turns  |
| 9D                          | Railway vehicles   |
| 9E                          | HVACR  |
| 9F                          | Commercial vehicles / Caravan  |
| <b>Index</b>                | Part number / Catalogue page   |



# About EMKA

---

The EMKA GROUP is world market leader for locks, latches, hinges and seals used in switch and control cabinets.

For more than 40 years, the company has been active across all sectors in the fields of industry (switch and control cabinets, HVACR systems, mechanical engineering) and transport (railway and commercial vehicles, caravans, etc.) with conventional and electronic locking solutions.

The overall range comprises more than 30,000 catalogue and special articles, which are developed, manufactured, refined and assembled at eleven production sites in Germany, France, Great Britain, Spain, Bosnia-Herzegovina, Serbia, China, India and Indonesia.

In one of the two new plants in Bosnia, the company produces around 900 moulds for injection moulding and die casting every year - both for own production and for external customers.

With 2,100 employees, EMKA serves over 36,000 customers in 55 countries worldwide. In 2020, the company achieved turnover of over 295 million euros.

EMKA - Ingenious Locking Technology.



**WirtschaftsWoche**

**WELT  
MARKT  
FÜHRER**

Champion  
2021

EMKA Beschlagteile  
Verschlüsse, Scharniere  
und Dichtungen

**ADWI**  
Assoziierte Deutsche Wirtschaftskörner

Henri B. Meier  
Unternehmensschule  
Universität St.Gallen



# Worldwide first choice

2,100 employees

Own production at 11 international locations

Represented in 55 countries worldwide

More than 30,000 catalogue and special products

More than 36,000 customers worldwide



Henville, France



Birmingham, UK



Arnedo, Spain



Goražde (Plant 1), Bosnia-Herzegovina



Goražde (Plant 2), Bosnia-Herzegovina





Company headquarters Velbert, Germany



Wuppertal, Germany



Tianjin, China



Mionica, Serbia



Bhilai, India



Bandung, Indonesia



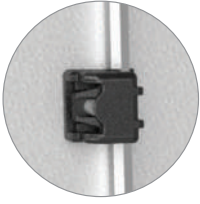
- Company headquarters
- Production site
- Subsidiary
- Agency



Seal



Guiding shoe



Rod guide



Swinghandle



Connector



Rod control with cam



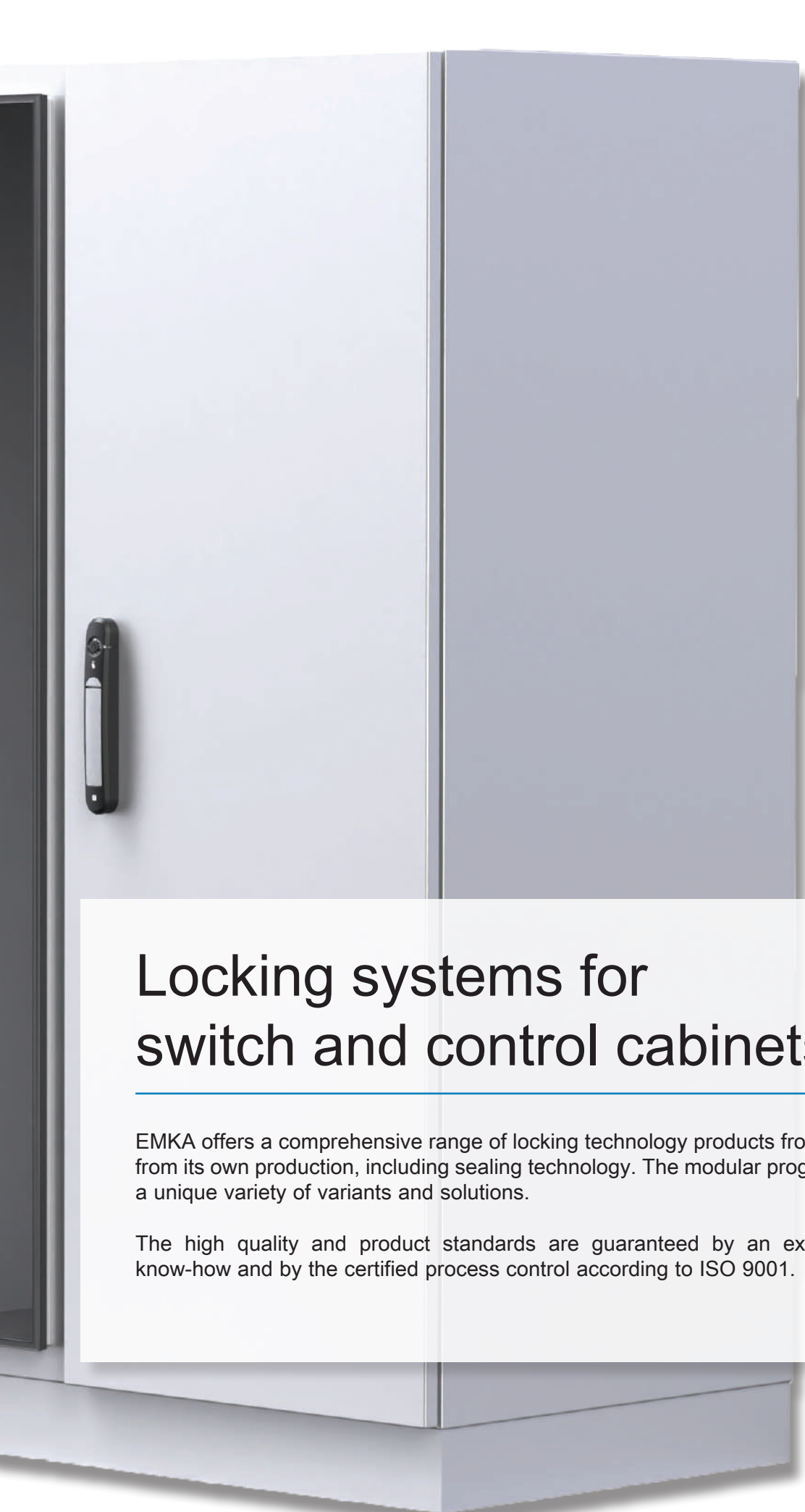
Hinge



Accessories







# Locking systems for switch and control cabinets

---

EMKA offers a comprehensive range of locking technology products from a single source and from its own production, including sealing technology. The modular program structure enables a unique variety of variants and solutions.

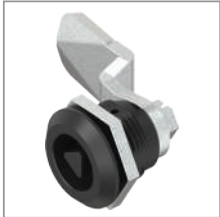
The high quality and product standards are guaranteed by an excellent manufacturing know-how and by the certified process control according to ISO 9001.

# Modular program

---

The product program by EMKA has a consistently modular structure.

No matter whether made of stainless steel, zinc, aluminium, plastic or rubber, the products meet national as well as international standards, e.g. resistance class RC2 and are available up to protection class IP 69K.



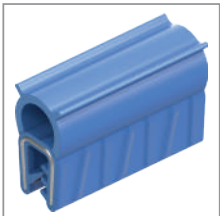
Locks and Latches



Locking Systems



Hinges



Sealing Profiles and Edge Protection



Accessories



## Online product search and CAD Download

Product search: Several methods lead to the catalogue page of the required item. Both the quick and direct way by entering the page number, item number or name and by using the extended search by means of selecting specific product properties.

CAD download: in the download area under [www.emka.com](http://www.emka.com), the CAD data of the EMKA products are made available in the international exchange formats STEP and IGES.



# Close communication with the customer from the idea to the product

---

In the EMKA Technology Centre the innovative products of tomorrow are created. 30 designers and design engineers convert ideas into finished products in close collaboration with the customer. Quite a few of these products are incorporated into the EMKA main catalogue which is thus strongly focused on the current market and customer needs.

To this day round 20,000 additional special parts have been created in this way that were tailor-made for special customer requirements by our specialists, intensely tested in our internal test lab and finally produced by EMKA.

State-of-the-art CAD systems and development methods such as finite elements method, rapid prototyping and 3D print are only some of the processes that are used in this context. A powerful project management software completes the range of services.

You have got an idea?

Together, let's make a product out of it!

# EMKA Mould + Series

---

EMKA is one of the three largest mould makers in Europe.

One reason for this is that all of EMKA's 30,000 catalogue and special products are tool-related. In its own production sites, EMKA produces these products from the materials polyamide, zinc, steel, stainless steel and aluminum. EMKA customers can take advantage of this manufacturing excellence that has been developed over decades. With the business model "Mould + Series", EMKA offers a unique service package:

Based on the customer's drawing, the mould is designed. The production of the initial sample with this mould takes place directly at EMKA on site on factory-owned machines from series production. In this way, the mould making and initial sample production stages are directly coupled with each other. Time and quality losses due to transport and coordination loops are eliminated. After tool and initial sample approval, the customer receives the complete test documentation as well as all relevant production parameters. If the customer does not want to manufacture his product himself, but wants to outsource it, EMKA can also take over the series production - if necessary with assembly work and worldwide logistics.

"Mould + Series" is mould making and initial sample production from a single source - with optional series production. In short: Production with a system.



## **Tool and mould making at EMKA**

with around 100 state-of-the-art machines

## **Initial sample production directly at EMKA**

at the same location as tool production on state-of-the-art machines for zinc, plastic and aluminum production

## **Series production at EMKA**

Plastic injection moulding, aluminium and zinc die casting, stamping, bending and forming technology as well as finishing

## **Warehouse and logistics**

24 EMKA subsidiaries worldwide with buffer warehouses guarantee on-time delivery of your products



| General notes   |
|---|
| All drawings are shown in right-hand version.   |
| Dimension date are basically understandable in 'mm'.  |
| Note for cut outs:<br>All dimensions are final dimensions, please consider for surface coating.   |
| All drawings are not to scale.  |
| UL50 and UL94 HB listed products see chapter 5.   |
| Welded pieces at the stainless steel area the material AISI 304 has a good weldability  |
| A key made of silver steel with black polyamide GF handle is supplied with each round cylinder made of zinc die.  |
| In case of assembling by the customer, the O-rings must be lubricated with O-ring suited grease.  |
| Hardware maintenance: the high-quality EMKA hardware is going to work perfectly for decades if used appropriately. Complementarily, we recommend a regular use of lubricants suitable for the application, utilisation and material on all moving hardware components. This particularly applies for the outdoor use. |
| In case of self-adhesive items the surface to be used for attaching has to be free of grease and dirt.  |
| The length of the profile half cylinder according to DIN 18252 is to be determined by the user corresponding to the lock.   |
| We reserve the right to make changes in design and drawing.   |

| Abbreviations |                              |
|---------------|------------------------------|
| A             | = Distance                   |
| B             | = Width                      |
| GH            | = Length of housing          |
| H             | = Height                     |
| L             | = Length                     |
| Th            | = Door height                |
| Ts            | = Door thickness             |
| t             | = Material thickness         |
| SW            | = Width across flat          |
| Fst           | = Spring steel               |
| GD-Zn         | = Zinc die casting           |
| Ms            | = Brass                      |
| m.s.          | = Mild steel                 |
| GF            | = Glass fibre                |
| GTW           | = Malleable cast iron, white |
| PA            | = Polyamide                  |

| IP-Rating according to IEC 60 529   |   |          |  |
|---|---|----------|--|
| The IP protection category is characterised by 2 numbers. Example of protection category: e.g. IP 54. |   |          |  |
| First no.   | Degree of protection against contact and foreign bodies       | Sec. no. | Degrees of protection against water  |
| 1   | Protected against solid foreign objects Ø 50 mm and greater   | 1        | Protected against vertically falling water drops                                       |
| 2   | Protected against solid foreign objects Ø 12.5 mm and greater | 2        | Protected against vertically falling water drops when the enclosure is tilted up to 15 |
| 3   | Protected against solid foreign objects Ø 2.5 mm and greater  | 3        | Protected against spraying water   |
| 4   | Protected against solid foreign objects Ø 1.0 mm and greater  | 4        | Protected against splashing water  |
| 5   | Dust-protected  | 5        | Protected against water jets   |
| 6   | Dust-tight  | 6        | Protected against powerful water jets  |
|   |   | 7        | Protected against the effects of temporary immersion in water                          |
|   |   | 8        | Protected against the effects of continuous immersion in water                         |
|   |   | 9K       | Protected against high pressure and steam jet cleaning                                 |

#### Explanation of IP 69K

The IP Rating IP 69K was developed for the high pressure cleaning at high temperatures. The number "6" stands for the protection against the ingress of dust, the "9" for the protection in case of high pressure cleaning at small distances and the "K" for the high temperature of water used (hot water).

The protection class IP 69K was introduced in 1993 and is based on the standard DIN 40050-9.

The IP 69K test was initially developed to specify the protection of road vehicles against ingress of foreign substances as dust or dirt and against hot water jets.

The test conditions of the IP rating IP 69K require a pressure of 100 bar at a water flow rate of approx. 15 l/min and a temperature of 80°C.

The nozzle from which the water exits is at a distance of 10 cm to the object to be tested during the test.

The water jet is applied on the device under test at the angles of 0°, 30°, 60°, and 90°, for a duration of 30 seconds at each angle, while the device under test is rotated with 5 U/min on its own axis.

The paper of this catalogue is produced without chlorine bleaching.



**Protection classes acc. to National Electrical Manufacturers Association (NEMA)**  
The UL classifications are not directly comparable with IP protection classes, since both the test conditions and the evaluation of the test results are different.

| UL/NEMA | Description  |
|---------|--|
| 1       | Protection against the penetration of solid bodies.  |
| 3, 3R   | Protection against the penetration of solid bodies, protection against the ingress of rain and dust and damage caused by icing.            |
| 3S      | Protection against rain, snow and foreign bodies. External mechanisms remain usable despite being coated in ice.                           |
| 4, 4X   | Protection against rain, foreign bodies, splash water and hosed water and against damage caused by icing on the exterior of the enclosure. |
| 12, 12K | Protection against dust deposits, foreign bodies and non-corrosive dripping liquids.   |
| 13      | Protection against dust deposits, spray, oil, and non-corrosive coolants.  |

**Stainless steel material specifications**

| Germany |                   | USA    | Japan      | Unified Numbering System |
|---------|-------------------|--------|------------|--------------------------|
| W.-Nr.  | DIN               | AISI   | JIS        | UNS                      |
| 1.4301  | X5CrNi18-10       | 304    | SUS 304    | S 30400                  |
| 1.4305  | X8CrNiS18-9       | 303    | SUS 303    | S 30300                  |
| 1.4310  | X10CrNi18-8       | 301    | SUS 301    | S 30100                  |
| 1.4401  | X5CrNiMo17-12-2   | 316    | SUS 316    | S 31600                  |
| 1.4571  | X6CrNiMoTi17-12-2 | 316 Ti | SUS 316 Ti | S 31635                  |

**REACH, RoHS conformity and WEEE directive**

Our company is represented worldwide and considers the protection of the environment and its natural resources to be a corporate duty. Not only before this background EMKA has been certified according to the environmental management standard DIN ISO 14001 for years.

**Declaration regarding REACH conformity**

Under the REACH regulation, EMKA is a manufacturer and supplier of products within the EEA (European Economic Area). EMKA does not manufacture or supply Substances or Preparations. All EMKA products do not involve the intentional release of substances. The compliance certificate is reviewed and eventually updated periodically according to the SVHCs new list published by ECHA. EMKA products do not contain REACH Substances of Very High Concern (SVHC) in a concentration above the threshold value of 0.1%, as specified per ECHA Directive 1907/2006/EG (updated for SVHC candidates list from 15-June-2015).

**Declaration regarding RoHS conformity**

All products made by EMKA are RoHS compliant. This means that the substances restricted by the RoHS Directive 2011/65/EU (RoHS II) are not contained in finished products above the concentration limit at homogeneous material level stated in the RoHS Directive, unless the restricted substance is subject of an exemption contained in the RoHS Directive 2011/65/EU.

**Declaration regarding WEEE directive**

The products offered by EMKA are intended solely for B2B trade (in accordance with the WEEE-directive). After being used, they can be returned to us or disposed of by a commercial waste management company. Disposal via the municipal collection system is not permitted! In case of a return to EMKA, a professional recycling or disposal will be ensured.

**Conflict Minerals Policy**

EMKA is working towards ensuring that our products do not contain "conflict minerals 3TG ( Tin, Tantalum, Gold and Wolfram )" that have been sourced from mines that support or fund conflict within the Democratic Republic of Congo or adjoining countries. We work closely with our suppliers to ensure the responsible sourcing of conflict minerals.

#### Tolerances of the seals::

Seals are toleranced in accordance with DIN ISO 3302-1. Soft rubber usually according to 'E2' and sponge rubber according to 'E3'. PVC edge protection profiles are toleranced according to DIN 16941-3B.

Some examples:

| Nominal dimension |       | Tolerance class<br>DIN ISO 3302-1 E2 | Tolerance class<br>DIN ISO 3302-1 E3 |
|-------------------|-------|--------------------------------------|--------------------------------------|
| over              | up to |                                      |                                      |
| 0                 | 1.5   | ±0.25                                | ±0.40                                |
| 1.5               | 2.5   | ±0.35                                | ±0.50                                |
| 2.5               | 4.0   | ±0.40                                | ±0.70                                |
| 4.0               | 6.3   | ±0.50                                | ±0.80                                |
| 6.3               | 10    | ±0.70                                | ±1.00                                |
| 10                | 16    | ±0.80                                | ±1.30                                |
| 16                | 25    | ±1.00                                | ±1.60                                |
| 25                | 40    | ±1.30                                | ±2.00                                |
| 40                | 63    | ±1.60                                | ±2.50                                |

| Nominal dimension |       | Tolerance class<br>DIN 16941-3B |
|-------------------|-------|---------------------------------|
| over              | up to |                                 |
| 0                 | 3     | ±0.40                           |
| 3                 | 6     | ±0.60                           |
| 6                 | 10    | ±0.70                           |
| 10                | 18    | ±0.80                           |
| 18                | 30    | ±1.00                           |

The appropriate storage is important (optimal storage temperature +5°C to +20°C). For the storage of seals, attention should be paid to DIN 7716 (guidelines for storage, maintenance and cleaning of rubber products). If possible, wrong storage in respect to long lay days or storing times should be avoided, since the mechanical characteristics may change.

#### Elastomers - Operating temperatures and stabilities:

| Materials | Operating temperatures  | Hardness (± 5 Shore A) |
|-----------|-------------------------|------------------------|
| EPDM      | approx. -40°C to +100°C | 25 (MG) to 90 (WG)     |
| NBR       | approx. -30°C to +100°C | 25 (MG) to 90 (WG)     |
| CR        | approx. -25°C to +100°C | 40 to 90               |
| PVC       | approx. -10°C to +70°C  | 55 to 75               |
| Silicone  | approx. -60°C to +200°C | 10 to 90               |

MG = Foam rubber / WG = Soft rubber

#### Recommended compression for extruded sealing profile:

The compression of our sealing profiles should be 50% max., since otherwise the function (tightness) and the restoring forces are affected. In practice, the profiles are compressed between 30-50%.

It does not matter, whether it is a EPDM, NBR or a silicone profile. The mechanical properties are quite comparable (unlike the chemical resistances). If the seal is deformed beyond these limitations, there is the risk of the compression set (DVR) becoming too big, because the material deforms plastically as well.

The seal would be designed too small then.

#### Resistances:

Because of the large variety of possible chemicals, solvent (concentrations), operating temperatures and times, no evaluations concerning the possible resistances can be made at this point. In every individual case, a test under the present circumstances, like concentration, temperature and duration of the impact, is recommended.

#### Fire protection:

We supply materials certified according to the current fire protection standards for railway vehicles.  
e.g. according to DIN EN 45545-2; NF F 16-101/ -102; NFPA 130

**Whether the achieved categories fit to the respective requirements or vehicle classes has to be verified for the individual case.**

In general, higher fire protection classes can be achieved with silicone profiles than with EPDM.

#### Disclaimer:

As a rule, disclosed values are standard values detected on sample plates and correspond to our state of knowledge. However, they do not release the end user of individual and thorough tests.

DNV-GL

## MANAGEMENT SYSTEM ZERTIFIKAT

---

|   |  |  |
|---|--|--|
| Zertifikat-Nr.:<br>194710-2016-AQ-GER-Dakks | Datum der Erstzertifizierung:<br>16. Februar 2019<br>A Ablaufdatum des letzten<br>Zertifizierungszyklus:<br>15. Februar 2019<br>Datum der letzten Rezertifizierung:<br>24. Januar 2019 | Gültig:<br>28. Februar 2019 - 15. Februar 2022 |
|---|--|--|

Hiermit wird bescheinigt, dass das Unternehmen

**EMKA Beschlagteile GmbH & Co. KG**  
Langenberger Str. 32, 42551 Velbert, Deutschland  
sowie die im Anhang aufgeführten Standorte

ein Qualitäts-Managementsystem in Übereinstimmung mit dem folgenden Standard eingeführt hat und anwendet:

**ISO 9001:2015**

Dieses Zertifikat ist gültig für die folgenden Produkt- oder Dienstleistungsbereiche:

**Entwicklung, Herstellung und Vertrieb von mechanischen / elektronischen Verschluss- Systemen; Scharnieren, Kunststoffspritz-, Automaten drehteilen und Sonderanfertigungen. Management des Herstellungsprozesses von Dichtungen und Druckgussteilen.**

Ort und Datum:  
Essen, 28. Februar 2019



Zertifizierungsstelle:  
DNV GL - Business Assurance  
Schlieringhof 14, 45329 Essen, Germany

*Thomas Beck*  
Leiter Zertifizierungsstelle



Die Vorwahl gegen die im Zertifizierungsvertrag genannten Bedingungen kann das Zertifikat seine Gültigkeit verlieren.  
AKKREDITIERTE STELLE: DNV GL Business Assurance Zertifizierung und Umweltgutachter GmbH, Schlieringhof 14, 45329 Essen, Germany.  
TEL: +49 201 7290-222. www.dnvgl.de/assurance

DNV-GL

## MANAGEMENT SYSTEM CERTIFICATE

---

|   |   |   |
|---|---|---|
| Certificate No:<br>194710-2016-AQ-GER-Dakks | Initial certification date:<br>16 February 2019<br>Expiry date of last certification cycle:<br>15 February 2019<br>Date of last recertification:<br>24 January 2019 | Valid:<br>28 February 2019 - 15 February 2022 |
|---|---|---|

This is to certify that the management system of

**EMKA Beschlagteile GmbH & Co. KG**  
Langenberger Str. 32, 42551 Velbert, Germany  
and the sites as mentioned in the appendix accompanying this certificate

has been found to conform to the Quality Management System standard:

**ISO 9001:2015**

This certificate is valid for the following scope:

**Development, manufacturing and sales of mechanical / electronic locking systems; hinges, injection moulded parts, robot turned parts, specially manufactured products. Management of the production process of gaskets and die casting products.**

Place and date:  
Essen, 28. February 2019



For the issuing office:  
DNV GL - Business Assurance  
Schlieringhof 14, 45329 Essen, Germany

*Thomas Beck*  
Technical Manager



Lack of fulfillment of conditions as set out in the Certification Agreement may render this Certificate invalid.  
ACCREDITED UNIT: DNV GL Business Assurance Zertifizierung und Umweltgutachter GmbH, Schlieringhof 14, 45329 Essen, Germany.  
TEL: +49 201 7290-222. www.dnvgl.de/assurance

Explanation of the terms left hand/right hand door and locking direction

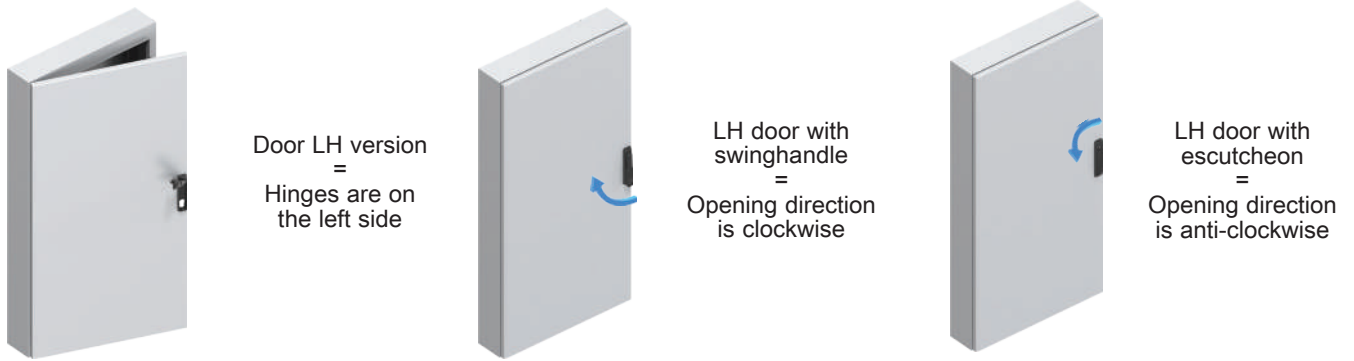
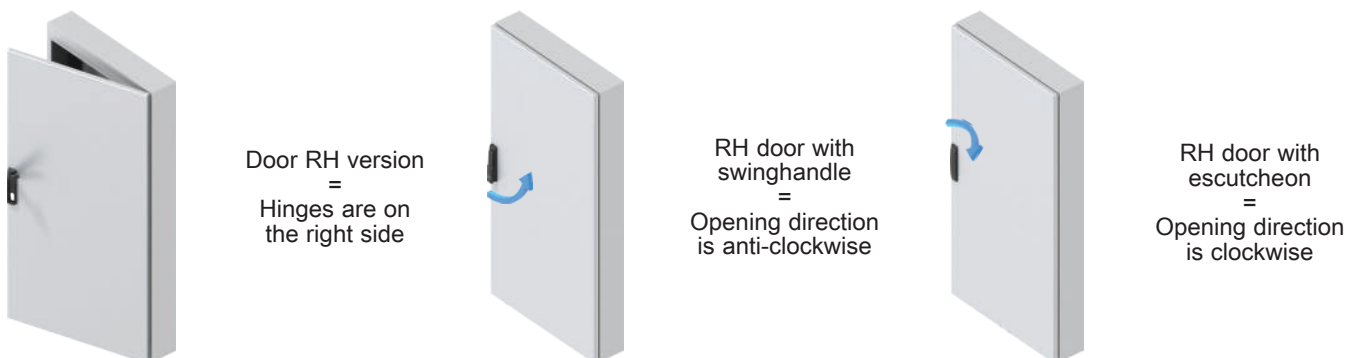








































Illustration with closed door



#### Overview of inserts

for quarter turns, escutcheons, swinghandles and further articles.

|                      |   |                    |   |   |                                  |   |
|----------------------|---|--------------------|---|---|----------------------------------|---|
| 1 Quarter turns      |    | - Square           |    |    | - Slot 2 x 4                     |    |
| 2 Rod controls       |    | - Square slotted   |    |    | - Slot 2 x 4 coinproof           |    |
| 3 Locking systems    |    | - Triangular CNOMO |    |    | - Crown type                     |    |
| 4 Hinges             |    | - Triangular       |    |    | - Eastern Europe Ø 13 half-round |    |
| 5 Seals              |   | - Double bit       |   |   | - FIAT                           |   |
| 6 Handles            |  | - Hexagon male     |  |  | - Railway                        |  |
| 7 Aluminium windows  |  | - Hexagon female   |  |  | - Hexagon female with pin        |  |
| 8 Miscellaneous      |  | - Square female    |  |  | - Ø 8.6 with slot                |  |
| 9 Special catalogues |  | - Daimler Benz     |  |  | - Tube                           |  |
| Index                |  | - Slot 1.2 x 3     |  |   |                                  |   |

Further inserts on request!

# Quarter turns

| 1022                           | 1012                             | 1000                            | 1500                               | Beschlagteile                        |
|--------------------------------|----------------------------------|---------------------------------|------------------------------------|--------------------------------------|
| Quarter turns<br>small version | Quarter turns,<br>medium version | Quarter turns,<br>large version | Quarter turns,<br>clip fix version |                                      |
| 1A-100                         | 1A-100                           | 1B-100, 1C-100                  | 1D-100                             | see catalogue page                   |
|                                |                                  |                                 |                                    |                                      |
| •                              | •                                | •                               | •                                  | screw-on                             |
| •                              |                                  | •                               |                                    | clip-in                              |
| •                              |                                  | •                               |                                    | with spring fixing                   |
|                                |                                  | •                               |                                    | weld-on                              |
|                                |                                  |                                 | •                                  | clip fix                             |
| IP 65                          | IP 65                            | IP 65 / IP 66 / IP 69K          | IP 65                              | IP-Rating                            |
| 20 / 22                        | 22                               | 28 / 30 / 32 / 28               | 30                                 | Head diameter                        |
| 3                              | 4                                | 4 / 5 / 6 / 24                  | 4 / 6                              | Head height                          |
| 13.5                           | 20                               | 18-60                           | 15 / 18                            | Housing length GH                    |
| •                              |                                  | •                               |                                    | Quarter turn made of polyamide       |
| •                              | •                                | •                               |                                    | Quarter turn made of zinc die        |
|                                |                                  | •                               |                                    | Quarter turn made of m.s.            |
| •                              |                                  | •                               |                                    | Quarter turn made of stainless steel |
| •                              |                                  | •                               |                                    | Seal loose                           |
|                                |                                  | •                               | •                                  | Seal foamed                          |
|                                |                                  | •                               | •                                  | Cam made of polyamide                |
| •                              | •                                | •                               | •                                  | Cam made of m.s.                     |
| •                              |                                  | •                               | •                                  | Cam made of stainless steel          |
| •                              | •                                | •                               | •                                  | Insert                               |
| •                              |                                  | •                               | •                                  | Round cylinder                       |
| •                              |                                  | •                               | •                                  | Wing knob                            |
|                                |                                  | •                               | •                                  | T-handle                             |
|                                |                                  | •                               | •                                  | L-handle                             |
|                                |                                  | •                               |                                    | Radial pin cylinder                  |
|                                |                                  | •                               |                                    | for padlock                          |
|                                |                                  | •                               |                                    | Safety quarter turn                  |
| •                              |                                  | •                               |                                    | Compression latch                    |
|                                |                                  | •                               |                                    | Fire brigade lock                    |
|                                |                                  | •                               |                                    | Quarter turn railway                 |
|                                |                                  | •                               |                                    | FIAT quarter turn                    |
|                                |                                  | •                               |                                    | Quarter turn for Swedish power comp. |
|                                |                                  | •                               |                                    | Slam cam                             |
|                                |                                  | •                               |                                    | Hook lever lock                      |
| •                              | •                                | •                               |                                    | Dust cap                             |
|                                |                                  | •                               |                                    | Finger pull                          |
|                                |                                  | •                               |                                    | Inside handle                        |

 1 Quarter turns  
1 Quarter turns

2 Rod controls

3 Locking systems

4 Hinges

5 Seals

6 Handles

7 Aluminium windows

8 Miscellaneous

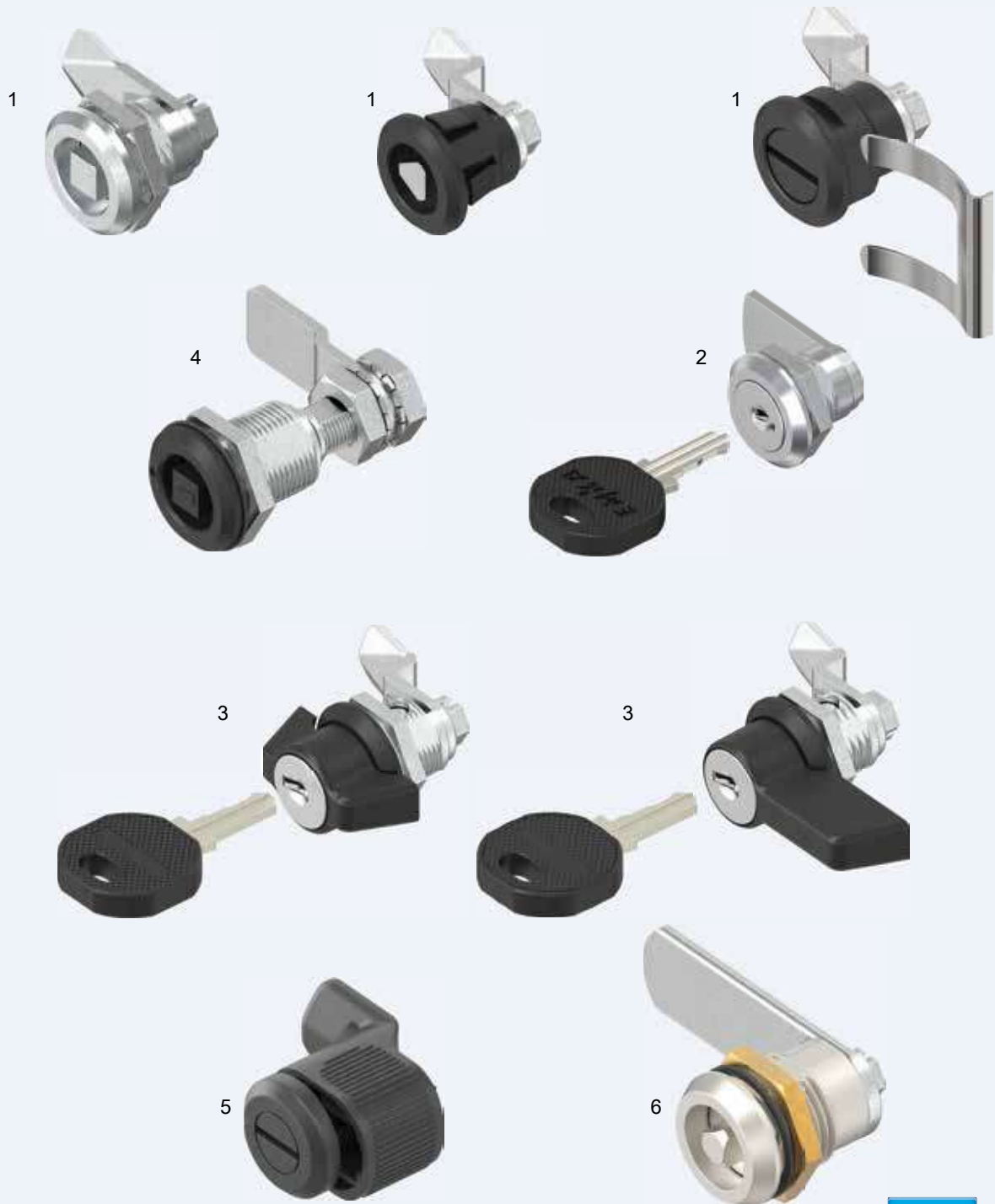
9 Special catalogues

Index



# Quarter turns

## Small and medium version, Program 1012, 1022



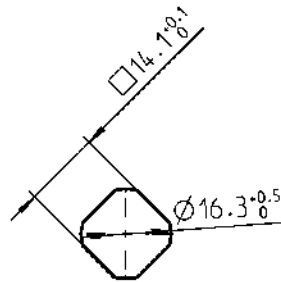
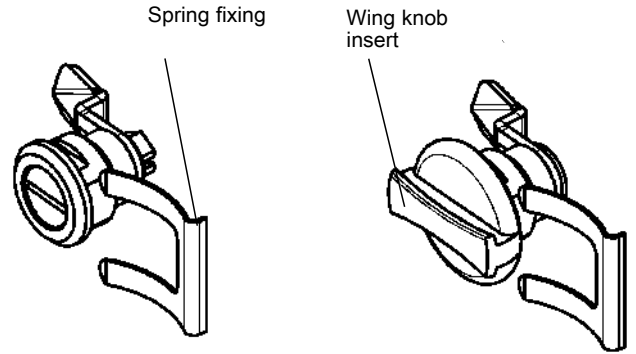
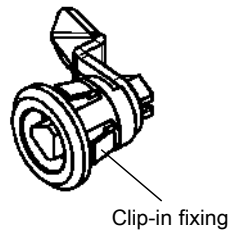
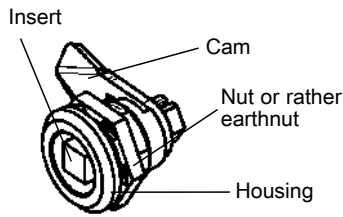
- |   |  |        |
|---|--|--------|
| 1 | Quarter turns with insert                | 1A-120 |
| 2 | Cylinder quarter turns                   | 1A-160 |
| 3 | Wing knob quarter turns                  | 1A-140 |
| 4 | Compression latch                        | 1A-220 |
| 5 | Quarter turns for assembly without tools | 1A-320 |
| 6 | Quarter turns with insert                | 1A-420 |



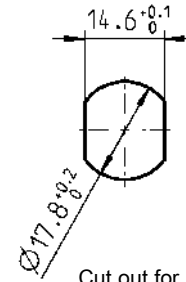
# 1A-100

# Quarter turns, small version

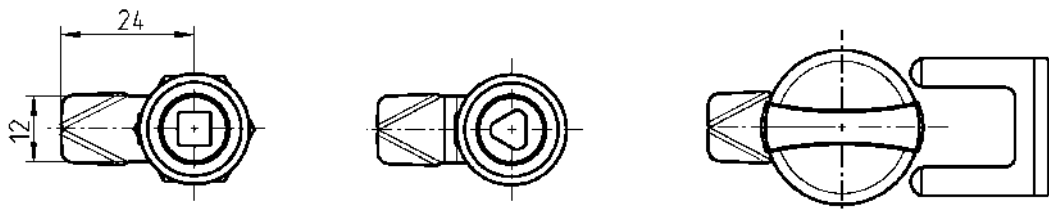
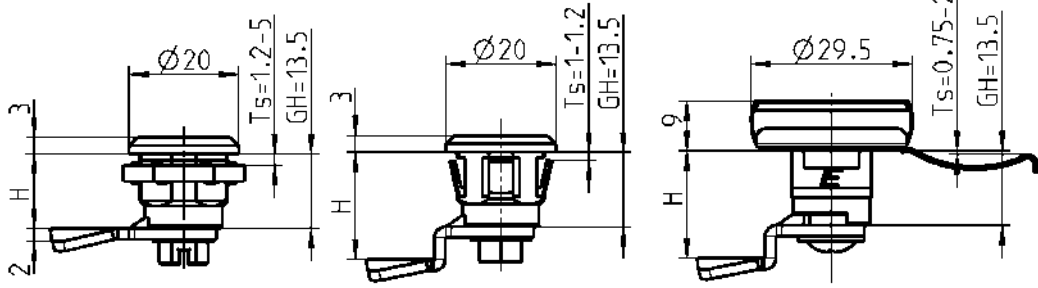
## PROGRAM 1022



Cut out for  
nut fixing and  
clip-in fixing



Cut out for  
spring fixing

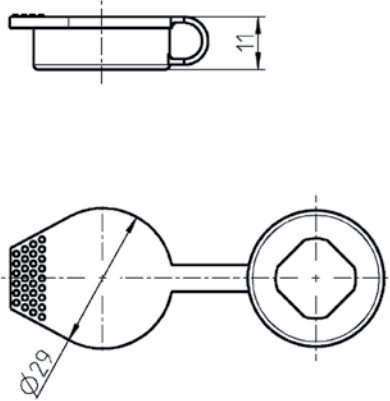
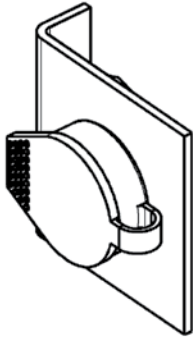


Housing zinc die, polyamide or. stainless steel.; nut or spring fixing m.s. zinc-plated or stainless steel;  
with seal (only for stainless steel Version)

|  | Zinc die<br>chrome plated | Zinc die<br>black<br>powder coated | Stainless steel<br>AISI 303 | Polyamide<br>black     |                               |
|--|---------------------------|------------------------------------|-----------------------------|------------------------|-------------------------------|
| mit Mutter <sup>1)</sup> m.s. <sup>2)</sup> AISI 303   | 1022-U8 <sup>1)</sup>     | 1022-U46 <sup>1)</sup>             | 1022-U60 <sup>2)</sup>      | 1022-U71 <sup>1)</sup> |                               |
| with earthing nut m.s.   | 1022-U9                   | 1022-U47                           | -                           | -                      |                               |
| Clip-in fixing   | -                         | -                                  | -                           | 1022-01-02             |                               |
| with spring fixing   | 1022-U76                  | 1022-U77                           | -                           | 1022-U78               |                               |
| <b>Insert zinc die, polyamide or stainless steel; fixing material m.s. zinc-plated;<br/>with seal (only for stainless steel version)</b> |                           |                                    |                             |                        | <b>Key<br/>zinc die black</b> |
| Square 6   | 1022-U2                   | 1022-U44                           | 1022-U61                    | 1022-U72               | 1004-20                       |
| Triangular 6.5   | 1022-U1                   | 1022-U43                           | 1022-U62                    | 1022-U73               | 1004-21                       |
| Slot 1.5 x 3   | 1022-U3                   | 1022-U45                           | 1022-U63                    | 1022-U74               | -                             |
| Blank  | 1022-U4                   | -                                  | 1022-U64                    | 1022-U75               | -                             |
| Wing knob insert   | -                         | -                                  | -                           | 1022-U82               | -                             |



### Accessories



**Attention:**  
Not suitable for housings with spring or clip-in fixing.



**AISI INOX**



**Attention:**  
When dust cap 1022-23-01 is used, dimension H reduces by 2 mm.  
Not suitable for housings with spring or clip-in fixing.

**Application area:**  
Small doors and flaps

| Cam, material of choice, t = 2  |                  |            |
|---|------------------|------------|
|   | m.s. zinc-plated | AISI 304   |
| H = 7.5   | 1022-20          | 1022-20-PC |
| 13.5  | 1022-07          | 1022-07-PC |
| 19.5  | 1022-08          | 1022-08-PC |
| IP 65 achieved by:  |                  |            |
| - O-ring<br>(included in case of stainless steel version)                               |                  | 1022-09    |
| - Flat seal<br>(only for screw-on housing, included in case of stainless steel version) |                  | 1022-10    |
| Assembly on request   |                  |            |
| without O-ring  |                  | 1022-990   |
| with O-ring   |                  | 1022-991   |
| Accessories   |                  |            |
| Dust cap polyethylene black   |                  | 1022-23-01 |

## Wing knob quarter turns, small version PROGRAM 1022

### Beschlagteile

Info

1 Quarter turns



2 Rod controls



3 Locking systems



4 Hinges

5 Seals

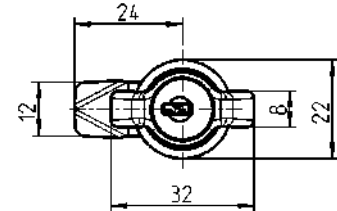
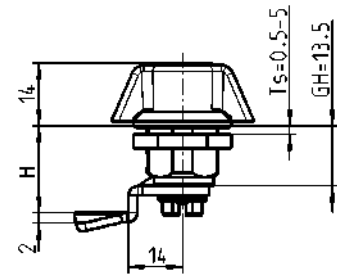
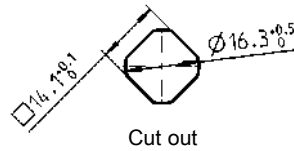
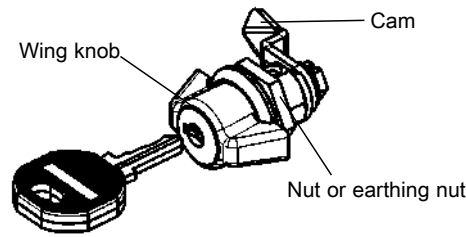
6 Handles

7 Aluminium windows

8 Miscellaneous

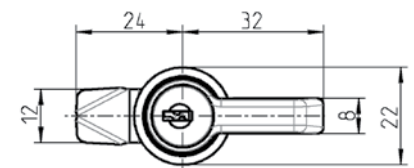
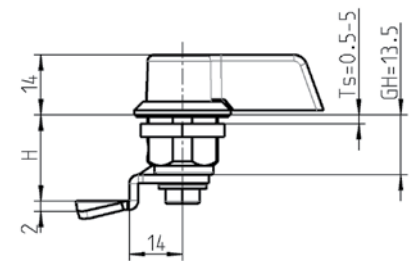
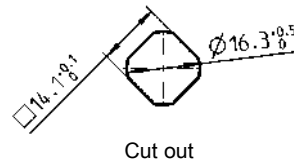
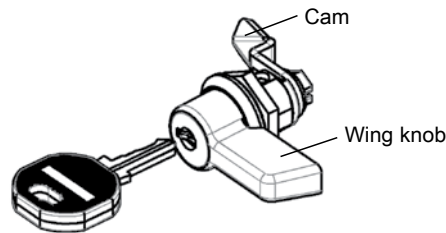
9 Special catalogues

Index



Wing knob with housing zinc die, round cylinder zinc die with stainless steel cap, nut or earthing nut and screw m.s. zinc-plated. Each round cylinder has one silver steel key with polyamide grip GF black.

| non locking *                      | keyed 2233X | keyed different |              | non locking *       | keyed 2233X | keyed different |
|------------------------------------|-------------|-----------------|--------------|---------------------|-------------|-----------------|
| chrome-plated                      |             |                 |              | black powder-coated |             |                 |
| 1022-U29                           | 1022-U31    | 1022-U33        | Nut          | 1022-U37            | 1022-U39    | 1022-U41        |
| 1022-U30                           | 1022-U32    | 1022-U34        | Earthing nut | 1022-U38            | 1022-U40    | 1022-U42        |
| <b>Cam m.s. zinc-plated, t = 2</b> |             |                 |              |                     |             |                 |
| H = 7.5                            | 1022-20     | H = 13.5        | 1022-07      | H = 19.5            | 1022-08     |                 |



Wing knob with housing zinc die, round cylinder zinc die with stainless steel cap, nut or earthing nut and screw m.s. zinc-plated. Each round cylinder has one silver steel key with polyamide grip GF black.

| non locking *                      | keyed 2233X | keyed different |              | non locking *       | keyed 2233X | keyed different |
|------------------------------------|-------------|-----------------|--------------|---------------------|-------------|-----------------|
| chrome-plated                      |             |                 |              | black powder-coated |             |                 |
| 1022-U48                           | 1022-U50    | 1022-U52        | Nut          | 1022-U54            | 1022-U56    | 1022-U58        |
| 1022-U49                           | 1022-U51    | 1022-U53        | Earthing nut | 1022-U55            | 1022-U57    | 1022-U59        |
| <b>Cam m.s. zinc-plated, t = 2</b> |             |                 |              |                     |             |                 |
| H = 7.5                            | 1022-20     | H = 13.5        | 1022-07      | H = 19.5            | 1022-08     |                 |

\* = IP 65

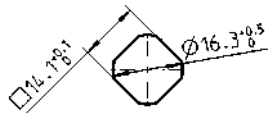
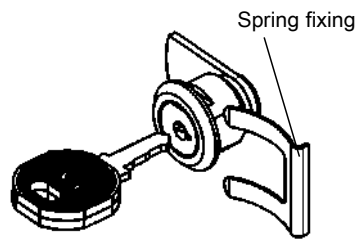
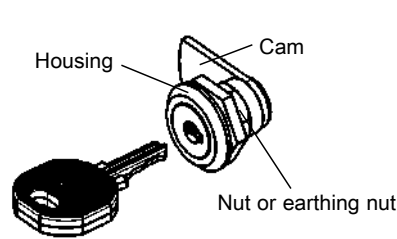
Application area:  
Small doors and flaps

Further parts see page  
– Spare key

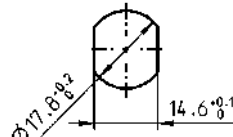
8B-140

# Cylinder quarter turn, small version

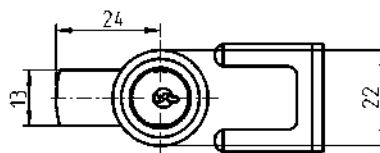
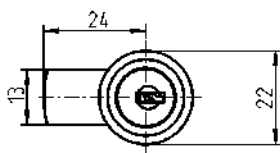
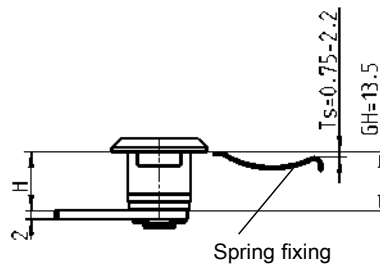
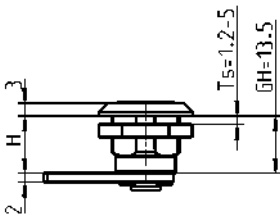
## PROGRAM 1022



Cut out for nut fixing



Cut out for spring fixing



Cylinder quarter turn material of choice, zinc die chrome plated or polyamide GF black, round cylinder zinc die with stainless steel cap, nut or earthing nut and circlip m.s. zinc-plated  
 1) with one key silver steel and polyamide GF grip black  
 2) with one key m.s. nickel plated

|                 | H    | Zinc die with nut           | Zinc die with earthing nut | Polyamide with nut |
|-----------------|------|-----------------------------|----------------------------|--------------------|
| keyed 2233X     | 7.5  | 1022-U16                    | 1022-U22                   | 1022-U65           |
|                 | 13.5 | 1022-U17                    | 1022-U23                   | 1022-U66           |
|                 | 19.5 | 1022-U18                    | 1022-U24                   | 1022-U67           |
| keyed different | 7.5  | 1022-U19                    | 1022-U25                   | 1022-U68           |
|                 | 13.5 | 1022-U20                    | 1022-U26                   | 1022-U69           |
|                 | 19.5 | 1022-U21                    | 1022-U27                   | 1022-U70           |
|                 | H    | Zinc die with spring fixing |                            |                    |
| keyed 2233X     | 7.5  | 1022-U10                    |                            |                    |
|                 | 13.5 | 1022-U11                    |                            |                    |
|                 | 19.5 | 1022-U12                    |                            |                    |
| keyed different | 7.5  | 1022-U13                    |                            |                    |
|                 | 13.5 | 1022-U14                    |                            |                    |
|                 | 19.5 | 1022-U15                    |                            |                    |

**Application area:**  
Small doors and flaps

**Further parts see page**  
– Spare key 8B-140

Info

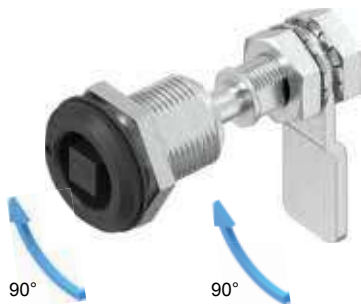
1 Quarter turns



2 Rod controls

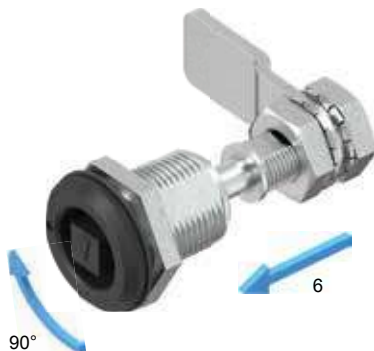


3 Locking systems



**Open condition**  
By turning the insert by 90° the cam is turned.

4 Hinges



**Closed condition**  
Further rotation of the insert by 90° moves the cam 6 mm in axial direction.

6 Handles

7 Aluminium windows



**Compressed condition**

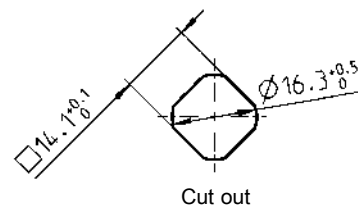
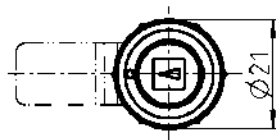
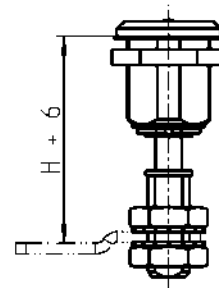
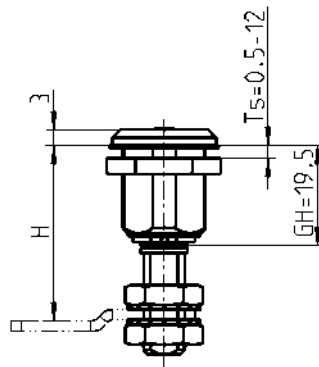
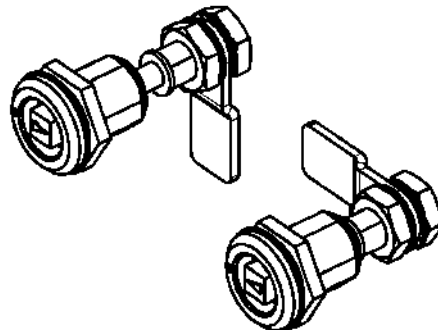
**Open:**  
Reversed motion

**Further parts see page**

- Dust cap 1A-120
- Cam 1A-240
- Key 8B-120

### Tamper and vibration proof

The compression latch is designed to be vibration-proof as such. Depending on the installation location and operational conditions, specific checks are necessary and/or supplementary measures of fastening required.



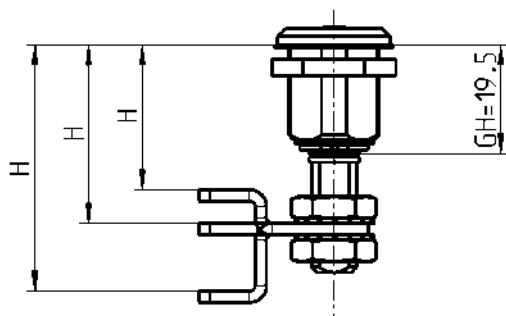
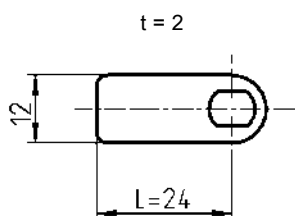
max. torque 2.5 Nm

**Housing and insert zinc die, shaft and nut m.s. zinc-plated, with spring and seal**

|                     | black powder-coated | chrome-plated |
|---------------------|---------------------|---------------|
| Square 6            | 1022-U83            | 1022-U83-IA   |
| Triangular 6.5      | 1022-U85            | 1022-U85-IA   |
| Hexagon female SW 5 | 1022-U94            | on request    |
| Slot 1.5 x 3        | 1022-U84            | 1022-U84-IA   |

Index

# Cam m.s. zinc-plated for compression latch PROGRAM 1022



straight cam



cranked cam

### Cam m.s. zinc-plated

for GH = 19.5 mm

H

GH = 19.5

straight

25.5 - 32.5

1022-49

Offset 6 mm

19.5 - 26.5; 31.5 - 38.5

1022-50

Offset 12 mm

13.5 - 20.5; 37.5 - 44.5

1022-51

### Note:

Cranked cam is reversible

### Further parts see page

– Compression latch 1A-220

Info

1 Quarter turns

2 Rod controls

3 Locking systems

4 Hinges

5 Seals

6 Handles

7 Aluminium windows

8 Miscellaneous

9 Special catalogues

Index



Patented, self-sealing design

Assembly and disassembly without tools

**Assembly instruction:**

Assembly door stop on the right: Pre-mounted insert part is inserted in the cut out when closed. Then fixed with snap-in cam.

Assembly door stop on the left: Pre-mounted insert part is inserted in the cut out when opened. Then fixed with snap-in cam.

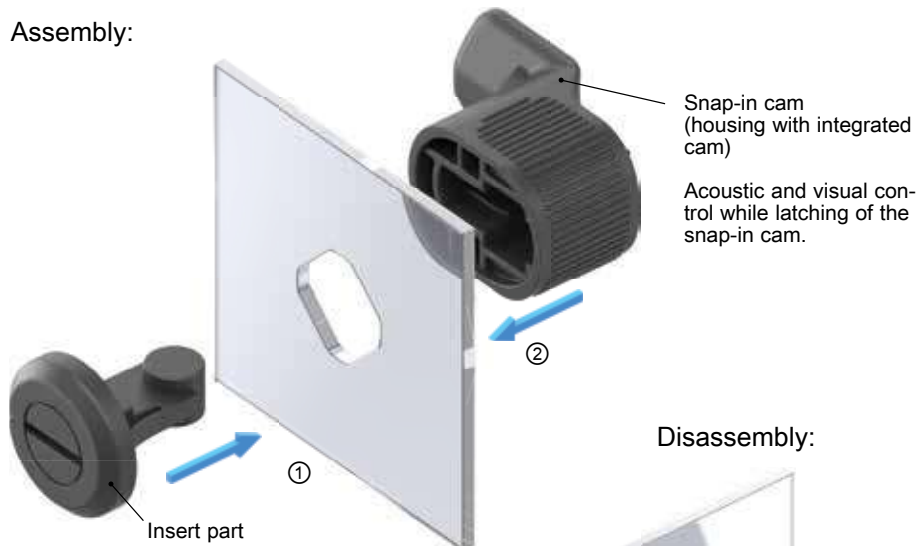
Other door thicknesses on request!

Other snap-in cams on request!

Further parts see page

– Key 8B-120

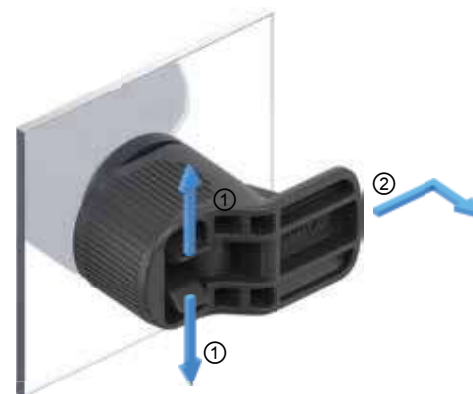
Assembly:



Snap-in cam (housing with integrated cam)

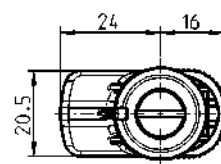
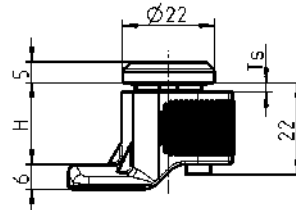
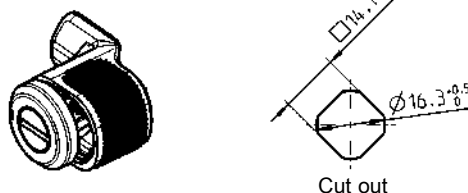
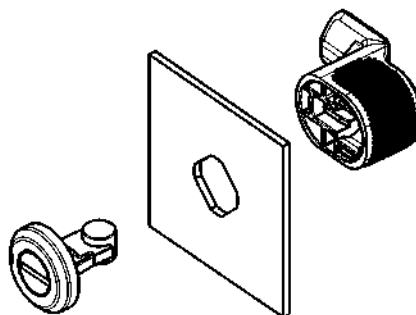
Acoustic and visual control while latching of the snap-in cam.

Disassembly:



**Note: IP 69K test passed!**

The basic principle of the patented solution is: the higher the closing force, the greater the tightness. The IP 69K Rating was achieved in the test with a cam pretension of  $\geq 1$  mm and  $\geq 65$  N



**Insert part polyamide GF black; with seal**

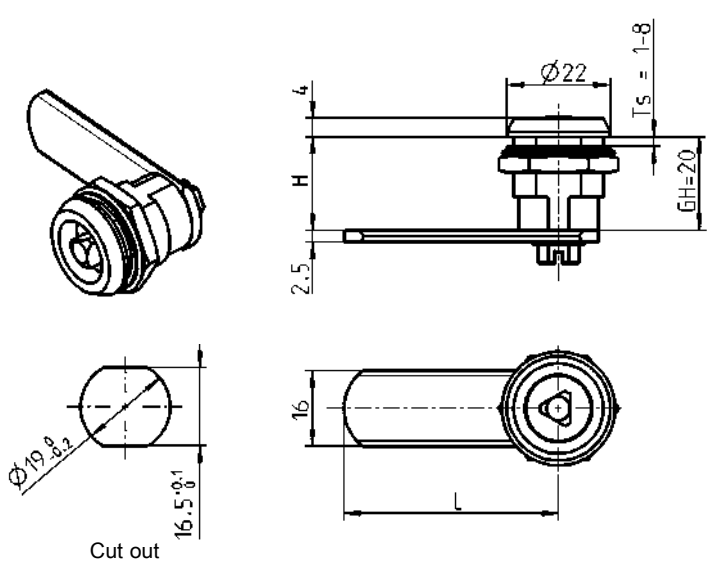
|                |          |
|----------------|----------|
| Square 6       | 1022-U89 |
| Triangular 6.5 | 1022-U90 |
| Slot 1.5 x 3   | 1022-U91 |

**Snap-in cam polyamide GF black**

| Ts                                  | H    |            |
|-------------------------------------|------|------------|
| 0.5 - 1.0 including surface coating | 7.5  | 1022-56-01 |
|                                     | 13.5 | 1022-56-02 |
|                                     | 19.5 | 1022-56-03 |
| 1.0 - 1.5 including surface coating | 7.5  | 1022-55-01 |
|                                     | 13.5 | 1022-55-02 |
|                                     | 19.5 | 1022-55-03 |
| 1.5 - 2.0 including surface coating | 7.5  | 1022-54-01 |
|                                     | 13.5 | 1022-54-02 |
|                                     | 19.5 | 1022-54-03 |

# Quarter turn with built-in options, medium version

PROGRAM 1012

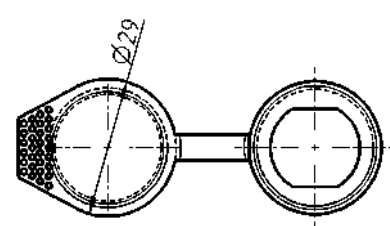
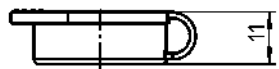
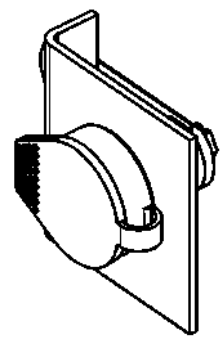


Cut out

2 in 1

Version A

Version B



This quarter turn has two options.

**Version A:**  
Push cam back using insert and turn.  
Cam snaps into place.

**Version B:**  
Turn insert.  
Quarter turn does not snap into place.

**Note:**  
The quarter turn is of a vibration-proof design. Depending on the installation location and operational conditions, specific checks are necessary and/or supplementary measures of fastening required.



**Attention:**  
When dust cap 1012-08 is used, dimension H reduces by 2 mm.

**Other inserts available on request!**

Cams with other H- and L-dimensions on request.

Complete quarter turn:  
Housing with insert zinc die nickel plated,  
nut brass, screw m.s. zinc-plated,  
with spring and seal

Key

|   |            |         |
|---|------------|---------|
| Square 7  | 1012-U2    | 1004-36 |
| Triangular 6.5                                      | 1012-U1    | 1004-21 |
| Double bit 3  | 1012-U3    | 1004-34 |
| Slot 2 x 2.5 coinproof                              | 1012-U4    | -       |
| <b>Cam m.s. zinc-plated</b>                         |            |         |
| H = 20; L = 46                                      | 1012-05    |         |
| <b>Toothed lock washer spring steel zinc-plated</b> |            |         |
|   | 1012-06-JG |         |
| <b>Dust cap polyethylene black</b>                  |            |         |
|   | 1012-08    |         |

# Quarter turns Large version Program 1000







10



11



12



13



14



15



16



13



17



18

- |    |  |                                    |
|----|--|------------------------------------|
| 1  | Quarter turn screw-on, e.g. with insert              | 1B-120 to 1B-360, 1B-680 to 1B-860 |
| 2  | Quarter turn with spring fixing, e.g. with insert    | 1B-160                             |
| 3  | Clip-in quarter turn, e.g. with wing knob            | 1B-160, 1B-760                     |
| 4  | Safety quarter turn                                  | 1B-320 to 1B-360                   |
| 5  | Quarter turn with stepped cam, e.g. with star handle | 1B-240                             |
| 6  | Radial pin-push cylinder                             | 1B-380                             |
| 7  | Cylinder quarter turn                                | 1B-420                             |
| 8  | Wing knob quarter turn                               | 1B-540                             |
| 9  | T-handle quarter turn                                | 1B-520, 1B-560                     |
| 10 | L-handle quarter turn                                | 1B-580 to 1B-640                   |
| 11 | Wing knob quarter turn for padlock                   | 1B-680                             |
| 12 | Quarter turn with insert for padlock                 | 1B-680                             |
| 13 | Compression latch                                    | 1B-220 to 1B-235                   |
| 14 | Stainless steel compression latch for hygienic areas | 1B-837                             |
| 15 | Stainless steel quarter turn for hygienic areas      | 1B-835                             |
| 16 | Wing knob quarter turn for ASSA cylinder             | 1B-840                             |
| 17 | Quarter turn, screw-on or weld-on                    | 1B-820                             |
| 18 | Quarter turn for profile half cylinder               | 1B-850                             |



**1B-100**



Quarter turn pre-assembled



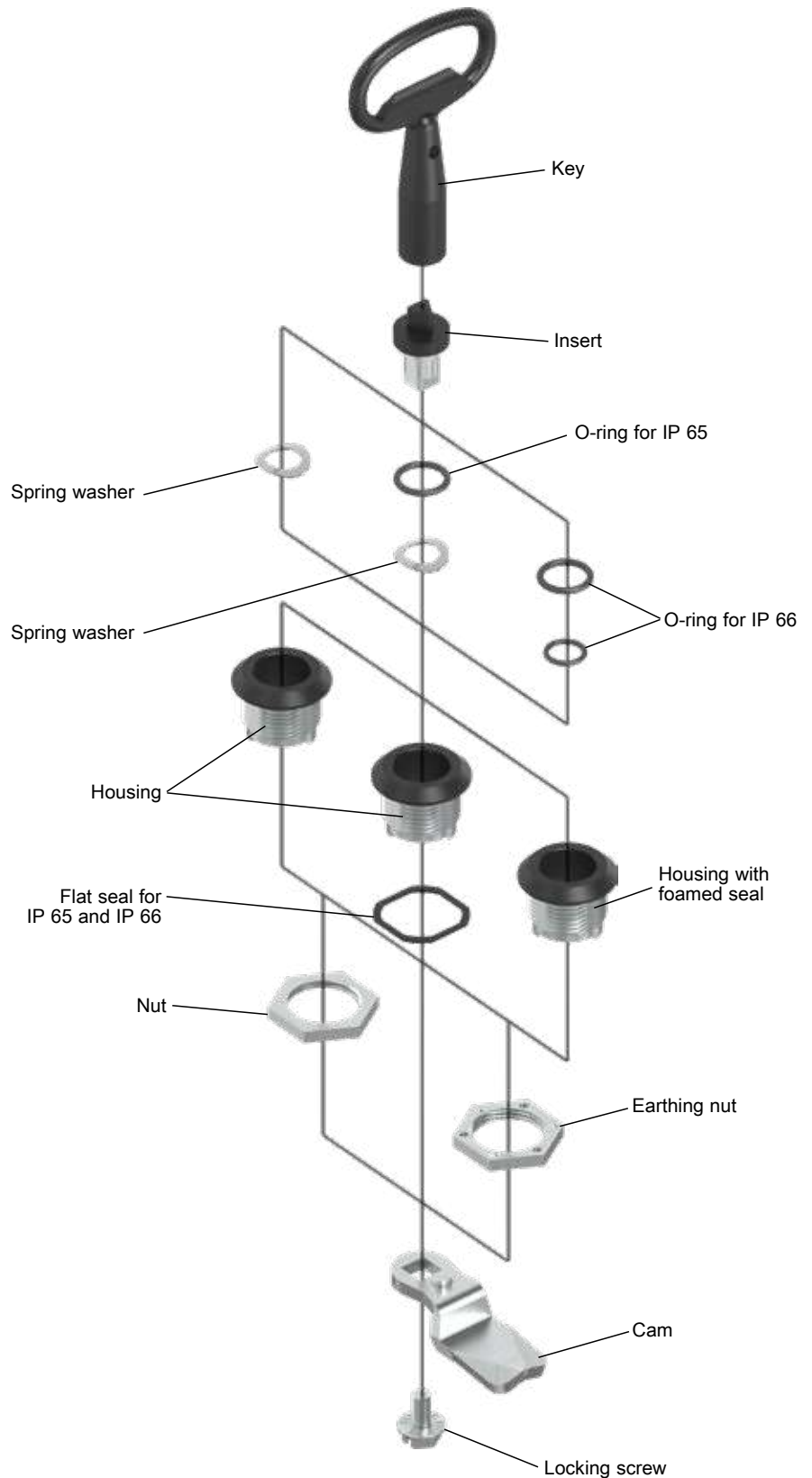
Pass through cut out



Assemble the nut



Quarter turn ready installed



#### Screw-in safety earthing quarter turn program

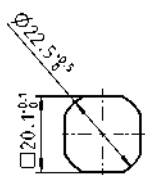
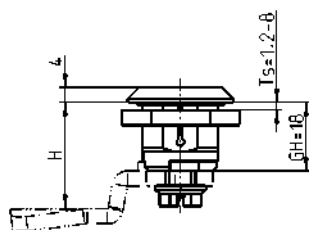
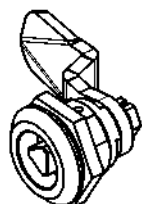
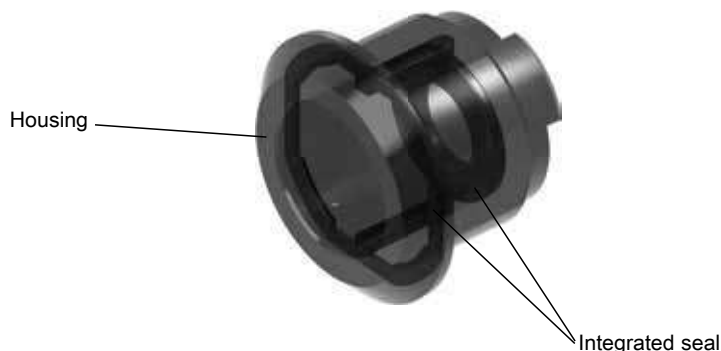
When using the illustrated earthing nut, the screw-in quarter turn complies with VDE regulation 0660/Part 5.

The earthing nut is provided with teeth and removes the lacquer coating in a limited area when tightened, thus ensuring metallic bonding.

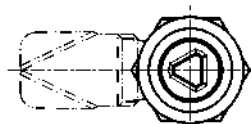
Underlaid serrated washers are no longer sufficient for the paint qualities used today.

# Quarter turn with integrated seal IP 65

## PROGRAM 1000



Cut out



Housing polyamide 6 GF 30 black with integrated TPE seal\*, nut m.s. zinc-plated

|               |             |            |
|---------------|-------------|------------|
| Head diameter | 28          | 32         |
| Head height   | 4           | 6          |
|               | 1000-U155-D | 1000-U46-D |

Insert polyamide 66 GF 50 black with screw m.s. zinc-plated

|              |              |
|--------------|--------------|
| Square 7     | 1000-U184-N2 |
| Square 8     | 1000-U185-N2 |
| Triangular 8 | 1000-U186-N2 |
| Double bit 3 | 1000-U187-N2 |
| Double bit 5 | 1000-U188-N2 |
| Slot 2 x 4   | 1000-U196-N2 |

Assembly on request

1000-990

\* The TPE seal provides protection against penetration of water, aqueous solution, alcohol, antifreeze, saline solution (15 %), sulphuric acid (98 %), hydrochloric acid and caustic soda. A very good resistance against hydrolysis is provided. With prolonged contact with oils and fuels, there is the problem of swelling or hardening. Occasional wetting with these media is unproblematic.

### Attention:

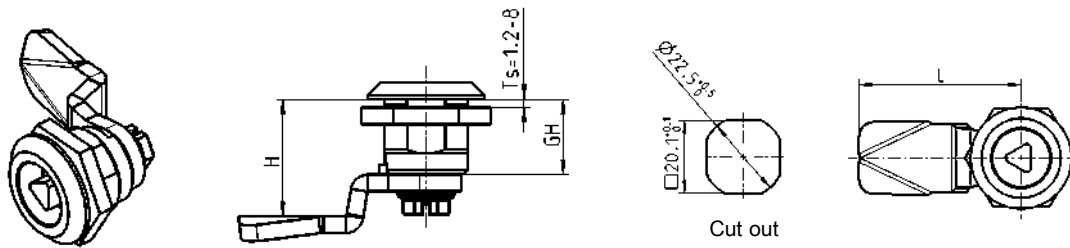
In case of assembly by the customer the insert must be lubricated (vaseline).

### Further parts see page

|                  |      |        |
|------------------|------|--------|
| – Cam with catch | to   | 1C-120 |
|                  | from | 1C-180 |
| – Accessories    |      | 3B-140 |
| – Escutcheon     |      | 8B-120 |
| – Key            |      |        |

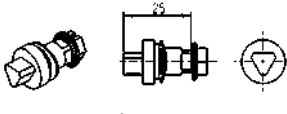
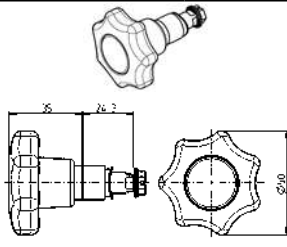
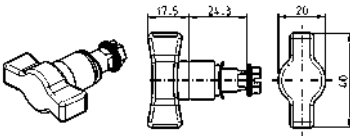
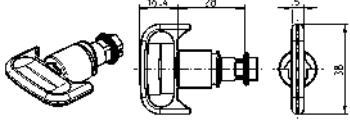
# Quarter turn, Housing GH = 18 and 30 - 60, Insert, Seal

## PROGRAM 1000



Housing material of choice, nut or earthing nut m.s. zinc-plated or nut stainless steel

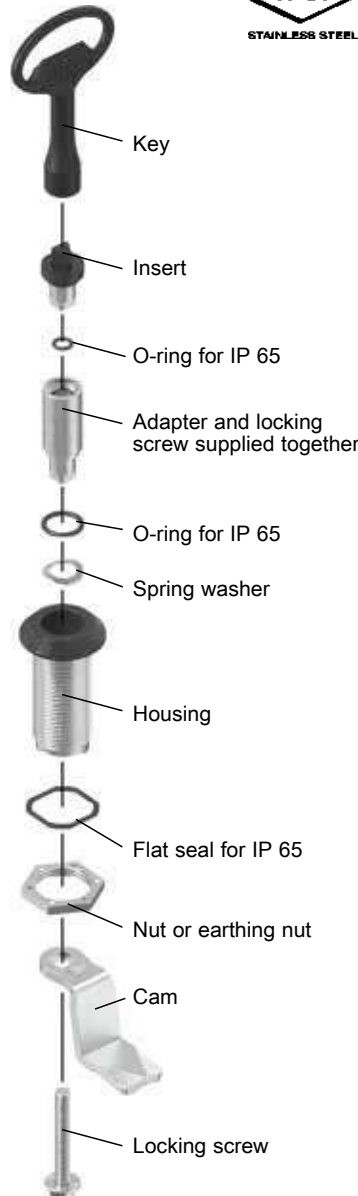
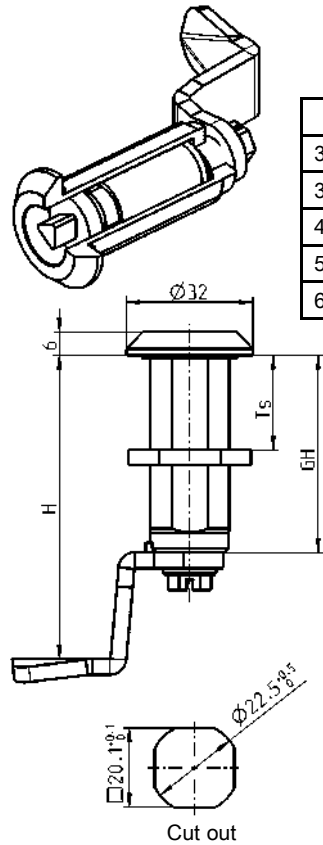
| Head diameter                                   | GH = 18 mm  |              | GH = 30 mm  |              | GH = 60 mm  |              | GH = 60 mm |              |
|---|-------------|--------------|-------------|--------------|-------------|--------------|------------|--------------|
| Head height                                     | 4           |              | 4           |              | 6           |              | 4          |              |
|   | Nut         | Earthing nut | Nut         | Earthing nut | Nut         | Earthing nut | Nut        | Earthing nut |
| Zinc die chrome-plated                          | 1000-U45    | 1000-U56     | 1000-U47    | 1000-U55     | 1000-U7     | 1000-U54     | 1000-U330  | 1000-U332    |
| Zinc die chrome-plated (with foamed seal)       | 1000-U45-G  | 1000-U56-G   | 1000-U47-G  | 1000-U55-G   | 1000-U7-G   | 1000-U54-G   | -          | -            |
| Zinc die black powder-coated                    | 1000-U223   | 1000-U224    | 1000-U221   | 1000-U222    | 1000-U219   | 1000-U220    | 1000-U331  | 1000-U333    |
| Zinc die black powder-coated (with foamed seal) | 1000-U223-G | 1000-U224-G  | 1000-U221-G | 1000-U222-G  | 1000-U219-G | 1000-U220-G  | -          | -            |
| Polyamide GF V0 black                           | 1000-U155   | -            | -           | -            | 1000-U46    | -            | -          | -            |
| Polyamide GF V0 black (with foamed seal)        | 1000-U155-G | -            | -           | -            | on request  | -            | -          | -            |
| Stainless steel AISI 303 (with foamed seal)     | 1000-U134   | -            | -           | -            | -           | -            | -          | -            |
| Stainless steel AISI 316 (with foamed seal)     | 1000-U530   | -            | -           | -            | -           | -            | -          | -            |

| Insert zinc die, polyamide or stainless steel; fixing material m.s. zinc-plated or stainless steel; with seal (only for stainless steel version) | Zinc die chrome-plated         | Zinc die black powder-coated | Polyamide 66 GF 50 black     | Stainless steel AISI 303      | Stainless steel AISI 316      |
|--|--------------------------------|------------------------------|------------------------------|-------------------------------|-------------------------------|
|  <p>Insert</p>  | Square 6                       | 1000-U17                     | 1000-U322                    | -                             | 1000-U351                     |
|  | Square 7                       | 1000-U1                      | 1000-U323                    | 1000-U184-N                   | 1000-U135                     |
|  | Square 8                       | 1000-U2                      | 1000-U324                    | 1000-U185-N                   | 1000-U136                     |
|  | Square 8 slotted               | 1000-U18                     | -                            | -                             | 1000-U352                     |
|  | Triangular 6.5 CNOMO           | 1000-U197                    | -                            | -                             | -                             |
|  <p>Star handle</p>   | Triangular 7                   | 1000-U3                      | 1000-U325                    | -                             | 1000-U334                     |
|  | Triangular 8                   | 1000-U4                      | 1000-U326                    | 1000-U186-N                   | 1000-U335                     |
|  | Triangular 9                   | 1000-U194                    | -                            | -                             | -                             |
|  | Triangular 10                  | 1000-U249                    | -                            | -                             | -                             |
|  | Double bit 3                   | 1000-U5                      | 1000-U327                    | 1000-U187-N                   | 1000-U183                     |
|  | Double bit 5                   | 1000-U6                      | 1000-U328                    | 1000-U188-N                   | 1000-U137                     |
|  | Hexagon female SW 10           | 1000-U96                     | -                            | -                             | -                             |
|  <p>Wing knob ①</p>  | Square female 6                | 1000-U168                    | -                            | -                             |                               |
|  | Square female 7                | 1000-U182                    | -                            | -                             |                               |
|  | Square female 8                | 1000-U169                    | -                            | -                             |                               |
|  | Daimler Benz                   | 1000-U20                     | -                            | -                             |                               |
|  | Slot 1.2 x 3                   | 1000-U195                    | -                            | -                             |                               |
|  | Slot 2 x 4                     | 1000-U142                    | 1000-U329                    | 1000-U196-N                   | 1000-U630                     |
|  | Slot 2 x 4 coinproof           | 1000-U738                    | 1000-U739                    | -                             | -                             |
|  | Crown type                     | 1000-U336                    | -                            | -                             | -                             |
|  | Eastern Europe Ø 13 half-round | 1000-U509                    | -                            | -                             | 1000-U729                     |
|  | Hexagon female 8 with pin      | 1000-U757                    | -                            | -                             | 1000-U757-01                  |
|  <p>Wing knob ②</p>  |                                |                              | Zinc die black powder-coated | Polyamide GF / Zinc die black | Polyamide GF black / AISI 303 |
|  | Star handle                    | -                            | -                            | 1000-U13                      | 1000-U138                     |
|  | Wing knob ①                    | -                            | -                            | 1000-U78                      | 1000-U510                     |
| Wing knob ②  | -                              | -                            | 1000-U910                    | -                             |                               |

### Assembly instruction



| GH    | Ts              |
|-------|-----------------|
| 30 mm | 1.5 mm to 20 mm |
| 36 mm | 1.5 mm to 26 mm |
| 40 mm | 1.5 mm to 30 mm |
| 50 mm | 1.5 mm to 40 mm |
| 60 mm | 1.5 mm to 50 mm |



| IP 65 achieved by:  |           |
|---------------------|-----------|
| ** Flat seal        | 1000-23   |
| ** O-Ring           | 1000-24   |
| IP 66 achieved by:  |           |
| Seal set            | 1000-U769 |
| IP 69K achieved by: |           |
| * Seal set          | 1000-U841 |
| Assembly on request |           |
| without O-ring      | 1000-990  |
| with O-ring         | 1000-991  |



Housing material of choice; nut or earthing nut m.s. zinc-plated or nut stainless steel; adapter zinc die or AISI 303; screw m.s. zinc-plated or stainless steel

| GH in mm  | Zinc die chrome-plated |              | Zinc die black powder-coated |              | Polyamide black Nut | AISI 316 / 303 Nut |
|-----------|------------------------|--------------|------------------------------|--------------|---------------------|--------------------|
|           | Nut                    | Earthing nut | Nut                          | Earthing nut |                     |                    |
| 30        | 1000-U51               | 1000-U65     | 1000-U225                    | 1000-U226    | 1000-U876           | 1000-U878          |
| - Adapter |                        |              | 1000-U164                    |              |                     | 1000-U879          |
| 36        | 1000-U246              | 1000-U248    | 1000-U317                    | 1000-U318    | -                   | -                  |
| - Adapter |                        |              | 1000-U198                    |              |                     | -                  |
| 40        | 1000-U66               | 1000-U67     | 1000-U227                    | 1000-U228    | 1000-U737           | -                  |
| - Adapter |                        |              | 1000-U165                    |              |                     | -                  |
| 50        | 1000-U68               | 1000-U69     | 1000-U229                    | 1000-U230    | 1000-U736           | -                  |
| - Adapter |                        |              | 1000-U166                    |              |                     | -                  |
| 60        | 1000-U504              | 1000-U505    | 1000-U506                    | 1000-U507    | -                   | -                  |
| - Adapter |                        |              | 1000-U535                    |              |                     | -                  |

\*\* included in case of stainless st. version

\* Seal set only available completely assembled with housing, insert and cam

**Note:**  
Quarter turn assembly 1B-105

**Further parts see page**  
- Housing 1B-760  
1B-680  
1B-820

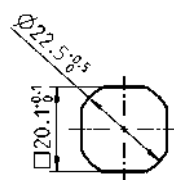
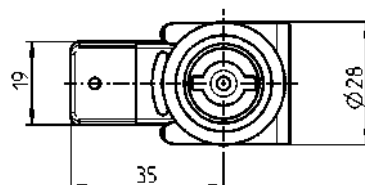
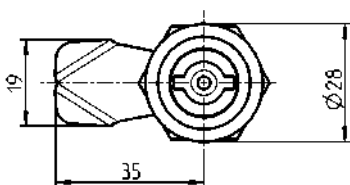
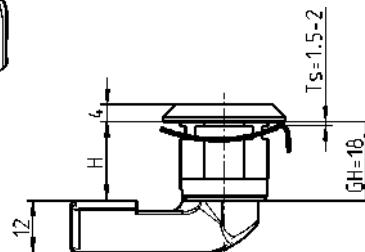
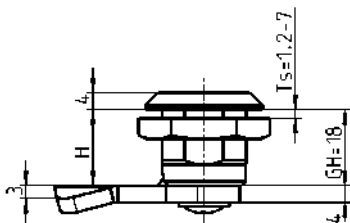
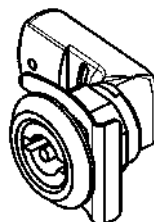
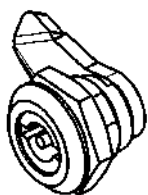
- Quarter turn with stepped cam 1B-240  
- Cam with catch 1C-120  
to 1C-180  
- Accessories from 1C-170  
- Insert with wing knob 1B-720  
- Escutcheon 3B-140  
- Prominent door lock 8A-220  
8B-120

# Plastic quarter turn

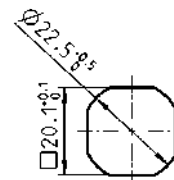
## PROGRAM 1000

### Nut fixing

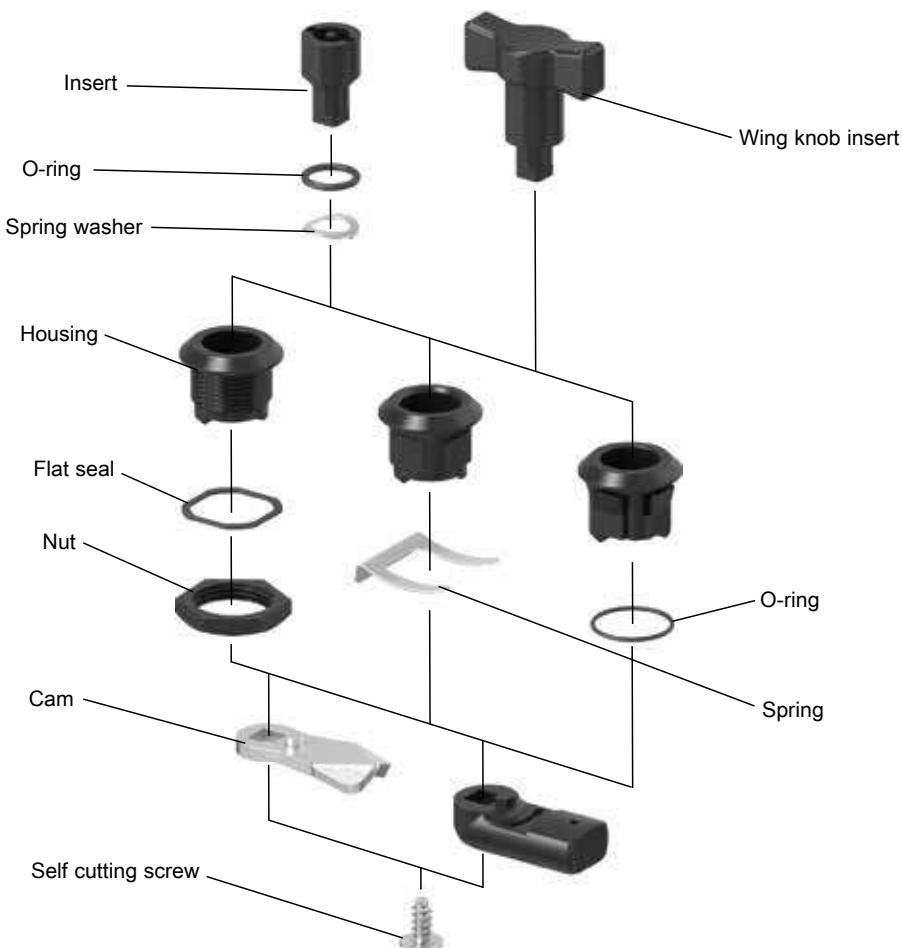
### Spring fixing



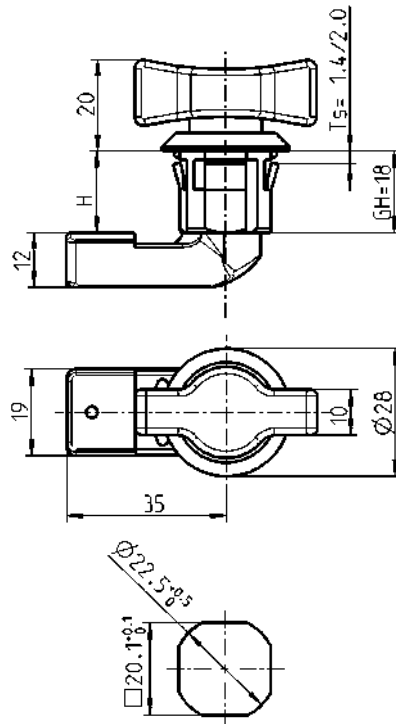
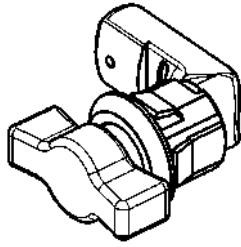
Cut out



Cut out



### Clip-in fixing



Cut out



| Housing polyamide GF black with nut or spring fixing AISI 301                 |                         | Housing polyamide black with O-ring |           |
|---|-------------------------|-------------------------------------|-----------|
| *Nut fixing   | Spring fixing           | Ts                                  | clip-in   |
| 1000-U675   | 1000-U709               | 1.4 *                               | 1000-U695 |
|   |                         | 2.0                                 | 1000-U696 |
| Insert polyamide black, spring washer and self cutting screw m.s. zinc-plated |                         |                                     |           |
| Square 7  |                         |                                     | 1000-U666 |
| Square 8  |                         |                                     | 1000-U676 |
| Triangular 8  |                         |                                     | 1000-U667 |
| Double bit 3  |                         |                                     | 1000-U677 |
| Double bit 5  |                         |                                     | 1000-U678 |
| Slot 2 x 4  |                         |                                     | 1000-U679 |
| Eastern Europe Ø 13 half-round  |                         |                                     | 1000-U680 |
| Wing knob insert (IP 50) IP 65 on request                                     |                         |                                     | 1000-U711 |
| Cam material of choice  |                         |                                     |           |
| H   | m.s. zinc-plated, t = 4 | Polyamide black                     |           |
| 18  | 1000-5046               | 1000-386-18                         |           |
| 20  | 1000-5161               | 1000-386-20                         |           |
| 22  | 1000-5119               | 1000-386-22                         |           |
| 24  | -                       | 1000-386-24                         |           |
| 28  | 1000-5164               | 1000-386-28                         |           |
| 30  | -                       | 1000-386-30                         |           |
| IP 65 (*see housing) achieved by:   |                         |                                     |           |
| Flat seal (nut fixing only)   |                         | 1000-23                             |           |
| O-ring  |                         | 1000-24                             |           |

**Note:**  
Quarter turn assembly 1B-105

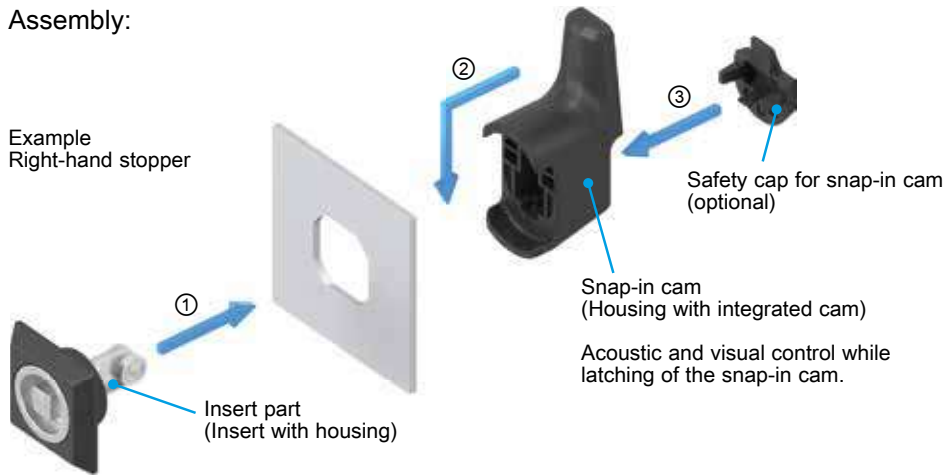
**Further parts see page**  
 – Insert with wing knob 1B-720  
 – Finger pull (nut fixing only) 1C-320  
 – Dust cap (nut fixing only) 1C-320  
 – Key 8B-120

# Quarter turn for assembly without tools

## PROGRAM 1000

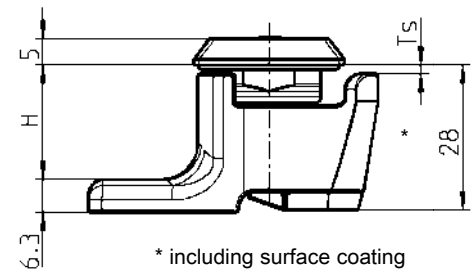
Assembly:

Example  
Right-hand stopper



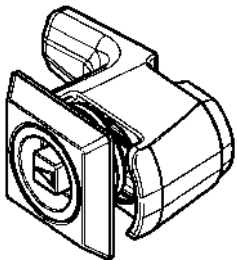
### Product benefits

- Cost savings due to toolless assembly within seconds
- Smooth handling (conceptually no internal tension)
- Safety cap optional
- Self-sealing construction for highest protection requirements
- High overwinding safety
- Standard cut out
- Patented



### Version 1

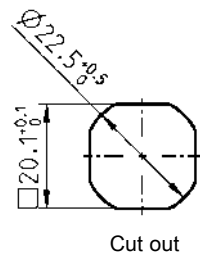
Assembly instruction



Door LH version

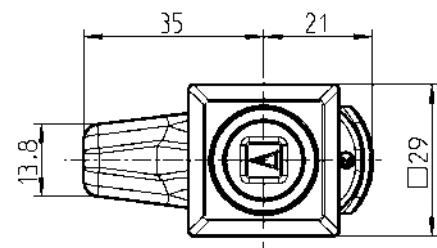


Door RH version



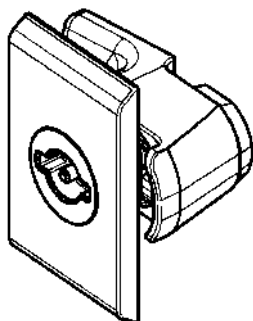
Cut out

### Version 1

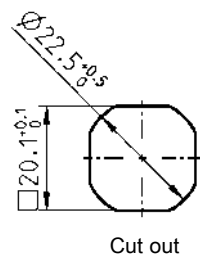


### Version 2

Assembly instruction

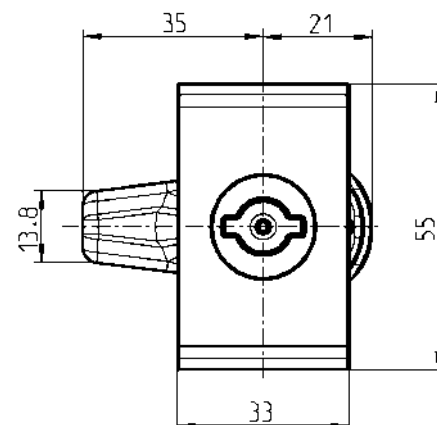


Door RH version



Cut out

### Version 2





Version 2  
Disassembly instructions



Version 2  
Conversion instructions for change of stopper



1 Quarter turns

2 Rod controls

3 Locking systems

4 Hinges

5 Seals

6 Handles

7 Aluminium windows

8 Miscellaneous

9 Special catalogues

Index

### Housing insert unit

Version 1: Housing polyamide GF black with foamed seal  
Version 2: Housing plate polyamide GF black with integrated TPE seal;  
90° stopper polyamide GF black for version 2;  
insert zinc die with O-ring

|                                       | Version 1 <sup>Ⓐ</sup> | Version 2 <sup>Ⓑ</sup> |
|---------------------------------------|------------------------|------------------------|
| Ⓐ = Foamed seal<br>Ⓑ = TPE seal       |                        |                        |
| Square 7                              | 1000-U902              | 1000-U914              |
| Square 8                              | 1000-U903              | 1000-U915              |
| Square 8 with thread M6 for wing knob | 1000-U908              | on request             |
| Triangular 8                          | 1000-U904              | 1000-U916              |
| Double bit 3                          | 1000-U905              | 1000-U913              |
| Slot 2 x 4                            | 1000-U907              | 1000-U917              |

### Snap-in cam polyamide GF black

| H  | Ts = 1.0 - 1.5 * | Ts = 1.5 - 2.0 * | Ts = 2.5 - 3.0 * |
|----|------------------|------------------|------------------|
| 18 | 1000-590         | 1000-591         | 1000-593         |
| 22 | 1000-594         | 1000-595         | 1000-597         |
| 24 | 1000-598         | 1000-599         | 1000-601         |

### Safety cap for snap-in cam polyamide black

|  |          |
|--|----------|
|  | 1000-603 |
|--|----------|

### Housing

Version 2: Housing plate polyamide GF silver grey metallic with integrated TPE seal;  
90° stopper polyamide GF silver grey metallic

|  | Version 2 |
|--|-----------|
|  | 1000-U972 |

### Insert zinc die with O-ring

|                                       |           |
|---------------------------------------|-----------|
| Square 7                              | 1000-U973 |
| Square 8                              | 1000-U974 |
| Square 8 with thread M6 for wing knob | 1000-U975 |
| Triangular 8                          | 1000-U976 |
| Double bit 3                          | 1000-U977 |
| Slot 2 x 4                            | 1000-U978 |

### Snap-in cam polyamide GF silver grey metallic

| H  | Ts = 1.0 - 1.5 * | Ts = 1.5 - 2.0 * | Ts = 2.5 - 3.0 * |
|----|------------------|------------------|------------------|
| 18 | 1000-590-CX      | 1000-591-CX      | 1000-593-CX      |
| 22 | 1000-594-CX      | 1000-595-CX      | 1000-597-CX      |
| 24 | 1000-598-CX      | 1000-599-CX      | 1000-601-CX      |

### Safety cap for snap-in cam polyamide silver grey metallic

|  |            |
|--|------------|
|  | on request |
|--|------------|

Version 1



Version 2



Version 2



\* including surface coating

Further parts see page  
– Wing knob for insert 1B-720  
– Key 8B-120

Info

1 Quarter turns

2 Rod controls

3 Locking systems

4 Hinges

5 Seals

6 Handles

7 Aluminium windows

8 Miscellaneous

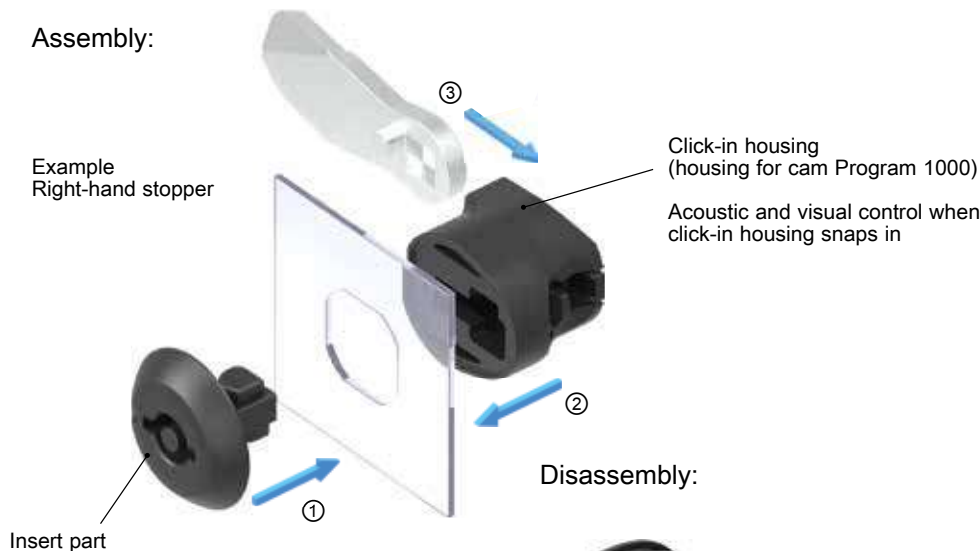
9 Special catalogues

Index



Assembly:

Example  
Right-hand stopper



Click-in housing  
(housing for cam Program 1000)

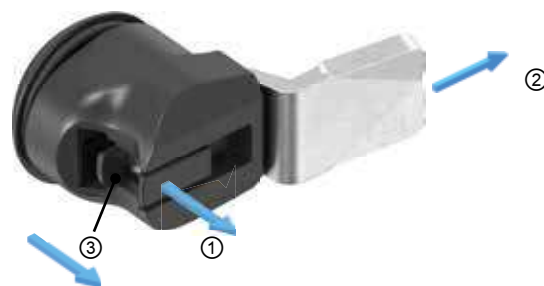
Acoustic and visual control when  
click-in housing snaps in

Disassembly:

Insert part

Patented, self-sealing design

Assembly and disassembly without tools



#### Product benefits

- Cost savings due to toolless assembly within seconds
- Alternatively available with polyamide or steel cam
- Suitable for many standard cams
- Clamping force with steel cam corresponds to EMKA standard quarter turn made of zinc die
- Smooth handling (conceptually no internal tension)
- Self-sealing construction for highest protection requirements (design immanent)
- High overwinding safety
- Standard cut out
- Patented

#### Assembly instruction:

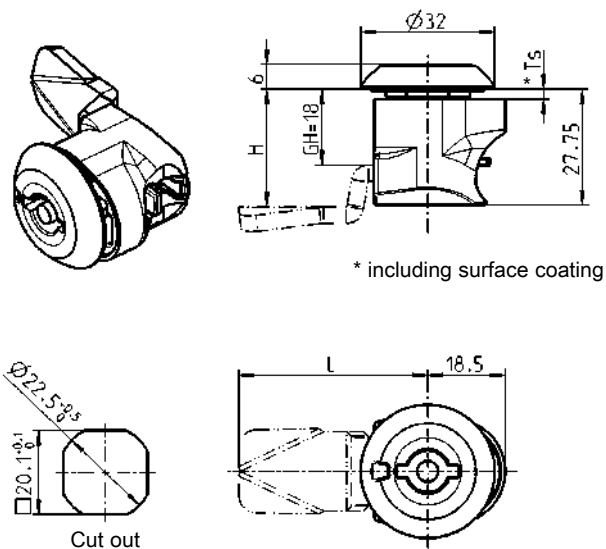
Assembly door stop on the right: Pre-mounted insert part is inserted in the cut out when closed. Then fixed with click-in housing.

Assembly door stop on the left: Pre-mounted insert part is inserted in the cut out when opened. Then fixed with click-in housing.

#### Other door thicknesses on request!

#### Further parts see page

- Cam (Version 1, GH = 18) 1C-120
- Key 8B-120



\* including surface coating

Cut out

#### Insert part polyamide GF black; with seal

|              |            |
|--------------|------------|
| Square 7     | 1000-U883  |
| Square 8     | on request |
| Triangular 8 | on request |
| Double bit 3 | 1000-U895  |
| Double bit 5 | 1000-U873  |
| Slot 1.5 x 3 | on request |

#### Click-in housing polyamide GF black, for cam Program 1000

|   |             |
|---|-------------|
| Ts = 0.5 - 1.0 mm incl. surface coating | 1000-551-02 |
| Ts = 1.0 - 1.5 mm incl. surface coating | 1000-551-01 |
| Ts = 1.5 - 2.0 mm incl. surface coating | 1000-551    |

# Compression latch

## PROGRAM 1000

### Tamper and vibration-proof

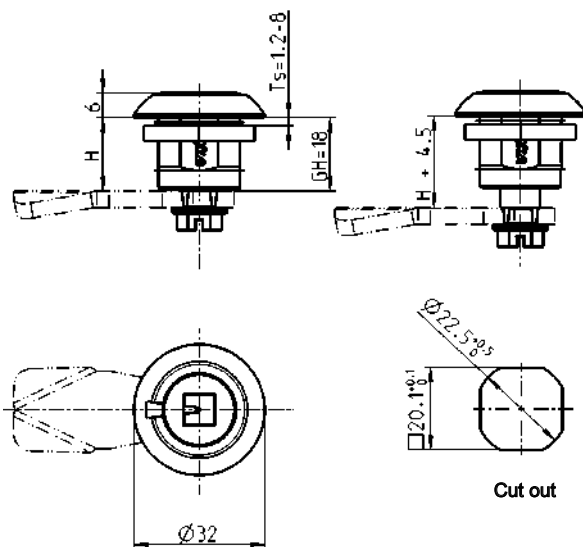
The compression latch is designed to be vibration-proof as such. Depending on the installation location and operational conditions, specific checks are necessary and/or supplementary measures of fastening required.



for stainless steel version

#### Product benefits

- Compact design
- Compatible with other quarter turns with GH = 18 mm
- Fire protection according to DIN EN 45545-2 with E20
- Short housing GH = 18 mm
- Foamed seal
- Standard cut out



**Open condition**  
Turning the insert 90° causes the cam to rotate.



**Closed condition**  
The second 90° of rotation of the insert draws the cam toward the door 4.5 mm axially.



**Compressed condition**

**Open:**  
Reversed motion

**Further parts see page**

- Cam without catch from 1C-120
- (not for cam with rod control) from 1C-320
- Accessories from 1C-320
- Escutcheon 3B-140
- Key 8B-120

Housing and insert material of choice; nut and screw m.s. zinc-plated or stainless steel; with spring and seal

| Further insert variants on request | Zinc die black powder-coated | Zinc die chrome-plated | AISI 316     |
|------------------------------------|------------------------------|------------------------|--------------|
| Square 7                           | on request                   | 1000-U859-IA           | 1000-U859-PH |
| Square 8                           | 1000-U852                    | 1000-U852-IA           | 1000-U852-PH |
| Triangular 7                       | on request                   | 1000-U864-IA           | 1000-U864-PH |
| Triangular 8                       | 1000-U853                    | on request             | 1000-U853-PH |
| Double bit 3                       | 1000-U854                    | on request             | 1000-U854-PH |
| Double bit 5                       | 1000-U855                    | on request             | 1000-U855-PH |
| Slot 2 x 4                         | on request                   | on request             | 1000-U985-PH |
| Railway                            | 1000-U856                    | on request             | 1000-U856-PH |

# Compression latch PROGRAM 1000

Info

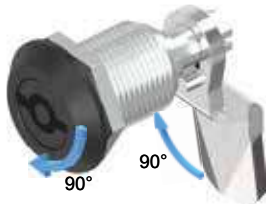
1 Quarter turns



2 Rod controls



3 Locking systems



**Open condition**  
Turning the insert 90° causes the cam to rotate.

4 Hinges



**Closed condition**  
Further rotation of the insert by 90° moves the cam 6 mm in axial direction.

6 Handles

7 Aluminium windows



**Compressed condition**  
**Open:**  
Reversed motion

8 Miscellaneous

9 Special catalogues

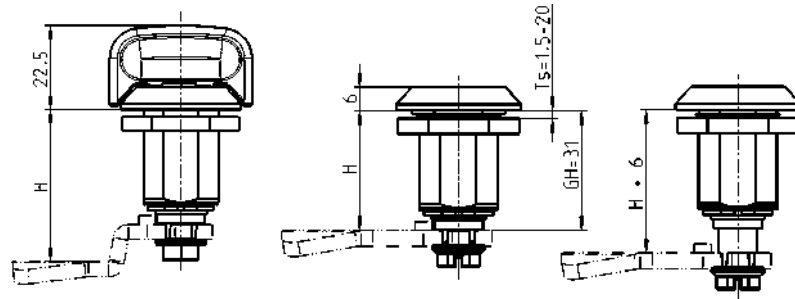
**Further parts see page**  
– Cam with or without catch from 1C-120 (not for cam with rod control)  
– Accessories from 1C-320  
– Escutcheon 3B-140  
– Key 8B-120

Index



**Tamper and vibration-proof**

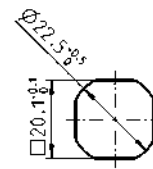
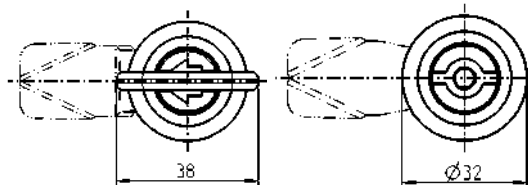
The compression latch is designed to be vibration-proof as such. Depending on the installation location and operational conditions, specific checks are necessary and/or supplementary measures of fastening required.



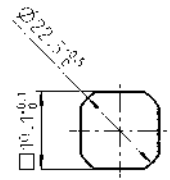
Housing with marking on request



for stainless steel version



Cut out version 1



Cut out version 2

### Cut out version 1

Housing and insert zinc die black powder-coated or AISI 316; nut and screw m.s. zinc-plated or stainless steel; with spring and seal

| Further insert variants on request | Zinc die black powder-coated | AISI 316     |
|------------------------------------|------------------------------|--------------|
| Square 7 with arrow                | 1000-U796                    | on request   |
| Square 8                           | 1000-U755                    | on request   |
| Square 8 with arrow                | 1000-U798                    | on request   |
| Square 8 with marking              | on request                   | 1000-U755-01 |
| Triangular 7                       | 1000-U795                    | on request   |
| Triangular 8                       | 1000-U783                    | on request   |
| Double bit 3                       | 1000-U749                    | 1000-U749-01 |
| Double bit 5                       | 1000-U748                    | 1000-U748-01 |
| Hexagon female SW 8                | 1000-U807                    | on request   |
| Hexagon female SW 8 with pin       | 1000-U805                    | on request   |
| Hexagon female SW 10               | 1000-U809                    | on request   |
| Square female 8                    | 1000-U811                    | on request   |
| Slot 2 x 4                         | 1000-U777                    | 1000-U777-01 |
| Insert railway                     | 1000-U831                    | 1000-U831-01 |
| Wing knob insert                   | 1000-U882                    | on request   |

### Cut out version 2

Housing and insert zinc die black powder-coated or AISI 316; nut and screw m.s. zinc-plated or stainless steel; with spring and seal

| Further insert variants on request | Zinc die black powder-coated | AISI 316     |
|------------------------------------|------------------------------|--------------|
| Square 8                           | 1000-U981                    | on request   |
| Square 8 with marking              | on request                   | 1000-U981-01 |
| Double bit 3                       | 1000-U982                    | on request   |
| Double bit 5                       | 1000-U983                    | on request   |

# Compression latch with adjustable cam height

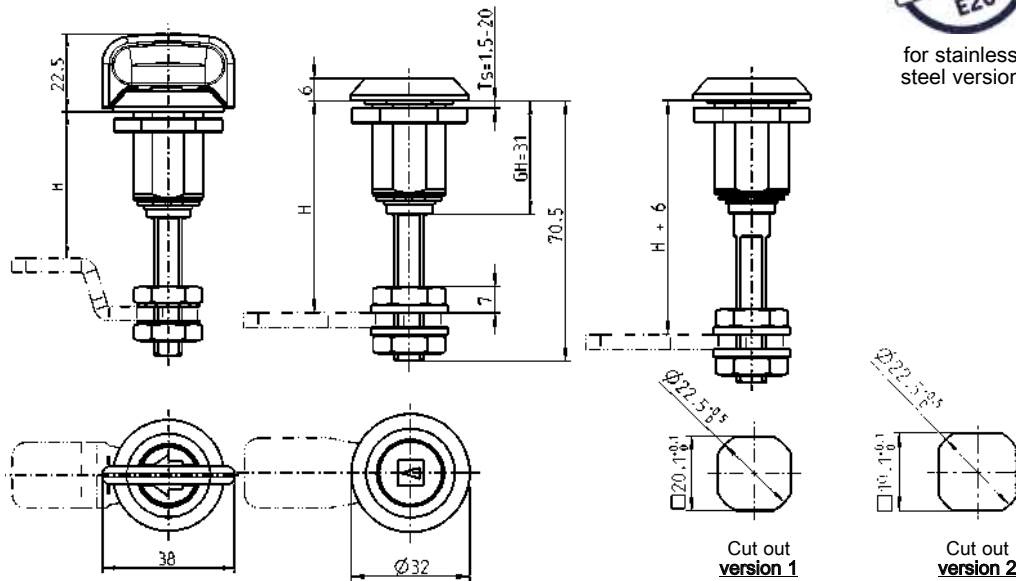
## PROGRAM 1000

### Tamper and vibration-proof

The compression latch is designed to be vibration-proof as such. Depending on the installation location and operational conditions, specific checks are necessary and/or supplementary measures of fastening required.



for stainless steel version



#### Cut out version 1

Compression latch with adjustable cam height  
Housing and insert zinc die black powder-coated or AISI 316;  
locking shaft zinc die or m.s. zinc-plated or AISI 316;  
nuts and washers m.s. zinc-plated or AISI 316; with spring and seal

Further insert variants on request

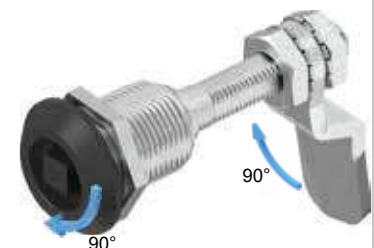
| Further insert variants on request   | Housing and insert<br>zinc die black powder-coated |                           | Housing<br>and insert<br>AISI 316 |
|--------------------------------------|--|---------------------------|-----------------------------------|
|                                      | Locking shaft<br>zinc die                          | Shaft<br>m.s. zinc-plated | Shaft AISI 316                    |
| Square 7 with arrow                  | 1000-U786  | 1000-SU720                | on request                        |
| Square 8 with arrow                  | 1000-U799  | 1000-SU861                | 1000-U755-02                      |
| Triangular 7                         | 1000-U794  | 1000-SU724                | on request                        |
| Triangular 8                         | 1000-U802  | 1000-SU725                | on request                        |
| Double bit 3                         | 1000-U803  | 1000-SU730                | on request                        |
| Double bit 5                         | 1000-U804  | 1000-SU752                | on request                        |
| Hexagon male SW 11.1<br>with marking | 1000-U816  | 1000-SU324                | on request                        |
| Hexagon female SW 8                  | 1000-U808  | 1000-SU735                | on request                        |
| Hexagon female SW 8 with pin         | 1000-U806  | 1000-SU733                | on request                        |
| Hexagon female SW 10                 | 1000-U810  | on request                | on request                        |
| Square female 8                      | 1000-U812  | on request                | on request                        |
| Slot 2 x 4                           | 1000-U813  | on request                | on request                        |
| Insert railway                       | 1000-U832  | on request                | 1000-U831-02                      |
| Tube with marking                    | 1000-U830  | 1000-SU736                | on request                        |
| Wing knob insert                     | 1000-U880  | on request                | on request                        |

#### Cut out version 2

Housing and insert zinc die black powder-coated or AISI 316;  
locking shaft zinc die or m.s. zinc-plated or AISI 316;  
nuts and washers m.s. zinc-plated or AISI 316; with spring and seal

Further insert variants on request

| Further insert variants on request | Housing and insert<br>zinc die black powder-coated |                           | Housing<br>and insert<br>AISI 316 |
|------------------------------------|--|---------------------------|-----------------------------------|
|                                    | Locking shaft<br>zinc die                          | Shaft<br>m.s. zinc-plated | Shaft<br>AISI 316                 |
| Square 8 with arrow                | on request   | 1000-SU1167               | on request                        |



**Open condition**  
Turning the insert 90° causes the cam to rotate.



**Closed condition**  
Further rotation of the insert by 90° moves the cam 6 mm in axial direction.



**Compressed condition**

**Open:**  
Reversed motion

**Note:**  
Only cams without catch can be used.

**Further parts see page**  
 – Cam (GH = 31) 1C-137  
 – Accessories from 1C-320  
 – Escutcheon 3B-140  
 – Key 8B-120



# Stainless steel and hybrid (aluminium and stainless steel) compression latch with marking

## PROGRAM 1000

### Tamper and vibration-proof

The compression latch is designed to be vibration-proof as such. Depending on the installation location and operational conditions, specific checks are necessary and/or supplementary measures of fastening required.

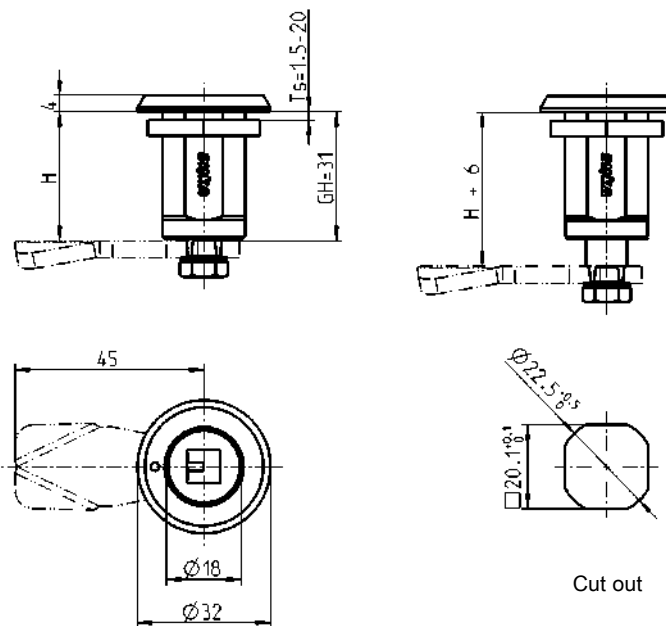


Stainless steel

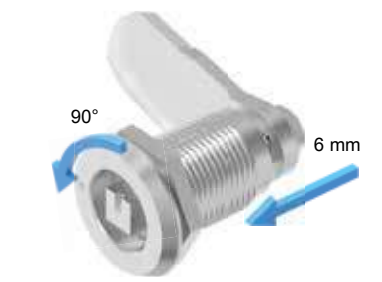


Stainless steel and aluminium

Additional IP protection during cleaning work inside possible with flat seal 1000-570 (self-adhesive). This seal is included with -SU part no.



**Open condition**  
Turning the insert 90° causes the cam to rotate.



**Closed condition**  
Further rotation of the insert by 90° moves the cam 6 mm in axial direction.



**Compressed condition**  
**Open:**  
Reversed motion

**Further parts see page**  
– Cam without catch 1C-120 (not for cam with rod control)  
– Accessories from 1C-320  
– Key 8B-120

| Stainless steel compression latch with marking<br>Housing and insert AISI 316; nut and screw stainless steel; with spring and seal   |                   |                    |
|--|-------------------|--------------------|
| Further insert variants on request   | Left-hand version | Right-hand version |
| Square 7   | 1000-SU925-LIPH   | 1000-SU925-REPH    |
| Square 8   | 1000-U865-LIPH    | 1000-U865-REPH     |
| Triangular 7   | 1000-SU925-02LIPH | on request         |
| Triangular 8   | 1000-U911-LIPH    | 1000-SU925-01REPH  |
| Hexagon male SW 10   | 1000-U869-LIPH    | 1000-U869-REPH     |
| Insert railway   | 1000-U870-LIPH    | 1000-U870-REPH     |
| Insert railway with outer rack   | 1000-SU925-03LIPH | 1000-SU925-03REPH  |
| Hybrid (aluminium and stainless steel) compression latch with marking<br>Housing aluminium anodized; insert AISI 316;<br>nut and screw stainless steel; with spring and seal |                   |                    |
| Square 7   | 1000-U968-LI      | 1000-U968-RE       |
| Square 8   | 1000-U968-04LI    | 1000-U968-04RE     |
| Triangular 6.5   | 1000-SU1186-02LI  | on request         |
| Triangular 7   | 1000-U968-02LI    | on request         |
| Triangular 8   | 1000-U968-01LI    | 1000-U968-01RE     |
| Hexagon male SW 10   | 1000-U968-05LI    | 1000-U968-05RE     |
| Insert railway   | 1000-U968-06LI    | 1000-U968-06RE     |
| Insert railway with outer rack   | 1000-U968-03LI    | 1000-U968-03RE     |

# Compression latch with handle and fixed or adjustable cam height

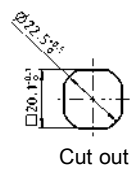
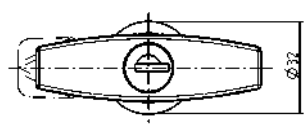
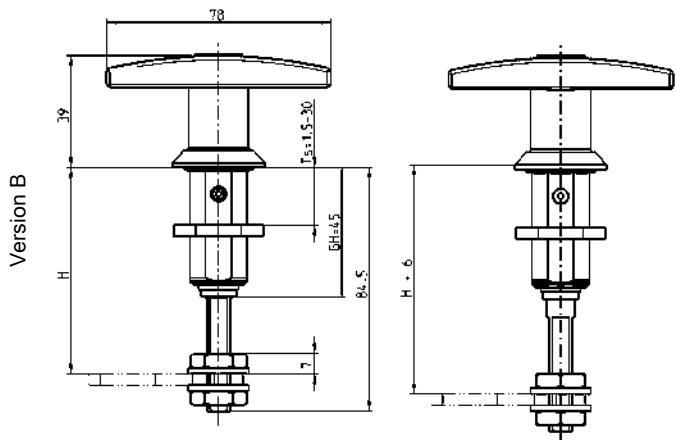
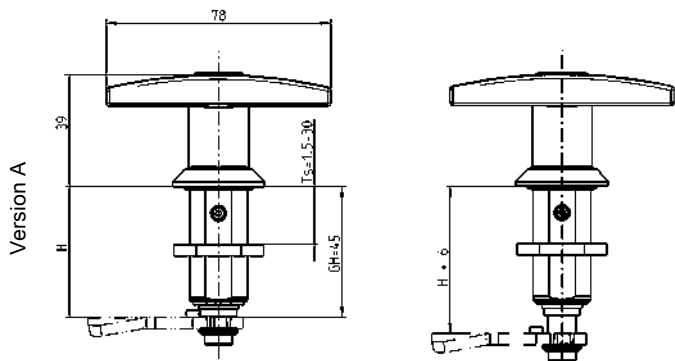
## PROGRAM 1000

**Example:**  
Compression latch with T-handle

### Compression latch with T-handle



**Open condition**  
Turning the handle by 90° causes the cam to rotate.



Cut out



**Closed condition**  
Further rotation of the handle by 90° moves the cam 6 mm in axial direction.

**Note:**  
For version B only cams without catch can be used!

#### Tamper and vibration-proof

The compression latch is designed to be vibration-proof as such. Depending on the installation location and operational conditions, specific checks are necessary and/or supplementary measures of fastening required.

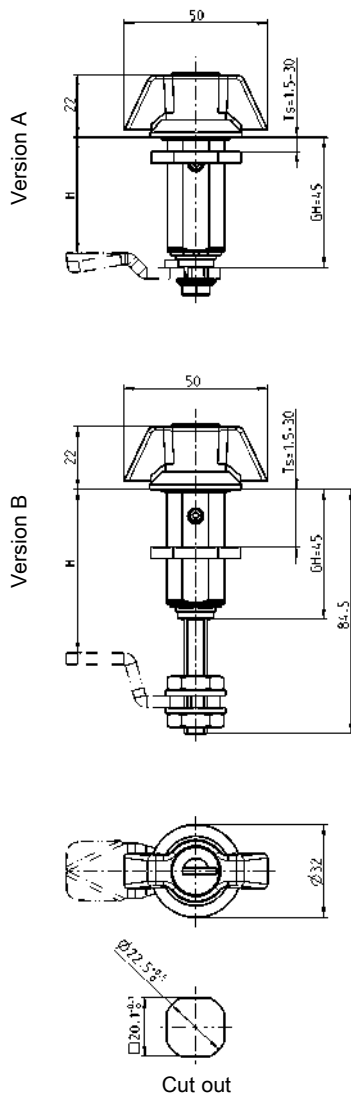


**Compressed condition**  
Key removable  
**Open:**  
Reversed motion

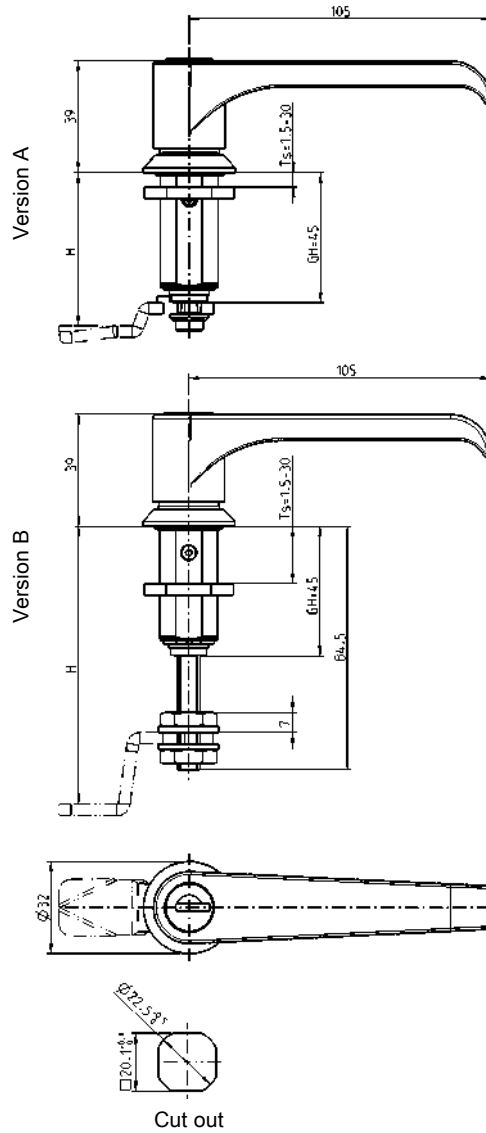
Info  
1 Quarter turns  
2 Rod controls  
3 Locking systems  
4 Hinges  
5 Seals  
6 Handles  
7 Aluminium windows  
8 Miscellaneous  
9 Special catalogues  
Index



### Compression latch with wing knob



### Compression latch with L-handle



Stainless steel version on request.

Handle and housing zinc die black powder-coated; round cylinder zinc die with stainless steel cap and dust protection; nut and screw or washer m.s. zinc-plated; with spring and seal. Each round cylinder has one silver steel key with grip polyamide black. Key removable in both positions.

| Version A: Fixed cam height      | non locking | keyed EK 333 | keyed different |
|----------------------------------|-------------|--------------|-----------------|
| Wing knob                        | 1000-U826   | 1000-U827    | 1000-U828       |
| T-handle                         | 1000-U820   | 1000-U821    | 1000-U822       |
| L-handle                         | 1000-U823   | 1000-U824    | 1000-U825       |
| Version B: Adjustable cam height |             |              |                 |
| Wing knob                        | 1000-U790   | 1000-U789    | 1000-U791       |
| T-handle                         | 1000-U785   | 1000-U784    | 1000-U792       |
| L-handle                         | 1000-U788   | 1000-U787    | 1000-U793       |

Further parts see page

**for fixed cam height**  
 – Cam with or without catch from 1C-120 (not for cam with rod control)

**for adjustable cam height**  
 – Cam (GH = 45) 1C-137

**for both versions**  
 – Dust cap for T-handle 1C-340  
 – Spare key 8B-140

#### Tamper and vibration-proof

The compression latch is designed to be vibration-proof as such. Depending on the installation location and operational conditions, specific checks are necessary and/or supplementary measures of fastening required.

When the compression latch is used in combination with the dust cap (page 1C--330), another security aspect is added:

Additionally, when the lock is open and the red ring visible, the dust cap cannot be locked and remains open.



**Open condition**  
Turning the insert 90° causes the cam to rotate.



**Closed condition**  
Further rotation of the insert by 90° moves the cam 6 mm in axial direction.



**Compressed condition**

**Open:**  
Reversed motion

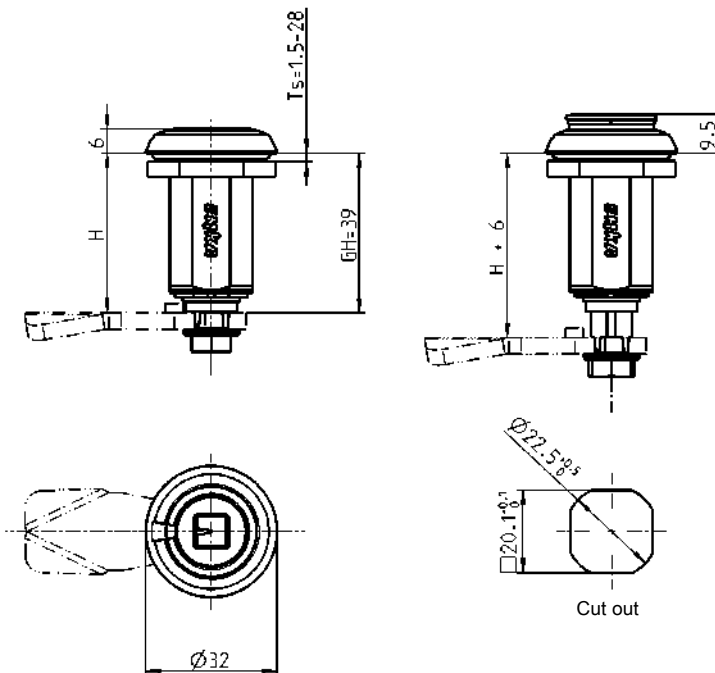
#### Further parts see page

- Cam with or without catch from 1C-120 (not for cam with rod control)
- Accessories from 1C-320
- Escutcheon 3B-140
- Key 8B-120

Compressed condition



Open condition



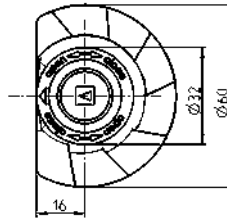
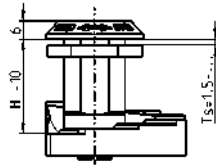
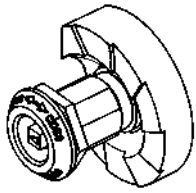
Housing and insert zinc die black powder-coated; signal ring red; nut and screw m.s. zinc-plated, with spring and seal

|          |           |
|----------|-----------|
| Square 8 | 1000-U846 |
| Railway  | 1000-U848 |

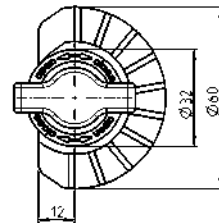
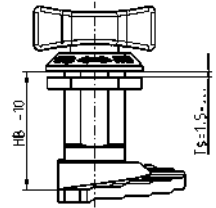
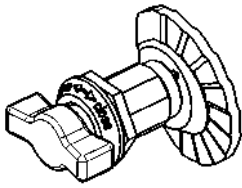
# Quarter turn with stepped cam

## PROGRAM 1000

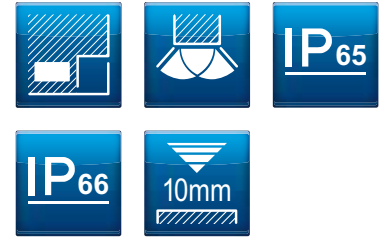
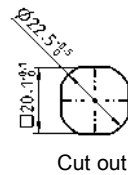
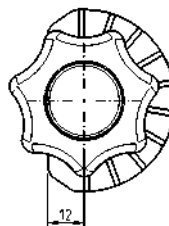
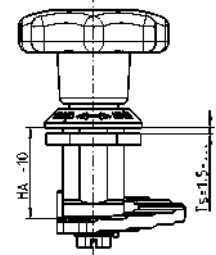
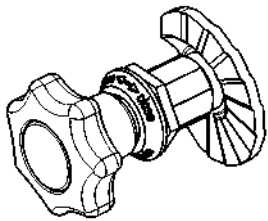
#### Version A



#### Version B



#### Version B



Housing with 270° stopper

#### Stepped cam

|           |                                   |          |
|-----------|-----------------------------------|----------|
| Version A | m.s. zinc-plated, without stopper | 1000-127 |
|           | m.s. zinc-plated, with stopper    | 1000-244 |
| Version B | zinc die raw, with stopper        | 1000-387 |

Housing zinc die surface of choice; nut m.s. zinc-plated; adapter and spacer zinc die; screw m.s. zinc-plated

| Ts | H  | HA | HB | Housing zinc die |                     | with adapter zinc die (Insert flush at front) | Spacer zinc die 5 mm higher H-dimension and screw m.s. zinc-plated |
|----|----|----|----|------------------|---------------------|---|--|
|    |    |    |    | chrome-plated    | black powder-coated |   |  |
| 8  | 19 | 19 | 27 | 1000-U157        | 1000-U231           | not required                                  | 1000-U539  |
| 20 | 31 | 31 | 39 | 1000-U158        | 1000-U232           | 1000-U164                                     | 1000-U540  |
| 26 | 37 | 37 | 45 | 1000-U247        | 1000-U250           | 1000-U198                                     | 1000-U541  |
| 30 | 41 | 41 | 49 | 1000-U159        | 1000-U233           | 1000-U165                                     | 1000-U542  |
| 40 | 51 | 51 | 59 | 1000-U160        | 1000-U234           | 1000-U166                                     | 1000-U543  |

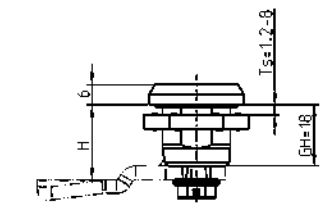
**Advice:**  
Quarter turn assembly 1B-105

**Further parts see page**  
 – Insert 1B-140  
 – IP 65 or IP 66 1B-140  
 – Accessories from 1C-320  
 – Escutcheon 3B-140  
 – Key 8B-120

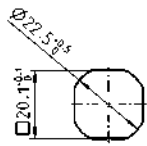
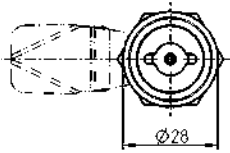


# Safety quarter turn

## PROGRAM 1000

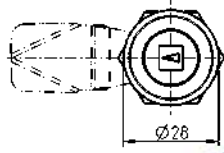
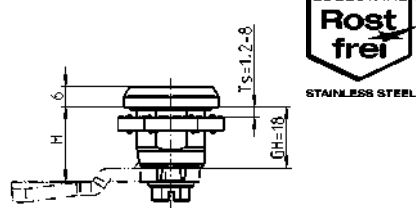


Right-hand version



Cut out

The safety quarter turn is of a vibration-proof design. Depending on the installation location and operational conditions, specific checks are necessary and/or supplementary measures of fastening required.



for stainless steel version



ROBUSTSTAHL  
Rostfrei  
STAINLESS STEEL



Push cam back using insert.



Cam snaps into place.

Double bit key not removable



| Housing brass; insert zinc die, screw and earthnut m.s. zinc-plated; with seal | black powder-coated |           | chrome-plated |           |
|--|---------------------|-----------|---------------|-----------|
|  | without             | with      | without       | with      |
|  | Dust cap            |           | Dust cap      |           |
| Double bit 3, RH version   | 1000-U252-01        | 1000-U687 | 1000-U202-01  | 1000-U691 |
| Double bit 3, LH version   | 1000-U254-01        | 1000-U688 | 1000-U204-01  | 1000-U692 |
| Double bit 5, RH version   | 1000-U256-01        | 1000-U689 | 1000-U206-01  | 1000-U693 |
| Double bit 5, LH version   | 1000-U258-01        | 1000-U690 | 1000-U208-01  | 1000-U694 |
| Square 6, RH / LH version  | 1000-U260-01        | -         | 1000-U210-01  | -         |
| Square 7, RH / LH version  | 1000-U262-01        | -         | 1000-U212-01  | -         |
| Square 8, RH / LH version  | 1000-U264-01        | -         | 1000-U214-01  | -         |
| Triangular 7, RH / LH version  | 1000-U266-01        | -         | 1000-U216-01  | -         |
| Triangular 8, RH / LH version  | 1000-U268-01        | -         | 1000-U218-01  | -         |
| Slot 2 x 4, RH / LH version  | 1000-U652-01        | -         | 1000-U655-01  | -         |
| Eastern Europe Ø 13 half-round, 90° and 180° stopper, RH / LH version          | 1000-U713-01        | -         | -             | -         |
| Railway AISI 303, RH / LH version  | 1000-U732-01        | -         | 1000-U733-01  | -         |
| Housing with insert, screw and nut AISI 303; with seal                         |                     |           | without       | with      |
|  |                     |           | Dust cap      |           |
| Double bit 3, RH version   |                     |           | 1000-U714-01  | 1000-U725 |
| Double bit 3, LH version   |                     |           | 1000-U715-01  | 1000-U726 |
| Double bit 5, RH version   |                     |           | 1000-U716-01  | 1000-U727 |
| Double bit 5, LH version   |                     |           | 1000-U717-01  | 1000-U728 |
| Square 6, RH / LH version  |                     |           | 1000-U718-01  | -         |
| Square 7, RH / LH version  |                     |           | 1000-U719-01  | -         |
| Square 8, RH / LH version  |                     |           | 1000-U720-01  | -         |
| Triangular 7, RH / LH version  |                     |           | 1000-U721-01  | -         |
| Triangular 8, RH / LH version  |                     |           | 1000-U722-01  | -         |
| Slot 2 x 4, RH / LH version  |                     |           | 1000-U723-01  | -         |
| Eastern Europe Ø 13 half-round, 90° and 180° stopper, RH / LH version          |                     |           | 1000-U724-01  | -         |
| Railway, RH / LH version   |                     |           | 1000-U710-01  | -         |
| Ø 8.6 with slot, RH / LH version   |                     |           | 1000-U712-01  | -         |

### Safety quarter turn

Tamper and vibration-proof. For double-bit version: Key can only be removed in locking position.

Hole for the double bit according to DIN 43668. Waterproof and dustproof, according to IP 65 DIN 40050.

Only available with pre-assembled cam.

### Further parts see page

- Cam with catch 1C-120
- Accessories 1C-320
- (not for slam-lock) 1C-360
- 1C-380
- Escutcheon 3B-140
- Key 8B-120

Info

1 Quarter turns

2 Rod controls

3 Locking systems

4 Hinges

5 Seals

6 Handles

7 Aluminium windows

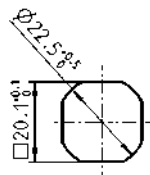
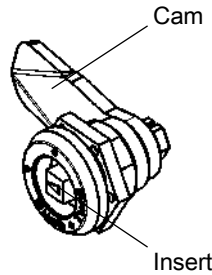
8 Miscellaneous

9 Special catalogues

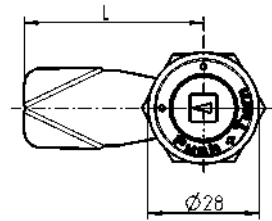
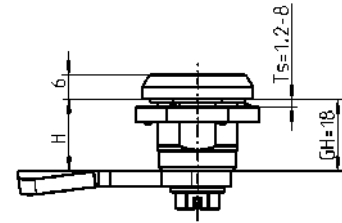
Index



for stainless steel version



Cut out



①



②

Press down the insert and turn!

**Safety quarter turn:**  
The safety quarter turn is of a vibration-proof design. Depending on the installation location and operational conditions, specific checks are necessary and/or supplementary measures of fastening required.

**Note:**  
Only cams without catch can be used.

**Note:**  
The H-dimension will be reduced by 2 mm when used with the finger pull (see page 1C-320)

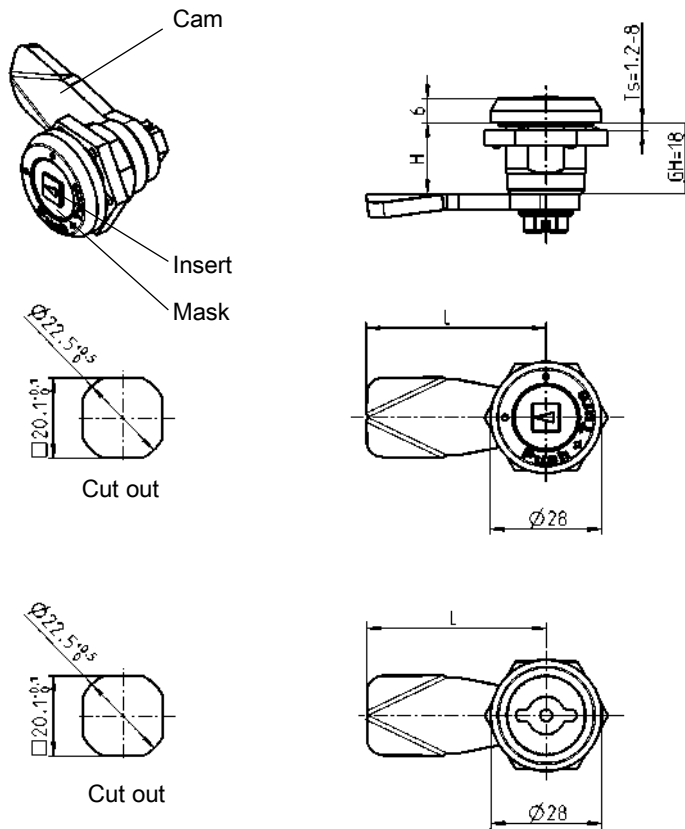
**Further parts see page**  
– Cam without catch 1C-120  
– Accessories 1C-320  
to 1C-380  
– Key 8B-120

Housing and insert material of choice, earthing nut and screw m.s. zinc-plated or nut and screw stainless steel; with spring and seal

| Further insert variants on request | ① Zinc die chrome-plated housing labeling is immersed | ② AISI 316 housing labeling is pad printed |
|------------------------------------|---|--|
| Square 6                           | on request  | 1000-U817-01PH                             |
| Square 7                           | 1000-U817-02IA  | on request                                 |
| Square 8                           | 1000-U817-03IA  | 1000-U817-03PH                             |
| Triangular 7                       | 1000-U817-04IA  | on request                                 |
| Triangular 8                       | 1000-U817-05IA  | 1000-U817-05PH                             |
| Triangular 10                      | on request  | 1000-U817-07PH                             |
| Double bit 3                       | 1000-U817-08IA  | on request                                 |
| Hexagon female SW 8                | on request  | 1000-U817-24PH                             |
| Slot 1.2 x 3                       | 1000-U817-16IA  | on request                                 |
| Slot 2 x 4                         | 1000-U817-17IA  | on request                                 |
| Insert railway                     | 1000-U817-23IA  | 1000-U817-23PH                             |

# Safety quarter turn with mask

## PROGRAM 1000



for stainless steel version



Insert square or triangular



Insert double bit

Press down the insert and turn!

**Safety quarter turn:**  
The safety quarter turn is of a vibration-proof design. Depending on the installation location and operational conditions, specific checks are necessary and/or supplementary measures of fastening required.

For double-bit version: Key can only be removed in locking position.

Hole for the double bit according to DIN 43668.

**Note:**  
The H-dimension will be reduced by 2 mm when used with the finger pull (see page 1C-320)

**Further parts see page**  
– Cam without catch 1C-120  
– Accessories 1C-320  
to 1C-380  
– Key 8B-120

Housing and insert material of choice; mask zinc die raw; earthing nut and screw m.s. zinc-plated or nut and screw stainless steel; with spring and seal

| Further insert variants on request | Zinc die chrome-plated | AISI 316   |
|------------------------------------|------------------------|------------|
| Square 7                           | 1000-U818-02IA         | on request |
| Square 8                           | 1000-U818-03IA         | on request |
| Triangular 7                       | 1000-U818-04IA         | on request |
| Triangular 8                       | 1000-U818-05IA         | on request |

Housing and insert material of choice, mask stainless steel; earthing nut and screw m.s. zinc-plated or nut and screw stainless steel; with spring and seal

|                          | Zinc die chrome-plated | AISI 316   |
|--------------------------|------------------------|------------|
| Double bit 3, RH version | 1000-U819-01IA         | on request |
| Double bit 3, LH version | 1000-U819-03IA         | on request |
| Double bit 5, RH version | 1000-U819-02IA         | on request |
| Double bit 5, LH version | 1000-U819-04IA         | on request |

Info

1 Quarter turns



2 Rod controls



3 Locking systems

4 Hinges



Press down the mask  
and turn the insert!

5 Seals

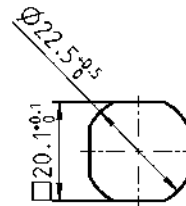
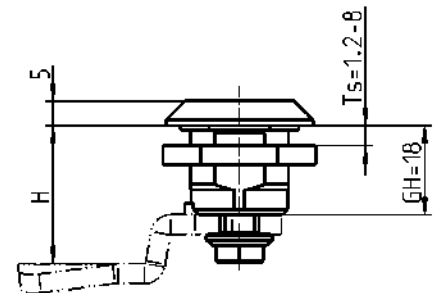
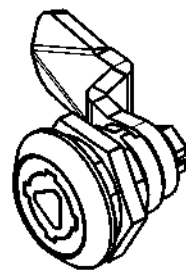
6 Handles

7 Aluminium windows

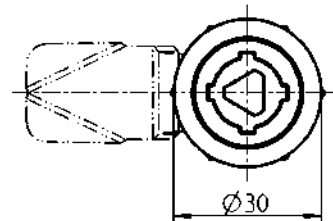
8 Miscellaneous

9 Special catalogues

Index



Cut out



**Safety quarter turn:**  
The safety quarter turn is of a vibration-proof design. Depending on the installation location and operational conditions, specific checks are necessary and/or supplementary measures of fastening required.

The H-dimension will be reduced by 2 mm when used with the finger pull (see page 1C-320)

**Further parts see page**

- Cam with catch           1C-120
- 1C-160
- Accessories                1C-320
- to 1C-380
- Key                            8B-120

Quarter turn zinc die black powder-coated; screw and earthing nut m.s. zinc-plated; with seal. Key removable in both positions.

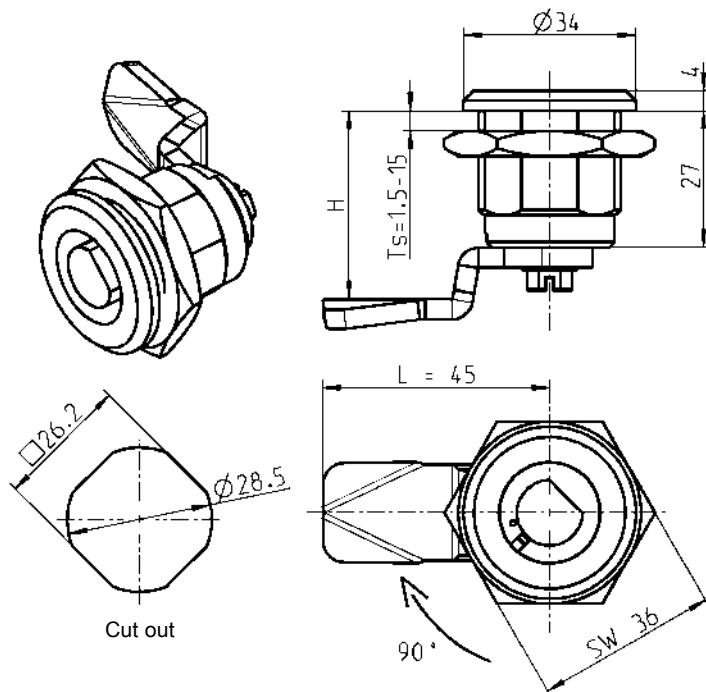
Triangular 8, RH / LH version

1000-U835

**1B-335**



# Safety quarter turn Eastern Europe half-round PROGRAM 1000



Cut out

**Attention:**

Cut out deviating from standard

The spring-loaded insert in the direction of the arrow (type: Eastern European Ø13 half-round) can only be turned with a special key.  
Key only removable in the locked position.



**Housing zinc die or polyamide; insert zinc die zinc-plated; nut and fixing material m.s. zinc-plated**

Zinc die black powder-coated 1000-U746-01

Polyamide black 1000-U747

**Key zinc die raw**

1004-45

**Cam m.s. zinc-plated**

| Dim. H | Part-No. | Dim. H | Part-No. |
|--------|----------|--------|----------|
| 13     | 1000-112 | 29     | 1000-16  |
| 15     | 1000-22  | 31     | 1000-15  |
| 17     | 1000-113 | 33     | 1000-14  |
| 19     | 1000-21  | 34     | 1000-27  |
| 22     | 1000-20  | 35     | 1000-50  |
| 23     | 1000-19  | 37     | 1000-13  |
| 25     | 1000-18  | 39     | 1000-28  |
| 27     | 1000-17  |        |          |

Further cams on request

**Application:**  
Electric power companies  
in Eastern Europe

Info

1 Quarter turns



2 Rod controls



3 Locking systems



4 Hinges



5 Seals



6 Handles



7 Aluminium windows

8 Miscellaneous

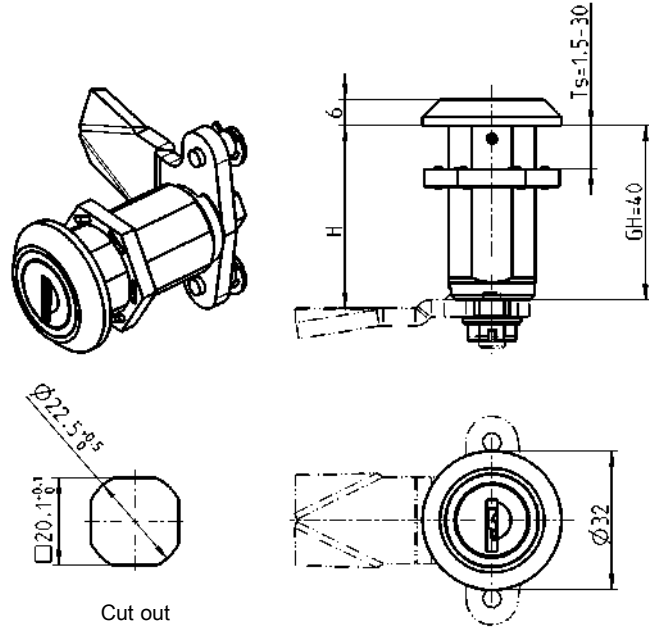
Combination of quarter turn and round cylinder for 1- and 3-point latch system.

**Note:**  
IP 65 and IP 66 only available pre-assembled!

**Further parts see page**  
 – Cam with catch to 1C-120  
 – Accessories from 1C-180  
 – Escutcheon 3B-140  
 – Spare key 8B-140

Index

**1B-360** 01/14  
(1B-271)



**Safety quarter turn:**

Removable roller, concealed square insert enables higher torque with the square key.

Safety quarter turn housing zinc die black powder-coated; cylinder with stainless steel cap and dust protection; insert square female 6 mm zinc die chrome-plated, earthing nut and fixing material m.s. zinc-plated. Each round cylinder has one silver steel key with grip polyamide GF black.

|                      |            |
|----------------------|------------|
| keyed EK 333         | 1048-U22   |
| keyed different      | 1048-U23   |
| Key square male 6 mm | 1004-29-01 |

**IP 65 achieved by:**

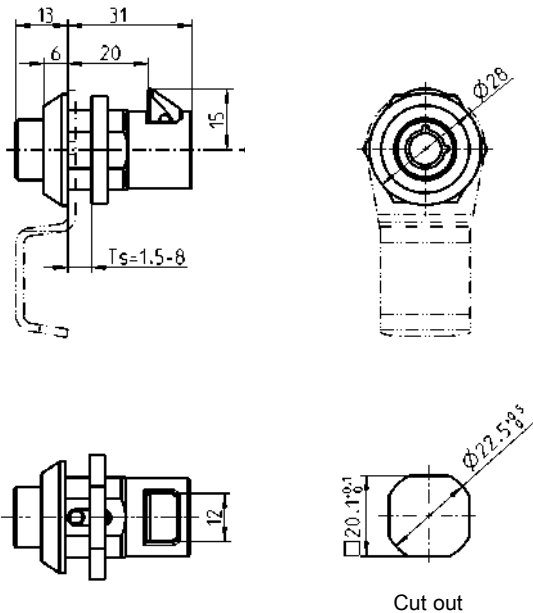
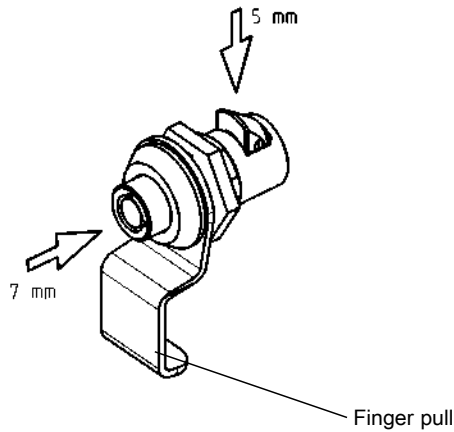
|           |         |
|-----------|---------|
| Flat seal | 1000-23 |
| O-ring    | 1000-24 |

**IP 66 achieved by:**

|          |           |
|----------|-----------|
| Seal set | 1000-U769 |
|----------|-----------|

# Radial pin-push cylinder

## PROGRAM 1000



### Radial pin-push cylinder:

By turning the key 90° the push button is unlocked and can be operated.  
The key is removable in both positions.



1 Quarter turns

2 Rod controls

3 Locking systems

4 Hinges

5 Seals

6 Handles

7 Aluminium windows

8 Miscellaneous

9 Special catalogues

Index



**Application:**  
Computer housing  
Deutsche Bahn

**Attention:**  
When using a finger pull, the dimension changes from 20 to 18 mm or  $TS_{max}$  becomes 6 mm.

Radial pin-push cylinder housing zinc die; push cylinder brass / zinc die nickel-plated; locking bolt zinc die zinc-plated; nut m.s. zinc-plated

|                 | chrome-plated | black powder-coated |
|-----------------|---------------|---------------------|
| keyed 20001     | 1000-U742     | 1000-U751           |
| keyed different | 1000-U743     | 1000-U752           |

**Further parts see page**  
– Finger pull 1C-320  
– Escutcheon 3B-140

Info

1 Quarter turns



2 Rod controls



3 Locking systems



4 Hinges

5 Seals



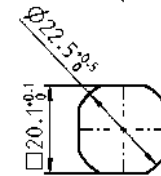
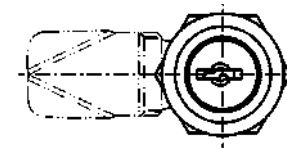
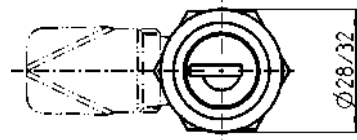
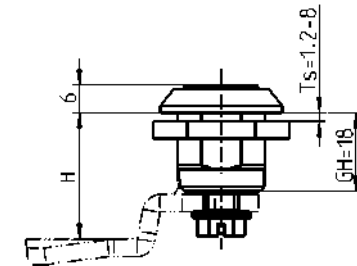
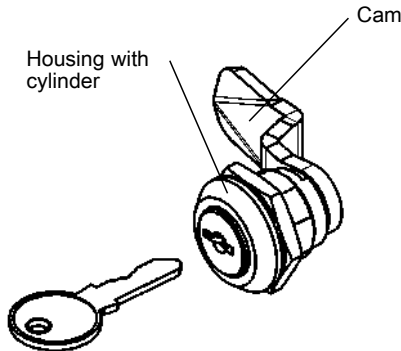
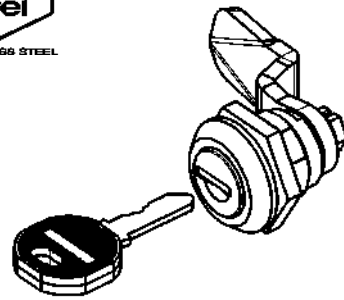
6 Handles

7 Aluminium windows

8 Miscellaneous

9 Special catalogues

Index



Cut out

Cylinder quarter turn housing zinc die surface of choice;  
round cylinder zinc die with stainless steel cap and dust protection;  
nut, earthing nut and screw m.s. zinc-plated.  
Each round cylinder has one silver steel key with grip polyamide GF black.

| Housing zinc die | chrome-plated |              | black powder-coated |              |
|------------------|---------------|--------------|---------------------|--------------|
|                  | Nut           | Earthing nut | Nut                 | Earthing nut |
| <b>D = 28 mm</b> |               |              |                     |              |
| keyed EK 333     | 1048-U6       | 1048-U8      | 1048-U14            | 1048-U16     |
| keyed different  | 1048-U7       | 1048-U9      | 1048-U15            | 1048-U17     |
| <b>D = 32 mm</b> |               |              |                     |              |
| keyed EK 333     | 1048-U1       | 1048-U3      | 1048-U10            | 1048-U12     |
| keyed different  | 1048-U2       | 1048-U4      | 1048-U11            | 1048-U13     |

Cylinder quarter turn AISI 316; round cylinder, nut, screw and serrated washer stainless steel.  
Each round cylinder has one silver steel key with grip polyamide GF black.

|                            | Nut stainless steel | Earthing nut |
|----------------------------|---------------------|--------------|
| keyed EK 333, D = 28 mm    | 1048-U6-PH          | -            |
| keyed different, D = 28 mm | 1048-U7-PH          | -            |

Cylinder quarter turn housing with round cylinder polyamide GF black;  
screw m.s. zinc-plated; nut m.s. zinc-plated or polyamide black.  
Each round cylinder has one key of m.s. nickel-plated.

|                  | Nut m.s. zinc-plated | Earthing nut | Nut polyamide black | Earthing nut |
|------------------|----------------------|--------------|---------------------|--------------|
| <b>D = 28 mm</b> |                      |              |                     |              |
| keyed EK 333     | 1048-U18             | -            | 1048-U27            | -            |
| keyed different  | 1048-U19             | -            | 1048-U28            | -            |
| <b>D = 32 mm</b> |                      |              |                     |              |
| keyed EK 333     | 1048-U20             | -            | 1048-U25            | -            |
| keyed different  | 1048-U21             | -            | 1048-U26            | -            |

Key removable in both positions

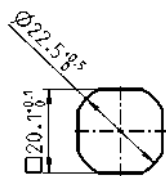
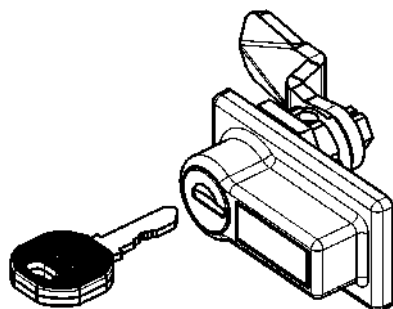
Further parts see page

- Cam with catch from 1C-120
- (not for cam with rod control) 1C-160
- Slam cam 1C-180
- Accessories 1C-320
- 1C-360
- 1C-380
- Escutcheon 3B-140
- Spare key 8B-140

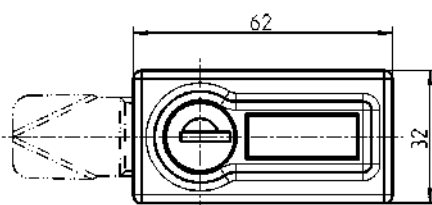
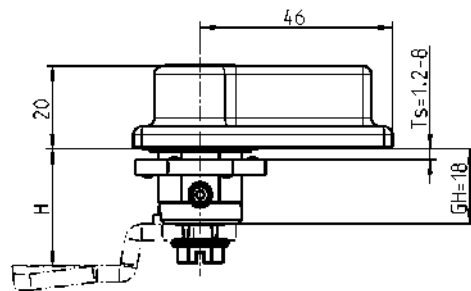
# Panel handle quarter turn, T-handle quarter turn, small

## PROGRAM 1000

### Panel handle quarter turn



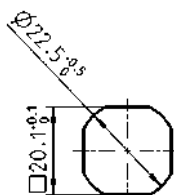
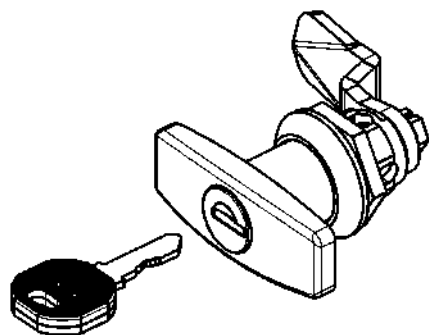
Cut out



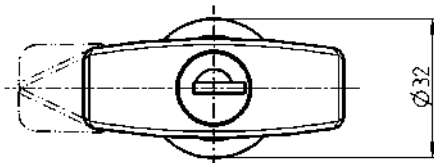
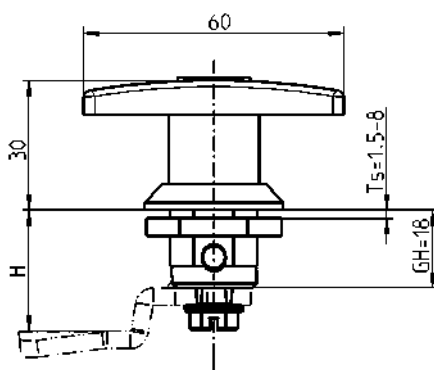
Handle polyamide GF black; housing zinc die black powder-coated; round cylinder zinc die with stainless steel cap and dust protection; nut, earthing nut and fixing material m.s. zinc-plated; with spring and seal. Each round cylinder has one silver steel key with grip polyamide black. Key removable in both positions.

|                 | Nut | Earthing nut |
|-----------------|-----|--------------|
| keyed EK 333    | -   | 1000-U844    |
| keyed different | -   | 1000-U845    |

### T-handle quarter turn, small



Cut out



T-handle polyamide GF black; housing zinc die black powder-coated; round cylinder zinc die with stainless steel cap and dust protection; nut, earthing nut and fixing material m.s. zinc-plated; with spring and seal. Each round cylinder has one silver steel key with grip polyamide black. Key removable in both positions.

|                 | Nut       | Earthing nut |
|-----------------|-----------|--------------|
| non locking     | 1000-U775 | 1000-U775-01 |
| keyed EK 333    | 1000-U773 | 1000-U773-01 |
| keyed different | 1000-U774 | 1000-U774-01 |

© EMKA Beschlagteile GmbH & Co. KG • 2021 • www.emka.com



1 Quarter turns

2 Rod controls

3 Locking systems

4 Hinges

5 Seals

6 Handles

7 Aluminium windows

8 Miscellaneous

9 Special catalogues

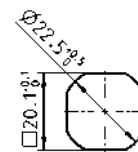
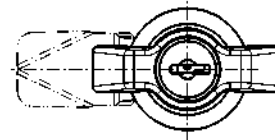
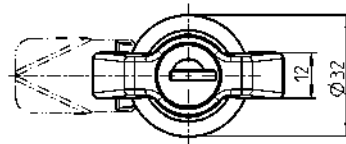
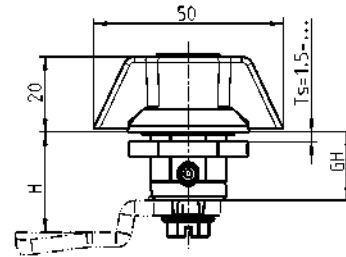
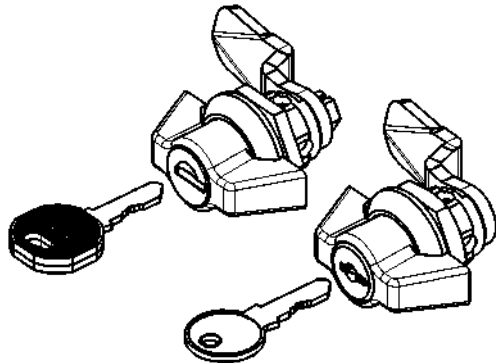
Index

### Further parts see page

- Cam with catch 1C-120 to 1C-180
- Accessories from 1C-340
- Escutcheon 3B-140
- Spare key 8B-140

## Wing knob quarter turn

## PROGRAM 1000



Cut out

**Cylinder zinc die**

Each round cylinder has one silver steel key with grip polyamide GF black.  
Screw and nut m.s. zinc-plated.  
Key removable in both positions.

**Cylinder polyamide**

Each round cylinder has one m.s. nickel-plated key.  
Screw and nut m.s. zinc-plated.  
Key removable in both positions.

**Wing knob**

IP 65

Wing knob, housing zinc die chrome-plated; with seal;  
nut, earthing nut and screw m.s. zinc-plated.

Round cylinder zinc die with stainless steel cap and dust protection.  
Each round cylinder has one silver steel key with grip polyamide GF black.

|  | GH<br>18 mm       | Ts 1.5 -<br>8 mm | non<br>locking | keyed<br>EK 333 | keyed<br>different |
|--|-------------------|------------------|----------------|-----------------|--------------------|
|  | with nut          |                  | 1000-U149      | 1000-U150       | 1000-U151          |
|  | with earthing nut |                  | 1000-U152      | 1000-U153       | 1000-U154          |
|  | <b>30 mm</b>      | <b>20 mm</b>     |                |                 |                    |
|  | with nut          |                  | 1000-U269      | 1000-U271       | 1000-U273          |
|  | with earthing nut |                  | 1000-U270      | 1000-U272       | 1000-U274          |
|  | <b>40 mm</b>      | <b>30 mm</b>     |                |                 |                    |
|  | with nut          |                  | 1000-U275      | 1000-U277       | 1000-U279          |
|  | with earthing nut |                  | 1000-U276      | 1000-U278       | 1000-U280          |
|  | <b>50 mm</b>      | <b>40 mm</b>     |                |                 |                    |
|  | with nut          |                  | 1000-U281      | 1000-U283       | 1000-U285          |
|  | with earthing nut |                  | 1000-U282      | 1000-U284       | 1000-U286          |
|  | <b>60 mm</b>      | <b>50 mm</b>     |                |                 |                    |
|  | with nut          |                  | 1000-U633      | 1000-U635       | 1000-U637          |
|  | with earthing nut |                  | 1000-U634      | 1000-U636       | 1000-U638          |

**Wing knob**  
**IP 65**  
 Wing knob, housing zinc die black powder-coated; nut, earthing nut and screw m.s. zinc-plated; with seal.  
 Round cylinder zinc die with stainless steel cap and dust protection.  
 Each round cylinder has one silver steel key with grip polyamide GF black.

| GH    | Ts 1.5 - 8 mm     | non locking | keyed EK 333 | keyed different |
|-------|-------------------|-------------|--------------|-----------------|
| 18 mm |                   |             |              |                 |
|       | with nut          | 1000-U241   | 1000-U237    | 1000-U239       |
|       | with earthing nut | 1000-U242   | 1000-U238    | 1000-U240       |
| 30 mm | 20 mm             |             |              |                 |
|       | with nut          | 1000-U403   | 1000-U405    | 1000-U407       |
|       | with earthing nut | 1000-U404   | 1000-U406    | 1000-U408       |
| 40 mm | 30 mm             |             |              |                 |
|       | with nut          | 1000-U409   | 1000-U411    | 1000-U413       |
|       | with earthing nut | 1000-U410   | 1000-U412    | 1000-U414       |
| 50 mm | 40 mm             |             |              |                 |
|       | with nut          | 1000-U415   | 1000-U417    | 1000-U419       |
|       | with earthing nut | 1000-U416   | 1000-U418    | 1000-U420       |
| 60 mm | 50 mm             |             |              |                 |
|       | with nut          | 1000-U639   | 1000-U641    | 1000-U643       |
|       | with earthing nut | 1000-U640   | 1000-U642    | 1000-U644       |

**Wing knob**  
**IP 65**  
 Wing knob, housing, nut and screw AISI 316; with seal.  
 Round cylinder stainless steel with stainless steel cap and dust protection.  
 Each round cylinder has one silver steel key with grip polyamide GF black.

| GH    | Ts 1.5 - 8 mm | non locking | keyed EK 333 | keyed different |
|-------|---------------|-------------|--------------|-----------------|
| 18 mm |               |             |              |                 |
|       | with nut      | 1000-U665   | 1000-U150-PH | 1000-U151-PH    |

**Wing knob**  
**IP 65**  
 Wing knob polyamide black; housing zinc die black powder-coated; nut, earthing nut and screw m.s. zinc-plated; with seal  
 Round cylinder zinc die with stainless steel cap and dust cap.  
 Each round cylinder has one silver steel key with grip polyamide GF black.

Wing knob, housing, round cylinder and nut polyamide black (IP 40)  
 Each round cylinder has one m.s. nickel-plated key.

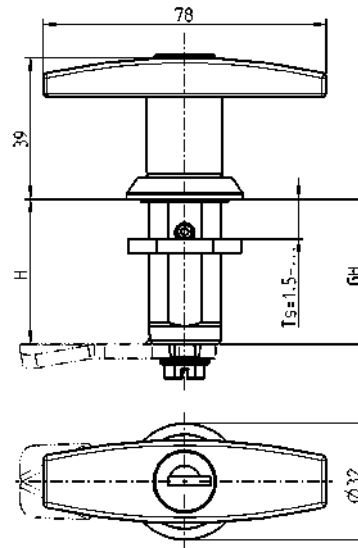
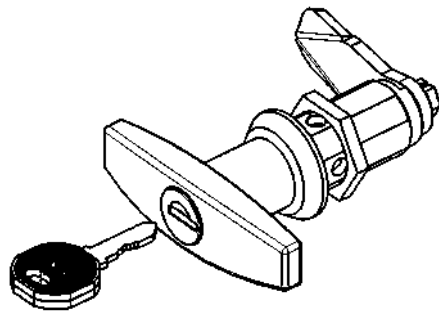
| GH    | Ts 1.5 - 8 mm     | non locking | keyed EK 333 | keyed different | keyed EK 333 | keyed different |
|-------|-------------------|-------------|--------------|-----------------|--------------|-----------------|
| 18 mm |                   |             |              |                 |              |                 |
|       | with nut          | 1000-U343   | 1000-U345    | 1000-U347       | 1000-U754    | 1000-U753       |
|       | with earthing nut | 1000-U344   | 1000-U346    | 1000-U348       | -            | -               |
| 30 mm | 20 mm             |             |              |                 |              |                 |
|       | with nut          | 1000-U512   | 1000-U514    | 1000-U516       | -            | -               |
|       | with earthing nut | 1000-U513   | 1000-U515    | 1000-U517       | -            | -               |
| 40 mm | 30 mm             |             |              |                 |              |                 |
|       | with nut          | 1000-U518   | 1000-U520    | 1000-U522       | -            | -               |
|       | with earthing nut | 1000-U519   | 1000-U521    | 1000-U523       | -            | -               |
| 50 mm | 40 mm             |             |              |                 |              |                 |
|       | with nut          | 1000-U524   | 1000-U526    | 1000-U528       | -            | -               |
|       | with earthing nut | 1000-U525   | 1000-U527    | 1000-U529       | -            | -               |
| 60 mm | 50 mm             |             |              |                 |              |                 |
|       | with nut          | 1000-U645   | 1000-U647    | 1000-U649       | -            | -               |
|       | with earthing nut | 1000-U646   | 1000-U648    | 1000-U650       | -            | -               |



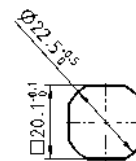
**Further parts see page**  
 – Cam with catch 1C-120 to 1C-180  
 – Accessories from 1C-340  
 – Escutcheon 3B-140  
 – Spare key 8B-140

# T-handle quarter turn

## PROGRAM 1000



Each round cylinder has one silver steel key with grip polyamide GF black.  
Screw and nut m.s. zinc-plated.  
Key removable in both positions.



Cut out

T-handle quarter turn,  
prepared for KABA cylinder type 1036 with standard locking  
and / or master key system on request.

### T-handle

IP 65

T-handle, housing zinc die chrome-plated; with seal;  
nut, earthing nut and screw m.s. zinc-plated.

Round cylinder zinc die with stainless steel cap and dust protection.  
Each round cylinder has one silver steel key with grip polyamide GF black.

| GH    | Ts 1.5 - 8 mm     | non locking | keyed EK 333 | keyed different |
|-------|-------------------|-------------|--------------|-----------------|
| 18 mm |                   |             |              |                 |
|       | with nut          | 1000-U9     | 1000-U10     | 1000-U11        |
|       | with earthing nut | 1000-U60    | 1000-U61     | 1000-U62        |
| 30 mm | 20 mm             |             |              |                 |
|       | with nut          | 1000-U116   | 1000-U118    | 1000-U120       |
|       | with earthing nut | 1000-U117   | 1000-U119    | 1000-U121       |
| 40 mm | 30 mm             |             |              |                 |
|       | with nut          | 1000-U122   | 1000-U124    | 1000-U126       |
|       | with earthing nut | 1000-U123   | 1000-U125    | 1000-U127       |
| 50 mm | 40 mm             |             |              |                 |
|       | with nut          | 1000-U128   | 1000-U130    | 1000-U132       |
|       | with earthing nut | 1000-U129   | 1000-U131    | 1000-U133       |
| 60 mm | 50 mm             |             |              |                 |
|       | with nut          | 1000-U594   | 1000-U596    | 1000-U598       |
|       | with earthing nut | 1000-U595   | 1000-U597    | 1000-U599       |





T-handle

IP 65

T-handle, housing zinc die black powder-coated; nut, earthing nut and screw m.s. zinc-plated; with seal. Round cylinder zinc die with stainless steel cap and dust protection.

Each round cylinder has one silver steel key with grip polyamide GF black.

| GH<br>18 mm       | Ts 1.5 -<br>8 mm | non<br>locking | keyed<br>EK 333 | keyed<br>different |
|-------------------|------------------|----------------|-----------------|--------------------|
| with nut          |                  | 1000-U337      | 1000-U338       | 1000-U339          |
| with earthing nut |                  | 1000-U340      | 1000-U341       | 1000-U342          |
| 30 mm             | 20 mm            |                |                 |                    |
| with nut          |                  | 1000-U372      | 1000-U374       | 1000-U376          |
| with earthing nut |                  | 1000-U373      | 1000-U375       | 1000-U377          |
| 40 mm             | 30 mm            |                |                 |                    |
| with nut          |                  | 1000-U378      | 1000-U380       | 1000-U382          |
| with earthing nut |                  | 1000-U379      | 1000-U381       | 1000-U383          |
| 50 mm             | 40 mm            |                |                 |                    |
| with nut          |                  | 1000-U384      | 1000-U386       | 1000-U388          |
| with earthing nut |                  | 1000-U385      | 1000-U387       | 1000-U389          |
| 60 mm             | 50 mm            |                |                 |                    |
| with nut          |                  | 1000-U600      | 1000-U602       | 1000-U604          |
| with earthing nut |                  | 1000-U601      | 1000-U603       | 1000-U605          |



T-handle

IP 65

T-handle, housing, nut and screw AISI 316; with seal. Round cylinder stainless steel with stainless steel cap and dust protection.

Each round cylinder has one silver steel key with grip polyamide GF black.

| GH<br>18 mm | Ts 1.5 -<br>8 mm | non<br>locking | keyed<br>EK 333 | keyed<br>different |
|-------------|------------------|----------------|-----------------|--------------------|
| with nut    |                  | 1000-U664      | 1000-U10-PH     | 1000-U11-PH        |

T-handle

IP 65

T-handle polyamide black; housing zinc die black powder-coated; nut, earthing nut and screw m.s. zinc-plated; with seal. Round cylinder zinc die with stainless steel cap and dust cap. Each round cylinder has one silver steel key with grip polyamide GF black.

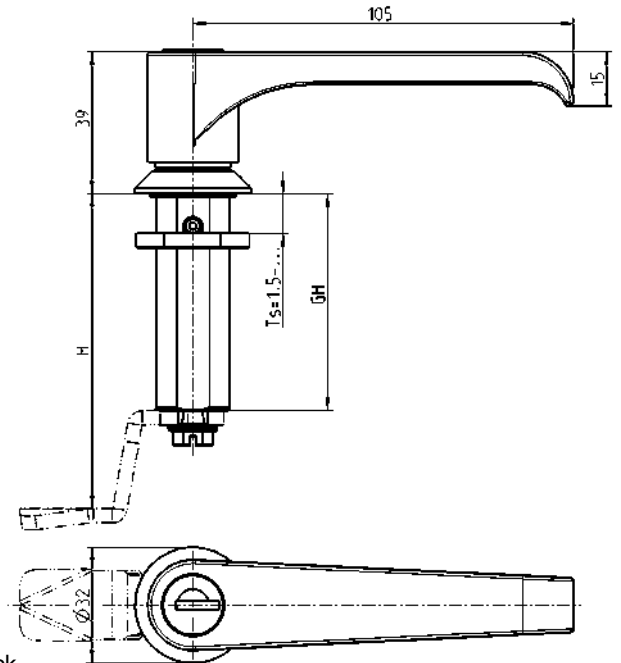
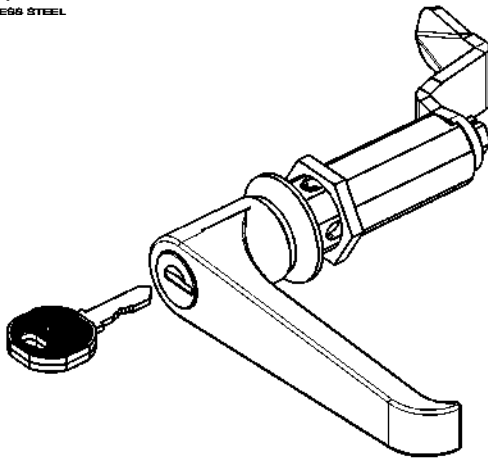
| GH<br>18 mm       | Ts 1.5 -<br>8 mm | non<br>locking | keyed<br>EK 333 | keyed<br>different |
|-------------------|------------------|----------------|-----------------|--------------------|
| with nut          |                  | 1000-U546      | 1000-U548       | 1000-U550          |
| with earthing nut |                  | 1000-U547      | 1000-U549       | 1000-U551          |
| 30 mm             | 20 mm            |                |                 |                    |
| with nut          |                  | 1000-U552      | 1000-U554       | 1000-U556          |
| with earthing nut |                  | 1000-U553      | 1000-U555       | 1000-U557          |
| 40 mm             | 30 mm            |                |                 |                    |
| with nut          |                  | 1000-U558      | 1000-U560       | 1000-U562          |
| with earthing nut |                  | 1000-U559      | 1000-U561       | 1000-U563          |
| 50 mm             | 40 mm            |                |                 |                    |
| with nut          |                  | 1000-U564      | 1000-U566       | 1000-U568          |
| with earthing nut |                  | 1000-U565      | 1000-U567       | 1000-U569          |
| 60 mm             | 50 mm            |                |                 |                    |
| with nut          |                  | 1000-U606      | 1000-U608       | 1000-U610          |
| with earthing nut |                  | 1000-U607      | 1000-U609       | 1000-U611          |

Further parts see page

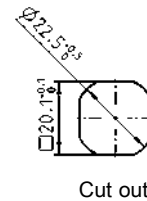
- Cam with catch 1C-120 to 1C-180
- Accessories from 1C-340
- Escutcheon 3B-140
- Spare key 8B-140

# L-handle quarter turn

## PROGRAM 1000



Each round cylinder has one silver steel key with grip polyamide GF black.  
Screw and nut m.s. zinc-plated.  
Key removable in both positions.



L-handle quarter turn,  
prepared for KABA cylinder type 1036 with standard locking  
and / or master key system on request.

L-handle

IP 65

L-handle, housing zinc die chrome-plated; with seal;  
nut, earthing nut and screw m.s. zinc-plated.

Round cylinder zinc die with stainless steel cap and dust protection.

Each round cylinder has one silver steel key with grip polyamide GF black.

| GH<br>18 mm       | Ts 1.5 -<br>8 mm | non<br>locking | keyed<br>EK 333 | keyed<br>different |
|-------------------|------------------|----------------|-----------------|--------------------|
| with nut          |                  | 1000-U14       | 1000-U15        | 1000-U16           |
| with earthing nut |                  | 1000-U57       | 1000-U58        | 1000-U59           |
| <b>30 mm</b>      | <b>20 mm</b>     |                |                 |                    |
| with nut          |                  | 1000-U98       | 1000-U100       | 1000-U102          |
| with earthing nut |                  | 1000-U99       | 1000-U101       | 1000-U103          |
| <b>40 mm</b>      | <b>30 mm</b>     |                |                 |                    |
| with nut          |                  | 1000-U104      | 1000-U106       | 1000-U108          |
| with earthing nut |                  | 1000-U105      | 1000-U107       | 1000-U109          |
| <b>50 mm</b>      | <b>40 mm</b>     |                |                 |                    |
| with nut          |                  | 1000-U110      | 1000-U112       | 1000-U114          |
| with earthing nut |                  | 1000-U111      | 1000-U113       | 1000-U115          |
| <b>60 mm</b>      | <b>50 mm</b>     |                |                 |                    |
| with nut          |                  | 1000-U612      | 1000-U614       | 1000-U616          |
| with earthing nut |                  | 1000-U613      | 1000-U615       | 1000-U617          |



1 Quarter turns

2 Rod controls

3 Locking systems

4 Hinges

5 Seals

6 Handles

7 Aluminium windows

8 Miscellaneous

9 Special catalogues

Index

L-handle  
IP 65

L-handle, housing zinc die black powder-coated;  
nut, earthing nut and screw m.s. zinc-plated; with seal.  
Round cylinder zinc die with stainless steel cap  
and dust protection.  
Each round cylinder has one silver steel key  
with grip polyamide GF black.

| GH<br>18 mm       | Ts 1.5 -<br>8 mm | non<br>locking | keyed<br>EK 333 | keyed<br>different |
|-------------------|------------------|----------------|-----------------|--------------------|
| with nut          |                  | 1000-U353      | 1000-U390       | 1000-U391          |
| with earthing nut |                  | 1000-U392      | 1000-U393       | 1000-U394          |
| 30 mm             | 20 mm            |                |                 |                    |
| with nut          |                  | 1000-U354      | 1000-U356       | 1000-U358          |
| with earthing nut |                  | 1000-U355      | 1000-U357       | 1000-U359          |
| 40 mm             | 30 mm            |                |                 |                    |
| with nut          |                  | 1000-U360      | 1000-U362       | 1000-U364          |
| with earthing nut |                  | 1000-U361      | 1000-U363       | 1000-U365          |
| 50 mm             | 40 mm            |                |                 |                    |
| with nut          |                  | 1000-U366      | 1000-U368       | 1000-U370          |
| with earthing nut |                  | 1000-U367      | 1000-U369       | 1000-U371          |
| 60 mm             | 50 mm            |                |                 |                    |
| with nut          |                  | 1000-U618      | 1000-U620       | 1000-U622          |
| with earthing nut |                  | 1000-U619      | 1000-U621       | 1000-U623          |



L-handle  
IP 65

L-handle, housing, nut and screw AISI 316; with seal.  
Round cylinder stainless steel with stainless steel cap  
and dust protection.  
Each round cylinder has one silver steel key  
with grip polyamide GF black.

| GH<br>18 mm | Ts 1.5 -<br>8 mm | non<br>locking | keyed<br>EK 333 | keyed<br>different |
|-------------|------------------|----------------|-----------------|--------------------|
| with nut    |                  | 1000-U658      | 1000-U15-PH     | 1000-U16-PH        |

L-handle  
IP 65

L-handle polyamide black;  
housing zinc die black powder-coated;  
nut, earthing nut and screw m.s. zinc-plated; with seal.  
Round cylinder zinc die with stainless steel cap and dust cap.  
Each round cylinder has one silver steel key  
with grip polyamide GF black.

| GH<br>18 mm       | Ts 1.5 -<br>8 mm | non<br>locking | keyed<br>EK 333 | keyed<br>different |
|-------------------|------------------|----------------|-----------------|--------------------|
| with nut          |                  | 1000-U570      | 1000-U572       | 1000-U574          |
| with earthing nut |                  | 1000-U571      | 1000-U573       | 1000-U575          |
| 30 mm             | 20 mm            |                |                 |                    |
| with nut          |                  | 1000-U576      | 1000-U578       | 1000-U580          |
| with earthing nut |                  | 1000-U577      | 1000-U579       | 1000-U581          |
| 40 mm             | 30 mm            |                |                 |                    |
| with nut          |                  | 1000-U582      | 1000-U584       | 1000-U586          |
| with earthing nut |                  | 1000-U583      | 1000-U585       | 1000-U587          |
| 50 mm             | 40 mm            |                |                 |                    |
| with nut          |                  | 1000-U588      | 1000-U590       | 1000-U592          |
| with earthing nut |                  | 1000-U589      | 1000-U591       | 1000-U593          |
| 60 mm             | 50 mm            |                |                 |                    |
| with nut          |                  | 1000-U624      | 1000-U626       | 1000-U628          |
| with earthing nut |                  | 1000-U625      | 1000-U627       | 1000-U629          |

**Further parts see page**  
 – Cam with catch 1C-120 to 1C-180  
 – Accessories from 1C-340  
 – Escutcheon 3B-140  
 – Spare key 8B-140



IP 65 on request!

Insert with spring-loaded return  
(two-hand operation)

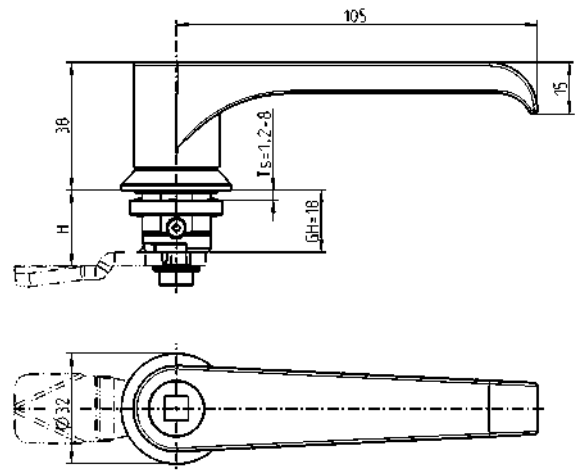
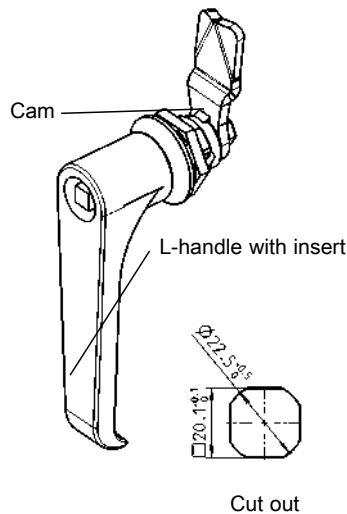


IP 65

**Attention:**  
L-handle is locked when  
a padlock is fitted.

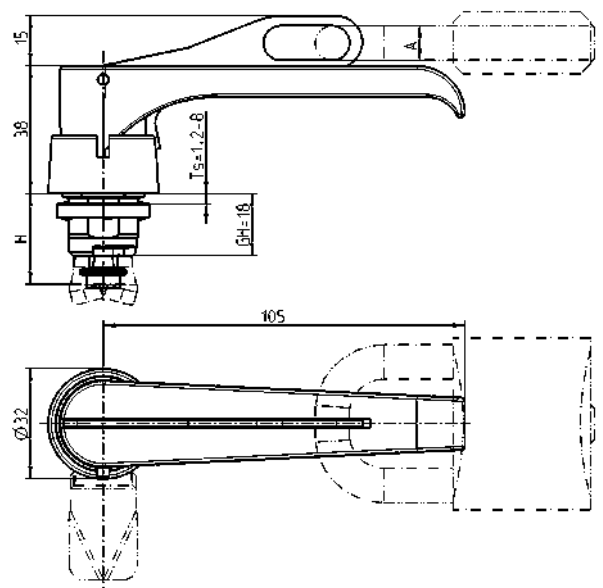
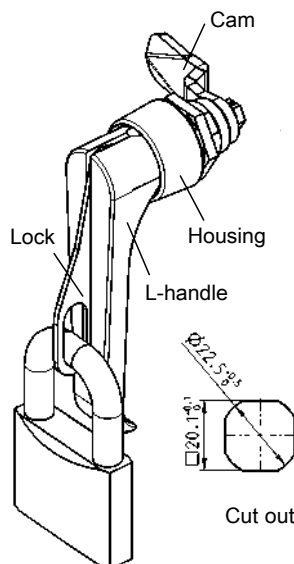
Further parts see page

- Cam with catch to 1C-120
- Accessories from 1C-340
- Escutcheon 3B-140
- Key 8B-120



L-handle with housing and insert zinc die;  
earthing nut and screw m.s. zinc-plated; with seal

|                         | chrome-plated | black powder-coated |                                   | chrome-plated | black powder-coated |
|-------------------------|---------------|---------------------|-----------------------------------|---------------|---------------------|
| Square 7                | 1000-U89      | 1000-U395           | Double bit 5                      | 1000-U94      | 1000-U400           |
| Square 8                | 1000-U90      | 1000-U396           | Daimler Benz                      | 1000-U95      | 1000-U401           |
| Triangular 6.5<br>CNOMO | 1000-U423     | 1000-U422           | Slot 2 x 4                        | 1000-U434     | 1000-U435           |
|                         |               |                     | Slot 1.2 x 3                      | 1000-U656     | 1000-U657           |
| Triangular 7            | 1000-U91      | 1000-U397           | Eastern Europe<br>Ø 13 half-round | 1000-U659     | 1000-U660           |
| Triangular 8            | 1000-U92      | 1000-U398           |                                   |               |                     |
| Double bit 3            | 1000-U93      | 1000-U399           |                                   |               |                     |

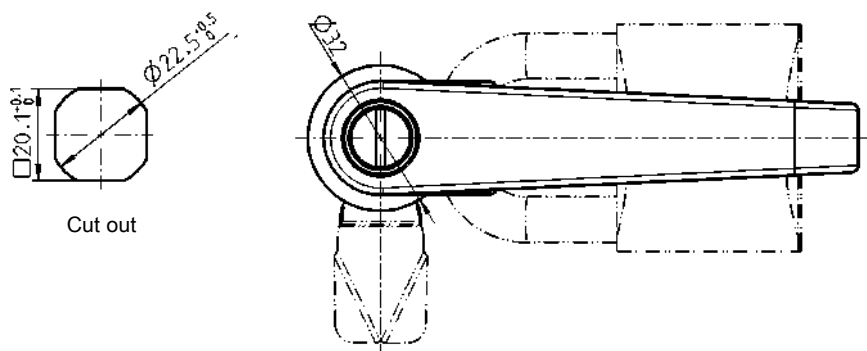
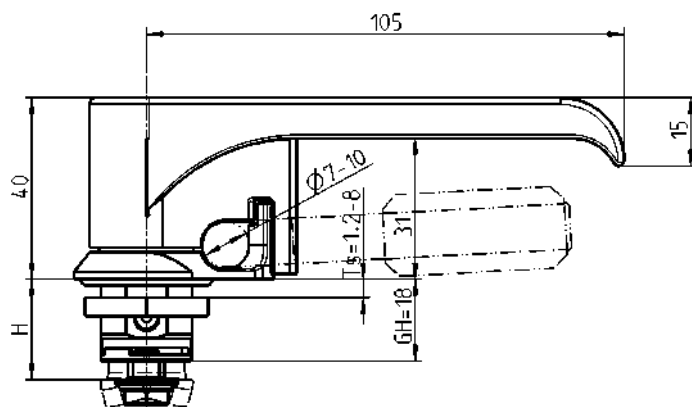
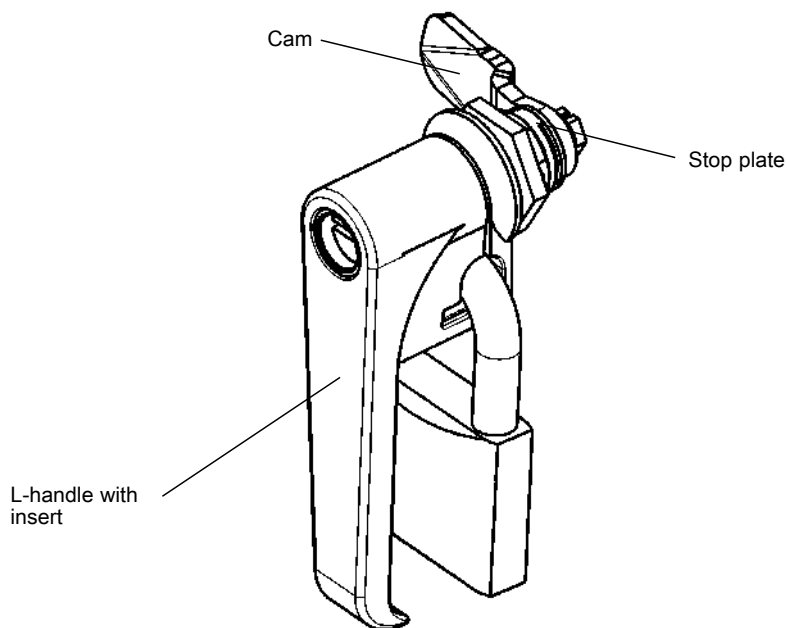


L-handle with housing zinc-die; lock and spring stainless steel;  
earthing nut and screw m.s. zinc-plated; with seal

|            | chrome-plated | black powder-coated |             | chrome-plated | black powder-coated |
|------------|---------------|---------------------|-------------|---------------|---------------------|
| Dim. A = 7 | 1000-U501     | 1000-U502           | Dim. A = 10 | 1000-U189     | 1000-U402           |

# L-handle quarter turn for padlock

## PROGRAM 1000



L-handle with housing zinc die black powder-coated;  
stop plate zinc die right and left usable;  
nut and screw m.s. zinc-plated; with seal

with insert slot 2 x 4 coinproof zinc die chrome-plated

1000-U770

without insert

1000-U771

**Insert is spring-loaded (2 hand operation)**

**Attention:**  
L-handle is locked when a padlock is fitted.

**Further parts see page**

- Cam without catch 1C-120
- Accessories 1C-360
- 1C-380

**Further inserts (e.g. see page 1B-620)**

**on request!**

Info

1 Quarter turns

2 Rod controls

3 Locking systems

4 Hinges

5 Seals

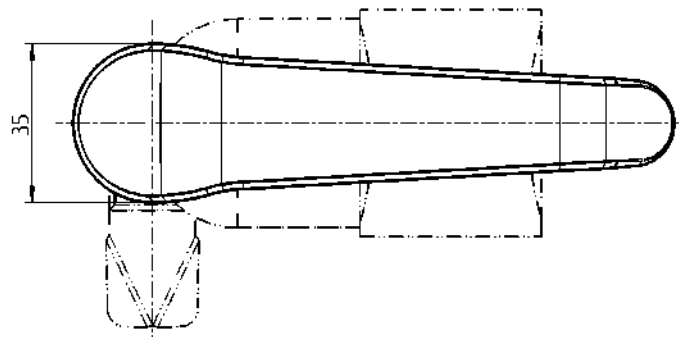
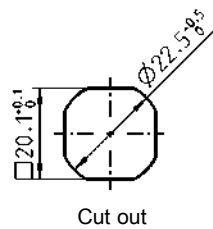
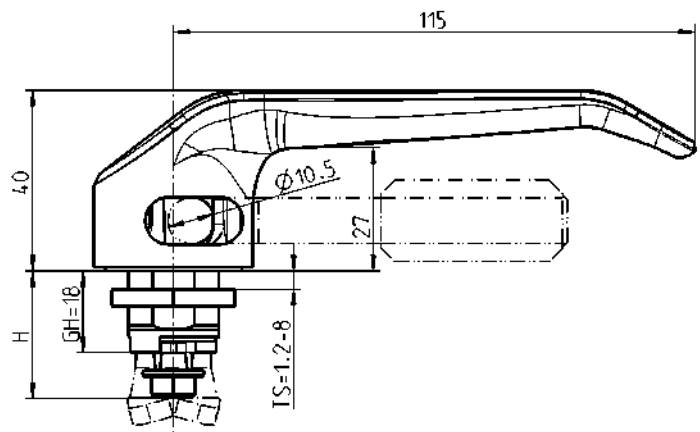
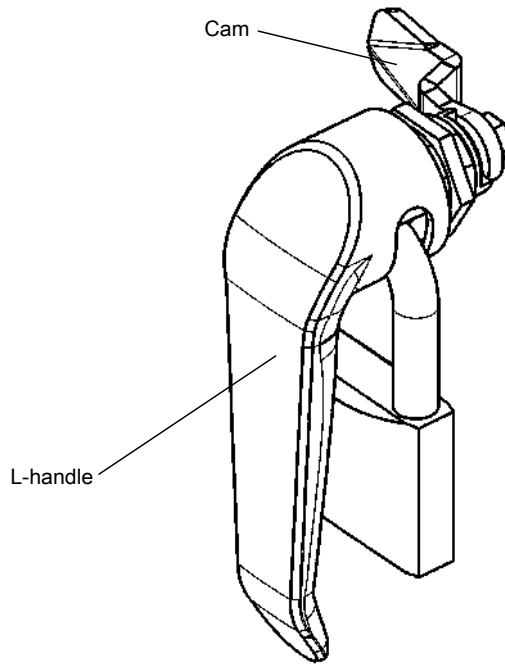
6 Handles

7 Aluminium windows

8 Miscellaneous

9 Special catalogues

Index



**Attention:**  
L-handle is locked when a padlock is fitted.

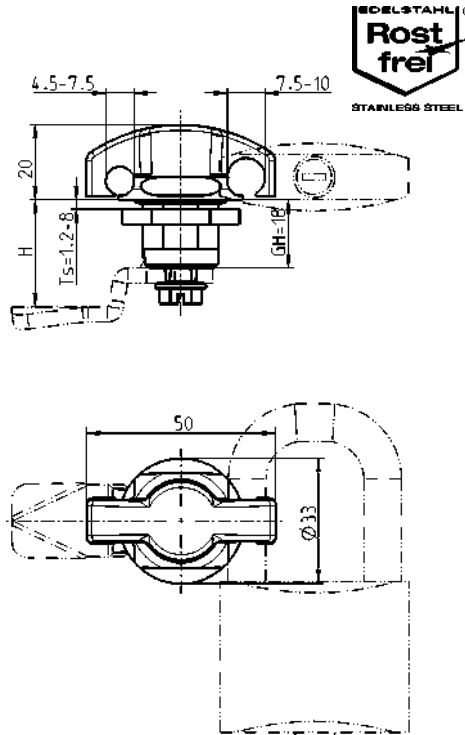
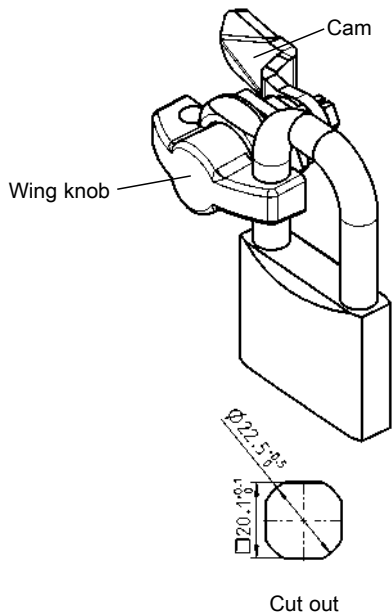
**Further parts see page**  
– Cam with catch 1C-120

**L-handle material of choice;**  
**nut and screw m.s. zinc-plated or stainless steel;**  
**with seal**

|                              |                |
|------------------------------|----------------|
| Zinc die black powder-coated | 1000-U860-01AA |
| Zinc die chrome-plated       | 1000-U860-011A |
| AISI 316                     | 1000-U860      |

# Quarter turn for padlock

## PROGRAM 1000



Wing knob and housing zinc die black powder-coated;  
nut and screw m.s. zinc-plated; with seal

1000-U429-01

Wing knob and housing AISI 316;  
nut and screw stainless steel; with seal.

1000-U429-01PH



IP 65

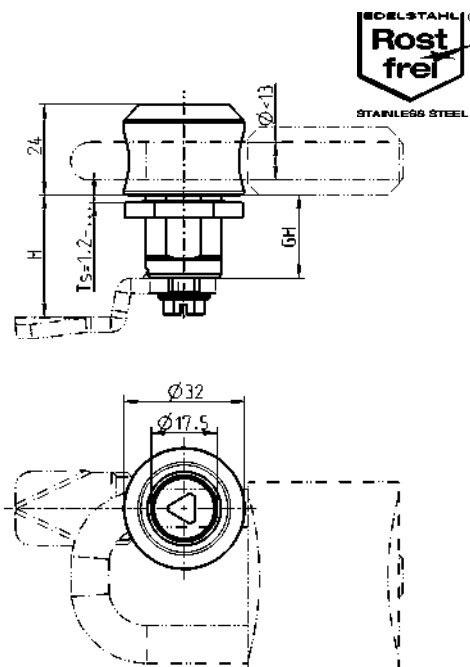
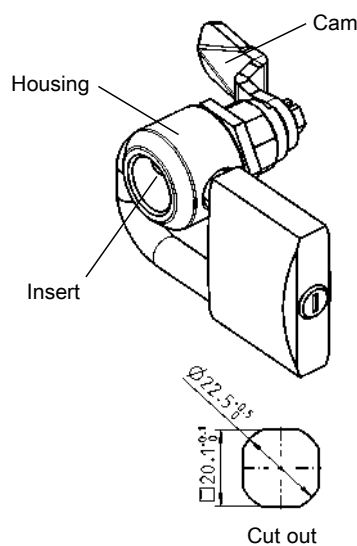
**Attention:**

The wing knob cannot be moved when the padlock with the corresponding shackle diameter is hooked in.

For shackle Ø 4.5 to 10

**Further parts see page**

- Cam with catch 1C-120 to 1C-180
- Accessories from 1C-340



For shackle ≤ Ø 13

**Note:**

Quarter turn assembly 1B-105

**Further parts see page**

- Insert 1B-140
- IP 65 or IP 66 1B-140
- Cam with catch 1C-120
- Accessories from 1C-340
- Escutcheon 3B-140
- Key 8B-120

| GH | TS< | Housing zinc die black powder-coated; nut m.s. zinc-plated | Housing zinc die black powder-coated; earthing nut m.s. zinc-plated | Housing AISI 303; nut AISI 303 |
|----|-----|--|---|--------------------------------|
| 22 | 13  | 1000-U436  | 1000-U438   | 1000-U436-PF                   |
| 32 | 23  | 1000-U437  | 1000-U439   | -                              |
| 42 | 33  | 1000-U734  | 1000-U735   | -                              |



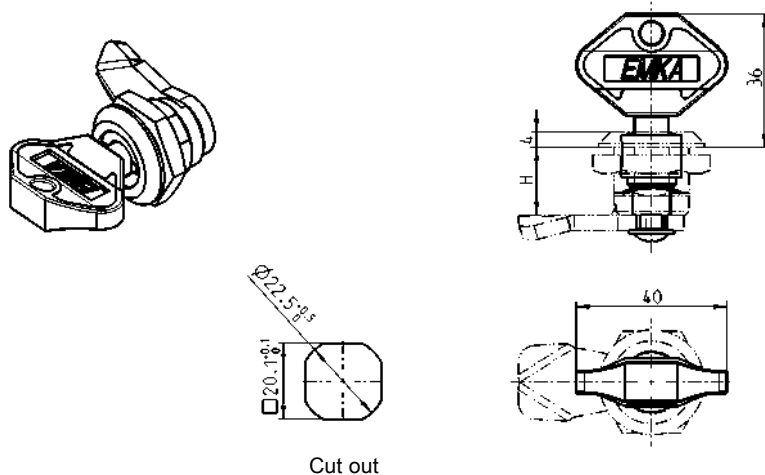


# Clip-in key, Wing knob for insert

## PROGRAM 1000

### Clip-in key

Key can be used as handle



The key clips into the insert with its clip-in arms and is captivated.  
The key cannot be removed without destruction unless lock is disassembled.

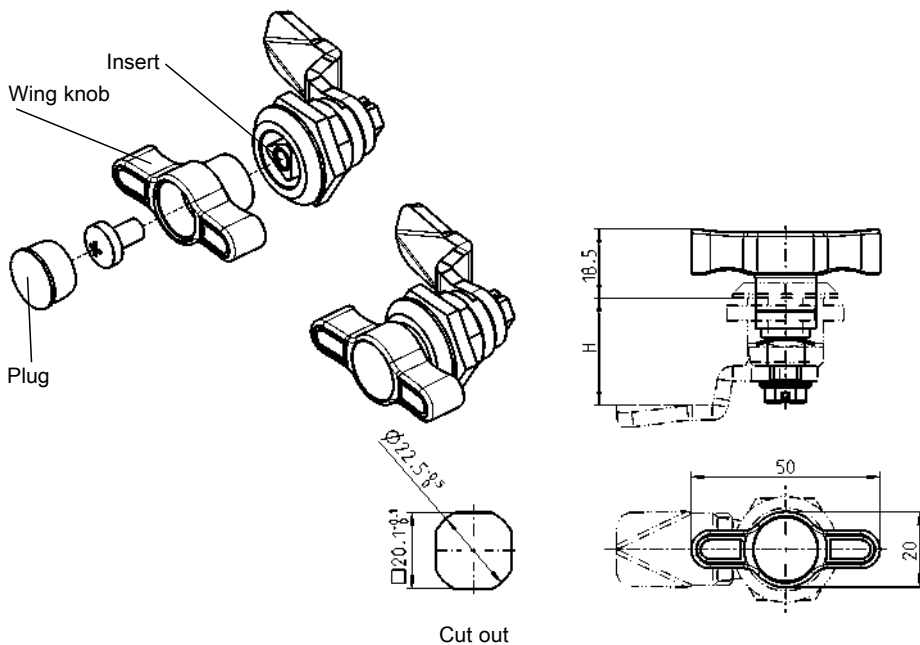
**Insert polyamide black;  
spring washer and self-cutting screw m.s. zinc-plated**

|              |           |              |           |
|--------------|-----------|--------------|-----------|
| Double bit 3 | 1000-U745 | Double bit 5 | 1000-U744 |
|--------------|-----------|--------------|-----------|

**Key polyamide black**

|                  |            |                  |            |
|------------------|------------|------------------|------------|
| Key double bit 3 | 1004-34-01 | Key double bit 5 | 1004-33-01 |
|------------------|------------|------------------|------------|

### Wing knob for insert



**Wing knob polyamide GF black; plugs PE black;  
fixing material m.s. zinc-plated**

|              |           |                   |           |
|--------------|-----------|-------------------|-----------|
| for square 8 | 1000-U764 | for triangular 10 | 1000-U762 |
|--------------|-----------|-------------------|-----------|

**Insert with female thread M6 zinc die chrome-plated**

|          |           |               |           |
|----------|-----------|---------------|-----------|
| Square 8 | 1000-U765 | Triangular 10 | 1000-U763 |
|----------|-----------|---------------|-----------|



Key can be used as handle

**Further parts see page**  
– Housing and cam 1B-160



**Note:**  
Quarter turn assembly 1B-105

**Further parts see page**  
– Housing 1B-140  
1B-160  
– Cam with catch 1C-120  
to 1C-180  
– Accessories from 1C-340

Info

1 Quarter turns



2 Rod controls



3 Locking systems



4 Hinges

**IP 40**

**Characteristics:**  
Easy to install!

Easy to assemble by using clip fix plastic parts.

5 Seals

6 Handles



7 Aluminium windows

**Attention:**  
GH reduced from 18 to 15

8 Miscellaneous

**Note:**  
Quarter turn assembly 1B-105

9 Special catalogues

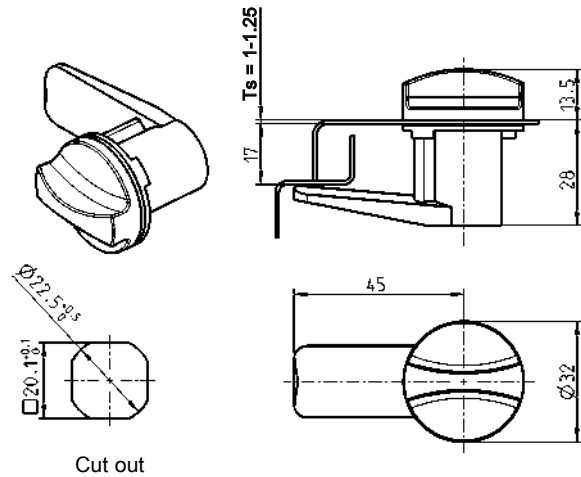
**Further parts see page**  
 – Insert 1B-140  
 – Cam with catch 1C-120 (GH = 18)  
 Attention: With this cam, the H-dimension is reduced by 3 mm.  
 – Key 8B-120

Index

**1B-760**

(1B-220)

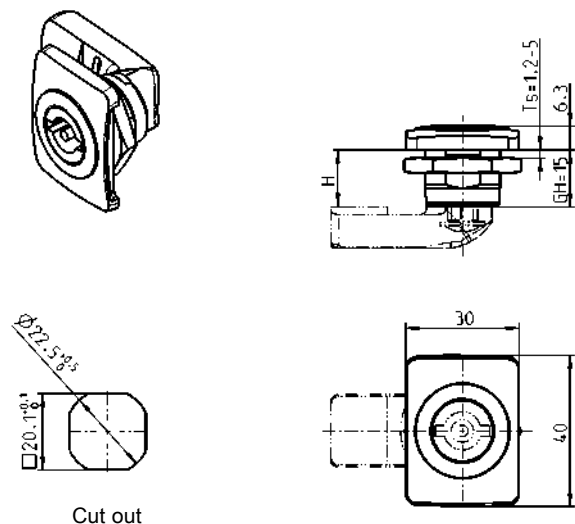
Clip-in quarter turn



Clip-in quarter turn polyamide GF, RH / LH version

|               |           |
|---------------|-----------|
| black         | 1000-U349 |
| grey RAL 7032 | 1000-U350 |

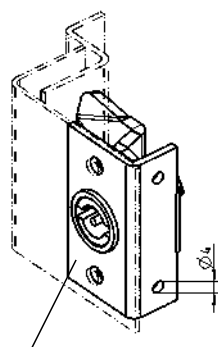
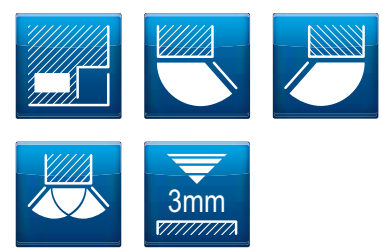
Housing for quarter turns



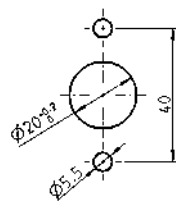
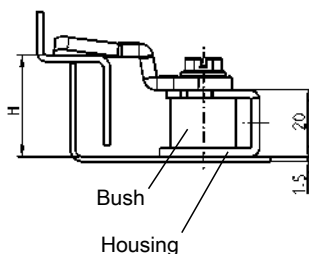
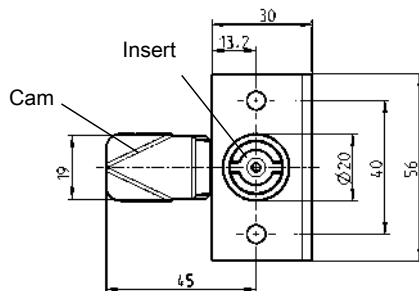
Housing polyamide GF black; nut m.s. zinc-plated

|                           |              |
|---------------------------|--------------|
| Right-hand version        | 1000-U740    |
| Left-hand version         | 1000-U740-01 |
| <b>IP 65 achieved by:</b> |              |
| Flat seal                 | 1000-23      |
| O-ring                    | 1000-24      |
| <b>IP 66 achieved by:</b> |              |
| Seal set                  | 1000-U769    |

# Quarter turn, screw-on or weld-on PROGRAM 1000



Bush with flush housing available on request



Cut out  
Bore holes Ø 5.5 are omitted when welding on



| Cam m.s. zinc-plated<br>Dim. H |          |
|--------------------------------|----------|
| 6                              | 1000-112 |
| 8                              | 1000-22  |
| 10                             | 1000-113 |
| 12                             | 1000-21  |
| 15                             | 1000-20  |
| 16                             | 1000-19  |
| 18                             | 1000-18  |
| 20                             | 1000-17  |
| 22                             | 1000-16  |
| 24                             | 1000-15  |
| 26                             | 1000-14  |
| 27                             | 1000-27  |
| 28                             | 1000-50  |
| 30                             | 1000-13  |
| 32                             | 1000-28  |
| 34                             | 1000-26  |
| 36                             | 1000-12  |
| 37                             | 1000-11  |
| 38                             | 1000-51  |
| 40                             | 1000-52  |
| 42                             | 1000-25  |
| 44                             | 1000-53  |
| 46                             | 1000-54  |
| 49                             | 1000-55  |
| 52                             | 1000-56  |

### Housing m.s. raw; bush zinc die zinc-plated

|                             |         |
|-----------------------------|---------|
| Right-hand version as drawn | 1057-U1 |
| Left-hand version           | 1057-U2 |

Housing also available zinc-plated on request.

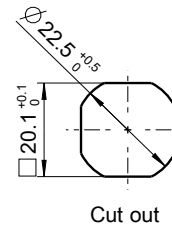
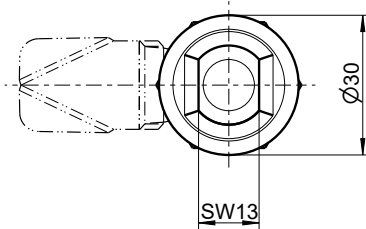
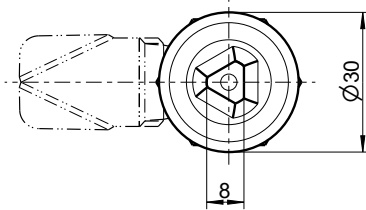
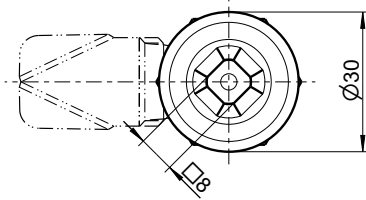
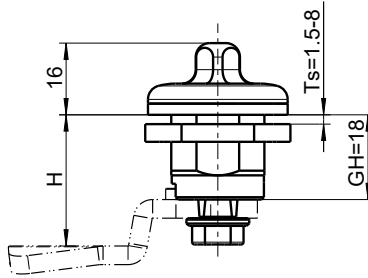
Further parts see page

|          |        |
|----------|--------|
| - Insert | 1B-140 |
| - Key    | 8B-120 |



Quarter turn for hygienic areas for food and medical sector

St. steel quarter turn for hygienic areas with flat seal flush on the outside



Note:  
The quarter turns for hygienic areas meet the hygiene requirement acc. to DIN EN 1672-2, DIN EN 14159 and EHEDG Dok.8.

The seals meet the requirements of the FDA 21 CFR 177.2600 and VO 1935/2004.

Further parts see page  
– Cam with catch 1C-120  
(GH = 18)

#### Quarter turn for hygienic areas AISI 303 or 316L; with seal

AISI 303 - for food sector

AISI 316L - for food and medical sector

|                          |                |
|--------------------------|----------------|
| Square 8, AISI 303       | 1000-U960-01PF |
| Square 8, AISI 316L      | 1000-U960-01   |
| Triangular 8, AISI 303   | 1000-U941-01PF |
| Triangular 8, AISI 316L  | 1000-U941-01   |
| Hygiene SW 13, AISI 303  | 1000-U838-02PF |
| Hygiene SW 13, AISI 316L | 1000-U838-02   |

#### Key handle polyamide blue

|               |         |
|---------------|---------|
| Square 8      | 1004-62 |
| Triangular 8  | 1004-61 |
| Hygiene SW 13 | 1004-60 |

#### Key zinc die raw

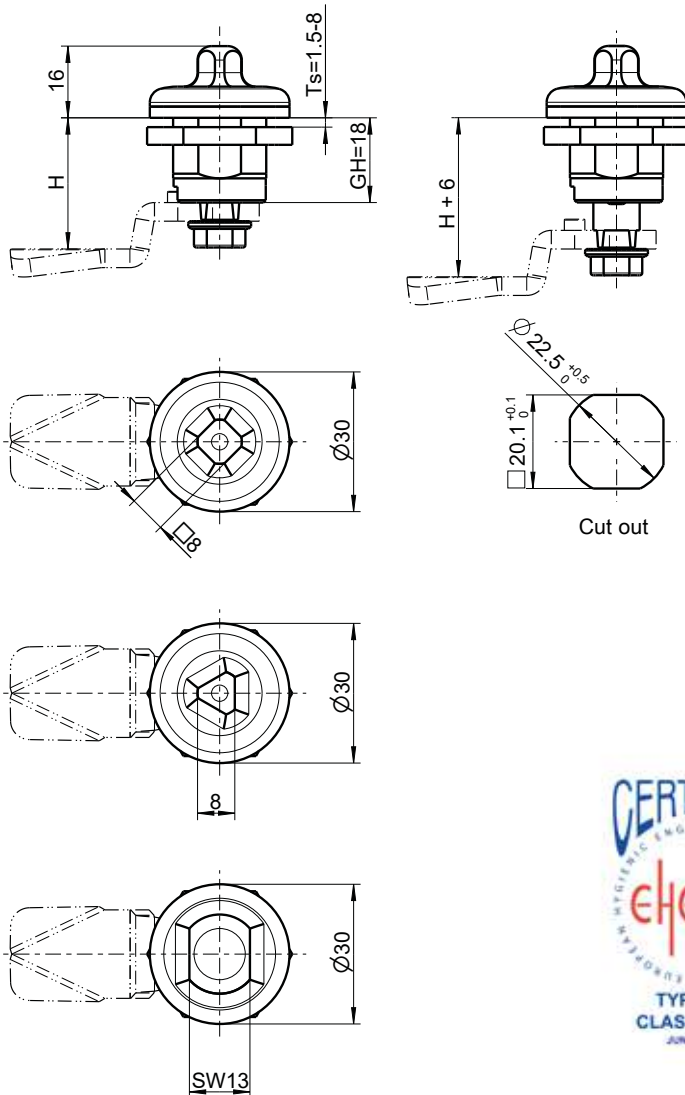
|               |         |
|---------------|---------|
| Hygiene SW 13 | 1004-53 |
|---------------|---------|

# Stainless steel compression latch for hygienic areas

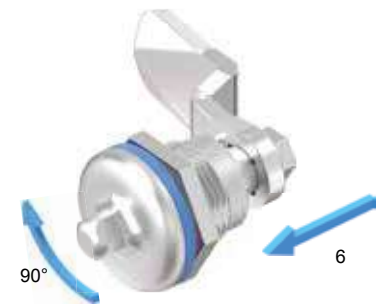
## PROGRAM 1000

Compression latch for hygienic areas for food and medical sector

St. steel compression latch for hygienic areas with flat seal flush on the outside



**Open condition**  
Turning the insert 90° causes the cam to rotate.



**Closed condition**  
Further rotation of the insert by 90° moves the cam 6 mm in axial direction.



**Compressed condition**

**Open:**  
Reversed motion

**Note:**  
The compression latches for hygienic areas meet the hygiene requirement acc. to DIN EN 1672-2, DIN EN 14159 and EHEDG Dok.8.

The seals meet the requirements of the FDA 21 CFR 177.2600 and VO 1935/2004.

**Further parts see page**  
– Cam with catch 1C-120  
(GH = 18)

### Compression latch for hygienic areas AISI 303 or 316L; with seal

AISI 303 - for food sector  
AISI 316L - for food and medical sector

|                                   |            |
|-----------------------------------|------------|
| Square 8, AISI 303                | on request |
| Square 8, AISI 316L               | 1000-U963  |
| Triangular 8, AISI 303            | on request |
| Triangular 8, AISI 316L           | 1000-U962  |
| Hygiene SW 13, AISI 303           | on request |
| Hygiene SW 13, AISI 316L          | 1000-U961  |
| <b>Key handle polyamide black</b> |            |
| Square 8                          | 1004-62    |
| Triangular 8                      | 1004-61    |
| Hygiene SW 13                     | 1004-60    |
| <b>Key zinc die raw</b>           |            |
| Hygiene SW 13                     | 1004-53    |

Info

1 Quarter turns



2 Rod controls



3 Locking systems



The compression latch for hygienic areas meets the hygiene requirement acc. to DIN EN 1672-2 and DIN EN 14159.

This item is completely IP69K, not only from outside to inside (common standard), but also within the application.

### Tamper and vibration-proof

The compression latch is designed to be vibration-proof as such. Depending on the installation location and operational conditions, specific checks are necessary and/or supplementary measures of fastening required.

4 Hinges



**Open condition**  
Turning the insert 90° causes the cam to rotate.

5 Seals



**Closed condition**  
Further rotation of the insert by 90° moves the cam 6 mm in axial direction.

6 Handles



### Compressed condition

**Open:**  
Reversed motion

**Further parts see page**  
– Cam with or without catch

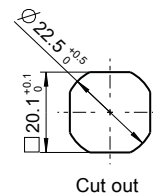
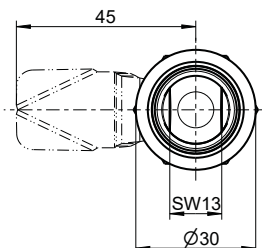
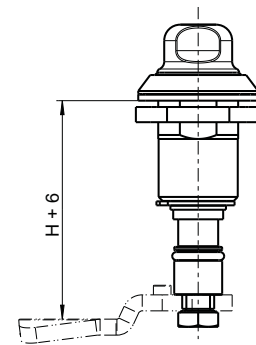
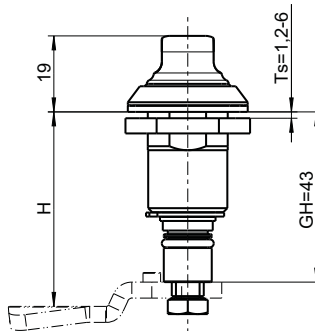
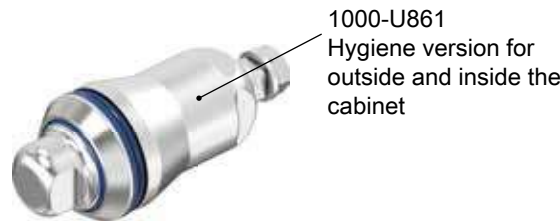
1C-120

7 Aluminium windows

8 Miscellaneous

9 Special catalogues

Index



### Compression latch for hygienic areas AISI 316L; with spring and seal

Hygiene version for outside and inside the cabinet on request

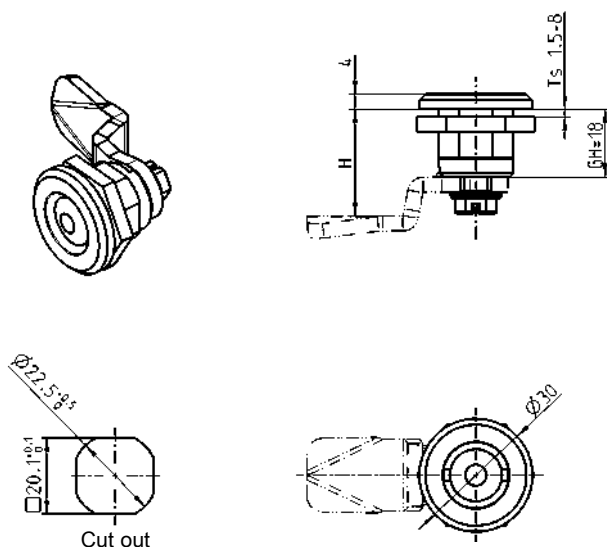
Hygiene version for outside the cabinet, not for inside 1000-U862

### Key zinc die raw

1004-53

# Quarter turn PROGRAM 1000

Quarter turn for Swedish power companies  
EBR standard



Housing with insert zinc die chrome-plated; screw and nut m.s. zinc-plated

1000-U768

IP 65 achieved by:

Flat seal

1000-23

O-ring

1000-24

IP 66 achieved by:

Seal set

1000-U769

Assembly on request

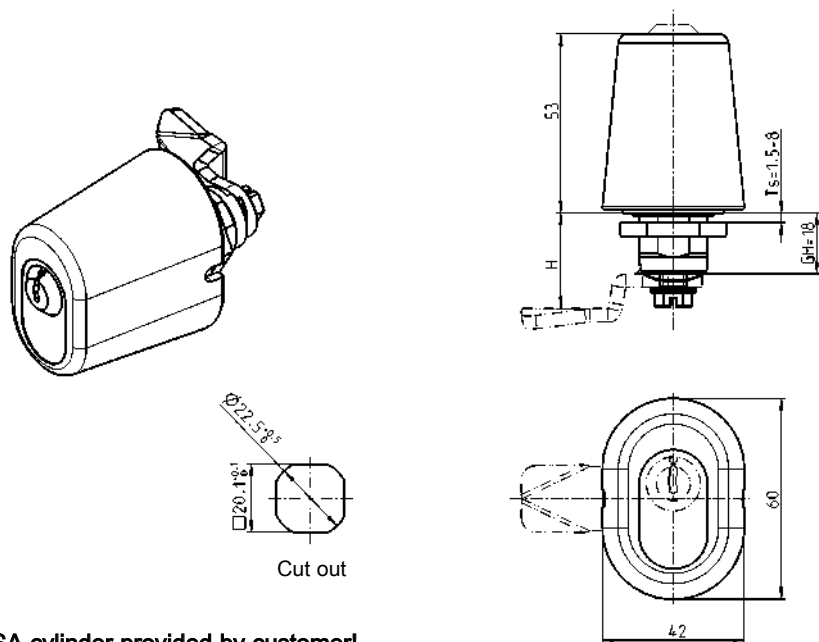
without O-ring

1000-990

with O-ring

1000-991

Wing knob quarter turn for ASSA cylinder



ASSA cylinder provided by customer!

Handle Polyamide black; housing zinc die zinc-plated;  
screws and nut m.s. zinc-plated; with seal

1000-U653



Further parts see page

– Cam with catch 1C-120 to 1C-180

– Accessories from 1C-170



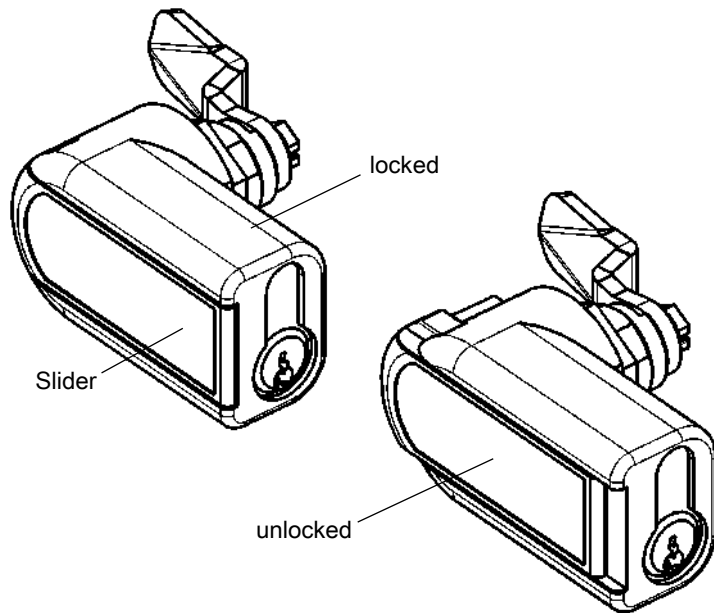
Further parts see page

– Cam with catch 1C-120 to 1C-180

### Quarter turn for profile half cylinder PROGRAM 1000

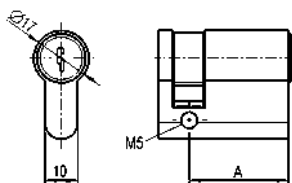
Tamper and vibration-proof with profile half cylinder acc. to DIN 18252 (EN1303)

Info  
1 Quarter turns  
2 Rod controls  
3 Locking systems  
4 Hinges  
5 Seals  
6 Handles  
7 Aluminium windows  
8 Miscellaneous  
9 Special catalogues  
Index



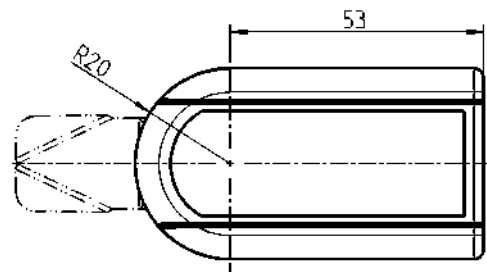
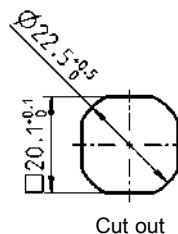
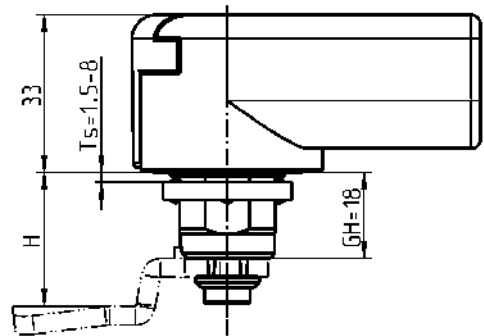
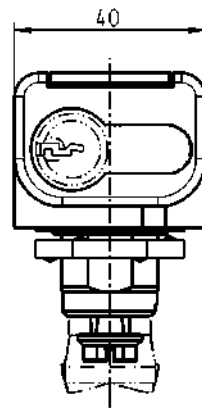
**Locking process with EMKA profile half cylinder**  
Locking possible without key.

**Locking process with profile half cylinder according to DIN 18252**  
Locking only possible with key.



Profile half cylinder acc. to DIN 18252 (EN 1303)  
Dim. A = 30 corresponds to the total length 40

The locking cam has to be between 3 and 5 o'clock locking position.



**Further parts see page**

- Cam with catch 1C-120
  - Profile half cylinder 3XB-120
- (Attention: the use of push button profile half cylinder and blind plug is not possible)

Housing zinc die; handle polyamide GF black;  
earthnut and screws m.s. zinc-plated;  
with spring and seal

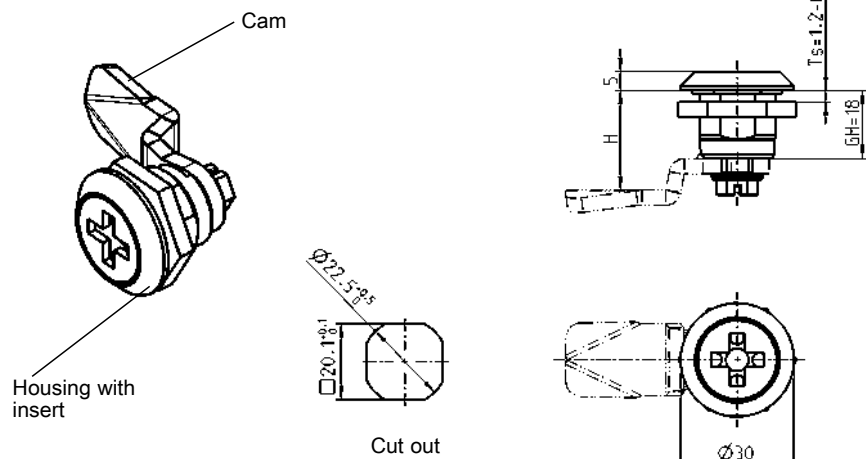
1000-U837



# FIAT and Railway quarter turn

## PROGRAM 1000

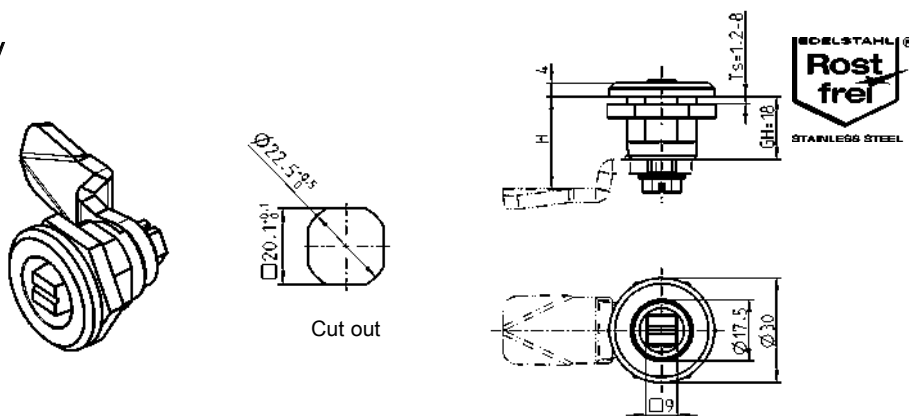
FIAT



Housing\* with insert zinc die chrome-plated;  
screw, nut or earthing nur m.s. zinc-plated; with seal

|  | Nut       | Earthing nut |
|--|-----------|--------------|
|  | 1000-U426 | 1000-U427    |

Railway



Housing zinc die surface of choice; screw, nut or earthing nut m.s. zinc-plated;  
insert material and surface of choice

| Insert m.s. zinc-plated                     | Nut          | Earthing nut |
|---|--------------|--------------|
| Housing chrome-plated                       | 1000-U431    | 1000-U499    |
| Housing black powder-coated                 | 1000-U432    | 1000-U500    |
| Insert zinc die chrome-plated               | Nut          | Earthing nut |
| Housing chrome-plated                       | 1000-U431-01 | -            |
| Housing with insert, screw and nut AISI 303 | 1000-U431-PF | -            |

IP 65 achieved by

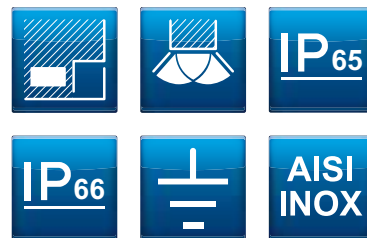
|           |         |
|-----------|---------|
| Flat seal | 1000-23 |
| O-ring    | 1000-24 |

IP 66 achieved by:

|          |           |
|----------|-----------|
| Seal set | 1000-U769 |
|----------|-----------|

Assembly on request

|                |          |
|----------------|----------|
| without O-ring | 1000-990 |
| with O-ring    | 1000-991 |



\* = IP 65



1 Quarter turns

2 Rod controls

3 Locking systems

4 Hinges

5 Seals

6 Handles

7 Aluminium windows

8 Miscellaneous

9 Special catalogues

Index

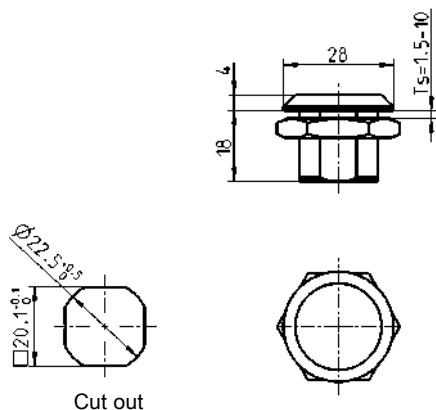
**Note:**  
Quarter turn assembly 1B-105

**Further parts see page**  
 - Cam with catch 1C-120 to 1C-180  
 - Accessories from 1C-170  
 - Escutcheon 3B-140  
 - Key 8B-120

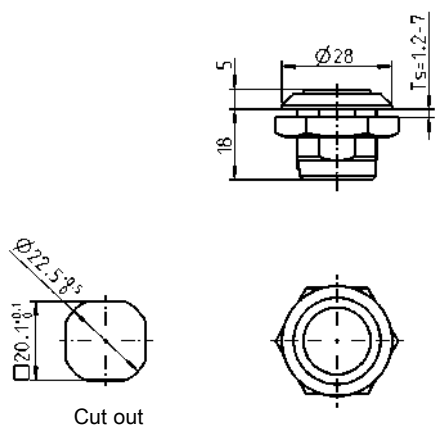


# Blind plug PROGRAM 1000

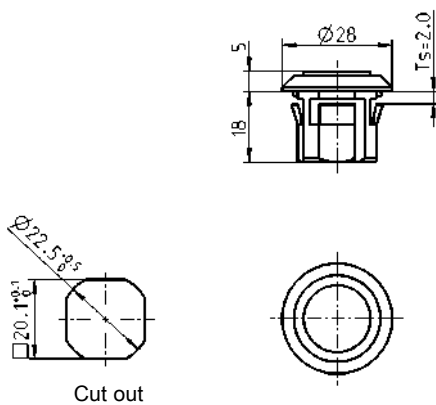
### Version A: Nut fixing



### Version B: Nut fixing



### Version C: Clip-in fixing



Version A



Version B



Version C

**Version A: Housing zinc die surface of choice; nut m.s. zinc-plated**

|                     |           |
|---------------------|-----------|
| black powder-coated | 1000-U933 |
| chrome-plated       | 1000-U934 |

**Version B: Housing and nut polyamide GF black; plug polyethylene black**

1000-U936

**Version C: Housing polyamide GF black; plug polyethylene black; with O-ring**

|       |           |
|-------|-----------|
| IP 50 | 1000-U935 |
|-------|-----------|

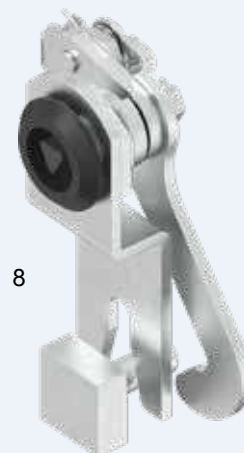
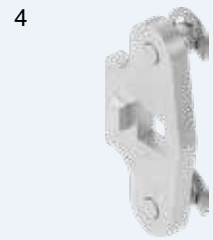
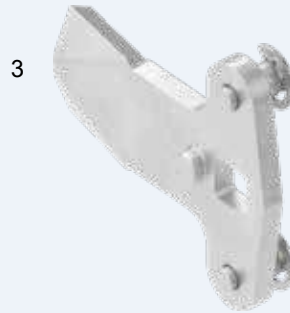
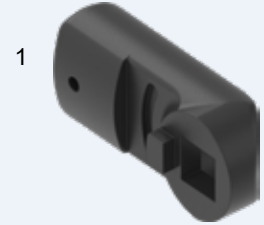
**Version A and B: IP 65 is achieved by**

|           |         |
|-----------|---------|
| Flat seal | 1000-23 |
|-----------|---------|

# Quarter turn accessories

## Large version

### Program 1000

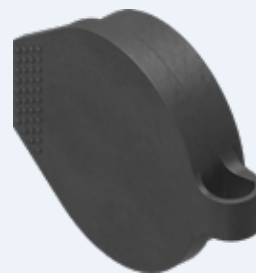




9



10



11



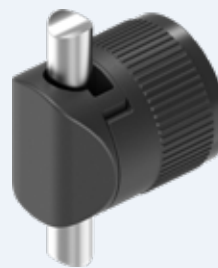
11



12



13



15

14



15

14

- |    |   |                |
|----|---|----------------|
| 1  | Cam with or without catch                         | 1C-120, 1C-137 |
| 2  | Rod control for steel cam and stainless steel cam | 1C-120         |
| 3  | Cam with rod control                              | 1C-120         |
| 4  | Rod control                                       | 1C-120         |
| 5  | Ramp  | 1C-170         |
| 6  | Hooked cam  | 1C-160         |
| 7  | Slam cam  | 1C-180         |
| 8  | Hook lever lock                                   | 1C-180         |
| 9  | Inside handle for cam                             | 1C-170         |
| 10 | Finger pull                                       | 1C-320         |
| 11 | Dust cap  | 1C-320, 1C-340 |
| 12 | Anti-rotation device                              | 1C-360         |
| 13 | Dish for quarter turn                             | 1C-380         |
| 14 | Rod   | 1C-620         |
| 15 | Rod guide   | 1C-630, 1C-640 |



**1C-100**

# Cam with catch, Cam without catch

## PROGRAM 1000

Info  
1 Quarter turns  
2 Rod controls  
3 Locking systems  
4 Hinges  
5 Seals  
6 Handles  
7 Aluminium windows  
8 Miscellaneous  
9 Special catalogues  
Index

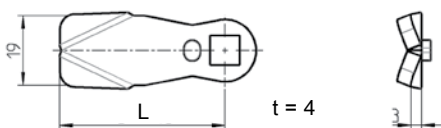


Cam with catch

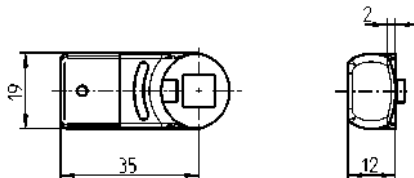


Cam without catch  
on request

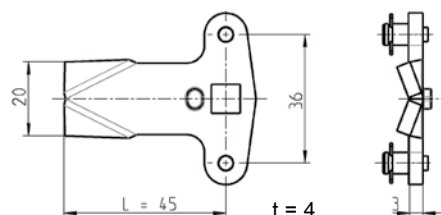
Version 1  
Cam



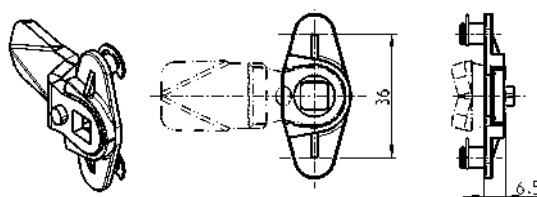
Version 2  
Cam



\*Version 3  
Cam with rod control (flank cam)



\*Version 4  
Rod control for steel cam or stainless steel cam



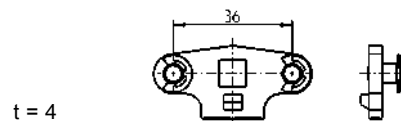
Rod control zinc die zinc-plated,  
circlip m.s. zinc-plated

1000-U776

Rod control AISI 316,  
circlip stainless steel

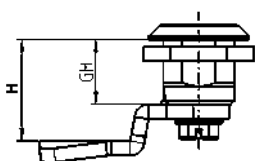
1000-U776-PH

\*Version 5  
Rod control



Rod control m.s. zinc-plated

1000-U167



minus offset ↑  
straight version  
↓ plus offset

### Cam with catch, material of choice

#### H-dimensions for GH =

|    |    |    |    |    |    |    |    |    |    |    |    |    |    | Version 1                      |                    |
|----|----|----|----|----|----|----|----|----|----|----|----|----|----|--------------------------------|--------------------|
| 18 | 22 | 28 | 30 | 31 | 32 | 36 | 39 | 40 | 42 | 43 | 45 | 50 | 60 | L = 45<br>m.s. zinc-<br>plated | L = 45<br>AISI 304 |
| 4  | 8  | 14 | 16 | 17 | 18 | 22 | 25 | 26 | 28 | 29 | 31 | 36 | 46 | 1000-112                       | -                  |
| 6  | 10 | 16 | 18 | 19 | 20 | 24 | 27 | 28 | 30 | 31 | 33 | 38 | 48 | 1000-22                        | 1000-221           |
| 8  | 12 | 18 | 20 | 21 | 22 | 26 | 29 | 30 | 32 | 33 | 35 | 40 | 50 | 1000-113                       | -                  |
| 10 | 14 | 20 | 22 | 23 | 24 | 28 | 31 | 32 | 34 | 35 | 37 | 42 | 52 | 1000-21                        | 1000-223           |
| 13 | 17 | 23 | 25 | 26 | 27 | 31 | 34 | 35 | 37 | 38 | 40 | 45 | 55 | 1000-20                        | -                  |
| 14 | 18 | 24 | 26 | 27 | 28 | 32 | 35 | 36 | 38 | 39 | 41 | 46 | 56 | 1000-19                        | 1000-225           |
| 15 | 19 | 25 | 27 | 28 | 29 | 33 | 36 | 37 | 39 | 40 | 42 | 47 | 57 | -                              | -                  |
| 16 | 20 | 26 | 28 | 29 | 30 | 34 | 37 | 38 | 40 | 41 | 43 | 48 | 58 | 1000-18                        | -                  |
| 18 | 22 | 28 | 30 | 31 | 32 | 36 | 39 | 40 | 42 | 43 | 45 | 50 | 60 | 1000-17                        | 1000-227           |
| 20 | 24 | 30 | 32 | 33 | 34 | 38 | 41 | 42 | 44 | 45 | 47 | 52 | 62 | 1000-16                        | 1000-228           |
| 22 | 26 | 32 | 34 | 35 | 36 | 40 | 43 | 44 | 46 | 47 | 49 | 54 | 64 | 1000-15                        | 1000-179           |
| 24 | 28 | 34 | 36 | 37 | 38 | 42 | 45 | 46 | 48 | 49 | 51 | 56 | 66 | 1000-14                        | 1000-229           |
| 25 | 29 | 35 | 37 | 38 | 39 | 43 | 46 | 47 | 49 | 50 | 52 | 57 | 67 | 1000-27                        | -                  |
| 26 | 30 | 36 | 38 | 39 | 40 | 44 | 47 | 48 | 50 | 51 | 53 | 58 | 68 | 1000-50                        | 1000-230           |
| 28 | 32 | 38 | 40 | 41 | 42 | 46 | 49 | 50 | 52 | 53 | 55 | 60 | 70 | 1000-13                        | 1000-180           |
| 30 | 34 | 40 | 42 | 43 | 44 | 48 | 51 | 52 | 54 | 55 | 57 | 62 | 72 | 1000-28                        | 1000-232           |
| 32 | 36 | 42 | 44 | 45 | 46 | 50 | 53 | 54 | 56 | 57 | 59 | 64 | 74 | 1000-26                        | -                  |
| 34 | 38 | 44 | 46 | 46 | 48 | 52 | 55 | 56 | 58 | 59 | 61 | 66 | 76 | 1000-12                        | -                  |
| 35 | 39 | 45 | 47 | 48 | 49 | 53 | 56 | 57 | 59 | 60 | 62 | 67 | 77 | 1000-11                        | -                  |
| 36 | 40 | 46 | 48 | 49 | 50 | 54 | 57 | 58 | 60 | 61 | 63 | 68 | 78 | 1000-51                        | -                  |
| 38 | 42 | 48 | 50 | 51 | 52 | 56 | 59 | 60 | 62 | 63 | 65 | 70 | 80 | 1000-52                        | -                  |
| 40 | 44 | 50 | 52 | 53 | 54 | 58 | 61 | 62 | 64 | 65 | 67 | 72 | 82 | 1000-25                        | -                  |
| 42 | 46 | 52 | 54 | 55 | 56 | 60 | 63 | 64 | 66 | 67 | 69 | 74 | 84 | 1000-53                        | -                  |
| 44 | 48 | 54 | 56 | 57 | 58 | 62 | 65 | 66 | 68 | 69 | 71 | 76 | 86 | 1000-54                        | -                  |
| 45 | 49 | 55 | 57 | 58 | 59 | 63 | 66 | 67 | 69 | 70 | 72 | 77 | 87 | 1000-10                        | -                  |
| 47 | 51 | 57 | 59 | 60 | 61 | 65 | 68 | 69 | 71 | 72 | 74 | 79 | 89 | 1000-55                        | -                  |
| 50 | 54 | 60 | 62 | 63 | 64 | 68 | 71 | 72 | 74 | 75 | 78 | 82 | 92 | 1000-56                        | -                  |

\* When using cams for rod operation you must be aware that the rods travel in an axial direction.



The ramp increases the compression by 4 mm.  
see catalogue page 1C-170



**Note:**

This catalogue page does not show all available cams.  
Other versions such as:  
– Cams without catch  
– Cams with other H- and L-dimension  
– Cams with recess in the opposite direction  
– etc.  
please ask.

| Version 1          | Version 1                  |                                   | Version 2             | Version 3           |           |
|--------------------|----------------------------|-----------------------------------|-----------------------|---------------------|-----------|
| L = 45<br>AISI 316 | L = 35<br>m.s. zinc-plated | L = 35 ①<br>Polyamide<br>GF black | Polyamide<br>GF black | m.s.<br>zinc-plated | AISI 304  |
| -                  | -                          | -                                 | -                     | 1000-U63            | -         |
| 1000-221-PD        | -                          | -                                 | -                     | 1000-U21            | -         |
| -                  | -                          | -                                 | -                     | 1000-U64            | -         |
| 1000-223-PD        | -                          | -                                 | -                     | 1000-U22            | -         |
| -                  | -                          | -                                 | -                     | 1000-U23            | -         |
| 1000-225-PD        | -                          | -                                 | -                     | 1000-U24            | -         |
| -                  | -                          | 1000-5043-SI                      | -                     | -                   | -         |
| -                  | -                          | -                                 | -                     | 1000-U25            | -         |
| 1000-227-PD        | 1000-5046                  | 1000-5046-SI                      | 1000-386-18           | 1000-U26            | -         |
| 1000-228-PD        | 1000-5161                  | -                                 | 1000-386-20           | 1000-U27            | -         |
| 1000-179-PD        | 1000-5119                  | -                                 | 1000-386-22           | 1000-U28            | -         |
| 1000-229-PD        | -                          | -                                 | 1000-386-24           | 1000-U29            | 1000-U139 |
| -                  | -                          | -                                 | -                     | 1000-U30            | -         |
| 1000-230-PD        | -                          | -                                 | -                     | 1000-U31            | -         |
| 1000-180-PD        | 1000-5164                  | -                                 | 1000-386-28           | 1000-U32            | 1000-U140 |
| -                  | -                          | -                                 | 1000-386-30           | 1000-U33            | -         |
| -                  | -                          | -                                 | -                     | 1000-U34            | -         |
| -                  | -                          | -                                 | -                     | 1000-U35            | -         |
| -                  | -                          | -                                 | -                     | 1000-U36            | -         |
| -                  | -                          | -                                 | -                     | 1000-U37            | -         |
| -                  | -                          | -                                 | -                     | 1000-U38            | -         |
| -                  | -                          | -                                 | -                     | 1000-U39            | -         |
| -                  | -                          | -                                 | -                     | 1000-U40            | -         |
| -                  | -                          | -                                 | -                     | 1000-U41            | -         |
| -                  | -                          | -                                 | -                     | 1000-U42            | -         |
| -                  | -                          | -                                 | -                     | 1000-U43            | -         |
| -                  | -                          | -                                 | -                     | 1000-U44            | -         |

① only for light doors and flaps

**Note:**  
The H-dimension of the cam increases by 4 mm when using the ramp (see page 1C-170)

The H-dimension will be reduced by 2 mm when used with the finger pull (see page 1C-320)

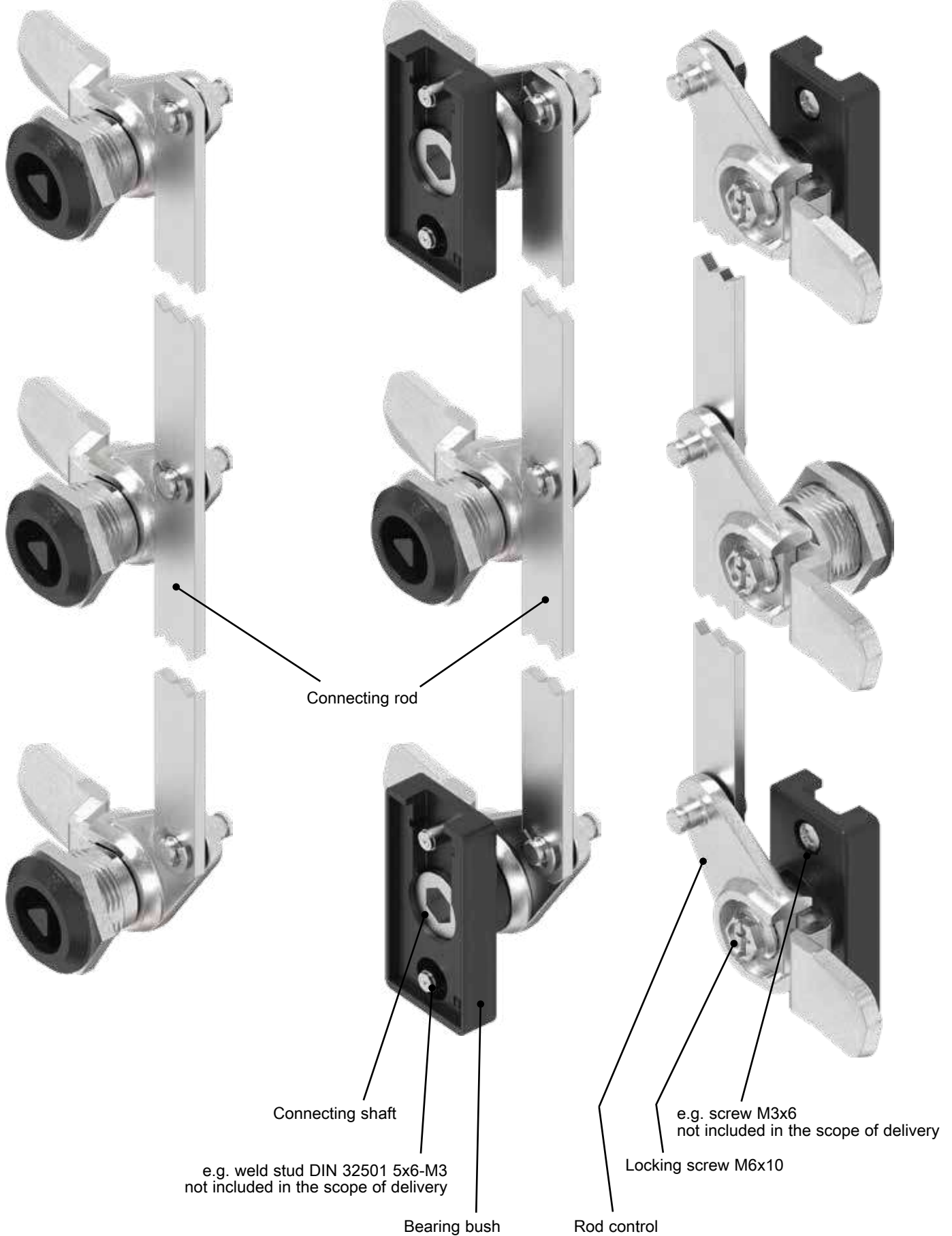
- Further parts see page**
- Ramp 1C-170
  - Rod 1C-620
  - Quarter turn 1B-120
  - 1B-140
  - for quick mounting 1B-180
  - 1B-220
  - 1B-230
  - 1B-320
  - to 1B-335
  - 1B-360
  - to 1B-760
  - 1B-835
  - to 1B-860
  - 1C-170
  - Inside handle
  - Swinghandle 1152 with compression 3C-540
  - Swinghandle 3N-120

# Rod control for multiple interlocking

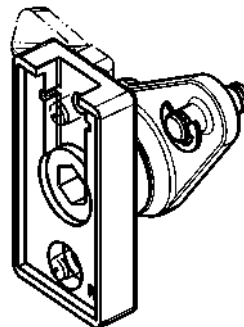
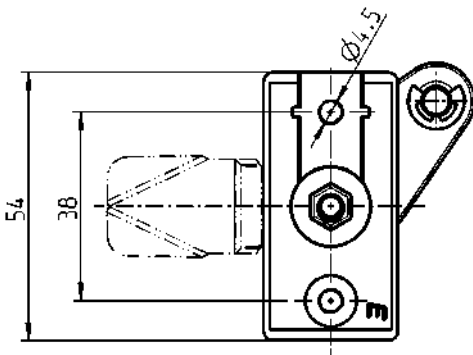
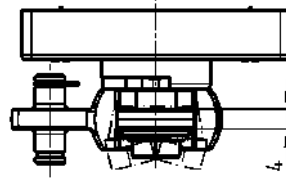
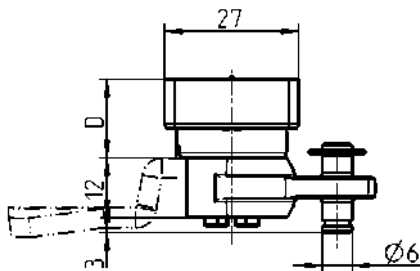
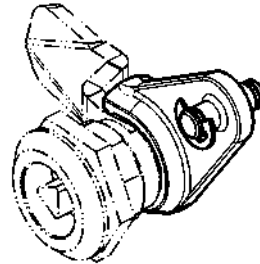
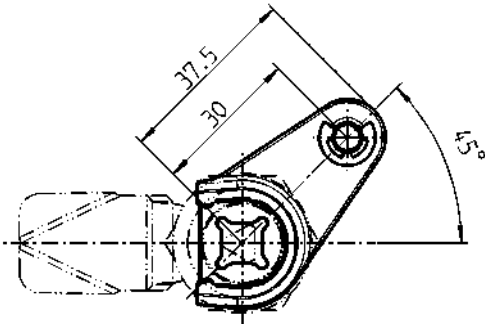
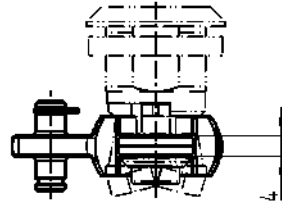
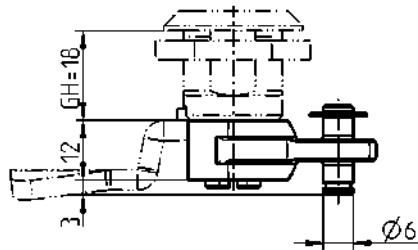
## PROGRAM 1000

Example with three quarter turns

Example with one quarter turn and two bearing bushes







**Rod control zinc die, zinc-plated or AISI 316; circlip m.s. zinc plated or stainless steel**

Zinc die zinc-plated 1000-U874

AISI 316 1000-U874-VA

**Bearing bush polyamide GF black**

| for Ts | Dim. D | with stopper left | with stopper right |
|--------|--------|-------------------|--------------------|
| 1.5    | 16.5   | 1125-83-015       | 1125-84-015        |
| 2.0    | 16.0   | 1125-83-020       | 1125-84-020        |

**Connecting shaft zinc-die**

1000-556-KA

**Locking screw M6x10 for connecting shaft m.s. zinc-plated**

1000-277-01JB

**Connecting rod m.s. zinc-plated**

Length, number of bore holes and spacing according to customer specifications on request

**Note:**

When using the rod control for multi-point locking, the screw-in depth of the screw is reduced by 4 mm

**Further parts see page**

|                         |        |
|-------------------------|--------|
| - Cam (version 1)       | 1C-120 |
| - Quarter turn          | 1B-120 |
| (only for GH =18)       | 1B-140 |
|                         | 1B-330 |
|                         | 1B-332 |
| (only 1x lockable)      | 1B-520 |
| (only 1x lockable)      | 1B-540 |
| (only 1x lockable)      | 1B-560 |
| (only 1x lockable)      | 1B-580 |
| (bottom)                | 1B-720 |
| (not with bearing bush) | 1B-820 |
| (bottom only 1x)        | 1B-840 |
| (only 1x)               | 1B-850 |
| (bottom)                | 1B-860 |

Info

1 Quarter turns



2 Rod controls

3 Locking systems

4 Hinges

5 Seals

6 Handles

7 Aluminium windows

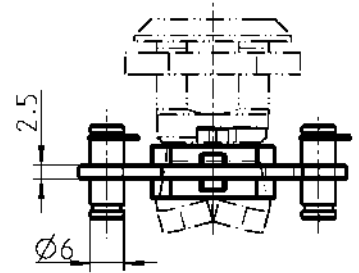
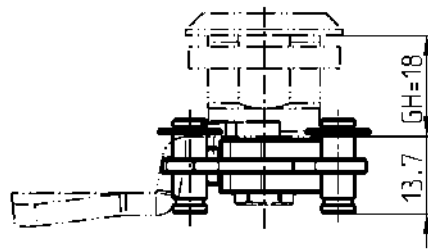
8 Miscellaneous

9 Special catalogues

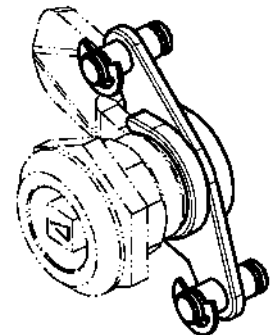
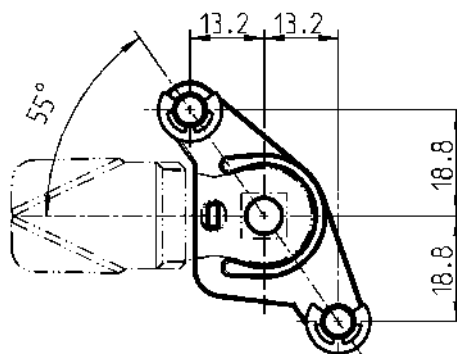
Index



Only cams with stopper made of steel and stainless steel can be used.



Stroke 32 mm



**Attention:**

Only cams with stopper made of steel and stainless steel can be used.

**Note:**

When using the rod control for cam, the screw-in depth of the screw is reduced by 2.5 mm

**Further parts see page**

- Cam (version 1) 1C-120
- Ramp 1C-170
- Quarter turn 1B-120
- 1B-140
- 1B-320
- 1B-335
- 1B-360
- 1B-520
- to 1B-690
- (bottom) 1B-720
- 1B-820
- 1B-840
- 1B-850
- 1B-860
- Rod 3ZB-420

Attention: The rod length is reduced by 5.8 mm, as the stroke is 32 mm

Rod control in open position



Rod control zinc die zinc-plated, circlip m.s. zinc-plated

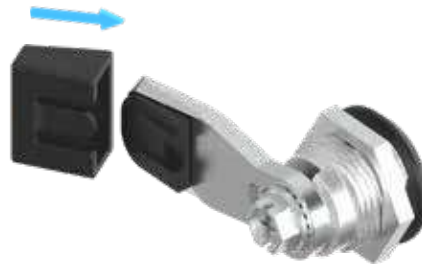
1150-U63

For cams made of steel and stainless steel

1.



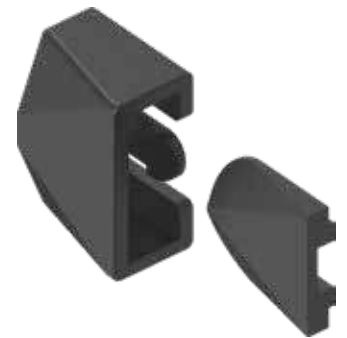
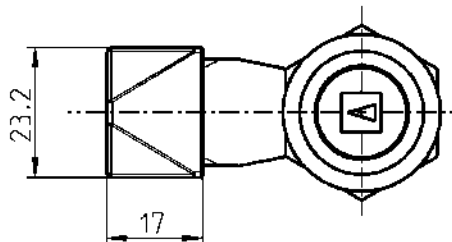
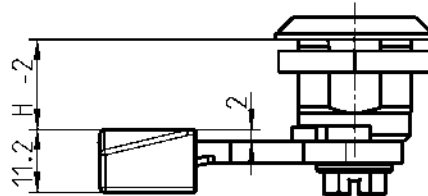
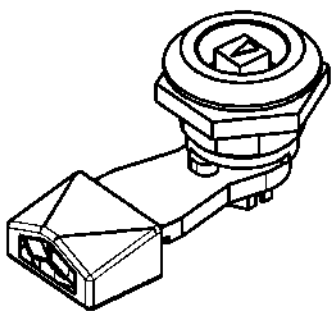
2.



3.



4.



**Note:**  
For cams made of steel and stainless steel

If the guiding shoe for the cam is used, the H-dimension is reduced by 2 mm

**Further parts see page**  
– Cam (version 1) 1C-120

Slide shoe POM black

1000-U892

Info

1 Quarter turns



2 Rod controls

3 Locking systems

4 Hinges

5 Seals

6 Handles

7 Aluminium windows

8 Miscellaneous

9 Special catalogues

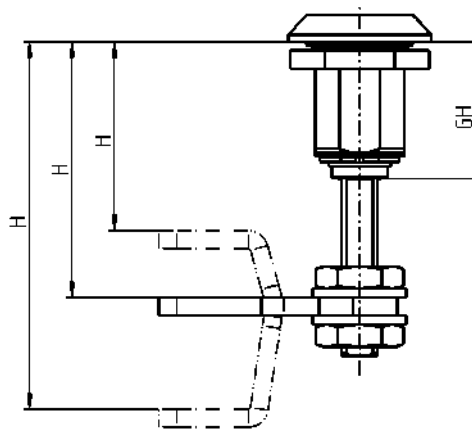
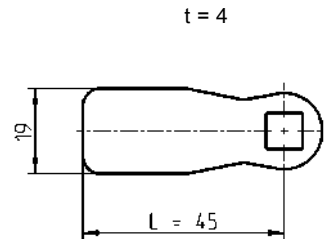
Index



straight cam



cranked cam



**Note:**  
Cranked cam can be used positively and negatively

**Further parts see page**

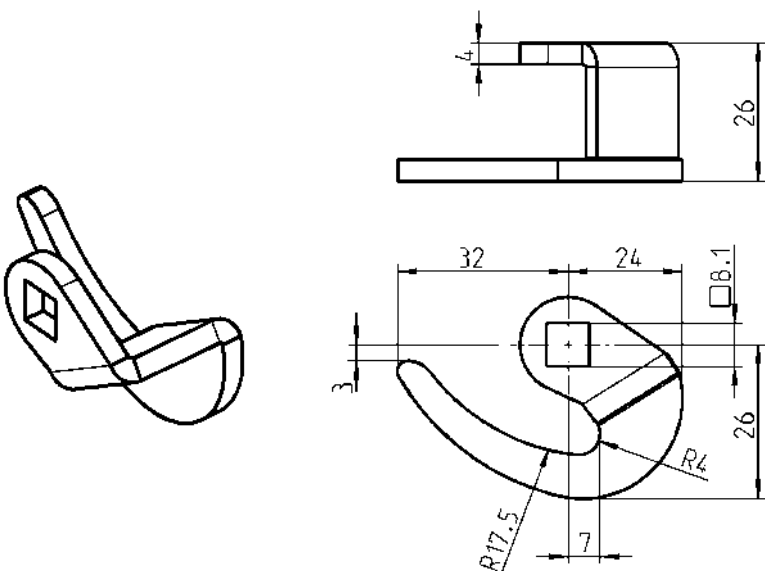
- Compression latch with insert 1B-222
- Compression latch with handle 1B-232
- Chest handle with compression function 8A-135

**Cam m.s. zinc-plated**

| for GH = 31 mm | H                  | GH = 31  |
|----------------|--------------------|----------|
| straight       | 38 - 58            | 1000-476 |
| Offset 14 mm   | 24 - 44 ; 52 - 72  | 1000-478 |
| Offset 26 mm   | 12 - 32 ; 64 - 84  | 1000-477 |
| for GH = 45 mm | H                  | GH = 45  |
| straight       | 52 - 72            | 1000-476 |
| Offset 14 mm   | 38 - 58 ; 66 - 86  | 1000-478 |
| Offset 26 mm   | 26 - 46 ; 78 - 98  | 1000-477 |
| for GH = 64 mm | H                  | GH = 64  |
| straight       | 71 - 91            | 1000-476 |
| Offset 14 mm   | 57 - 77 ; 85 - 105 | 1000-478 |
| Offset 26 mm   | 45 - 65 ; 97 - 117 | 1000-477 |

# Cam

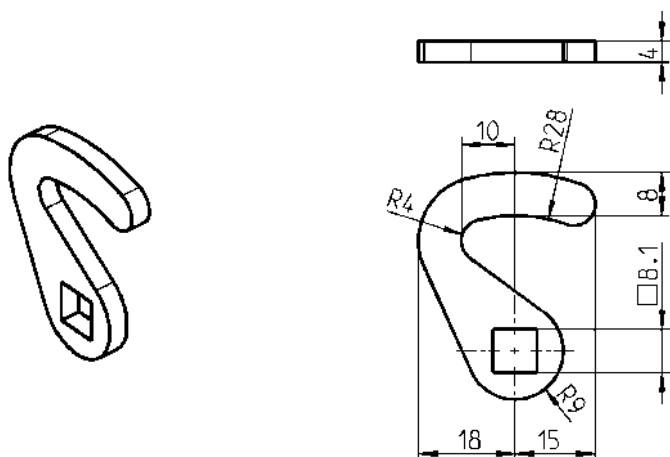
## PROGRAM 1000



Hooked cam for desk lid, LH version

m.s. zinc-plated

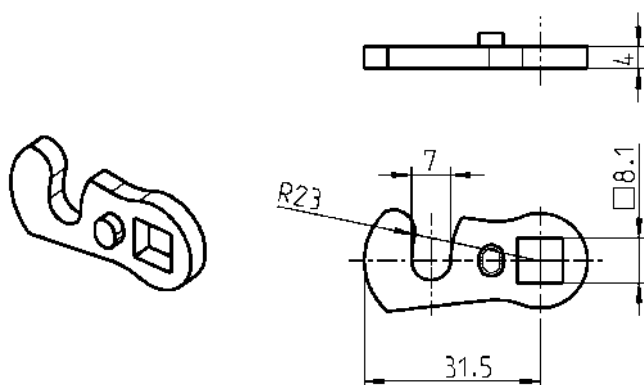
1000-91



Hooked cam, RH and LH version

m.s. zinc-plated

1000-93



Hooked cam, LH version

m.s. zinc-plated

1000-61



1 Quarter turns

2 Rod controls

3 Locking systems

4 Hinges

5 Seals

6 Handles

7 Aluminium windows

8 Miscellaneous

9 Special catalogues

Index



Further parts see page  
– Quarter turn

1B-120  
1B-140  
1B-320  
to 1B-335  
1B-360  
to 1B-760  
1B-835  
up tp 1B-860  
3N-120

– Swinghandle

Info

1 Quarter turns



2 Rod controls



3 Locking systems



4 Hinges

#### Attention:

Attention: When using the ramp, the H dim. of the cam increases by 4 mm as well as the A dim. by 4 mm of the cam on catalogue page 3YA-820.

5 Seals

#### Further parts see page

- Cam
  - 1C-120
  - 1C-130
  - 1C-140
  - 3YA-820
  - 3YA-840
  - 3YB-420
  - 3YB-440
  - 3YC-120
  - 3YC-140

6 Handles

7 Aluminium windows



8 Miscellaneous

#### Further parts see page

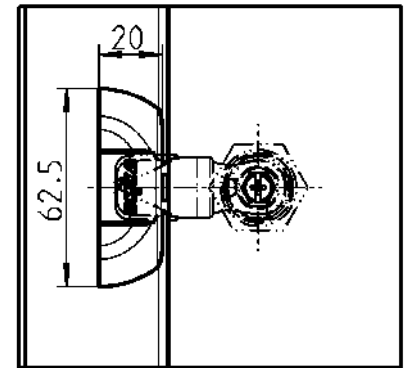
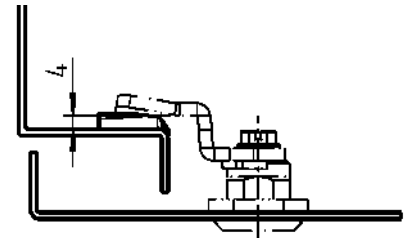
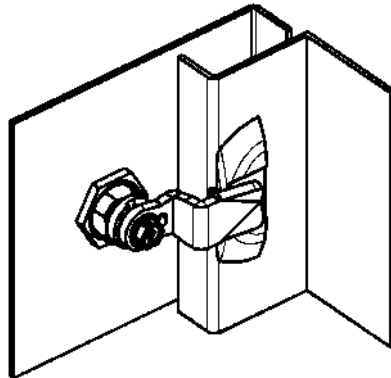
- Cam
  - 1C-120
  - 1C-130
- Quarter turn
  - 1B-120
  - 1B-140
  - 1B-360
  - (non locking) 1B-520
  - to (non locking) 1B-580
  - 1B-720
  - 1B-835
  - 1B-860

9 Special catalogues

Index



Installation example: door and frame shown from the inside

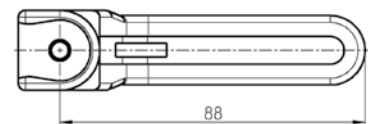
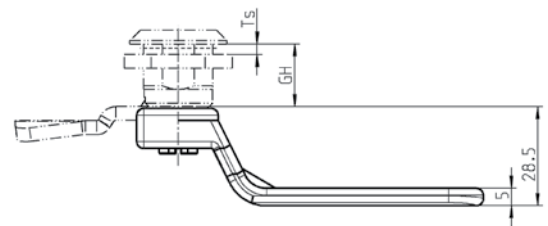
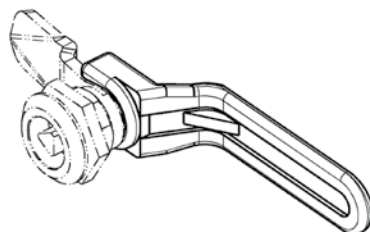


#### Product benefits

- The ramp increases the compression by 4 mm
- Good positioning of the cam by small recess in the ramp
- Prevents scratching of the frame

#### Ramp polyamide black, self-adhesive or rivetable

|                               |               |
|-------------------------------|---------------|
| self-adhesive                 | 1000-U858     |
| rivetable with bore hole Ø4.1 | 1000-510-01AA |



#### Internal handle polyamide red, screw m.s. zinc-plated, (cannot be used for lockable quarter turns and compression latches)

| GH | Ts 1.5- | M6 |           |
|----|---------|----|-----------|
| 18 | 8       | 16 | 1000-U681 |
| 30 | 20      | 25 | 1000-U682 |
| 36 | 26      | 30 | 1000-U683 |
| 40 | 30      | 40 | 1000-U684 |
| 50 | 40      | 50 | 1000-U685 |
| 60 | 50      | 55 | 1000-U686 |

# Hook lever lock, Slam cam

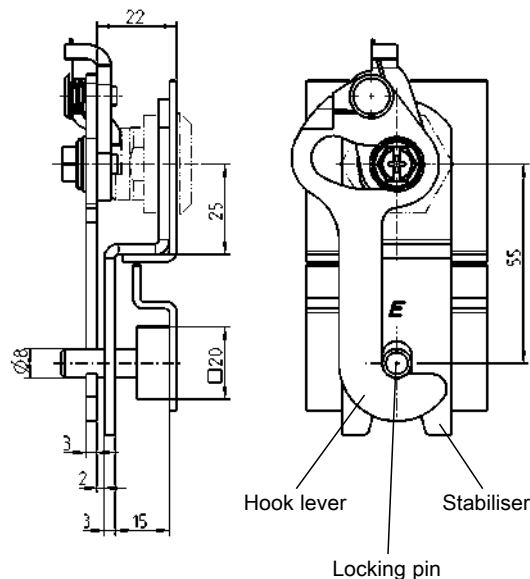
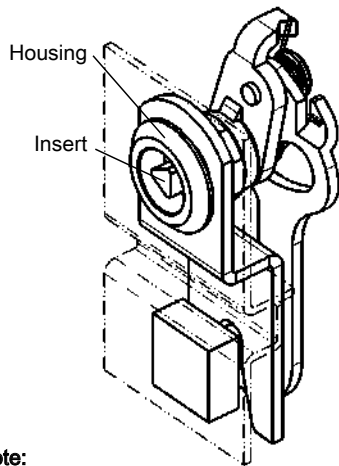
## PROGRAM 1000

Hook lever lock

with 90° turn, rotation and pulling movement to the cam

Note: Drawings and dimensions relate to quarter turns with GH = 18.

Hook stroke 5 mm



**Note:**  
When using quarter turns with GH-dimension >18, the length of the screw has to be checked.

### Hook lever lock m.s. zinc-plated consist of:

|             |          |
|-------------|----------|
| Hook lever  | 1000-U12 |
| Locking pin | 1000-49  |
| Stabiliser  | 1000-48  |



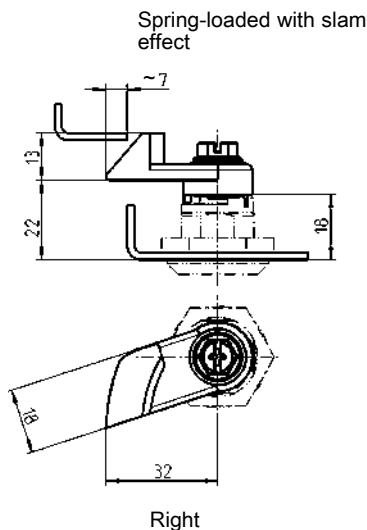
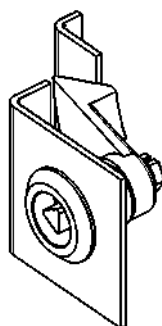
Slam cam

**Note:**  
Slam cam is designed for quarter turn with GH = 18.  
Other GH-dimensions on request.

The spring washer delivered with the insert has to be replaced by the enclosed spacer ring.

With the following slam cams IP 54 up to IP 69K is not possible!

Part no.:  
1000-U235-N  
1000-U235-NPH  
1000-U236-N  
1000-U236-NPH



### Slam cam zinc die chrome-plated, spacer, screw m.s. zinc-plated

for quarter turn see catalogue page

|  | Right       | Left        |
|--|-------------|-------------|
| 1B-120, 1B-140, 1B-360, 1B-830, 1B-835, 1B-860 | 1000-U235-N | 1000-U236-N |
| 1B-420 to 1B-680                               | 1000-U315-N | 1000-U316-N |

### Slam cam AISI 316, spacer, screw stainless steel

|  |               |               |
|--|---------------|---------------|
| 1B-120, 1B-140, 1B-360, 1B-830, 1B-835, 1B-860 | 1000-U235-NPH | 1000-U236-NPH |
|--|---------------|---------------|



Further parts see page  
– Quarter turn

1B-120  
1B-140  
1B-335  
1B-520  
to 1B-720  
1B-835  
up to 1B-860




**Attention:**

The H-dimension will be reduced by 2 mm with the finger pull installed.

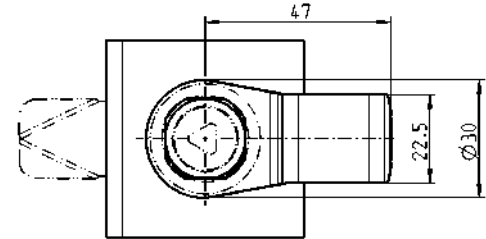
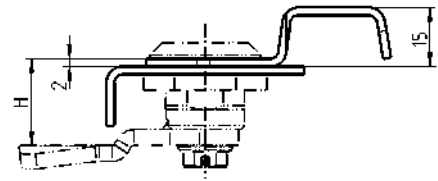
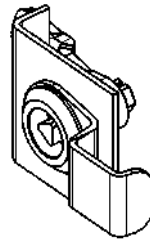

**Attention:**

The H-dimension will be reduced by 2 mm when using this dust cap.

Further parts see page  
– Quarter turn

1B-120  
to 1B-222  
1B-235  
to 1B-335  
1B-360  
1B-420  
1B-840  
1B-860

## ® Finger pull, Dust cap PROGRAM 1000

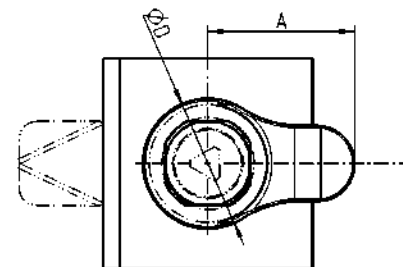
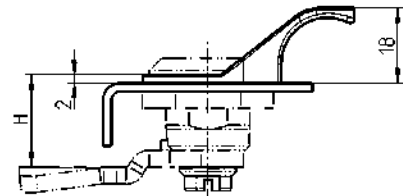
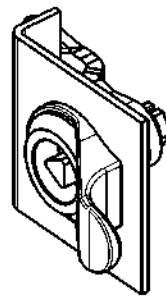

**Finger pull m.s. black powder-coated**

1000-359

**IP 65 achieved by:**

Flat seal

1000-23


**Finger pull polyamide GF black**
for housing with head diameter  $\varnothing 28$ 

; D = 31, A = 35

1000-358

for housing with head diameter  $\varnothing 30$  and  $\varnothing 32$ 

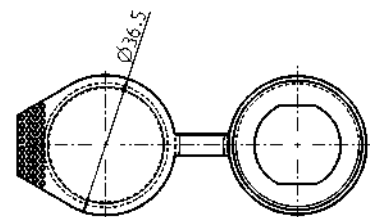
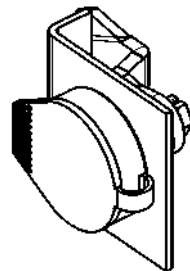
; D = 35, A = 36

1000-358-01

**IP 65 achieved by:**

Flat seal

1000-23


**Dust cap polyethylene black**

1000-97-01

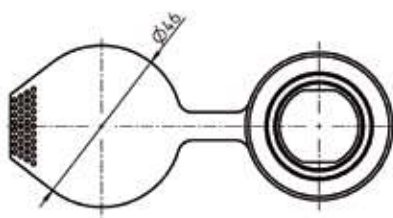
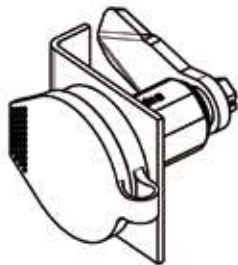
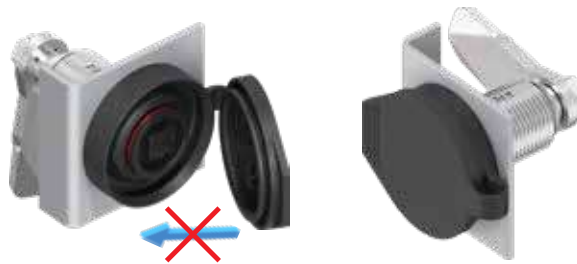


# Dust cap for high-speed trains, Dust cap for T-handle

## PROGRAM 1000

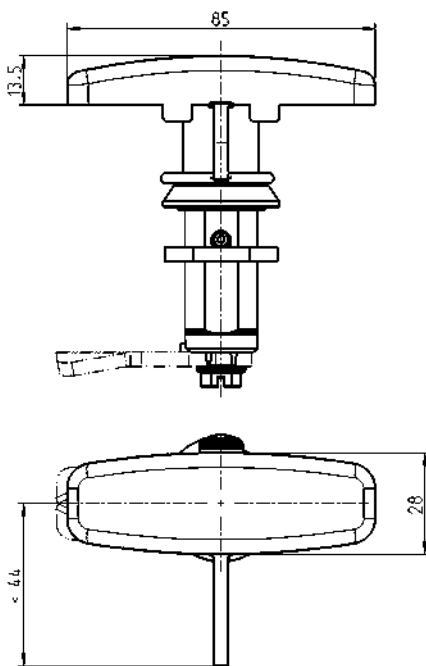
When combined use of dust cap and compression latch with optical open indicator (catalogue page 1B-237) an additional safety aspect is achieved.

In addition to the clearly visible red ring, the dust cap cannot be closed and is thus open.



Dust cap TPE, UV resistant, black

1000-97-02



### Also suitable for:

- Program 1000

(see catalogue page 1B-560)

- Program 1102

(see catalogue page 2A-140)

- Program 1005

(see catalogue page 2B-160)

- Program 1125

(see catalogue page 3B-180)

- Program 1225

(see catalogue page 3G-180)

- Program 2100

(see catalogue page 3H-220)

T-handle cap polypropylene black

1000-460



### Note

The dust cap was successfully tested by the Technical University of Dresden with respect to high-speed resistant class up to 450 km/h.

### Attention:

The H-dimension will be reduced by 2 mm when using this dust cap.

### Further parts see page

- Quarter turn

1B-120  
to 1B-222  
1B-235  
to 1B-335  
1B-360  
1B-420  
1B-840  
1B-860



Info

1 Quarter turns



2 Rod controls

3 Locking systems



4 Hinges

Further parts see page  
– Quarter turn

1B-120  
1B-140  
1B-330  
to 1B-335  
1B-520  
to 1B-680  
1B-835  
up to 1B-860

5 Seals

6 Handles



7 Aluminium windows

8 Miscellaneous

**Note:**  
The H-dimension will be reduced by 2 mm when anti-rotation device is on the outside.  
Ts-dimension will be reduced by 2 mm when used from the inside.

Further parts see page  
– Quarter turn

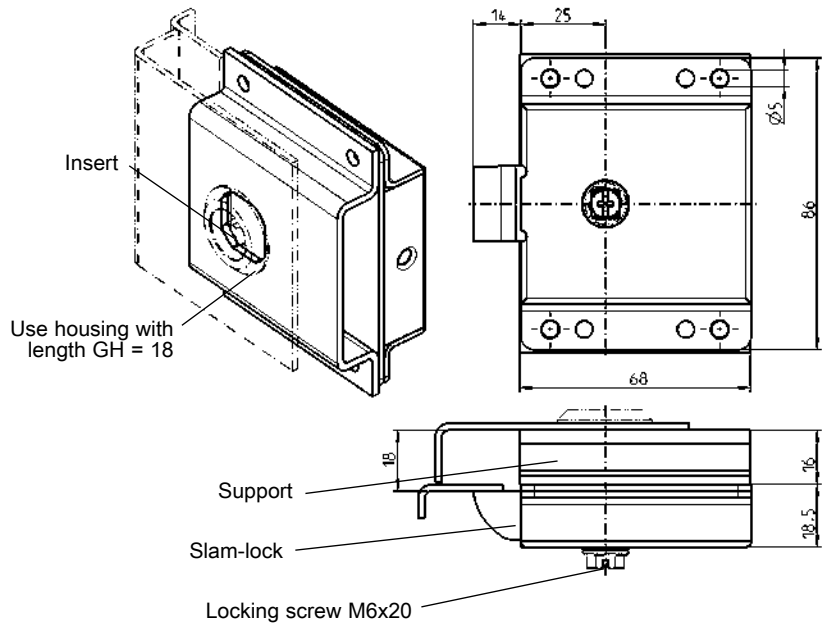
1B-120  
1B-140  
1B-220  
up to 1B-335  
1B-360  
to 1B-720  
1B-835  
up to 1B-860

9 Special catalogues

Index

**1C-360** 07/14

(1C-160, 1C-162, 1C-340)



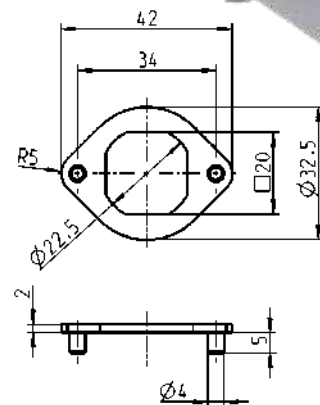
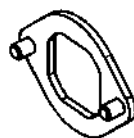
**Slam latch m.s. zinc-plated., zinc die raw and spring steel  
Support and vibration proof screw m.s. zinc-plated**

|                     |               |
|---------------------|---------------|
| Slam-lock           | 1034-U1       |
| Support             | 1034-03       |
| Locking screw M6x20 | 1000-277-04JB |

Front mounted anti-rotation device,  
under the housing



Back mounted anti-rotation device,  
under the nut

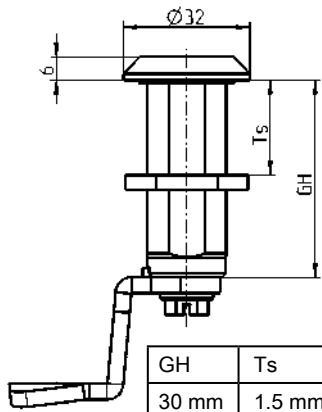


**Anti-rotation device zinc die, surface of choice**

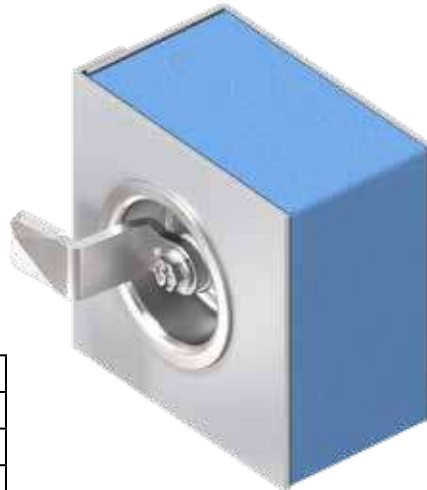
|                     |             |
|---------------------|-------------|
| black powder-coated | 1000-456-AA |
| zinc-plated         | 1000-456-JB |

# Dish

## PROGRAM 1000



| GH    | Ts              |
|-------|-----------------|
| 30 mm | 1.5 mm to 20 mm |
| 36 mm | 1.5 mm to 26 mm |
| 40 mm | 1.5 mm to 30 mm |
| 50 mm | 1.5 mm to 40 mm |
| 60 mm | 1.5 mm to 50 mm |



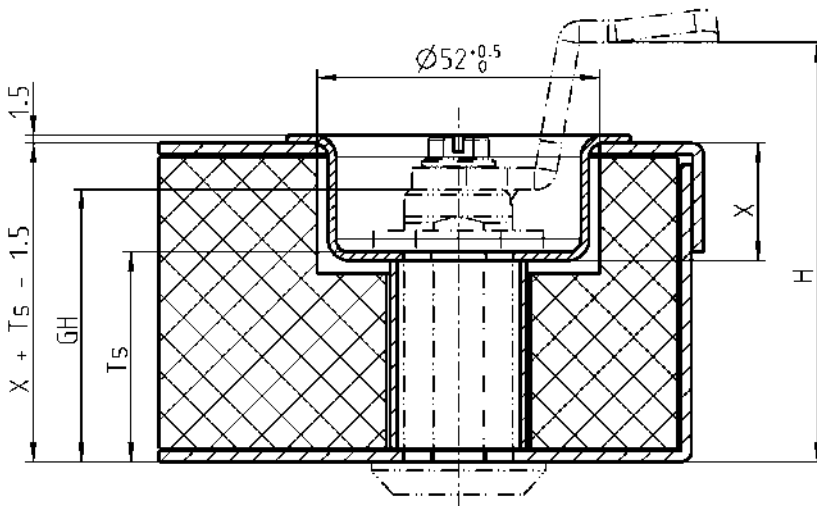
1 Quarter turns

2 Rod controls



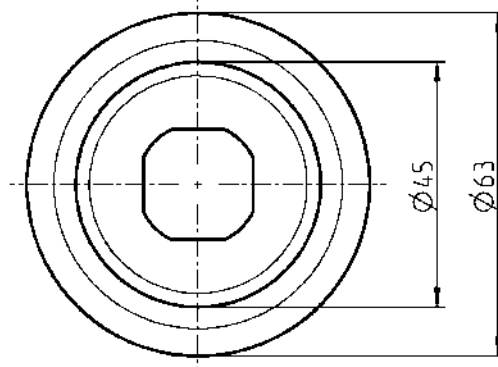
3 Locking systems

4 Hinges



5 Seals

6 Handles



7 Aluminium windows

8 Miscellaneous

9 Special catalogues

Dish to decrease the max. door thickness in conjunction with quarter turns for insulated doors or to align cut outs for quarter turns.

Further parts see page  
– Quarter turn

- 1B-120
- 1B-140
- 1B-220
- to 1B-235
- 1B-320
- up to 1B-335
- 1B-360
- to 1B-720
- 1B-835
- up to 1B-860

Dish m.s. zinc-plated

Dimension X

|         |          |
|---------|----------|
| 10.5 mm | 1000-264 |
| 17.5 mm | 1000-265 |
| 21.5 mm | 1000-266 |

# Rod

## PROGRAM UNIVERSAL

Minimum order quantity: 200 pieces  
Smaller quantities on request

Round rod  
in fixed lengths

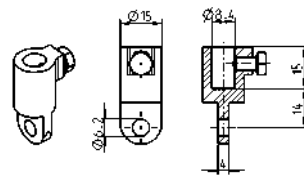
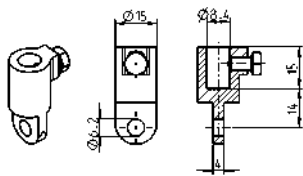
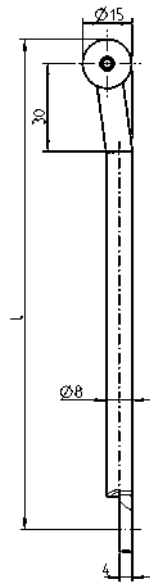
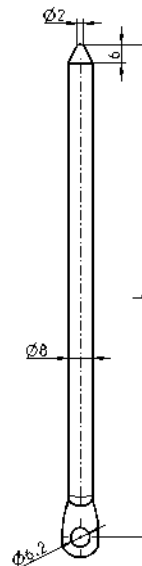
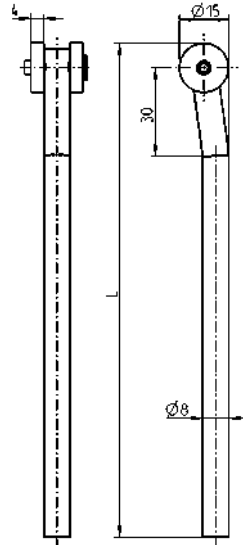
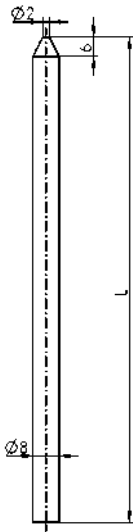
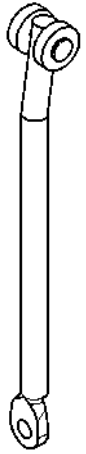
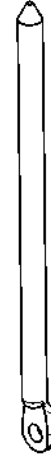
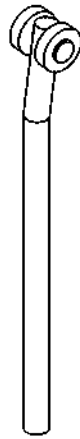
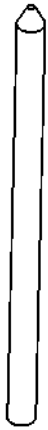
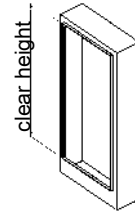
### Program 1000

Calculation of rod length L  
when pivot point is central

|              |                                      |
|--------------|--------------------------------------|
| with adapter | $\frac{\text{clear height} - 40}{2}$ |
| with eye     | $\frac{\text{clear height} - 12}{2}$ |

$L \leq 1200$

Order example: Order no. for a round rod with rollers and a length of 1034 mm  
= 1049-18-L 1034



with eye m.s. zinc pl.  
and rollers  
polyamide black

(not suitable for rod control program 1121 and 2121)  
1000-U144-L mm  
(1000-U144-01 to -17 see price list)

with pointed end  
m.s. zinc plated

1049-19-L mm

(1049-19-01 to -17 see price list)

Adapter

zinc die,  
m.s. z.pl.

AISI  
303

1000-U49

1000-U141

m.s. zinc pl., with rollers  
polyamide black

1049-U18-L mm

(1049-U18-01 to -17 see price list)

Adapter

zinc die,  
m.s. z.pl.

AISI  
303

1000-U49

1000-U141

with eye and pointed end,  
m.s. zinc plated

1000-211-L mm

(1000-211-01 to -17 see price list)

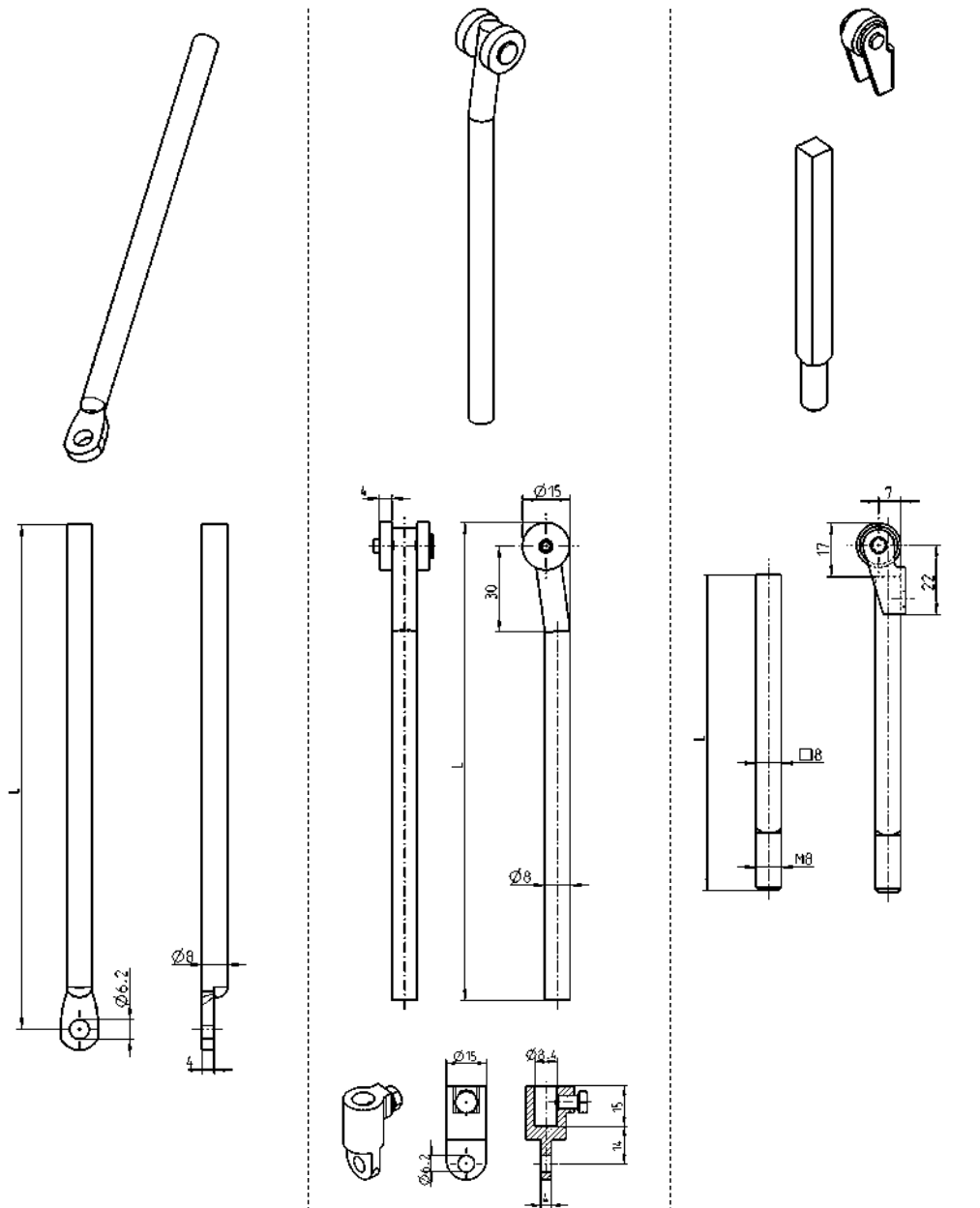
with eye AISI 304  
and rollers  
polyamide black

(not suitable for rod control program 1121 and 2121)

1000-U538-L mm

(1000-U538-01 to -09 see price list)

Round rods and square rods in available lengths



Round rod with eye  
m.s. zinc-plated

| L in mm |          |
|---------|----------|
| 400     | 1000-33  |
| 500     | 1000-34  |
| 600     | 1000-35  |
| 700     | 1000-36  |
| 800     | 1000-37  |
| 900     | 1000-38  |
| 1000    | 1000-39  |
| 1100    | 1000-114 |
| 1200    | 1000-115 |

Round rod m.s. zinc-plated or  
AISI 304 with rollers  
polyamide black

| L in mm | m.s. z.pl.     | AISI 304                        |
|---------|----------------|---------------------------------|
| 600     | 1049-U3        | 1049-U12                        |
| 700     | 1049-U4        | 1049-U13                        |
| 800     | 1049-U5        | 1049-U14                        |
| 900     | 1049-U6        | 1049-U15                        |
| 1000    | 1049-U7        | 1049-U16                        |
| 1100    | 1049-U8        | 1049-U17                        |
| 1200    | 1049-U9        | -                               |
|         | <b>Adapter</b> | <b>zinc die,<br/>m.s. z.pl.</b> |
|         |                | <b>AISI 303</b>                 |
|         | 1000-U49       | 1000-U141                       |

Square rod m.s. zinc-plated  
suitable for catalogue page  
2B-120

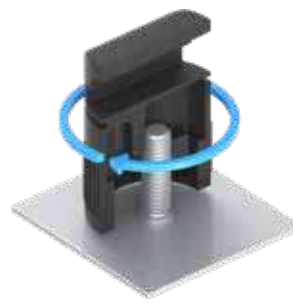
| L in mm |  |
|---------|--|
| 600     | 1001-11  |
| 700     | 1001-12  |
| 800     | 1001-13  |
| 900     | 1001-14  |
| 1000    | 1001-15  |
| 1100    | 1001-16  |
| 1200    | 1001-17  |
|         | <b>Roller unit m.s. zinc-pl.,<br/>roller polyamide white</b> |
|         | - 1019-U1  |

Further parts see page  
 - Cam 1C-120  
 1C-160  
 - Rod control 2A-120  
 2B-120  
 to 2B-140  
 - Rod guide 1C-630  
 1C-640

Info  
1 Quarter turns  
2 Rod controls  
3 Locking systems  
4 Hinges  
5 Seals  
6 Handles  
7 Aluminium windows  
8 Miscellaneous  
9 Special catalogues  
Index



1. Place the rod guide on the weld stud. (Hereby the time-consuming screwing is reduced considerably.)



2. Set the rod guide upright. This makes it snap in place noticeably and audibly; and it can then be secured by only a few rotations.

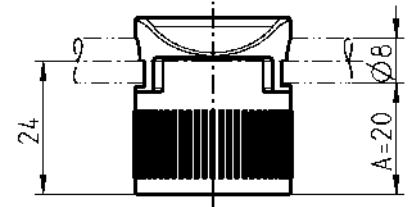
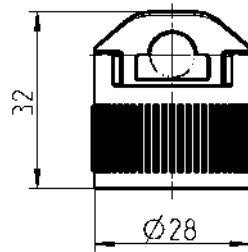
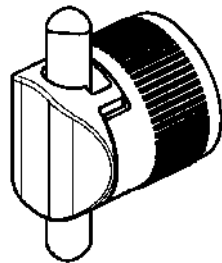


3. Rod guide is completely mounted.

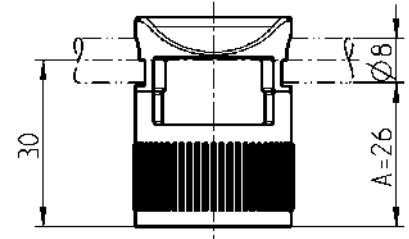
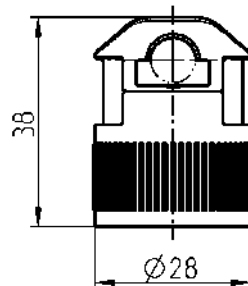
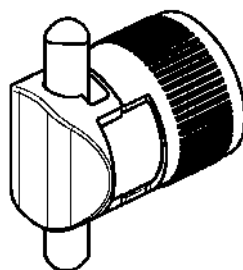


#### + ADVANTAGE

This rod guide is suitable for raw and powder coated weld studs. The covering of the weld stud before powdering can be omitted, this results in process optimization and cost saving.



**Note:**  
Rod guide suitable for dimensions of A=20 and A=26



Further parts see page  
– Rod

1C-620

#### Rod guide polyamide GF black

A for weld stud

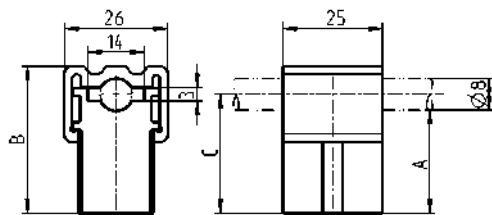
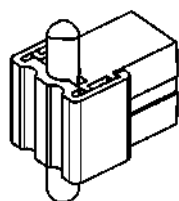
20 M6x16

26 M6x20

1001-U47

# Rod guide for round rods 8 mm

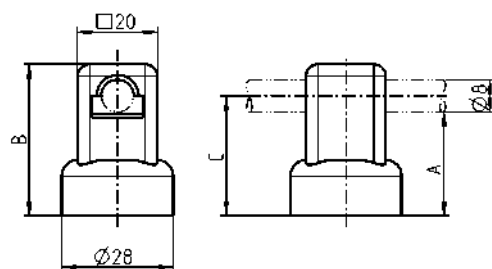
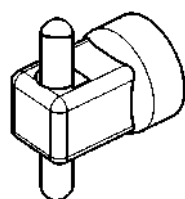
## PROGRAM UNIVERSAL



### Rod guide polyamide black

| A  | B  | C  | for weld stud |          |
|----|----|----|---------------|----------|
| 20 | 31 | 24 | M6x12 - 20    | 1001-U40 |
| 26 | 37 | 30 | M6x12 - 20    | 1001-U41 |

For round and horizontal flat rod

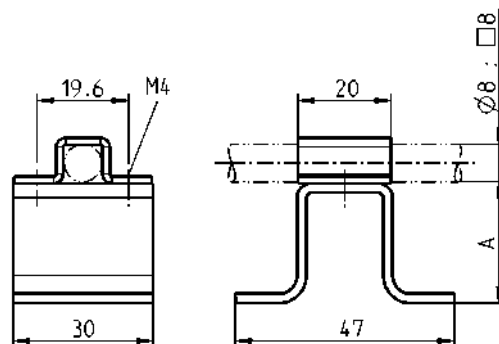
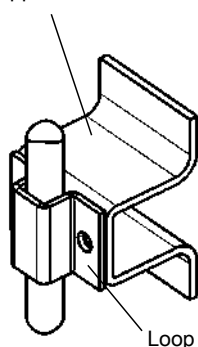


### Rod guide polyamide black with sunken nut m.s. zinc-plated

| A  | B  | C  | for weld stud |          |
|----|----|----|---------------|----------|
| 20 | 32 | 24 | M6x16         | 1001-U11 |
| 26 | 38 | 30 | M6x20         | 1001-U12 |

For round rod

Rod support



For round rod and square rod

### Loop m.s. zinc-plated

|  |  |  |  |         |
|--|--|--|--|---------|
|  |  |  |  | 1001-22 |
|--|--|--|--|---------|

### Rod support m.s. raw

|        |  |  |  |         |
|--------|--|--|--|---------|
| A = 20 |  |  |  | 1001-20 |
| A = 26 |  |  |  | 1001-21 |

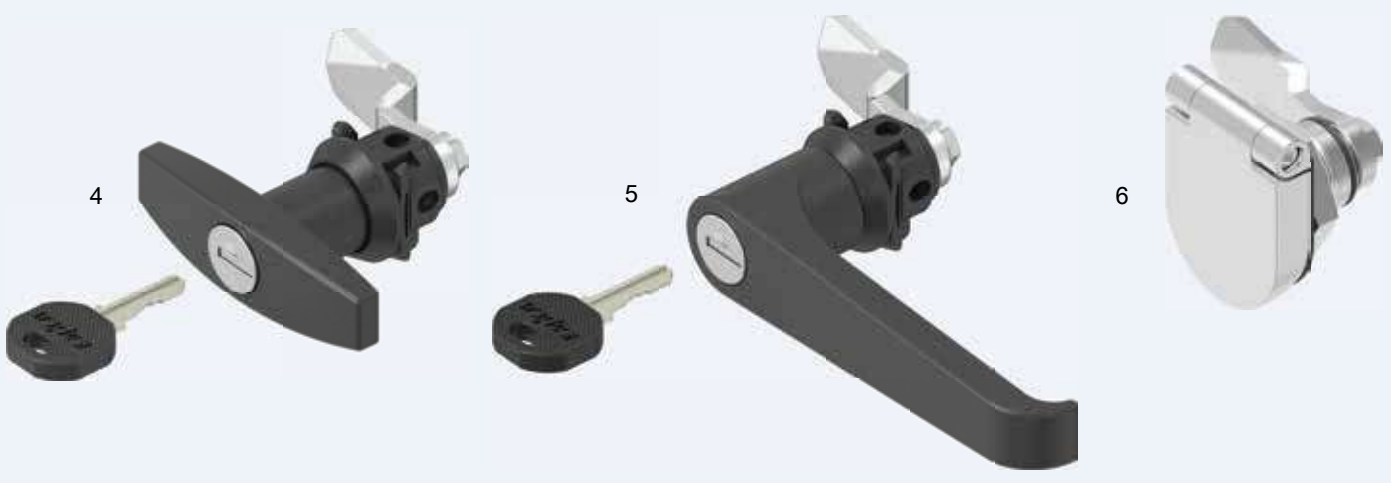
Further parts see page  
– Rod

1C-620





# Quarter turns Program 1500



- |   |  |        |
|---|--|--------|
| 1 | Quarter turn with insert cam clip fix            | 1D-140 |
| 2 | Cylinder quarter turn                            | 1D-240 |
| 3 | Wing knob quarter turn                           | 1D-220 |
| 4 | T-handle quarter turn                            | 1D-220 |
| 5 | L-Handle quarter turn                            | 1D-220 |
| 6 | Compression latch with optical opening indicator | 1D-420 |



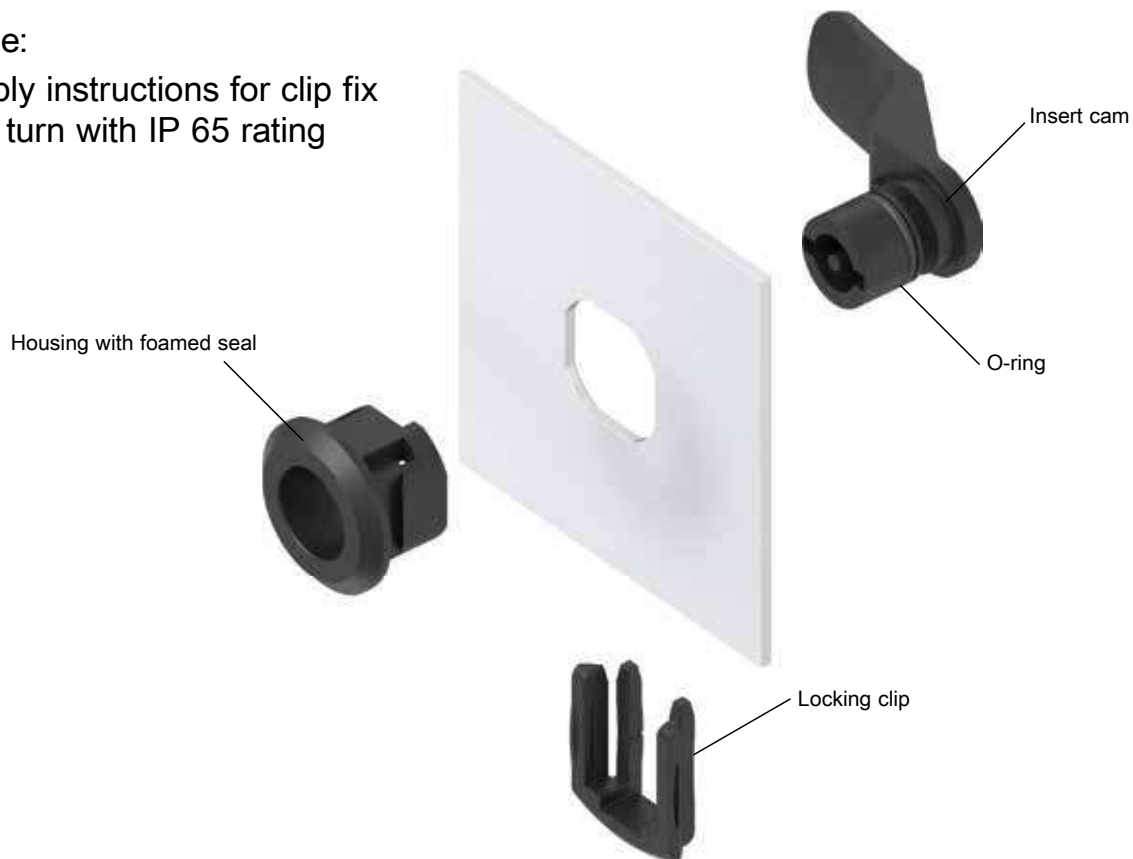
**1D-100**

# Quarter turn, 3-piece, clip fix

## PROGRAM 1500

Example:

Assembly instructions for clip fix quarter turn with IP 65 rating



**Housing polyamide GF colour of choice**

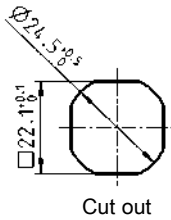
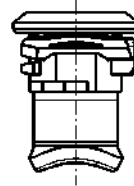
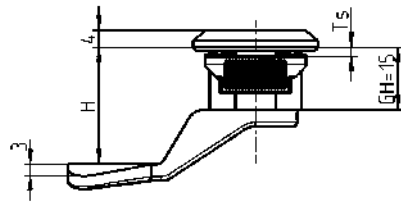
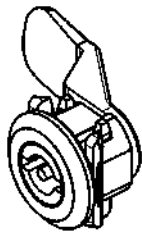
|                              | black     | silver      |
|------------------------------|-----------|-------------|
| without seal                 | 1500-01   | 1500-01-HW  |
| with foamed seal (for IP 65) | 1500-01-G | 1500-01-GHW |

**Locking clip polyamide GF colour depends according to thickness**

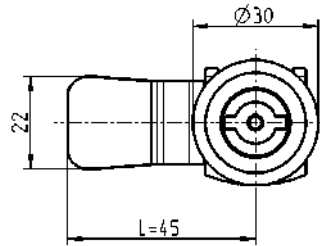
|  |            |
|--|------------|
| Ts = 1.0 - 1.5 including surface coating; colour pebble grey | 1500-02-10 |
| Ts = 1.5 - 2.0 including surface coating; colour black       | 1500-02-15 |
| Ts = . . .   |            |

**Insert cam polyamide GF, colour of choice see ordering example; order with O-ring see ordering example (for IP 65)**

|                             | H = 16         | H = 18         | H = 22         | H = 24         |
|-----------------------------|----------------|----------------|----------------|----------------|
|                             | without O-ring | without O-ring | without O-ring | without O-ring |
| Square 7, black             | 1500-136-H16   | 1500-136-H18   | 1500-136-H22   | 1500-136-H24   |
| Square 8, black             | 1500-140-H16   | 1500-140-H18   | 1500-140-H22   | 1500-140-H24   |
| Triangular 7, black         | on request     | on request     | on request     | on request     |
| Triangular 8, black         | 1500-152-H16   | 1500-152-H18   | 1500-152-H22   | 1500-152-H24   |
| Triangular 9, black         | on request     | on request     | on request     | on request     |
| Double bit 3, black         | 1500-156-H16   | 1500-156-H18   | 1500-156-H22   | 1500-156-H24   |
| Double bit 5, black         | 1500-160-H16   | 1500-160-H18   | 1500-160-H22   | 1500-160-H24   |
| Hexagon female SW 10, black | on request     | on request     | on request     | on request     |
| Square female 7, black      | on request     | on request     | on request     | on request     |
| Square female 8, black      | on request     | on request     | on request     | on request     |
| Daimler Benz, black         | on request     | on request     | on request     | on request     |
| Slot 1.2 x 3, black         | on request     | on request     | on request     | on request     |
| Slot 2 x 4, black           | 1500-177-H16   | 1500-177-H18   | 1500-177-H22   | 1500-177-H24   |
| Slot 2 x 4 coinproof, black | on request     | on request     | on request     | on request     |



Cut out



### Order example for insert cam silver:

You require a silver insert cam in square 8 mm for the clearance H = 18 mm. Then add to the item no. in the table the letters 'HW' at the end.

e.g.:  
1500-140-H18HW Insert cam polyamide GF, silver, H = 18 mm, square 8 mm

### Order example for insert cam with O-ring:

You require a black insert cam in double bit 3 mm for the clearance H = 28 mm with O-ring. Then add letter 'B' to the item no. from the table the after '1500-'.

e.g.:  
1500-B156-H28 Insert cam polyamide GF, black, H = 28 mm, double bit 3 mm with O-ring



**Attention:**  
IP 65 is achieved by housing with foamed seal and insert cam with O-ring!

**Note:**  
Further insert cams with other inserts or other H- and L-dimensions on request

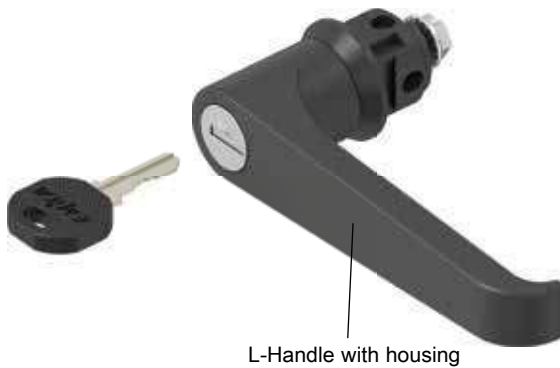
**Further parts see page**  
– Key 8B-120

| H = 28         | H = 30         |  |
|----------------|----------------|--|
| without O-ring | without O-ring |  |
| 1500-136-H28   | 1500-136-H30   |  |
| 1500-140-H28   | 1500-140-H30   |  |
| on request     | on request     |  |
| 1500-152-H28   | 1500-152-H30   |  |
| on request     | on request     |  |
| 1500-156-H28   | 1500-156-H30   |  |
| 1500-160-H28   | 1500-160-H30   |  |
| on request     | on request     |  |
| on request     | on request     |  |
| on request     | on request     |  |
| on request     | on request     |  |
| on request     | on request     |  |
| 1500-177-H28   | 1500-177-H30   |  |
| on request     | on request     |  |

# Handle quarter turn, clip fix

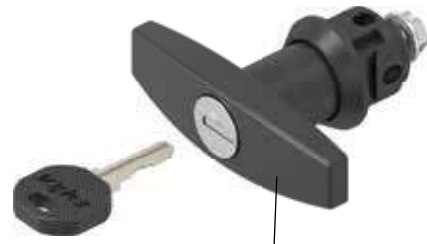
## PROGRAM 1500

L-Handle quarter turn, clip fix



L-Handle with housing

T-handle quarter turn, clip fix



T-handle with housing



Cam



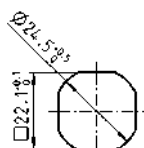
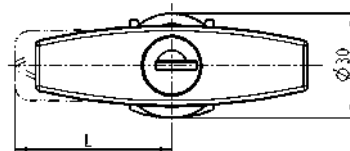
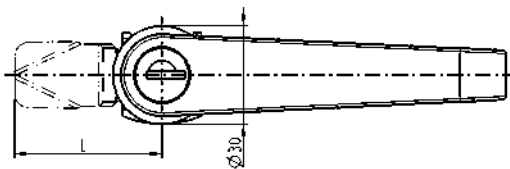
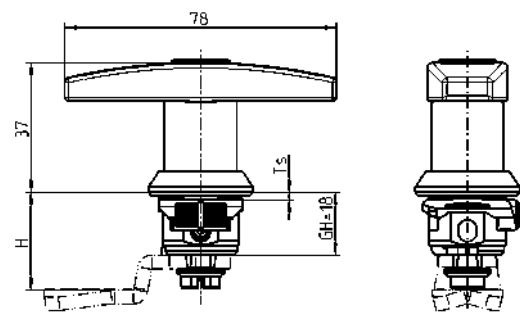
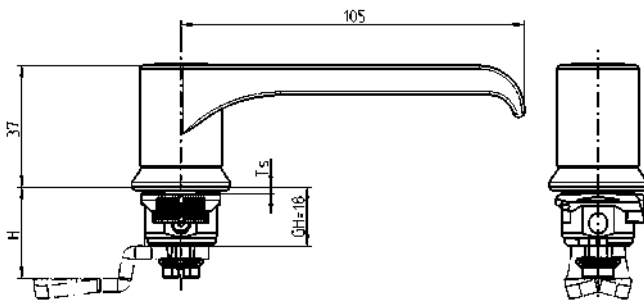
Locking clip



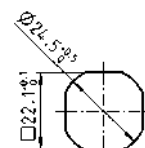
Cam



Locking clip

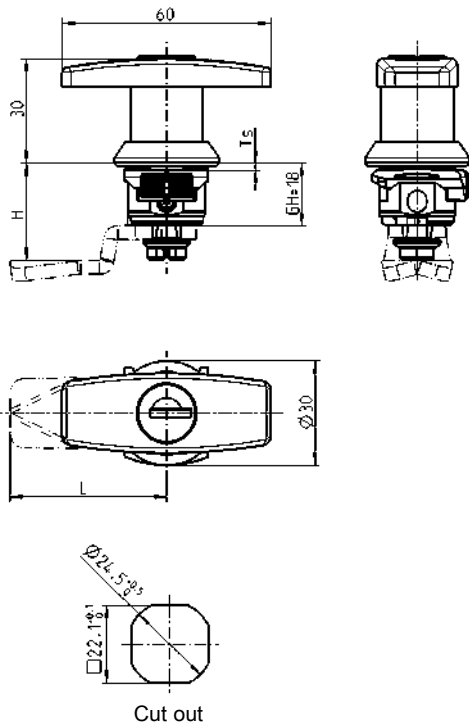


Cut out

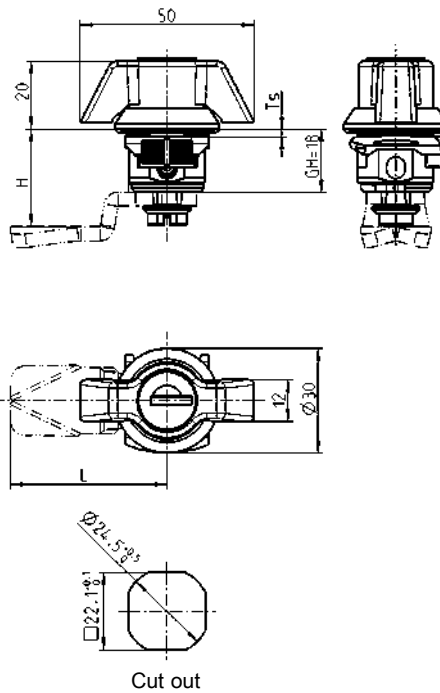


Cut out

### T-handle quarter turn, small, clip fix



### Wing knob quarter turn, clip fix



Handle polyamide GF black / zinc die, housing polyamide GF black, round cylinder zinc die with stainless steel cap and dust cap, screw m.s. zinc-plated, with seal. Each round cylinder has one silver steel key with grip polyamide black. Key removable in both positions.

|                | non locking       | keyed EK 333 | keyed different |
|----------------|-------------------|--------------|-----------------|
| Wing knob      | 1500-U343         | 1500-U345    | 1500-U347       |
| T-handle small | 1500-U775 (IP 40) | 1500-U773    | 1500-U774       |
| T-handle       | 1500-U546         | 1500-U548    | 1500-U550       |
| L-handle       | 1500-U570         | 1500-U572    | 1500-U574       |

#### Locking clip polyamide GF, colour depending on item

|                                   |            |
|-----------------------------------|------------|
| Ts = 1.0 - 1.5 colour pebble grey | 1500-05-10 |
| Ts = 1.5 - 2.0 colour black       | 1500-05-15 |

Further parts see page  
– Cam (GH = 18)

1C-120  
1C-160  
8B-140

– Spare key

### Cylinder quarter turn, clip fix PROGRAM 1500

Info

1 Quarter turns

2 Rod controls

3 Locking systems

4 Hinges

5 Seals

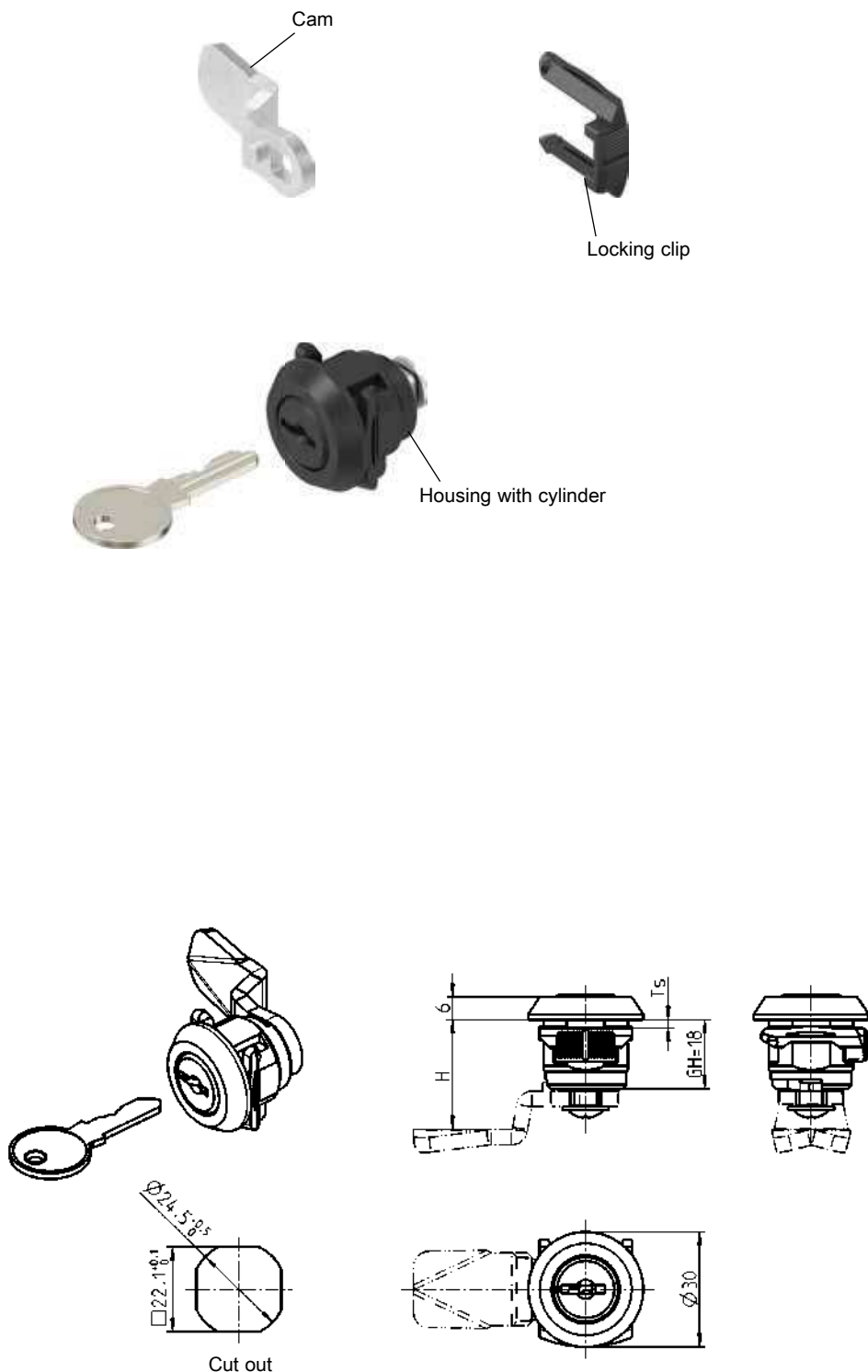
6 Handles

7 Aluminium windows

8 Miscellaneous

9 Special catalogues

Index



Further parts see page

- Cam (GH = 18) 1C-120
- (without rod control) 1C-160
- Spare key 8B-140

Housing and round cylinder polyamide GF black, screw m.s. zinc-plated.  
Each round cylinder has one key of m.s. nickel-plated.  
Key removable in both positions.

|  |            |
|--|------------|
| keyed EK 333   | 1500-U18   |
| keyed different  | 1500-U19   |
| <b>Locking clip polyamide GF, colour depending on item</b> |            |
| Ts = 1.0 - 1.5 colour pebble grey                          | 1500-05-10 |
| Ts = 1.5 - 2.0 colour black                                | 1500-05-15 |

# Compression latch with optical opening indicator

## PROGRAM 1500

### Tamper and vibration proof

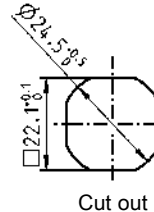
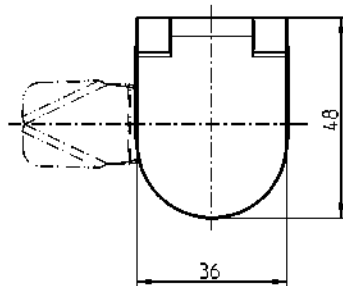
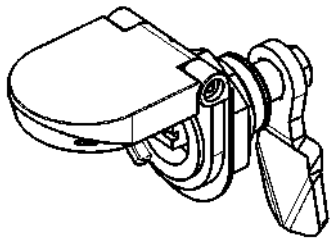
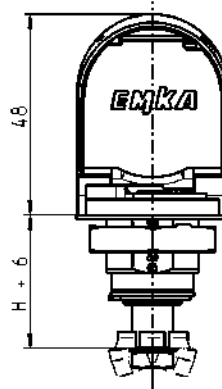
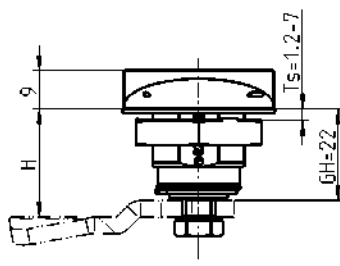
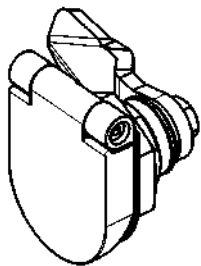
The compression latch is designed to be vibration-proof as such. Depending on the installation location and operational conditions, specific checks are necessary and/or supplementary measures of fastening required.

Tested according to DIN EN 45545-2 E30



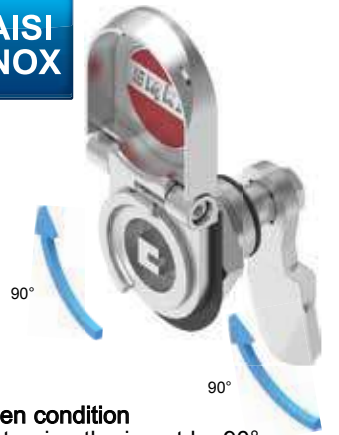
#### Product benefits

- Visual opening indicator clearly visible due to 90° open flap when uncompressed
- The red surface on the inside of the cap makes it easier to recognize the open position
- The flap closes automatically when compressed
- Integrated dust cap
- The flat seal cushions the flap and prevents damages to the door
- Standard cut out program 1500
- Patent submitted

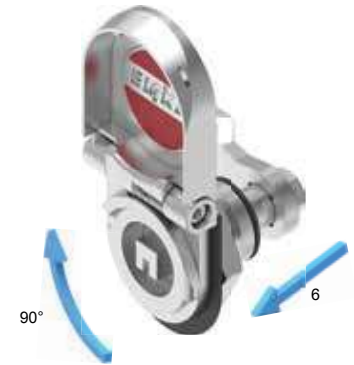


Compression latch with visual opening indicator AISI 316;  
nut and earthing nut AISI 316;  
screw and toothed lock washer stainless steel; with spring and seal

|   | Left-hand version | Right-hand version |
|---|-------------------|--------------------|
| Square 8 with marking                               | 1500-U776-LIPH    | 1500-U776-REPH     |
| Square 8 with marking and cap with red pad printing | 1500-U776-01LIPH  | 1500-U776-01REPH   |



**Open condition**  
By turning the insert by 90° the cam is turned.



**Closed condition**  
Further rotation of the insert by 90° moves the cam 6 mm in axial direction.



**Compressed condition**

**Open:**  
Reversed motion

**Further parts see page**  
– Cam without catch 1C-120  
– Key 8B-120

# Compression latch PROGRAM 1022

### Tamper and vibration proof

The compression latch is designed to be vibration-proof as such. Depending on the installation location and operational conditions, specific checks are necessary and/or supplementary measures of fastening required.

Info  
1 Quarter turns  
2 Rod controls  
3 Locking systems  
4 Hinges  
5 Seals  
6 Handles  
7 Aluminium windows  
8 Miscellaneous  
9 Special catalogues  
Index



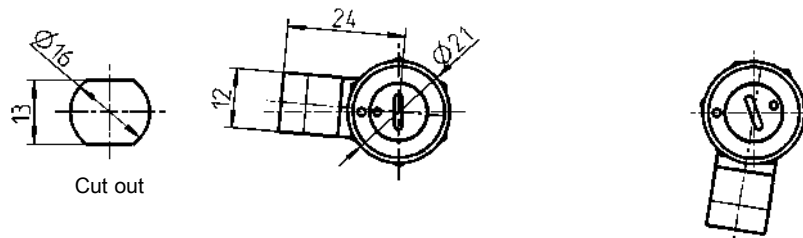
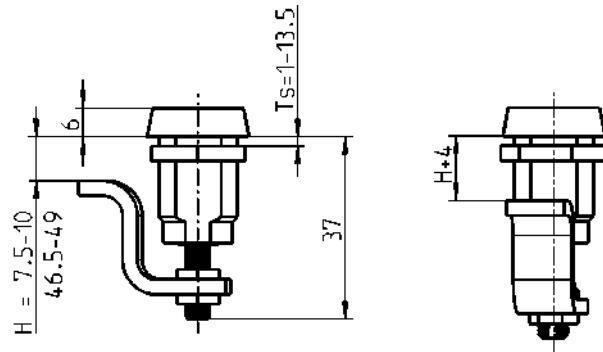
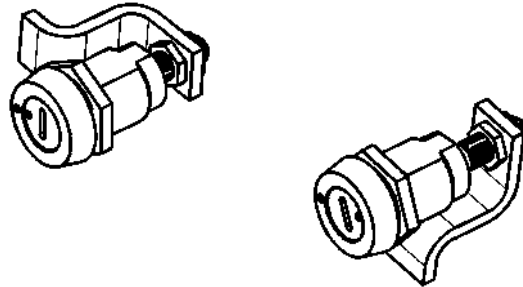
**Open condition**  
By turning the insert by 90° the cam is turned.



**Closed condition**  
The second 90° of rotation of the insert draws the cam toward the door 4 mm axially.



**Compressed condition**  
**Open:**  
Reversed motion

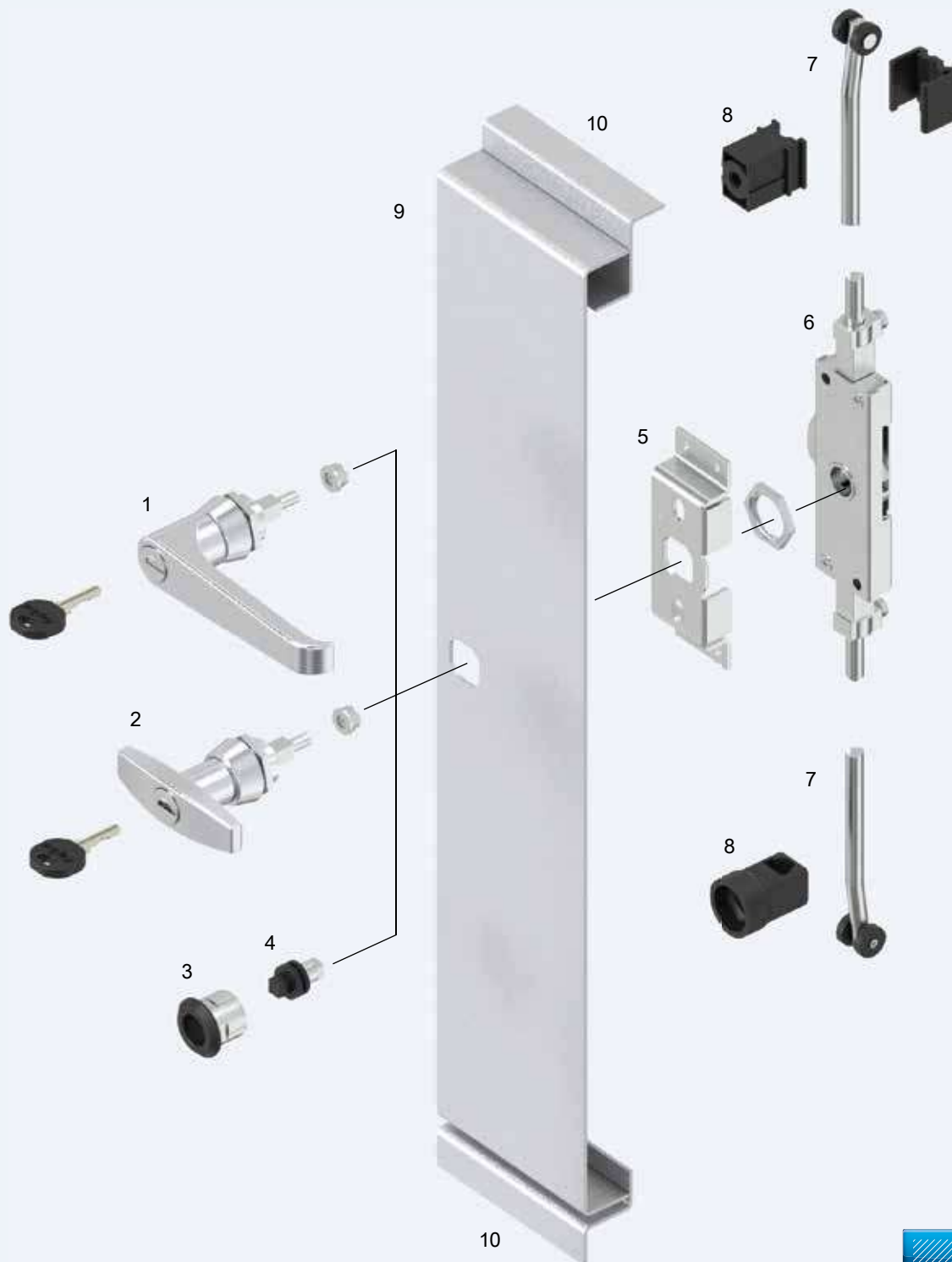


Quarter turn zinc die black powder-coated, nut m.s. zinc-plated

1022-U86



# Rod control for heavy duty screw-on



- |    |                 |        |
|----|-----------------|--------|
| 1  | L-handle        | 2A-140 |
| 2  | T-handle        | 2A-140 |
| 3  | Key guide       | 2A-120 |
| 4  | Insert          | 2A-120 |
| 5  | Support         | 2A-120 |
| 6  | Rod control     | 2A-120 |
| 7  | Rod             |        |
| 8  | Rod guide       |        |
| 9  | Door            |        |
| 10 | Housing / Frame |        |

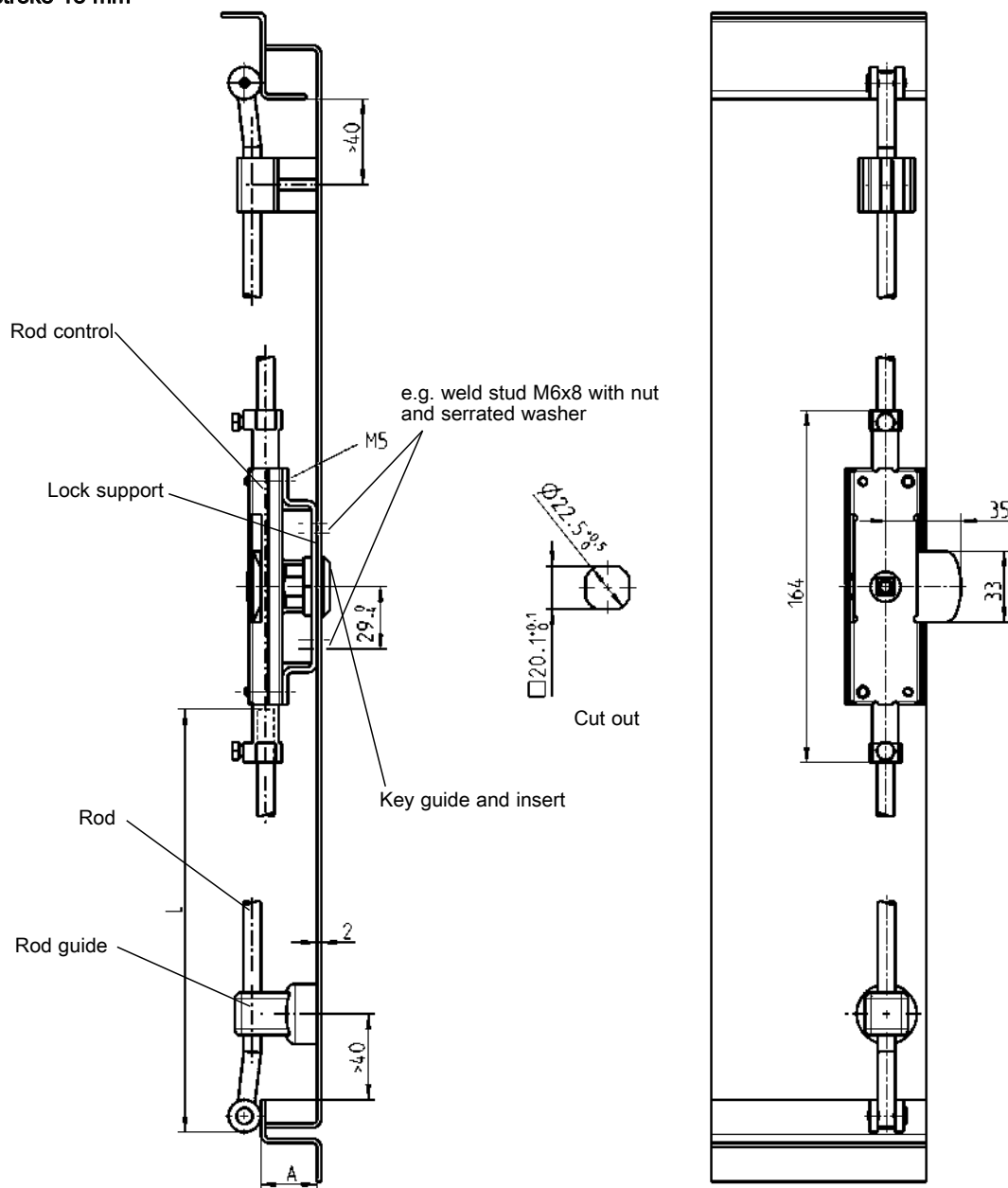


## 2A-100

# Rod control and insert

## PROGRAM SCREW-ON

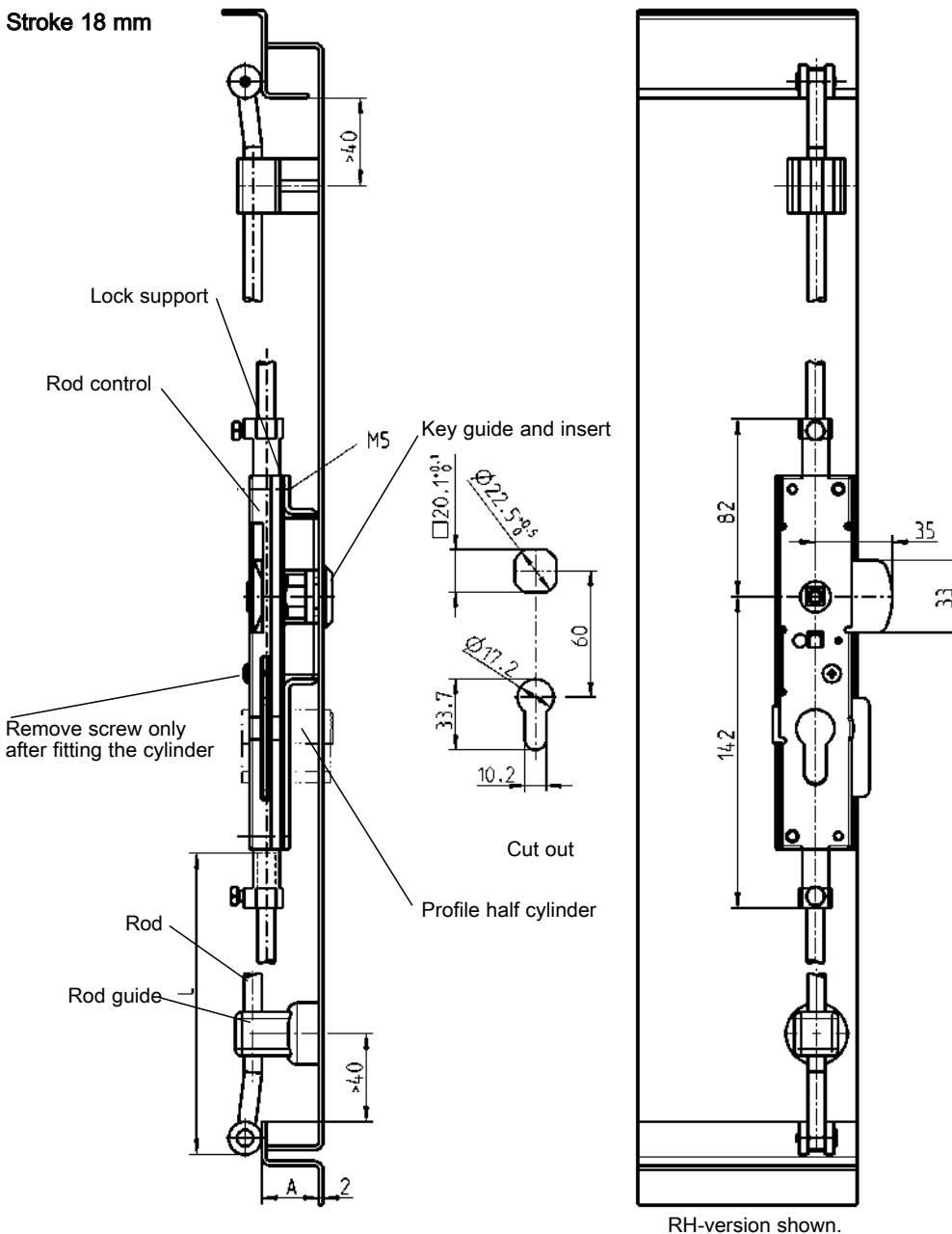
Stroke 13 mm  
or stroke 18 mm



Dimensions of rod controls  
and other versions see  
catalogue pages 2B-120 to -140

| Rod control m.s. zinc-plated |           |           | Rod control m.s. zinc-plated for profile half cylinder |         |           |
|------------------------------|-----------|-----------|--|---------|-----------|
|                              | Stroke 13 | Stroke 18 |  |         | Stroke 18 |
| Right                        | 1049-U1   | 1049-U19  | Right  | -       | 1068-U1   |
| Left                         | 1049-U2   | 1049-U20  | Left   | -       | 1068-U2   |
| Support m.s. zinc-plated     |           |           | Support m.s. zinc-plated                               |         |           |
|                              | A20       | A26       |  | A20     | A26       |
| Right / Left                 | 1001-47   | 1001-50   | Right  | 1001-45 | 1001-48   |
|                              |           |           | Left   | 1001-46 | 1001-49   |

Stroke 18 mm



RH-version shown.



**Insert zinc die chrome-plated**

| Key guide zinc die chrome-pl. or black powder-coated with nut m.s. zinc-pl. |            |            | Insert zinc die chrome-plated |          |
|---|------------|------------|-------------------------------|----------|
|   |            |            | Square 6                      | 1000-59  |
|   |            |            | Square 7                      | 1000-04  |
| <b>chrome-plated</b>  | <b>A20</b> | <b>A26</b> | Square 8                      | 1000-05  |
| for square and triangular   | 1001-U13   | 1001-U14   | Triangular 7                  | 1000-06  |
| for double bit  | 1001-U15   | 1001-U16   | Triangular 8                  | 1000-07  |
| for Daimler Benz  | 1001-U17   | 1001-U18   | Double bit 3                  | 1000-08  |
| for FIAT  | 1001-U32   | -          | Double bit 5                  | 1000-09  |
| <b>black powder-coated</b>  |            |            | Daimler Benz                  | 1000-64  |
| for square and triangular   | 1001-U24   | 1001-U25   | Fiat                          | 1000-352 |
| for double bit  | 1001-U26   | 1001-U27   | <b>IP 65 achieved by:</b>     |          |
| for Daimler Benz  | 1001-U28   | 1001-U29   | Flat seal                     | 1000-23  |
| for FIAT  | 1001-U33   | -          | O-ring                        | 1000-24  |

**Further parts see page**

|                                      |        |
|--------------------------------------|--------|
| - T-handle                           | 2A-140 |
| - L-handle                           | 2A-140 |
| - Rod                                | 1C-620 |
| - Profile half cylinder              | 2B-220 |
| - Key                                | 8B-120 |
| - Escutcheon                         | 8D-120 |
| - Adapter system for insulated doors | 2A-180 |

# Handle

## PROGRAM SCREW-ON

Info

1 Quarter turns

2 Rod controls

3 Locking systems

4 Hinges

5 Seals

6 Handles

7 Aluminium windows

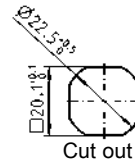
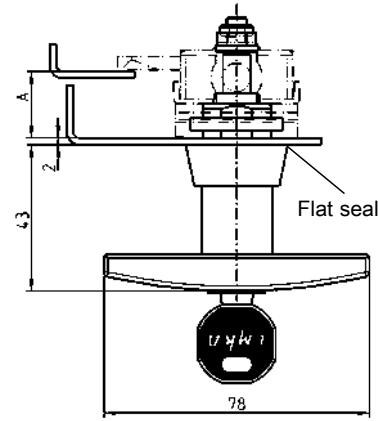
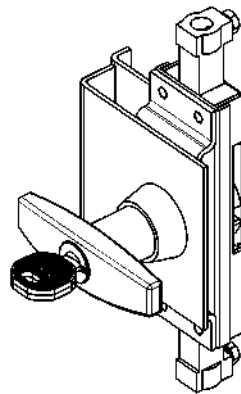
8 Miscellaneous

9 Special catalogues

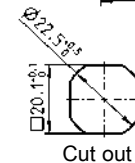
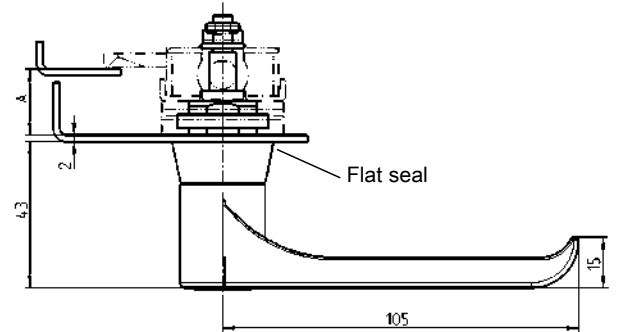
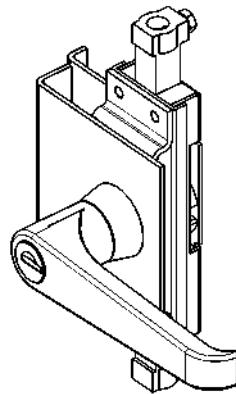
Index



### T-handle



### L-handle



**T-Handle zinc die with nut and washer m.s. zinc-pl., with seal**  
**Each round cylinder has one silver steel key with polyamide grip GF black**

|            |                     | non locking | keyed EMKA 333 | keyed different |  |
|------------|---------------------|-------------|----------------|-----------------|--|
| <b>A20</b> | chrome-plated       | 1102-U1     | 1102-U3        | 1102-U5         |  |
|            | black powder-coated | 1102-U7     | 1102-U9        | 1102-U11        |  |
| <b>A26</b> | chrome-plated       | 1102-U2     | 1102-U4        | 1102-U6         |  |
|            | black powder-coated | 1102-U8     | 1102-U10       | 1102-U12        |  |

**L-Handle zinc die with nut and washer m.s. zinc-pl., with seal.**  
**Each round cylinder has one silver steel key with polyamide grip GF black**  
**- Insert spring loaded -**

|                 |                       | chrome-plated |          | black powder-coated |          |
|-----------------|-----------------------|---------------|----------|---------------------|----------|
|                 |                       | A20           | A26      | A20                 | A26      |
| non locking     | (IP 65)               | 1103-U1       | 1103-U2  | 1103-U21            | 1103-U22 |
| keyed EMKA 333  | (IP 65)               | 1103-U3       | 1103-U4  | 1103-U23            | 1103-U24 |
| keyed different | (IP 65)               | 1103-U5       | 1103-U6  | 1103-U25            | 1103-U26 |
| Square 7        | IP 65<br>(on request) | 1103-U7       | 1103-U8  | 1103-U27            | 1103-U28 |
| Square 8        |                       | 1103-U9       | 1103-U10 | 1103-U29            | 1103-U30 |
| Triangular 7    |                       | 1103-U11      | 1103-U12 | 1103-U31            | 1103-U32 |
| Triangular 8    |                       | 1103-U13      | 1103-U14 | 1103-U33            | 1103-U34 |
| Double bit 3    |                       | 1103-U15      | 1103-U16 | 1103-U35            | 1103-U36 |
| Double bit 5    |                       | 1103-U17      | 1103-U18 | 1103-U37            | 1103-U38 |
| Daimler Benz    |                       | 1103-U19      | 1103-U20 | 1103-U39            | 1103-U40 |

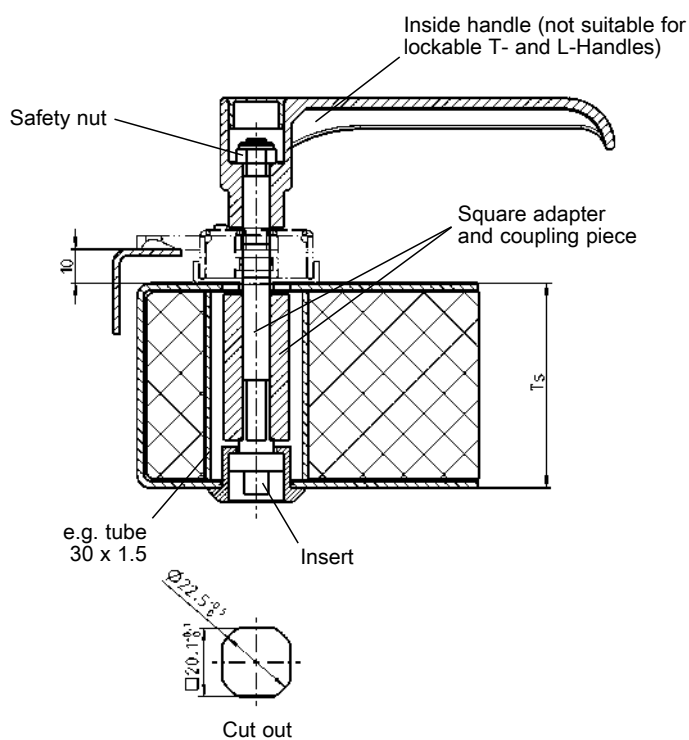
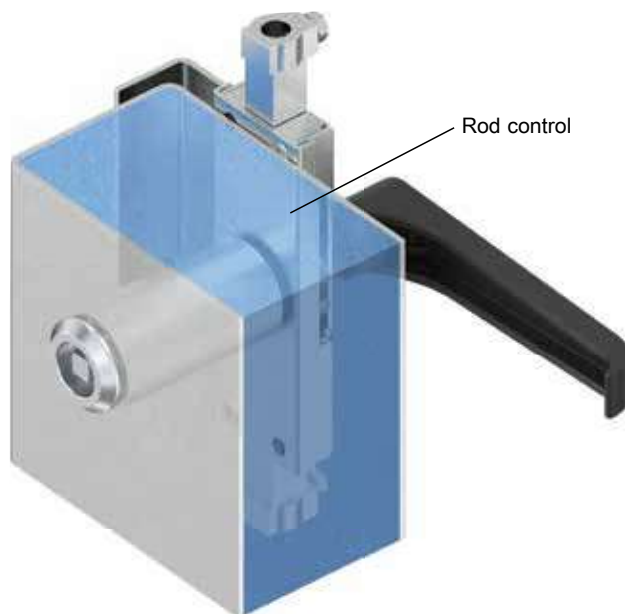
**Suitable for rod program:**

1001  
1049  
1068

**Further parts see page**  
 - Dust cap for T-handle 1C-340  
 - Spare key 8B-140  
 - Adapter system for insulated doors 2A-180

# Adapter system for insulated doors

## PROGRAM SCREW-ON



Adapter system pre-assembled with handle or insert, inserted into the aperture and held by locking nut M6.

| Insert, m.s. zinc-plated, key guide zinc die chrome-plated, safety nut m.s. zinc-plated |           | Door thickness Ts | Square adapter m.s. z.pl. | Coupling piece aluminium |
|---|-----------|-------------------|---------------------------|--------------------------|
| Square 7  | 1001-U21  | 20                | –                         | –                        |
| Square 8  | 1001-U22  | 40                | 1x1001-65                 | 1001-69                  |
| Double bit 5  | 1001-U23  | 50                | 1x1001-66                 | 1001-70                  |
| <b>Adapter for internal handle m.s. zinc-plated</b>                                     |           | 60                | 1x1001-67                 | 1001-71                  |
|   | 1001-65   | 80                | 2x1001-66                 | 1001-72                  |
| <b>Inside handle polyamide black</b>  |           | 100               | 2x1001-67                 | 1001-73                  |
|   | 1000-U829 |                   |                           |                          |

**Further parts see page**  
 – Anti-rotation device  
 – Rod control

1C-360  
 2A-120  
 2B-120  
 2B-130  
 2B-180

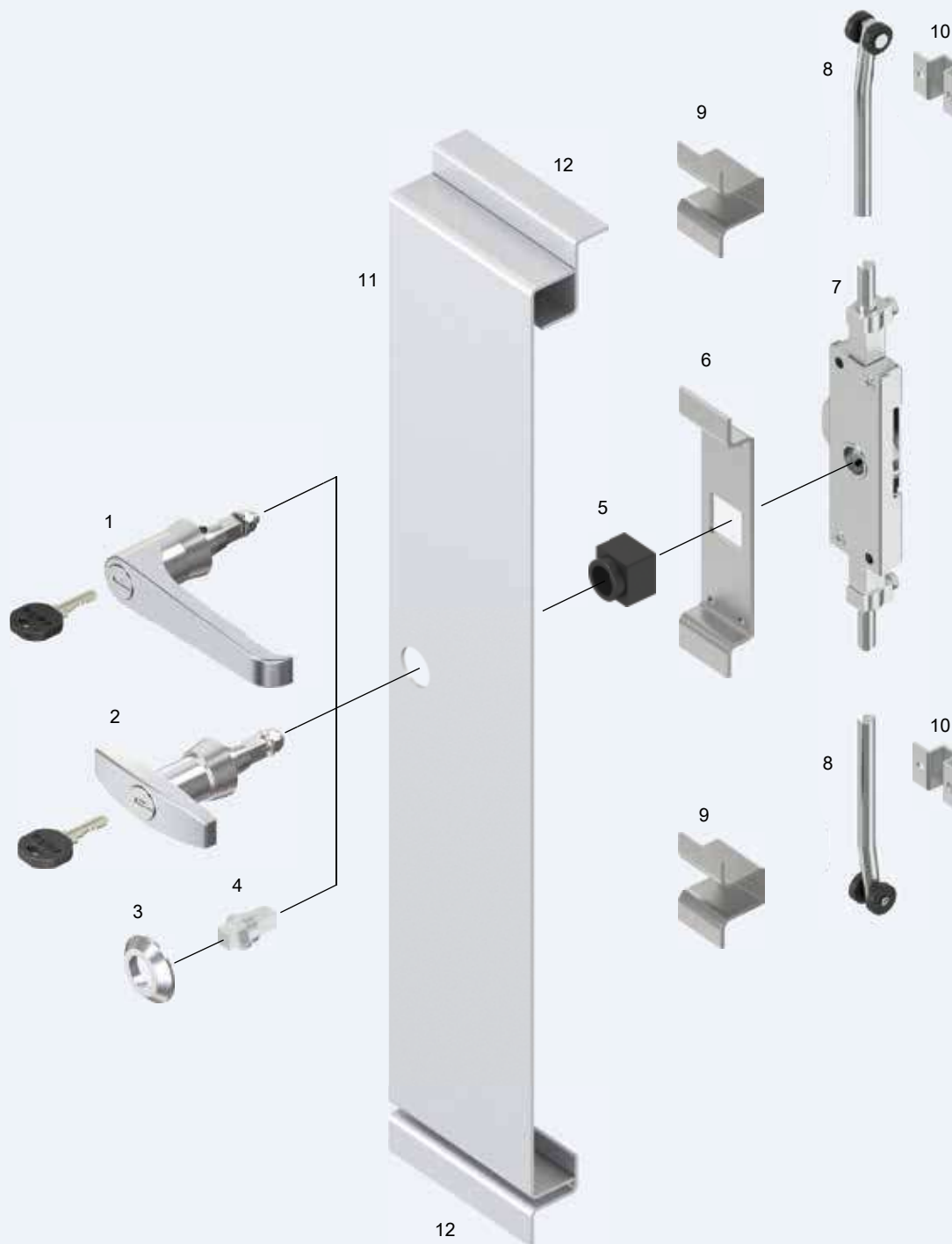
– T-handle or L-Handle  
 A = 26

2A-140





# Rod control for heavy duty weld-on



- |    |                 |                          |
|----|-----------------|--------------------------|
| 1  | L-handle        | 2B-160                   |
| 2  | T-handle        | 2B-160                   |
| 3  | Bezel           | 2B-160                   |
| 4  | Insert          | 2B-160                   |
| 5  | Key guide       | 2B-160                   |
| 6  | Support         | 2B-120 to 2B-140, 2B-180 |
| 7  | Rod control     | 2B-120 to 2B-140, 2B-180 |
| 8  | Rod             |                          |
| 9  | Rod support     |                          |
| 10 | Loop            |                          |
| 11 | Door            |                          |
| 12 | Housing / Frame |                          |

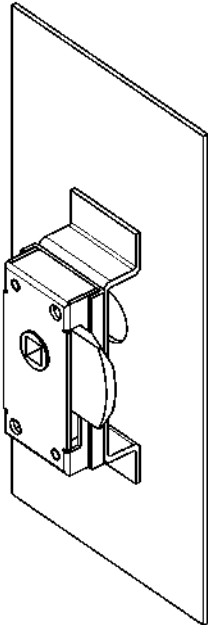


## 2B-100

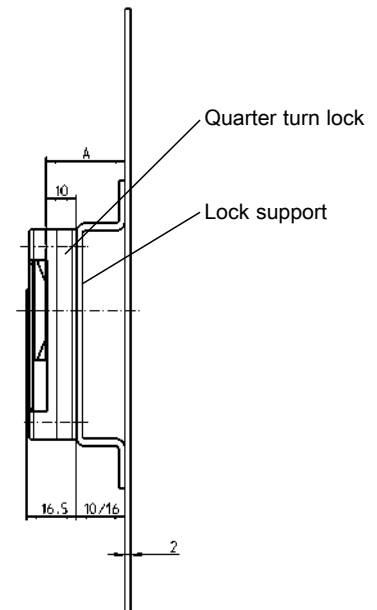
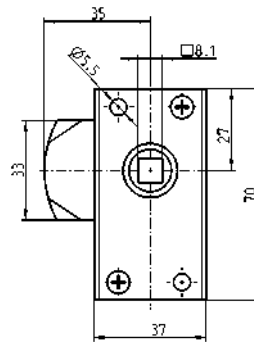
# Lock for quarter turn, hooked cam and rod control

## PROGRAM weld-on

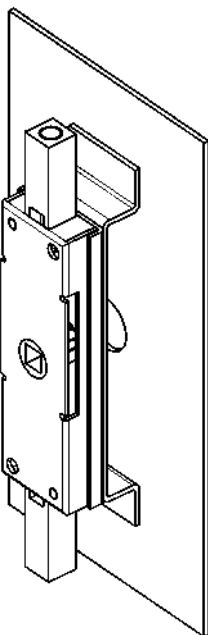
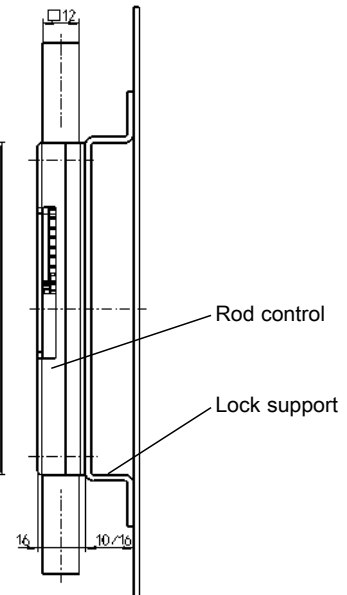
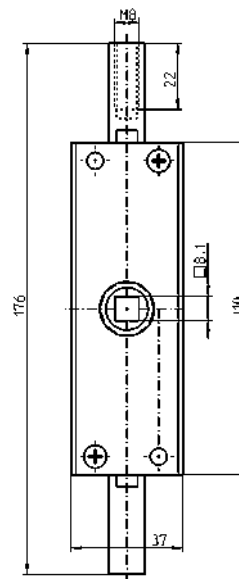
### Quarter turn lock



90° turn



### Two-sided lock for screw-in rod

180° turn  
Stroke 32 mm

### Quarter turn lock m.s. zinc-plated, right and left usable

1002-U1

### Support m.s. raw

A20

1002-04

A26

1002-05

### Rod control with two-sided lock m.s. zinc-plated

Right

1001-U19

Left

1001-U20

### Support m.s. raw

A20

1001-18

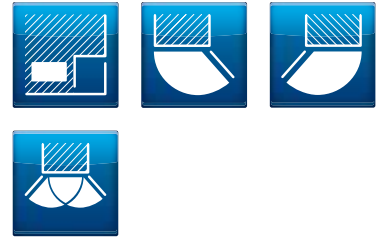
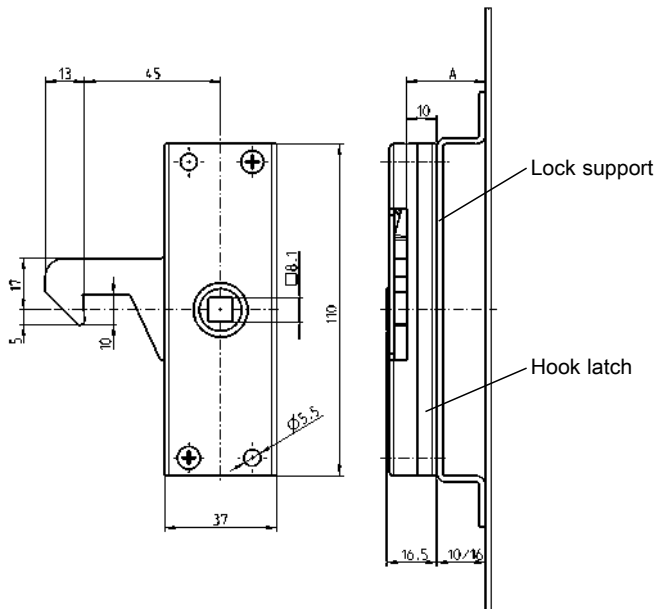
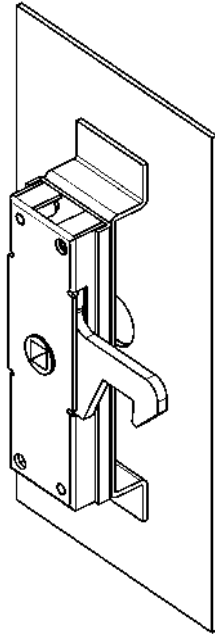
A26

1001-19



### Hook latch

Hooked cam free running  
(locks in place even  
when the handle is closed)



#### Hook latch m.s. zinc-plated

|       |          |
|-------|----------|
| Right | 1001-U30 |
| Left  | 1001-U31 |

#### Support m.s. raw

|     |         |
|-----|---------|
| A20 | 1001-18 |
| A26 | 1001-19 |

#### Further parts see page

|                                      |        |
|--------------------------------------|--------|
| - Insert                             | 2B-160 |
| - T-handle                           | 2B-160 |
| - L-handle                           | 2B-160 |
| - Ring handle insert                 | 2B-190 |
| - Rod                                | 1C-620 |
| - Adapter system for insulated doors | 2A-180 |

Info

1 Quarter turns



2 Rod controls



3 Locking systems



4 Hinges



5 Seals

6 Handles

7 Aluminium windows



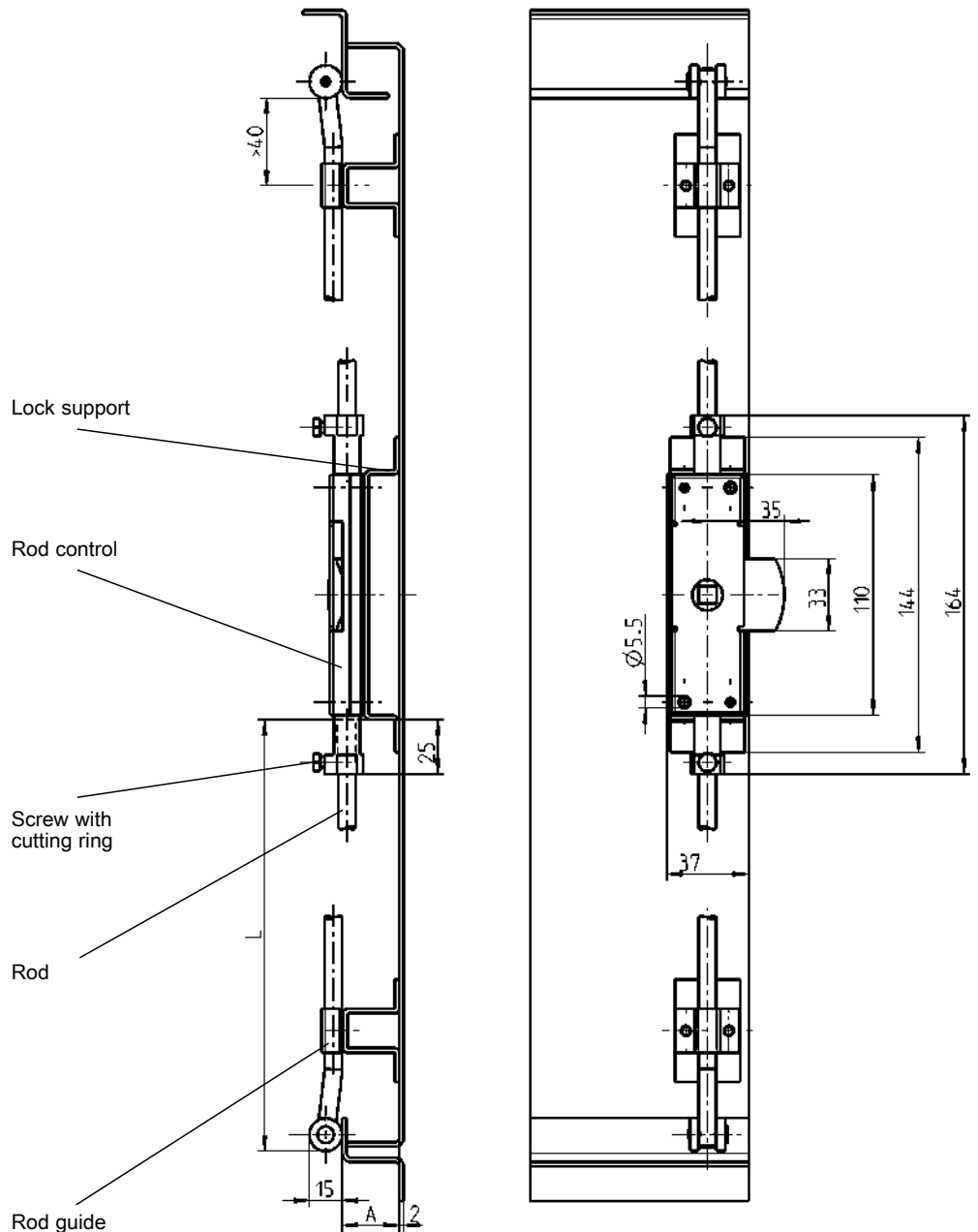
8 Miscellaneous

9 Special catalogues

Index

Three-sided lock for plug-in rod  
Stroke 13 or 18 mm

90° turn



Rod control can also be operated with socket spanner when mounted without insert., see catalogue page 12B-120.

#### Further parts see page

|                      |        |
|----------------------|--------|
| - Insert, bezel      | 2B-160 |
| - L-handle           | 2B-160 |
| - T-handle           | 2B-160 |
| - Ring handle insert | 2B-190 |
| - Rod                | 1C-620 |

|                     |        |
|---------------------|--------|
| <b>Program 1107</b> |        |
| - Swinghandle       | 3A-220 |

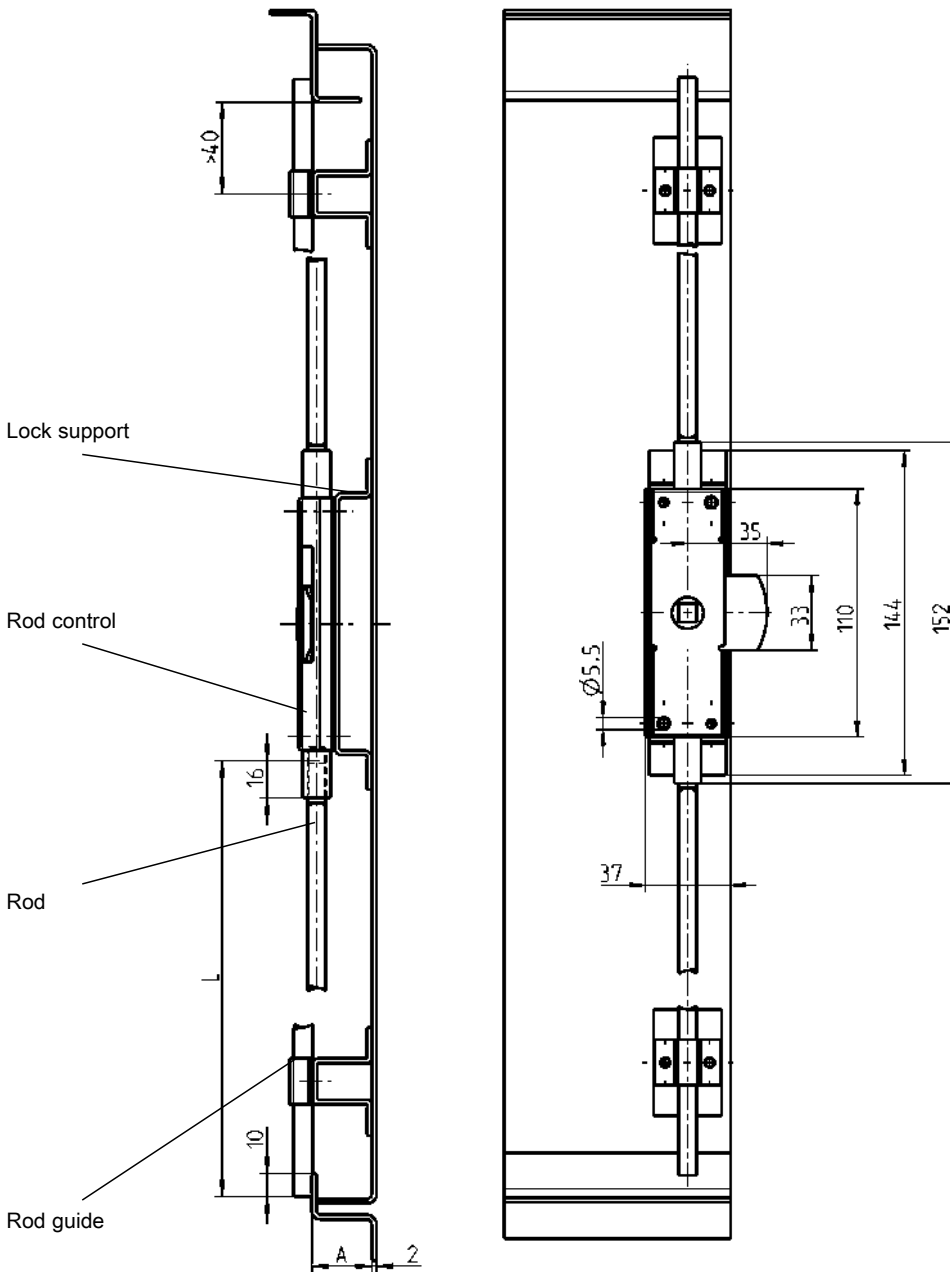
| Rod control m.s. zinc-plated | Stroke 13  | Stroke 18  |
|------------------------------|------------|------------|
| Right                        | 1049-U1    | 1049-U19   |
| Left                         | 1049-U2    | 1049-U20   |
| Support m.s. raw             | <b>A20</b> | <b>A26</b> |
|                              | 1001-18    | 1001-19    |

# Rod control

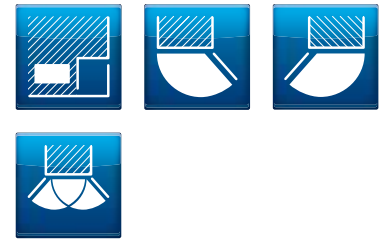
## PROGRAM weld-on

Three-sided lock for screw-in rod  
Stroke 13 mm

90° turn



Rod control can also be operated with socket spanner when mounted without insert., see catalogue page 12B-120.



|                                     |            |                  |
|-------------------------------------|------------|------------------|
| <b>Rod control m.s. zinc-plated</b> |            | <b>Stroke 13</b> |
| Right                               |            | 1001-U1          |
| Left                                |            | 1001-U2          |
| <b>Support m.s. raw</b>             | <b>A20</b> | <b>A26</b>       |
|                                     | 1001-18    | 1001-19          |

**Further parts see page**

- Insert, bezel 2B-160
- L-handle 2B-160
- T-handle 2B-160
- Ring handle insert 2B-190
- Rod 1C-620

**Program 1107**

- Swinghandle 3A-220

Info

1 Quarter turns



2 Rod controls



3 Locking systems

4 Hinges

5 Seals

6 Handles

7 Aluminium windows

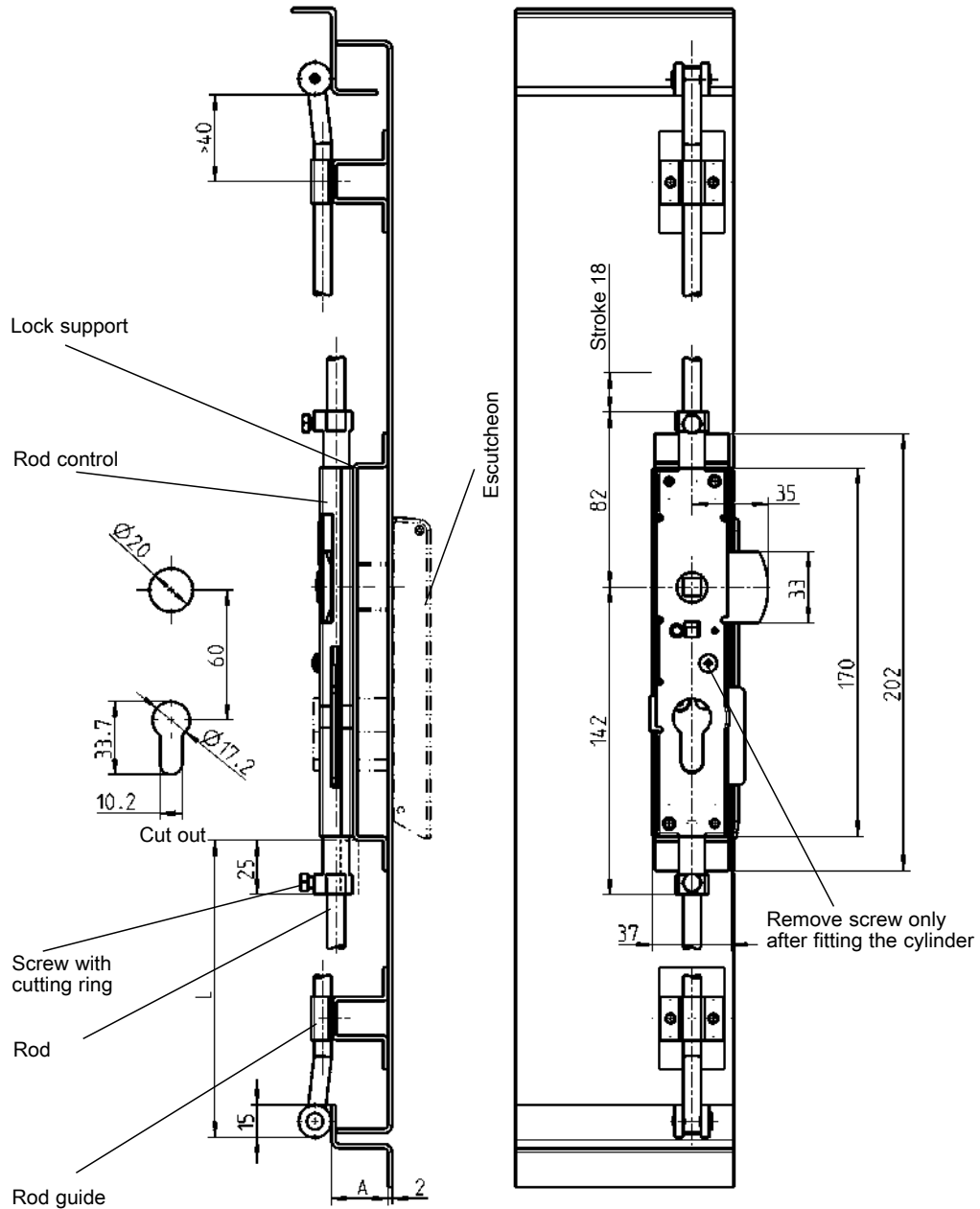
8 Miscellaneous

9 Special catalogues

Index



90° turn  
Stroke 18 mm



#### Further parts see page

|                         |        |
|-------------------------|--------|
| - Insert, bezel         | 2B-160 |
| - T-handle              | 2B-160 |
| - L-handle              | 2B-160 |
| - Ring handle insert    | 2B-190 |
| - Rod                   | 1C-620 |
| - Profile half cylinder | 2B-220 |
| - Escutcheon            | 8D-120 |

#### Rod control m.s. zinc-plated

|       |         |
|-------|---------|
| Right | 1068-U1 |
| Left  | 1068-U2 |

#### Support m.s. raw

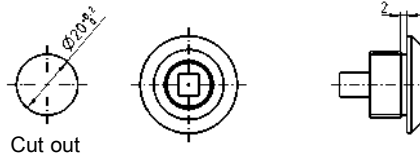
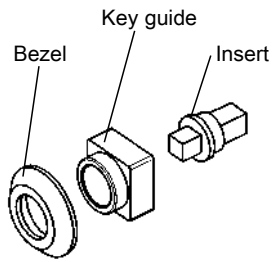
|     |         |
|-----|---------|
| A20 | 1017-14 |
| A26 | 1017-15 |

#### Blind plug for profile half cylinder cut out

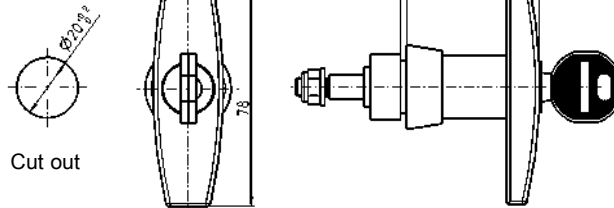
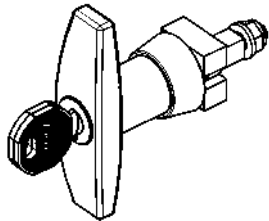
|     |         |
|-----|---------|
| A20 | 1059-U1 |
| A26 | 1059-U2 |

# Insert and handle

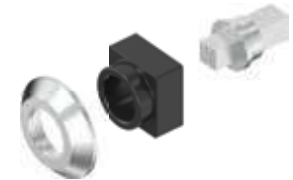
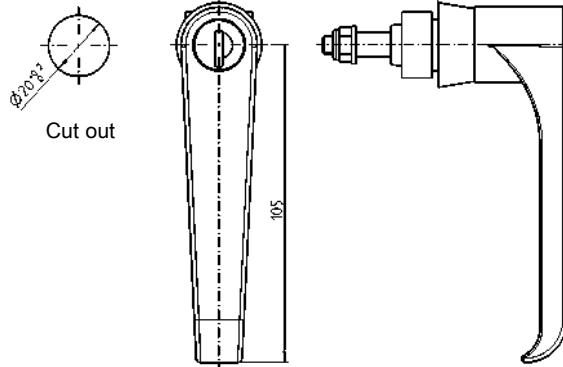
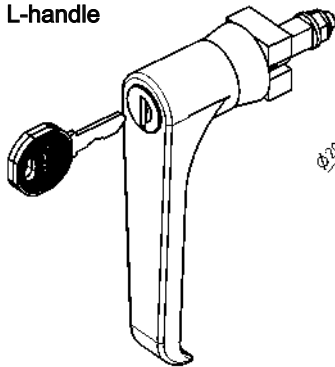
## PROGRAM weld-on



### T-handle



### L-handle



### Insert zinc die chrome-plated

|                       |            |            |
|-----------------------|------------|------------|
| Square 7              | 1001-23    |            |
| Square 8              | 1001-24    |            |
| Triangular 7          | 1001-25    |            |
| Triangular 8          | 1001-26    |            |
| Double bit 3          | 1001-27    |            |
| Double bit 5          | 1001-28    |            |
| Daimler Benz          | 1001-34    |            |
| <b>Key guide ABS</b>  | <b>A20</b> | <b>A26</b> |
| Square and triangular | 1001-31    | 1001-32    |
| Double bit            | 1001-29    | 1001-30    |
| Daimler Benz          | 1001-35    | 1001-36    |

### Bezel, self-adhesive

|  |         |  |
|--|---------|--|
| ABS chrome-plated  | 1001-33 |  |
| to achieve an optical look alike with quarter turn page 1B-140 |         |  |

### T-Handle zinc die chrome-plated,

| nut m.s. zinc-plated | A20     | A26     |
|----------------------|---------|---------|
| non locking          | 1005-U1 | 1005-U4 |
| keyed EK 333         | 1005-U2 | 1005-U5 |
| keyed different      | 1005-U3 | 1005-U6 |

### L-Handle zinc die chrome-plated,

| nut m.s. zinc-plated              | A20      | A26      |
|-----------------------------------|----------|----------|
| non locking                       | 1044-U1  | 1044-U4  |
| keyed EK 333                      | 1044-U2  | 1044-U5  |
| keyed different                   | 1044-U3  | 1044-U6  |
| Square 7                          | 1044-U7  | 1044-U8  |
| Square 8                          | 1044-U11 | 1044-U12 |
| Triangular 7                      | 1044-U13 | 1044-U14 |
| Triangular 8                      | 1044-U15 | 1044-U16 |
| Double bit 3                      | 1044-U17 | 1044-U18 |
| Double bit 5                      | 1044-U19 | 1044-U20 |
| Daimler Benz                      | 1044-U9  | 1044-U10 |
| Eastern Europe<br>Ø 13 half-round | 1044-U21 | 1044-U22 |

### Note:

Insert with spring loaded return (two-hand operation)

### Further parts see page

|                         |           |
|-------------------------|-----------|
| - Dust cap for T-handle | 1C-340    |
| - Key                   | 8B-120    |
| - Spare key             | 8B-140    |
| - Hook latch            | 2B-120    |
| - Rod control           | 2B-130    |
|                         | to 2B-140 |

Info

1 Quarter turns

2 Rod controls

3 Locking systems

4 Hinges

5 Seals

6 Handles

7 Aluminium windows

8 Miscellaneous

9 Special catalogues

Index



Version A

Version B

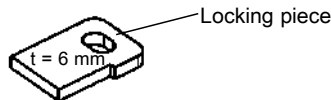
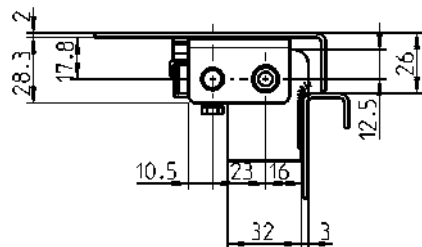
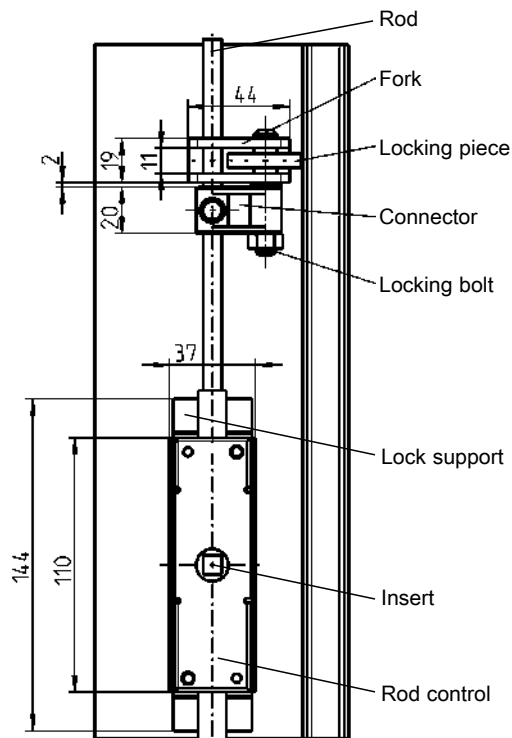


Single components on request

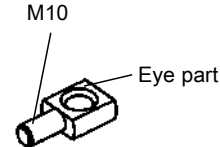
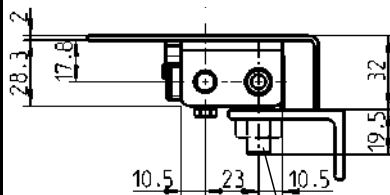
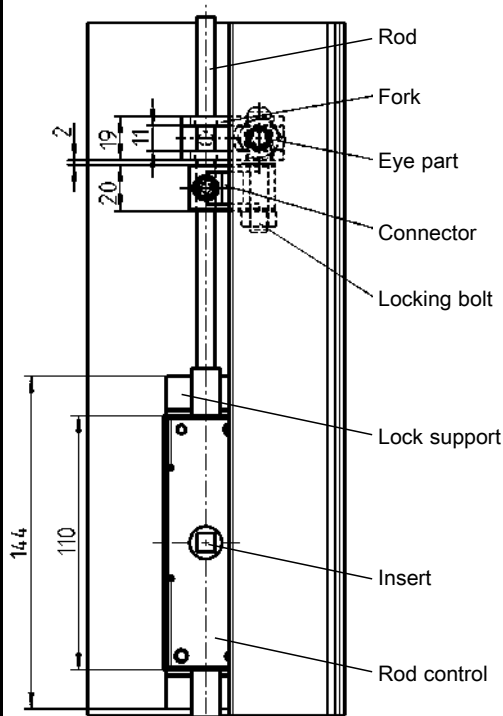
Further parts see page  
– Screw-on hinge

4A-260

Version A



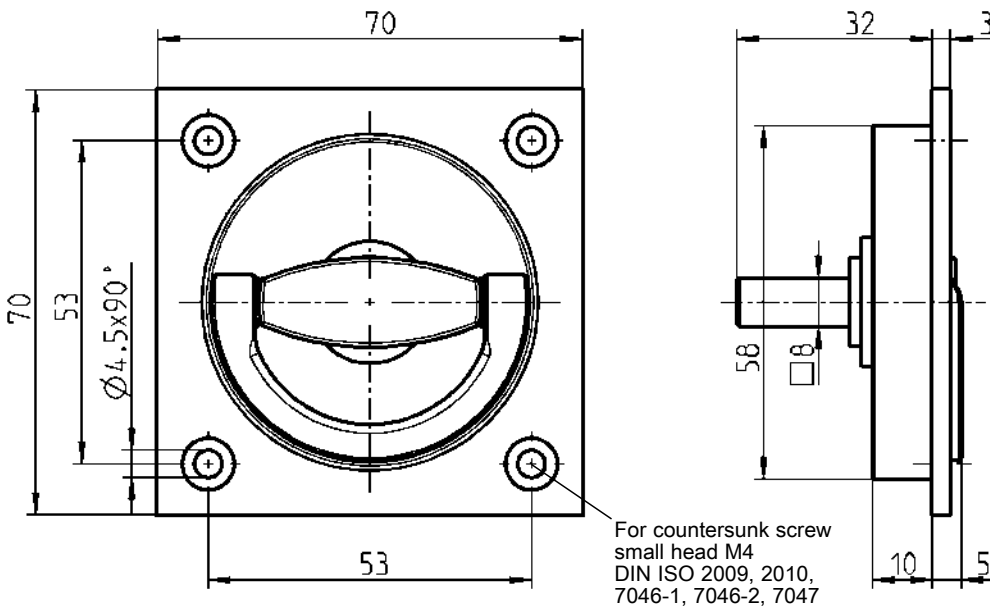
Version B



|  |                  |
|--|------------------|
| <b>Rod control m.s. zinc-plated</b>  | <b>Stroke 18</b> |
| Right  | 1001-U9          |
| Left   | 1001-U10         |
| <b>Support m.s. raw</b>  | 1001-18          |
| <b>Insert zinc die chrome-plated</b>   |                  |
| Double bit 5   | 1001-28          |
| <b>Key guide ABS</b>   | 1001-29          |
| <b>Bezel ABS chrome pl.</b>  | 1001-33          |
| <b>Rod m.s. zinc-pl.</b>   |                  |
| 1000 mm long   | 1092-03          |
| <b>Pressure fitting complete consisting of following single components:</b>            |                  |
| <b>Fork m.s. raw, connector zinc die zinc-plated, locking pin m.s. zinc-plated and</b> |                  |
| Version A: Locking piece m.s. raw  | 1092-U03         |
| Version B: Screw-on eye m.s. zinc-plated   | 1092-U04         |

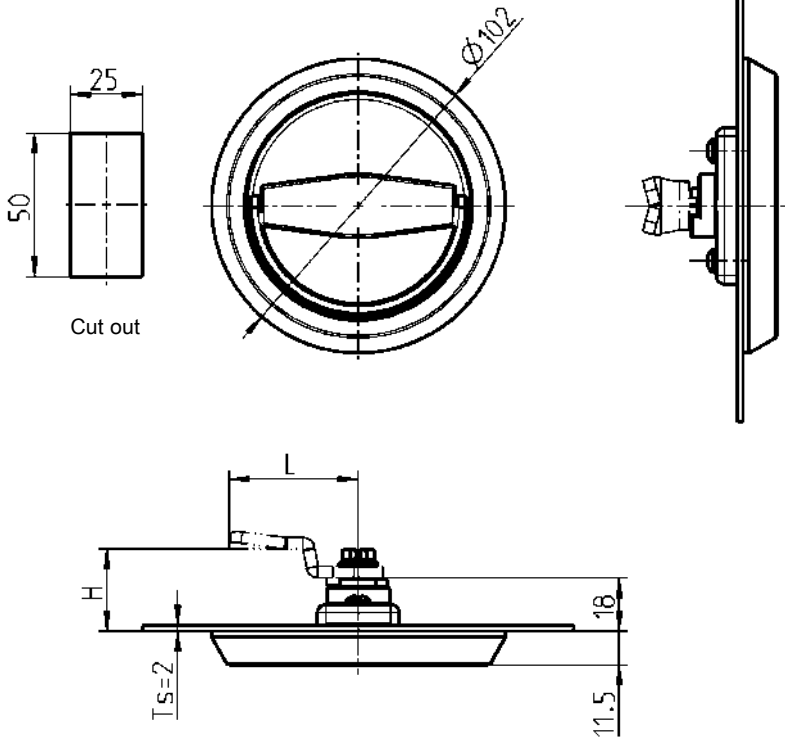
# Ring-handle insert

## PROGRAM 1098



Ring-handle insert zinc die silver powder-coated

1098-U1



Further parts see page  
– Cam with catch 1C-120  
(not suitable for stainless steel slam cam)

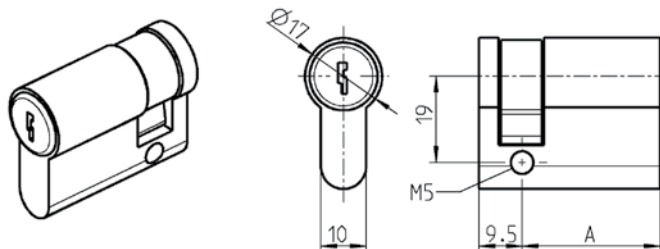
Ring-handle quarter turn AISI 316 Ti, with seal

IP 65

1098-U2

### Profile half cylinder PROGRAM universal

Profile half cylinder according to DIN 18252 (EN 1303)



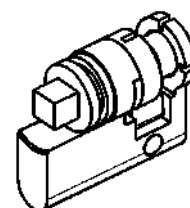
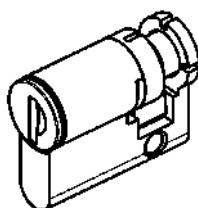
Profile half cylinder according to DIN 18252, brass nickel-plated with 3 keys

|                 |        |         |
|-----------------|--------|---------|
| keyed different | A = 30 | 1089-U1 |
| keyed 110319 N  | A = 30 | 1089-U2 |
| keyed different | A = 40 | 1089-U3 |
| keyed 110319 N  | A = 40 | 1089-U4 |

(Master key system on request)

EMKA profile half cylinder with round cylinder, rotates 360°

EMKA Profile half cylinder with insert, rotates 360°



EMKA profile half cylinder with round cylinder zinc die with stainless steel cap and dust cap, each round cylinder has one silver steel key with grip polyamide GF black, rotates 360°

keyed different or keyed EK 333

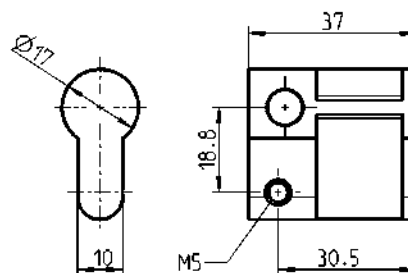
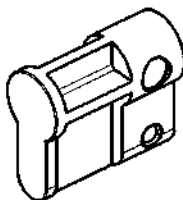
on request

EMKA profile half cylinder with insert zinc die chrome-plated, rotates 360°

Insert, e.g. square, triangular, double bit, slot and more

on request

Blind plug



Blind plug polyamide GF black

1109-09-AA

Blind plug for rod control Program 1068

A20

A26

(Illustration see right side, bottom)

1059-U1

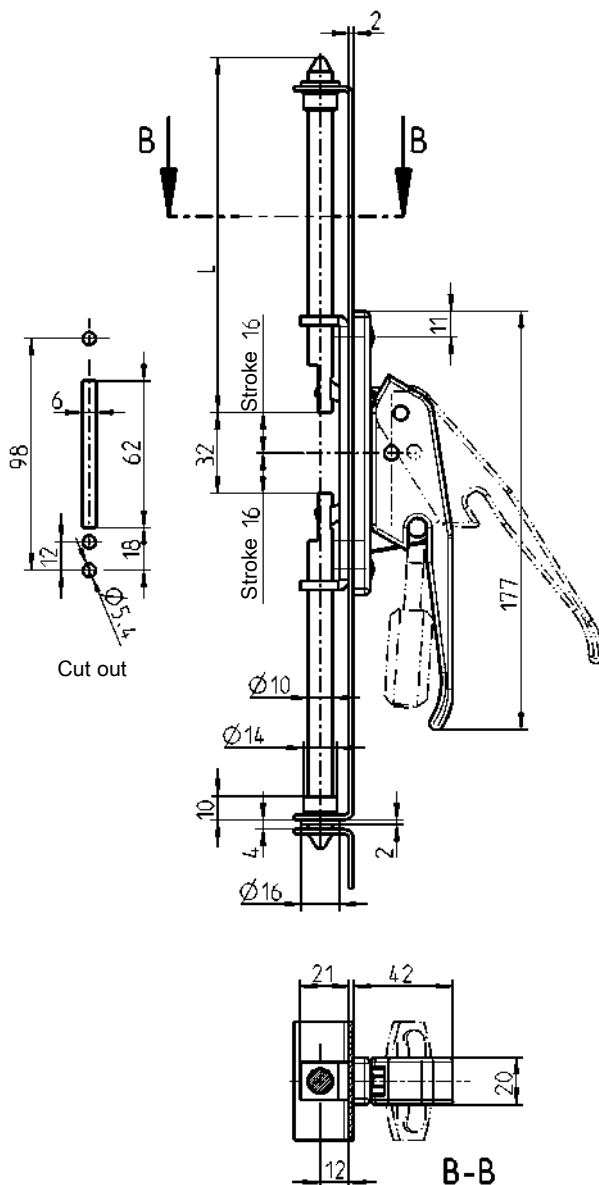
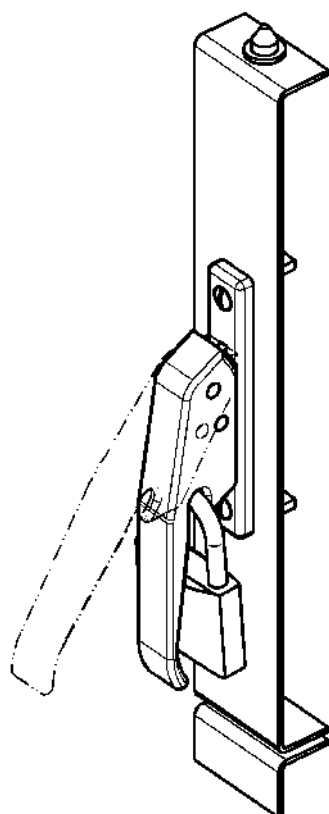
1059-U2

Further parts see page

- Key 8B-120
- Spare key 8B-140
- Rod control 2A-120
- 2B-140



# Lever locking system PROGRAM 1099



Lever version of choice, guiding bracket m.s. zinc-plated, guiding bushes brass nickel-plated, screws m.s. zinc-plated

Lever zinc die silver powder-coated 1099-U1

Lever polyamide black 1099-U4

Lever for padlock zinc die silver powder-coated 1099-U6

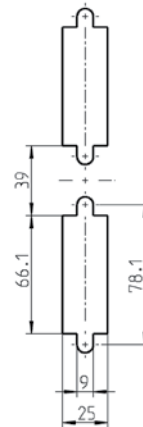
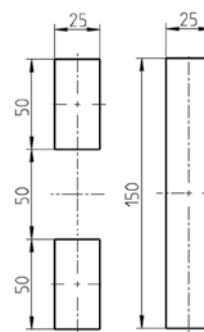
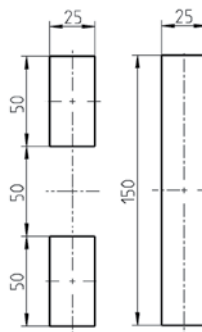
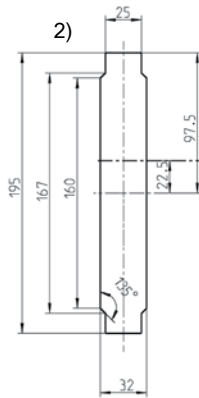
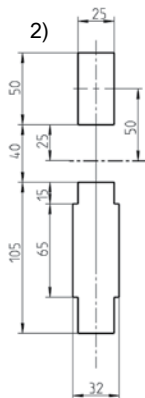
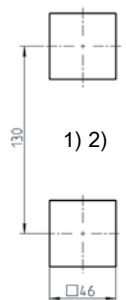
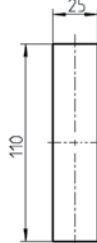
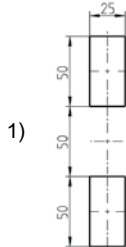
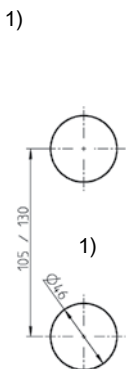
**Rod m.s. zinc-plated**

L = 1100 mm 1099-03

Other rod lengths available on request

# Swinghandles, lifthandles and escutcheons, Part 1

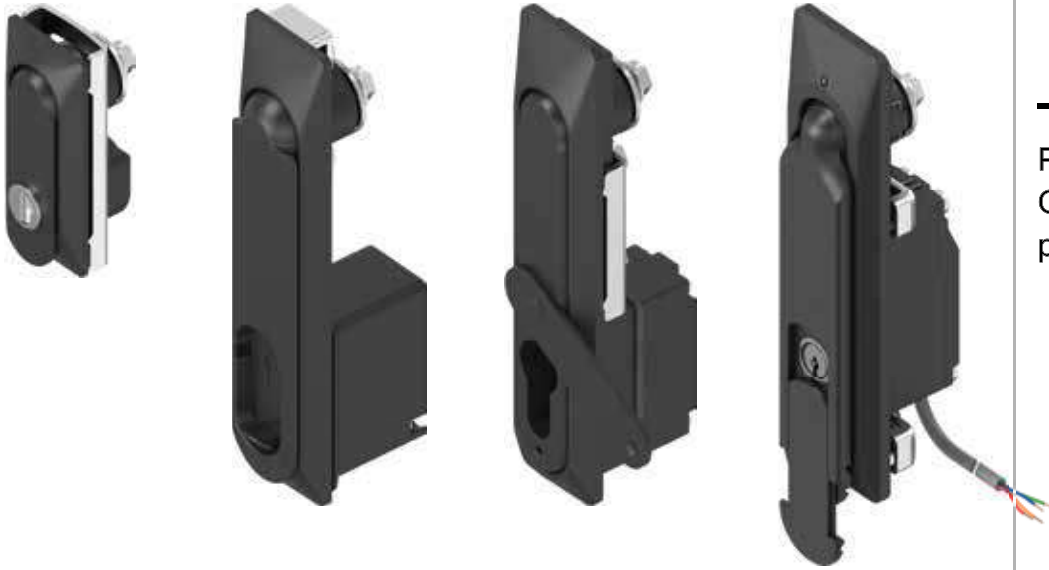
| 1107        | 1125        | 1125                        | 1150             | 1150             | 1150             |
|-------------|-------------|-----------------------------|------------------|------------------|------------------|
| Swinghandle | Swinghandle | Double cylinder swinghandle | Swinghandle 1150 | Swinghandle 1150 | Swinghandle 1151 |
| 3A-100      | 3B-100      | 3B-100                      | 3C-100           | 3C-100           | 3C-100           |



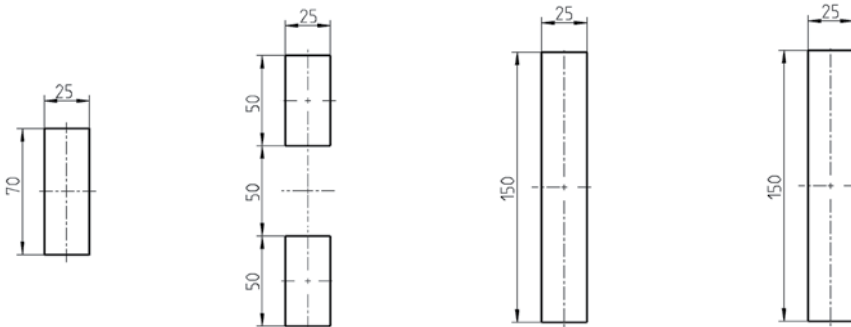
|       |             |       |       |                   |             |
|-------|-------------|-------|-------|-------------------|-------------|
| ●     | ●           | ●     | ●     | ●                 | ●           |
| ●     | ●           | ●     | ●     | ●                 | ●           |
| IP 65 | IP 40/IP 65 | IP 65 | IP 65 | IP 40             | IP 54/IP 65 |
| ●     | ●           | ●     | ●     | Emergency opening | ●           |
| ●     | ●           | ●     | ●     | ●                 | ●           |
| ●     | ●           | ●     | ●     | ●                 | ●           |
| ●     | ●           | ●     | ●     | ●                 | ●           |
| ●     | ●           | ●     | ●     | ●                 | ●           |
| ●     | ●           | ●     | ●     | ●                 | ●           |
| ●     | ●           | ●     | ●     | ●                 | ●           |

|  |  |  |  |
|--|--|--|--|
| <b>1150</b><br>Swinghandle<br>1152<br>3C-100 | <b>1150</b><br>Swinghandle<br>1153<br>3C-100 | <b>1150</b><br>Swinghandle<br>1154<br>3C-100 | <b>1150</b><br>Swinghandle<br>1154<br>3C-100 |
|--|--|--|--|

|                      |
|----------------------|
| <b>Beschlagteile</b> |
| see catalogue page   |



→  
Please see next page.  
Overview of further  
products.



|             |       |       |       |
|-------------|-------|-------|-------|
| •           | •     | •     | •     |
| IP 40/IP 65 | IP 65 | IP 65 | IP 65 |
| •           | •     | •     | •     |
| •           | •     | •     | •     |
| •           | •     | •     | •     |
| •           | •     | •     | •     |
| •           | •     | •     | •     |
| •           | •     | •     | •     |
| •           | •     | •     | •     |

|   |                                     |
|---|-------------------------------------|
| • | Inside the sealing                  |
| • | Outside the sealing                 |
| • | IP-Rating                           |
| • | Unlocked with insert                |
| • | Unlocked with round cylinder        |
| • | Unlocked with profile half cylinder |
| • | Unlocked electronically             |
| • | Unlocked without key                |
| • | Modular technology                  |
| • | Handle and dish polyamide           |
| • | Handle zinc die and dish polyamide  |
| • | Handle and dish zinc die            |
| • | Handle and dish stainless steel     |
| • | Fitting escutcheons                 |

# Swinghandles, lifthandles and escutcheons, Part 2

1 Quarter turns

2 Rod controls

3 Locking systems

4 Hinges

5 Seals








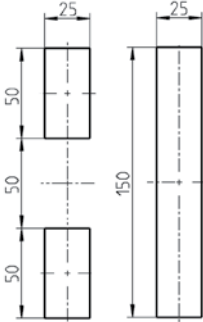

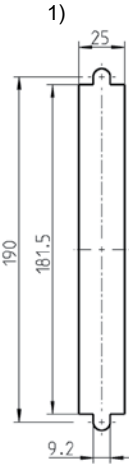


6 Handles

7 Aluminium windows

8 Miscellaneous






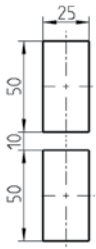
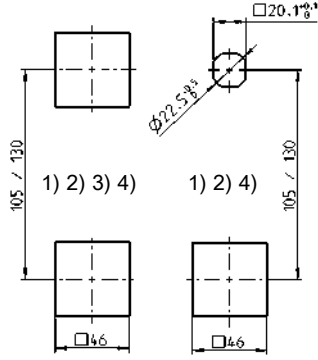
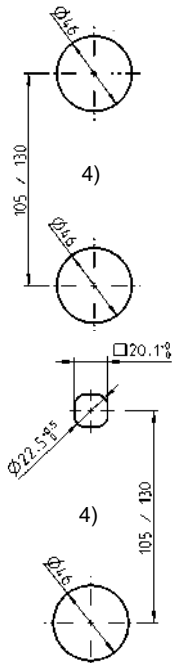
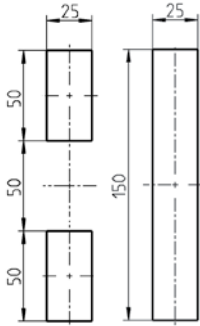
9 Special catalogues

Index

|  | 1150  | 1150  | 1160  | 1180  | 1180  | 1180  |
|--|---|---|---|---|---|---|
|  | Swinghandle<br>1154   | Swinghandle<br>1155   | Swinghandle<br>3D-100   | Swinghandle<br>1180   | Swinghandle<br>1185   | Swinghandle<br>1185   |
|  | 3C-100  | 3C-100  | 3D-100  | 3E-100  | 3E-100  | 3E-100  |
|  |    |    |    |   |    |    |
|  |  |  |  |  |  |  |
|  | ●   | ●   | ●   | ●   | ●   | ●   |
|  | IP 65   | IP 65   | IP 65   | IP 54   | IP 54   | IP 65   |
|  | ●   | ●   | ●   | ●   | ●   | ●   |
|  | ●   | ●   | ●   | ●   | ●   | ●   |
|  |   | Combination lock  | ●   | ●   | ●   | ●   |
|  |   | ●   | ●   | ●   | ●   | ●   |
|  | ●   |   | ●   | ●   |   | ●   |
|  |   |   | ●   | ●   |   |   |



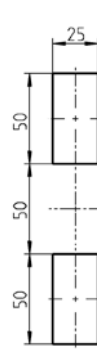
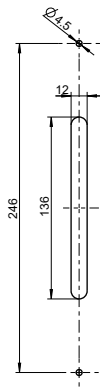
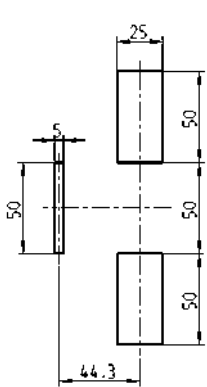
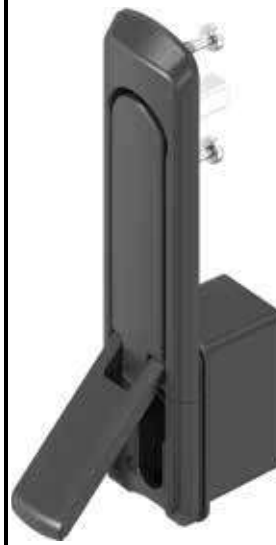
# Swinghandles, lifthandles and escutcheons, Part 3

|  | <b>1225</b>   | <b>1317</b>   | <b>1317</b>  | <b>1317</b>  | <b>1317</b>   | <b>1325</b> |
|--|---|---|--|--|---|-------------|
|  | Swinghandle   | Swinghandle   | Swinghandle  | Swinghandle Outdoor  | Swinghandle   | Swinghandle |
|  | 3G-100  | 3AB-100   | 3AB-100  | 3AB-100  | 3AB-100   | 3BA-100     |
|  |    |    |  |   |    |             |
|  |   | 1) 2)   | 3)   | 4)   |   |             |
|  |  |  |  |  |  |             |
|  | •   | •   | •  | •  | •   | •           |
|  | IP 65   | IP 65   | IP 65  | IP 65  | IP 65   | IP 40/IP 65 |
|  | •   | •   | •  | •  | •   | •           |
|  |   | •   |  | •  | •   | •           |
|  | •   |   | •  | •  | •   | •           |
|  |   | •   | •  | •  | •   | •           |
|  |   |   | •  | •  | •   | •           |
|  |   |   |  | •  | •   | •           |

| 1325        | 1390       | 2100        | 2225        |
|-------------|------------|-------------|-------------|
| Swinghandle | Lifthandle | Swinghandle | Swinghandle |
| 3BA-100     | 3FA-100    | 3H-100      | 3J-100      |

## Beschlagteile

see catalogue page



Please see next page.  
Overview of further products.



Please see previous page.  
Overview of further products.

|       |   |       |       |                                     |
|-------|---|-------|-------|-------------------------------------|
| •     |   | •     | •     | Inside the sealing                  |
| •     | • | •     | •     | Outside the sealing                 |
| IP 65 |   | IP 54 | IP 65 | IP-Rating                           |
| •     | • | •     | •     | Unlocked with insert                |
| •     | • | •     | •     | Unlocked with round cylinder        |
| •     | • | •     | •     | Unlocked with profile half cylinder |
| •     |   | •     |       | Unlocked electronically             |
| •     |   | •     |       | Unlocked without key                |
| •     | • | •     | •     | Modular technology                  |
| •     |   | •     |       | Handle and dish polyamide           |
|       |   | •     |       | Handle zinc die and dish polyamide  |
|       |   |       | •     | Handle and dish zinc die            |
|       |   |       |       | Handle and dish stainless steel     |
|       | • | •     |       | Fitting escutcheons                 |

### Beschlagteile

**2400**

Swinghandle

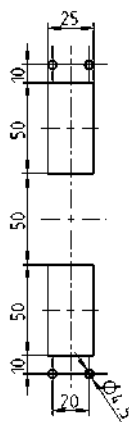
**3000**

Swinghandle

see catalogue page

3K-100

3N-100



Please see previous page.  
Overview of further products.

Inside the sealing

Outside the sealing

IP-Rating

Unlocked with insert

Unlocked with round cylinder

Unlocked with profile half cylinder

Unlocked electronically

Unlocked without key

Modular technology

Handle and dish polyamide

Handle zinc die and dish polyamide

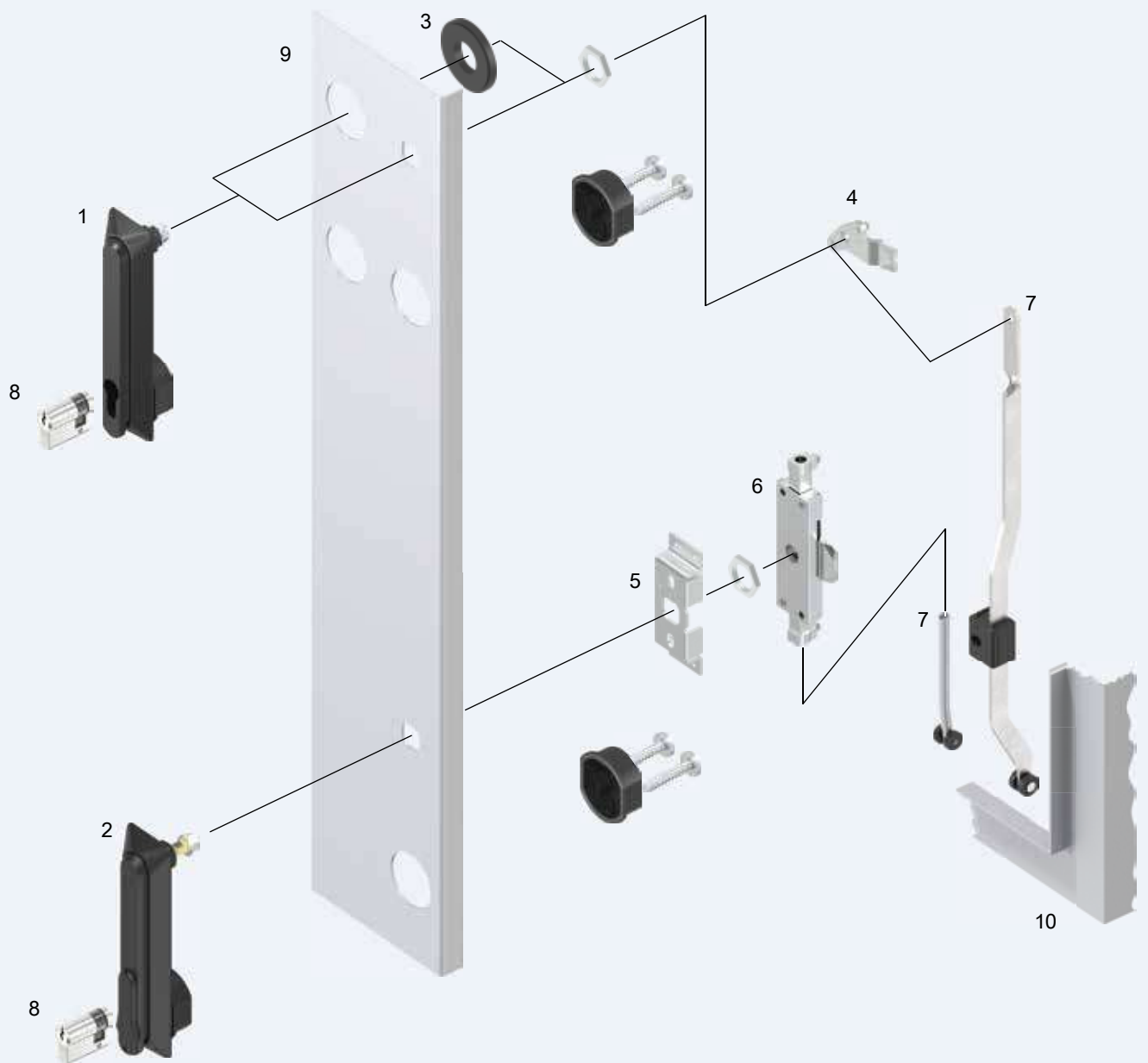
Handle and dish zinc die

Handle and dish stainless steel

Fitting escutcheons



# Swinghandle Program 1107



- 1 Swinghandle
- 2 Swinghandle
- 3 Adapter ring
- 4 Cam
- 5 Support
- 6 Rod control
- 7 Rod
- 8 Profile half cylinder
- 9 Door
- 10 Housing/frame

3A-120, 3A-140  
3A-220

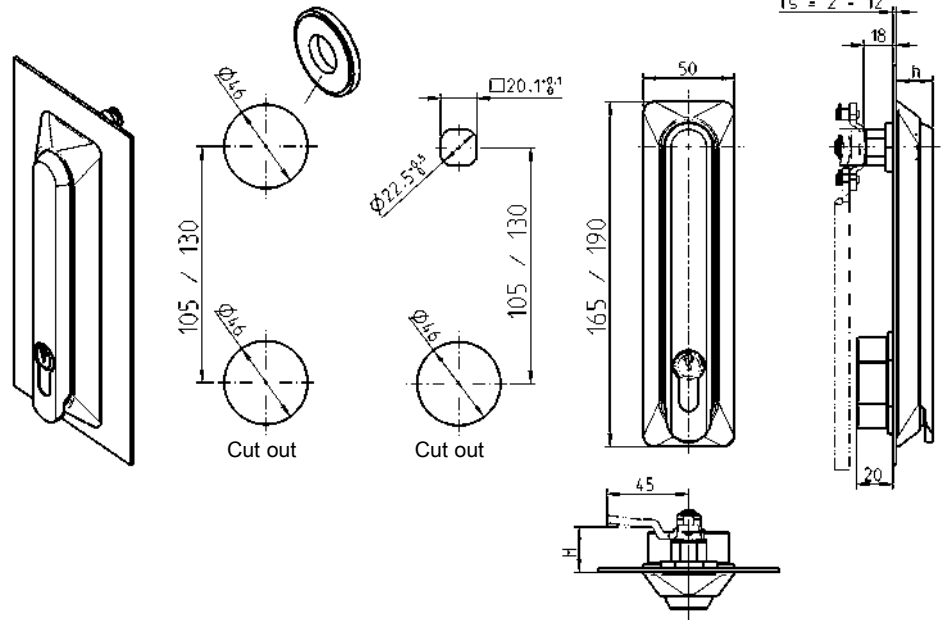


## 3A-100



Version A

Version B

**Attention:**

With adapter the maximum door gauge (Ts) will be 6 mm

**Note:**

If door gauge (Ts) > 4 mm standard round rods cannot be used!

**Swinghandle 'long' or 'short'**  
handle polyamide GF black; dish polyamide GF V0 black;  
shaft brass; cylinder cover polyamide GF black;  
fixing material m.s. zinc plated; with seal

**Swinghandle 'long' (190) without cylinder cover**

|   |           |
|---|-----------|
| for 40 mm profile half cylinder (h = 20 mm) | 1107-U1-G |
|---|-----------|

**Swinghandle 'long' (190) with cylinder cover, sealable**

|  |             |
|--|-------------|
| for 40 mm profile half cylinder (h = 20 mm)  | 1107-U2-G   |
| for 40 mm profile half cylinder (h = 20 mm)<br>(handle zinc die black powder-coated) | 1107-U102-G |
| for 45 mm profile half cylinder (h = 25 mm)  | 1107-U32-G  |

**Swinghandle 'short' (165) without cylinder cover**

|   |             |
|---|-------------|
| for 40 mm profile half cylinder (h = 20 mm) | 1107-U158-G |
|---|-------------|

**Swinghandle 'short' (165) with cylinder cover, sealable**

|   |             |
|---|-------------|
| for 40 mm profile half cylinder (h = 20 mm) | 1107-U159-G |
| for 45 mm profile half cylinder (h = 25 mm) | 1107-U169-G |

**Adapter ring polyamide GF black, required for cut out version A**

|  |         |
|--|---------|
|  | 1107-53 |
|--|---------|

|  |           |
|--|-----------|
| * Order screw set separately if Ts = 4-12 mm | 1107-U170 |
|--|-----------|

**Further parts see page**

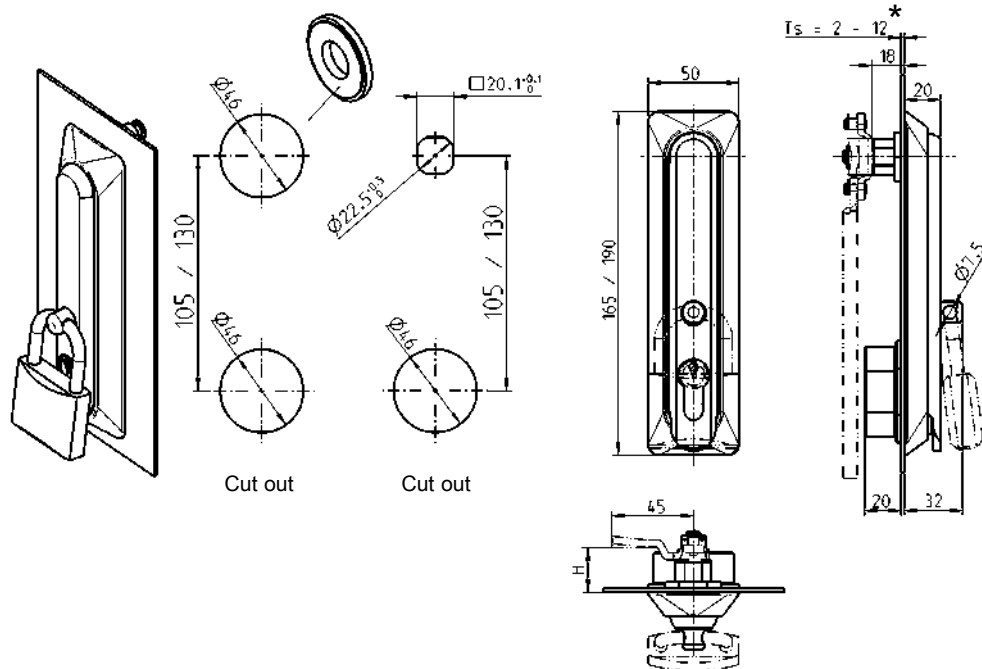
|                          |         |
|--------------------------|---------|
| - Cam                    | 3YC-120 |
| - Rod control<br>for cam | 3YC-180 |
| - Profile half cylinder  | 3XB-120 |

# Swinghandle for padlock

## PROGRAM 1107



Version A      Version B



**Attention:**  
With adapter the maximum door gauge (Ts) will be 6 mm

**Note:**  
If door gauge (Ts) > 4 mm standard round rods cannot be used!

Swinghandle 'long' or 'short'  
handle polyamide GF black; dish polyamide GF V0 black; shaft brass;  
padlock shackle AISI 303; fixing material m.s. zinc-plated; with seal

Swinghandle 'long' (190)

for 40 mm profile half cylinder

1107-U96-G

Swinghandle 'short' (165)

for 40 mm profile half cylinder

1107-U164-G

Adapter ring polyamide GF black, required for cut out version A

1107-53

\* Order screw set separately if Ts = 4-12 mm

1107-U170

**Further parts see page**

- Cam 3YC-120
- Rod control for cam 3YC-180
- Profile half cylinder 3XB-120

Info

1 Quarter turns



2 Rod controls



3 Locking systems



4 Hinges

5 Seals

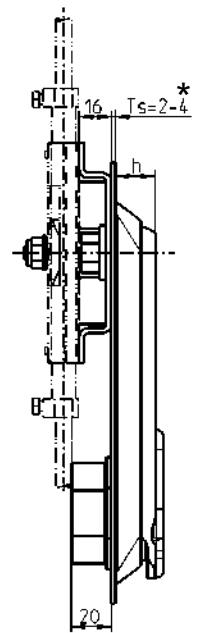
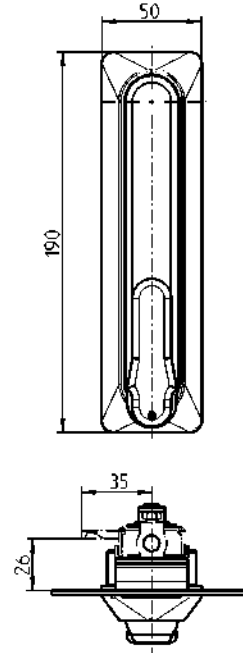
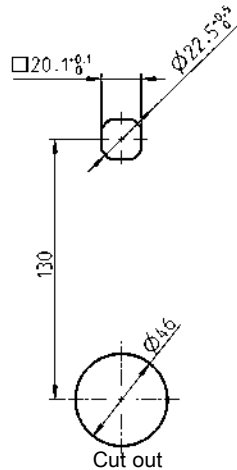
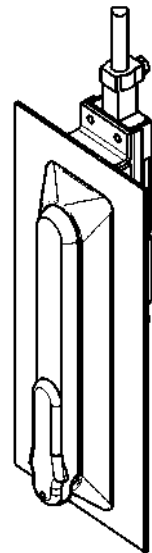
6 Handles

7 Aluminium windows

8 Miscellaneous

9 Special catalogues

Index



\* Ts > 4 to 11 mm on request

#### Further parts see page

– Rod control 2B-130  
2B-135  
– Profile half cylinder 3XB-120

Handle material of choice; dish polyamide GF V0 black;  
cylinder cover sealable polyamide GF black;  
shaft brass; fixing material m.s. zinc-plated; with seal;  
for 40 mm profile half cylinder (h = 20 mm)

Handle polyamide GF black

1107-U14-G

Handle zinc die black powder-coated

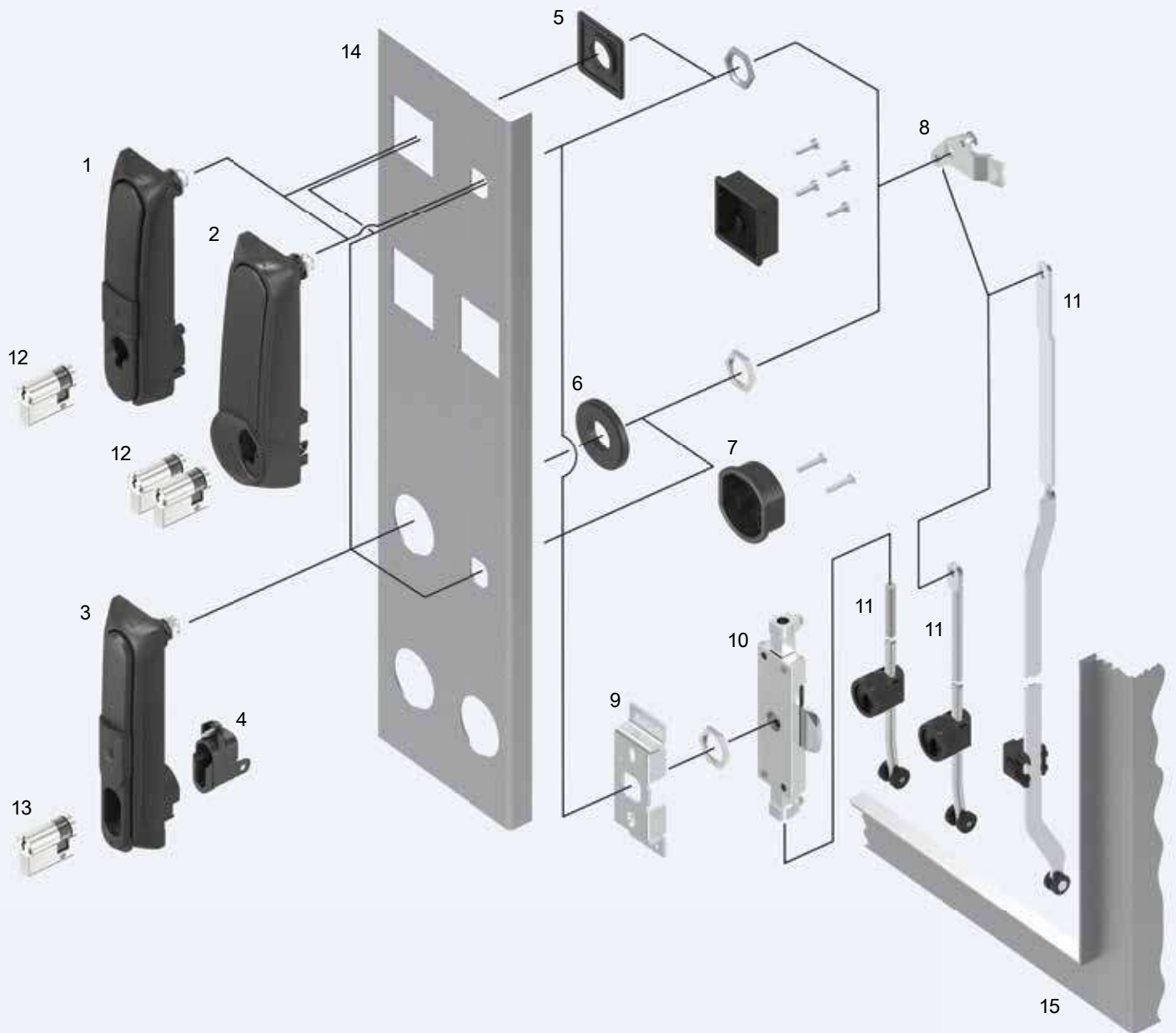
1107-U104-G

**Support m.s. zinc-plated**

RH and LH version

1001-50

# Swinghandle Program 1317



- |    |  |                  |
|----|--|------------------|
| 1  | Swinghandle with RC2                             | 3AB-120; 3AB-180 |
| 2  | Double cylinder swinghandle with RC2             | 3AB-160; 3AB-220 |
| 3  | Swinghandle with modular locking system          | 3AB-140; 3AB-220 |
| 4  | Locking set                                      |                  |
| 5  | Adapter plate                                    |                  |
| 6  | Adapter ring (not included in scope of delivery) |                  |
| 7  | Cap (not included in scope of delivery)          |                  |
| 8  | Cam  |                  |
| 9  | Support  |                  |
| 10 | Rod control                                      |                  |
| 11 | Rod  |                  |
| 12 | Profile half cylinder                            |                  |
| 13 | Locking set, e.g. profile half cylinder          |                  |
| 14 | Door   |                  |
| 15 | Housing / Frame                                  |                  |



## 3AB-100

# Swinghandle with RC2, mechanical or electromechanical release

## PROGRAM 1317

**Resistance class:** RC2 DIN EN 1630, achieved by profile half cylinder according to DIN EN 18252-BZ or DIN EN 1303 with resistance class 2 with protection against drilling and pulling. The profile half cylinder should be certified and monitored by PIV CERT or alternatively by a certifying body according to DIN EN ISO/IEC 17065.

**Size:** 'long' (189.5 mm, cut out 130 mm) or 'short' (164.5 mm, cut out 105 mm)  
**Material:** Zinc die black powder-coated or zinc die grey powder-coated (RAL 7038) or zinc die grey powder-coated (RAL 7038) and anti-graffiti coated

### Mechanical version:

**Profile half cylinder:** 40 mm and 45 mm; set locking cam at 6 or 7 o'clock. At 3 or 5 o'clock push-to-close is not possible.  
**Sealable:** Yes

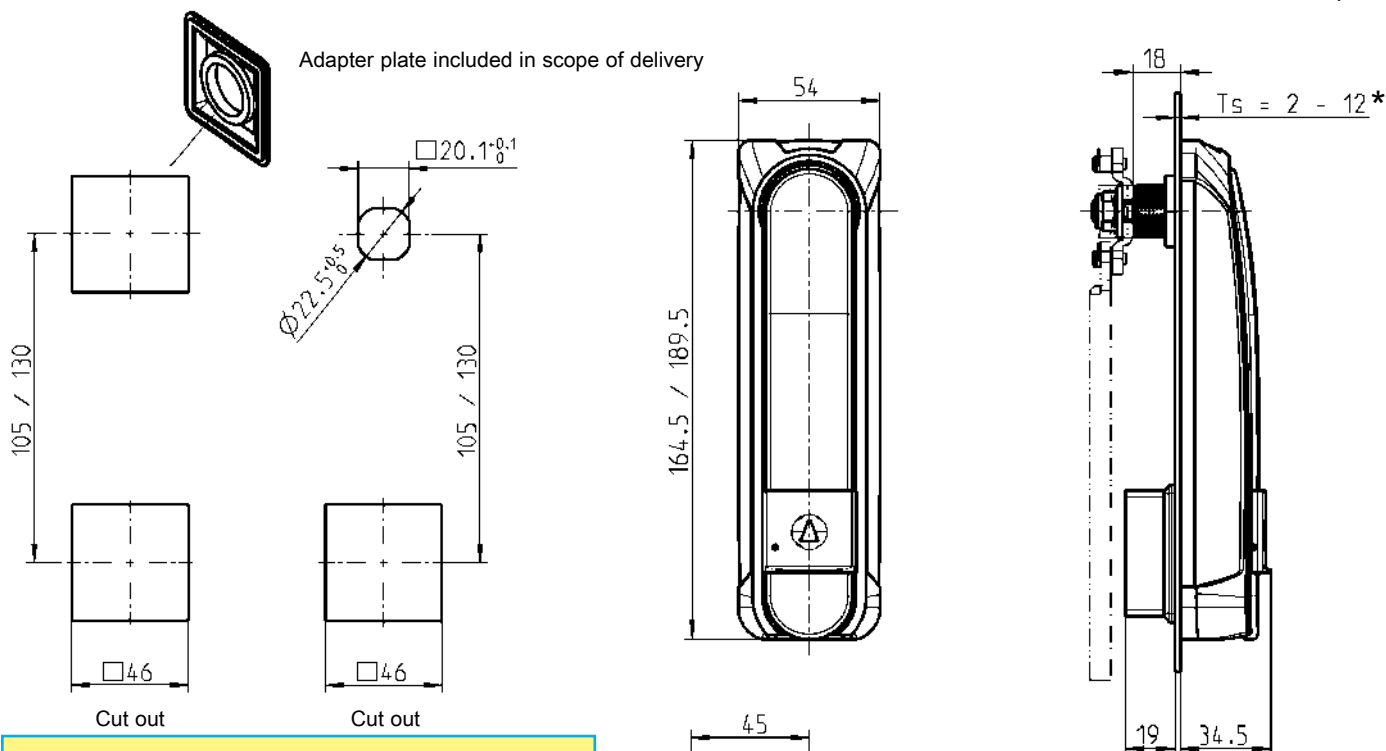
### Electromagnetic version (EL):

**Application range:** Indoor and outdoor from -30°C to +80°C  
**Release:** By applying a 48 V DC signal  
**Power-on time:** Up to 1 minute  
**Display:** Optional by LED  
**Remote monitoring:** Status indication via Reed contact  
**Closing:** Push the handle into the dish until the locking mechanism engages  
**Emergency opening:** Optional with 40 mm or 45 mm profile half cylinder

Version A

Version B

Ts > 6 mm - 12 mm on request



### Product benefits

- The swinghandle has successfully passed the test according to RC2 DIN EN 1630
- The IK 10 protection class test in accordance with DIN EN 50102 was successfully passed
- Integrated scratch protection prevents surface damage (handle / dish)
- Tested and approved by Deutsche Telekom

### Attention:

With use of an adapter plate the maximum door gauge (Ts) is 6 mm.

### Note:

If door gauge (Ts) > 6 mm standard round rods cannot be used!

### Note:

Without profile half cylinder, opening is only possible by temporary key 1004-44-01AA

\*\* In case of mechanical and the electromechanical version, only the profile half cylinder according to DIN EN 18252 and DIN EN 1303 can be used.



**Swinghandle 'long' or 'short'**  
dish and handle zinc die surface on request  
shaft brass; cylinder cover polyamide black or grey (RAL 7038);  
cap zinc die black powder coated; adapter plate polyamide GF black for cut out version A;  
blind plug polyamide GF black (loose), spring, data sheet and assembling instruction included  
in the electromechanical version;  
fixing material m.s. zinc-plated; with seal

**Swinghandle 'long' (189.5)**  
**GD-Zn black powder-coated**

|  |              |
|--|--------------|
| Mechanical version for 40 mm profile half cylinder, with additional locking cam position 30° | 1317-U122    |
| Mechanical version for 45 mm profile half cylinder   | 1317-U123    |
| Mechanical version for KABA cylinder type 1514   | on request   |
| Electromechanical version optional for 40 and 45 mm profile half cylinder                    | 1317-U161-02 |

**Swinghandle 'long' (189.5)**  
**zinc die grey powder-coated (RAL 7038)**

|  |              |
|--|--------------|
| Mechanical version for 40 mm profile half cylinder, with additional locking cam position 30° | 1317-U122-BO |
| Mechanical version for 45 mm profile half cylinder   | 1317-U123-BO |

**Swinghandle 'long' (189.5)**  
**zinc die grey powder-coated (RAL 7038) and anti-graffiti coated**

|  |                |
|--|----------------|
| Mechanical version for 40 mm profile half cylinder, with additional locking cam position 30° | 1317-U122-HJ   |
| Mechanical version for 45 mm profile half cylinder   | 1317-U123-HJ   |
| Mechanical version for KABA cylinder type 1514   | on request     |
| Electromechanical version optional for 40 and 45 mm profile half cylinder                    | 1317-U161-02HJ |

**Swinghandle 'short' (164.5)**  
**zinc die black powder-coated**

|  |              |
|--|--------------|
| Mechanical version for 40 mm profile half cylinder, with additional locking cam position 30° | 1317-U102    |
| Mechanical version for 45 mm profile half cylinder   | 1317-U103    |
| Mechanical version for KABA cylinder type 1514   | 1317-U131    |
| Electromechanical version optional for 40 and 45 mm profile half cylinder                    | 1317-U151-02 |

**Swinghandle 'short' (164.5)**  
**zinc die grey powder-coated (RAL 7038)**

|  |              |
|--|--------------|
| Mechanical version for 40 mm profile half cylinder, with additional locking cam position 30° | 1317-U102-BO |
| Mechanical version for 45 mm profile half cylinder   | 1317-U103-BO |

**Swinghandle 'short' (164.5)**  
**zinc die grey powder-coated (RAL 7038) and anti-graffiti coated**

|  |                |
|--|----------------|
| Mechanical version for 40 mm profile half cylinder, with additional locking cam position 30° | 1317-U102-HJ   |
| Mechanical version for 45 mm profile half cylinder   | 1317-U103-HJ   |
| Mechanical version for KABA cylinder type 1514   | 1317-U131-HJ   |
| Electromechanical version optional for 40 and 45 mm profile half cylinder                    | 1317-U151-02HJ |

**Building key polyamide black**

1004-44-01AA



**Note:**  
The electromechanical version is also available in 12 V DC on request.

**Further parts see page**  
– Cam 3YC-120  
– Rod control for cam 3YC-180  
– \*\* Profile half cylinder 3XB-120

# Swinghandle with modular locking system

## PROGRAM 1317

### Single cylinder swinghandle

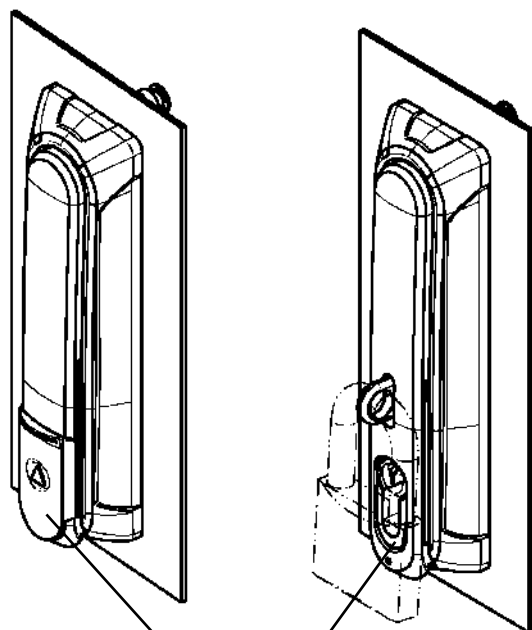
Size: 'long' (188 mm, cut out 130 mm)  
or 'short' (163 mm, cut out 105 mm)

Material: Polyamide GF black

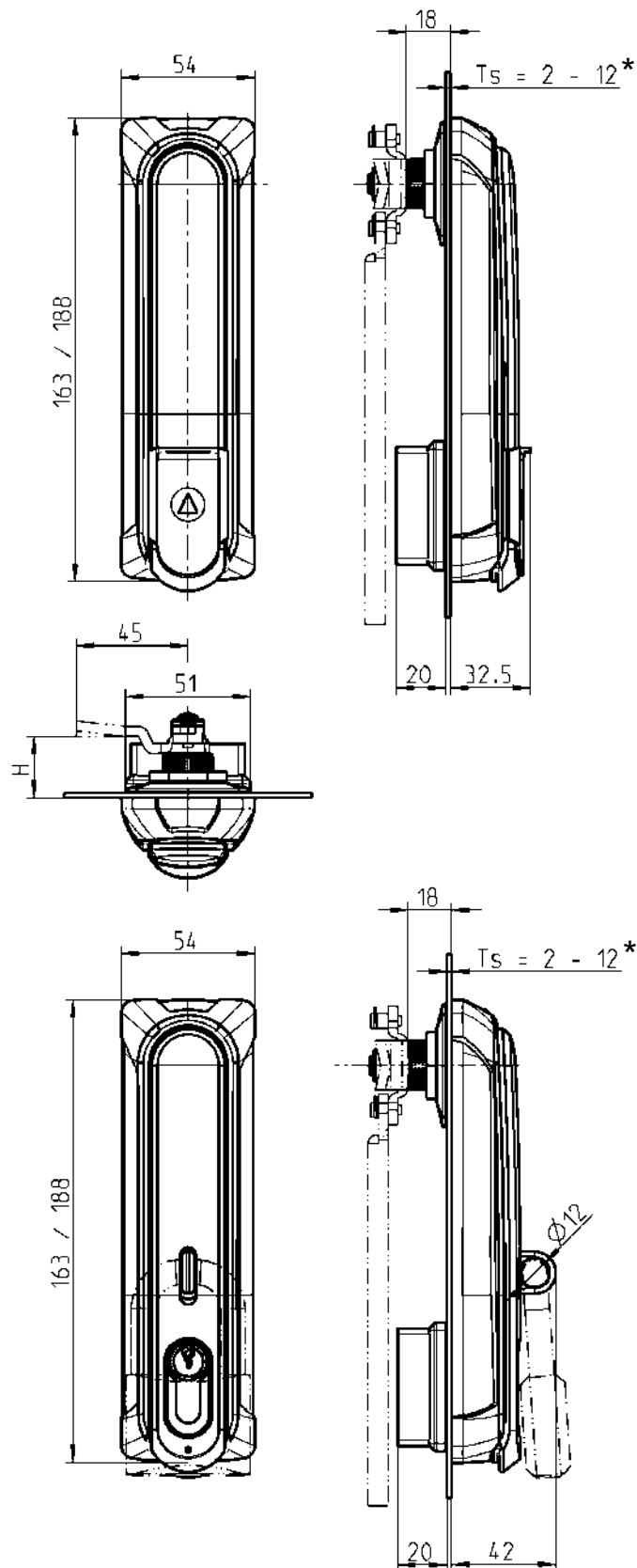
Profile half cylinder: 40 mm  
45 mm

Sealable: Yes, bore hole in dish necessary

Ts > 6 mm - 12 mm on request



with modular locking system



### Attention:

If the adapter plate or the adapter ring is used, the maximum door gauge (Ts) is 6 mm (with cut out version A and C)

### Note:

If door gauge (Ts) > 4 mm standard round rods cannot be used!



### Version A

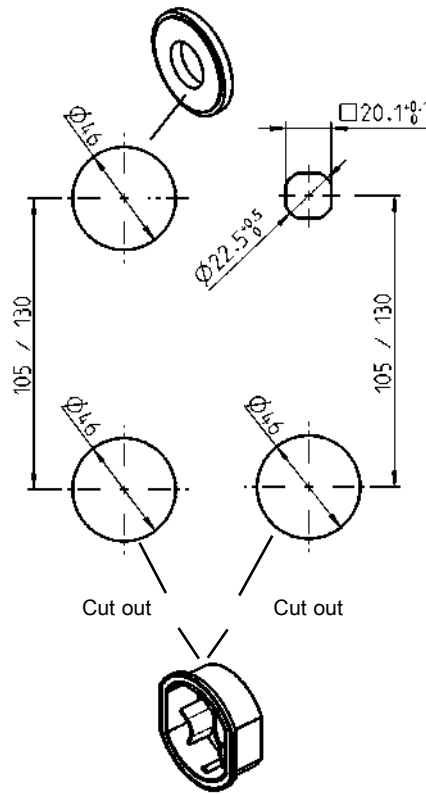
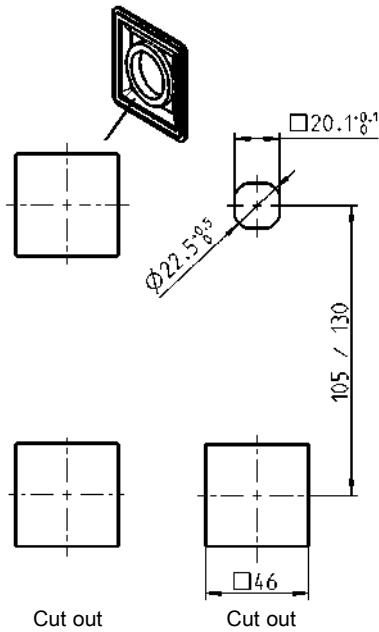
### Version B

### Version C

### Version D

Adapter plate included in scope of delivery

Adapter ring not included in scope of delivery



Cap not included in scope of delivery

### New defined standards

- Ergonomic surface feel
- Variable locking options
- Integrated scratch protection prevents surface damage (handle / dish)

Swinghandle 'long' or 'short' handle polyamide GF black; dish polyamide GF black; cylinder cover polyamide GF black (not for swinghandle for padlock); shaft brass and POM GF black; padlock shackle AISI 316 (for swinghandle for padlock); cap polyamide GF V0 black; adapter plate polyamide GF V0 black for cut out Version A; fixing material m.s. zinc-plated; with seal

|                                 | without locking system ❶ | with locking set for profile half cylinder ❷ |                   |
|---------------------------------|--------------------------|--|-------------------|
|                                 |                          | 40 mm (A = 30 mm)                            | 45 mm (A = 35 mm) |
| Swinghandle 'long'              | 1317-U421                | 1317-U421-01                                 | 1317-U423-01      |
| Swinghandle 'long' for padlock  | 1317-U426                | 1317-U426-01                                 | on request        |
| Swinghandle 'short'             | 1317-U401                | 1317-U401-01                                 | 1317-U403-01      |
| Swinghandle 'short' for padlock | 1317-U406                | 1317-U406-01                                 | on request        |

### required for cut outs C and D

|                                    |              |
|------------------------------------|--------------|
| Adapter ring polyamide GF V0 black | 1107-53      |
| Cap polyamid V0 black              | 1107-11-03AA |

\* Order screw set separately if Ts = 4 - 12 mm 1107-U170



Locking set for different key systems (see catalogue page 3BA-220)

### Further parts see page

- Profile half cylinder 3XB-120
- Locking set 3XC-120
- Cams 3YC-120
- Rod control for cam 3YC-180

# Double cylinder swinghandle with RC2

## PROGRAM 1317

### Double cylinder swinghandle

Resistance class: RC2 DIN EN 1630, achieved by profile half cylinder according to DIN EN 18252-BZ or DIN EN 1303 with resistance class 2 with protection against drilling and pulling. The profile half-cylinder should be certified and monitored by PIV CERT or alternatively by a certifying body according to DIN EN ISO/IEC 17065.

Size:  
or  
'long' (189.5 mm, cut out 130 mm)  
'short' (164.5 mm, cut out 105 mm)

Material:  
or  
or  
or  
Zinc die black powder-coated  
Zinc die grey powder-coated (RAL 7038) and anti-graffiti coated  
Polyamide GF black  
Polyamide GF grey (RAL 7038)  
Polymide anti-graffiti coated on request

RC2: Swinghandle zinc die

Profile half cylinder: 40 mm and 45 mm; set locking cam at 6 o'clock.  
Profile half cylinder on the right hand also possible at 5 o'clock.

Key removable: Always removable or when handle is put in

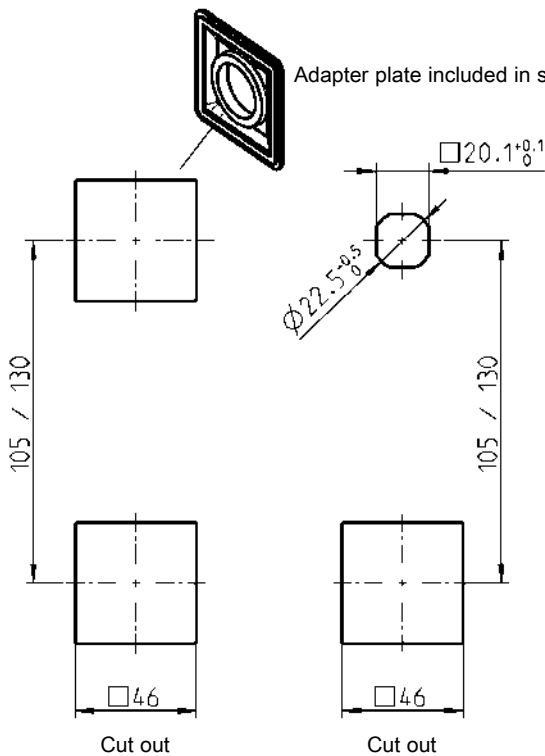
Sealable: Yes, bore hole  $\varnothing 2$  mm necessary in handle



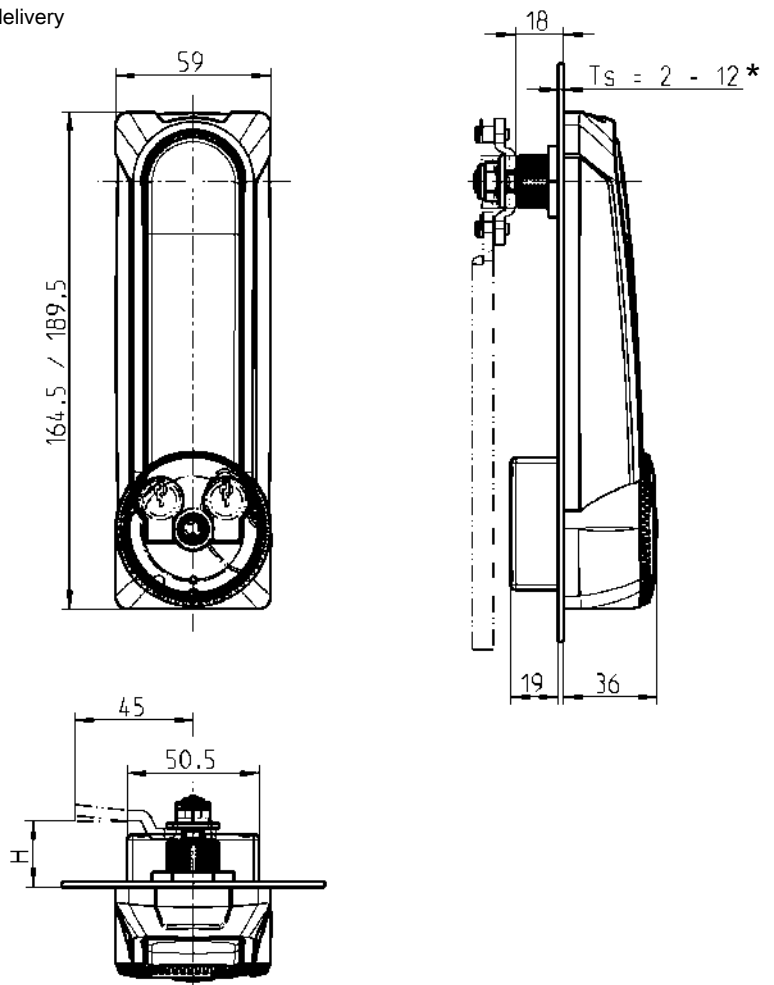
45 mm  
40 mm  
not included in scope of delivery

Version A

Version B



Ts > 6 mm - 12 mm on request



#### Product benefits

- Zinc die version fulfills the requirements of resistance class RC2 (protection against vandalism) according to DIN EN 1630
- Great flexibility regarding cost / benefit due to the big variety of types
- Tested and approved by Deutsche Telekom

#### Attention:

With use of an adapter plate the maximum door gauge (Ts) is 6 mm.

#### Note:

If door gauge (Ts) > 6 mm standard round rods cannot be used!

### New defined standards

The swinghandle made of zinc die has successfully passed the test according to RC2 DIN EN 1630. The IK 10 protection class test in accordance with DIN EN 50102 was successfully passed for swinghandles made of zinc die. Integrated scratch protection prevents surface damage (handle / dish)



1 Quarter turns

2 Rod controls

Swinghandle 'long' or 'short'  
dish and handle version of choice;  
shaft brass or brass and POM GF black;  
cylinder cover zinc die black-powder coated or grey powder-coated (RAL 7038);  
cap zinc die black powder-coated or polyamide GF V0 black;  
adapter plate Polyamide GF V0 black for cut out version A;  
fixing material m.s. zinc die; with seal and spring

### Swinghandle 'long' (189.5)

Version of choice:

1. Zinc die black powder-coated; cap zinc die black powder-coated; shaft brass
2. Polyamide GF black; cap polyamide GF V0 black; shaft brass and POM GF black

|  |           |
|--|-----------|
| 1. Zinc die (RC2); key always removable                    | 1317-U221 |
| 1. Zinc die (RC2); key removable when the handle is put in | 1317-U222 |
| 2. Polyamide; key always removable                         | 1317-U321 |
| 2. Polyamide; key removable when the handle is put in      | 1317-U322 |

### Swinghandle 'long' (189.5)

Version of choice:

1. Zinc die grey powder-coated (RAL 7038) and anti-graffiti coated; cap zinc die black powder-coated; shaft brass
2. Polyamide GF grey (RAL 7038); cap polyamide GF V0 black; shaft m.s. zinc-plated

|  |              |
|--|--------------|
| 1. Zinc die (RC2); key always removable                    | 1317-U221-HJ |
| 1. Zinc die (RC2); key removable when the handle is put in | 1317-U222-HJ |
| 2. Polyamide; key always removable                         | 1317-U321-BO |
| 2. Polyamide; key removable when the handle is put in      | 1317-U322-BO |

### Swinghandle 'short' (164.5)

Version of choice:

1. Zinc die black powder-coated; cap zinc die black powder-coated; shaft brass
2. Polyamide GF black; cap polyamide GF V0 black; shaft brass and POM GF black

|  |           |
|--|-----------|
| 1. Zinc die (RC2); key always removable                    | 1317-U201 |
| 1. Zinc die (RC2); key removable when the handle is put in | 1317-U202 |
| 2. Polyamide; key always removable                         | 1317-U301 |
| 2. Polyamide; key removable when the handle is put in      | 1317-U302 |

### Swinghandle 'short' (164.5)

Version of choice:

1. Zinc die grey powder-coated (RAL 7038) and anti-graffiti coated; cap zinc die black powder-coated; shaft brass
2. Polyamide GF grey (RAL 7038); cap polyamide GF V0 black; shaft brass and POM GF black

|  |              |
|--|--------------|
| 1. Zinc die (RC2); key always removable                    | 1317-U201-HJ |
| 1. Zinc die (RC2); key removable when the handle is put in | 1317-U202-HJ |
| 2. Polyamide; key always removable                         | 1317-U301-BO |
| 2. Polyamide; key removable when the handle is put in      | 1317-U302-BO |

### Building key polyamide black

1004-44-01AA



3 Locking systems

4 Hinges

5 Seals

6 Handles

7 Aluminium windows

8 Miscellaneous

9 Special catalogues

Index

### Further parts see page

- Cam 3YC-120
- Rod control for cam 3YC-180
- Profile half cylinder 3XB-220

# Swinghandle Outdoor with RC2, mechanical or electromechanical release

## PROGRAM 1317

**Resistance class:** RC2 DIN EN 1630, achieved by profile half cylinder according to DIN EN 18252-BZ or DIN EN 1303 with resistance class 2 with protection against drilling and pulling. The profile half cylinder should be certified and monitored by PIV CERT or alternatively by a certifying body according to DIN EN ISO/IEC 17065.

**Size:** 'short' (164.5 mm, cut out 105 mm)  
**Material:** Zinc die grey powder-coated (RAL 7038), anti-graffiti coating on request

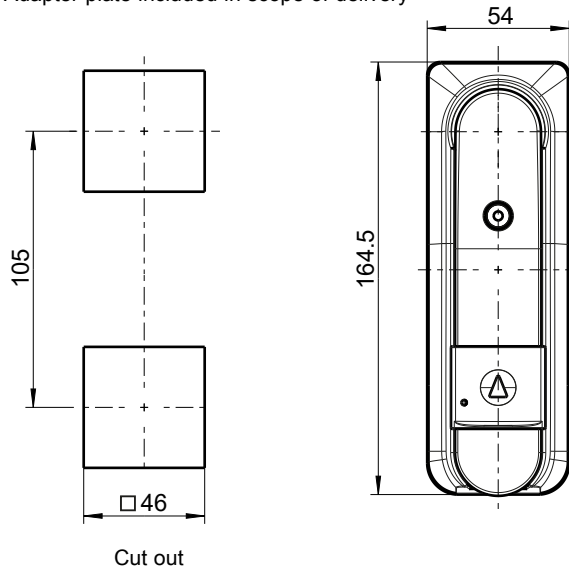
### Mechanical version:

**Profile half cylinder:** 40 mm and 45 mm; set locking cam at 6 or 7 o'clock. At 3 or 5 o'clock push-to-close is not possible.  
**Sealable:** Yes

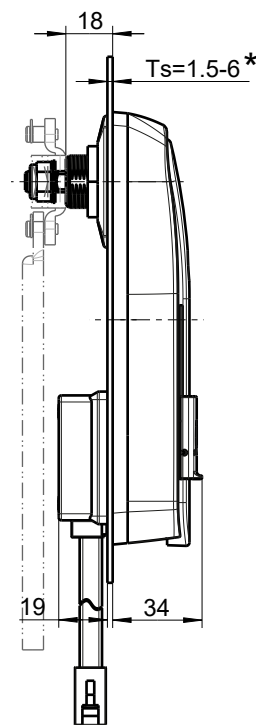
### Electromagnetic version (EL):

**Application range:** Indoor and outdoor from -30°C to +80°C  
**Connection type:** Plug RJ45 with connection cable (4 m)  
**Release:** By applying a 3 - 3.6 V DC signal  
**Wake-up function:** Yes, by push button  
**Display:** By LED  
**Remote monitoring:** Status indication via Reed contact  
**Closing:** Push the handle into the dish until the locking mechanism engages  
**Emergency opening:** Optional with 40 mm or 45 mm profile half cylinder

Adapter plate included in scope of delivery

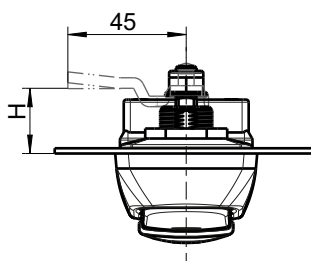


\* Ts > 6 mm - 8 mm on request



### Product benefits

- The swinghandle has successfully passed the test according to RC2 DIN EN 1630
- The IK 10 protection class test in accordance with DIN EN 50102 was successfully passed
- Integrated scratch protection prevents surface damage (handle / dish)




### Note:

Without profile half cylinder, opening is only possible by temporary key  
 1004-44-01AA

### Note:

If door gauge (Ts) > 6 mm standard round rods cannot be used!

\*\* In case of mechanical and the electromechanical version, only the profile half cylinder according to DIN EN 18252 and DIN EN 1303 can be used.

| RJ45 plug front view  | PIN | Assignment       | Wire colours |
|---|-----|------------------|--------------|
| <br>87654321 | 1   | Motor V +        | white        |
|   | 2   | V -              | brown        |
|   | 3   | LED V +          | green        |
|   | 4   | Reed contact     | yellow       |
|   | 5   | -                | grey         |
|   | 6   | Motor position 1 | pink         |
|   | 7   | Motor position 2 | blue         |
|   | 8   | Button           | red          |

The pins 4, 6, 7, 8 must be provided with a pull-up resistor, pin 5 can be provided with a pull-up resistor.

The motor must be directly controlled by a higher-level controller and can only be moved in one direction.  
 To set the lock in the required status (locked/unlocked), not only the motor must be controlled, but also the motor position switches must be interrogated and evaluated.  
 The following table serves to identify the corresponding status.

| Motor position 1 | Motor position 2 | Handle status |
|------------------|------------------|---------------|
| Logical 0        | Logical 1        | Locked        |
| Logical 1        | Logical 1        | Not defined   |
| Logical 1        | Logical 0        | Unlocked      |
| Logical 1        | Logical 1        | Not defined   |
| Logical 0        | Logical 1        | Locked        |

Whether the lever is open can be queried via Reed contact.  
 The button can be used for interaction in any form, just as the LED can be used for indication in any way.

Motor: 3.3 V DC, 48 mA (idle), max. 100 mA  
 LED: 3.3 V DC, 30 mA

**Swinghandle 'short'**  
 dish and handle zinc die grey powder-coated (RAL 7038);  
 shaft AISI 303;  
 cylinder cover polyamide black or grey (RAL 7038);  
 cap zinc die black powder-coated;  
 adapter plate polyamide GF black;  
 locking box ABS black;  
 locking pin AISI 303;  
 miniature push button with LED;  
 cam disk POM black;  
 clamp polyamide GF red (transport securing device);  
 assembly instruction; data sheet included for electromechanical version;  
 fixing material m.s. zinc-plated; with seal and spring

|  |              |
|--|--------------|
| Electromechanical version<br>optional for 40 and 45 mm profile half cylinder<br>with additional locking cam position 30° | 1317-U155-BO |
| Electromechanical version for type KABA 1514   | 1317-U156-BO |
| Mechanical version<br>for 40 and 45 mm profile half cylinder,<br>with additional locking cam position 30°                | 1317-U157-BO |
| Mechanical version for KABA cylinder type 1514   | 1317-U158-BO |
| <b>Building key polyamide black</b>  |              |
|  | 1004-44-01AA |



**Note:**  
 The electromechanical version is also available in 12 V DC on request.

**Further parts see page**  
 – Cam 3YC-120  
 – Rod control for cam 3YC-180  
 – \*\* Profile half cylinder 3XB-120

Info

1 Quarter turns

2 Rod controls

3 Locking systems

4 Hinges

5 Seals

6 Handles

7 Aluminium windows

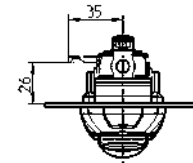
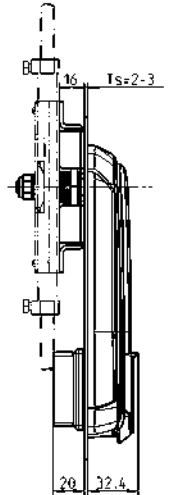
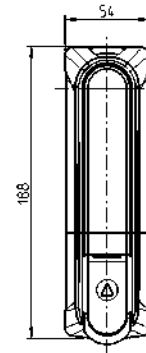
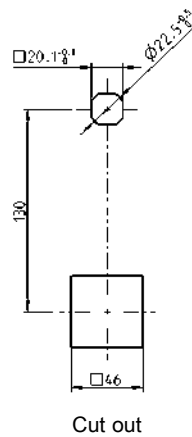
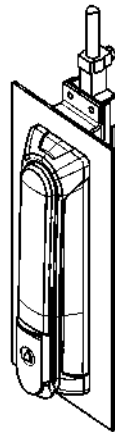
8 Miscellaneous

9 Special catalogues

Index



Swinghandle for rod control



Swinghandle 'long' with modular locking system  
handle and escutcheon polyamide GF black; cylinder cover polyamide GF black;  
shaft brass; cap polyamide GF V0 black;  
locking set for profile half cylinder; with seal

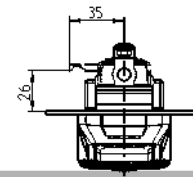
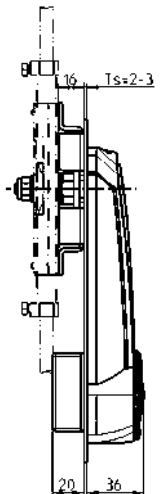
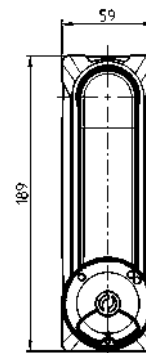
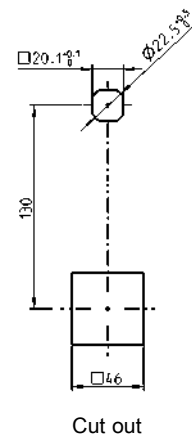
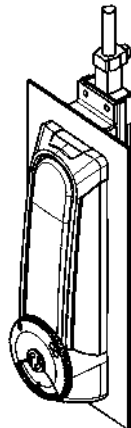
1317-U421-02

Support m.s. zinc-plated

1001-50



Double cylinder swinghandle for rod control



Swinghandle 'long'  
handle and dish polyamide GF black;  
cylinder cover zinc die black powder coated;  
shaft brass; cap polyamide GF V0 black;  
fixing material m.s. zinc die; with seal and spring

1317-U321-01

Support m.s. zinc-plated

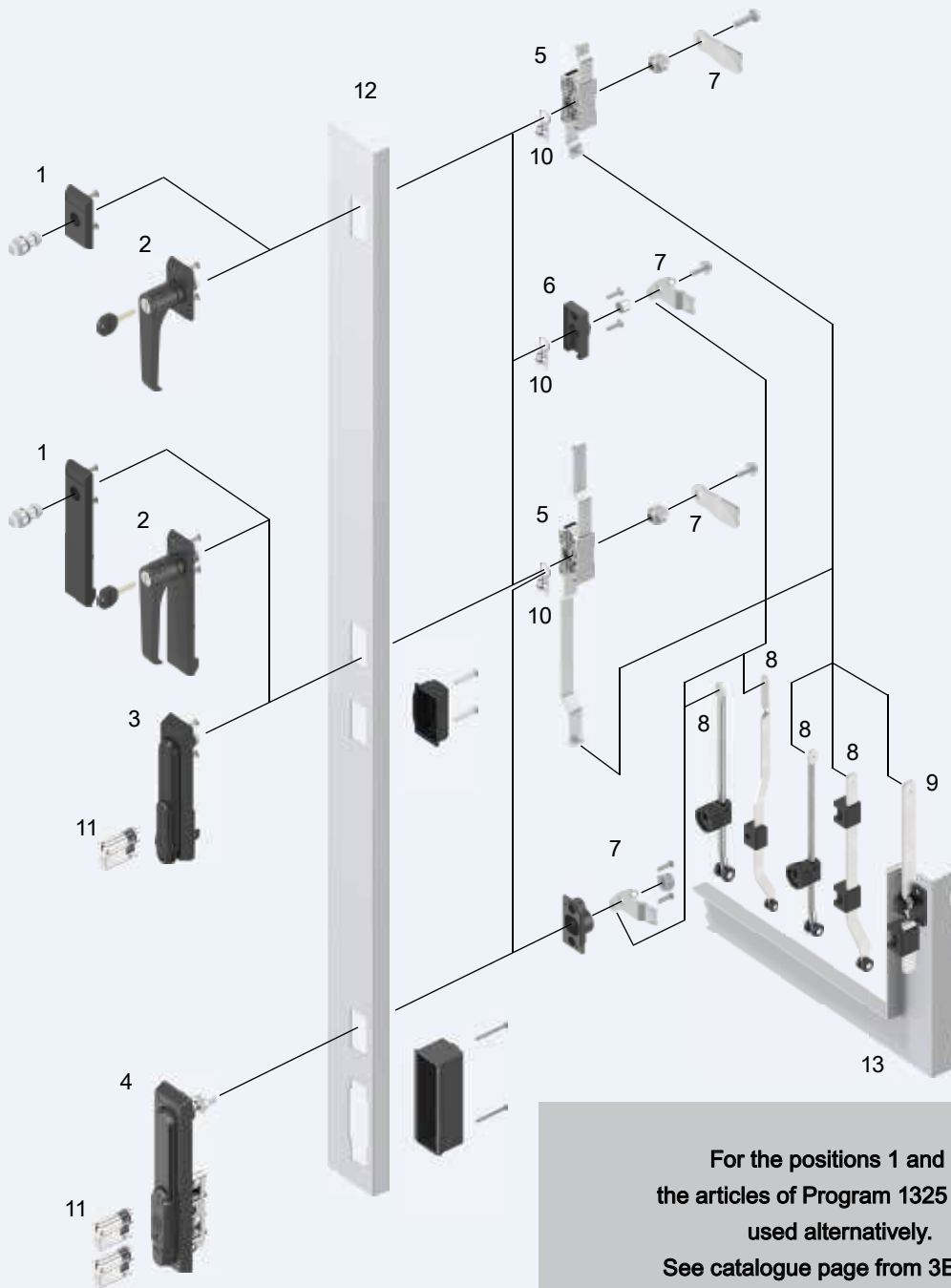
1001-50

Further parts see page

- Rod control 2B-130
- 2B-135
- Profile half cylinder 3XB-120
- Locking set 3XC-120

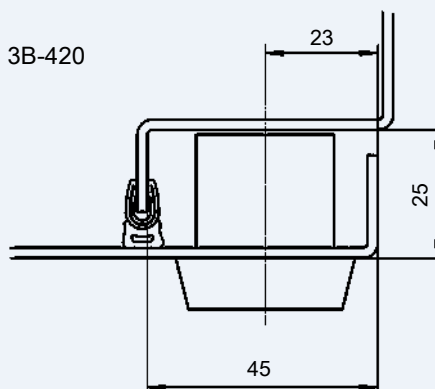
**3AB-220**

# Swinghandle and Escutcheon Program 1125



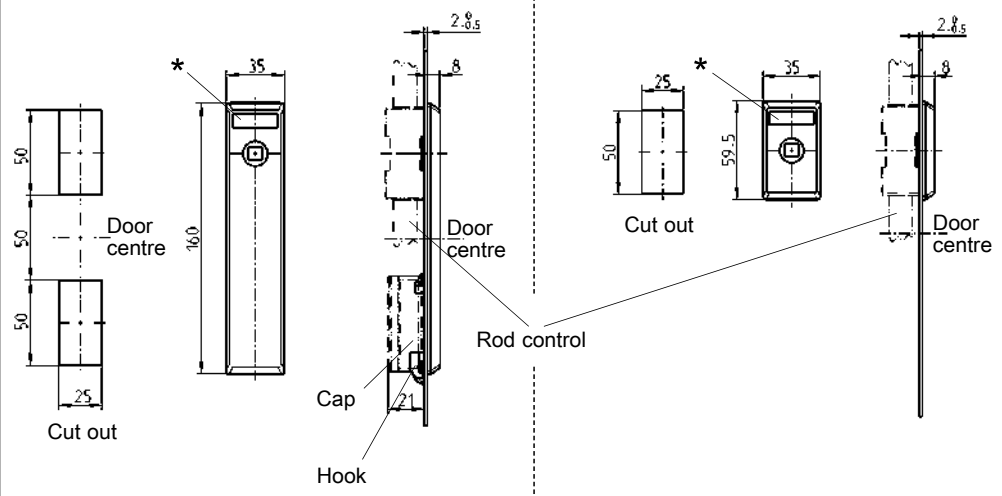
- 1 Escutcheon 1121 with insert
- 2 Escutcheon 1123 with handle
- 3 Swinghandle
- 4 Swinghandle (double cylinder)
- 5 Rod control
- 6 Bearing bush
- 7 Cam
- 8 Rod (inside the sealing)
- 9 Rod (outside the sealing)
- 10 Grounding device
- 11 Profile half cylinder
- 12 Door
- 13 Housing / Frame

- 3B-120
- 3B-180
- 3B-220, 3B-420
- 3B-320



## 3B-100

Info  
1 Quarter turns  
2 Rod controls  
3 Locking systems  
4 Hinges  
5 Seals  
6 Handles  
7 Aluminium windows  
8 Miscellaneous  
9 Special catalogues  
Index



| Escutcheon long material of choice, screws m.s. zinc-plated or stainless steel, with seal |                        |                   |                    | Escutcheon short material of choice, screws m.s. z.pl or stainless steel, with seal IP 65 |
|---|------------------------|-------------------|--------------------|---|
|   | Hook IP 40             | Clip-in cap IP 40 | Screw-on cap IP 65 |   |
| <b>Polyamide GF black</b>   |                        |                   |                    |   |
| for square, triangular Daimler Benz, slot   | 1121-U19-06            | 1121-U19-N6       | 1121-U133-06       | 1121-U22-06   |
| for double bit  | 1121-U20-06            | 1121-U20-N6       | 1121-U134-06       | 1121-U23-06   |
| for railway square 9  | 1121-U19A-06           | –                 | 1121-U135-06       | 1121-U22A-06  |
| for FIAT  | 1121-U63-06            | 1121-U63-N6       | 1121-U132-06       | 1121-U62-06   |
| <b>AISI 316</b>   |                        |                   |                    |   |
| for square, triangular Daimler Benz, slot   | –                      | –                 | 1121-U133-6PH      | 1121-U22-6PH  |
| Insert material of choice, fixing material m.s. zinc-plated or stainless steel            |                        |                   |                    |   |
|   | Zinc die chrome-plated |                   | AISI 316           |   |
| Square 6  | 1121-U11               |                   | on request         |   |
| Square 7  | 1121-U12               |                   | 1121-U12-PH        |   |
| Square 8  | 1121-U13               |                   | on request         |   |
| Triangular 6.5 CNOMO  | 1121-U169              |                   | on request         |   |
| Triangular 7  | 1121-U14               |                   | 1121-U14-PH        |   |
| Triangular 8  | 1121-U15               |                   | on request         |   |
| Double bit 3 **   | 1121-U16               |                   | 1121-U16-PH        |   |
| Double bit 5 **   | 1121-U17               |                   | 1121-U17-PH        |   |
| Square female 8   | 1121-U167              |                   | on request         |   |
| Daimler Benz  | 1121-U18               |                   | on request         |   |
| Slot 2 x 4  | 1121-U123              |                   | on request         |   |
| FIAT  | 1121-U24               |                   | on request         |   |
| Railway square 9  | 1121-U72               |                   | on request         |   |

\* Logo recess: 27 x 8 x 0.5  
Multicolour pad print possible

\*\* made of polyamide on request

**Further parts see page**

- Key 8B-120
- Rod control for long version 3YA-110, 3YA-120, 3YA-140, (only with hook) 3YA-190, 3YA-115, 3YA-160
- Bearing bush 3YB-120

#### Accessories



Transport safety device polyamide GF black for insert double bit

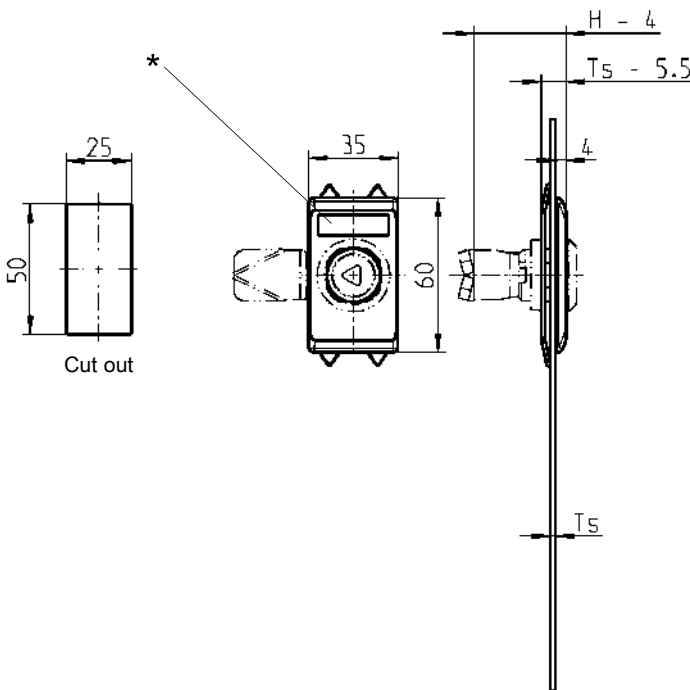
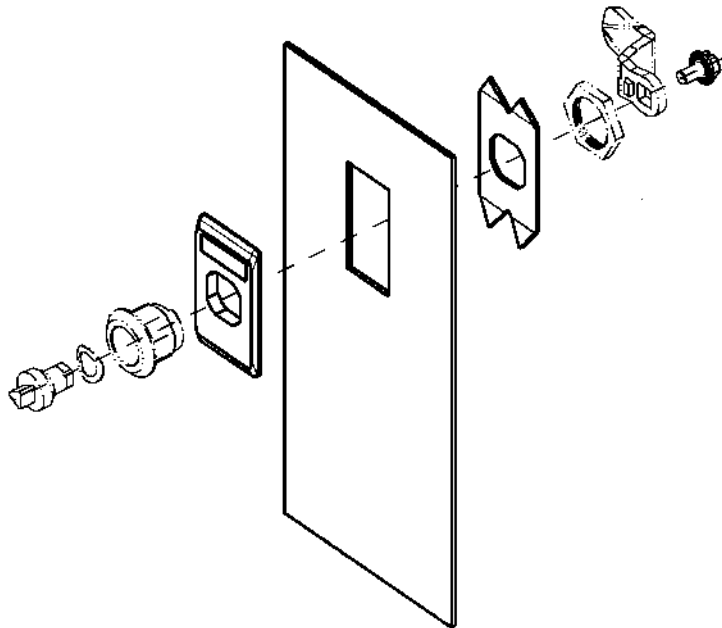
1121-32



# Escutcheon for quarter turn, Program 1000

## PROGRAM 1125

### Beschlagteile



\* Logo recess: 27 x 8 x 0.5  
Multicolour pad print possible

**Attention:**  
Dimension H of the cam reduces by 4 mm, dimension Ts of the housings by 5.5 mm

**Note:**  
IP 65 achieved by quarter turn with with protection class IP 65

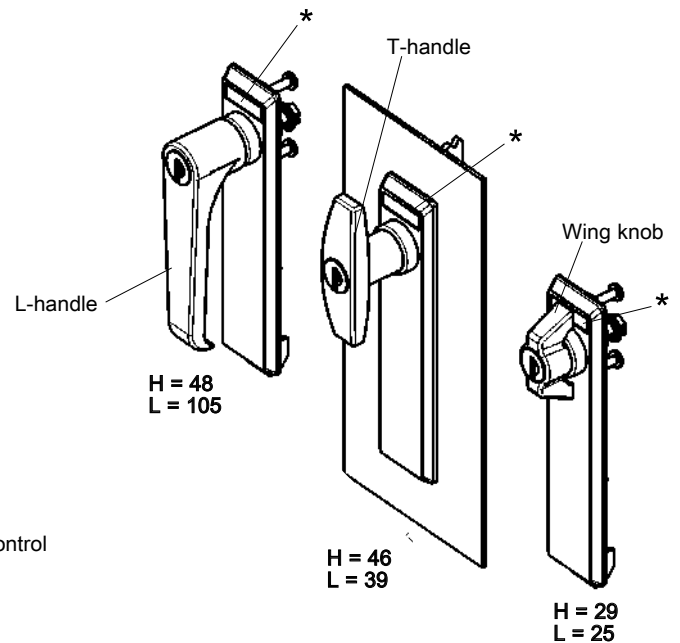
**Further parts see page**  
– Quarter turns  
1B-120  
1B-140  
1B-210  
up to 1B-320  
1B-360  
up to 1B-620  
1B-680  
1B-860

Escutcheon polyamide black, earthing plate m.s. zinc-plated, with seal

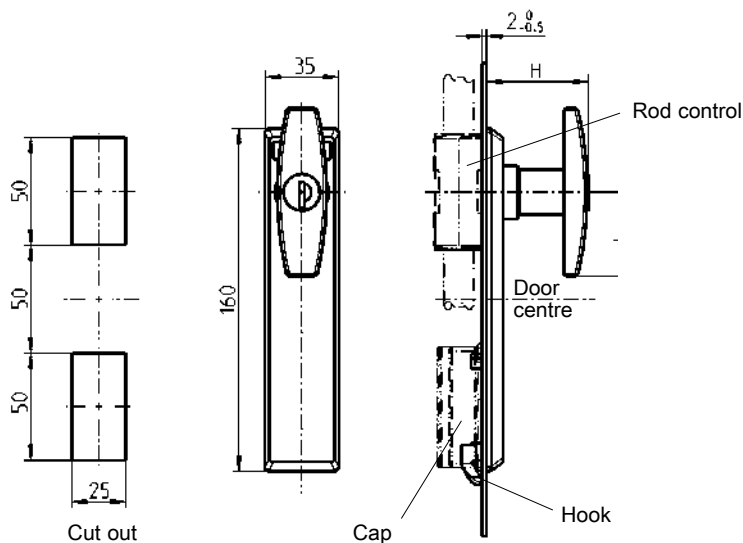
1121-U168

## Escutcheon 1123 with handle

## PROGRAM 1125



## Escutcheon long



Each round cylinder has one silver steel key with grip polyamide GF black

Escutcheon long polyamide GF black, fixing material m.s. zinc-pl. or stainless steel, with seal

|  | Hook<br>IP 40 | Clip-in cap<br>IP 40 | Screw-on cap<br>IP 65 |
|--|---------------|----------------------|-----------------------|
|--|---------------|----------------------|-----------------------|

## Wing knob zinc die black powder-coated

|                 |            |            |             |
|-----------------|------------|------------|-------------|
| non locking     | 1123-U1-06 | 1123-U1-N6 | 1123-U25-06 |
| keyed EK 333    | 1123-U2-06 | 1123-U2-N6 | 1123-U26-06 |
| keyed different | 1123-U3-06 | 1123-U3-N6 | 1123-U27-06 |

## Wing knob AISI 316

|             |             |             |             |
|-------------|-------------|-------------|-------------|
| non locking | 1123-U41-06 | 1123-U41-N6 | 1123-U42-06 |
|-------------|-------------|-------------|-------------|

## T-Handle zinc die black powder-coated

|                        |             |            |             |
|------------------------|-------------|------------|-------------|
| non locking            | 1123-U7-06  | 1123-U7-N6 | 1123-U28-06 |
| keyed EK 333           | 1123-U8-06  | 1123-U8-N6 | 1123-U29-06 |
| keyed different        | 1123-U9-06  | 1123-U9-N6 | 1123-U30-06 |
| prepared for KABA 1036 | 1123-U21-06 | —          | —           |

## T-handle AISI 316

|             |             |             |             |
|-------------|-------------|-------------|-------------|
| non locking | 1123-U38-06 | 1123-U38-N6 | 1123-U39-06 |
|-------------|-------------|-------------|-------------|

## L-handle zinc die black powder-coated

|                        |             |             |             |
|------------------------|-------------|-------------|-------------|
| non locking            | 1123-U13-06 | 1123-U13-N6 | 1123-U31-06 |
| keyed EK 333           | 1123-U14-06 | 1123-U14-N6 | 1123-U32-06 |
| keyed different        | 1123-U15-06 | 1123-U15-N6 | 1123-U33-06 |
| prepared for KABA 1036 | 1123-U19-06 | —           | —           |

## L-handle AISI 316

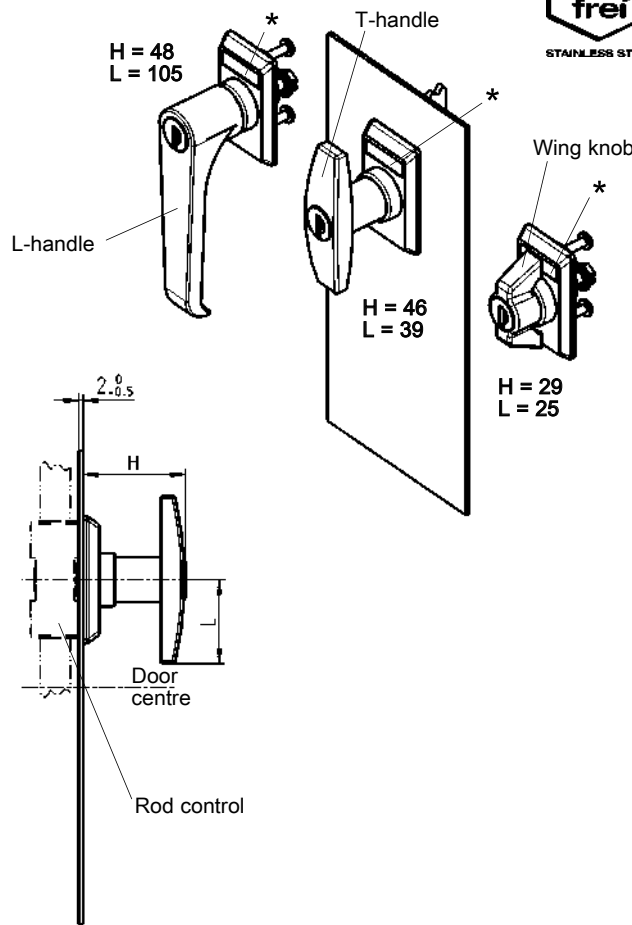
|             |             |             |             |
|-------------|-------------|-------------|-------------|
| non locking | 1123-U34-06 | 1123-U34-N6 | 1123-U35-06 |
|-------------|-------------|-------------|-------------|



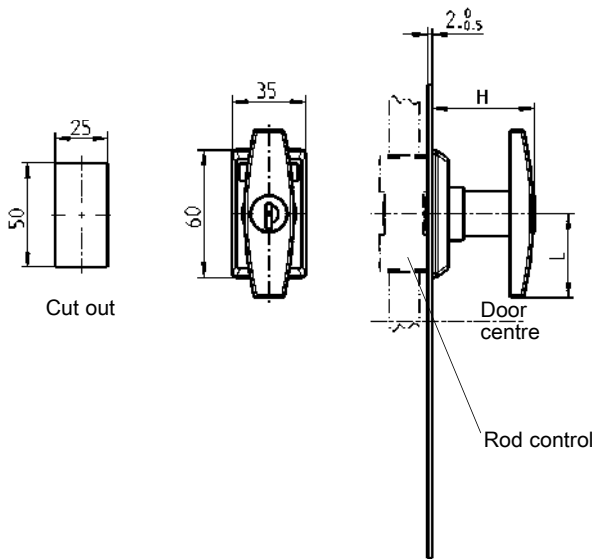
\* Logo recess: 27 x 8 x 0.5  
Multicolour pad print possible

**Further parts see page**

- Key 8B-120
- Spare key 8B-140
- Rod control for long version 3YA-110
- 3YA-120
- 3YA-140
- (only with hook) 3YA-190
- Short version 3YA-115
- 3YA-160
- Bearing bush 3YB-120
- Dust cap for T-handle 1C-340



**Escutcheon short**



|   |             |
|---|-------------|
| <b>Escutcheon short polyamide GF black, fixing material m.s. zinc-pl. or stainless steel, with seal IP 65</b> |             |
| <b>Wing knob zinc die black powder-coated</b>   |             |
| non locking   | 1123-U4-06  |
| keyed EK 333  | 1123-U5-06  |
| keyed different   | 1123-U6-06  |
| <b>Wing knob AISI 316</b>   |             |
| non locking   | 1123-U40-06 |
| <b>T-Handle zinc die black powder-coated</b>  |             |
| non locking   | 1123-U10-06 |
| keyed EK 333  | 1123-U11-06 |
| keyed different   | 1123-U12-06 |
| prepared for KABA 1036  | 1123-U22-06 |
| <b>T-handle AISI 316</b>  |             |
| non locking   | 1123-U37-06 |
| <b>L-handle zinc die black powder-coated</b>  |             |
| non locking   | 1123-U16-06 |
| keyed EK 333  | 1123-U17-06 |
| keyed different   | 1123-U18-06 |
| prepared for KABA 1036  | 1123-U20-06 |
| <b>L-handle AISI 316</b>  |             |
| non locking   | 1123-U36-06 |

## Swinghandle

## PROGRAM 1125

Example:

<sup>3)</sup> (21/26 mm)

**Swinghandle for profile half cylinder polyamide GF black, shaft zinc die zinc-plated, fixing material m.s. zinc-plated, with seal**

|  | Clip-in cap IP 40                   |                           | Screw-on cap IP 65     |                           | Hook IP 40             |                           |
|--|-------------------------------------|---------------------------|------------------------|---------------------------|------------------------|---------------------------|
|  | with<br>Cylinder cover              | without<br>Cylinder cover | with<br>Cylinder cover | without<br>Cylinder cover | with<br>Cylinder cover | without<br>Cylinder cover |
| for half cylinder 40 mm <sup>3)</sup> (21) | 1125-U191-NA                        | 1125-U190-NA              | 1125-U191-A            | 1125-U190-A               | 1125-U186-A            | 1125-U185-A               |
| for half cylinder 45 mm <sup>3)</sup> (26) | 1125-U196-NA                        | 1125-U195-NA              | 1125-U196-A            | 1125-U195-A               | 1125-U194-A            | 1125-U193-A               |
| Insert for padlock                         | (only with swinghandle 1125-U190-A) |                           |                        | 1125-73                   | -                      | -                         |
| with cylinder (Berlin version)             | -                                   | -                         | -                      | -                         | 1125-U276-A            | 1125-U275-A               |
| for ASSA cylinder                          | -                                   | -                         | 1125-U198-A            | -                         | -                      | -                         |

**Swinghandle for profile half cylinder zinc die black powder-coated, cap polyamide black, with seal**

|  |   |   |               |            |   |   |
|--|---|---|---------------|------------|---|---|
| for half cylinder 40 mm <sup>3)</sup> (21) | - | - | 1125-U191-AQA | on request | - | - |
|--|---|---|---------------|------------|---|---|

**Swinghandle for profile half cylinder AISI 316, shaft AISI 303, cap polyamide black, with seal (IP 66)**

|  |   |   |               |            |   |   |
|--|---|---|---------------|------------|---|---|
| for half cylinder 40 mm <sup>3)</sup> (21) | - | - | 1125-U191-APH | on request | - | - |
|--|---|---|---------------|------------|---|---|

**Swinghandle polyamide GF black with insert double bit, zinc die chrome-plated, shaft zinc die zinc-plated, fixing material m.s. zinc-plated, with seal**

|   | Clip-in cap<br>IP 40 | Screw-on cap<br>IP 65 |
|---|----------------------|-----------------------|
| Double bit 3 (key 1004-05) <sup>1) 2)</sup> | 1125-U236-NA         | 1125-U236-A           |
| Double bit 5 (key 1004-06) <sup>1) 2)</sup> | 1125-U239-NA         | 1125-U239-A           |

**Swinghandle polyamide GF black, with round cylinder incl. stainless steel cap and dust cap or insert m.s. zinc-plated, shaft zinc die chrome-plated, fixing material m.s. zinc plated, with seal. Each round cylinder has one silver steel key with grip polyamide GF black**

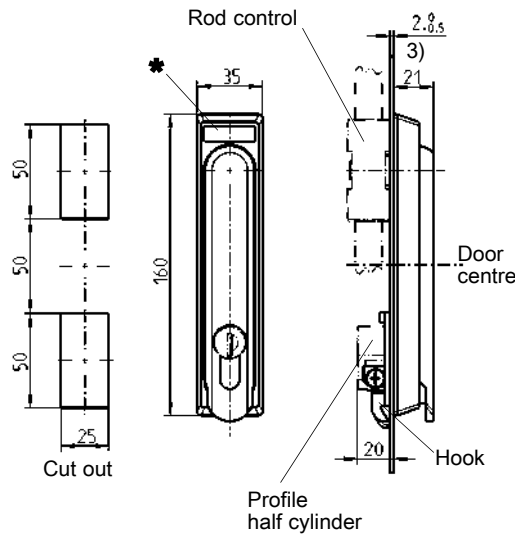
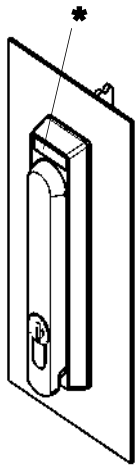
|                                | Clip-in cap IP 40      |                           | Screw-on cap IP 65     |                           | Hook IP 40                |
|--------------------------------|------------------------|---------------------------|------------------------|---------------------------|---------------------------|
|                                | with<br>Cylinder cover | without<br>Cylinder cover | with<br>Cylinder cover | without<br>Cylinder cover | without<br>Cylinder cover |
| Round cylinder keyed EK 333    | 1125-U206-NA           | 1125-U202-NA              | 1125-U206-A            | 1125-U202-A               | 1125-U268-A               |
| Round cylinder keyed different | 1125-U207-NA           | 1125-U203-NA              | 1125-U207-A            | 1125-U203-A               | 1125-U269-A               |

|                           |              |              |             |             |            |
|---------------------------|--------------|--------------|-------------|-------------|------------|
| Square 6 <sup>1)</sup>    | 1125-U242-NA | 1125-U210-NA | 1125-U242-A | 1125-U210-A | on request |
| Square 7 <sup>1) 2)</sup> | 1125-U243-NA | 1125-U211-NA | 1125-U243-A | 1125-U211-A | on request |
| Square 8 <sup>1) 2)</sup> | 1125-U244-NA | 1125-U212-NA | 1125-U244-A | 1125-U212-A | on request |
| Square 8 slotted          | 1125-U245-NA | 1125-U213-NA | 1125-U245-A | 1125-U213-A | on request |

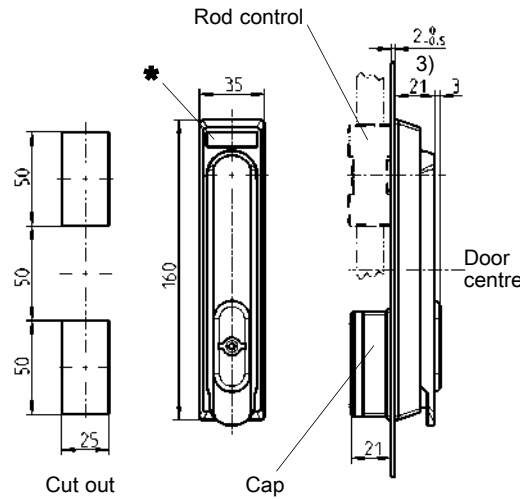
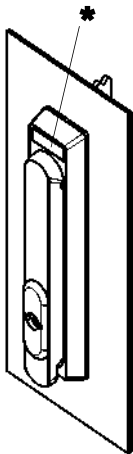
|                               |              |              |             |             |            |
|-------------------------------|--------------|--------------|-------------|-------------|------------|
| Triangular 6.5 CNOMO          | 1125-U246-NA | 1125-U214-NA | 1125-U246-A | 1125-U214-A | on request |
| Triangular 7 <sup>1)</sup>    | 1125-U247-NA | 1125-U215-NA | 1125-U247-A | 1125-U215-A | on request |
| Triangular 8 <sup>1) 2)</sup> | 1125-U248-NA | 1125-U216-NA | 1125-U248-A | 1125-U216-A | on request |
| Triangular 9                  | 1125-U249-NA | 1125-U217-NA | 1125-U249-A | 1125-U217-A | on request |
| Triangular 10                 | 1125-U250-NA | 1125-U218-NA | 1125-U250-A | 1125-U218-A | on request |
| Hexagon female SW 10          | 1125-U251-NA | 1125-U219-NA | 1125-U251-A | 1125-U219-A | on request |

|                                |              |              |             |             |            |
|--------------------------------|--------------|--------------|-------------|-------------|------------|
| Square female 6                | 1125-U252-NA | 1125-U220-NA | 1125-U252-A | 1125-U220-A | on request |
| Square female 8                | 1125-U253-NA | 1125-U221-NA | 1125-U253-A | 1125-U221-A | on request |
| Daimler Benz                   | 1125-U254-NA | 1125-U222-NA | 1125-U254-A | 1125-U222-A | on request |
| Slot 1.2 x 3                   | 1125-U255-NA | 1125-U223-NA | 1125-U255-A | 1125-U223-A | on request |
| Slot 2 x 4 <sup>1) 2)</sup>    | 1125-U256-NA | 1125-U224-NA | 1125-U256-A | 1125-U224-A | on request |
| Crown type                     | 1125-U257-NA | 1125-U225-NA | 1125-U257-A | 1125-U225-A | on request |
| Eastern Europe Ø 13 half-round | 1125-U282-NA | 1125-U283-NA | 1125-U282-A | 1125-U283-A | on request |

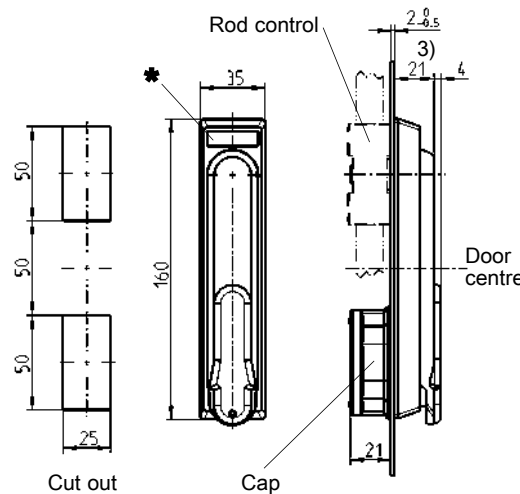
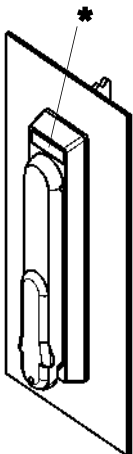
### Swinghandle for profile half cylinder



### Swinghandle with double bit



### Swinghandle with round cylinder or insert



\* Logo recess: 27 x 8 x 0.5  
Multicolour pad print possible

#### Further parts see page

- Key 8B-120
- Rod control 3YA-110
- 3YA-120
- 3YA-140
- (only with hook) 3YA-190
- Bearing bush 3YB-120
- Profile half cylinder 3XB-120

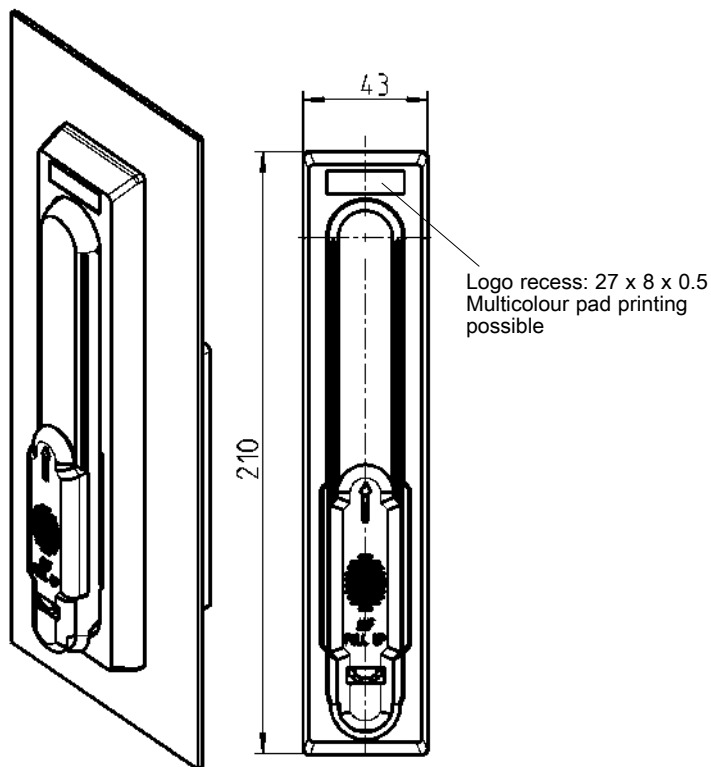
#### On request insert in

- <sup>1)</sup> Zinc die black powder-coated
- <sup>2)</sup> Polyamide black
- Cap without foamed seal for small bending area on request
- EMC version

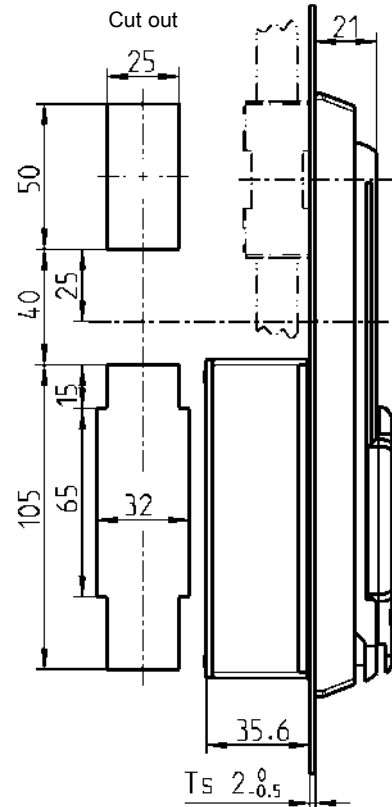
# Swinghandle

## PROGRAM 1125

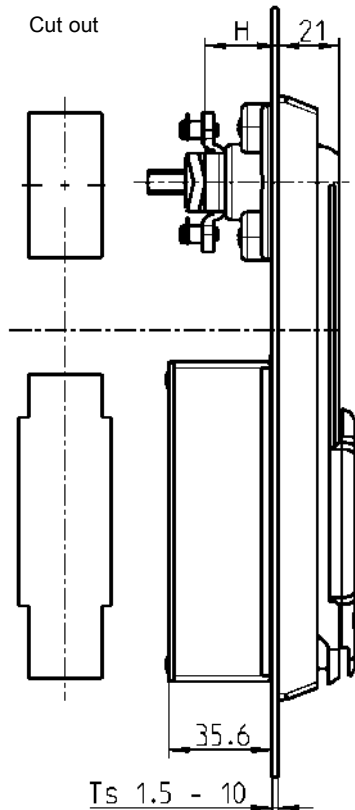
### Double and single profile half cylinder swinghandle



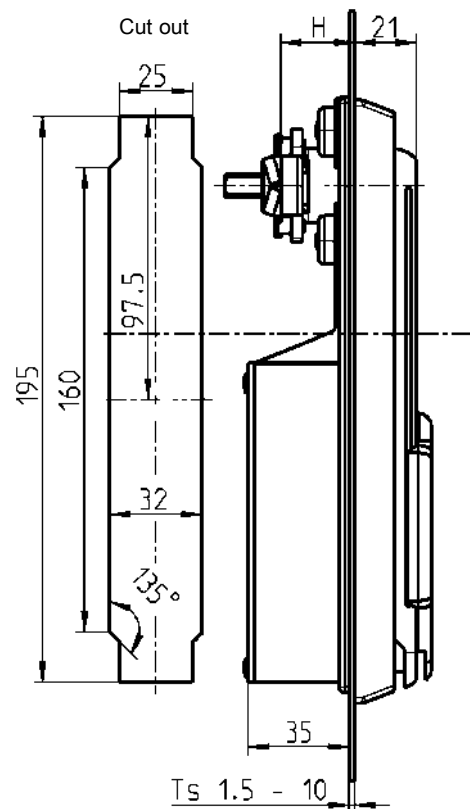
Version A

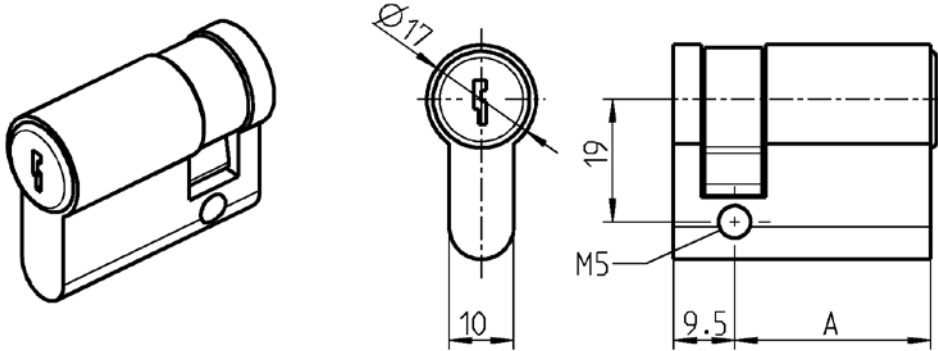


Version B

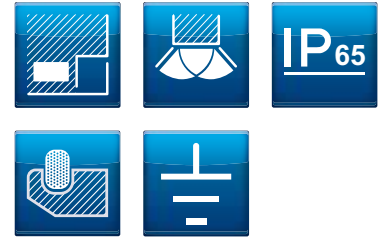


Version C





Double and single profile half cylinder swinghandle suitable for profile half cylinder with A = 30 and 35



Earthing possible with version A!



Swinghandle for profile half cylinder polyamide GF black, shaft brass, lock zinc die, spring spring steel zinc-plated. fixing material m.s. zinc-plated or stainless steel, with seal

**Version A for rod control**

|   |            |
|---|------------|
| Double cylinder swinghandle with one-key operation, key always removable                    | 1125-U51-A |
| Single cylinder swinghandle, key always removable   | 1125-U55-A |
| Double cylinder swinghandle with one-key operation, key removable when the handle is put in | 1125-U53-A |

**Version B with bearing bush**

|   |            |
|---|------------|
| Double cylinder swinghandle with one-key operation, key always removable                    | 1125-U57-A |
| Single cylinder swinghandle, key always removable   | 1125-U58-A |
| Double cylinder swinghandle with one-key operation, key removable when the handle is put in | 1125-U56-A |
| Double cylinder swinghandle with 2-key operation, key removable when the handle is put in   | 1125-U289  |

**Version C with bearing bush**

|   |            |
|---|------------|
| Double cylinder swinghandle with one-key operation, key always removable                    | 1125-U60-A |
| Single cylinder swinghandle, key always removable   | 1125-U61-A |
| Double cylinder swinghandle with one-key operation, key removable when the handle is put in | 1125-U59-A |

**1-key operation**

Handle can be opened when one cylinder is unlocked. Removability of the key according to choice of the version.

**2-key operation**

The handle can only be opened when both cylinders are unlocked. The keys are only removable when the handle is put in.

**The 2-key operation is set as RH version. For profile half cylinder A = 30.**

**Further parts see page**

|   |                    |
|---|--------------------|
| – Rod control for version A             | 3YA-220<br>3YA-240 |
| – Cam for version B                     | 3YC-120            |
| – Rod control for cam for version B     | 3YC-180            |
| – Cam for version C (H = 25 for Ts = 2) | 3YC-140            |
| – Profile half cylinder                 | 3XB-220            |

### Swinghandle PROGRAM 1125

Info

1 Quarter turns



2 Rod controls



3 Locking systems



4 Hinges



5 Seals

**Further parts see page**

- Bearing bush 3YB-120
- Rod control 3YA-110
- 3YA-120
- 3YA-140
- Profile half cylinder 3XB-120

\* Logo recess: 27 x 8 x 0.5  
Multicolour pad print possible

6 Handles



7 Aluminium windows

8 Miscellaneous

**Note:**  
Swinghandle for CNOMO can only be used outside the sealing!

9 Special catalogues

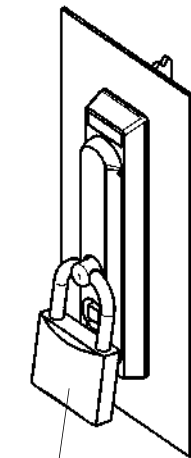
**Further parts see page**

- Rod control 3YA-110
- 3YA-120
- Profile half cylinder 3XB-120

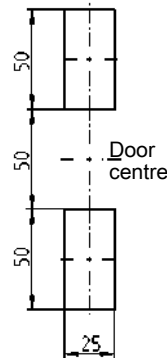
Index

**3B-420 11/15**  
(3J-260)

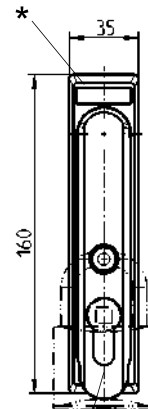
#### Swinghandle for padlock



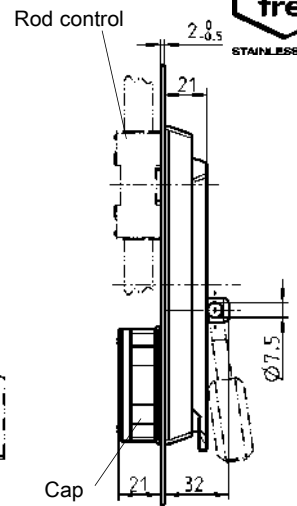
Padlock



Cut out



Profile half cylinder



Cap



Swinghandle for profile half cylinder 40 mm polyamide GF black; shaft zinc die zinc-plated; padlock shackle AISI 303; fixing material m.s. zinc-plated; with seal

1125-U184-A

Swinghandle for profile half cylinder 40 mm AISI 316; shaft and padlock shackle AISI 303; cap polyamide black, with seal

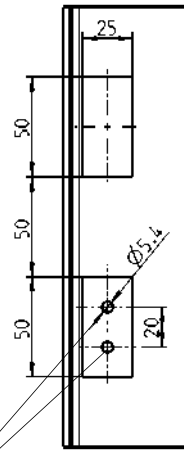
1125-U184-APH

**Version Ford achieved with**

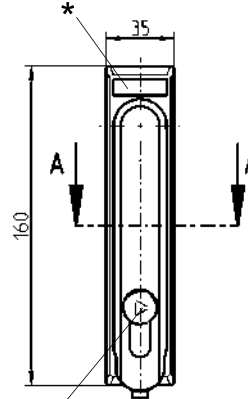
Profile half cylinder (square 7)

1109-U5-N

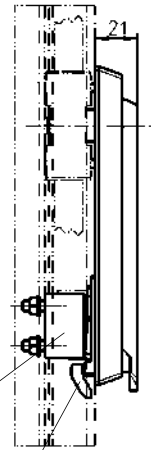
#### Swinghandle for CNOMO



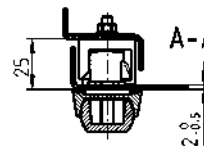
Cut out



Catch



Hook



Bore holes symmetrical to cut out of swinghandle

CNOMO standard type 1 realised by snap cylinder (triangular 6.5) 1109-U17-NC

Handle is spring-loaded and can only be locked if the door is completely closed.

Swinghandle for profile half cylinder 40 mm polyamide GF black; catch and shaft zinc die zinc-plated; fixing m.s. zinc-plated

without cylinder cover

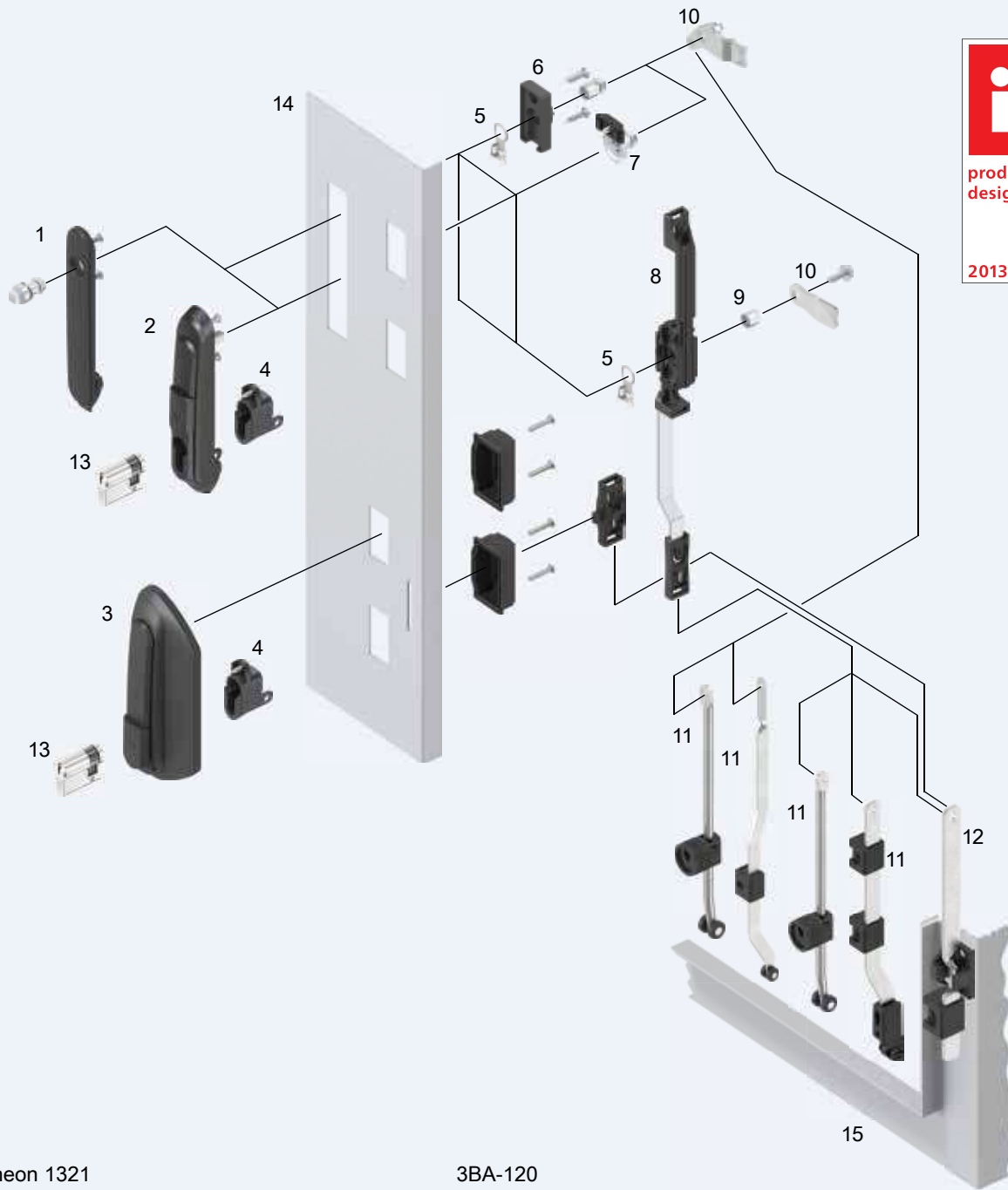
1125-U200-A

with cylinder cover

1125-U201-A

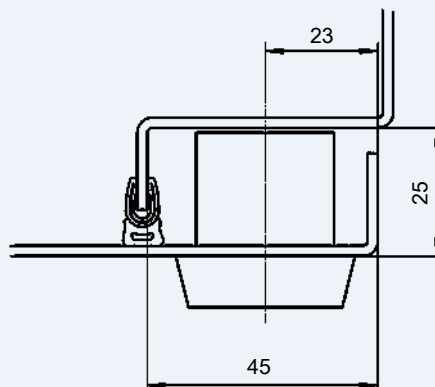


# Swinghandle and Escutcheon Program 1325



- 1 Escutcheon 1321
- 2 Swinghandle
- 3 Swinghandle for narrow bending area
- 4 Locking set
- 5 Grounding device
- 6 Bearing bush for escutcheon
- 7 Adapter for swinghandle
- 8 Rod control
- 9 Adapter
- 10 Cam
- 11 Rod (inside the sealing)
- 12 Rod (outside the sealing)
- 13 Locking set, e.g. profile half cylinder
- 14 Door
- 15 Housing / Frame

- 3BA-120
- 3BA-220
- 3BA-320



## 3BA-100

Info

1 Quarter turns



2 Rod controls



3 Locking systems



4 Hinges

5 Seals

6 Handles

7 Aluminium windows

8 Miscellaneous

9 Special catalogues

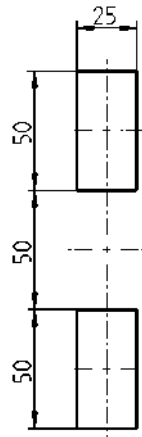
Index

Multicolour pad printing possible

**Further parts see page**

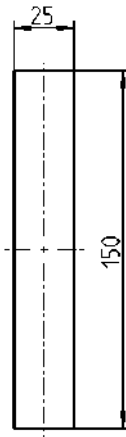
- Key 8B-120
- Rod control 3YA-110
- 3YA-120
- 3YA-140
- (only with hook and cut out version A) 3YA-190
- Bearing bush 3YB-120

Version A

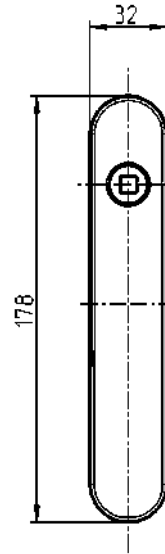


Cut out

Version B

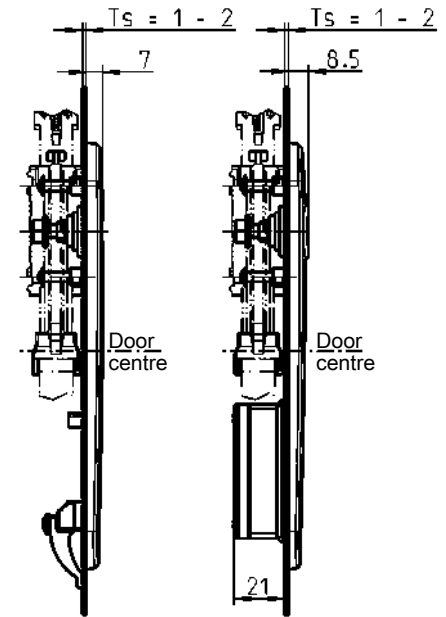


Cut out



for square, triangular, Daimler Benz, slot

for double bit



Examples of combinations

**Escutcheon polyamide GF black;  
hook or cap polyamide GF black; screws zinc-plated**

|  | Hook; IP 40 | Cap; IP 65 with cut out version A |
|--|-------------|-----------------------------------|
| for square, triangular, Daimler Benz, slot                             | 1321-U1     | 1321-U3                           |
| for double bit   | 1321-U2     | 1321-U4                           |
| for railway square 9   | on request  | on request                        |
| for FIAT   | on request  | on request                        |
| <b>Insert zinc die chrome-plated; fixing material m.s. zinc-plated</b> |             |                                   |
| Square 6   |             | 1121-U11                          |
| Square 7   |             | 1121-U12                          |
| Square 8   |             | 1121-U13                          |
| Triangular 6.5 CNOMO   |             | 1121-U169                         |
| Triangular 7   |             | 1121-U14                          |
| Triangular 8   |             | 1121-U15                          |
| Double bit 3   |             | 1121-U16                          |
| Double bit 5   |             | 1121-U17                          |
| Square female 8  |             | 1121-U167                         |
| Daimler Benz   |             | 1121-U18                          |
| Slot 2 x 4   |             | 1121-U123                         |
| FIAT   |             | 1121-U24                          |
| Railway square 9   |             | 1121-U72                          |

**Accessories**



Transport safety device polyamide GF black for insert double bit

1121-32

# Swinghandle short with variable use of locking sets

PROGRAM 1325



1 Quarter turns

2 Rod controls

3 Locking systems

4 Hinges

5 Seals

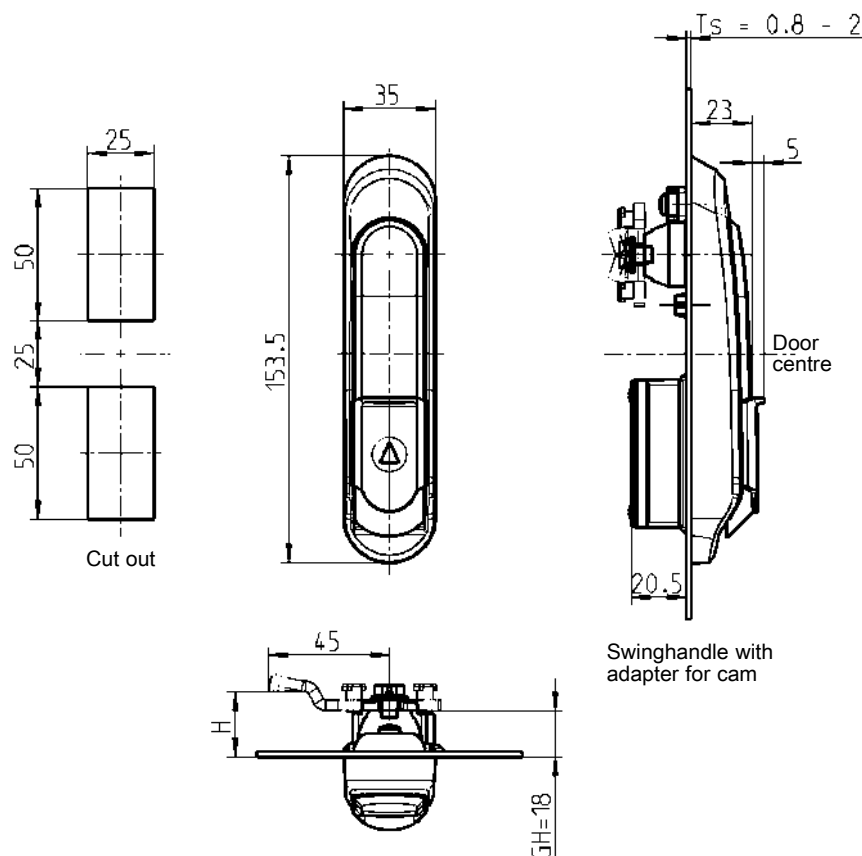
6 Handles

7 Aluminium windows

8 Miscellaneous

9 Special catalogues

Index



Swinghandle with adapter for cam



Adapter for cam 1325-U101, order separately

### Product benefits

- Flat design (23 mm + 5 mm dust protection slider)
- Pre-assembled swinghandle and dish
- Easy exchangeable locking unit inserts (locking sets)
- Spring-mounted handle
- Plastic parts protruding into the cabinet are of low flammability (PA 6 GF 30 V0)
- Patented

Rod control on request

**Swinghandle**  
handle and escutcheon polyamide GF black;  
cylinder cover polyamide GF black; shaft zinc die zinc plated;  
circlip m.s. zinc plated; cap polyamide GF black;  
fixing material m.s. zinc plated;  
with spring and seal

|  |                     |
|--|---------------------|
| (Please order locking set separately)  | without locking set |
| Swinghandle with cap; IP 65  | 1325-U22            |
| <b>Adapter for cam PBT GF V0 black; bridge bar polyamide GF V0 black; fixing material m.s. zinc-plated</b> |                     |
|  | 1325-U101           |

Multicolour pad printing possible

Swinghandle without cylinder cover on request

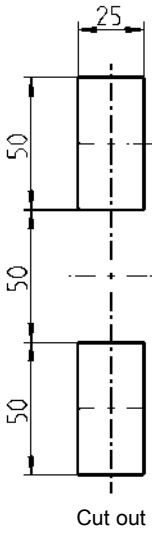
### Further parts see page

- Locking set 3XC-120
- Cams (for adapter) 3YC-120
- Rod control on request
- Cam for rod control (2-point latch system) 3YA-840

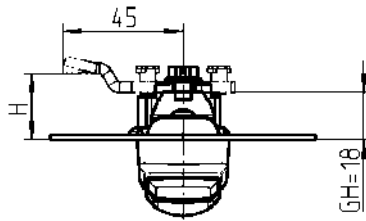
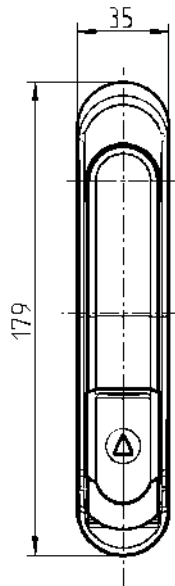
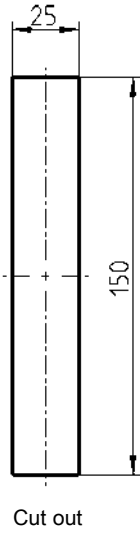
# Swinghandle with variable use of locking sets

## PROGRAM 1325

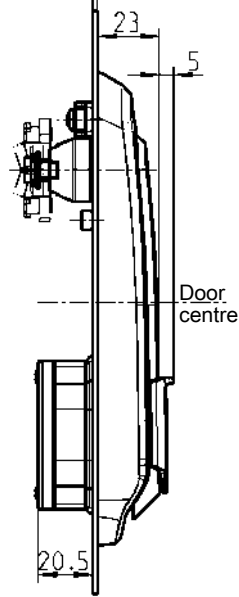
Version A



Version B

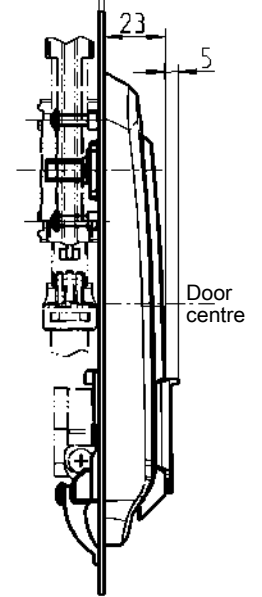


$T_s = 0.8 - 2$



Swinghandle with cap and adapter for cam

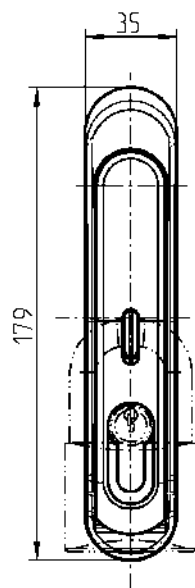
$T_s = 0.8 - 2$



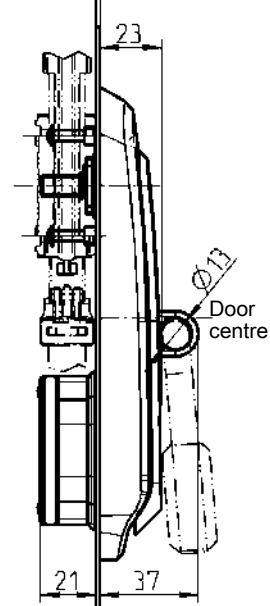
Swinghandle with hook for rod control

Examples of combinations

Adapter for cam 1325-U101, order separately



$T_s = 0.8 - 2$



Swinghandle with cap and for padlock and for rod control



### Module for different locking sets



### Product benefits

- Flat design (23 mm + 5 mm dust protection slider)
- IP 65 when fixed with cap, IP 40 when fixed with hook
- For standard cut out
- Pre-assembled swinghandle and dish
- Easy exchangeable locking unit inserts (locking sets)
- Spring-mounted handle
- Plastic parts protruding into the cabinet are of low flammability (PA 6 GF 30 V0)
- Patented

**Swinghandle for rod control**  
**handle and dish polyamide GF black;**  
**cylinder cover polyamide GF black (not for swinghandle for padlock);**  
**shaft zinc die zinc-plated; circlip m.s. zinc-plated;**  
**hook or cap polyamide GF black; padlock device AISI 316;**  
**fixing material m.s. zinc-plated; with spring and seal**

<sup>(1)</sup> (Please order locking set separately)

<sup>(2)</sup> (with cut out version A)

<sup>(3)</sup> (In case of profile half cylinder the locking cam must be set to 90°)

|  | without locking set <sup>(1)</sup> | with locking set for profile half cylinder 40 mm (A = 30 mm) <sup>(3)</sup> |
|--|------------------------------------|---|
| Swinghandle with hook; IP 40                               | 1325-U1                            | 1325-U1-01  |
| Swinghandle with cap; IP 65 <sup>(2)</sup>                 | 1325-U2                            | 1325-U2-01  |
| Swinghandle with hook and for padlock; IP 40               | 1325-U3                            | 1325-U3-01  |
| Swinghandle with cap and for padlock; IP 65 <sup>(2)</sup> | 1325-U4                            | 1325-U4-01  |

**Adapter for cam PBT GF V0 black; bridge bar polyamide GF V0 black;**  
**fixing material m.s. zinc-plated**

1325-U101

Multicolour pad printing possible

Swinghandle without cylinder cover on request

### Further parts see page

– Profile half cylinder 3XB-120  
 (Blind plug without spring-loaded ball not usable)

– Locking set 3XC-120  
 – Cams (for adapter) 3YC-120  
 – Rod control 3YA-110

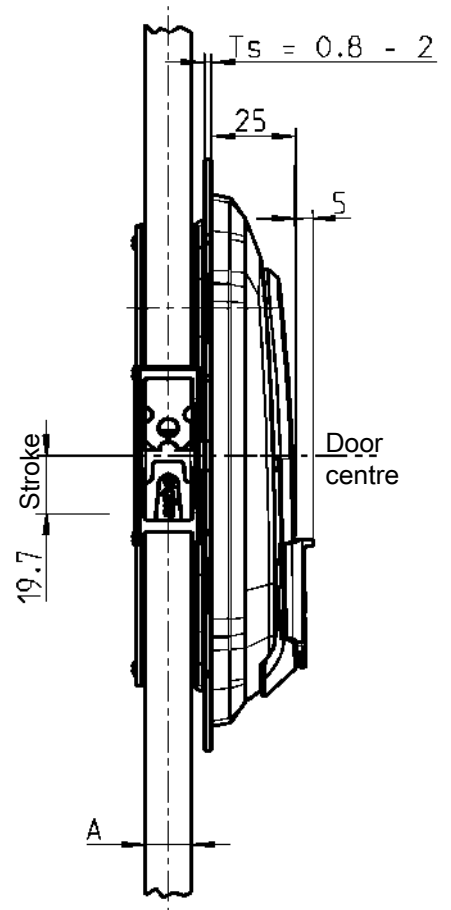
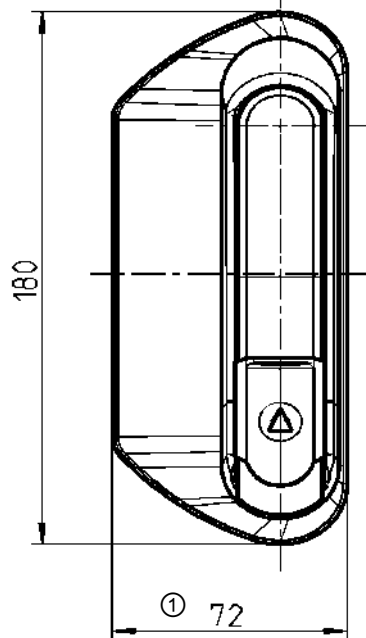
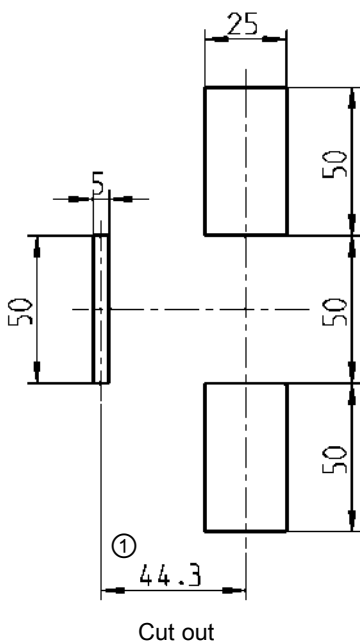
3YA-120  
 3YA-140  
 (only with hook and cut out version A) 3YA-190

– Cam for rod control (3-point latch system) 3YA-840

# Swinghandle with variable use of locking sets for small bending area

PROGRAM 1325

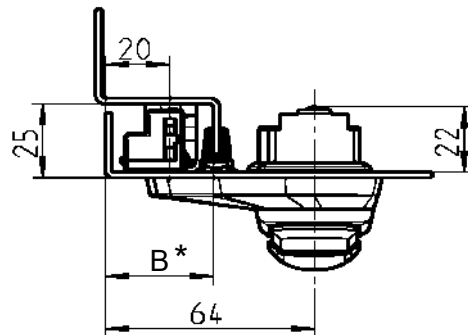
Info  
1 Quarter turns  
2 Rod controls  
3 Locking systems  
4 Hinges  
5 Seals  
6 Handles  
7 Aluminium windows  
8 Miscellaneous  
9 Special catalogues  
Index



Rod movement is unidirectional

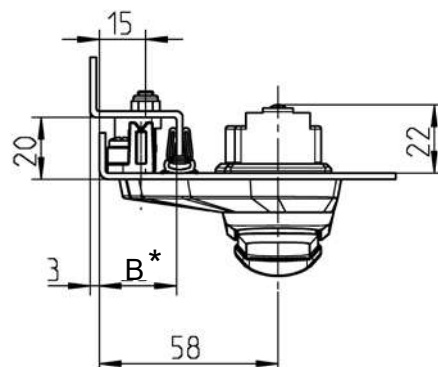
## Product benefits

- Innovative award-winning design
- Ergonomic surface feel
- Variable locking options
- Quick assembly and simple right-left change
- Integrated scratch protection prevents surface damage (handle / dish)
- Rattle-free rod connection by patented clip-in connection
- Allows small bending area 33 x 25 mm or 37 x 25 mm for more usable clearance



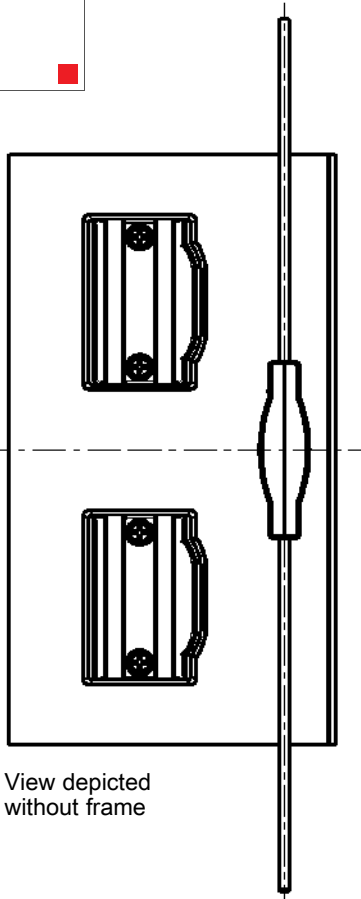
Example of an installation location

| Dimension A              | Flat rod 14x3 |           |
|--------------------------|---------------|-----------|
| Locking type (see right) | Dimension B   |           |
|                          | without seal  | with seal |
| 1                        | 30            | 33        |
| 2                        | 30            | 33        |
| 3                        | 34            | 37        |



| Dimension A              | Flat rod 10x3 |           |
|--------------------------|---------------|-----------|
| Locking type (see right) | Dimension B   |           |
|                          | without seal  | with seal |
| 4                        | 22            | 25        |

\* The values in the table for dimension B with seal refer to the seal 1011-10. With other seals, the values for dimension B differ.



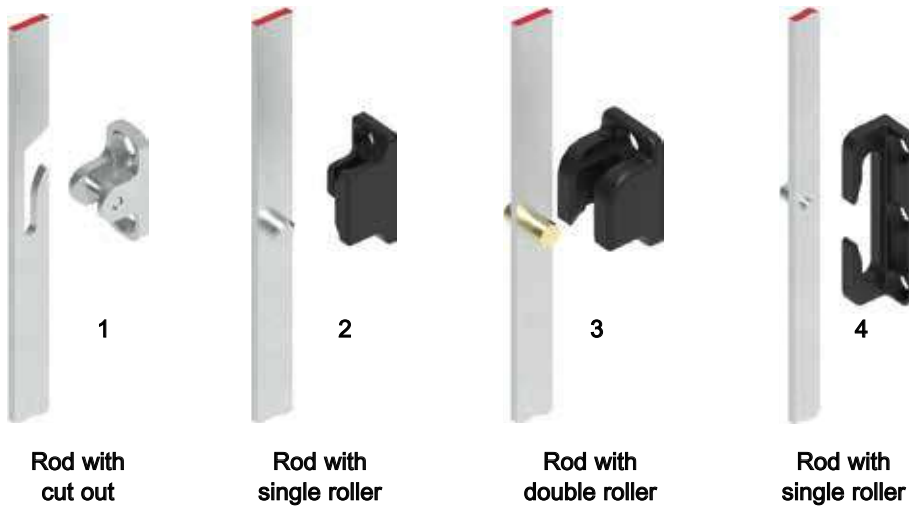
View depicted without frame



View depicted without caps



### Locking types



1 Rod with cut out

2 Rod with single roller

3 Rod with double roller

4 Rod with single roller

Swinghandle, rivet and caps polyamide GF black; rack polyamide 66 GF 50 black; shaft with pinion zinc die zinc-plated; fixing material m. s. zinc-plated; with spring and seal without locking set (please order lock set separately)

for flat rod 14x3; door return 25

1325-U201

for flat rod 10x3; door return 20

1325-U202

Module for different locking sets (see catalogue page 3BA-220)

① = Articles in other dimensions on request

Catch and hinge have the same fixing points

Multicolour pad printing possible

#### Further parts see page

|                  |         |
|------------------|---------|
| - Locking set    | 3XC-120 |
| - Rod controls   |         |
| door return 25   | 3ZA-600 |
| - Door return 20 | 3ZA-605 |

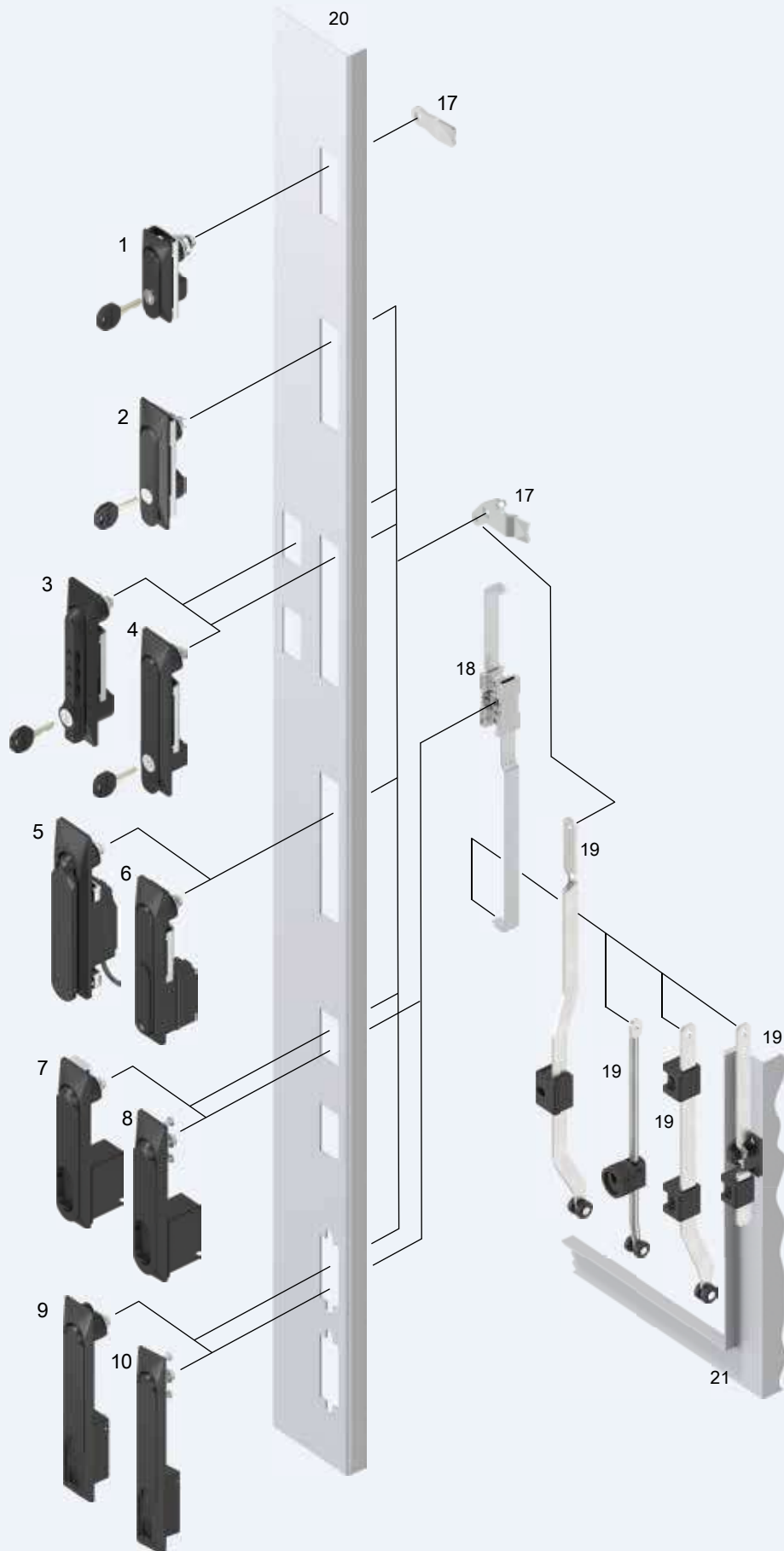
#### Hinge suitable for locking types 1, 2 and 3

|                       |        |
|-----------------------|--------|
| - 125° Hinge          | 4A-136 |
| - 180° Hinge (bottom) | 4A-140 |
| - 180° Hinge          | 4A-145 |

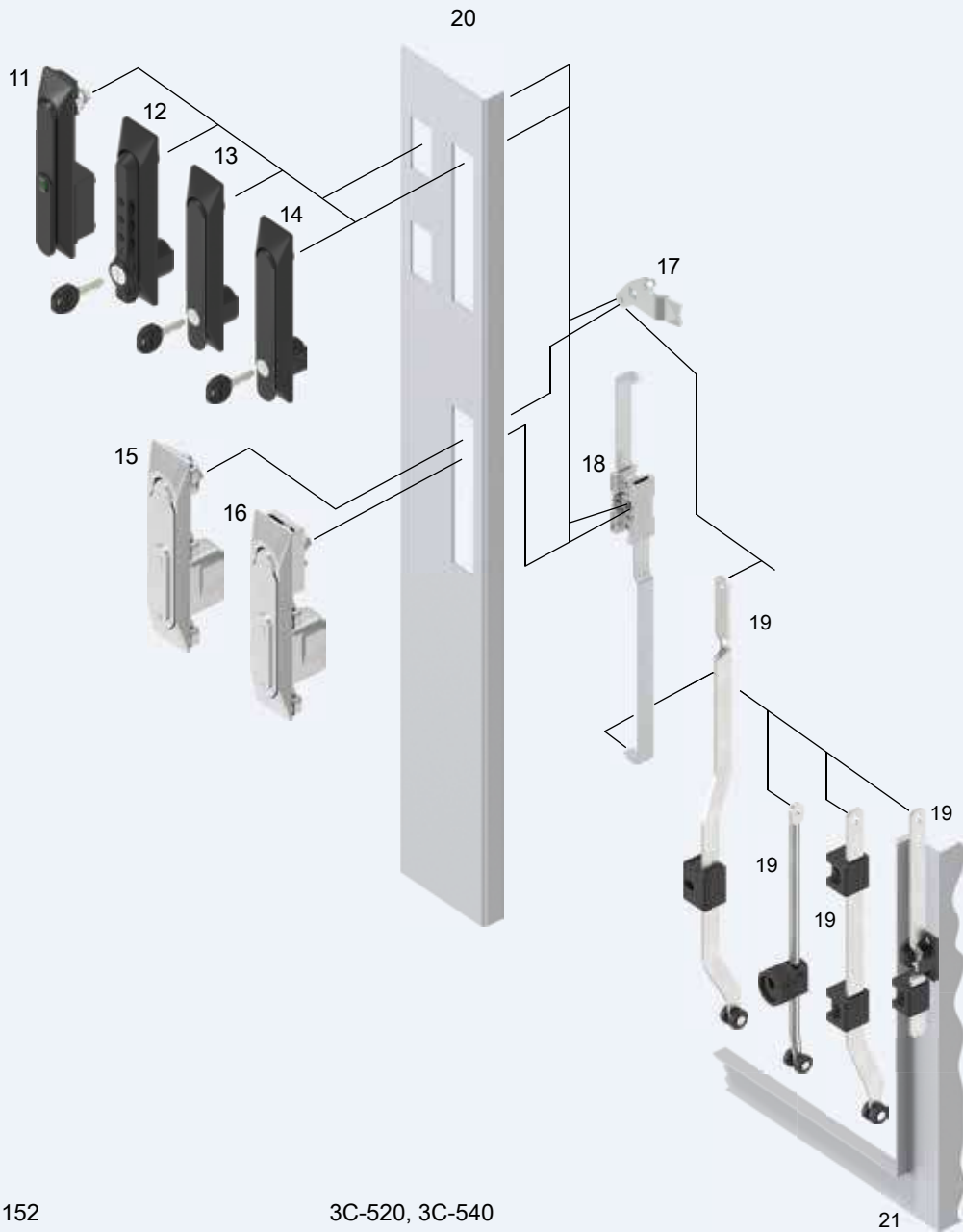
#### Also suitable for locking type 3

|                     |        |
|---------------------|--------|
| - 180° Hinge        |        |
| (26 mm door return) | 4A-170 |
| - 180° Hinge        |        |
| (26 mm door return) | 4A-210 |

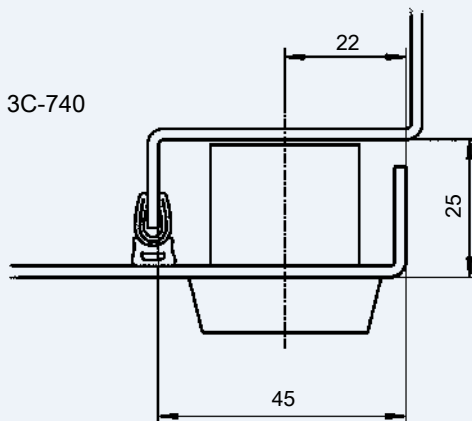
# Swinghandle Program 1150







- |    |  |                  |
|----|--|------------------|
| 1  | Swinghandle 1152   | 3C-520, 3C-540   |
| 2  | Swinghandle 1150   | 3C-120           |
| 3  | Swinghandle 1155   | 3C-620           |
| 4  | Swinghandle 1150   | 3C-120, 3C-140   |
| 5  | Swinghandle 1154, electromechanically                            | 3C-240           |
| 6  | Swinghandle 1154   | 3C-220           |
| 7  | Swinghandle 1153 for cam   | 3C-320           |
| 8  | Swinghandle 1153 for rod control                                 | 3C-320           |
| 9  | Swinghandle 1151 for cam   | 3C-420           |
| 10 | Swinghandle 1151 for rod control                                 | 3C-440           |
| 11 | Swinghandle 1150, electromechanically                            | 3C-160           |
| 12 | Swinghandle 1155 with universal escutcheon                       | 3C-750           |
| 13 | Swinghandle 1150 with universal dish and 'Push to Lock' function | 3C-740           |
| 14 | Swinghandle 1150 with universal dish                             | 3C-720 to 3C-740 |
| 15 | Swinghandle 1154 with RC2 for cam                                | 3C-260           |
| 16 | Swinghandle 1154 with RC2 for rod control                        | 3C-260           |
| 17 | Cam  |                  |
| 18 | Rod control  |                  |
| 19 | Rod  |                  |
| 20 | Door   |                  |
| 21 | Housing / Frame  |                  |

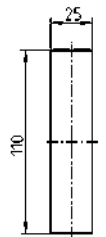
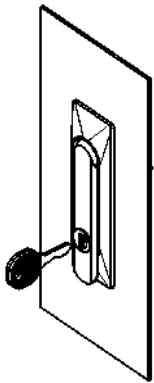


# 3C-100

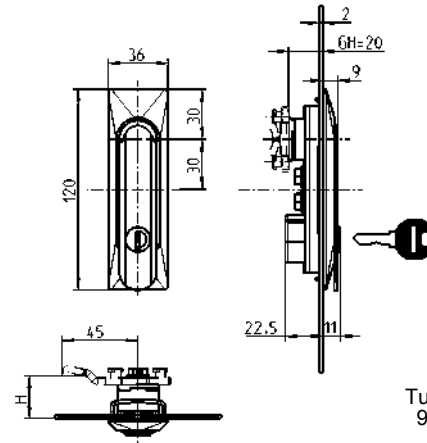
## Swinghandle 1150

## PROGRAM 1150

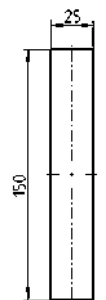
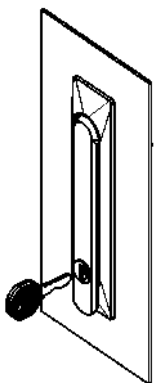
Version A (small)



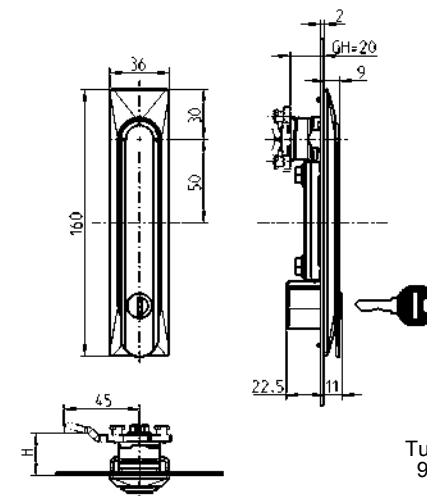
Cut out

Turn = Stroke  
90° = 26 mm

Version B (normal)



Cut out

Turn = Stroke  
90° = 26 mm

\* EMC version 1150U2-E

Swinghandle zinc die black powder-coated, round cylinder with stainless steel cap and shutter, fixing material m.s. zinc-pl., shaft zinc die zinc-pl., with seal, swinghandle is earthed

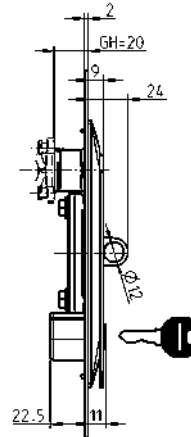
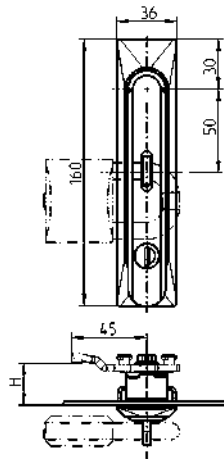
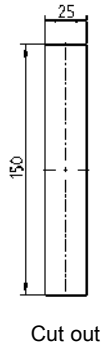
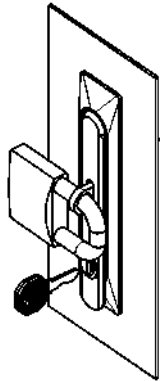
Swinghandle polyamide GF black, round cylinder with stainless steel cap and shutter, fixing material m.s. zinc-pl., shaft zinc die zinc-pl., with seal

Swinghandle zinc die black powder coated and dish polyamide GF black, round cylinder with stainless steel cap and dust cap, fixing material m.s. zinc-pl., shaft zinc die zinc-pl., with seal

| Version                              | A          | B          | A           | B           | A           | B           |
|--------------------------------------|------------|------------|-------------|-------------|-------------|-------------|
| keyed EK 333                         | 1150-U1    | 1150-U2*   | 1150-U1-02  | 1150-U2-02  | 1150-U1-03  | 1150-U2-03  |
| keyed different                      | 1150-U3    | 1150-U4    | 1150-U3-02  | 1150-U4-02  | 1150-U3-03  | 1150-U4-03  |
| <b>Insert zinc die chrome-plated</b> |            |            |             |             |             |             |
| Square 6                             | 1150-U20   | 1150-U9    | 1150-U20-02 | 1150-U9-02  | 1150-U20-03 | 1150-U9-03  |
| Square 7                             | 1150-U21   | 1150-U10   | 1150-U21-02 | 1150-U10-02 | 1150-U21-03 | 1150-U10-03 |
| Square 8                             | 1150-U22   | 1150-U11   | 1150-U22-02 | 1150-U11-02 | 1150-U22-03 | 1150-U11-03 |
| Triangular 6.5 CNOMO                 | 1150-U32   | 1150-U31   | 1150-U32-02 | 1150-U31-02 | 1150-U32-03 | 1150-U31-03 |
| Triangular 7                         | 1150-U23   | 1150-U12   | 1150-U23-02 | 1150-U12-02 | 1150-U23-03 | 1150-U12-03 |
| Triangular 8                         | 1150-U24   | 1150-U13   | 1150-U24-02 | 1150-U13-02 | 1150-U24-03 | 1150-U13-03 |
| Double bit 3                         | 1150-U25   | 1150-U14   | 1150-U25-02 | 1150-U14-02 | 1150-U25-03 | 1150-U14-03 |
| Double bit 5                         | 1150-U26   | 1150-U15   | 1150-U26-02 | 1150-U15-02 | 1150-U26-03 | 1150-U15-03 |
| Daimler Benz                         | 1150-U27   | 1150-U16   | 1150-U27-02 | 1150-U16-02 | 1150-U27-03 | 1150-U16-03 |
| Slot 2x4                             | 1150-U28   | 1150-U17   | 1150-U28-02 | 1150-U17-02 | 1150-U28-03 | 1150-U17-03 |
| Hexagon female SW 8 with pin         | 1150-U29   | 1150-U18   | 1150-U29-02 | 1150-U18-02 | 1150-U29-03 | 1150-U18-03 |
| Hexagon male SW 11                   | 1150-U30   | 1150-U19   | 1150-U30-02 | 1150-U19-02 | 1150-U30-03 | 1150-U19-03 |
| Push button                          | on request | on request | on request  | on request  | 1150-U55-03 | on request  |



Version B for padlock



Each round cylinder has one silver steel key with grip polyamide GF black

Swinghandle zinc die black powder-coated, round cylinder with stainless steel cap and dust cap, padlock shackle AISI 316, shaft zinc die zinc-plated, with seal, fixing material m.s. zinc-plated, swinghandle earthed

**Version B for padlock**

|                 |            |
|-----------------|------------|
| keyed EK 333    | 1150-U2-01 |
| keyed different | 1150-U4-01 |

**Insert zinc die chrome-plated**

|                              |             |
|------------------------------|-------------|
| Square 6                     | 1150-U9-01  |
| Square 7                     | 1150-U10-01 |
| Square 8                     | 1150-U11-01 |
| Triangular 6.5 CNOMO         | 1150-U31-01 |
| Triangular 7                 | 1150-U12-01 |
| Triangular 8                 | 1150-U13-01 |
| Double bit 3                 | 1150-U14-01 |
| Double bit 5                 | 1150-U15-01 |
| Daimler Benz                 | 1150-U16-01 |
| Slot 2x4                     | 1150-U17-01 |
| Hexagon female SW 8 with pin | 1150-U18-01 |
| Hexagon male SW 11           | 1150-U19-01 |
| Push button                  | 1150-U55-01 |

**Further parts see page**

- Key 8B-120
- Spare key 8B-140
- Cam (GH = 20) 3YC-140

**On request:**

- Handle blind (without locking system)

Info

1 Quarter turns



2 Rod controls



3 Locking systems



4 Hinges

5 Seals

6 Handles

7 Aluminium windows

8 Miscellaneous

9 Special catalogues

Index

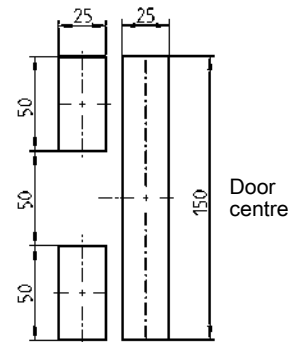
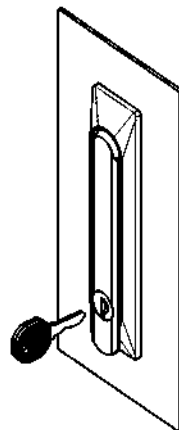
\* can be used for cut out of 1125/1225

#### Further parts see page

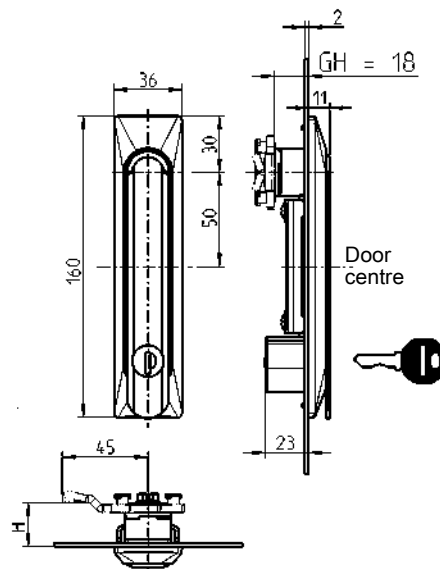
- Key 8B-120
- Spare key 8B-140
- Cams (GH = 18) 3YC-120

#### On request:

- Key of round cylinder not removable in open position
- Other inserts



Cut out



Swinghandle zinc die black-powder coated, dish polyamide GF black, fixing material m.s. zinc-plated, shaft zinc die zinc-plated., round cylinder with stainless steel cap and dust cap, with seal. Each round cylinder has one silver steel key with grip polyamide GF black

|              |             |
|--------------|-------------|
| keyed EK 333 | 1150-U33-03 |
|--------------|-------------|

|                 |             |
|-----------------|-------------|
| keyed different | 1150-U34-03 |
|-----------------|-------------|

#### Insert zinc die chrome-plated

|          |             |
|----------|-------------|
| Square 6 | 1150-U36-03 |
|----------|-------------|

|          |             |
|----------|-------------|
| Square 7 | 1150-U37-03 |
|----------|-------------|

|          |             |
|----------|-------------|
| Square 8 | 1150-U38-03 |
|----------|-------------|

|                      |             |
|----------------------|-------------|
| Triangular 6.5 CNOMO | 1150-U39-03 |
|----------------------|-------------|

|              |             |
|--------------|-------------|
| Triangular 7 | 1150-U40-03 |
|--------------|-------------|

|              |             |
|--------------|-------------|
| Triangular 8 | 1150-U41-03 |
|--------------|-------------|

|              |             |
|--------------|-------------|
| Double bit 3 | 1150-U42-03 |
|--------------|-------------|

|              |             |
|--------------|-------------|
| Double bit 5 | 1150-U43-03 |
|--------------|-------------|

|              |             |
|--------------|-------------|
| Daimler Benz | 1150-U44-03 |
|--------------|-------------|

|          |             |
|----------|-------------|
| Slot 2x4 | 1150-U35-03 |
|----------|-------------|

|                              |             |
|------------------------------|-------------|
| Hexagon female SW 8 with pin | 1150-U45-03 |
|------------------------------|-------------|

|                    |             |
|--------------------|-------------|
| Hexagon male SW 11 | 1150-U46-03 |
|--------------------|-------------|

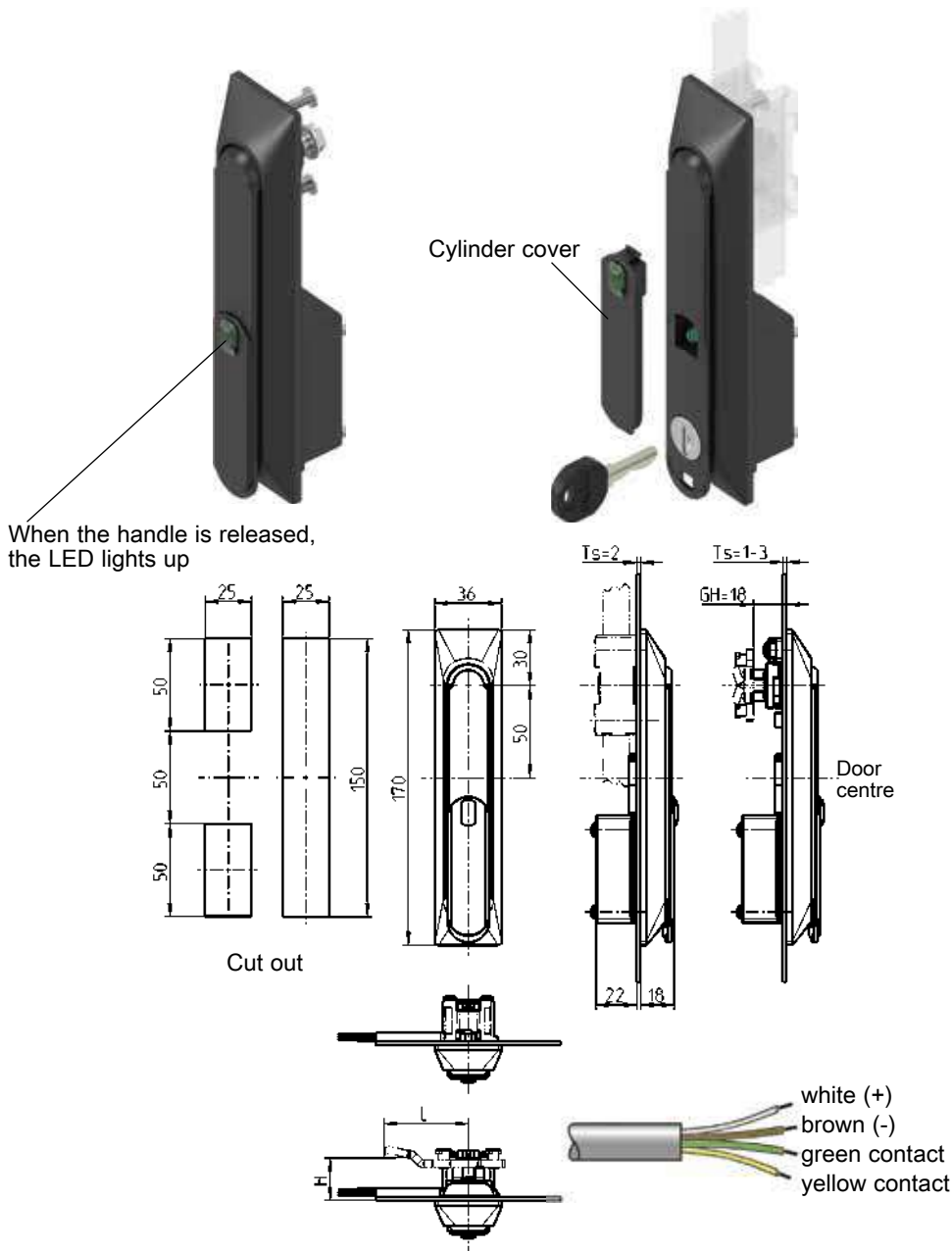
### 3C-140

(3F-121)

# Swinghandle 1150 with electromechanical release and emergency opening

## PROGRAM 1150

This handle is suitable for locking indoor cabinets. It is released by applying a voltage signal of 12 V or 24 V DC. After pushing the handle briefly into the dish, it can be opened. The integrated reed contact is used for remote monitoring of the handle status. To lock the handle it must be pressed into the dish until the locking mechanism engages. The provided key is used to open the handle in case of power failure. For this purpose the cover on the locking cylinder has to be removed. The cover will be destroyed thereby and must be placed.



Handle zinc die black powder-coated; dish and cap polyamide GF black; cylinder cover Bio-Flex black; shaft brass, round cylinder with stainless steel cap and dust cap; solenoid with electronics; Reed contact and LED; connecting cable (4 m); fixing material m.s. zinc plated.  
Each round cylinder has one silver steel key with grip polyamide GF black  
Contact switching power: 48 VDC, 0.5 A

|   | keyed<br>EK 333 | keyed different |
|---|-----------------|-----------------|
| Solenoid 12 V, for rod control or cam             | 1150-U56        | 1150-U56-V      |
| Solenoid 24 V, for rod control or cam             | 1150-U56-01     | 1150-U56-01V    |
| <b>Cylinder cover Bio-Flex black (spare part)</b> |                 |                 |
|   |                 | 1150-B33        |



**Note:**  
This handle can be connected to the modules 3000-U32-02 and 3000-U47-02 or 3000-U47-07.

**Further parts see page**  
 – Cams (GH = 18) 3YC-120  
 – Rod control 3YA-110  
 3YA-120  
 3YA-140  
 – Spare key 8B-140

Info

1 Quarter turns

2 Rod controls

3 Locking systems

4 Hinges

5 Seals

6 Handles

7 Aluminium windows

8 Miscellaneous

9 Special catalogues

Index



Resistance class:

RC2 DIN EN 1630, is achieved with the 1154-U2 swinghandle with profile half cylinder according to DIN EN 18252-BZ or DIN EN 1303 with resistance class 2 with drilling and pulling protection.

The profile half cylinder should be certified and monitored by PIV CERT or alternatively by a certifying body according to DIN EN ISO/IEC 17065.

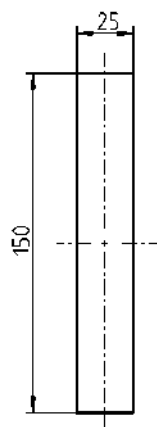


②

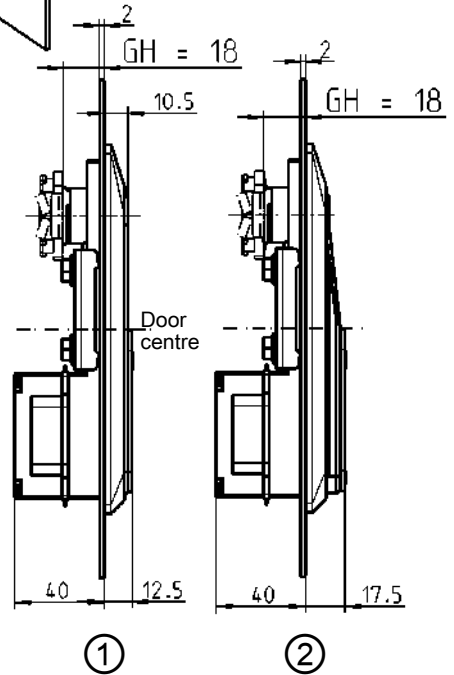
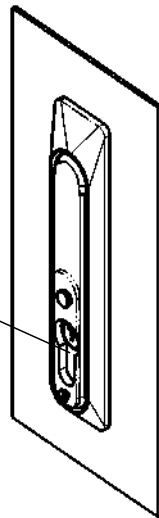
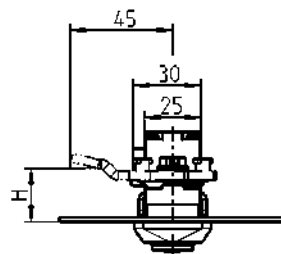
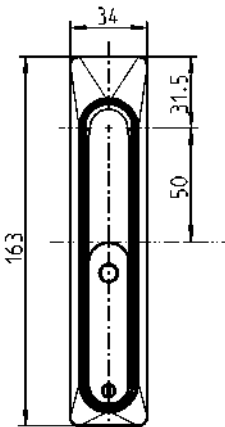


①

Profile half cylinder is recessed by 3 mm



Cut out



Turn = Stroke  
90° = 26 mm

Suitable for profile half cylinder (length A = 30 or A = 35) or DIN 18252 (EN 1303)

Further parts see page  
- Cams (GH = 18) 3YC-120  
- Profile half cylinder 3XB-120

Swinghandle zinc die black powder-coated, cap polyamide black, shaft zinc die zinc-plated, fixing material m.s. zinc-plated, with seal

① for profile half cylinder 40

1154-U1

② for profile half cylinder 45

1154-U3

Swinghandle AISI 316, shaft AISI 303, cap polyamide black, fixing material stainless steel, with seal

① for profile half cylinder 40; with RC2

1154-U2

# Swinghandle 1154 with electromechanical release and emergency opening

## PROGRAM 1150

This handle is suitable for locking outdoor cabinets.

By applying a 12 V, 24 V or 48 V DC signal, the handle can be released. After pushing the handle briefly into the dish, it can be opened.

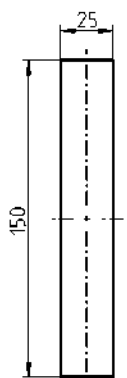
The integrated Reed contact is used for remote monitoring of the handle status. To lock the handle it must be pressed into the dish until the locking mechanism engages. The provided key is used to open the handle in case of power failure. To open the cylinder cover, the screw M3 has to be removed. Unlocking by means of round / pin cylinder is possible then.



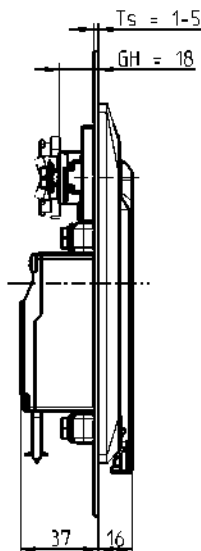
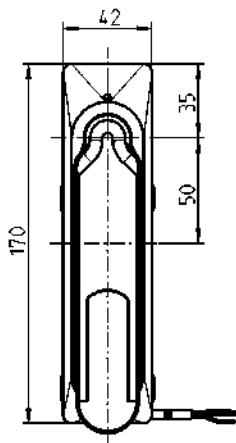
Round cylinder EK



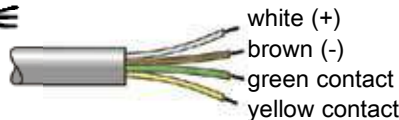
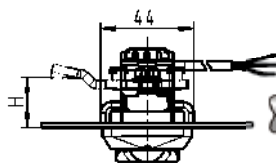
Two countersunk screws M3 included in scope of delivery. Cross recess and hexagon female SW 2 with pin.



Cut out



H-dimension starting at 33 mm



When the handle is released, the LED lights up.



Max. power-on time: 1 minute



Swinghandle zinc die black powder-coated, cap and dust cap polyamide GF black, shaft zinc die zinc-plated, holder AISI 304, round cylinder EK with stainless steel cap and shutter, brass pin, solenoid with electronics, Reed contact and LED, cable (4 m), screw M3 for cylinder cover AISI 304, fixing material m.s. zinc-plated, with seal.

Each round cylinder has one silver steel key with grip polyamide GF black.

Contact switching power: 48 VDC, 0.5 A

|                        | keyed EK 333 | keyed different |
|------------------------|--------------|-----------------|
| Round cylinder EK; 48V | 1154-U6      | 1154-U6-V       |
| Round cylinder EK; 24V | 1154-U6-02   | 1154-U6-02V     |
| Round cylinder EK; 12V | 1154-U6-03   | 1154-U6-03V     |

Further parts see page

- Cam (stroke 26) 3YC-120
- Rod on request 8B-140
- Spare key EK





# Stainless steel swinghandle 1154 with RC2

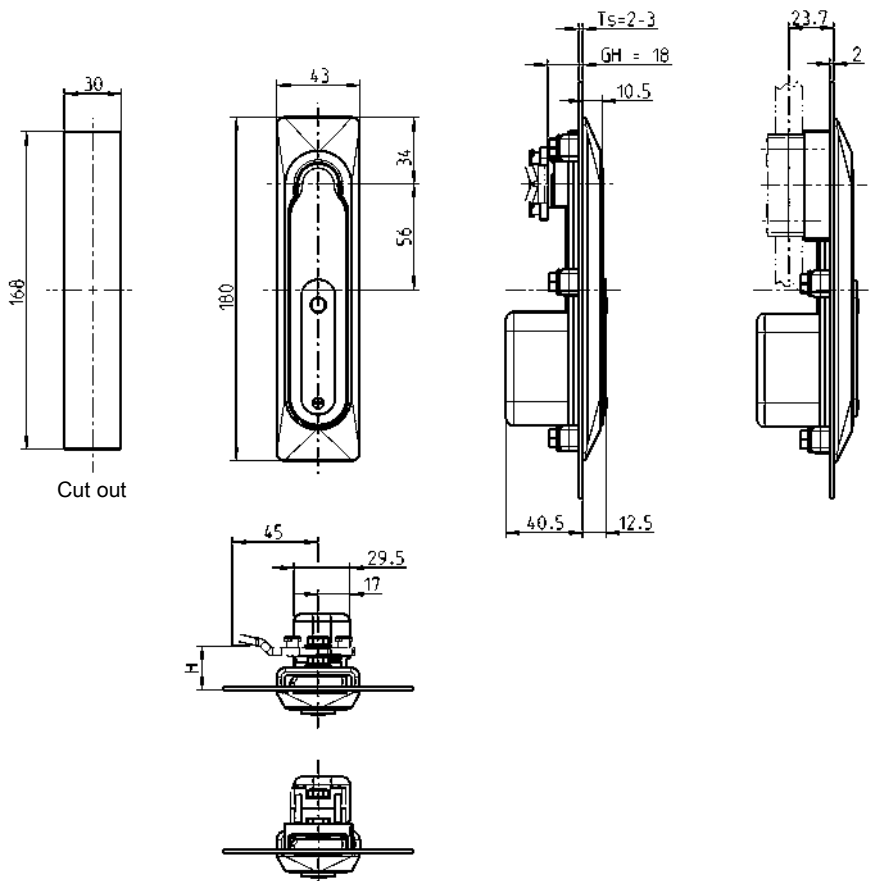
## PROGRAM 1150

Prepared for profile half cylinder  
(Length A = 30) DIN 18252 (EN 1303)



PIV certificate 20-15/07

The swinghandle has successfully passed the test according to RC2 DIN V ENV 1630 (RC2).  
The test was approved by the 'test institute for locks and fittings Velbert'.



Turn 90° with cam



Further parts see page

- Cam (GH = 18) 3YC-120
- Rod control for cam 3YC-180
- Rod control 3YA-440
- Profile half cylinder 3XB-120

Swinghandle AISI 316, shaft AISI 303, fixing material stainless steel, with seal

|                 |         |
|-----------------|---------|
| for cam         | 1154-U4 |
| for rod control | 1154-U5 |

Info

1 Quarter turns

2 Rod controls

3 Locking systems

4 Hinges

5 Seals

6 Handles

7 Aluminium windows

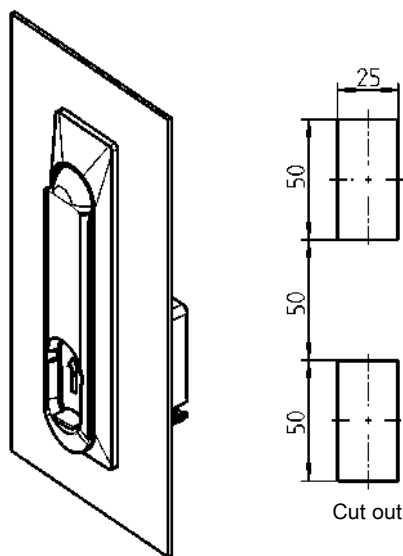
8 Miscellaneous

9 Special catalogues

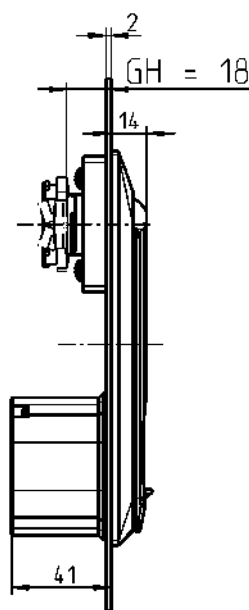
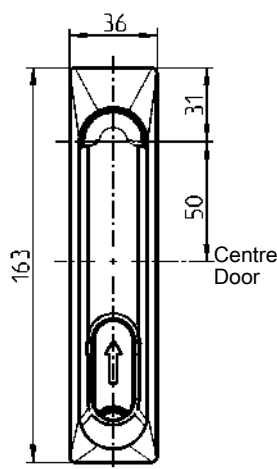
Index



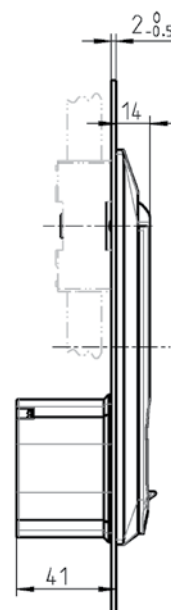
Prepared for profile half cylinder  
(Length A = 30) DIN 18252 (EN 1303)



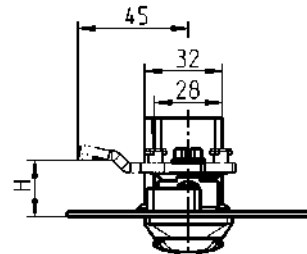
Cut out



Version A



Version B,  
earthing possible



Attention: Length of housing GH = 18 mm

\* can be used for  
cut out of 1125/1225

Further parts see page  
for version A

– Cam (GH = 18) 3YC-120

for version B

– Rod control only inside the sea-  
ling 3YA-110

3YA-120

3YA-140

for version A and B

– Profile half cylinder 3XB-120

Swinghandle zinc die black powder-coated, fixing material m.s. zinc-plated,  
shaft zinc die zinc-plated, with seal

Version A for cams

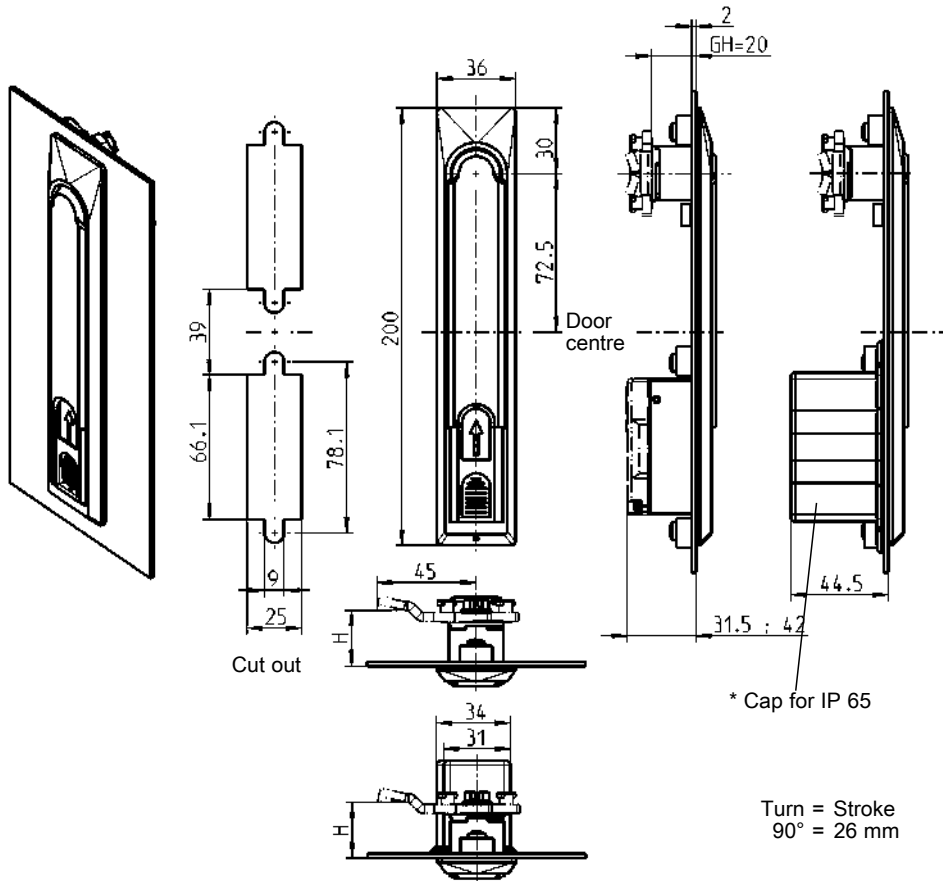
1153-U1

Version B for rod control, earthing possible

1153-U2

# Swinghandle 1151

## PROGRAM 1150



\* Dimensions:  
38.5 (wide) x 97 (length), cap for profile half cylinder  
35 (wide) x 97 (length), cap for insert and round cylinder



**Note:**  
Swinghandle without locking set

**Further parts see page**  
– Locking set 3XA-120  
3XA-140  
– Locking set ELM  
Special catalogue Electronics  
– Cam (GH = 20) 3YC-140

Swinghandle zinc die black powder-coated,  
fixing material m.s. zinc-plated, shaft zinc die zinc-plated, with seal

Protection class IP 54 1151-U1

**IP 65 achieved by**

Cap for profile half cylinder 1151-05

Cap for insert and round cylinder 1151-05-01

Info

1 Quarter turns



2 Rod controls



3 Locking systems



4 Hinges

5 Seals

6 Handles



7 Aluminium windows

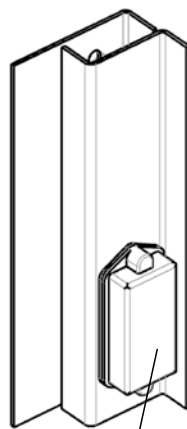
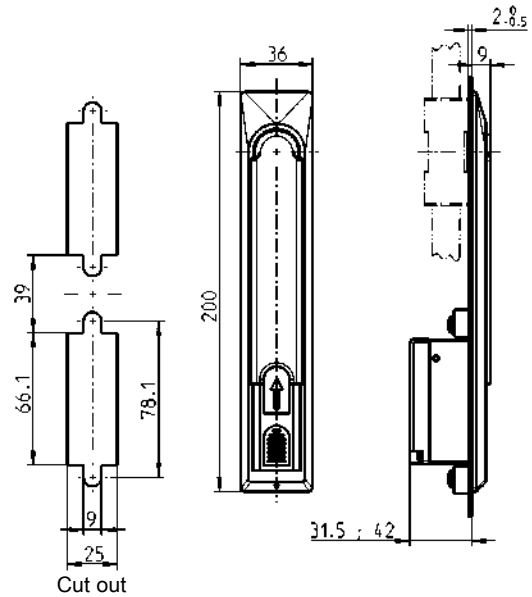
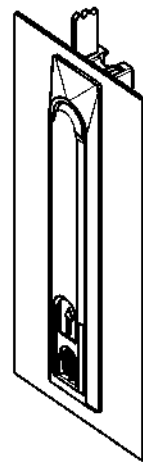
8 Miscellaneous

9 Special catalogues

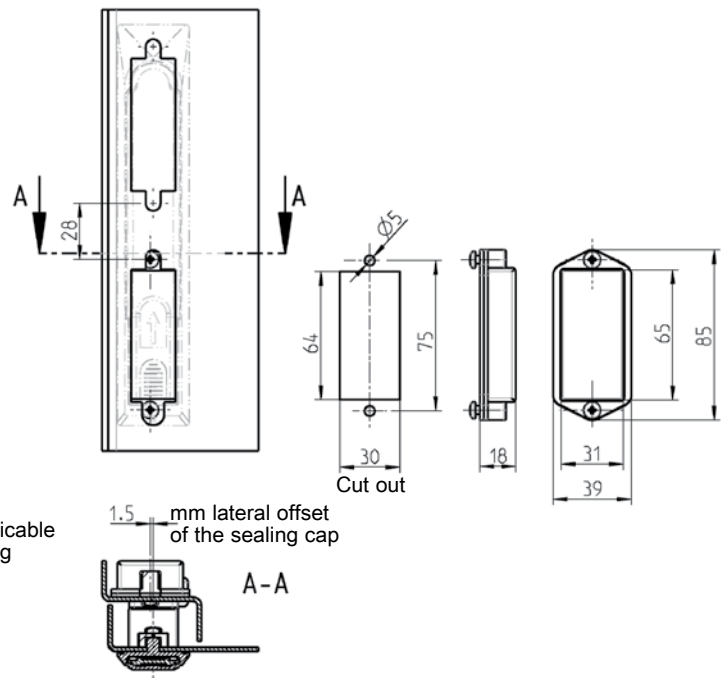
Index

**Note:**  
Swinghandle without locking set

**Further parts see page**  
 – Locking set 3XA-120  
 3XA-140  
 – Locking set ELM  
 Special catalogue Electronics  
 – Rod control  
 3YA-420



Frame cover applicable  
outside the sealing



Swinghandle zinc die black powder-coated, fixing material m.s. zinc-plated,  
shaft zinc die zinc-plated, with seal

1151-U3

Frame cover polyamide GF black, screws m.s. zinc plated  
for LH and RH application, with seal

2100-U31

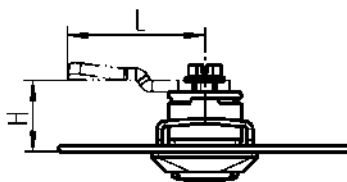
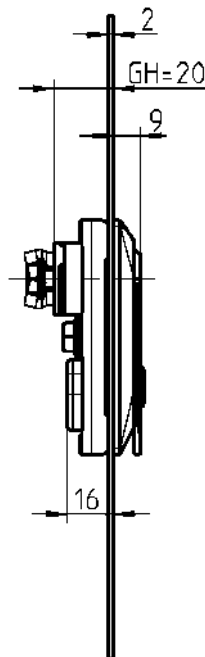
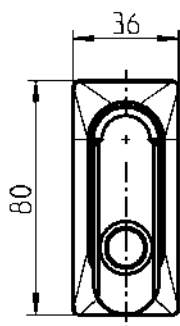
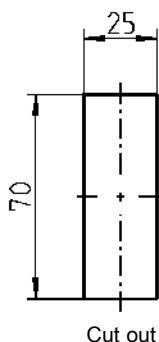
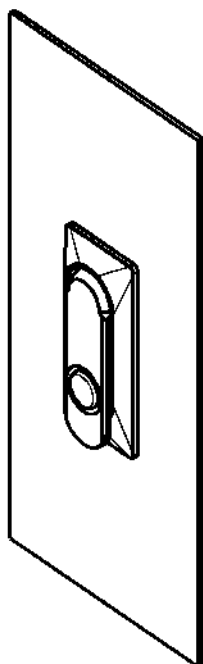
**3C-440**

(3F-135)

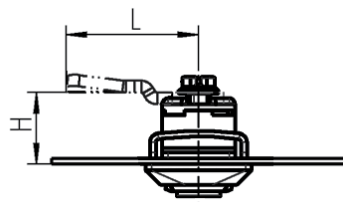
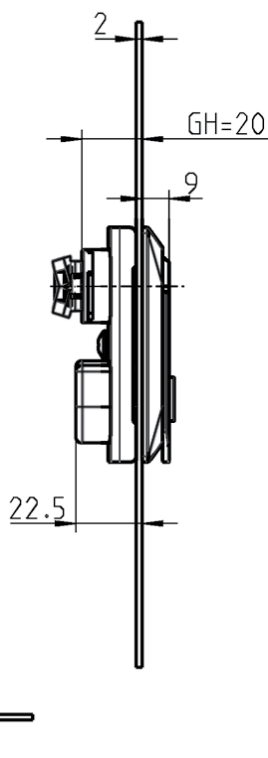
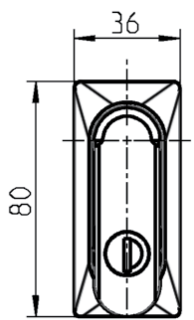
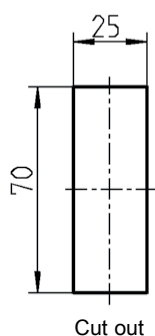
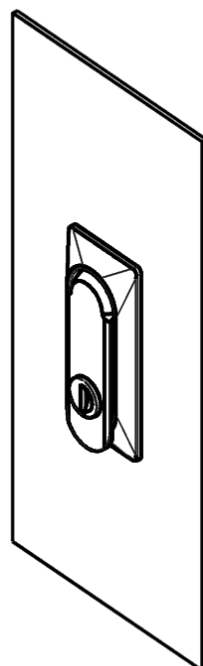
# Swinghandle 1152

## PROGRAM 1150

Swinghandle with push button or blind



Swinghandle with round cylinder



Swinghandle zinc die black powder-coated, round cylinder with stainless steel cap and shutter, fixing material m.s. zinc-plated, shaft zinc die zinc-plated, push button polyamide silver, with seal.

Each round cylinder has one silver steel key with grip polyamide GF black

|                 |         |
|-----------------|---------|
| Push button     | 1152-U1 |
| keyed EK 333    | 1152-U2 |
| keyed different | 1152-U4 |
| blind           | 1152-U3 |



Turn 90°

**Note:**  
Polyamide version on request.

**Further parts see page**  
– Cam without catch on request (not for cam with rod control)  
– Spare key 8B-140

Info

1 Quarter turns

2 Rod controls

3 Locking systems

4 Hinges

5 Seals

6 Handles

7 Aluminium windows

8 Miscellaneous

9 Special catalogues

Index

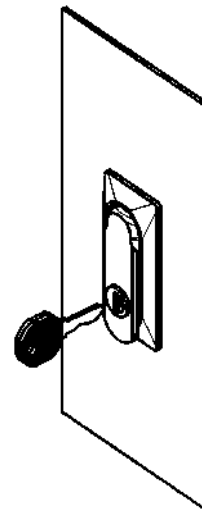


Turn 90°

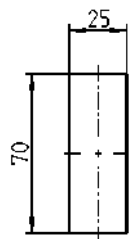
**Note:**  
Suitable for door thicknesses  
from 1 - 3 mm.

**Further versions on request**  
– Version with logo possible  
– Additional vibration protection  
e.g. for use in vehicle construction

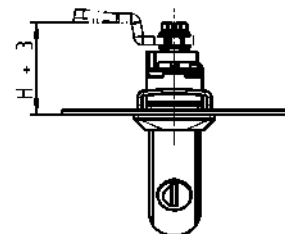
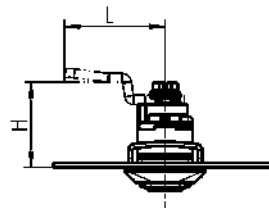
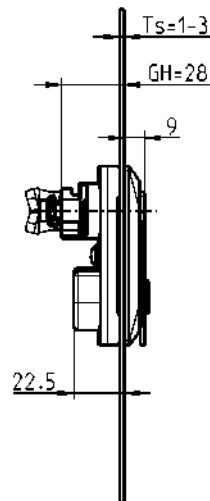
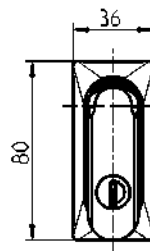
**Further parts see page**  
– Cam 1C-120  
– Spare key 8B-140



As the handle is pushed into the escutcheon (see fig 2)  
the cam moves 3 mm axially towards the door.



Cut out



Swinghandle polyamide GF black powder-coated,  
round cylinder with stainless steel cap and shutter,  
fixing material m.s. zinc-plated,  
shaft zinc die zinc-plated, push button polyamide silver.  
Each round cylinder has one silver steel key with grip polyamide GF black

|                 | without seal (IP 40) | with seal (IP 65) |
|-----------------|----------------------|-------------------|
| Push button     | 1152-U9              | 1152-U9-01        |
| keyed EK 333    | 1152-U10             | 1152-U10-01       |
| keyed different | 1152-U12             | 1152-U12-01       |
| blind           | 1152-U11             | 1152-U11-01       |

# Swinghandle\* 1155

## PROGRAM 1150

Swinghandle with two locking options. For single point or multiple point locking system.



1 Quarter turns

2 Rod controls

3 Locking systems

4 Hinges

5 Seals

6 Handles

7 Aluminium windows

8 Miscellaneous

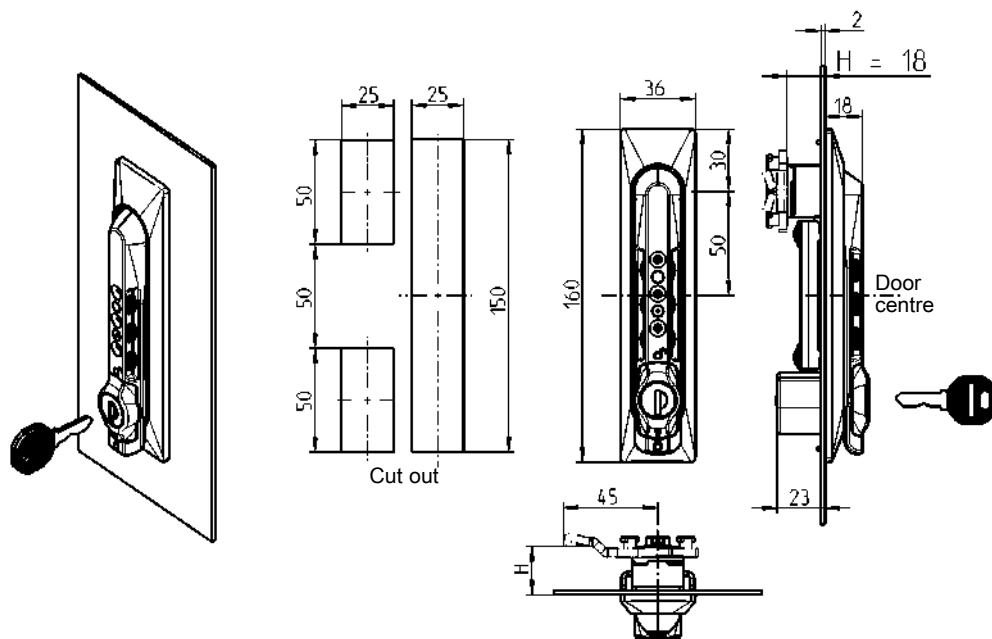
9 Special catalogues

Index



**Option 1:**  
Release using round cylinder. Operation as with usual swinghandles of Program 1150. The combination lock remains untouched.

**Option 2:**  
Release using combination lock and wing knob. The round cylinder remains locked. The arrow on the wing knob indicates the opened or closed position.



Swinghandle polyamide GF black powder-coated, shaft zinc die zinc-plated, round cylinder with stainless steel cap and shutter, fixing material m.s. zinc plated, with seal. Each round cylinder has one silver steel key with grip polyamide GF black

|                 |         |
|-----------------|---------|
| keyed EK 333    | 1155-U1 |
| keyed different | 1155-U2 |

\* can be used for cut out of 1125/1225

Further parts see page  
 – Cams (GH = 18) 3YC-120  
 – Spare key 8B-140

Info

1 Quarter turns



2 Rod controls



3 Locking systems



4 Hinges

5 Seals

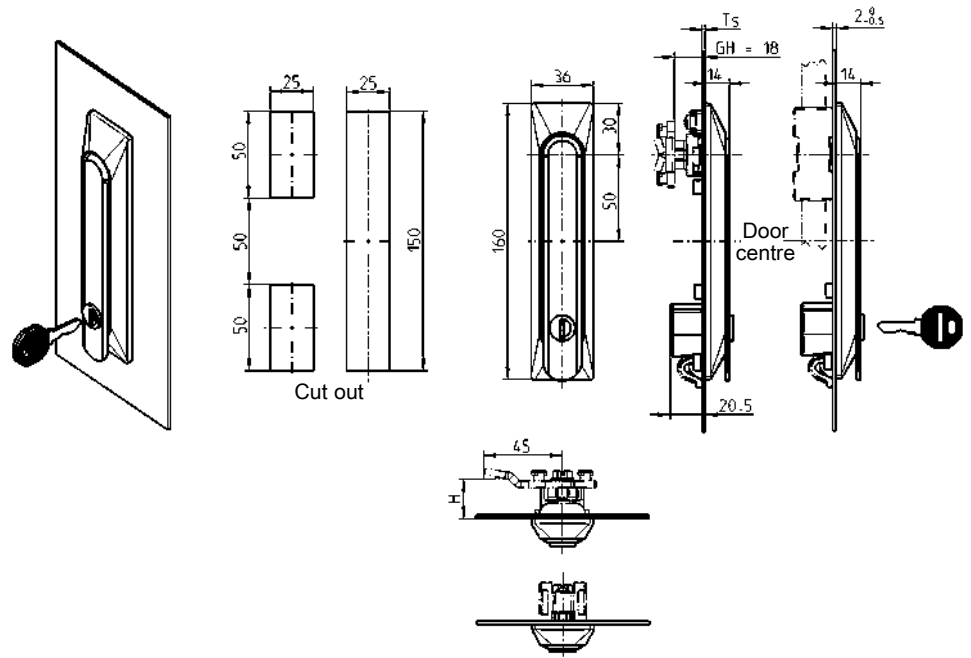
6 Handles

7 Aluminium windows

8 Miscellaneous

9 Special catalogues

Index



#### Attention:

Please order fixing material separately.

Ts = 1.0 to 3.0 mm depending on choice of fixing material

Swinghandle material of choice, dish polyamide black, shaft zinc die zinc-plated, with seal, round cylinder zinc die with stainless steel cap and shutter.

Each round cylinder has one silver steel key with grip polyamide GF black

|                                      | Swinghandle polyamide GF black | Handle zinc die black powder-coated |
|--------------------------------------|--------------------------------|-------------------------------------|
| keyed EK 333                         | 1150-U2-11                     | 1150-U2-12                          |
| keyed different                      | 1150-U4-11                     | 1150-U4-12                          |
| <b>Insert zinc die chrome-plated</b> |                                |                                     |
| Square 6                             | 1150-U9-11                     | 1150-U9-12                          |
| Square 7                             | 1150-U10-11                    | 1150-U10-12                         |
| Square 8                             | 1150-U11-11                    | 1150-U11-12                         |
| Triangular 6.5 CNOMO                 | 1150-U31-11                    | 1150-U31-12                         |
| Triangular 7                         | 1150-U12-11                    | 1150-U12-12                         |
| Triangular 8                         | 1150-U13-11                    | 1150-U13-12                         |
| Double bit 3                         | 1150-U14-11                    | 1150-U14-12                         |
| Double bit 5                         | 1150-U15-11                    | 1150-U15-12                         |
| Daimler Benz                         | 1150-U16-11                    | 1150-U16-12                         |
| Slot 2x4                             | 1150-U17-11                    | 1150-U17-12                         |
| Hexagon female SW 8 with pin         | 1150-U18-11                    | 1150-U18-12                         |
| Hexagon male SW 11                   | 1150-U19-11                    | 1150-U19-12                         |
| Push button                          | 1150-U20-11                    | 1150-U20-12                         |

\* can be used for cut out of 1125/1225

#### Further parts see page

- Fixing material 3C-780
- Cams (GH = 18) 3YA-120
- Rod control 3YA-110

- 3YA-120
- 3YA-140
- Key 8B-120
- Spare key 8B-140

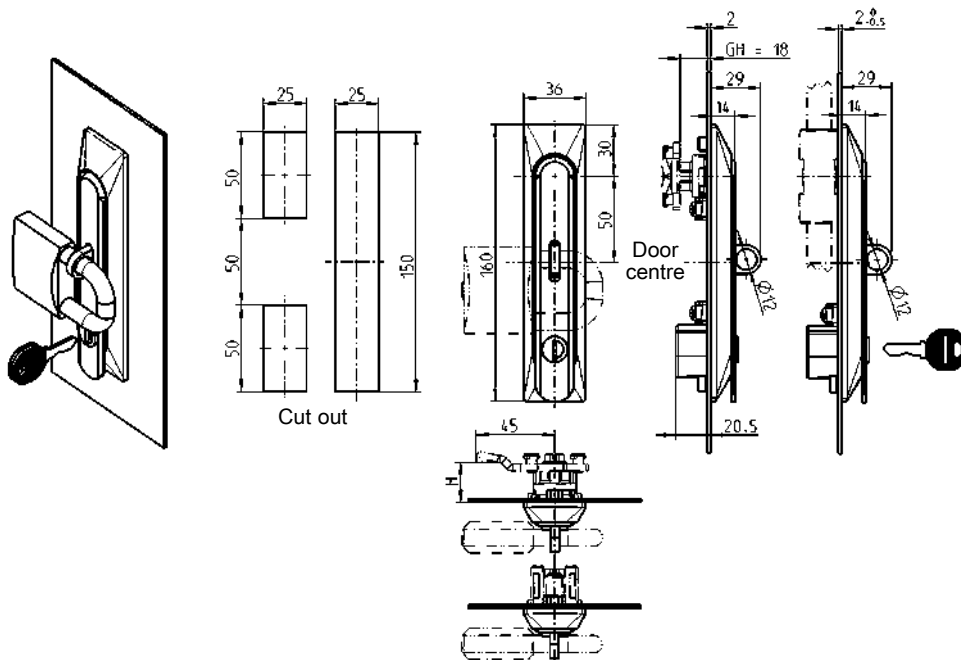
#### On request:

- Key of round cylinder not removable in open position
- Other inserts
- Handle blind (without locking system)



# Swinghandle\* 1150 for padlock with universal dish

## PROGRAM 1150



**Attention:**  
Please order fixing material separately.  
Ts = 1.0 to 3.0 mm depending on choice of fixing material



Swinghandle zinc die black powder-coated; dish polyamide black; padlock shackle AISI 316; shaft zinc plated, with seal; round cylinder zinc die with stainless steel cap and dust cap. Each round cylinder has one silver steel key with grip polyamide GF black

|                                      |             |
|--------------------------------------|-------------|
| keyed EK 333                         | 1150-U2-13  |
| keyed different                      | 1150-U4-13  |
| <b>Insert zinc die chrome-plated</b> |             |
| Square 6                             | 1150-U9-13  |
| Square 7                             | 1150-U10-13 |
| Square 8                             | 1150-U11-13 |
| Triangular 6.5 CNOMO                 | 1150-U31-13 |
| Triangular 7                         | 1150-U12-13 |
| Triangular 8                         | 1150-U13-13 |
| Double bit 3                         | 1150-U14-13 |
| Double bit 5                         | 1150-U15-13 |
| Daimler Benz                         | 1150-U16-13 |
| Slot 2x4                             | 1150-U17-13 |
| Hexagon female SW 8 with pin         | 1150-U18-13 |
| Hexagon male SW 11                   | 1150-U19-13 |
| Push button                          | 1150-U20-13 |

\* can be used for cut out of 1125/1225

**Further parts see page**

- Fixing material 3C-780
- Cams (GH = 18) 3YC-120
- Rod control 3YA-110
- 3YA-120
- 3YA-140
- Key 8B-120
- Spare key 8B-140

**On request:**

- Key of round cylinder not removable in open position
- Other inserts
- Handle blind (without locking system)

Info

1 Quarter turns

2 Rod controls

3 Locking systems

4 Hinges

5 Seals

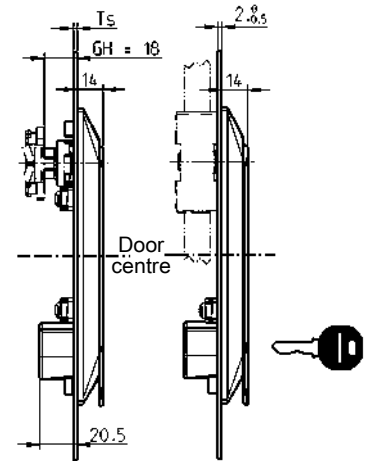
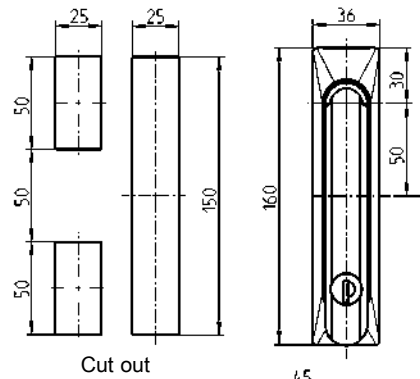
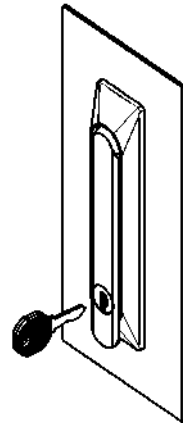
6 Handles

7 Aluminium windows

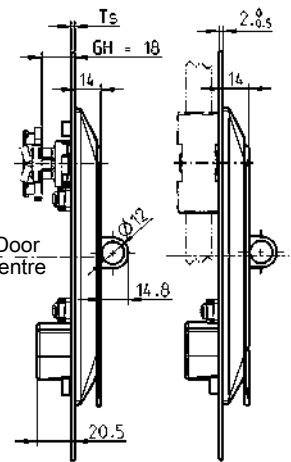
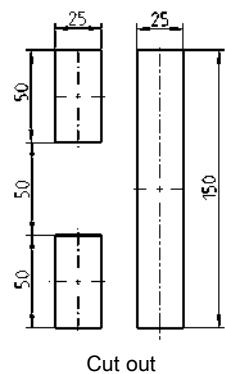
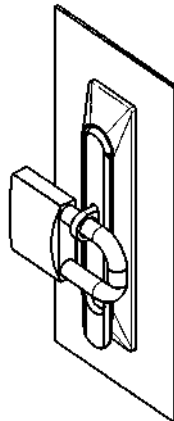
8 Miscellaneous

9 Special catalogues

Index



**Attention:**  
Please order fixing material separately.  
Ts = 1.0 to 3.0 mm depending on choice of fixing material



Swinghandle zinc die black powder-coated, dish polyamide black, shaft zinc die zinc-plated, with seal, round cylinder zinc die with stainless steel cap and shutter.  
Each round cylinder has one silver steel key with grip polyamide GF black

|                                      |             | Push to lock | Push to lock and for padlock |
|--------------------------------------|-------------|--------------|------------------------------|
| keyed EK 333                         | 1150-U33-22 | -            | -                            |
| keyed different                      | 1150-U34-22 | -            | -                            |
| <b>Insert zinc die chrome-plated</b> |             |              |                              |
| Square 6                             | 1150-U36-22 | 1150-U36-30  | 1150-U36-31                  |
| Square 7                             | 1150-U37-22 | 1150-U37-30  | 1150-U37-31                  |
| Square 8                             | 1150-U38-22 | 1150-U38-30  | 1150-U38-31                  |
| Triangular 6.5 CNOMO                 | 1150-U39-22 | 1150-U39-30  | 1150-U39-31                  |
| Triangular 7                         | 1150-U40-22 | 1150-U40-30  | 1150-U40-31                  |
| Triangular 8                         | 1150-U41-22 | 1150-U41-30  | 1150-U41-31                  |
| Double bit 3                         | 1150-U42-22 | 1150-U42-30  | 1150-U42-31                  |
| Double bit 5                         | 1150-U43-22 | 1150-U43-30  | 1150-U43-31                  |
| Daimler Benz                         | 1150-U44-22 | 1150-U44-30  | 1150-U44-31                  |
| Slot 2x4                             | 1150-U35-22 | 1150-U35-30  | 1150-U35-31                  |
| Hexagon female SW 8 with pin         | 1150-U45-22 | 1150-U45-30  | 1150-U45-31                  |
| Hexagon male SW 11                   | 1150-U46-22 | 1150-U46-30  | 1150-U46-31                  |

\* can be used for cut out of 1125/1225

**Further parts see page**

- Fixing material 3C-780
- Cams (GH = 18) 3YC-120
- Rod control 3YA-110
- 3YA-120
- 3YA-140
- 8B-120
- 8B-140

**On request:**

- Key of round cylinder not removable in open position
- Other inserts

# Swinghandle\* 1155 with combination lock with universal dish

## PROGRAM 1150

Swinghandle with two locking options. For single point or multiple point locking system.



**Option 1:**  
Release using round cylinder. Operation as with usual swinghandles of Program 1150. The combination lock remains untouched.

**Option 2:**  
Release using combination lock and wing knob. The round cylinder remains locked. The arrow on the wing knob indicates the opened or closed position.



1 Quarter turns



2 Rod controls



3 Locking systems

4 Hinges

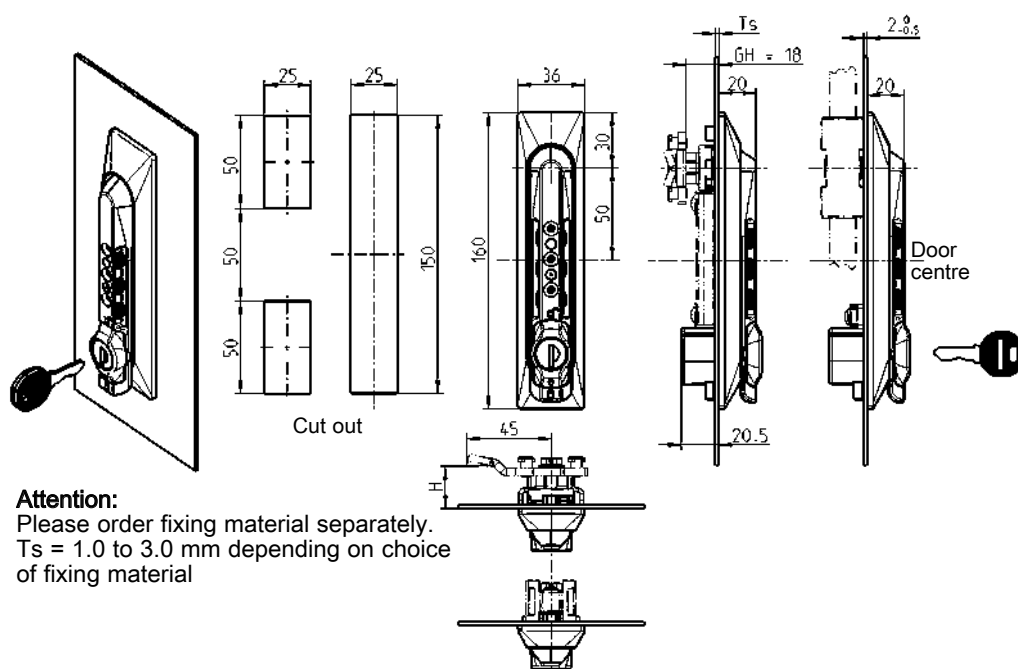
5 Seals

6 Handles

7 Aluminium windows

8 Miscellaneous

9 Special catalogues



**Attention:**  
Please order fixing material separately.  
Ts = 1.0 to 3.0 mm depending on choice of fixing material

\* can be used for cut out of 1125/1225

**Further parts see page**

- Fixing material 3C-780
- Cams (GH = 18) 3YC-120
- Rod control 3YA-110
- 3YA-120
- 3YA-140
- Spare key 8B-140

**On request:**

- Key of round cylinder not removable in open position
- Other inserts

Swinghandle polyamide GF black, shaft zinc die zinc-plated, with seal, round cylinder with stainless steel cap and shutter. Each round cylinder has one silver steel key with grip polyamide GF black

keyed EK 333

1155-U1-11

keyed different

1155-U2-11

Info

1 Quarter turns



2 Rod controls



3 Locking systems



4 Hinges



5 Seals

6 Handles

7 Aluminium windows

8 Miscellaneous

9 Special catalogues

Index

Fixing material for swinghandle with cam



Hook and bridge polyamide black, adapter zinc die zinc-plated, fixing material m.s. zinc-plated

|          |             |
|----------|-------------|
| Ts = 1.0 | 1150-U50-01 |
| Ts = 2.0 | 1150-U50-02 |
| Ts = 3.0 | 1150-U50-03 |

Fixing material for swinghandle with rod control



Hook polyamide GF black, fixing material m.s. zinc-plated

|                          |             |
|--------------------------|-------------|
| Ts = 1.0                 | -           |
| Ts = 2.0 <sub>-0.5</sub> | 1150-U51-02 |
| Ts = 3.0                 | -           |



Bridge polyamide GF black, adapter zinc die zinc-plated, fixing material m.s. zinc-plated

|                 |          |
|-----------------|----------|
| Ts = 1.0 to 3.0 | 1150-U52 |
|-----------------|----------|



Bridge polyamide GF black, fixing material m.s. zinc-plated

|                          |          |
|--------------------------|----------|
| Ts = 2.0 <sub>-0.5</sub> | 1150-U53 |
|--------------------------|----------|



Adapter zinc die zinc-plated, mounting rail and fixing material m.s. zinc-plated

|                 |          |
|-----------------|----------|
| Ts = 1.0 to 2.0 | 1150-U54 |
|-----------------|----------|

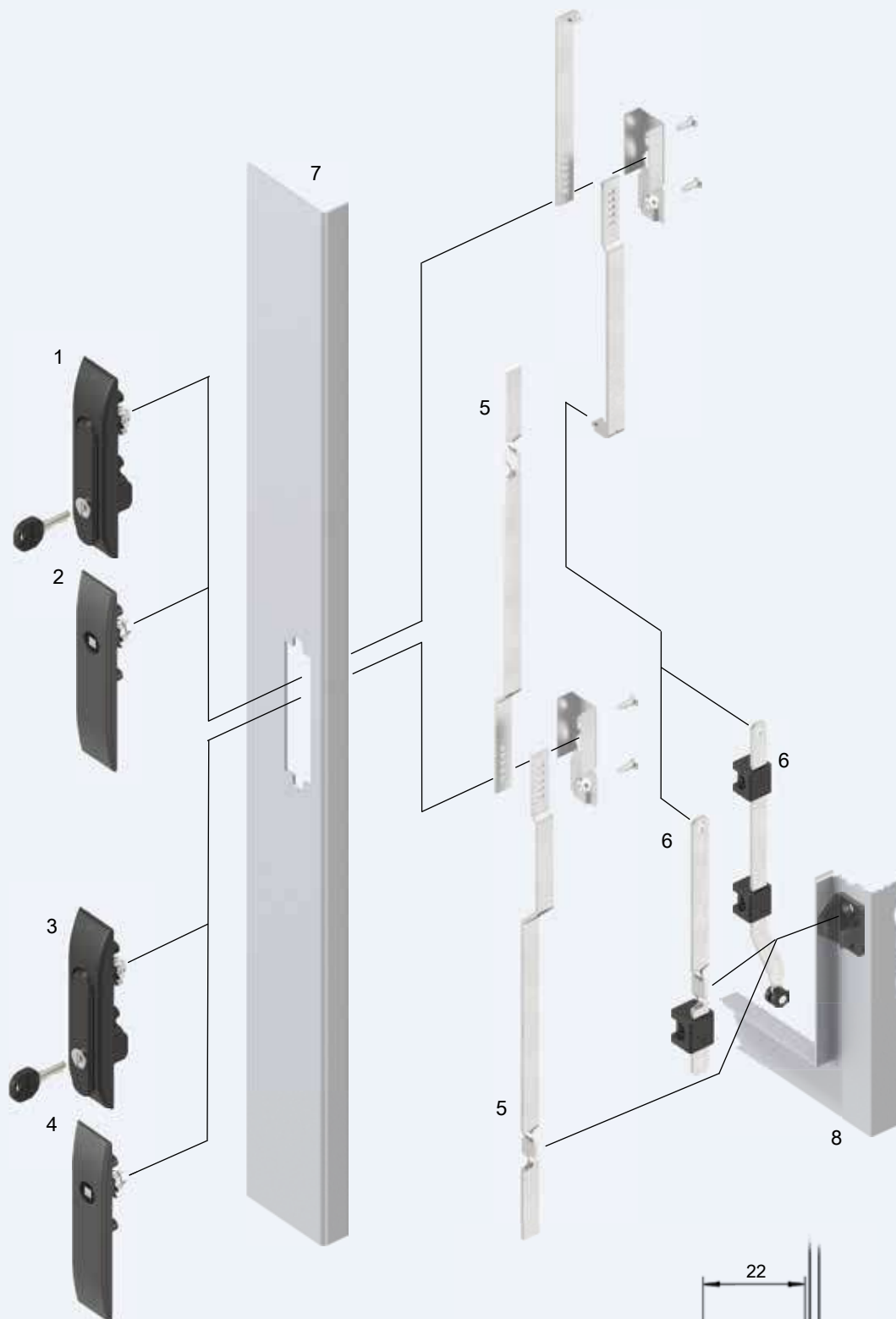
**Further parts see page**

- Swinghandle with universal dish
  - Cams (GH = 18)
  - Rod control
- to
- 3C-720
  - 3C-750
  - 3YC-120
  - 3YA-110
  - 3YA-120
  - 3YA-140

**On request:**

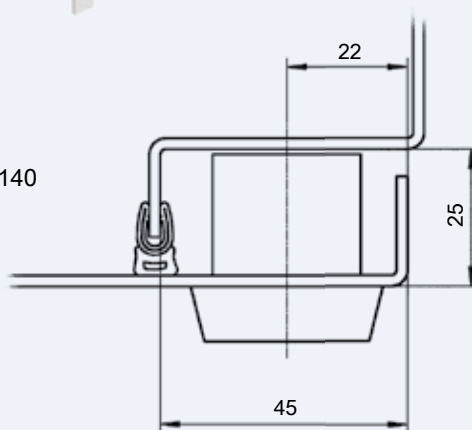
- Further door thicknesses Ts

# Swinghandle and Escutcheon Program 1160



- 1 Swinghandle
- 2 Escutcheon
- 3 Swinghandle
- 4 Escutcheon
- 5 Rod
- 6 Rod
- 7 Door
- 8 Housing / Frame

3D-120, 3D-140  
 3D-120  
 3D-220  
 3D-220



## 3D-100

Info

1 Quarter turns

2 Rod controls

3 Locking systems

4 Hinges

5 Seals

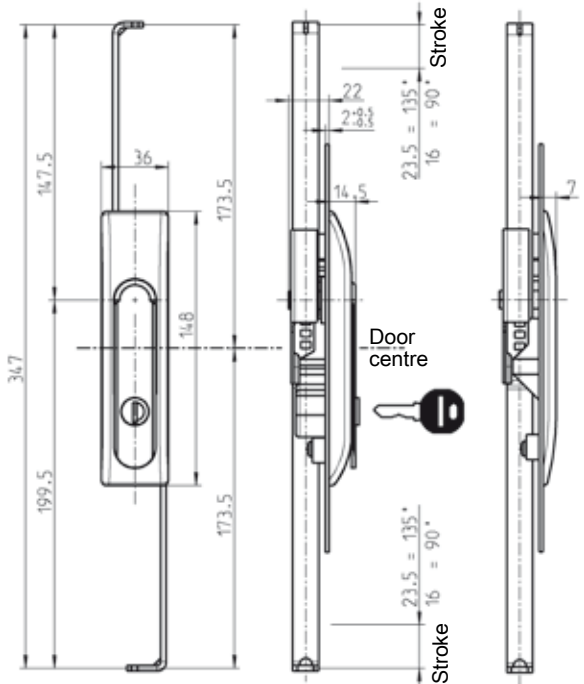
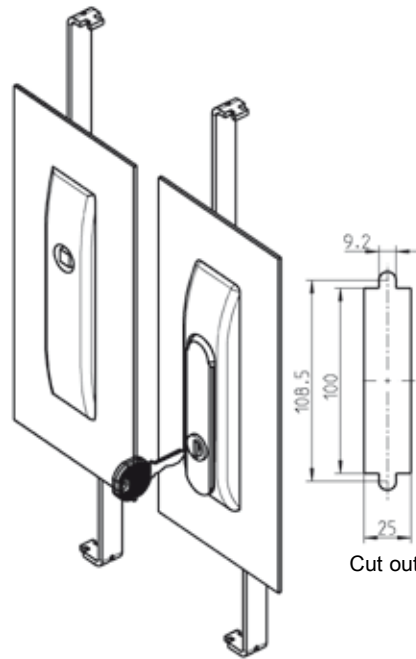
6 Handles

7 Aluminium windows

8 Miscellaneous

9 Special catalogues

Index



Turn = Stroke  
135° = 23.5 mm  
90° = 16 mm

Swinghandle zinc die black powder-coated, shaft material of choice, rods m.s. zinc-plated, fixing material m.s. zinc-plated, shaft zinc die zinc-plated, with seal, round cylinder zinc die with stainless steel cap and shutter, insert zinc die chrome-plated, push button housing polyamide black, push button polyamide grey. Each round cylinder has one silver steel key with grip polyamide GF black

Escutcheon polyamide GF black, insert zinc die chrome-plated, rods m.s. zinc-plated, fixing material m.s. zinc-plated, with seal

|                 | Escutcheon |          |
|-----------------|------------|----------|
|                 | Polyamide  | Zinc die |
| keyed EK 333    | 1160-U1    | 1160-U3  |
| keyed different | 1160-U2    | 1160-U4  |

| with mask    |          |
|--------------|----------|
| Double bit 3 | 1160-U52 |
| Double bit 5 | 1160-U53 |
| FIAT         | 1160-U64 |

|                              |          |          |
|------------------------------|----------|----------|
| Square 6                     | 1160-U9  | 1160-U20 |
| Square 7                     | 1160-U10 | 1160-U21 |
| Square 8                     | 1160-U11 | 1160-U22 |
| Triangular 6.5 CNOMO         | 1160-U32 | 1160-U31 |
| Triangular 7                 | 1160-U12 | 1160-U23 |
| Triangular 8                 | 1160-U13 | 1160-U24 |
| Double bit 3                 | 1160-U14 | 1160-U25 |
| Double bit 5                 | 1160-U15 | 1160-U26 |
| Daimler Benz                 | 1160-U16 | 1160-U27 |
| Slot 2x4                     | 1160-U17 | 1160-U28 |
| Hexagon female SW 8 with pin | 1160-U18 | 1160-U29 |
| Hexagon male SW 11           | 1160-U19 | 1160-U30 |
| Push button                  | 1160-U35 | 1160-U36 |

| without mask                      |          |
|-----------------------------------|----------|
| Square 6                          | 1160-U54 |
| Square 7                          | 1160-U55 |
| Square 8                          | 1160-U56 |
| Triangular 6.5 CNOMO              | 1160-U65 |
| Triangular 7                      | 1160-U57 |
| Triangular 8                      | 1160-U58 |
| Square female 8                   | 1160-U63 |
| Daimler Benz                      | 1160-U59 |
| Slot 2x4                          | 1160-U60 |
| Double bit 3                      | 1160-U61 |
| Double bit 5                      | 1160-U62 |
| Eastern Europe<br>Ø 13 half-round | 1160-U66 |

#### Further parts see page

– Rod

- outside
- inside
- inside

3ZA-120  
3ZA-320  
3ZB-120  
3ZB-220  
8B-140

– Spare key

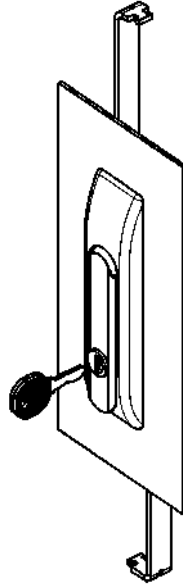
**3D-120** 01/10

(3M-120)

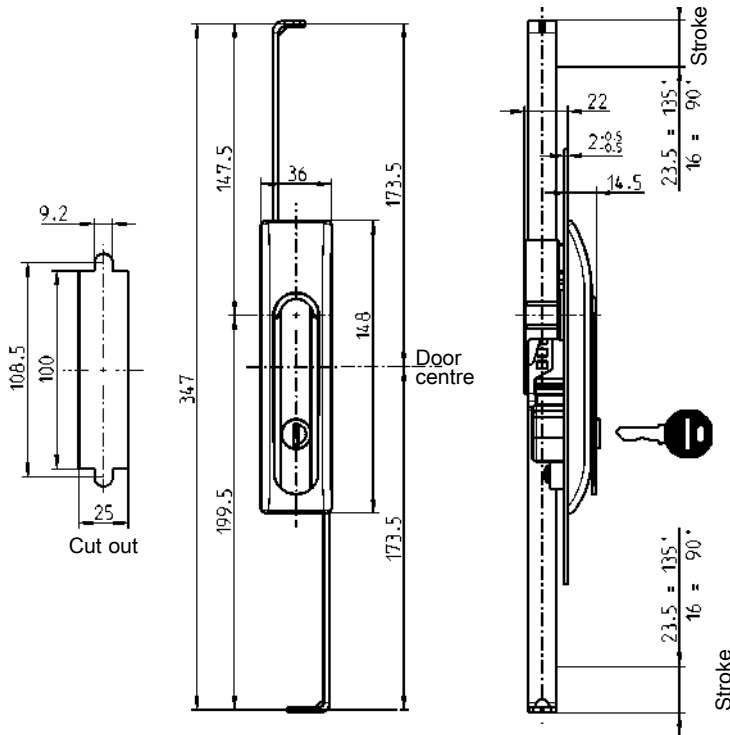
# Swinghandle with rods

## PROGRAM 1160

Swinghandle for pre-assembled rod control



Turn = Stroke  
 135° = 23.5 mm  
 90° = 16 mm



Swinghandle zinc die black powder-coated, shaft material of choice, rods m.s. zinc-plated, fixing material m.s. zinc-plated, shaft zinc die zinc-plated, with seal, round cylinder zinc die with stainless steel cap and shutter, insert zinc die chrome-plated, push button housing polyamide black, push button polyamide grey.

Each round cylinder has one silver steel key with grip polyamide GF black

### Escutcheon

|  | Escutcheon |              |
|--|------------|--------------|
|  | Polyamide  | Zinc die     |
| keyed EK 333   | 1160-U201  | 1160-U203    |
| keyed different  | 1160-U202  | 1160-U204    |
| Push button  | 1160-U235  | 1160-U236    |
| <b>Rod control polyamide GF black, rods m.s. zinc-plated</b> |            |              |
| RH version   |            | 1160-U200-RE |
| LH version   |            | 1160-U200-LI |

### Further parts see page

– Rod

-  outside
-  inside
-  inside

– Spare key

- 3ZA-120
- 3ZA-320
- 3ZB-120
- 3ZB-220
- 8B-140

Info

1 Quarter turns

2 Rod controls

3 Locking systems

4 Hinges

5 Seals

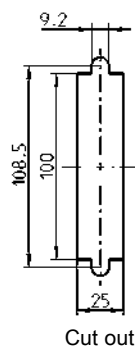
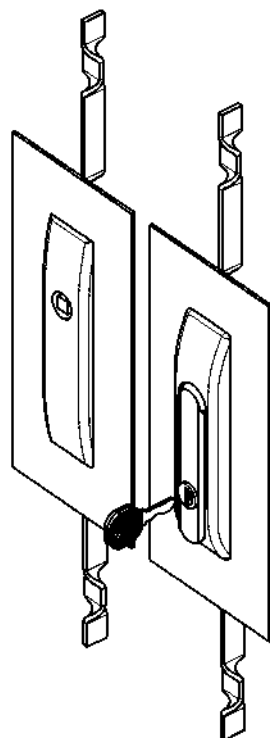
6 Handles

7 Aluminium windows

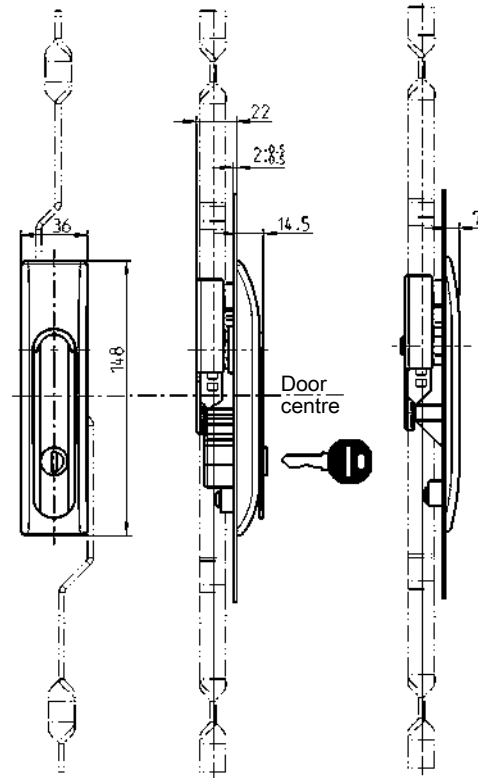
8 Miscellaneous

9 Special catalogues

Index



Cut out



Door centre

Swinghandle zinc die black powder-coated, escutcheon material of choice, fixing material m.s. zinc-plated, shaft zinc die zinc-plated, with seal, round cylinder zinc die with stainless steel cap and shutter, insert zinc die chrome-plated, push button housing polyamide black, push button polyamide grey. Each round cylinder has one silver steel key with grip polyamide GF black

Escutcheon polyamide GF black, insert zinc die chrome-plated, rods m.s. zinc-plated, fixing material m.s. zinc-plated, with seal

#### Escutcheon

|                              | Escutcheon |           |
|------------------------------|------------|-----------|
|                              | Polyamide  | Zinc die  |
| keyed EK 333                 | 1160-U101  | 1160-U103 |
| keyed different              | 1160-U102  | 1160-U104 |
| Square 6                     | 1160-U109  | 1160-U120 |
| Square 7                     | 1160-U110  | 1160-U121 |
| Square 8                     | 1160-U111  | 1160-U122 |
| Triangular 6.5 CNOMO         | 1160-U132  | 1160-U131 |
| Triangular 7                 | 1160-U112  | 1160-U123 |
| Triangular 8                 | 1160-U113  | 1160-U124 |
| Double bit 3                 | 1160-U114  | 1160-U125 |
| Double bit 5                 | 1160-U115  | 1160-U126 |
| Daimler Benz                 | 1160-U116  | 1160-U127 |
| Slot 2x4                     | 1160-U117  | 1160-U128 |
| Hexagon female SW 8 with pin | 1160-U118  | 1160-U129 |
| Hexagon male SW 11           | 1160-U119  | 1160-U130 |
| Push button                  | 1160-U135  | 1160-U136 |

#### with mask

|              |           |
|--------------|-----------|
| Double bit 3 | 1160-U152 |
| Double bit 5 | 1160-U153 |
| FIAT         | 1160-U164 |

#### without mask

|                                   |           |
|-----------------------------------|-----------|
| Square 6                          | 1160-U154 |
| Square 7                          | 1160-U155 |
| Square 8                          | 1160-U156 |
| Triangular 6.5 CNOMO              | 1160-U165 |
| Triangular 7                      | 1160-U157 |
| Triangular 8                      | 1160-U158 |
| Square female 8                   | 1160-U163 |
| Daimler Benz                      | 1160-U159 |
| Slot 2x4                          | 1160-U160 |
| Double bit 3                      | 1160-U161 |
| Double bit 5                      | 1160-U162 |
| Eastern Europe<br>Ø 13 half-round | 1160-U166 |

Further parts see page

– Rod

outside

3ZA-420

– Spare key

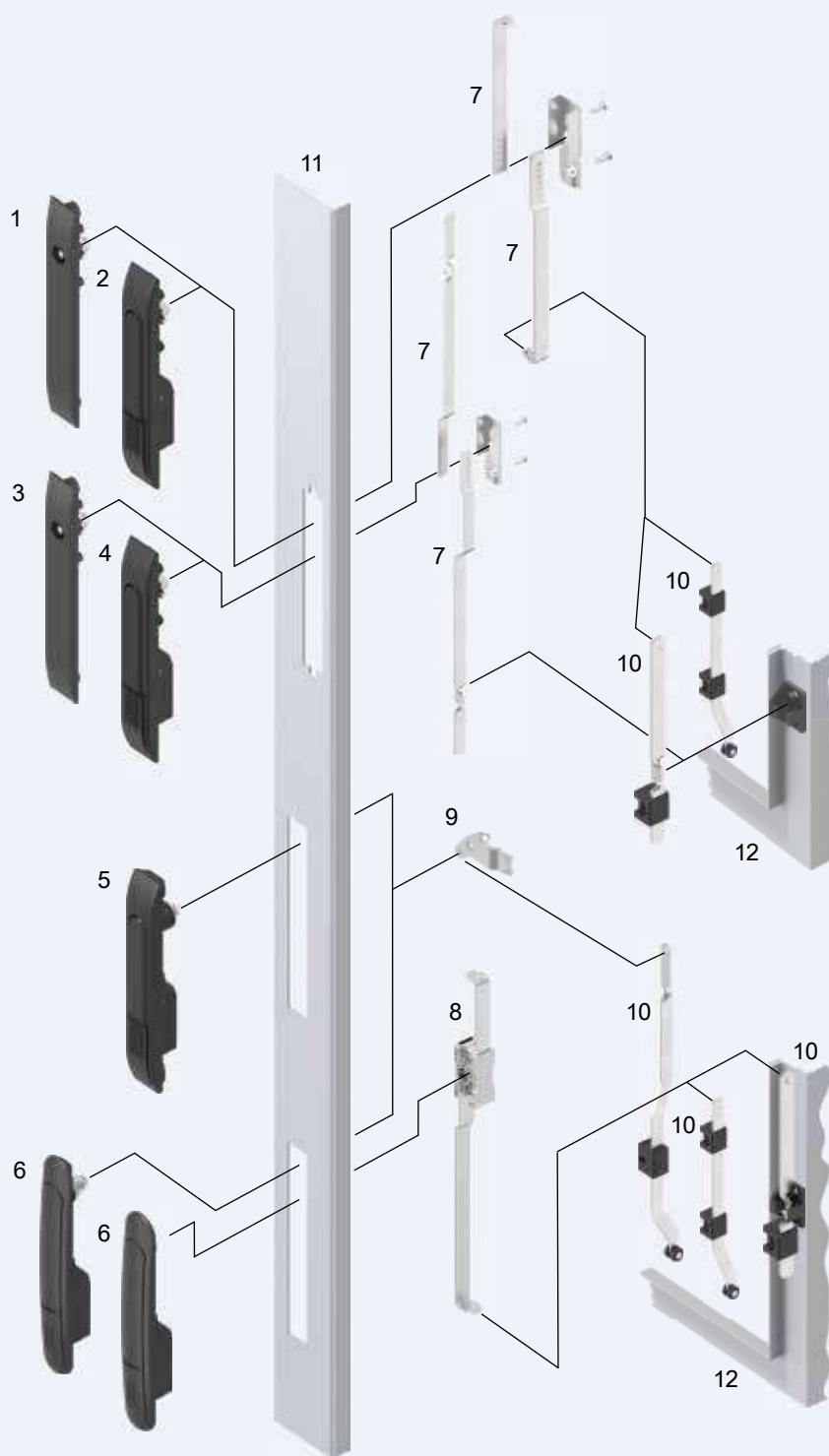
8B-140

3D-220 01/10

(3M-160)

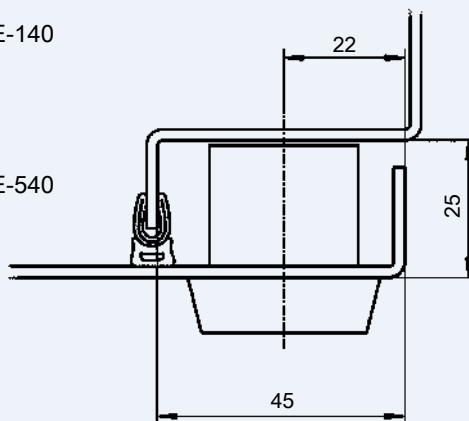


# Swinghandle and Escutcheon Program 1180



- 1 Escutcheon
- 2 Swinghandle 1180
- 3 Escutcheon
- 4 Swinghandle 1180
- 5 Swinghandle 1180
- 6 Swinghandle 1185
- 7 Rod
- 8 Rod control
- 9 Cam
- 10 Rod
- 11 Door
- 12 Housing / Frame

- 3E-120
- 3E-120, 3E-140
- 3E-220
- 3E-220
- 3E-320
- 3E-520, 3E-540



## 3E-100

Info

1 Quarter turns



2 Rod controls



3 Locking systems



4 Hinges

5 Seals

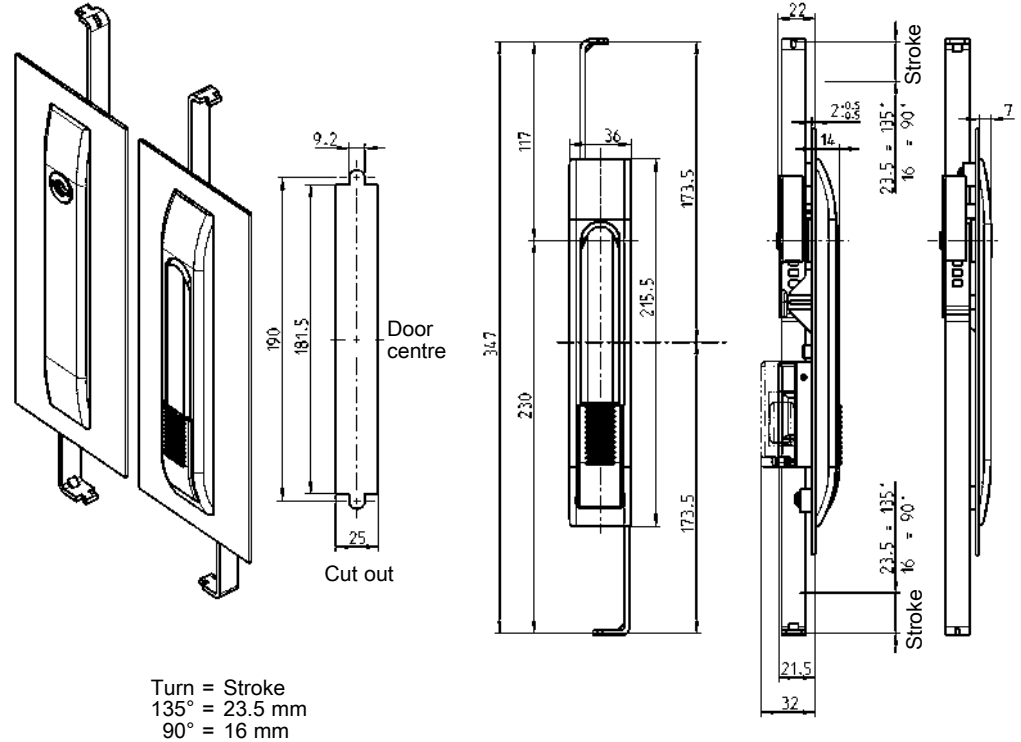
6 Handles

7 Aluminium windows

8 Miscellaneous

9 Special catalogues

Index



Turn = Stroke  
135° = 23.5 mm  
90° = 16 mm

Swinghandle polyamide GF black with push button (2100-U57),  
handle zinc die black, shaft zinc die zinc-plated, rods m.s. zinc-plated,  
fixing material m.s. zinc-plated, with seal

1180-U1

Escutcheon polyamide GF black, insert zinc die chrome-plated, rods m.s. zinc-plated,  
fixing material m.s. zinc-plated, with seal

with mask

Double bit 3

1180-U2

Double bit 5

1180-U3

FIAT

1180-U14

without mask

Square 6

1180-U4

Square 7

1180-U5

Square 8

1180-U6

Triangular 6.5 CNOMO

1180-U15

Triangular 7

1180-U7

Triangular 8

1180-U8

Square female 8

1180-U13

Daimler Benz

1180-U9

Slot 2x4

1180-U10

Double bit 3

1180-U11

Double bit 5

1180-U12




Eastern Europe Ø 13 half-round

1180-U16

#### Further parts see page

– Key 8B-120  
– Locking set 3XA-120  
3XA-240

– Locking set ELM  
Special catalogue Electronics

– Rod  
 outside 3ZA-120  
 inside 3ZA-320  
 inside 3ZB-120  
3ZB-220

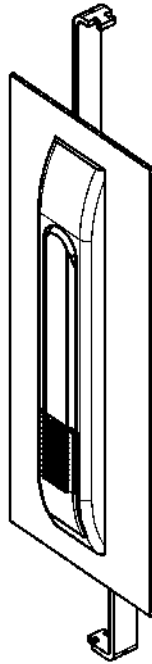
### 3E-120

(3P-120)

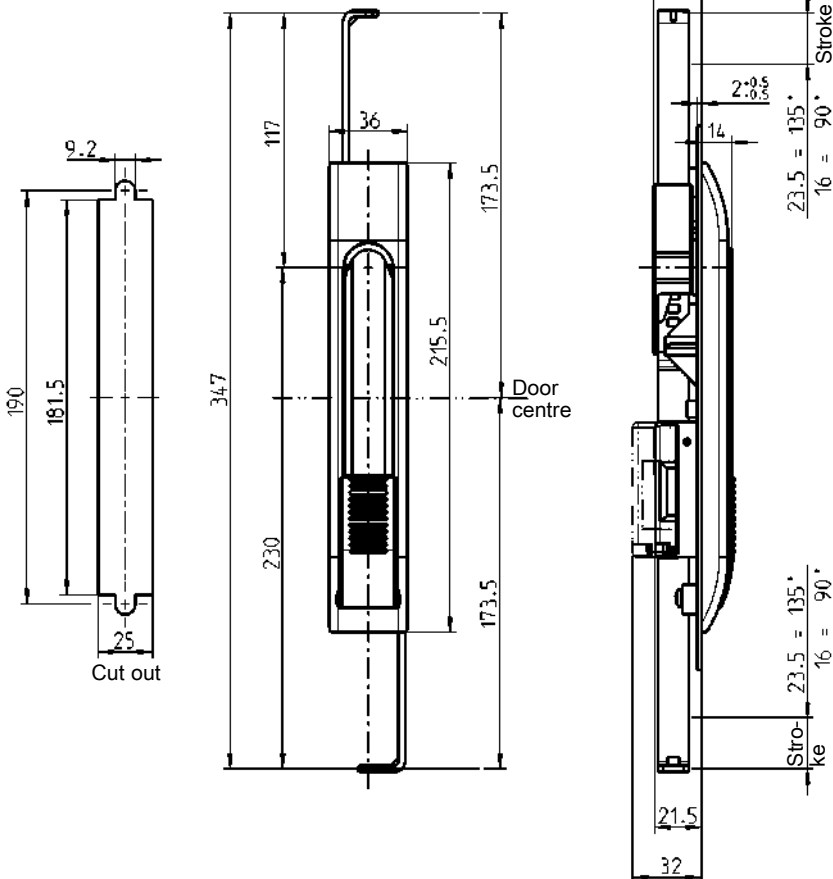
# Swinghandle 1180 with rods

## PROGRAM 1180

Swinghandle for pre-assembled rod control



Turn = Stroke  
 135° = 23.5 mm  
 90° = 16 mm



Swinghandle polyamide GF black with push button (2100-U57), handle zinc die black powder-coated, shaft zinc die zinc-plated, fixing material m.s. zinc-plated, with seal

1180-U301

Rod control polyamide GF black, rods m.s. zinc-plated

Right-hand version

1180-U200-RE

Left-hand version

1180-U200-LI

Further parts see page

– Locking set 3XA-120  
 3XA-240

– Locking set ELM  
 Special catalogue Electronics

– Rod  
 outside 3ZA-120  
 inside 3ZA-320  
 inside 3ZB-120  
 3ZB-220

Info

1 Quarter turns



2 Rod controls



3 Locking systems



4 Hinges

5 Seals

6 Handles



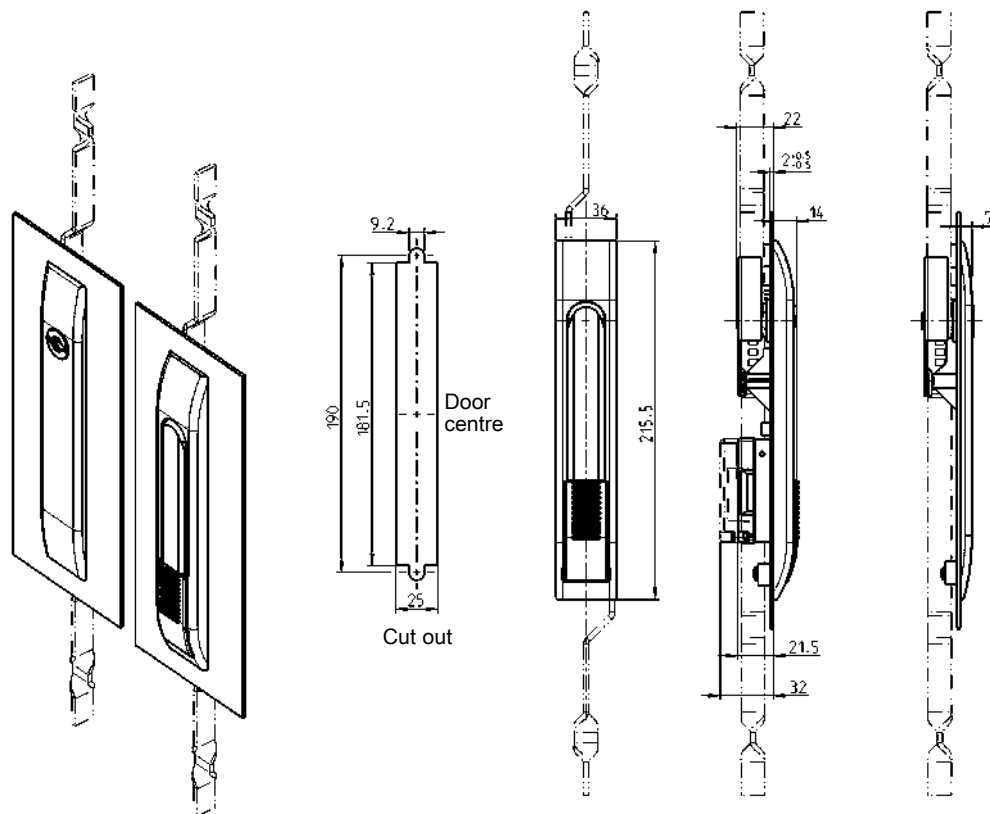
7 Aluminium windows

8 Miscellaneous

9 Special catalogues

#### Further parts see page

- Key 8B-120
- Locking set 3XA-120
- 3XA-240
- Locking set ELM
- Special catalogue Electronics
- Rod
- outside 3ZA-520



Swinghandle polyamide GF black with push button (2100-U57), handle zinc die black powder-coated, shaft zinc die zinc-plated, fixing material m.s. zinc-plated, with seal

1180-U101

Escutcheon polyamide GF black, insert zinc die chrome-plated, fixing material m.s. zinc-plated, with seal

#### with mask

Double bit 3

1180-U102

Double bit 5

1180-U103

FIAT

1180-U114

#### without mask

Square 6

1180-U104

Square 7

1180-U105

Square 8

1180-U106

Triangular 6.5 CNOMO

1180-U115

Triangular 7

1180-U107

Triangular 8

1180-U108

Square female 8

1180-U113

Daimler Benz

1180-U109

Slot 2x4

1180-U110

Double bit 3

1180-U111

Double bit 5

1180-U112

Eastern Europe Ø 13 half-round

1180-U116

### 3E-220

(3P-160)

Index

# Swinghandle 1180 with 3-point-locking system

## PROGRAM 1180

# EMKA

Info

## Beschlagteile



1 Quarter turns

2 Rod controls

3 Locking systems

4 Hinges

5 Seals

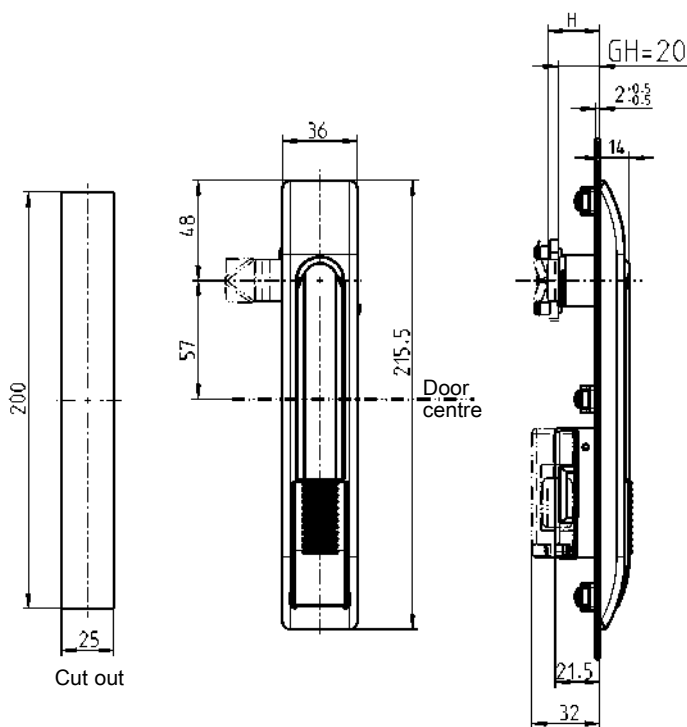
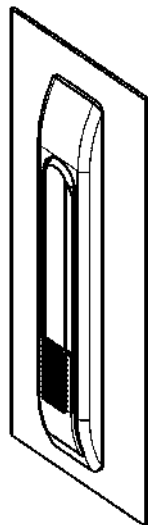
6 Handles

7 Aluminium windows

8 Miscellaneous

9 Special catalogues

Index



Swinghandle polyamide GF black with push button (2100-U57), handle zinc die black powder-coated, shaft zinc die zinc-plated, fixing material m.s. zinc-plated, fixing bridges polyamide GF. black, with seal

1180-U201

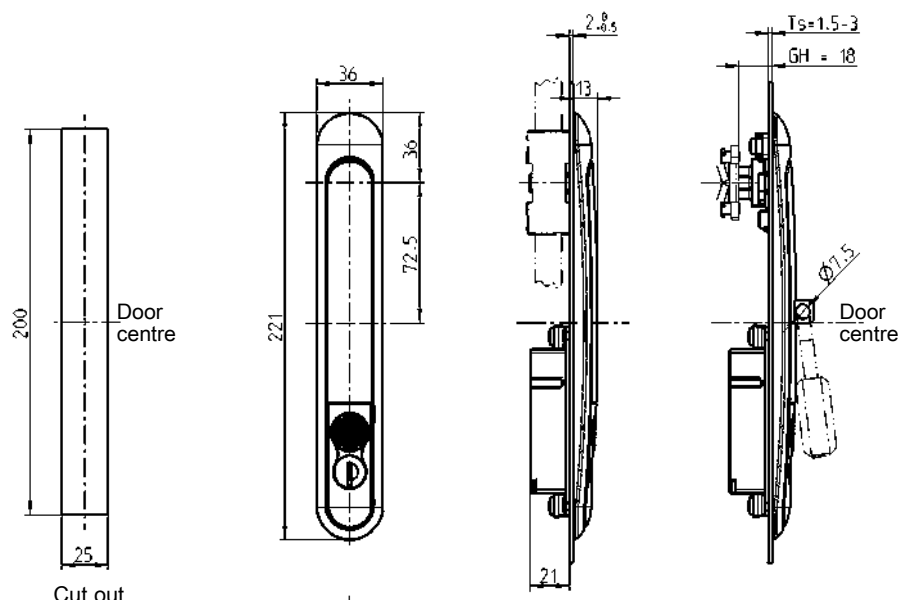
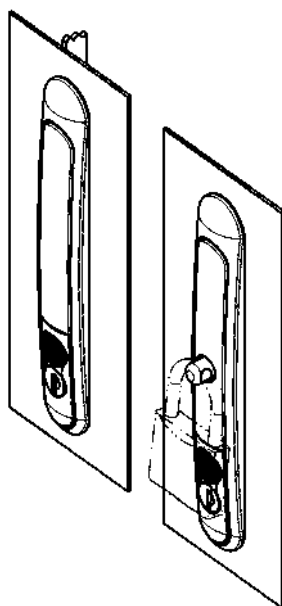
Further parts see page

- Locking set 3XA-120
- 3XA-240
- Locking set ELM
- Special catalogue Electronics
- Cam (GH = 20) 3YC-140



# Swinghandle with push button 1185 for cam or rod control

PROGRAM 1180



### Product benefits

- Use of rod control or cam possible
- Protection against vandalism by recessed operating elements
- Additional locking possible by means of a padlock

Swinghandle for rod control handle, escutcheon and push button zinc die black powder-coated; padlock stud AISI 303; shaft zinc die; round cylinder zinc die with stainless steel cap and dust cap; fixing material stainless steel; with seal. Each round cylinder has one key of m.s. nickel-plated.

|                                 |           |
|---------------------------------|-----------|
| keyed EK 333                    | 1185-U4   |
| keyed different                 | 1185-U4-V |
| keyed EK 333 and for padlock    | 1185-U5   |
| keyed different and for padlock | 1185-U5-V |

Adapter for cam zinc die zinc-plated; bridge polyamide GF V0 black; with fixing material

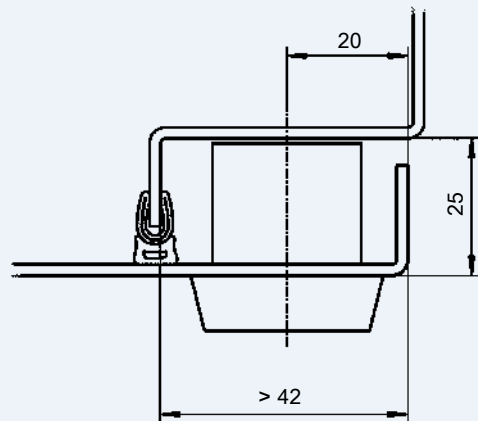
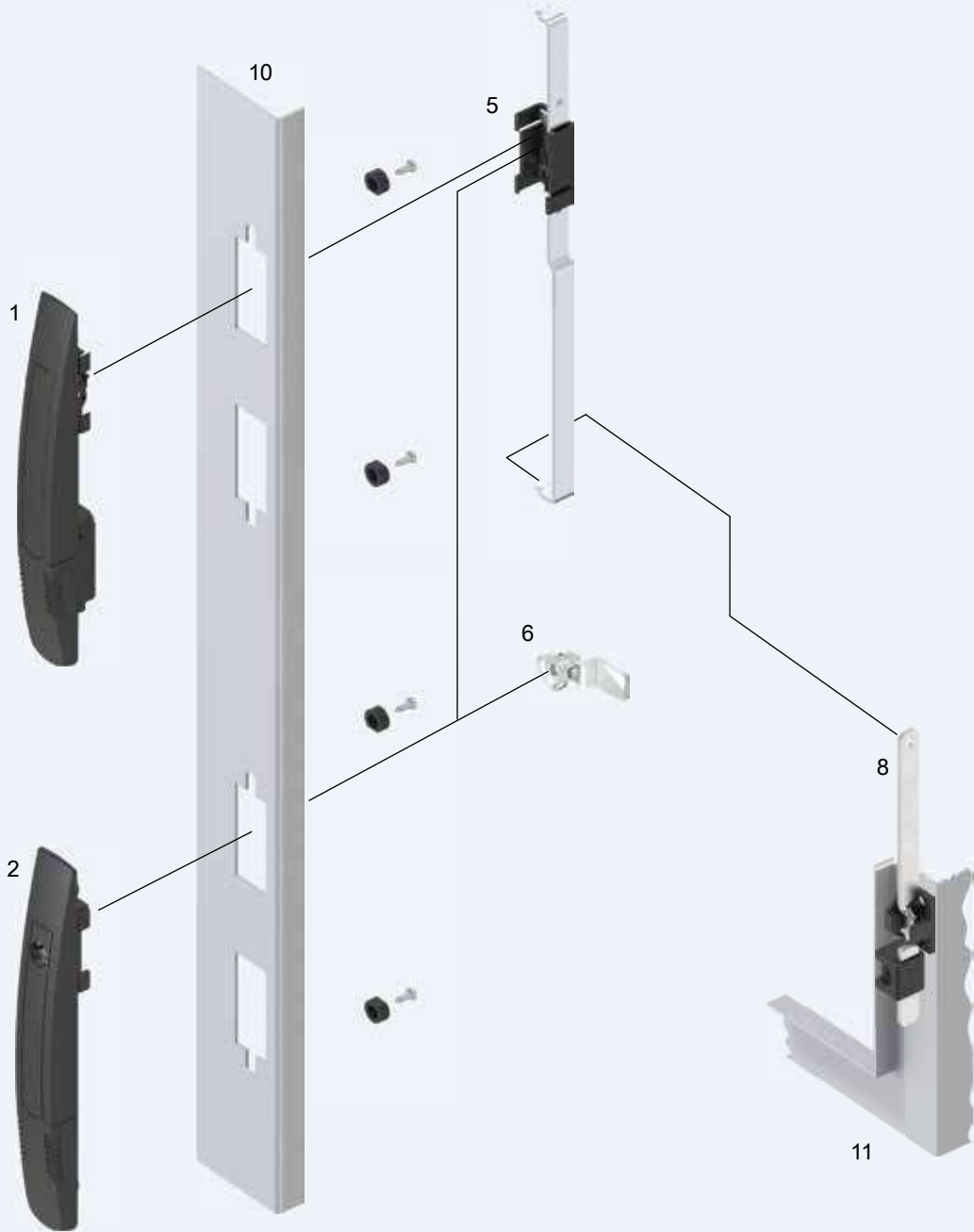
1185-U3



Further parts see page

- Cam (stroke = 26) 3YC-120
- Rod control 3YA-480

# Lifthandle and Escutcheon Program 1190



Info

1 Quarter turns

2 Rod controls

3 Locking systems

4 Hinges

5 Seals

6 Handles

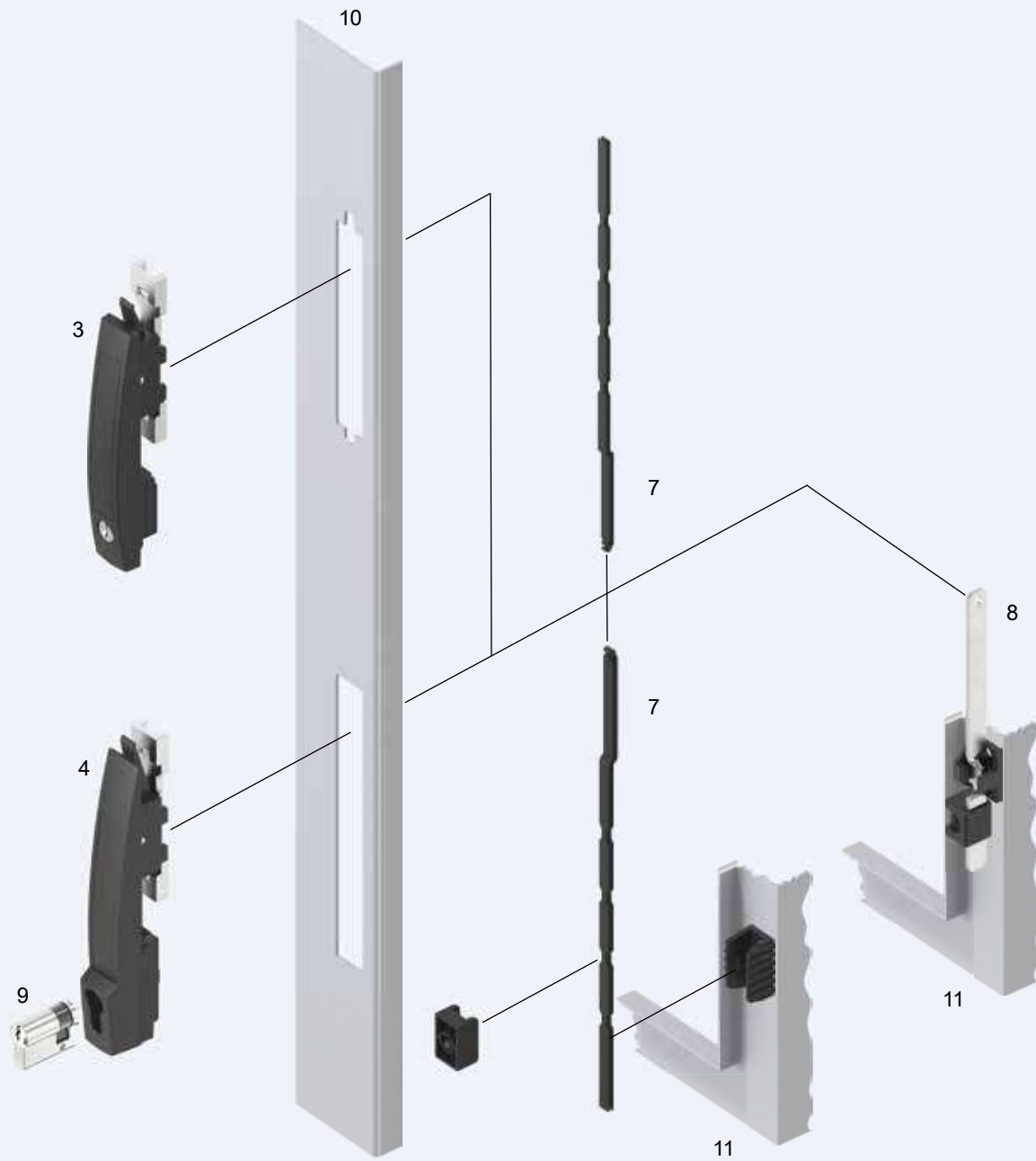
7 Aluminium windows

8 Miscellaneous

9 Special catalogues

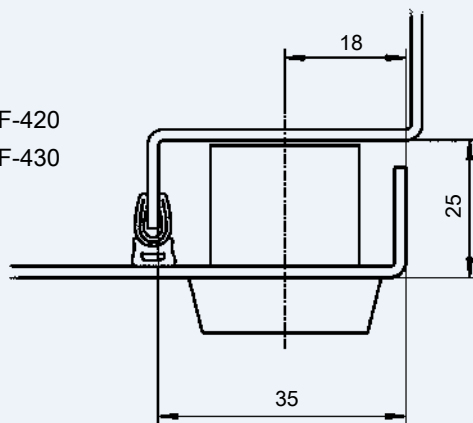
Index





- 1 Lifthandle
- 2 Escutcheon
- 3 Lifthandle
- 4 Lifthandle
- 5 Rod
- 6 Cam
- 7 Rod
- 8 Rod
- 9 Profile half cylinder
- 10 Door
- 11 Housing / Frame

3F-120  
 3F-220  
 3F-320, 3F-420  
 3F-330, 3F-430



# 3F-100

Info

1 Quarter turns

2 Rod controls

3 Locking systems

4 Hinges

5 Seals

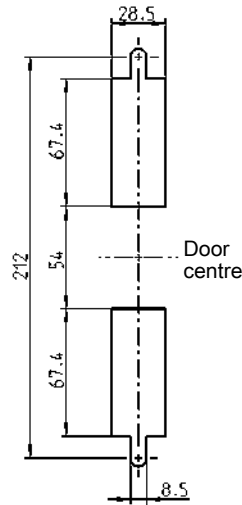
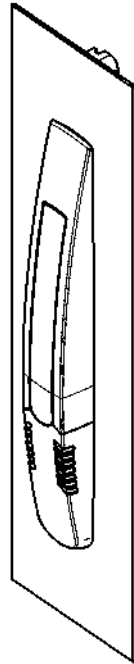
6 Handles

7 Aluminium windows

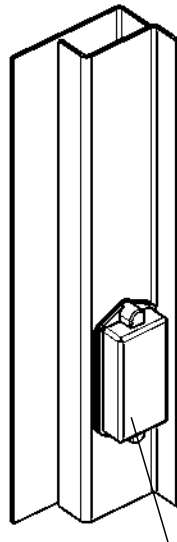
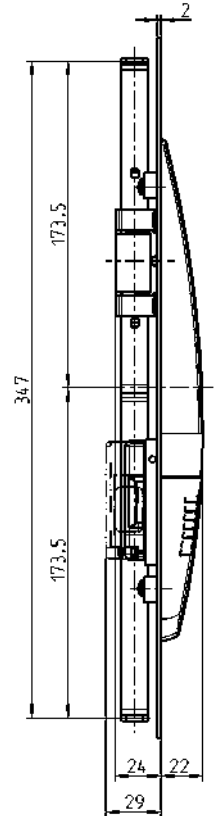
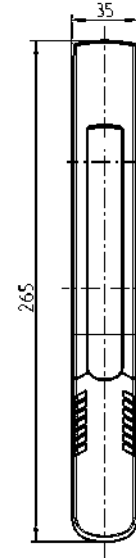
8 Miscellaneous

9 Special catalogues

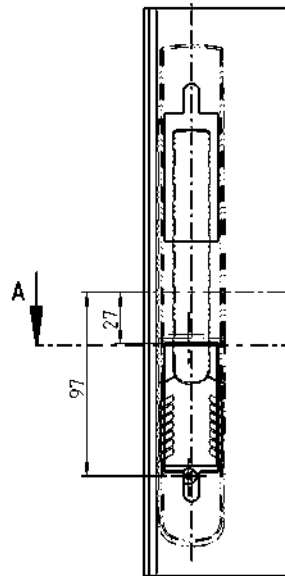
Index



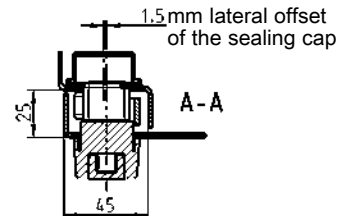
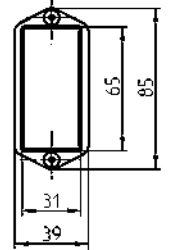
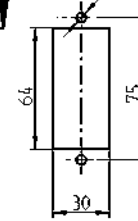
Cut out



Frame cover applicable outside the sealing



Cut out



**Note:**  
Frame cover only necessary for locking set from catalogue page 3XA-120

Rod movement is unidirectional  
Stroke 18 mm

Further parts see page

– Locking set 3XA-120  
3XA-240

– Rod

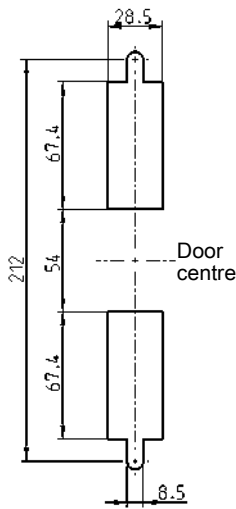
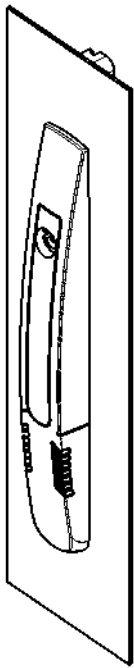
outside 3ZA-120  
3ZA-320

Lifthandle polyamide GF black, flat rod m.s. zinc-plated,  
push button polyamide black, fixing material m.s. zinc-plated

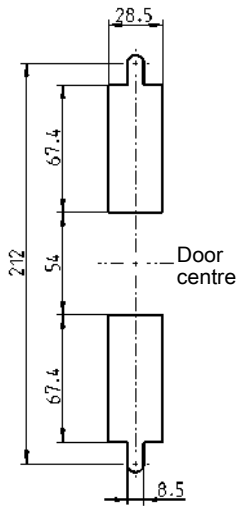
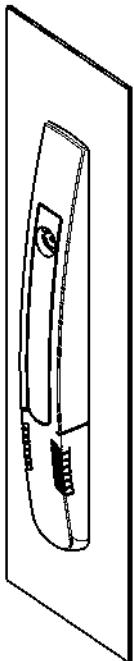
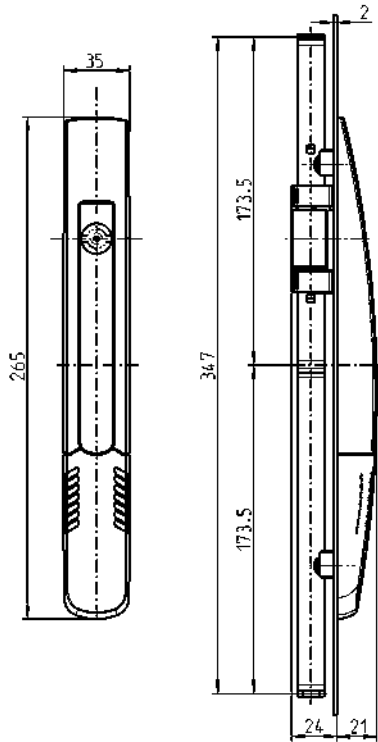
1190-U1

Frame cover polyamide GF black, screws m.s. zinc-plated,  
for LH and RH application, with seal

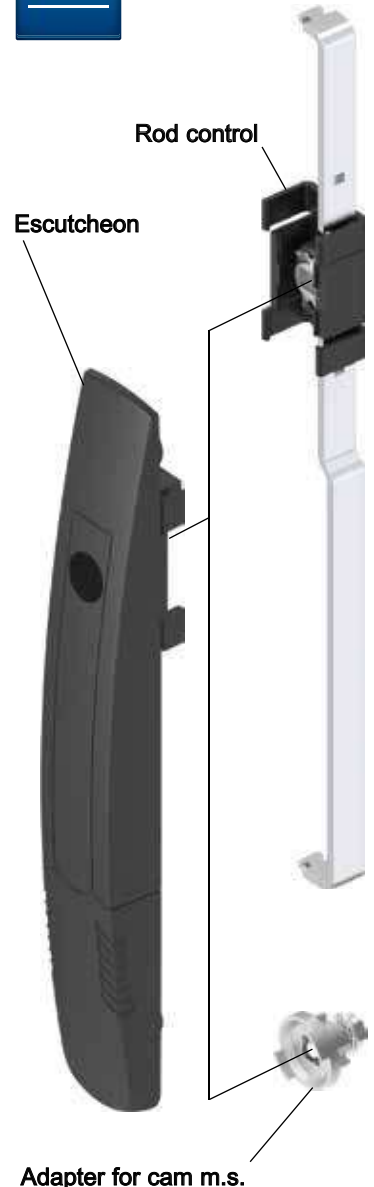
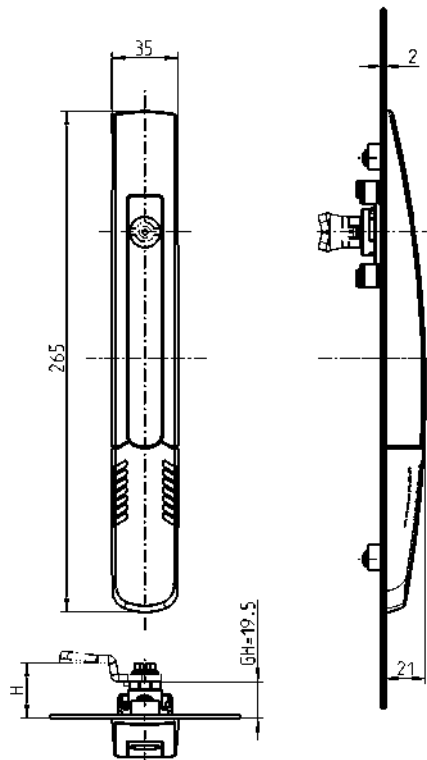
2100-U31



Cut out



Cut out



Adapter for cam m.s.

Rod movement is unidirectional  
Stroke 23.5 mm

Further parts see page  
– Rod

- outside 3ZA-120  
3ZA-320
- Insert 1B-140
- Cam (GH = 18) 1C-120

Note:  
When using the adapter for cam, the H-dimension increases by 1.5 mm

Escutcheon polyamide GF black, fixing material m.s. zinc-plated

1190-U3

Rod control polyamide GF black, rods m.s. zinc-plated

1190-U4

Adapter for cam m.s. zinc die, screw m.s. zinc-plated

1190-U5

Info

1 Quarter turns

2 Rod controls

3 Locking systems

4 Hinges

5 Seals

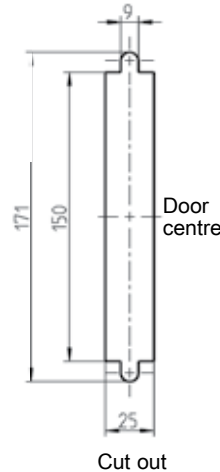
6 Handles

7 Aluminium windows

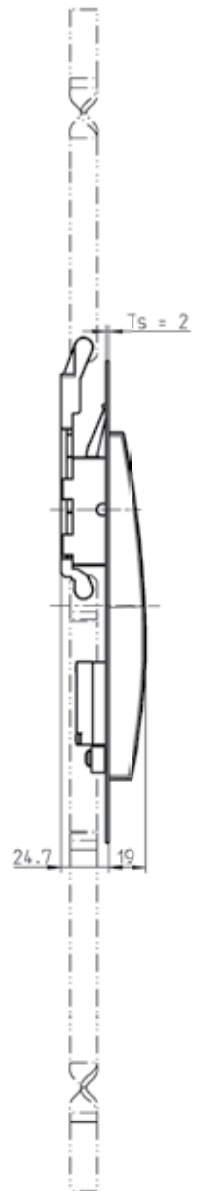
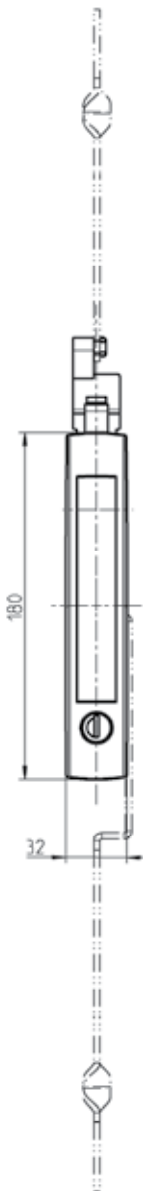
8 Miscellaneous

9 Special catalogues

Index



Cut out



Rod movement is unidirectional

Stroke 18 mm

Further parts see page  
– Rod

outside

3ZA-560

Lifthandle polyamide GF black, rod control zinc die, screw m.s. zinc-plated, round cylinder with stainless steel cap and dust cap. Each round cylinder has one silver steel key with grip polyamide GF black

keyed EK 333

1190-U206

keyed different

1190-U206-V

**Insert zinc die chrome-plated**

Square 6

1190-U209

Square 7

1190-U210

Square 8

1190-U211

Triangular 6.5 CNOMO

1190-U231

Triangular 7

1190-U212

Triangular 8

1190-U213

Double bit 3

1190-U214

Double bit 5

1190-U215

Daimler Benz

1190-U216

Slot 2x4

1190-U217

Hexagon female SW 8 with pin

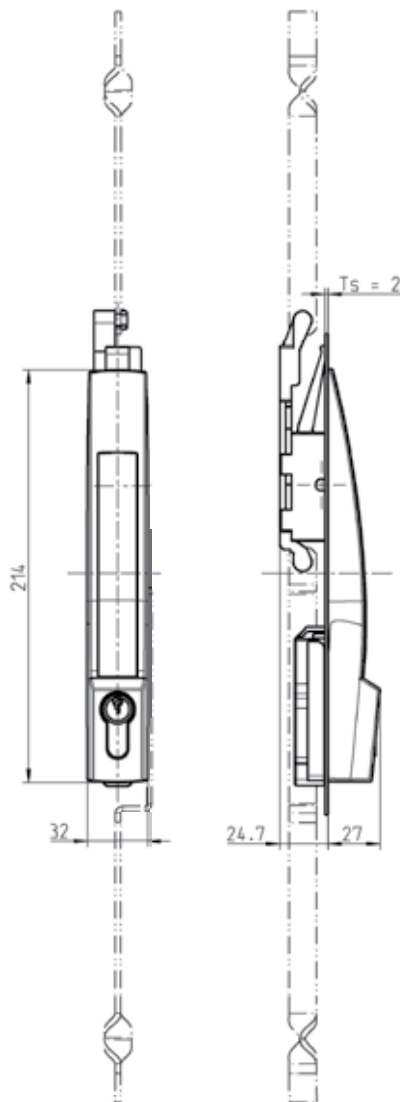
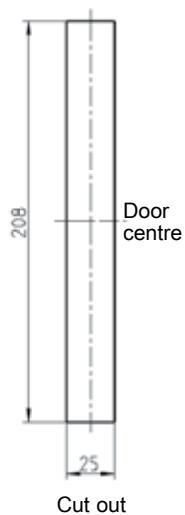
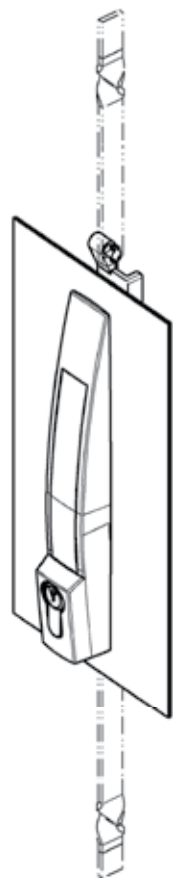
1190-U218

Hexagon male SW 11

1190-U219

# Lifthandle lock

## PROGRAM 1190



1 Quarter turns

2 Rod controls

3 Locking systems

4 Hinges

5 Seals

6 Handles

7 Aluminium windows

8 Miscellaneous

9 Special catalogues


Index



**Note:**  
Profile half cylinder 40 mm (A = 30 mm), set locking cam at 11 o'clock.

Rod movement is unidirectional  
Stroke 18 mm

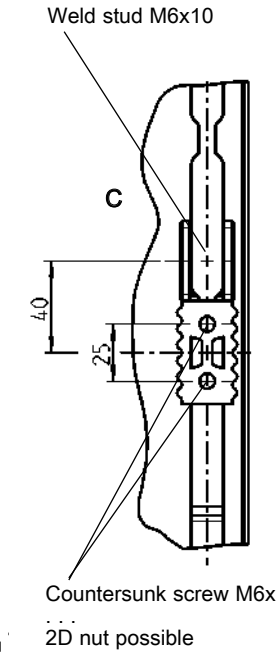
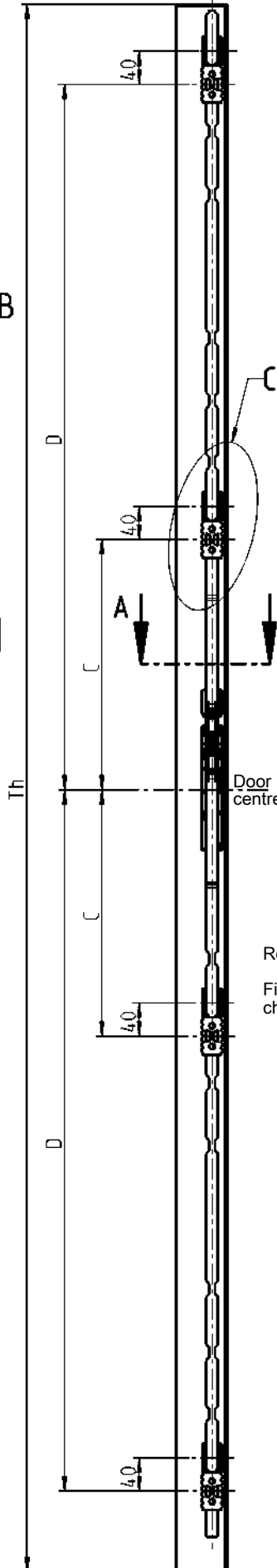
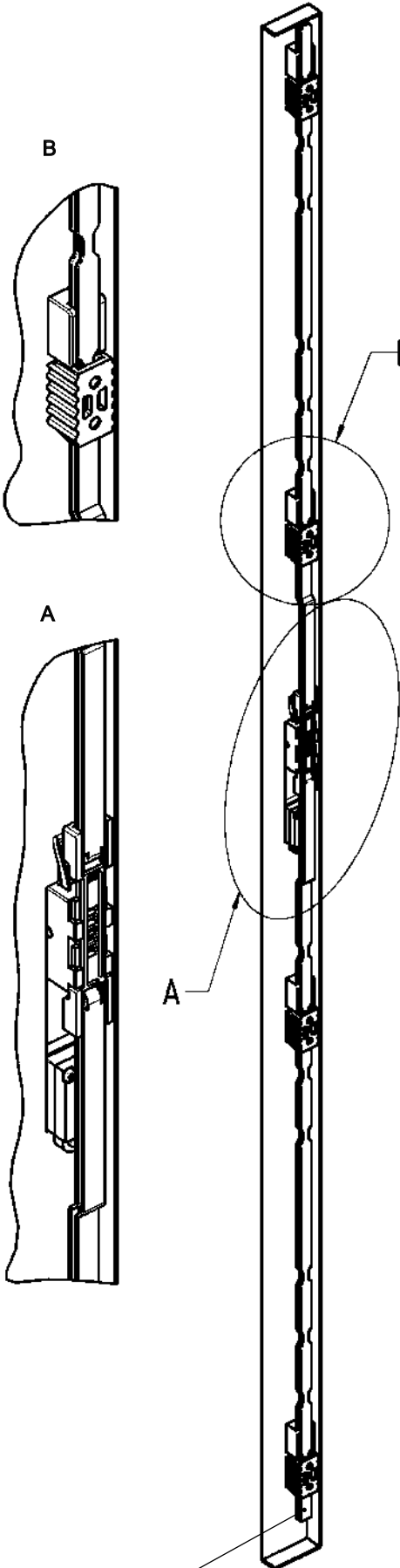
Further parts see page

- Rod  outside 3ZA-560
- Profile half cylinder 3XB-320

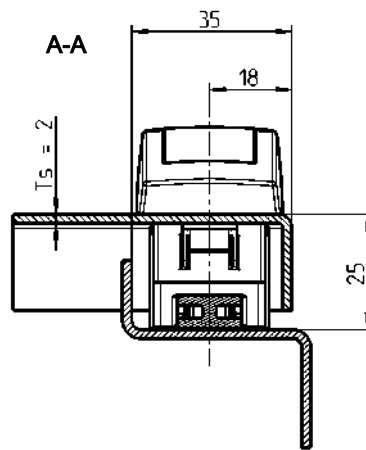
Lifthandle polyamide GF black,  
rod control zinc die, screw m.s. zinc-plated

1190-U306

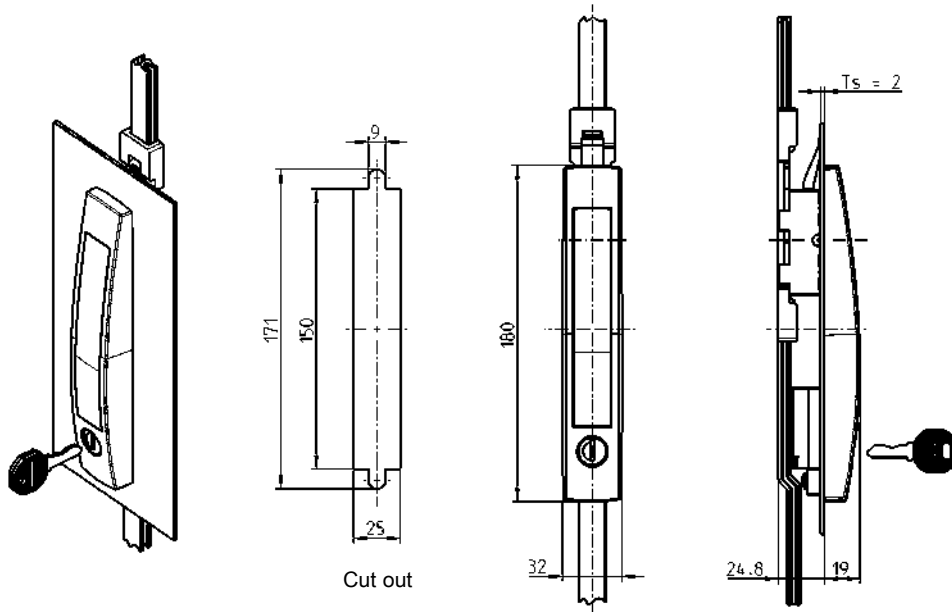
# Complete lifthandle locking system PROGRAM 1190



Rod movement is unidirectional  
Fixing material for the rod guide and catches are not included in scope of delivery



Rods have to be cut according to the height of the door!



Lifthandle polyamide GF black, rod control zinc die, 2 rods polyamide GF black, number of choice clip-in rod guides plastic black for weld stud M6x10, number of choice catches polyamide GF black for countersunk screw M6, screw m.s. zinc-plated, round cylinder with stainless steel cap and dust protection. Each round cylinder has one silver steel key with grip polyamide GF black

| Quantity rod guides and catches | 2         | 4         |
|---------------------------------|-----------|-----------|
| keyed EK 333                    | 1190-U7   | 1190-U6   |
| keyed different                 | 1190-U7-V | 1190-U6-V |

### Insert zinc die chrome-plated

|                              |          |          |
|------------------------------|----------|----------|
| Square 6                     | 1190-U20 | 1190-U9  |
| Square 7                     | 1190-U21 | 1190-U10 |
| Square 8                     | 1190-U22 | 1190-U11 |
| Triangular 6.5 CNOMO         | 1190-U32 | 1190-U31 |
| Triangular 7                 | 1190-U23 | 1190-U12 |
| Triangular 8                 | 1190-U24 | 1190-U13 |
| Double bit 3                 | 1190-U25 | 1190-U14 |
| Double bit 5                 | 1190-U26 | 1190-U15 |
| Daimler Benz                 | 1190-U27 | 1190-U16 |
| Slot 2x4                     | 1190-U28 | 1190-U17 |
| Hexagon female SW 8 with pin | 1190-U29 | 1190-U18 |
| Hexagon male SW 11           | 1190-U30 | 1190-U19 |

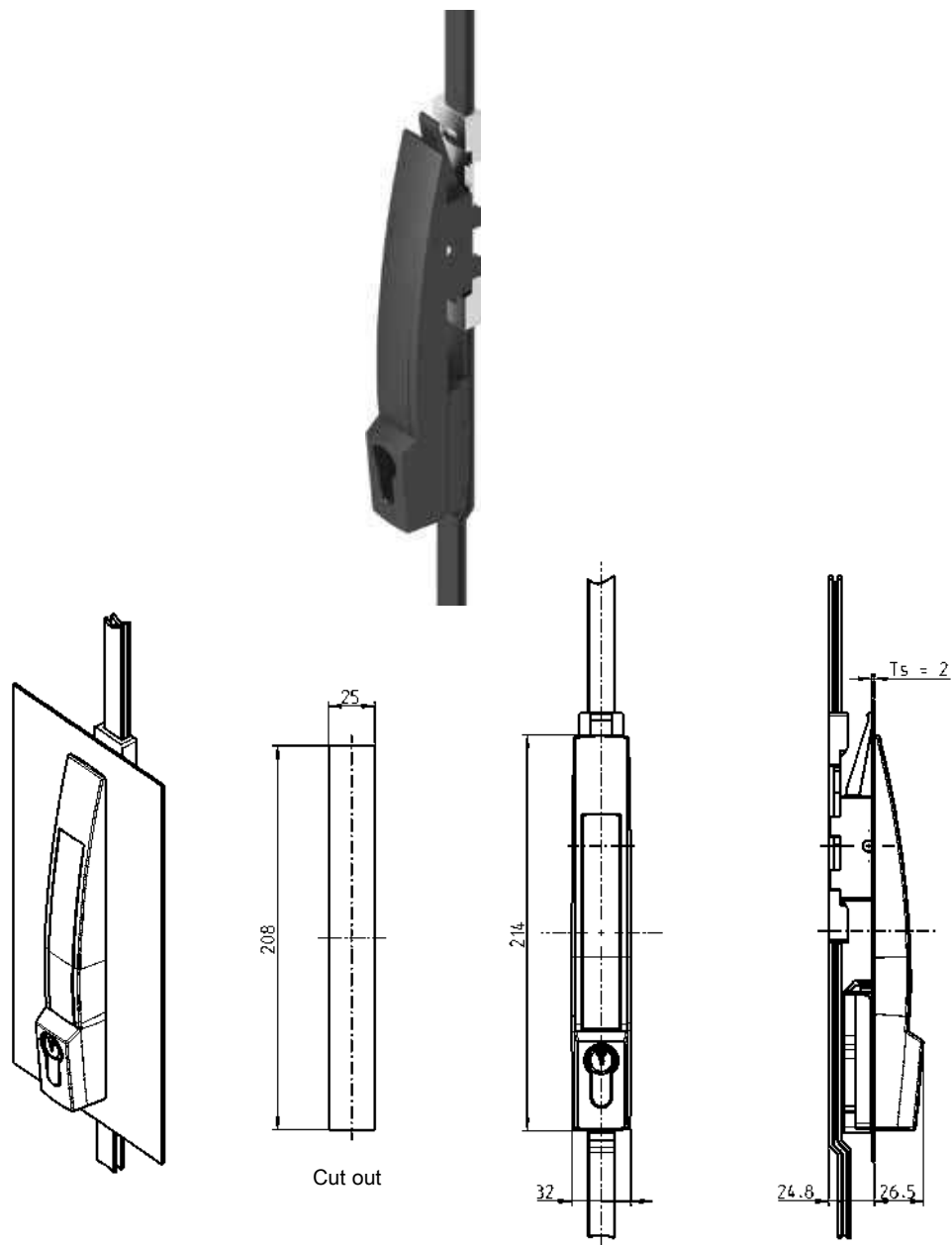
| Door height Th | Dim. C | Dim. D |
|----------------|--------|--------|
| 800 - 1200     | -      | 300    |
| 1200 - 1600    | -      | 450    |
| 1600 - 1900    | 300    | 700    |
| 1900 - 2200    | 300    | 850    |

Stroke 18 mm

Further parts see page  
Assembly instruction 3F-440







**Note:**  
Profile half cylinder 40 mm (A = 30 mm), set locking cam at 11 o'clock.

Lifthandle polyamide GF black, rod control zinc die, 2 rods polyamide GF black, number of choice clip-in rod guides plastic black for weld stud M6x10, number of choice catches polyamide GF black for countersunk screw M6, screw m.s. zinc-plated

| Quantity rod guides and catches | 2         | 4         |
|---------------------------------|-----------|-----------|
|                                 | 1190-U107 | 1190-U106 |
| Door height Th                  | Dim. C    | Dim. D    |
| 800 - 1200                      | -         | 300       |
| 1200 - 1600                     | -         | 450       |
| 1600 - 1900                     | 300       | 700       |
| 1900 - 2200                     | 300       | 850       |



Stroke 18 mm  
**Further parts see page**  
 – Assembly instruction 3F-440  
 Profile half cylinder 3XB-320

Info

1 Quarter turns



2 Rod controls



3 Locking systems



4 Hinges

5 Seals

6 Handles



7 Aluminium windows

8 Miscellaneous

Rod guide with rod pictured transparent

9 Special catalogues

Further parts see page  
– Article description

3F-420  
3F-430

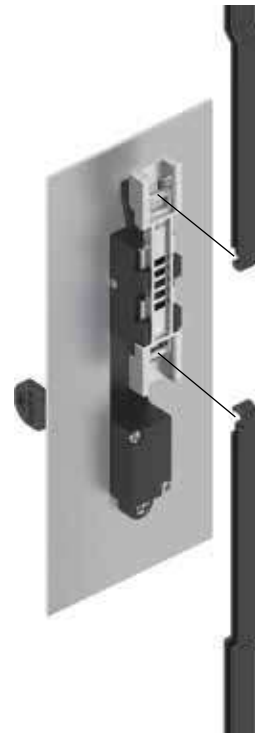
Index

**3F-440** 01/13

(3F-422)



- Insert lifthandle through cut out
- Mount plastic washer and screw



- Slide the rod guide onto the rods
- Hook in the rods

Pull-out force:  $F_{min.} = 350 \text{ N}$   
Application force: Typical value  $F \approx 135 \text{ N}$

These values refer to threads with surface raw or zinc-plated and grease-free.

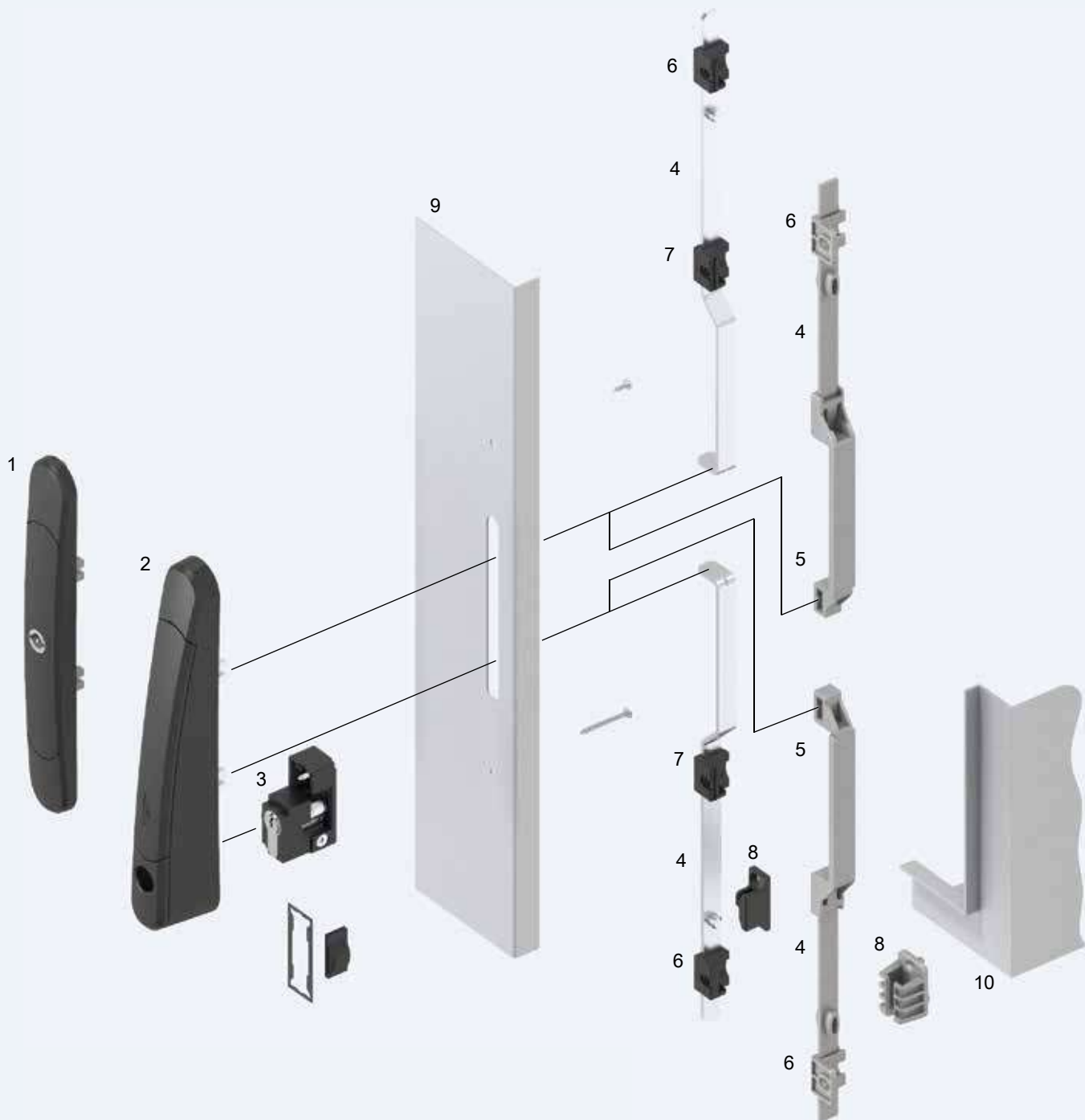


Mounting the rod guide on the welding studs

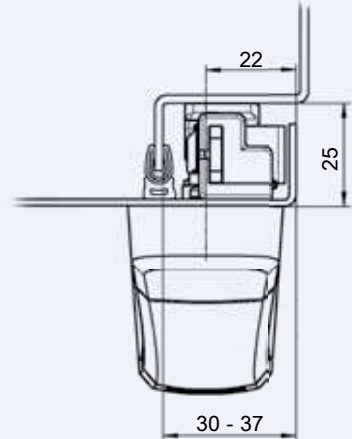


Rod guide ready mounted

# Escutcheon and Lifthandle for small bending area Program 1390



- |    |  |                  |
|----|--|------------------|
| 1  | Escutcheon                                   | 3FA-120; 3FA-130 |
| 2  | Lifthandle                                   | 3FA-140; 3FA-150 |
| 3  | Locking set                                  |                  |
| 4  | Rod (outside the sealing)                    |                  |
| 5  | Rod connector                                |                  |
| 6  | Rod guide                                    |                  |
| 7  | Rod guide (necessary up to door height 1600) |                  |
| 8  | Catch  |                  |
| 9  | Door   |                  |
| 10 | Housing / Frame                              |                  |



## 3FA-100

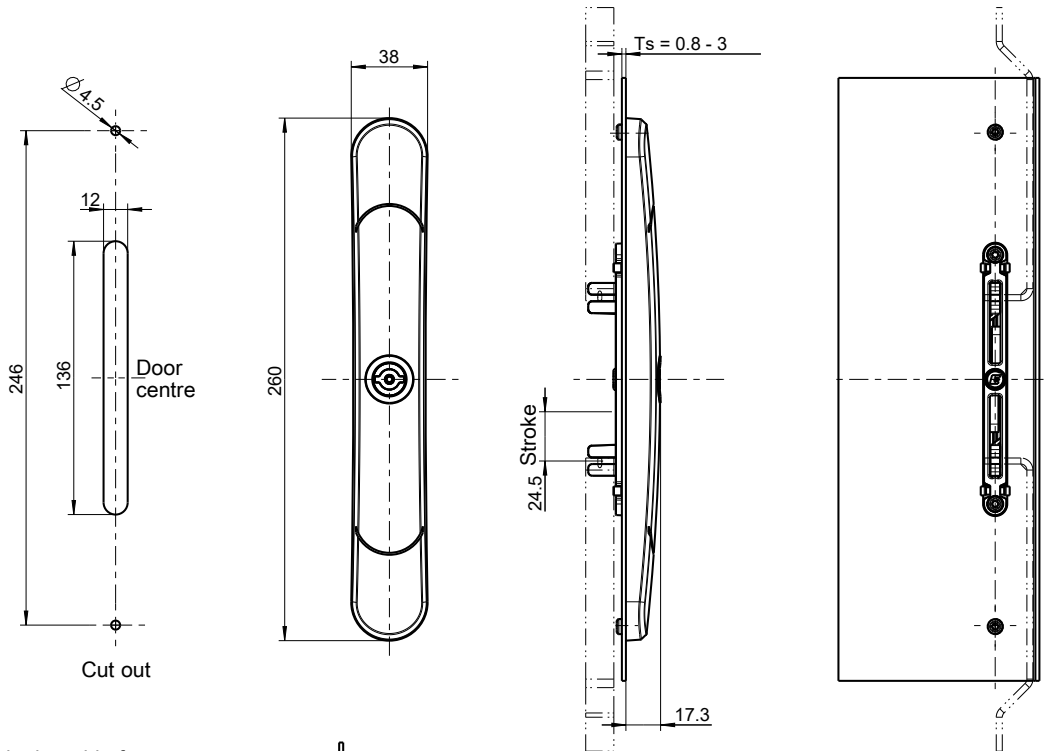
# Escutcheon for bending area, variable

## PROGRAM 1390



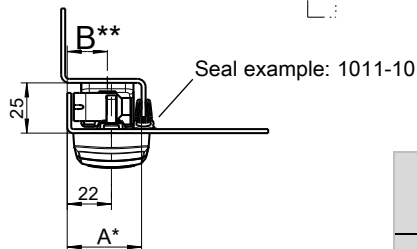
### Product benefits

- Bi-directional escutcheon
- Variable positioning of the rods matching the hinge fixing
- Small cut out due to outside mechanism
- Innovative, new and low-priced technology
- Attractive design
- Allows small bending area 33 x 25 mm or 37 x 25 mm for more usable clearance
- Patented



\* The values in the table for dimension A with seal refer to the seal 1011-10. With other seals, the values for dimension A differ.

\*\* Dimension B should have the same value as the fixing dimension of the hinge bracket if the door is to be right / left and reversible.



| Locking type<br>(see right) | Dimension A  |           |
|-----------------------------|--------------|-----------|
|                             | without seal | with seal |
| 1                           | 30           | 33        |
| 2                           | 30           | 33        |
| 3                           | 33           | 37        |

### Locking types



1

Rod with cut out



2

Rod with single roller



3

Rod with double roller



1 Quarter turns

2 Rod controls

3 Locking systems

4 Hinges

5 Seals

6 Handles

7 Aluminium windows

8 Miscellaneous

9 Special catalogues

Index



**Escutcheon polyamide GF black; insert zinc die chrome-plated; rack zinc die raw; fixing material m.s. zinc-plated; with spring**

|              |          |
|--------------|----------|
| Square 6     | 1390-U33 |
| Double bit 3 | 1390-U38 |
| Double bit 5 | 1390-U39 |

**Escutcheon polyamide GF silver grey metallic; insert zinc die raw; rack zinc die raw; fixing material m.s. zinc-plated; with spring**

|              |             |
|--------------|-------------|
| Square 6     | on request  |
| Double bit 3 | 1390-U38-CX |
| Double bit 5 | on request  |

**Rod movement is bi-directional**

**Note:** Dimension B depending on the hinge to be used

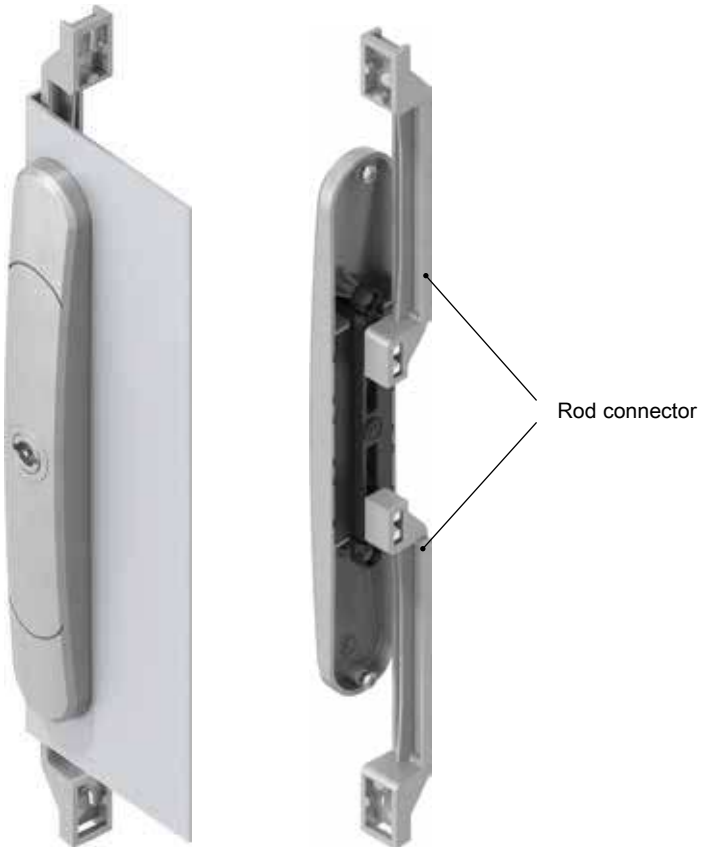
**Further parts see page**

-Rod

3ZA-610

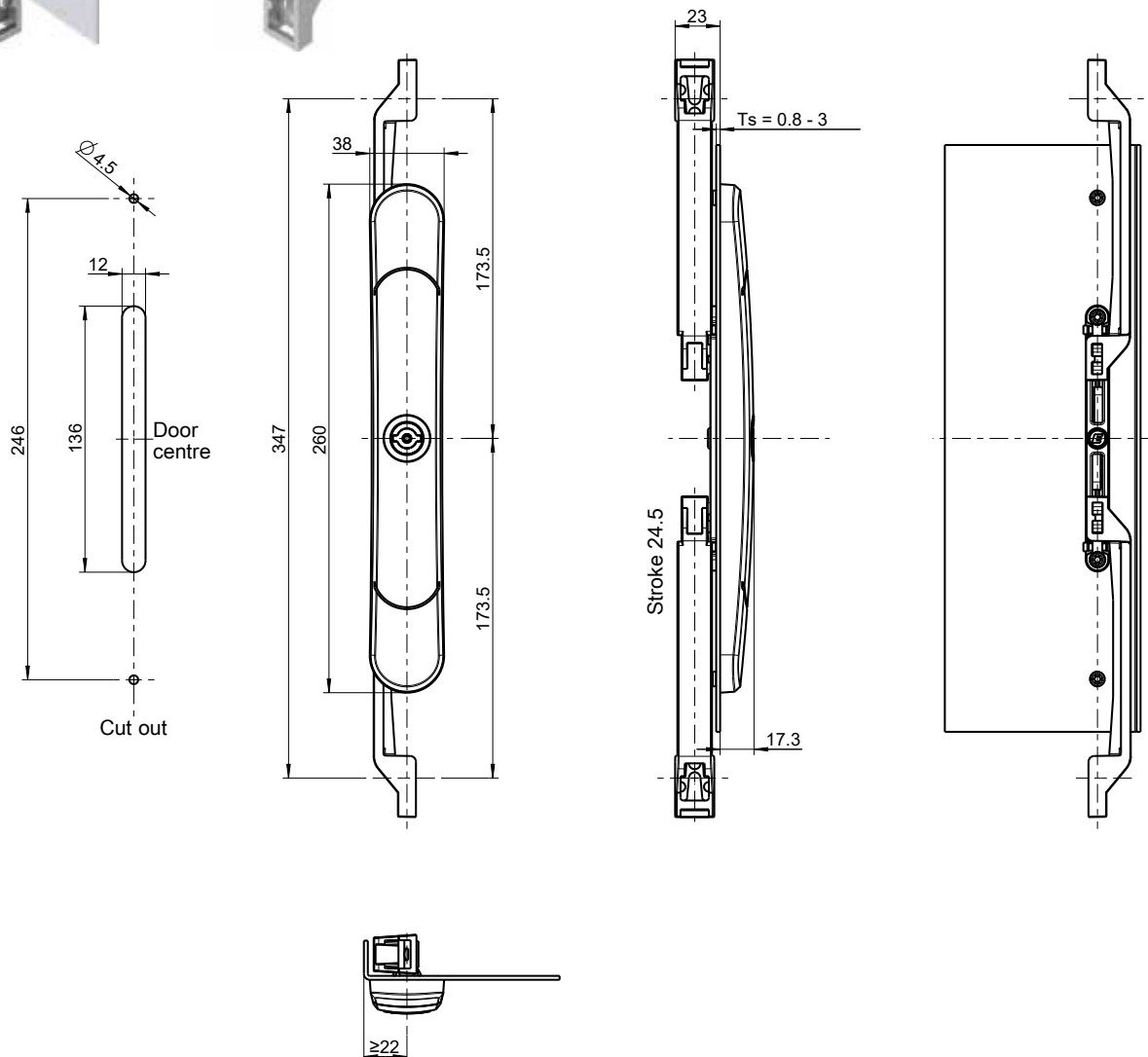
# Escutcheon for smaller bending area

## PROGRAM 1390

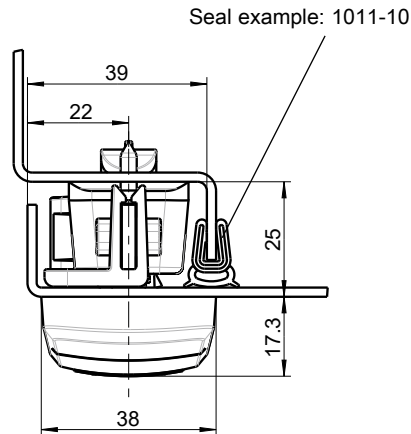


### Product benefits

- Bi-directional escutcheon
- All common rods can be used with the rod connector
- Small cut out due to outside mechanism
- Innovative, new and low-priced technology
- Attractive design
- Patented



Latch example



**Escutcheon polyamide GF black; insert zinc die chrome-plated; rack zinc die raw; fixing material m.s. zinc-plated; with spring**

|              |          |
|--------------|----------|
| Square 6     | 1390-U33 |
| Double bit 3 | 1390-U38 |
| Double bit 5 | 1390-U39 |

**Rod connector polyamide GF black**

|   |            |
|---|------------|
| Necessary for rods from catalogue page 3ZA-120 to 3ZA-340 | on request |
|---|------------|

**Escutcheon polyamide GF silver grey metallic; insert zinc die raw; rack zinc die raw; fixing material m.s. zinc-plated; with spring**

|              |             |
|--------------|-------------|
| Square 6     | on request  |
| Double bit 3 | 1390-U38-CX |
| Double bit 5 | on request  |

**Rod connector polyamide GF silver metallic**

|   |             |
|---|-------------|
| Necessary for rods from catalogue page 3ZA-120 to 3ZA-340 | 1121-168-CX |
|---|-------------|

**Rod movement is bi-directional**

**Note:**  
Please order 2 rod connectors per escutcheon

**Further parts see page**  
– Rod from 3ZA-120 to 3ZA-340

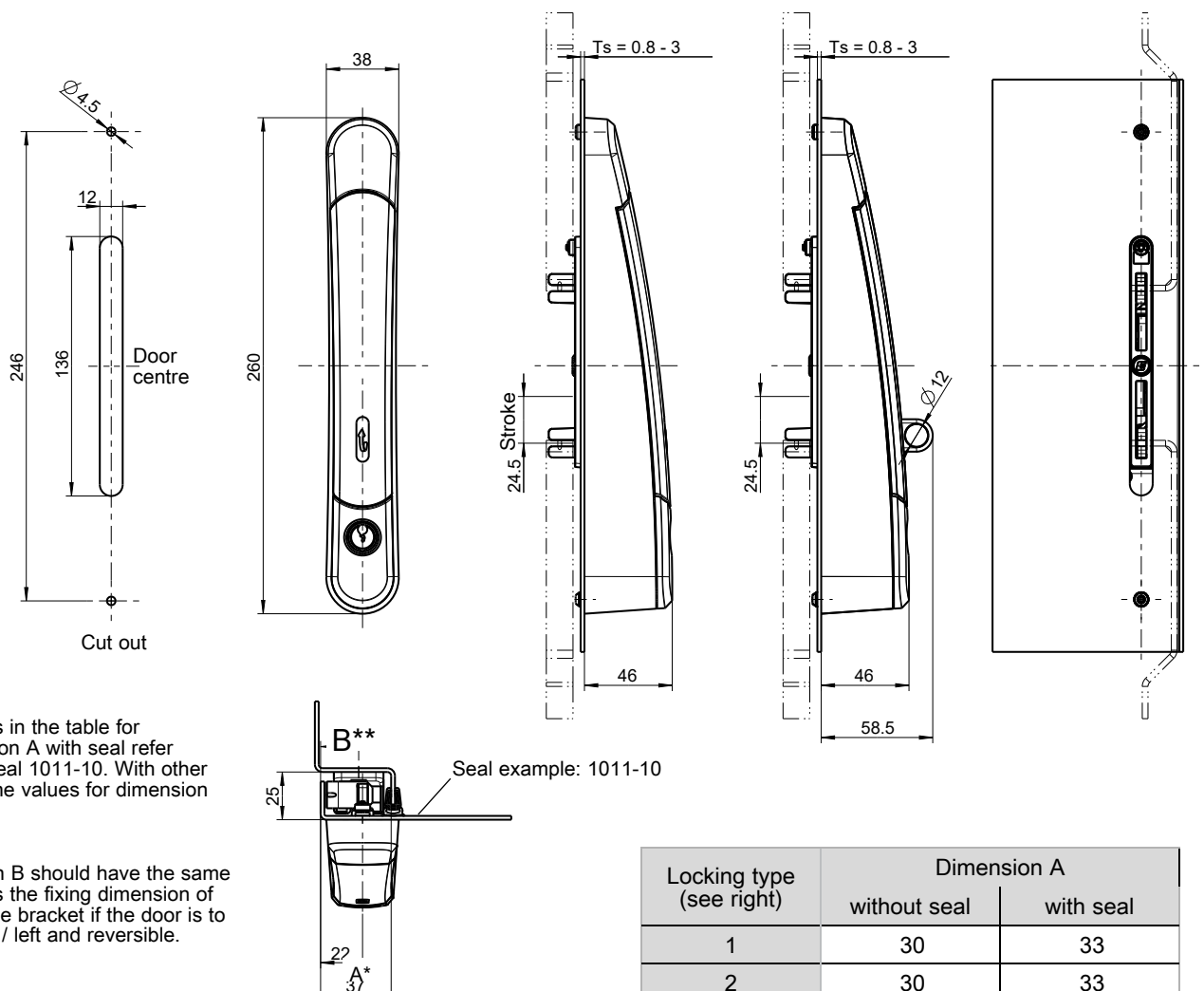
# Lifthandle for small bending area, variable

## PROGRAM 1390



### Product benefits

- Bi-directional lifthandle
- Variable positioning of the rods matching the hinge fixing
- Small cut out due to outside handle mechanism
- Innovative, new and low-priced technology
- Attractive design
- Allows small bending area 33 x 25 mm or 37 x 25 mm for more usable clearance
- Patented



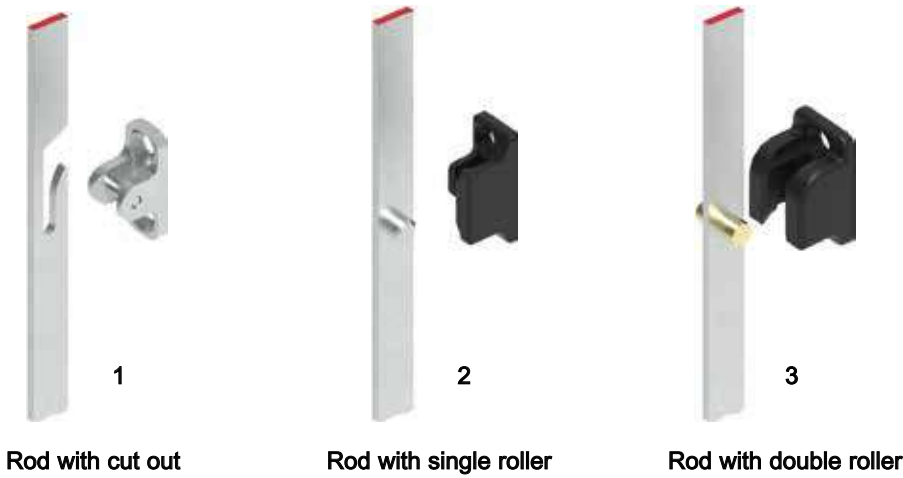
\* The values in the table for dimension A with seal refer to the seal 1011-10. With other seals, the values for dimension A differ.

\*\* Dimension B should have the same value as the fixing dimension of the hinge bracket if the door is to be right / left and reversible.

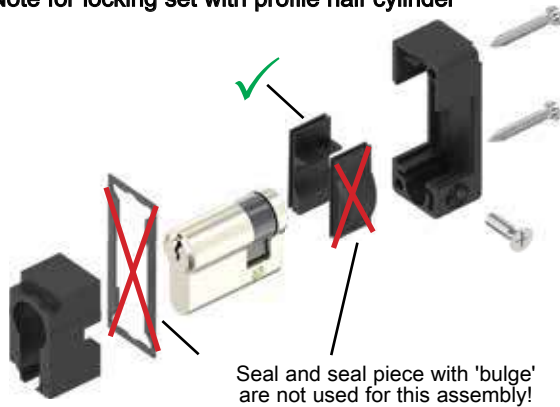
| Locking type<br>(see right) | Dimension A  |           |
|-----------------------------|--------------|-----------|
|                             | without seal | with seal |
| 1                           | 30           | 33        |
| 2                           | 30           | 33        |
| 3                           | 33           | 37        |



### Locking types



### Note for locking set with profile half cylinder



### Lifthandle polyamide GF black; rack zinc die raw; fixing material m.s. zinc-plated; with spring

- Ⓐ for locking sets with profile half cylinder, round cylinder and insert
- Ⓑ for locking sets with push button, KABA cylinder and ASSA cylinder

|   |         |
|---|---------|
| Ⓐ Cover with round hole                 | 1390-U1 |
| Ⓐ Cover with round hole and for padlock | 1390-U2 |
| Ⓑ Cover with oval hole                  | 1390-U3 |
| Ⓑ Cover with oval hole and for padlock  | 1390-U4 |

### Lifthandle polyamide GF silver grey metallic; rack zinc die raw; fixing material m.s. zinc-plated; with spring

- Ⓐ for locking sets with profile half cylinder, round cylinder and insert
- Ⓑ for locking sets with push button, KABA cylinder and ASSA cylinder

|   |            |
|---|------------|
| Ⓐ Cover with round hole                 | 1390-U1-CX |
| Ⓐ Cover with round hole and for padlock | on request |
| Ⓑ Cover with oval hole                  | on request |
| Ⓑ Cover with oval hole and for padlock  | on request |

Rod movement is bi-directional

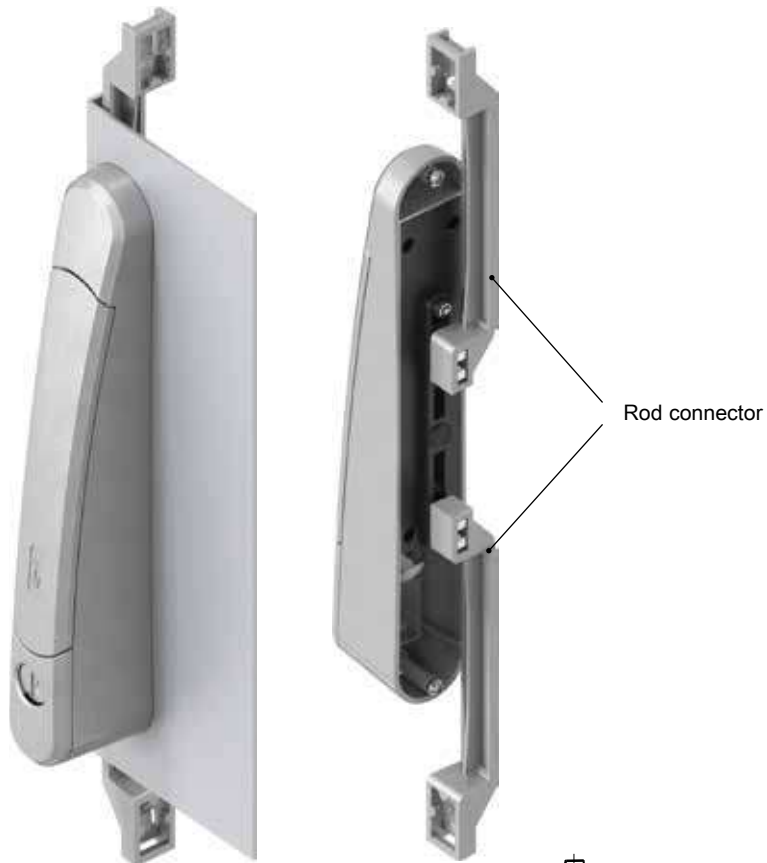
**Note:** Dimension B depending on the hinge to be used

**Further parts see page**

- Locking set      3XA-120
- 3XA-140
- Rod                3ZA-610

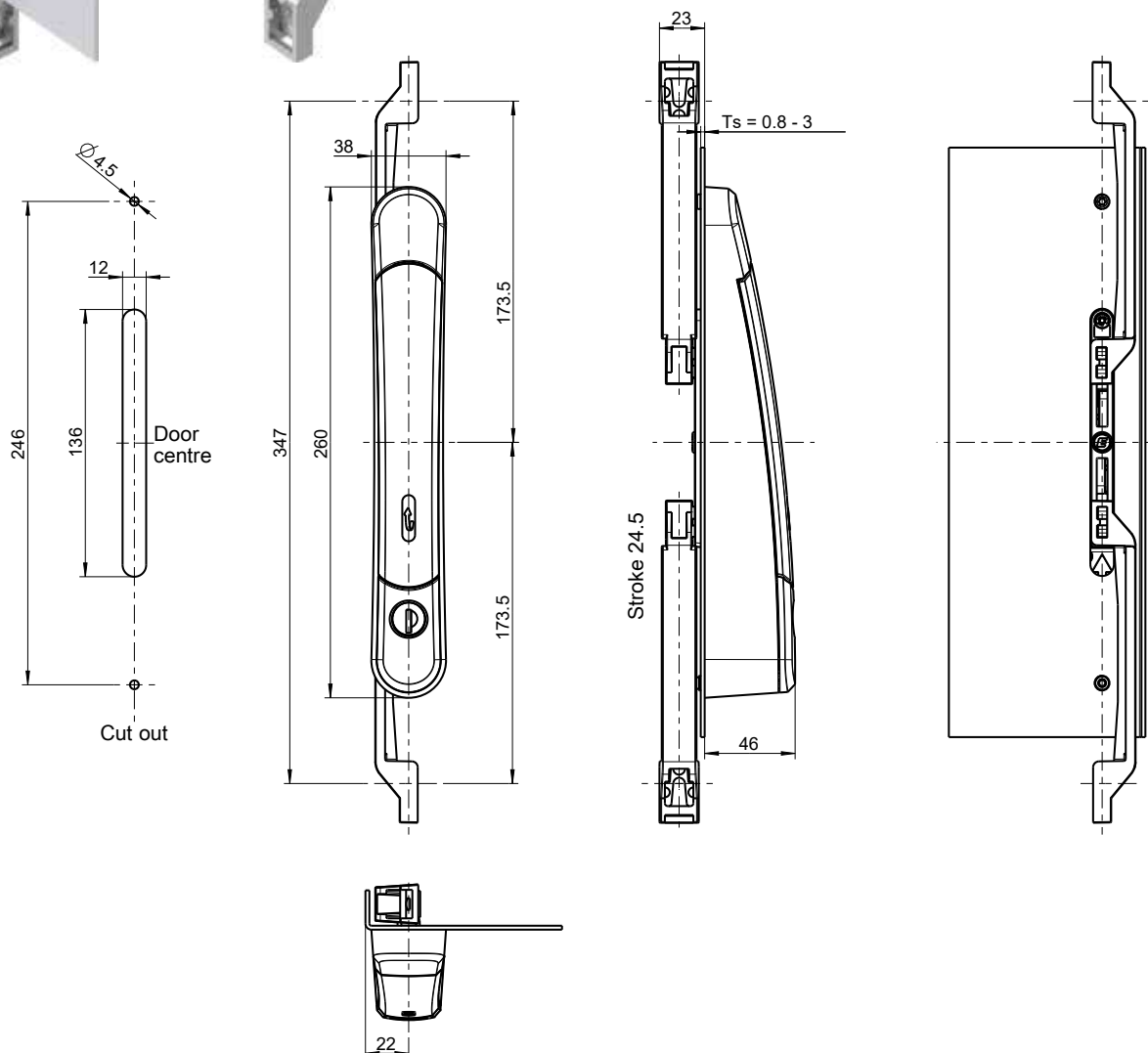
# Lifthandle for smaller bending area

## PROGRAM 1390



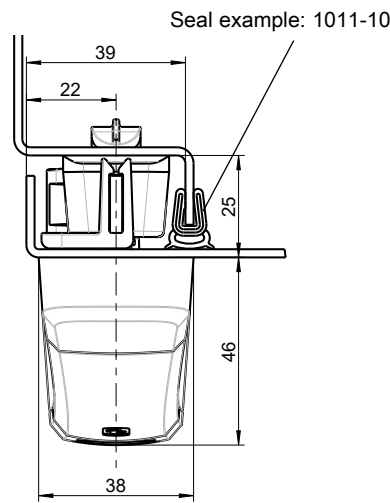
### Product benefits

- Bi-directional lifthandle
- All common rods can be used with the rod connector
- Small cut out due to outside mechanism
- Innovative, new and low-priced technology
- Attractive design
- Patented

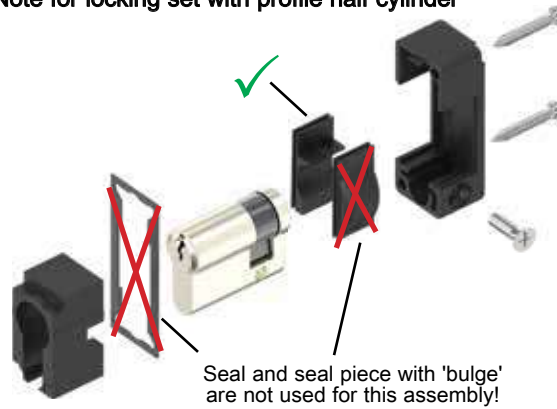




Latch example



Note for locking set with profile half cylinder



**Lifthandle polyamide GF black; rack zinc die raw; fixing material m.s. zinc-plated; with spring**

Ⓐ for locking sets with profile half cylinder, round cylinder and insert  
 Ⓑ for locking sets with push button, KABA cylinder and ASSA cylinder

|   |         |
|---|---------|
| Ⓐ Cover with round hole                 | 1390-U1 |
| Ⓐ Cover with round hole and for padlock | 1390-U2 |
| Ⓑ Cover with oval hole                  | 1390-U3 |
| Ⓑ Cover with oval hole and for padlock  | 1390-U4 |

**Rod connector polyamide GF black**

|   |            |
|---|------------|
| Necessary for rods from catalogue page 3ZA-120 to 3ZA-340 | on request |
|---|------------|

**Lifthandle polyamide GF silver grey metallic; rack zinc die raw; fixing material m.s. zinc-plated; with spring**

Ⓐ for locking sets with profile half cylinder, round cylinder and insert  
 Ⓑ for locking sets with push button, KABA cylinder and ASSA cylinder

|   |            |
|---|------------|
| Ⓐ Cover with round hole                 | 1390-U1-CX |
| Ⓐ Cover with round hole and for padlock | on request |
| Ⓑ Cover with oval hole                  | on request |
| Ⓑ Cover with oval hole and for padlock  | on request |

**Rod connector polyamide GF silver metallic**

|   |             |
|---|-------------|
| Necessary for rods from catalogue page 3ZA-120 to 3ZA-340 | 1121-168-CX |
|---|-------------|

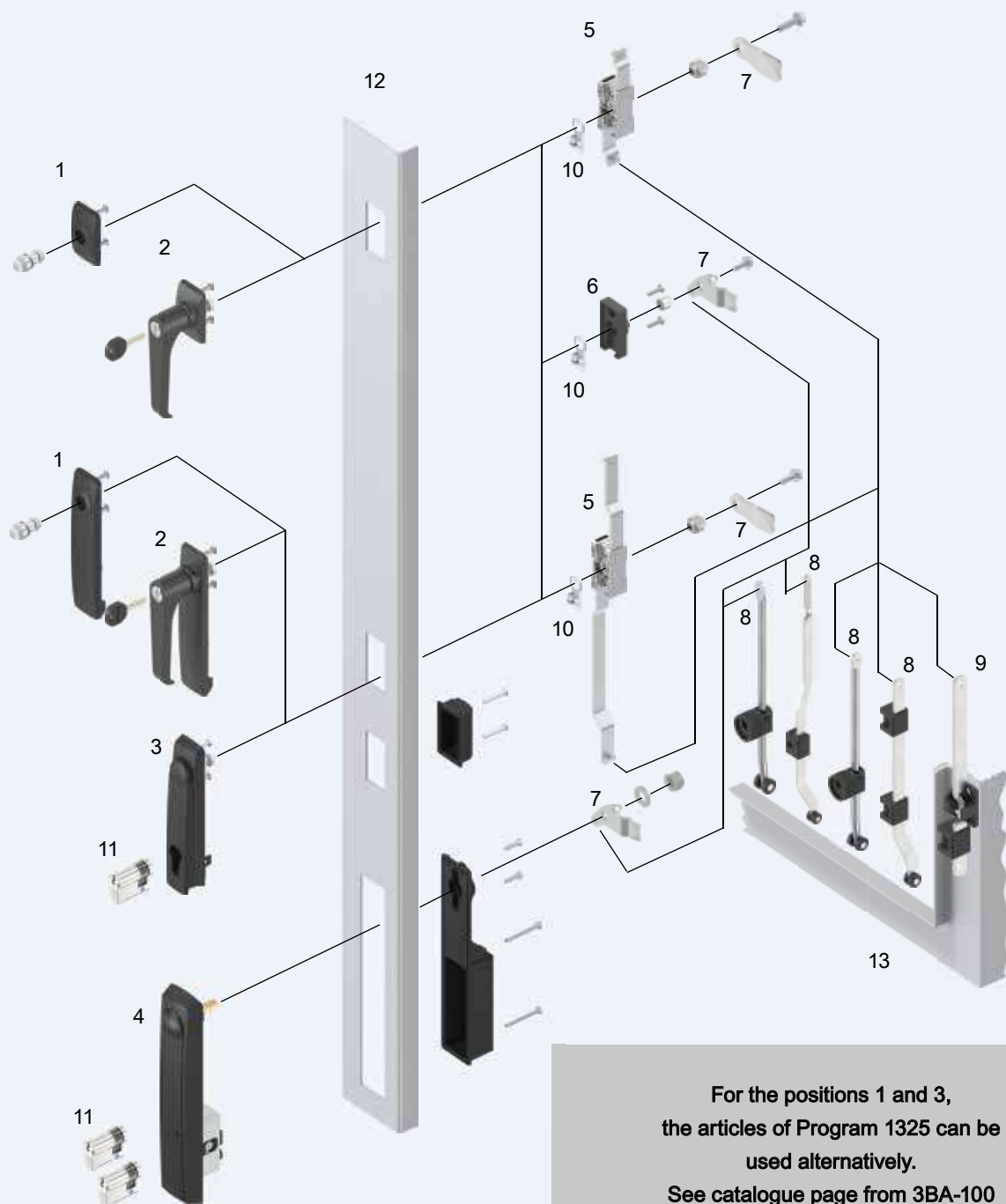
**Rod movement is bi-directional**

**Note:**  
 Please order 2 rod connectors per lifthandle

**Further parts see page**  
 – Locking set 3XA-120  
 3XA-140  
 – Rod from 3ZA-120 to 3ZA-340

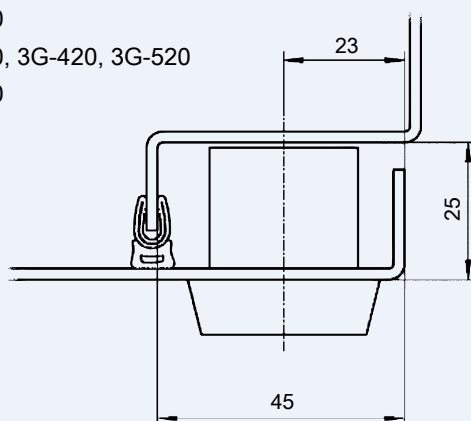


# Swinghandle and Escutcheon Program 1225



- 1 Escutcheon 1221 with insert
- 2 Escutcheon 1223 with handle
- 3 Swinghandle
- 4 Swinghandle (double cylinder)
- 5 Rod control
- 6 Bearing bush
- 7 Cam
- 8 Rod (inside the sealing)
- 9 Rod (outside the sealing)
- 10 Grounding device
- 11 Profile half cylinder
- 12 Door
- 13 Housing / Frame

- 3G-120
- 3G-180
- 3G-220, 3G-420, 3G-520
- 3G-320



## 3G-100

Info

1 Quarter turns

2 Rod controls

3 Locking systems

4 Hinges

5 Seals

6 Handles

7 Aluminium windows

8 Miscellaneous

9 Special catalogues

Index



\* version polyamide on request

Further parts see page

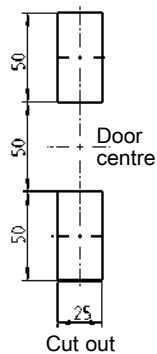
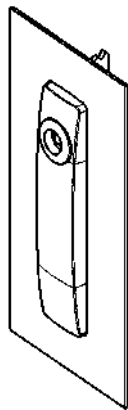
– Key 8B-120  
– Rod control for long version 3YA-110

3YA-120  
3YA-140

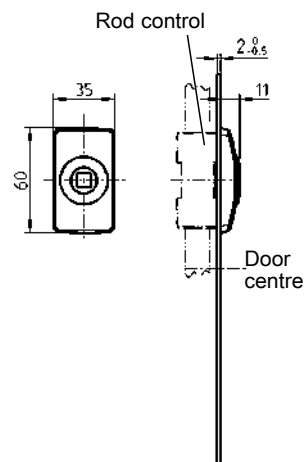
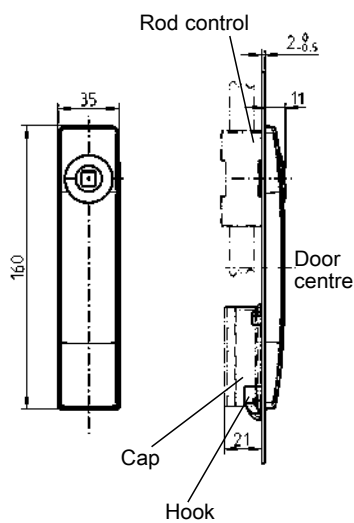
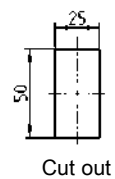
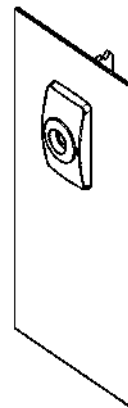
(only with hook) 3YA-190  
short version 3YA-115

– Bearing bush 3YA-160  
3YB-120

Escutcheon, long



Escutcheon, short



Escutcheon long polyamide GF black, screw m.s. zinc-plated, with seal

Escutcheon short polyamide GF black, screws m.s. zinc pl., with seal IP 65

|   | Hook IP 40 | Screw-on cap IP 65 |           |
|---|------------|--------------------|-----------|
| for square, triangular Daimler Benz, slot | 1221-U19   | 1221-U133          | 1221-U22  |
| for double bit                            | 1221-U20   | 1221-U134          | 1221-U23  |
| for railway square 9                      | 1221-U19A  | 1221-U135          | 1221-U22A |

Insert zinc die chrome-plated; fixing material m.s. zinc-plated

|                      |           |                  |           |
|----------------------|-----------|------------------|-----------|
| Square 6             | 1121-U11  | Double bit 3*    | 1121-U16  |
| Square 7             | 1121-U12  | Double bit 5*    | 1121-U17  |
| Square 8             | 1121-U13  | Square female 8  | 1121-U167 |
| Triangular 6.5 CNOMO | 1121-U169 | Slot 2 x 4       | 1121-U123 |
| Triangular 7         | 1121-U14  | Railway square 9 | 1121-U72  |
| Triangular 8         | 1121-U15  | Daimler Benz     | 1121-U18  |

Accessories

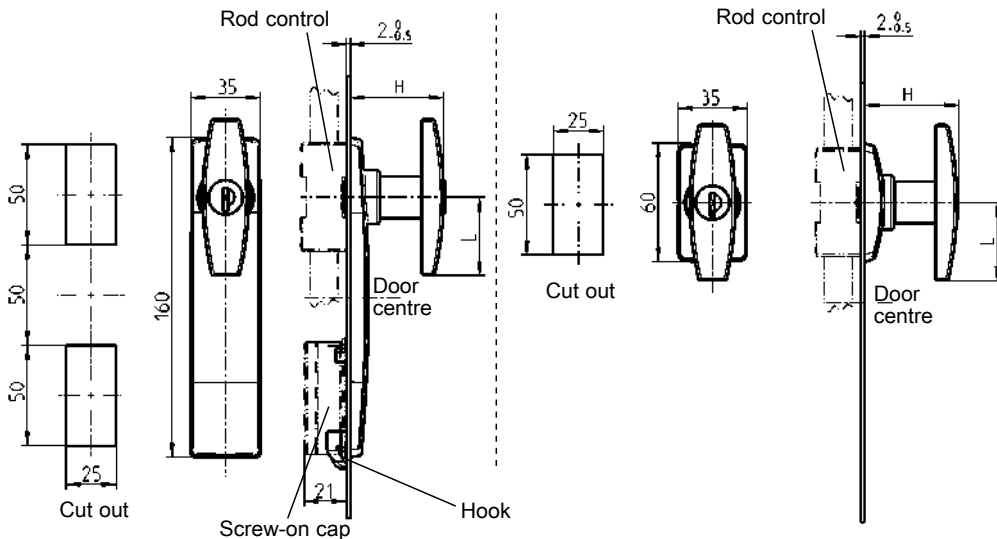
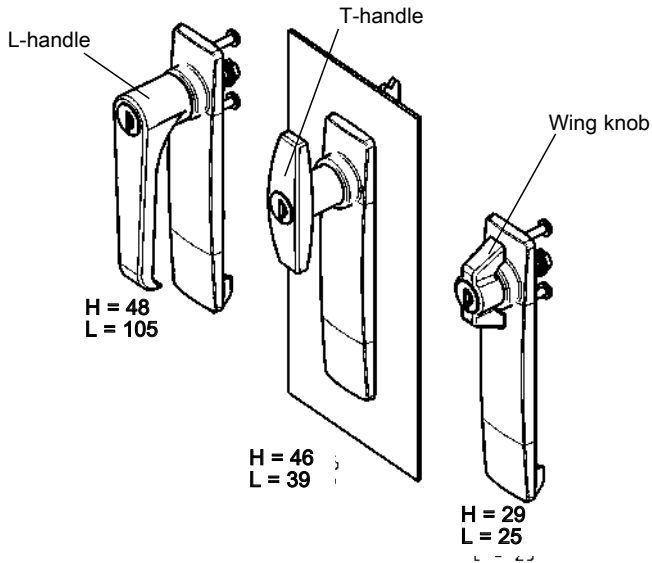


Transport safety device polyamide GF black for insert double bit

1121-32

# Escutcheon 1223 with handle

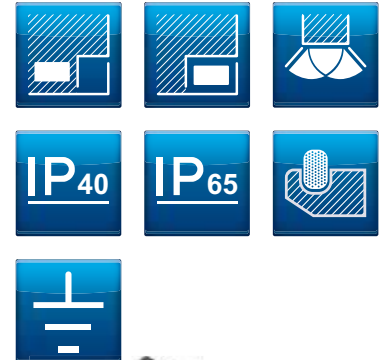
## PROGRAM 1225



Each round cylinder has one silver steel key with grip polyamide GF black

Escutcheon polyamide GF black, round cylinder with stainless steel cap and shutter, fixing material m.s. zinc-plated, with seal

|   | Escutcheon long |                          | Escutcheon     |
|---|-----------------|--------------------------|----------------|
|   | Hook<br>IP 40   | Screw-on<br>cap<br>IP 65 | short<br>IP 65 |
| <b>Wing knob zinc die black powder-coated</b> |                 |                          |                |
| non locking                                   | 1223-U1         | 1223-U25                 | 1223-U4        |
| keyed EK 333                                  | 1223-U2         | 1223-U26                 | 1223-U5        |
| keyed different                               | 1223-U3         | 1223-U27                 | 1223-U6        |
| <b>T-Handle zinc die black powder-coated</b>  |                 |                          |                |
| non locking                                   | 1223-U7         | 1223-U28                 | 1223-U10       |
| keyed EK 333                                  | 1223-U8         | 1223-U29                 | 1223-U11       |
| keyed different                               | 1223-U9         | 1223-U30                 | 1223-U12       |
| prepared for KABA 1036                        | 1223-U21        | -                        | 1223-U22       |
| <b>L-handle zinc die black powder-coated</b>  |                 |                          |                |
| non locking                                   | 1223-U13        | 1223-U31                 | 1223-U16       |
| keyed EK 333                                  | 1223-U14        | 1223-U32                 | 1223-U17       |
| keyed different                               | 1223-U15        | 1223-U33                 | 1223-U18       |
| prepared for KABA 1036                        | 1223-U19        | -                        | 1223-U20       |



**Further parts see page**

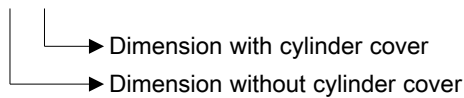
- Key 8B-120
- Spare key 8B-140
- Rod control for long version 3YA-110, 3YA-120, 3YA-140
- (only with hook) short version 3YA-190, 3YA-115, 3YA-160
- Bearing bush 3YB-120
- Dust cap for T-handle 1C-340

## Swinghandle

## PROGRAM 1225

## Example:

\*(22/24 mm)



Swinghandle for profile half cylinder polyamide GF black,  
shaft zinc die zinc-plated, fixing material m.s. zinc-plated, with seal

|   | Screw-on cap IP 65     |           | Hook IP 40             |           |
|---|------------------------|-----------|------------------------|-----------|
|   | with<br>Cylinder cover | without   | with<br>Cylinder cover | without   |
| for half cylinder 40 mm *(22/24 mm)           | 1225-U191              | 1225-U190 | 1225-U186              | 1225-U185 |
| for half cylinder 40 mm *(22/24 mm), sealable | 1225-U191-01           | -         | 1225-U186-01           | -         |
| for half cylinder 45 mm *(28/30 mm)           | 1225-U196              | 1225-U195 | 1225-U194              | 1225-U193 |
| with cylinder (Berlin version)                | -                      | -         | 1225-U276              | 1225-U275 |

Swinghandle for profile half cylinder polyamide GF black, handle zinc die black powder-coated,  
shaft zinc die zinc-plated, fixing material m.s. zinc-plated, with seal

|                                     |   |              |   |              |
|-------------------------------------|---|--------------|---|--------------|
| for half cylinder 40 mm *(22/24 mm) | - | 1225-U190-01 | - | 1225-U185-01 |
|-------------------------------------|---|--------------|---|--------------|

Swinghandle polyamide GF black with EMC shielding for profile half cylinder,  
shaft zinc die zinc-plated, cap matt chrome-plated. fixing material m.s. zinc-plated, with seal

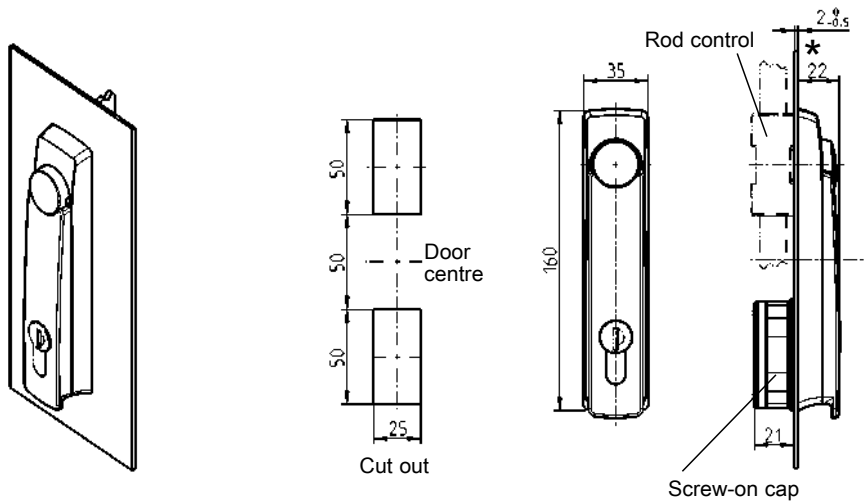
|                                     |             |   |   |   |
|-------------------------------------|-------------|---|---|---|
| for half cylinder 40 mm *(22/24 mm) | 1225-U191-E | - | - | - |
|-------------------------------------|-------------|---|---|---|

Swinghandle polyamide GF black, with round cylinder incl. stainless steel cap and dust cap or insert m.s. zinc-plated,  
shaft zinc die chrome-plated, fixing material m.s. zinc-plated, with seal.  
Each round cylinder has one silver steel key with grip polyamide GF black

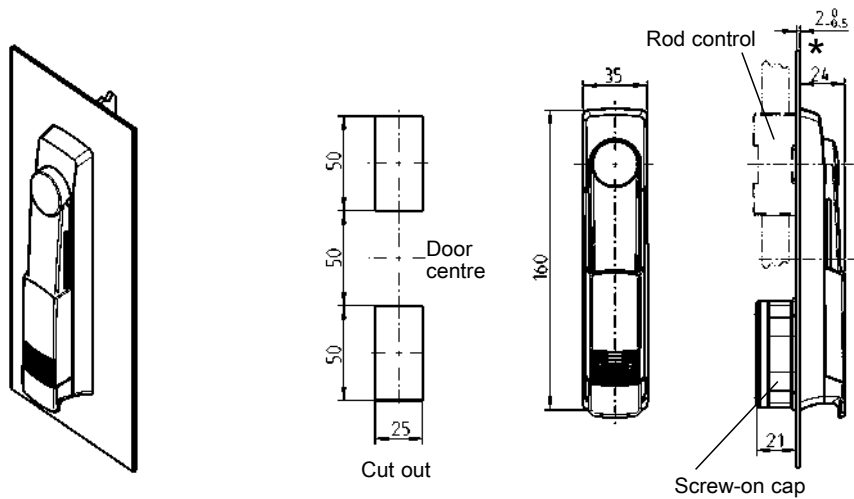
|   | Screw-on cap           |            | Hook                   |            |
|---|------------------------|------------|------------------------|------------|
|   | with<br>Cylinder cover | without    | with<br>Cylinder cover | without    |
| Round cylinder keyed EK 333               | 1225-U206              | 1225-U202  | on request             | 1225-U268  |
| Round cylinder keyed different            | 1225-U207              | 1225-U203  | on request             | 1225-U269  |
| Square 6 <sup>1)</sup>                    | 1225-U242              | 1225-U210  | on request             | on request |
| Square 7 <sup>1) 2)</sup>                 | 1225-U243              | 1225-U211  | on request             | on request |
| Square 8 <sup>1) 2)</sup>                 | 1225-U244              | 1225-U212  | on request             | on request |
| Square 8 slotted                          | 1225-U245              | 1225-U213  | on request             | on request |
| Triangular 6.5 CNOMO                      | 1225-U246              | 1225-U214  | 1225-U201              | 1225-U200  |
| Triangular 7 <sup>1)</sup>                | 1225-U247              | 1225-U215  | on request             | on request |
| Triangular 8 <sup>1) 2)</sup>             | 1225-U248              | 1225-U216  | on request             | on request |
| Double bit 3                              | 1225-U249              | 1225-U236  | on request             | on request |
| Double bit 5                              | 1225-U250              | 1225-U239  | on request             | on request |
| Hexagon female SW 10                      | 1225-U251              | 1225-U219  | on request             | on request |
| Square female 6                           | 1225-U252              | 1225-U220  | on request             | on request |
| Square female 8                           | 1225-U253              | 1225-U221  | on request             | on request |
| Daimler Benz                              | 1225-U254              | 1225-U222  | on request             | on request |
| Slot 1.2 x 3                              | on request             | on request | on request             | on request |
| Slot 2x4 <sup>1) 2)</sup>                 | 1225-U256              | 1225-U224  | on request             | on request |
| Crown type                                | 1225-U257              | 1225-U225  | on request             | on request |
| Eastern Europe Ø 13 half-round            | 1225-U282              | 1225-U283  | on request             | on request |
| Prepared for padlock and profile cylinder | -                      | 1225-U184  | -                      | on request |



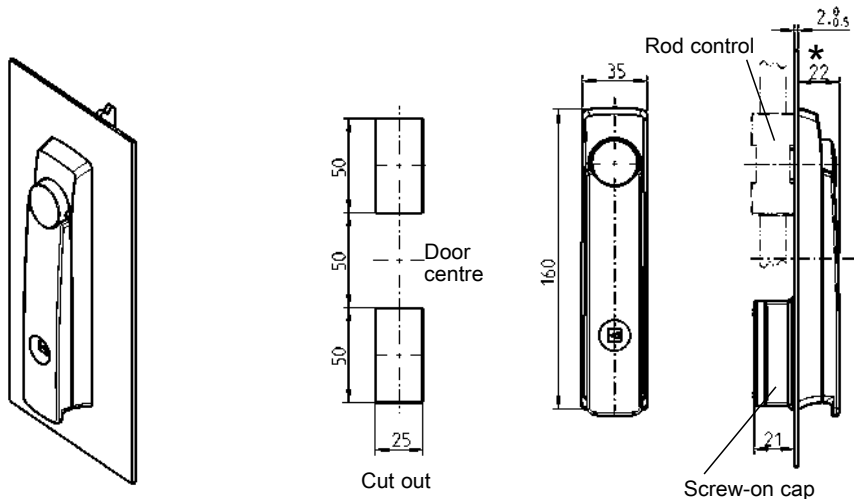
### Swinghandle for profile half cylinder



### Swinghandle with cover



### Swinghandle with round cylinder or insert



#### Further parts see page

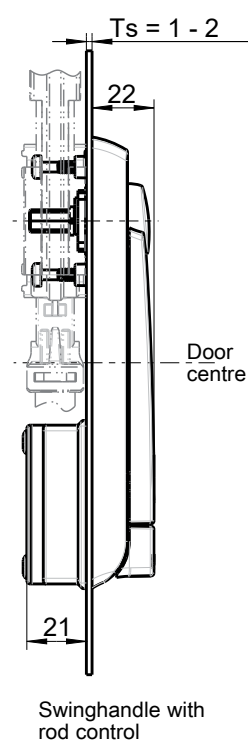
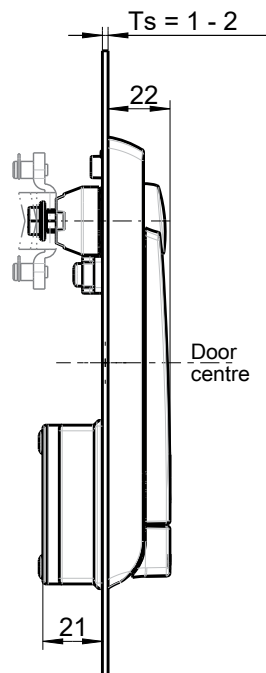
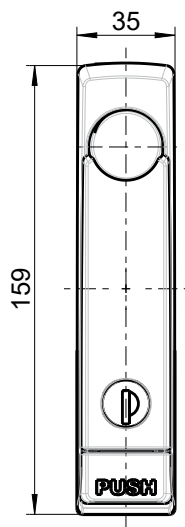
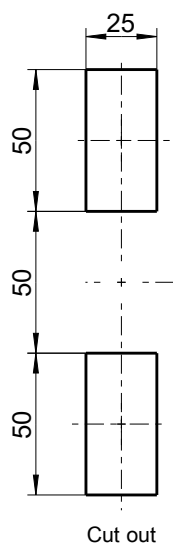
- Key 8B-120
- Rod control 3YA-110
- 3YA-120
- 3YA-140
- (only with hook) 3YA-190
- Bearing bush 3YB-120
- Profile half cylinder 3XB-120

#### On request:

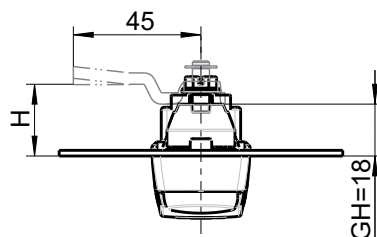
- Insert made of
  - 1) Zinc die black powder-coated
  - 2) Polyamide black
- Cap without foamed seal for small bending area
- further EMC version
- Swinghandle, sealable
- Handle made of zinc die

## Swinghandle with push button

## PROGRAM 1225



Adapter for cam  
1225-U101  
order separately



Swinghandle with push button zinc die black powder-coated;  
shaft zinc die zinc-plated; fixing material m.s. zinc-plated; with spring and seal

Push to lock

Round cylinder keyed EK 333  
Round cylinder zinc die with stainless steel cap and dust cap.  
Each round cylinder has one silver steel key with polyamide grip GF black.

1225-U302

on request

Round cylinder keyed different  
Round cylinder zinc die with stainless steel cap and dust cap.  
Each round cylinder has one silver steel key with polyamide grip GF black.

1225-U303

on request

Double bit 3; Zinc die chrome-plated

on request

on request

Double bit 5; Zinc die chrome-plated

1225-U339

on request

Blind (no locking system)

1225-U326

-

Prepared for padlock

on request

-

Adapter for cam PBT GF V0 black; bridge bar polyamide GF V0 black;  
fixing material m.s. zinc-plated

1225-U101



1 Quarter turns

2 Rod controls

3 Locking systems

4 Hinges

5 Seals

6 Handles

7 Aluminium windows

8 Miscellaneous

9 Special catalogues



**Further parts see page**

- Rod control 3YA-110
- 3YA-120
- 3YA-140
- Cam for rod control (3-point latch system) 3YA-840
- Key 8B-120

**On request:**

- Insert made of
- 1) Zinc die black powder-coated
- 2) Polyamide black
- Cap without foamed seal for small bending area

Info

1 Quarter turns



2 Rod controls



3 Locking systems



4 Hinges

5 Seals

6 Handles

7 Aluminium windows

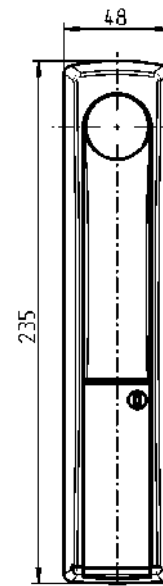
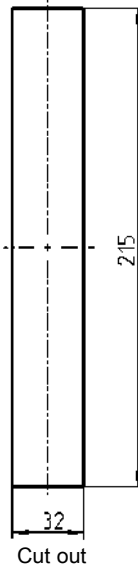
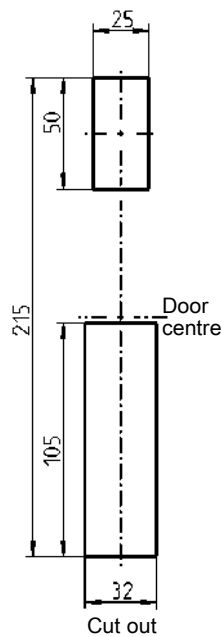
8 Miscellaneous

9 Special catalogues

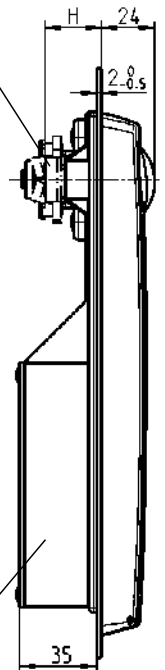
Index

KABA cylinder  
Type 1514

Profile half cylinder  
40 and 45



Cam



Screw-on cap

Further parts see page

- Cam 3YC-140
- Profile half cylinder 3XB-220 (only use 1089-U1 or 1089-U2)

Swinghandle and dish zinc die black powder-coated, shaft brass, fixing material m.s. zinc-plated., with seal

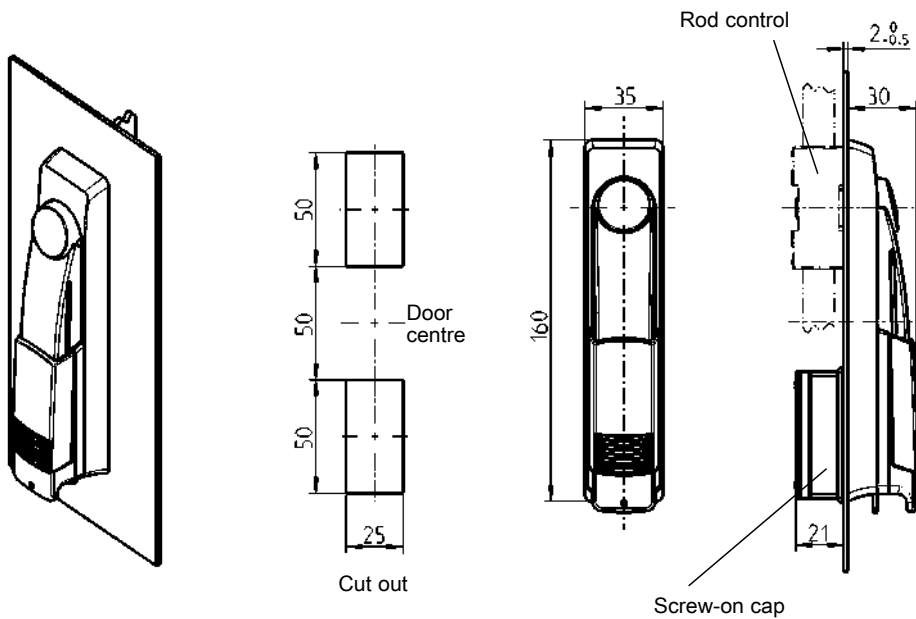
|   |            |
|---|------------|
| Double cylinder swinghandle for profile half cylinder | 1225-U60   |
| Blind plug for using only one profile half cylinder   | 1109-09-AA |
| Double cylinder swinghandle for type KABA 1514        | 1225-U62   |

**3G-320**

(3U-140)

# Swinghandle KABA and ASSA

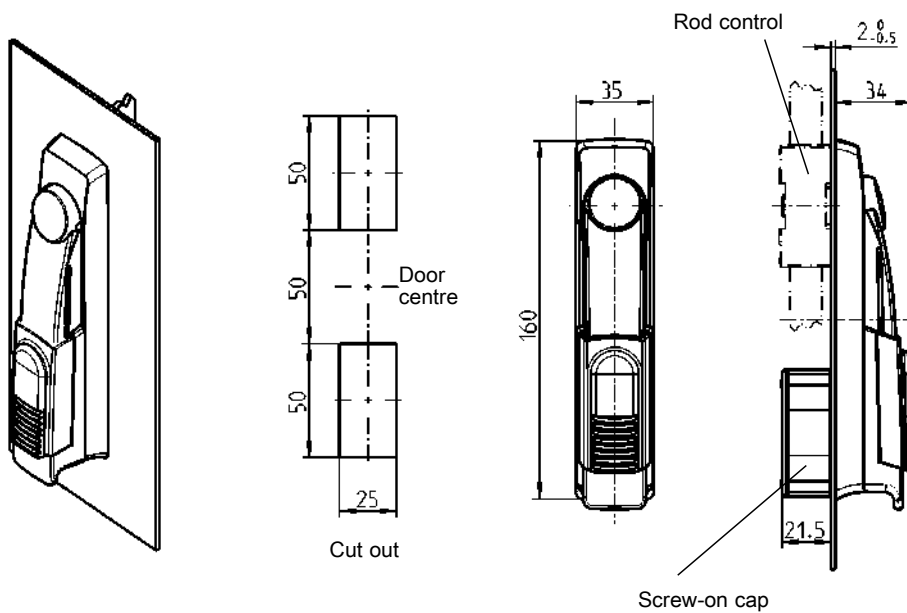
## PROGRAM 1225



Attention: KABA cylinder provided by customer!

Swinghandle for KABA cylinder polyamide GF black, sealable, fixing material m.s. zinc-plated, with seal

1225-U291



Note: ASSA cylinder provided by customer!

Swinghandle for ASSA cylinder polyamide GF black, shaft zinc die zinc-plated, fixing material m.s. zinc-plated, with seal

1225-U198



Further parts see page

- Rod control 3YA-110
- 3YA-120
- 3YA-140
- Bearing bush 3YB-120

Info

1 Quarter turns



2 Rod controls



3 Locking systems

4 Hinges

5 Seals

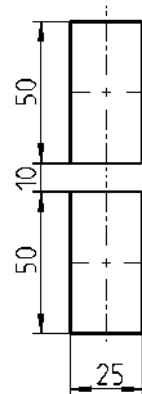
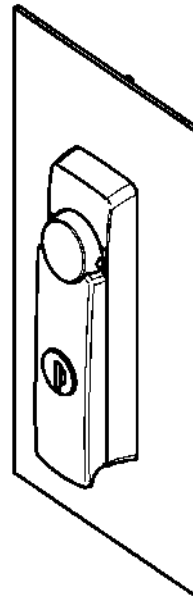
6 Handles

7 Aluminium windows

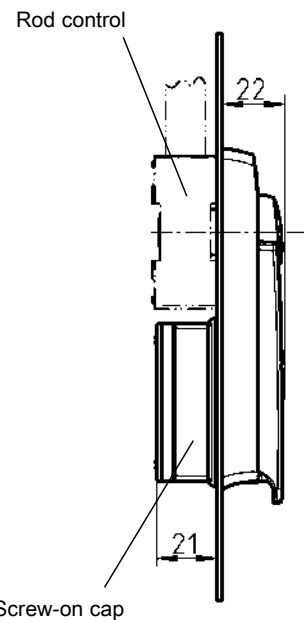
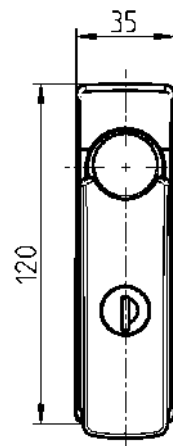
8 Miscellaneous

9 Special catalogues

Index



Cut out



**Further parts see page**

- Rod control (1121-U60-C or 1121-U61-C) 3YA-160
- Bearing bush (H-dimension cam > 23) 3YB-120
- Spare key 8B-140

**Swinghandle and escutcheon polyamide black, with round cylinder with stainless steel cap and shutter, shaft zinc die zinc-plated, fixing material m.s. zinc-plated, with seal**

keyed EK 333

1240-U1

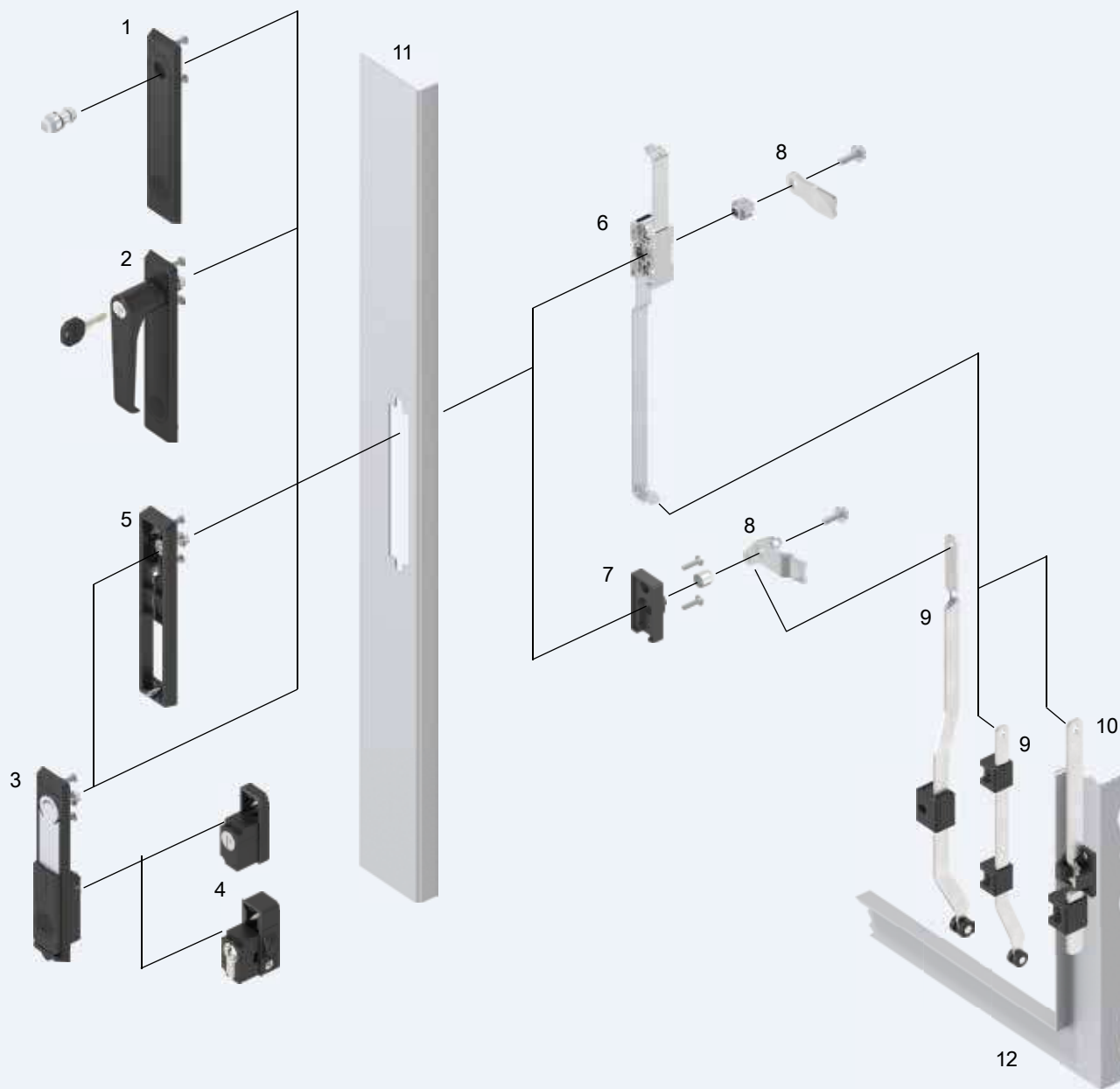
keyed different

1240-U2

**3G-520**

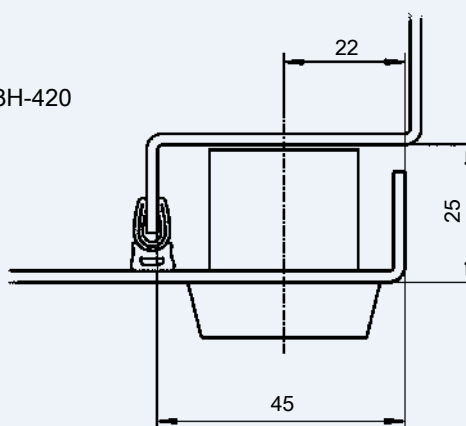
(3T-270)

# Swinghandle and Escutcheon Program 2100



- 1 Escutcheon 2150 with insert
- 2 Escutcheon 2153 with handle
- 3 Swinghandle
- 4 Locking set
- 5 Adapter plate
- 6 Rod control
- 7 Bearing bush
- 8 Cam
- 9 Rod (inside the sealing)
- 10 Rod (outside the sealing)
- 11 Door
- 12 Housing / Frame

3H-120  
3H-220  
3H-320, 3H-420



## 3H-100

Info

1 Quarter turns



2 Rod controls



3 Locking systems



4 Hinges

5 Seals

6 Handles



7 Aluminium windows

8 Miscellaneous

\* Logo recess: 27 x 8 x 0.5  
Multicolour pad print possible

\*\* made of polyamide  
on request

9 Special catalogues

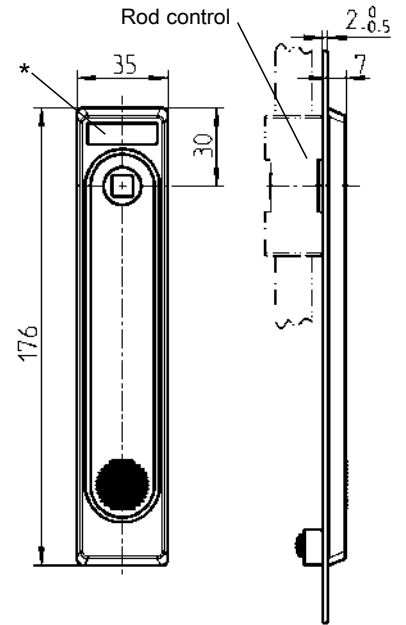
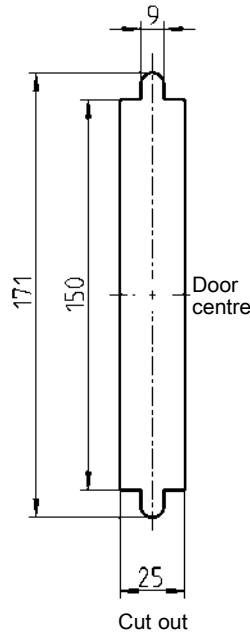
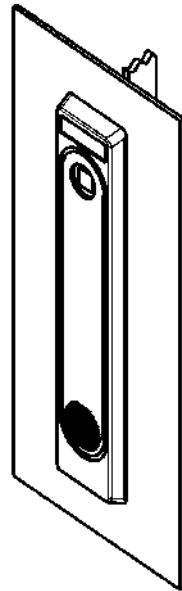
#### Further parts see page

- Key 8B-120
- Rod control 3YA-520
- 3YA-540
- Bearing bush 3YB-140

Index

### 3H-120 11/15

(3D-140)



#### Escutcheon polyamide black, fixing screws m.s. zinc-plated, with seal

for square, triangular, Daimler Benz, slot 2150-U1

for double bit with mask 2150-U2

for FIAT 2150-U3

#### Insert zinc die chrome-plated, fixing material m.s. zinc-plated

|                      |           |                 |           |
|----------------------|-----------|-----------------|-----------|
| Square 6             | 1121-U11  | Double bit 3**  | 1121-U16  |
| Square 7             | 1121-U12  | Double bit 5**  | 1121-U17  |
| Square 8             | 1121-U13  | Square female 8 | 1121-U167 |
| Triangular 6.5 CNOMO | 1121-U169 | Daimler Benz    | 1121-U18  |
| Triangular 7         | 1121-U14  | FIAT            | 1121-U24  |
| Triangular 8         | 1121-U15  | Slot 2x4        | 1121-U123 |

#### Accessories



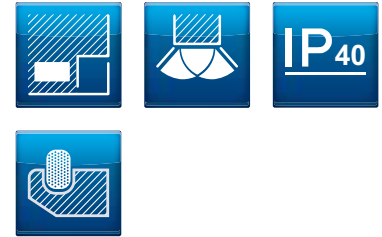
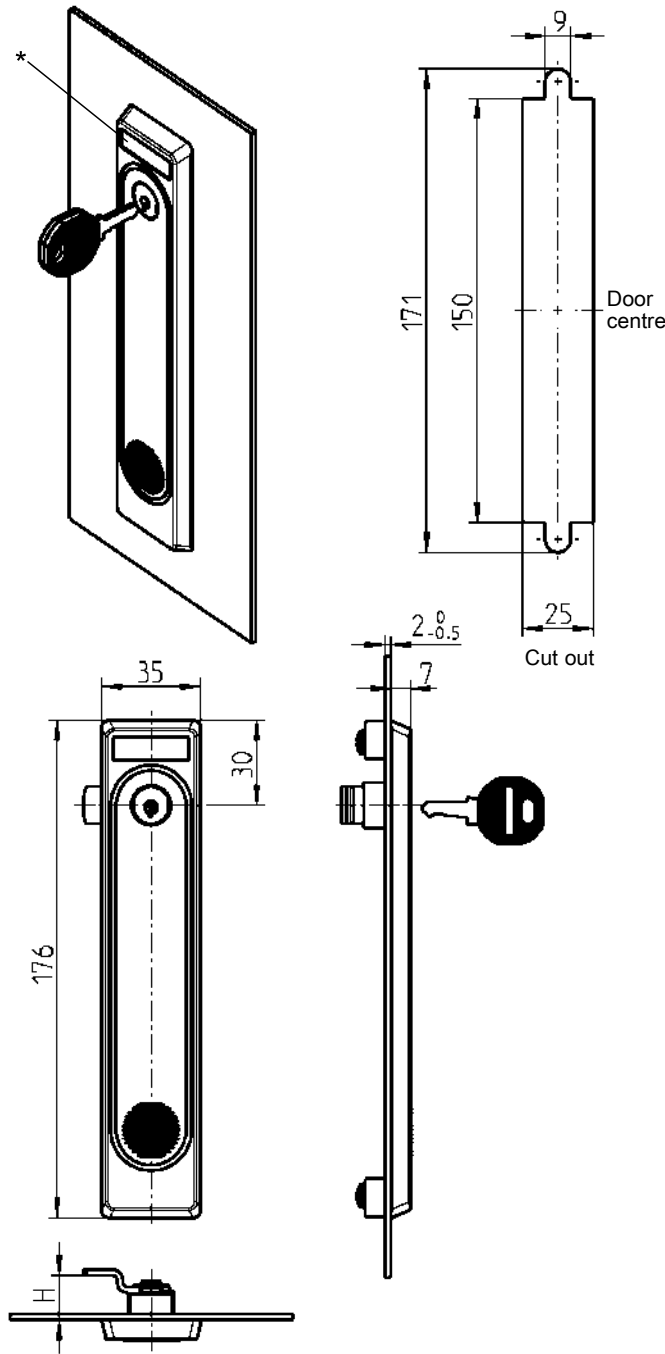
Transport safety device polyamide GF black  
for insert double bit

**1121-32**



# Escutcheon 2150

## PROGRAM 2100



Escutcheon polyamide GF black, round cylinder zinc die with stainless steel cap, fixing material m.s. zinc-plated, with seal.  
Each round cylinder has one silver steel key with grip polyamide GF black

| H-dimension 4   | Left-hand version | Right-hand version |
|-----------------|-------------------|--------------------|
| keyed different | 2150-U4           | 2150-U4-01         |
| keyed 2233X     | 2150-U5           | 2150-U5-01         |
| H-dimension 10  | Left-hand version | Right-hand version |
| keyed different | 2150-U6           | 2150-U6-01         |
| keyed 2233X     | 2150-U7           | 2150-U7-01         |
| H-dimension 16  | Left-hand version | Right-hand version |
| keyed different | 2150-U8           | 2150-U8-01         |
| keyed 2233X     | 2150-U9           | 2150-U9-01         |

\* Logo recess: 27 x 8 x 0.5  
Multicolour pad print possible

Turn = 90°

Further parts see page  
– Spare key 8B-140

Info

1 Quarter turns



2 Rod controls



3 Locking systems



4 Hinges



5 Seals



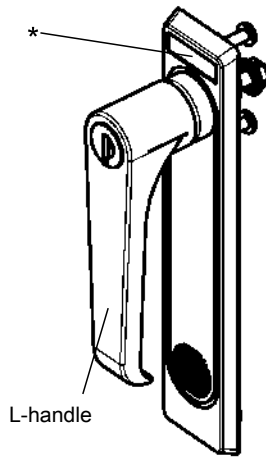
6 Handles

7 Aluminium windows

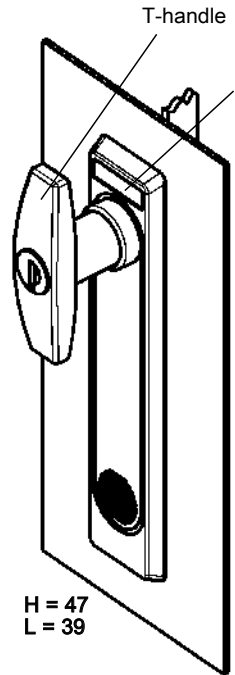
8 Miscellaneous

9 Special catalogues

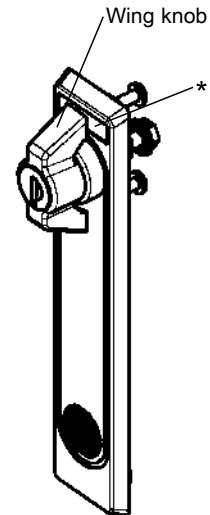
Index



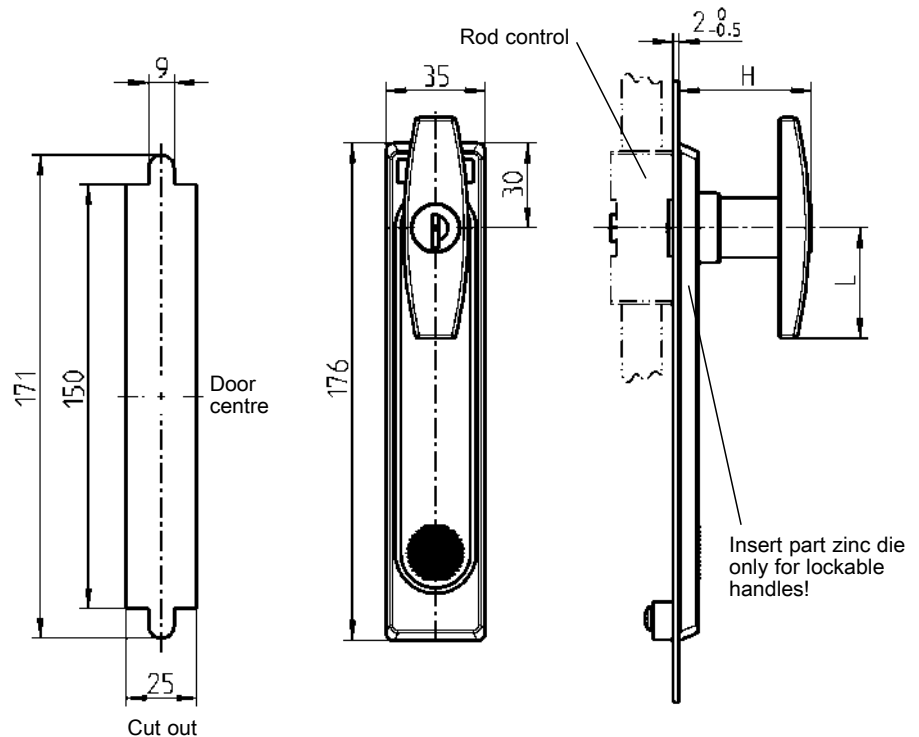
H = 47  
L = 105



H = 47  
L = 39



H = 29  
L = 25



\* Logo recess: 27 x 8 x 0.5  
Multicolour pad print possible

\*\* made of polyamide  
on request

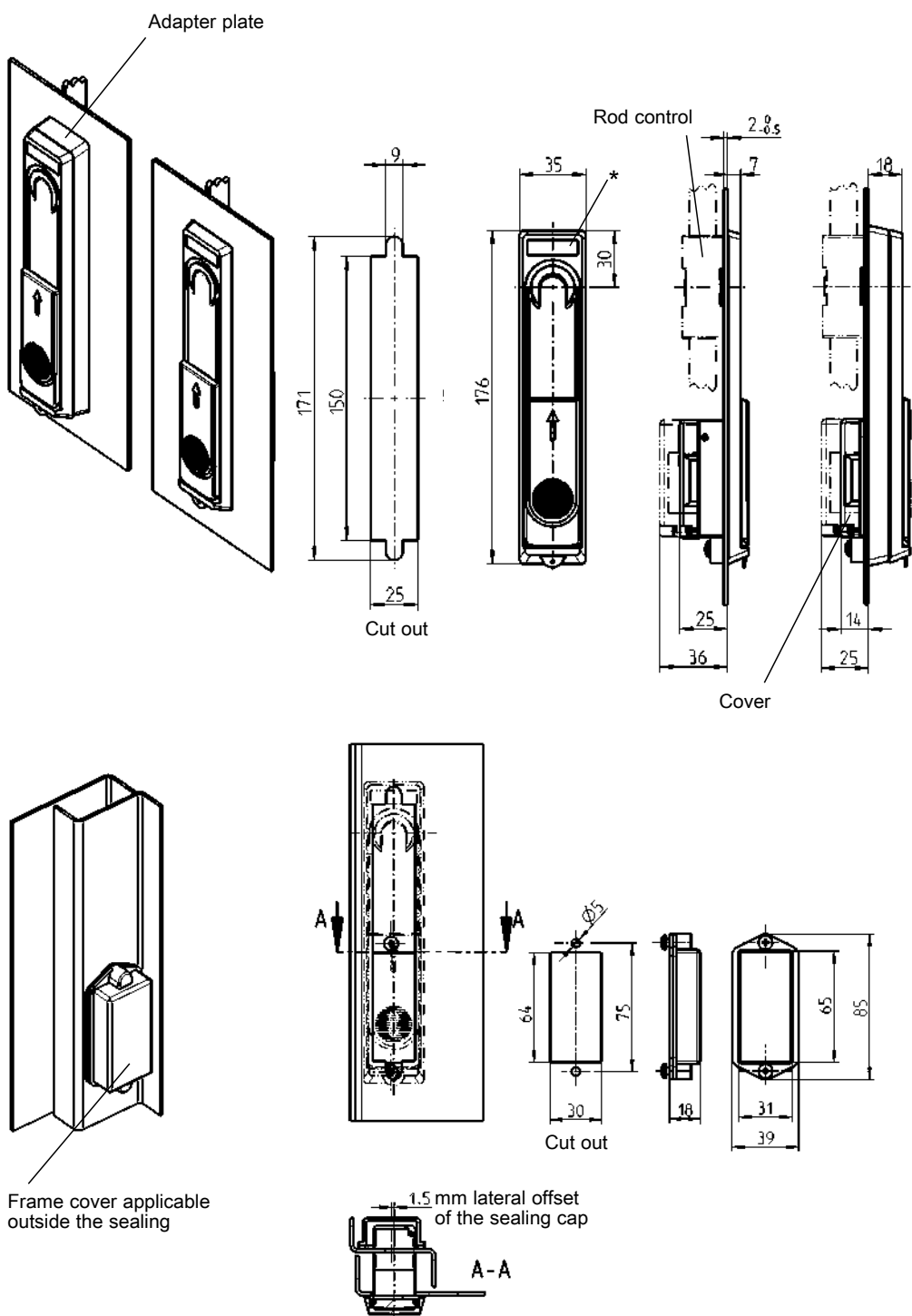
**Further parts see page**

- Spare key 8B-140
- Rod control 3YA-520
- 3YA-540
- 3YB-140
- Bearing bush
- Dust cap for T-handle 1C-340

**Escutcheon polyamide GF black; handle zinc die black powder-coated, round cylinder with stainless steel cap and dust cap, fixing material m.s. zinc-plated, with seal. Each round cylinder has one silver steel key with grip polyamide GF black**

|   | non locking | keyed<br>EK 333 | keyed different |
|---|-------------|-----------------|-----------------|
| Wing knob   | 2153-U9     | 2153-U10        | 2153-U11        |
| T-handle  | 2153-U6     | 2153-U7         | 2153-U8         |
| L-handle  | 2153-U3     | 2153-U4         | 2153-U5         |
| Prepared for KABA cylinder type 1036<br>with standard locking and / or locking systems. |             |                 | on request      |

# Swinghandle PROGRAM 2100



**Note:**  
Swinghandle without locking set

\* Logo recess: 27 x 8 x 0.5  
Multicolour pad print possible

**Further parts see page**  
 – Locking set 3XA-120  
 3XA-140  
 – Locking set ELM  
 Special catalogue Electronics  
 – Rod control 3YA-520  
 3YA-540  
 – Bearing bush 3YB-140

|  |          |
|--|----------|
| <b>Swinghandle polyamide black, handle zinc die chrome-plated, fixing material m.s. zinc-plated, with seal</b> |          |
| Slide cover polyamide black  | 2100-U1  |
| Slide cover zinc die black powder-coated   | 2100-U2  |
| <b>Adapter plate polyamide black, adapter cast steel, fixing material m.s. zinc-plated</b>                     |          |
|  | 2100-U59 |
| <b>Frame cover polyamide black, fixing material m.s. zinc-plated for RH and LH version, with seal</b>          |          |
|  | 2100-U31 |

Info

1 Quarter turns



2 Rod controls



3 Locking systems



4 Hinges

5 Seals

6 Handles



7 Aluminium windows

8 Miscellaneous

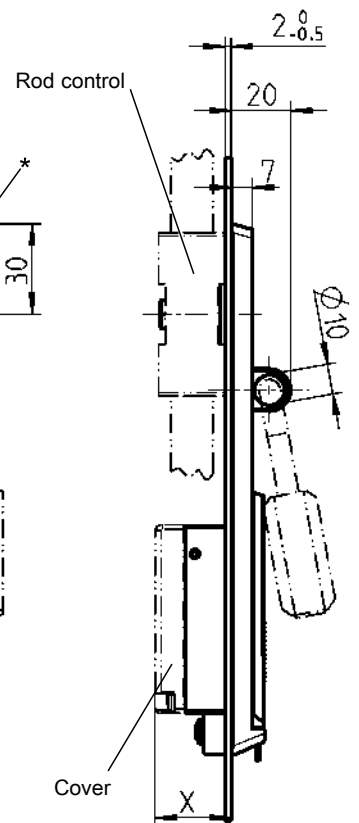
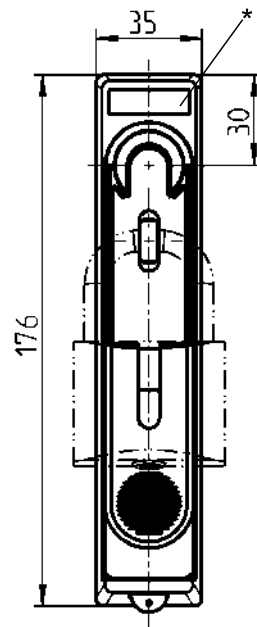
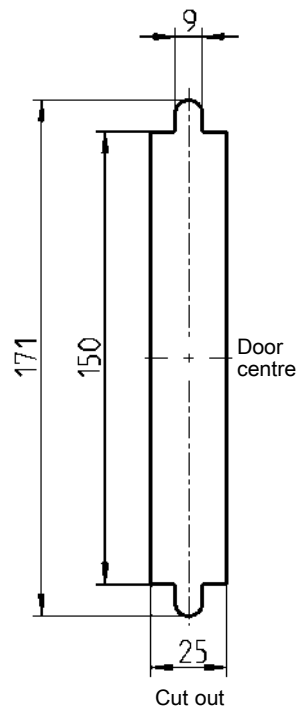
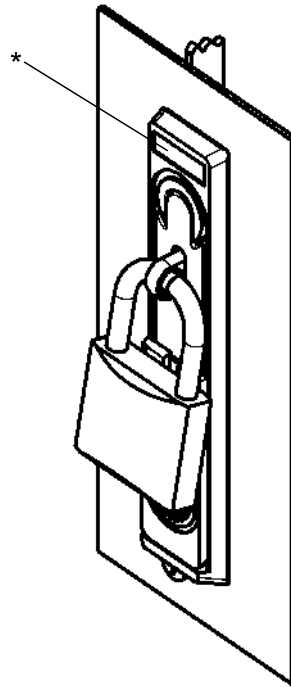
\* Logo recess: 27 x 8 x 0.5  
Multicolour pad print possible

#### Further parts see page

- Locking set 3XA-120  
3XA-140
- Locking set ELM  
Special catalogue Electronics
- Rod control 3YA-520  
3YA-540
- Bearing bush 3YB-140

Index

**3H-420** 01/13  
(3D-260)



Swinghandle polyamide GF black; handle zinc die matt chrome-plated;  
slide cover zinc die black powder-coated; padlock shackle AISI 303;  
fixing material m.s. zinc-plated, with seal

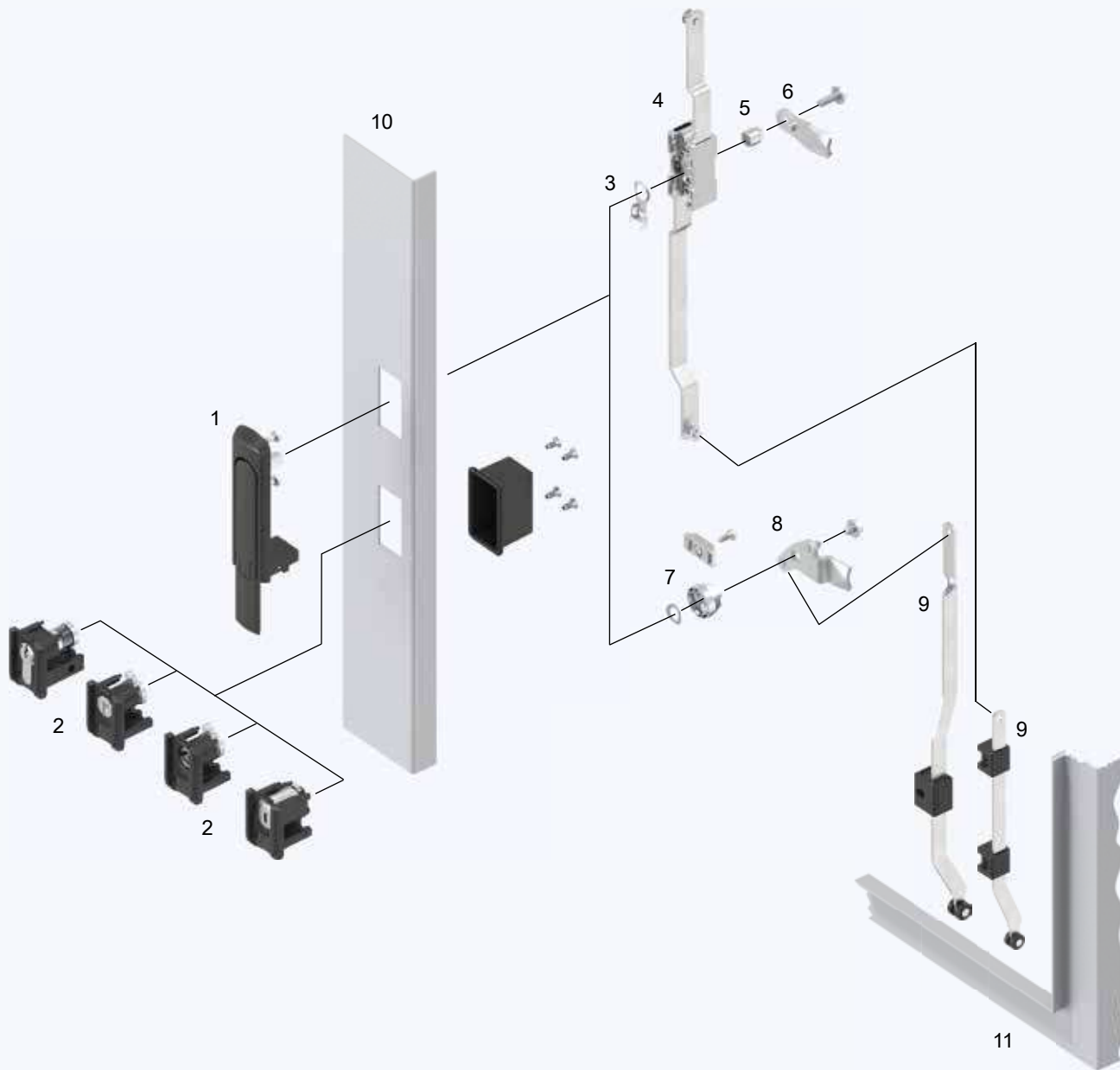
2100-U9

Version Ford achieved with:

Locking set square 7

2100-U33

# Swinghandle Program 2225



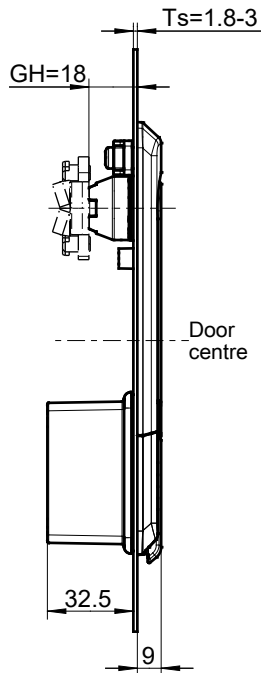
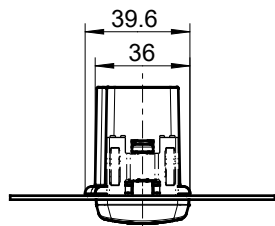
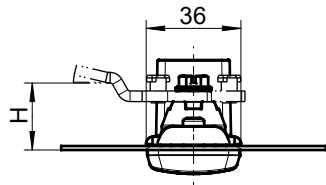
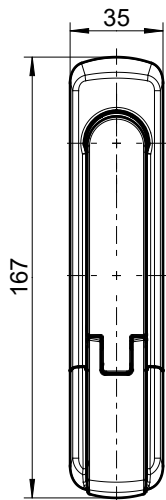
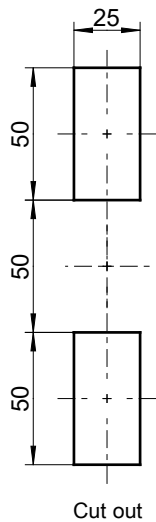
- |    |                          |                 |
|----|--------------------------|-----------------|
| 1  | Flat swinghandle         | 3J-120 - 3J-160 |
| 2  | Locking set              | 3J-120 - 3J-160 |
| 3  | Grounding device         |                 |
| 4  | Rod control              |                 |
| 5  | Adapter                  |                 |
| 6  | Cam                      |                 |
| 7  | Adapter for swinghandle  | 3J-120          |
| 8  | Cam                      |                 |
| 9  | Rod (inside the sealing) |                 |
| 10 | Door                     |                 |
| 11 | Housing / Frame          |                 |



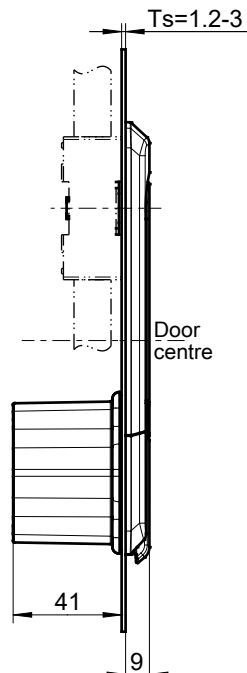
## 3J-100

# Flat swinghandle with locking set

## PROGRAM 2225



Swinghandle with locking set round cylinder or for KABA cylinder or insert and with adapter for cam



Swinghandle with locking set for profile half cylinder and with rod control

Examples of combinations

Adapter for cam 2225-U101, order separately



Customer solution powder-coated in RAL 9006 (other colours on request) 2225-U1-BK



**Easy exchange of the locking sets**  
By removing the two lower screws, the locking set can be easily removed to the front.

### Product benefits

- Flat design
- Easy exchangeable locking unit inserts (locking sets)
- Suitable for standard cut out
- Pre-assembled swinghandle and dish
- Permanent magnet holds the cylinder cover
- Integrated scratch protection prevents surface damage (handle / dish)
- Swinghandle, locking sets and adapter for cam made of zinc die
- Patented



**Swinghandle for locking set and for rod control**  
Handle, dish and cylinder cover zinc die black powder coated;  
pin AISI 303; hook zinc die zinc plated; circlip m.s. zinc plated;  
shaft AISI 303; fixing material m.s. zinc plated; with spring and seal

Please order locking set separately 2225-U1

**Locking set for swinghandle**  
Housing and cap zinc die black powder coated;  
permanent magnet; fixing material m.s. zinc plated; with spring and seal

for 40 mm profile half cylinder (A = 30 mm) 2225-U11

Round cylinder keyed EK 333 2225-U48  
Round cylinder zinc die with stainless steel cap and dust cap.  
Each round cylinder has one silver steel key with polyamide grip GF black.

Round cylinder keyed different 2225-U49  
Round cylinder zinc die with stainless steel cap and dust cap.  
Each round cylinder has one silver steel key with polyamide grip GF black.

Double bit 3; Zinc die chrome-plated 2225-U50

for KABA cylinder type 1036 (provided by customer) 2225-U54

Push button; zinc die black powder-coated 2225-U57

Insert railway; Zinc die chrome-plated 2225-U60

**Adapter for cam**  
90° Stopper zinc die zinc-plated; bridge AISI 316; fixing material m.s. zinc-plated

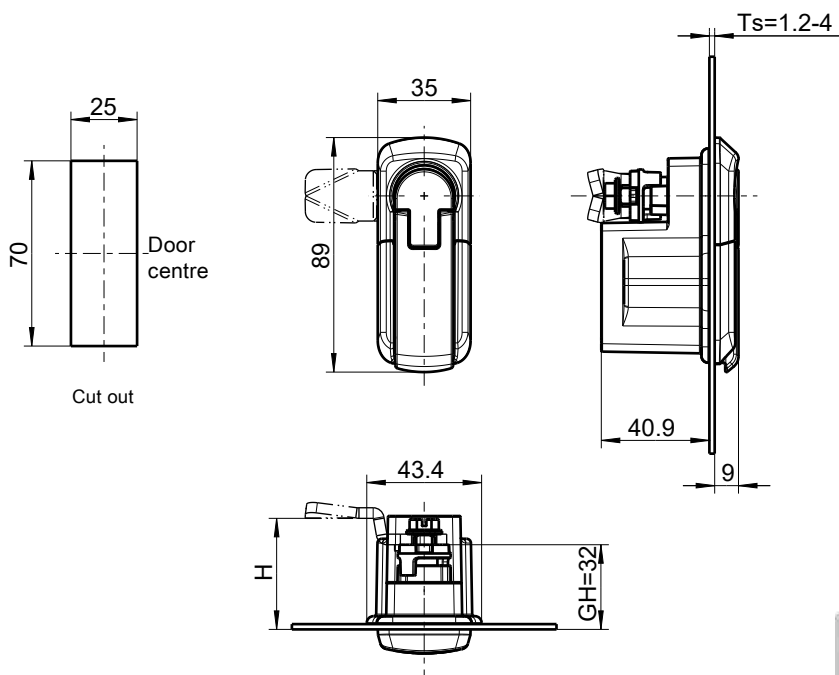
2225-U101

Multicolour pad printing possible

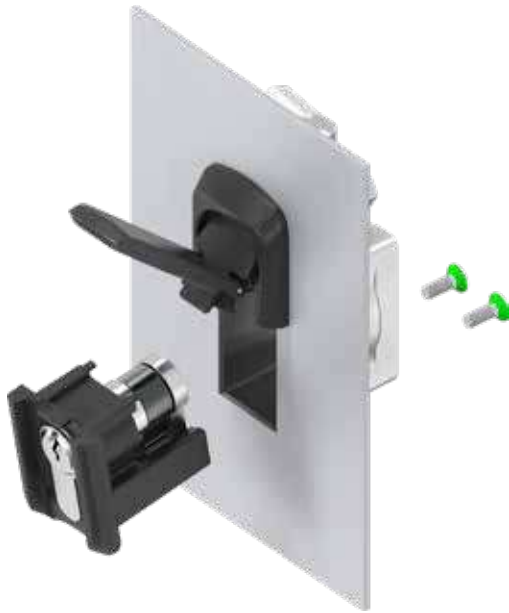
**Further parts see page**

- Profile half cylinder 3XB-320
- Cams (for adapter) 3YC-120
- Rod control 3YA-110
- 3YA-120
- 3YA-140
- Cam for rod control (3-point latch system) 3YA-840

## Flat swinghandle short with locking set

**PROGRAM 2225**





**Easy exchange of the locking sets**  
By removing the two lower screws, the locking set can be easily removed to the front.



### Product benefits

- Flat design
- Easy exchangeable locking unit inserts (locking sets)
- Suitable for standard cut out
- Pre-assembled swinghandle and dish
- Permanent magnet holds the cylinder cover
- Integrated scratch protection prevents surface damage (handle / dish)
- Swinghandle, locking sets and adapter for cam made of zinc die
- Patented

### Swinghandle and cap for locking set and cam

Handle, dish and cylinder cover zinc die black powder-coated; pin AISI 303; hook zinc die zinc-plated; circlip m.s. zinc-plated; shaft AISI 303; with spring and seal

Cap and adapter zinc die zinc-plated; fixing material and locking screw m.s. zinc-plated; with foamed seal

Please order locking set separately

2225-U2

### Locking set (for short swinghandle)

Housing zinc die black powder-coated; permanent magnet; fixing material m.s. zinc-plated; with spring and seal

for 40 mm profile half cylinder (A = 30 mm)

2225-U11-01

Round cylinder keyed EK 333

Round cylinder zinc die with stainless steel cap and dust cap. Each round cylinder has one silver steel key with polyamide grip GF black.

2225-U48-01

Round cylinder keyed different

Round cylinder zinc die with stainless steel cap and dust cap. Each round cylinder has one silver steel key with polyamide grip GF black.

2225-U49-01

for KABA cylinder type 1036 (provided by customer)

2225-U54-01

Double bit 3; Zinc die chrome-plated

2225-U50-01

Push button

2225-U57-01

Insert railway; Zinc die chrome-plated

2225-U60-01

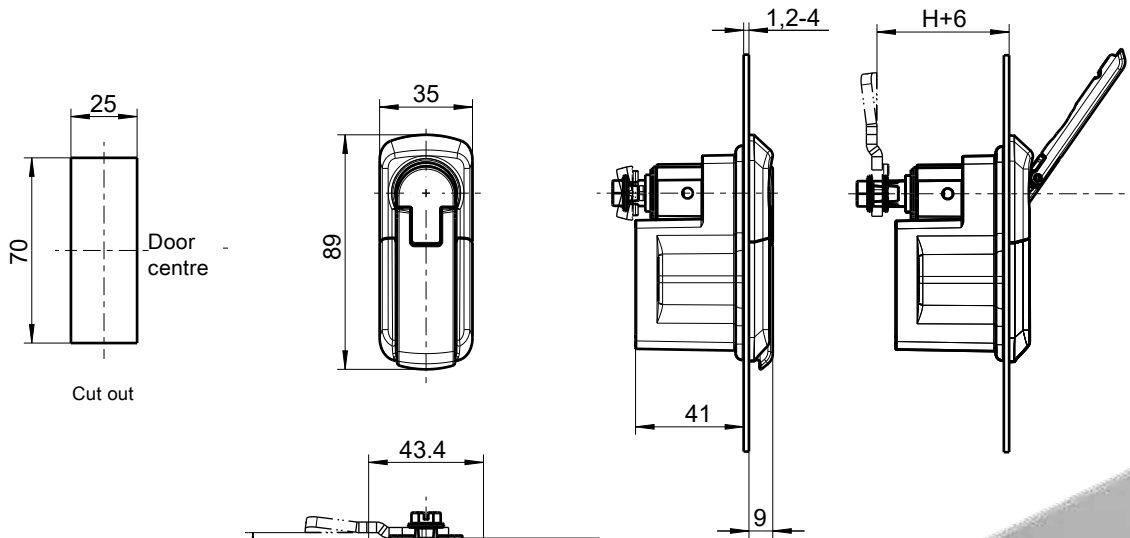
Multicolour pad printing possible

Further door thicknesses on request

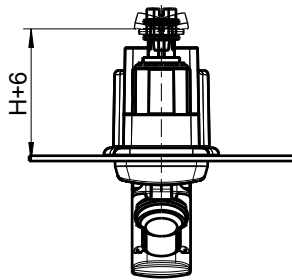
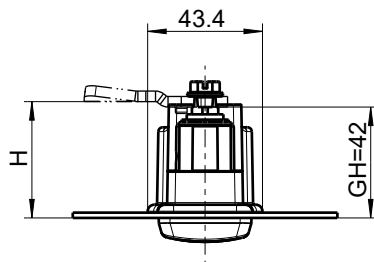
### Further parts see page

– Profile half cylinder 3XB-320  
– Cams (GH = 32) 1C-120

# Flat swinghandle short with locking set with compression function PROGRAM 2225



RH-version shown





**Easy exchange of the locking sets**  
By removing the two lower screws, the locking set can be easily removed to the front.



**DIN**  
EN 61373



**Product benefits**

- Flat design
- Easy exchangeable locking unit inserts (locking sets)
- Suitable for standard cut out
- Pre-assembled swinghandle and dish
- Permanent magnet holds the cylinder cover
- Integrated scratch protection prevents surface damage (handle / dish)
- Swinghandle, locking sets and adapter for cam made of zinc die
- Patented

**Swinghandle and cap with compression function for locking set and cam**

Handle, dish and cylinder cover zinc die black powder-coated; pin AISI 303; hook zinc die zinc-plated; circlip m.s. zinc-plated; shaft AISI 303; with spring and seal

Cap and locking shaft zinc die zinc-plated; fixing material and locking screw m.s. zinc-plated; with foamed seal

| for door version   | Left        | Right      |
|--|-------------|------------|
| Please order locking set separately  | 2225-U3-LI  | 2225-U3-RE |
| <b>Locking set (for short swinghandle)</b>   |             |            |
| Housing zinc die black powder-coated; permanent magnet; fixing material m.s. zinc-plated; with spring and seal   |             |            |
| for 40 mm profile half cylinder (A = 30 mm)  | 2225-U11-01 |            |
| Round cylinder keyed EK 333<br>Round cylinder zinc die with stainless steel cap and dust cap.<br>Each round cylinder has one silver steel key with polyamide grip GF black.    | 2225-U48-01 |            |
| Round cylinder keyed different<br>Round cylinder zinc die with stainless steel cap and dust cap.<br>Each round cylinder has one silver steel key with polyamide grip GF black. | 2225-U49-01 |            |
| for KABA cylinder type 1036 (provided by customer)   | 2225-U54-01 |            |
| Double bit 3; Zinc die chrome-plated   | 2225-U50-01 |            |
| Push button  | 2225-U57-01 |            |
| Insert railway; Zinc die chrome-plated   | 2225-U60-01 |            |

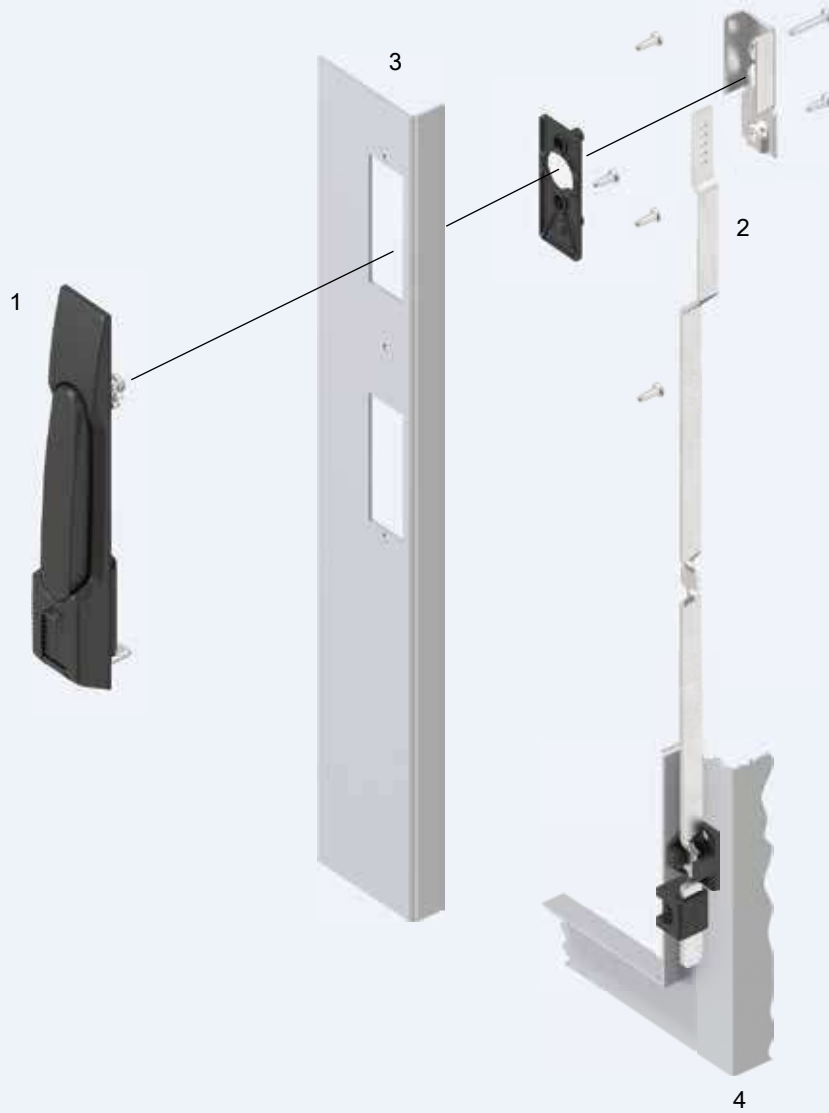
Multicolour pad printing possible

Further door thicknesses on request

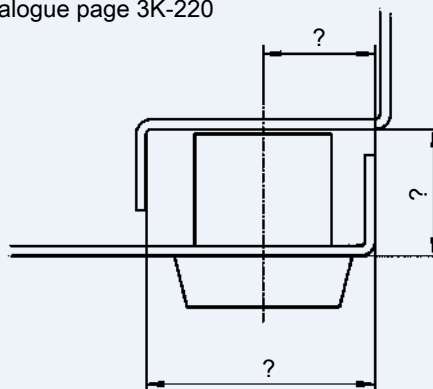
**Further parts see page**  
– Profile half cylinder 3XB-320  
– Cams (GH = 42) 1C-120



# Swinghandle Program 2400



Dimensions for door return  
to 1 = see catalogue page 3K-220



- 1 Swinghandle
- 2 Rod
- 3 Door
- 4 Housing / Frame

3K-220



**3K-100**

Info

1 Quarter turns



2 Rod controls



3 Locking systems

4 Hinges

5 Seals

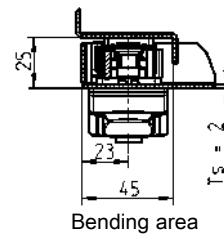
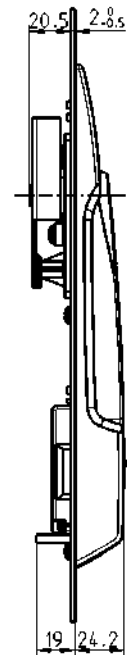
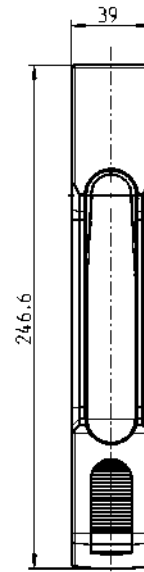
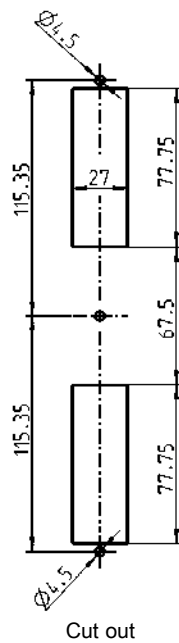
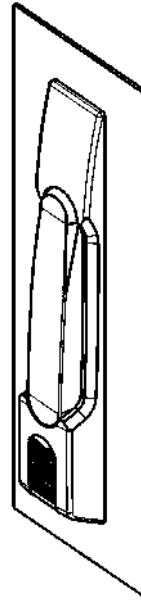
6 Handles

7 Aluminium windows

8 Miscellaneous

9 Special catalogues

Index



Turn = Stroke  
90° = 16 mm

Multicolour pad printing possible

#### Further parts see page

- Locking set without push button 3XA-120
- Locking set with push button 3XA-140
- Locking set ELM 3XA-240
- Special catalogue Electronics on request
- Rod

Swinghandle with push button (2100-U56) polyamide GF black, lock zinc die, fixing material m.s. zinc-plated, with seal

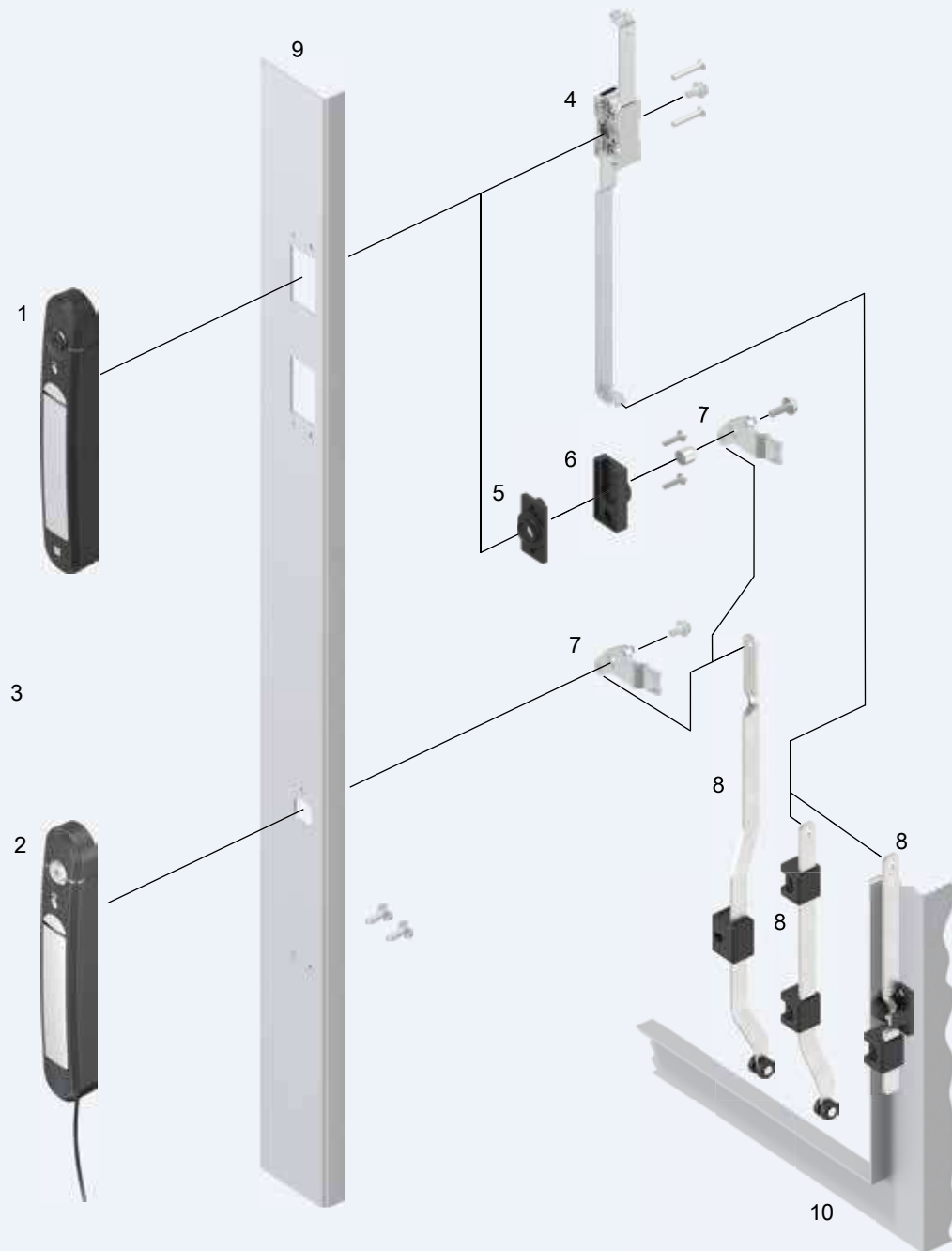
with push button

2400-U3

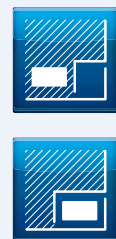
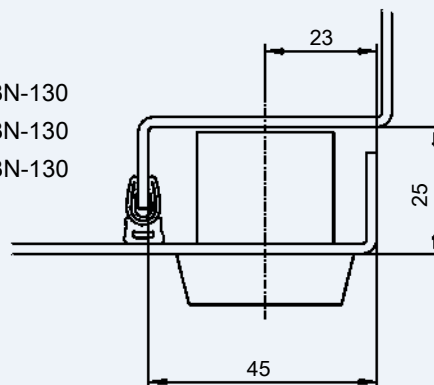
without push button

2400-U4

# Swinghandle *AGENTE* Program 3000



- |    |   |                  |
|----|---|------------------|
| 1  | Swinghandle for rod control or bearing bush | 3N-110 to 3N-130 |
| 2  | Swinghandle with quarter turn for cam       | 3N-110 to 3N-130 |
| 3  | RFID Card                                   | 3N-110 to 3N-130 |
| 4  | Rod control                                 |                  |
| 5  | Adapter plate for bearing bush              |                  |
| 6  | Bearing bush                                |                  |
| 7  | Cam   |                  |
| 8  | Rod   |                  |
| 9  | Door  |                  |
| 10 | Housing / Frame                             |                  |

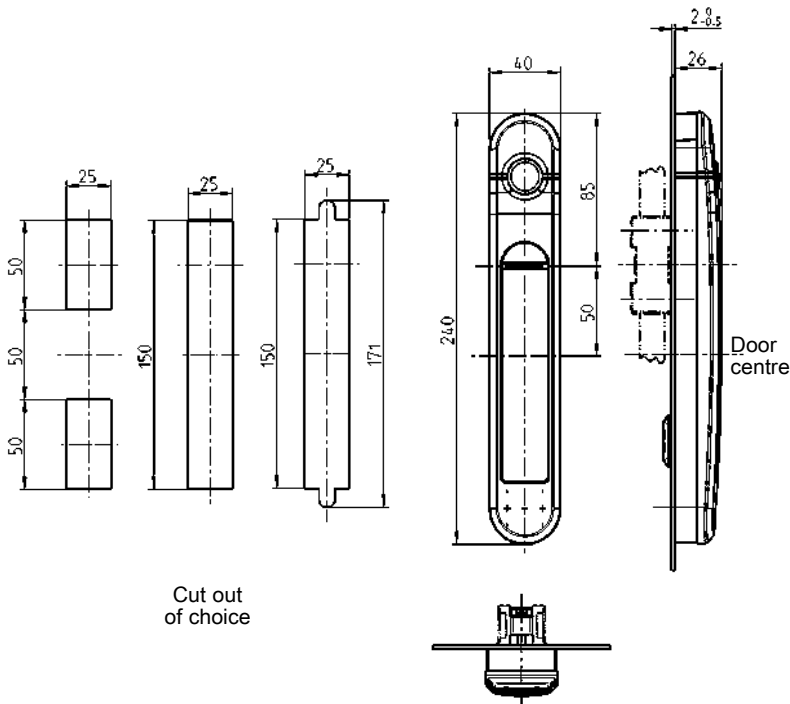


## 3N-100

# Swinghandle Agent E Wired

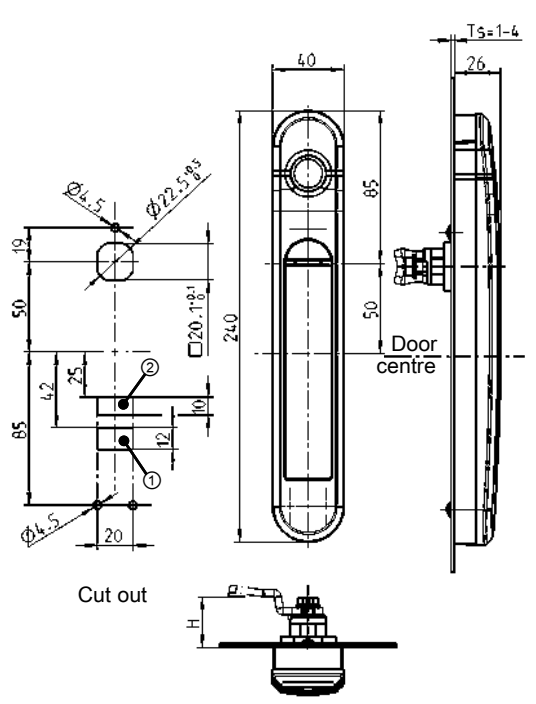
## PROGRAM 3000

Swinghandle for rod control or bearing bush



Cut out of choice

Swinghandle for cam



Cut out

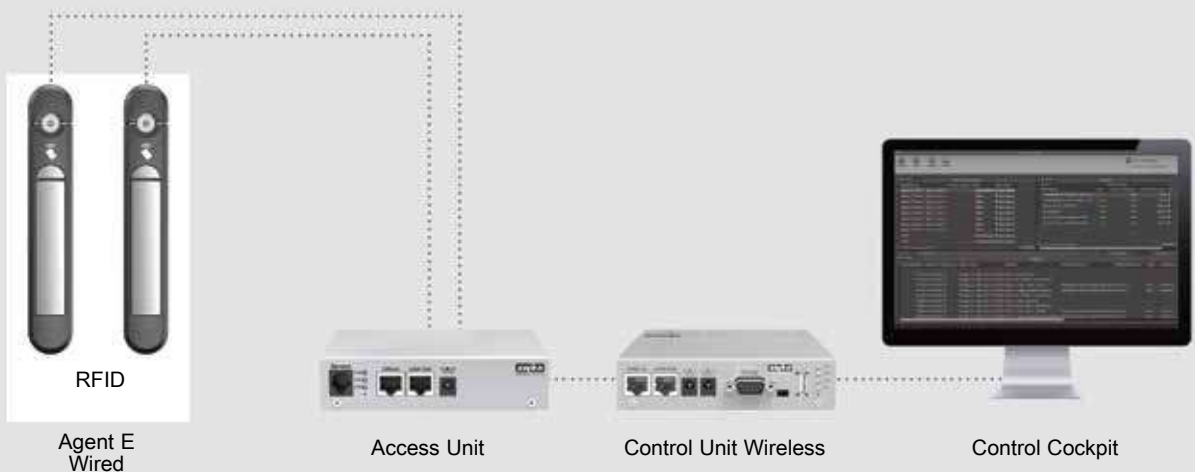
Required for  
 ① = Door contact  
 ② = Power cable

### Swinghandle Agent E Wired - functions

Tk = door contact

| Operation mode        | Authentication                   | Power | Opening standard | Opening optional | Connection option |
|-----------------------|----------------------------------|-------|------------------|------------------|-------------------|
| Wired (cable network) | RFID card (125 kHz or 13.56 MHz) | Cable | Touch            | --               | Tk                |

per Control Unit Wireless max. 32 Access Units ≙ max. 64 handles Agent E Wired





Agent E Wired is the cabled version of the electromechanical swinghandle program. It enables a central and complete logging of events. The authentication is done via RFID cards.

### Features

- Authentication by 125 kHz or 13.56 MHz RFID cards. Remote opening is always possible in addition
- Handle type Wired Slave does not have its own authentication and is released in combination with master handle, central keypad/central card reader or by remote opening. The opening is done by touching the sensor field
- 4 eyes principle for authentication with 2 authorized RFID cards
- The handle has a connection option for a door contact
- In combination with the Access Unit the centre LED in the sensor field can be actuated in order to signal possible malfunctions in the rack such as increased temperature
- Two handles Agent E Wired can be connected to one Access Unit
- Max. 32 Access Units can be administered by one Control Unit Wireless
- An emergency opening is possible by using the integrated USB port
- The installation in cabinets of different manufacturers is solved with various adapters, on request



**Swinghandle Agent E consisting of:**  
 dish polyamide GF black;  
 handle and shaft zinc die powder-coated white aluminium;  
 cable with RJ45 plug 4 m; mounting and operating instructions

|   | for rod control or bearing bush | for cam      |
|---|---------------------------------|--------------|
| Wired with RFID 125 kHz   | on request                      | on request   |
| Wired with RFID 13.56 MHz   | 3000-U900-41                    | 3000-U900-42 |
| Wired Slave   | on request                      | on request   |
| <b>RFID Card</b>  |                                 |              |
| 125 kHz   |                                 | 3000-87      |
| 13.56 MHz   |                                 | 3000-88      |
| <b>Adapter set for bearing bush; adapter plate polyamide GF black; adapter m.s. precision casting zinc-plated; fixing material m.s. zinc-plated</b> |                                 |              |
| for Ts 1.0 - 3.0  |                                 | 3000-U104-01 |
| <b>Adapter set for retrofitting</b>   |                                 |              |
| for various cabinet types   |                                 | on request   |
| <b>USB adapter cable</b>  |                                 |              |
| USB Standard-A on USB Micro-B   |                                 | 3000-U102    |

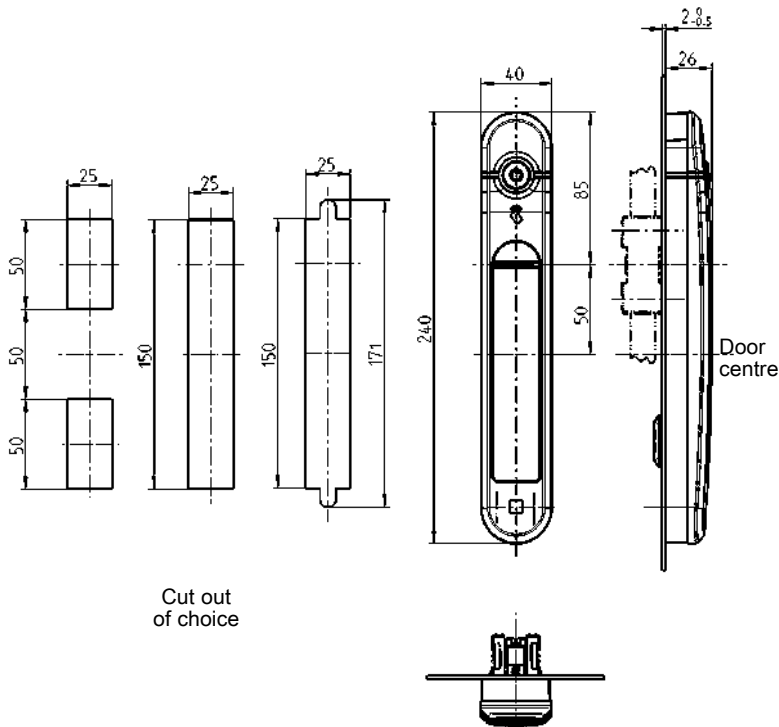
### Further parts see page

- Access Unit  
Special catalogue Electronics
- Door contact  
Special catalogue Electronics
- Rod control 3YA-120  
3YA-140
- Bearing bush 3YB-120
- Cam (GH = 18) 1C-120

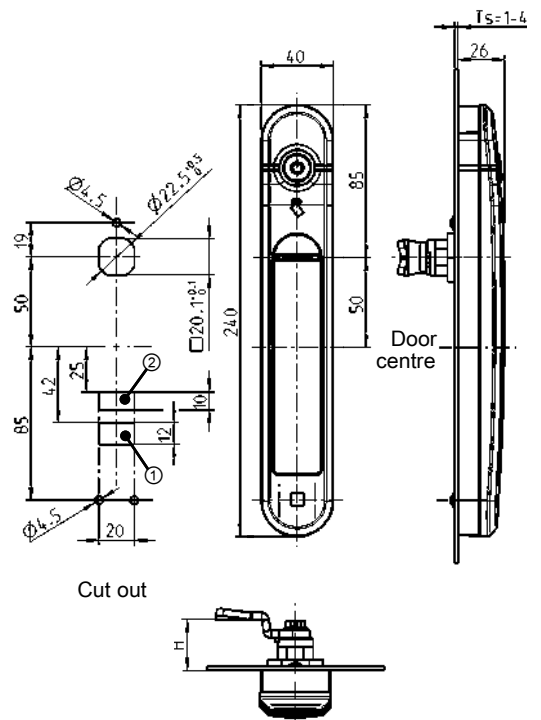
# Swinghandle Agent E Wireless

## PROGRAM 3000

### Swinghandle for rod control or bearing bush



### Swinghandle for cam



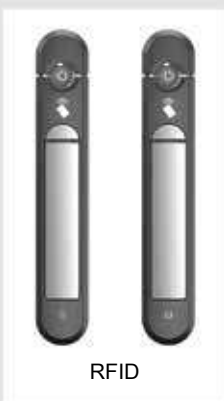
Required for  
 ① = Door contact  
 ② = Not needed

### Swinghandle Agent E Wireless - functions

Tk = door contact

| Operation mode              | Authentication                   | Power   | Opening standard | Opening optional | Connection option |
|-----------------------------|----------------------------------|---------|------------------|------------------|-------------------|
| Wireless (wireless network) | RFID card (125 kHz or 13.56 MHz) | Battery | Immediately      | --               | Tk                |

per control unit wireless max. 16 access units wireless ≙ max. 1,200 handles Agent E Wireless



RFID

Agent E Wireless



Access Unit Wireless



Control Unit Wireless



Control Cockpit

The Agent E Wireless is still the only swinghandle with wireless communication.  
 Due to its wireless and thus cost-saving mounting it is most suitable for retrofitting in data centres.  
 The authentication is done via RFID cards.  
 A highly-efficient power management guarantees a long battery life.

### Features

- Wireless communication for data exchange via wireless network with Access Units Wireless (industrial standard according to national regulations)
- One Control Unit Wireless can actuate up to 1,200 handles Agent E Wireless using Access Units Wireless in one wireless network
- The authentication can be effected by RFID cards with 125 kHz or 13.56 MHz. Remote opening is always possible in addition
- Extremely energy-efficient battery operation (battery life min. 3 years)
- 4 eyes principle for authentication with 2 authorized RFID cards
- The handle has a connection option for a door contact
- An emergency power function is possible with the integrated USB port
- Agent E Wireless is most suitable for retrofitting due to its wireless mounting
- The installation in cabinets of different manufacturers is solved with various adapters, on request



Swinghandle Agent E consisting of:  
 dish polyamide GF black;  
 handle and shaft zinc die powder-coated white aluminium;  
 2 batteries; mounting and operating instructions

| ③ Wireless type for all EU countries plus Switzerland and Norway   | for rod control or bearing bush | for cam      |
|--|---------------------------------|--------------|
| Wireless with RFID 125 kHz   | on request                      | on request   |
| Wireless with RFID 13.56 MHz   | 3000-U911-41                    | 3000-U911-42 |
| RFID Card  |                                 |              |
| 125 kHz  |                                 | 3000-87      |
| 13.56 MHz  |                                 | 3000-88      |
| Adapter set for bearing bush; adapter plate polyamide GF black; adapter m.s. precision casting zinc-plated; fixing material m.s. zinc-plated |                                 |              |
| for Ts 1.0 - 3.0   |                                 | 3000-U104-01 |
| Adapter set for retrofitting   |                                 |              |
| for various cabinet types  |                                 | on request   |

③ **Note:**  
 Wireless versions for other countries on request

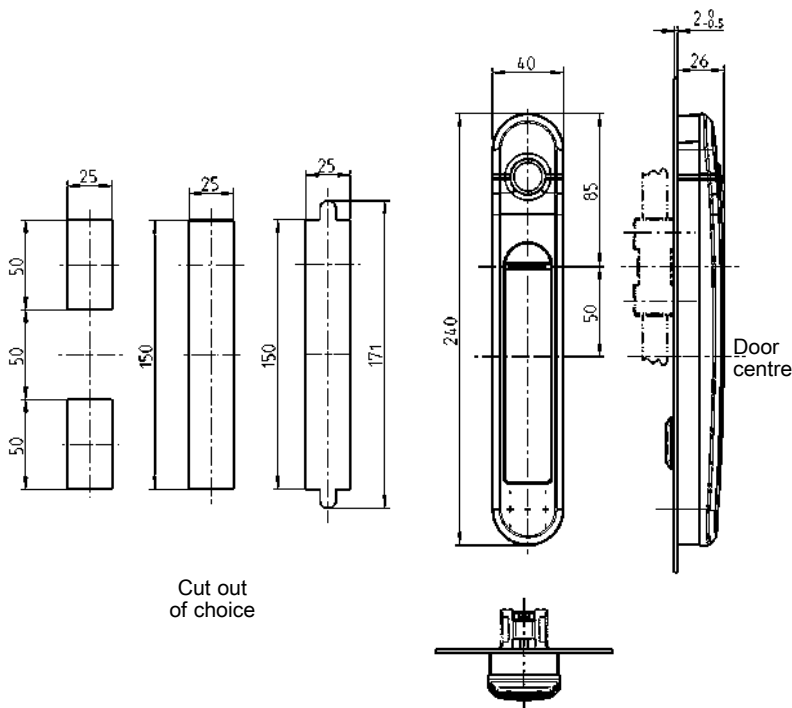
Other card systems such as e.g. Legic or Mifare Desfire EV1 available on request

**Further parts see page**  
 – Access Unit Wireless  
     Special catalogue Electronics  
 – Door contact  
     Special catalogue Electronics  
 – Rod control                     3YA-120  
   3YA-140  
 – Bearing bush                 3YB-120  
 – Cam (GH = 18)               1C-120

# Swinghandle Agent E RFID Stand-Alone

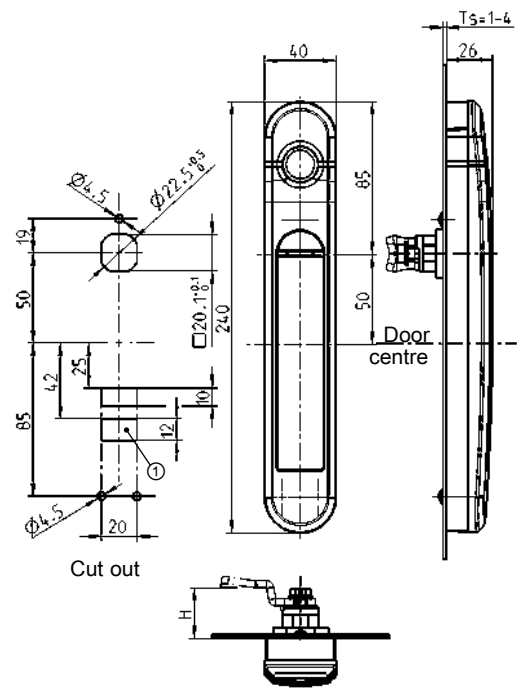
## PROGRAM 3000

### Swinghandle for rod control or bearing bush



Cut out of choice

### Swinghandle for cam



Cut out

Required for  
 ⓐ = Door contact

### Swinghandles Agent E RFID Stand-Alone - functions

Tk = door contact; SA = status display

| Operation mode | Authentication                   | Power   | Opening standard | Opening optional | Connection option |
|----------------|----------------------------------|---------|------------------|------------------|-------------------|
| Stand-Alone    | RFID card (125 kHz or 13.56 MHz) | Battery | Immediately      |                  | Tk                |

max. 128 transponder cards per handle  
 Card management via USB with software tool



### Agent E RFID Stand-Alone

This version consists of a battery-operated Agent E handle with integrated card reader for 125 kHz or 13.56 MHz transponder cards.

By holding an authorised card in front of the integrated reader, the handle will open.

Easy to configure using software.

This handle does not require any external cabling to work.

### Features

- Battery-operated handle with integrated RFID reader
- Authentication by 125 kHz or 13.56 MHz transponder cards
- Extremely energy-efficient battery operation (battery life min. 3 years)
- Configuration via USB port with Agent E configuration software (card administration, time profiles, reading out event logs)
- All handles have a connector for adding a door contact
- Data storage for 2,000 events
- Emergency power function and emergency opening via USB port
- The installation in cabinets of different manufacturers is solved with various adapters, on request



**Swinghandle Agent E consisting of:**  
 dish polyamide GF black;  
 handle and shaft zinc die powder-coated white aluminium;  
 2 batteries, mounting and operating instructions

|   | for rod control or bearing bush | for cams     |
|---|---------------------------------|--------------|
| Stand-Alone with RFID 125 kHz   | on request                      | on request   |
| Stand-Alone with RFID 13.56 MHz   | 3000-U910-21                    | 3000-U910-22 |
| <b>Transponder card</b>   |                                 |              |
| 125 kHz   |                                 | 3000-87      |
| 13.56 MHz   |                                 | 3000-88      |
| <b>Adapter set for bearing bush; adapter plate polyamide GF black; adapter m.s. precision casting zinc-plated; fixing material m.s. zinc-plated</b> |                                 |              |
| for Ts 1.0 - 3.0  |                                 | 3000-U104-01 |
| <b>Adapter set for retrofitting</b>   |                                 |              |
| for various cabinet types   |                                 | on request   |
| <b>USB adapter cable</b>  |                                 |              |
| USB Standard-A on USB Micro-B   |                                 | 3000-U102    |

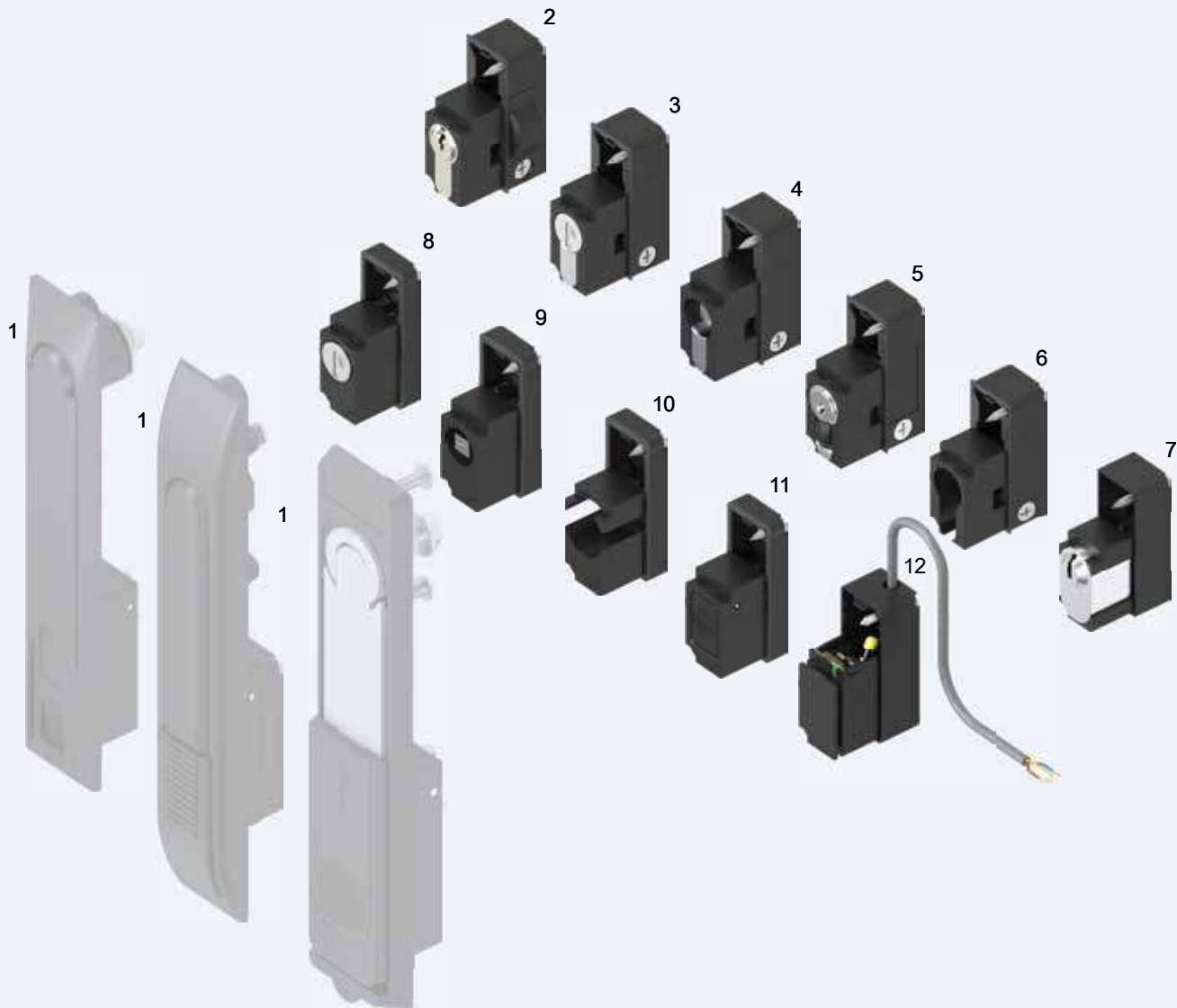
### Further parts see page

- Rod control 3YA-120
  - 3YA-140
  - Bearing bush 3YB-120
  - Cam (GH = 18) 1C-120
  - Door contact
- Special catalogue Electronics



# Locking sets

## Program 1107, 1150, 1180, 1190, 1390, 2100, 2400



- 1 **Swinghandle Program 1107, 1150, 1180, 1190, 1390, 2100, 2400**
- 2 Locking set with profile half cylinder according to DIN 18252
- 3 Locking set with profile half cylinder with round cylinder
- 4 Locking set with profile half cylinder with insert
- 5 Locking set with profile half cylinder with round cylinder and push button
- 6 Locking set for profile half cylinder according to DIN 18252 is provided by the customer
- 7 Locking set for ASSA cylinder is provided by the customer
- 8 Locking set with round cylinder
- 9 Locking set with insert
- 10 Locking set for KABA cylinder is provided by the customer
- 11 Locking set with push button
- 12 Locking set ELM see special catalogue Electronics

# 3XA-100

### Locking set

PROGRAM 1107, 1150, 1180, 1190, 1390, 2100, 2400

Info

1 Quarter turns

2 Rod controls

3 Locking systems

4 Hinges

5 Seals

6 Handles

7 Aluminium windows

8 Miscellaneous

9 Special catalogues

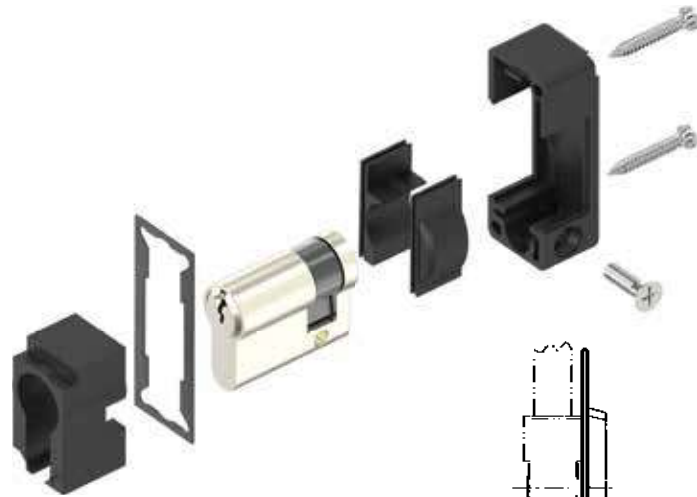
Index



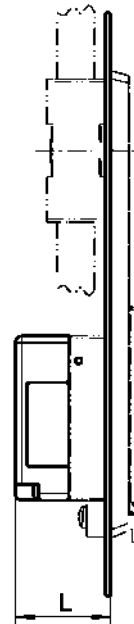
**1109-U52 and 1109-U53**  
In unlocked position the handle operates by pressing the push button.



**2100-U6**  
for ASSA cylinder. Attention! ASSA cylinder and 2 fixing screws M5x8 are not included in scope of delivery.



| Program | Dimension L |
|---------|-------------|
| 1150    | .42         |
| 1180    | .32         |
| 1190    | .29.5       |
| 1390    | -           |
| 2100    | .36         |
| 2400    | .23         |



Locking set polyamide black with or without profile half cylinder or ASSA cylinder, fixing material m.s. zinc-plated., with seal

Locking set profile half cylinder according to DIN 18252, brass nickel-plated with 3 keys (also available as master key system)

|  |         |                      |          |
|--|---------|----------------------|----------|
| keyed different  | 1089-U5 | keyed alike 110319 N | 1089-U6  |
| for profile half cylinder 40 mm (A = 30 mm) to be supplied by the customer |         |                      | 2100-U11 |

Locking set profile half cylinder with round cylinder zinc die with stainless steel cap and dust protection

Each round cylinder has one silver steel key with grip polyamide GF black

|                 |          |              |          |
|-----------------|----------|--------------|----------|
| keyed different | 1109-U50 | keyed EK 333 | 1109-U51 |
|-----------------|----------|--------------|----------|

Locking set profile half cylinder with push button, round cylinder zinc die chrome-plated. Each round cylinder has one silver steel key with grip polyamide GF black

|                 |          |             |          |
|-----------------|----------|-------------|----------|
| keyed different | 1109-U52 | keyed 2233X | 1109-U53 |
|-----------------|----------|-------------|----------|

Locking set profile half cylinder with insert zinc die chrome-plated

|                      |          |                                |          |
|----------------------|----------|--------------------------------|----------|
| Square 6             | 1109-U18 | Double bit 3                   | 1109-U34 |
| Square 7             | 1109-U19 | Double bit 5                   | 1109-U35 |
| Square 8             | 1109-U20 | Hexagon female SW 10           | 1109-U27 |
| Square 8 slotted     | 1109-U21 | Square female 6                | 1109-U28 |
| Triangular 6.5 CNOMO | 1109-U22 | Square female 8                | 1109-U29 |
| Triangular 7         | 1109-U23 | Daimler Benz                   | 1109-U30 |
| Triangular 8         | 1109-U24 | Slot 1.2 x 3                   | 1109-U31 |
| Triangular 9         | 1109-U25 | Slot 2 x 4                     | 1109-U32 |
| Triangular 10        | 1109-U26 | Crown type                     | 1109-U33 |
|                      |          | Eastern Europe Ø 13 half-round | 1109-U58 |

Locking set for ASSA cylinder is provided by the customer (without seal)

2100-U6

Further parts see page  
– Key 8B-120

**Program 1150**  
– Swinghandle 1151 3C-420  
3C-440

**Program 1180**  
– Swinghandle 3E-120  
to 3E-520

**Program 1190**  
– Lifthandle 3F-120

**Program 1390**  
– Lifthandle 3FA-120

**Program 2100**  
– Swinghandle 3H-320  
to 3H-420

**Program 2400**  
– Swinghandle 3K-220



# Locking set

PROGRAM 1107, 1150, 1180, 1390, 2100, 2400

All round cylinders and inserts are spring-loaded

| Program | Dimension L |
|---------|-------------|
| 1150    | 31.5        |
| 1180    | 21.5        |
| 1390    | -           |
| 2100    | 25          |
| 2400    | 20          |



**2100-U54**  
Prepared for KABA cylinder.  
Attention! KABA cylinder and 2 countersunk screws M2,3x8 are not included in scope of delivery.

**Locking set polyamide GF black with round cylinder or insert, fixing material m.s. zinc-plated, with seal**

**Locking set round cylinder zinc die with stainless steel cap and dust cap. Each round cylinder has one silver steel key with grip polyamide GF black**

|   |          |                 |          |
|---|----------|-----------------|----------|
| keyed EK 333  | 2100-U48 | keyed different | 2100-U49 |
| Installation kit for KABA cylinder type 1036 (provided by customer) |          |                 | 2100-U54 |

**Locking set insert zinc die chrome-plated**

|                      |          |                                |          |
|----------------------|----------|--------------------------------|----------|
| Square 6             | 2100-U32 | Hexagon female SW 10           | 2100-U41 |
| Square 7             | 2100-U33 | Square female 6                | 2100-U42 |
| Square 8             | 2100-U34 | Square female 8                | 2100-U43 |
| Square 8 slotted     | 2100-U35 | Daimler Benz                   | 2100-U44 |
| Triangular 6.5 CNOMO | 2100-U36 | FIAT                           | 2100-U53 |
| Triangular 7         | 2100-U37 | Slot 1.2 x 3                   | 2100-U45 |
| Triangular 8         | 2100-U38 | Slot 2 x 4                     | 2100-U46 |
| Triangular 9         | 2100-U39 | Crown type                     | 2100-U47 |
| Triangular 10        | 2100-U40 | Eastern Europe Ø 13 half-round | 2100-U58 |
| Double bit 3         | 2100-U50 | Push button                    | 2100-U57 |
| Double bit 5         | 2100-U51 |                                |          |

**Further parts see page**  
– Key 8B-120

**Program 1150**  
– Swinghandle 1151 3C-420  
3C-440

**Program 1180**  
– Swinghandle 1185 3E-520

**Program 1390**  
– Lifthandle 3FA-120

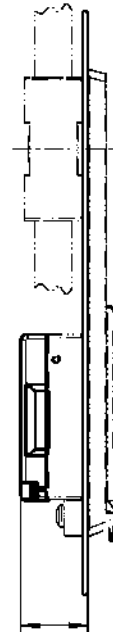
**Program 2100**  
– Swinghandle 3H-320  
to 3H-420

**Program 2400**  
– Swinghandle 3K-220



All round cylinders and inserts are spring-loaded

| Program | Dimension L |
|---------|-------------|
| 1180    | .21.5       |
| 1190    | .29.5       |
| 2400    | .20         |



**Locking set polyamide GF black, fixing material m.s. zinc-plated**

**Round cylinder zinc die with stainless steel cap and dust cap.**

**Each round cylinder has one silver steel key with grip polyamide GF black**

|                 |          |
|-----------------|----------|
| keyed EK 333    | 2100-B30 |
| keyed different | 2100-B31 |

**Insert zinc die chrome-plated**

|                                |          |
|--------------------------------|----------|
| Square 6                       | 2100-B14 |
| Square 7                       | 2100-B15 |
| Square 8                       | 2100-B16 |
| Square 8 slotted               | 2100-B17 |
| Triangular 6.5 CNOMO           | 2100-B18 |
| Triangular 7                   | 2100-B19 |
| Triangular 8                   | 2100-B20 |
| Triangular 9                   | 2100-B21 |
| Triangular 10                  | 2100-B22 |
| Double bit 3                   | 2100-B32 |
| Double bit 5                   | 2100-B33 |
| Hexagon female SW 10           | 2100-B23 |
| Square female 6                | 2100-B24 |
| Square female 8                | 2100-B25 |
| Daimler Benz                   | 2100-B26 |
| FIAT                           | 2100-B34 |
| Slot 1.2 x 3                   | 2100-B27 |
| Slot 2 x 4                     | 2100-B28 |
| Crown type                     | 2100-B29 |
| Eastern Europe Ø 13 half-round | 2100-B36 |
| Push button                    | 2100-U56 |

**Further parts see page**  
 – Key 8B-120

**Program 1180**  
 – Swinghandle 1180 3E-120  
 to 3E-320

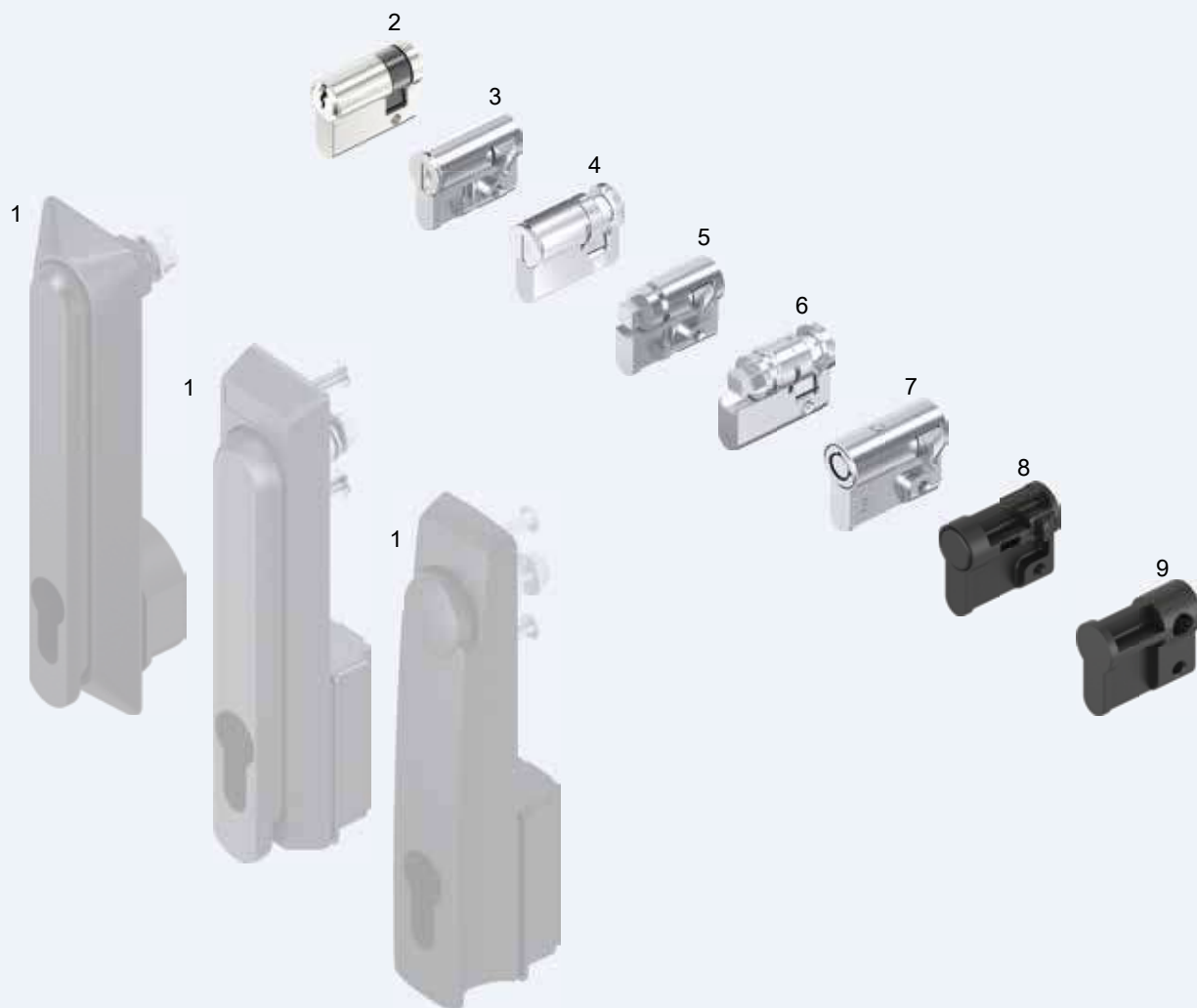
**Program 1190**  
 – Swinghandle 3F-120

**Program 2400**  
 – Swinghandle 3K-220

# Locking sets

## Profile half cylinder

### Program 1107, 1125, 1150, 1225, 1190, 1317, 1325, 2225



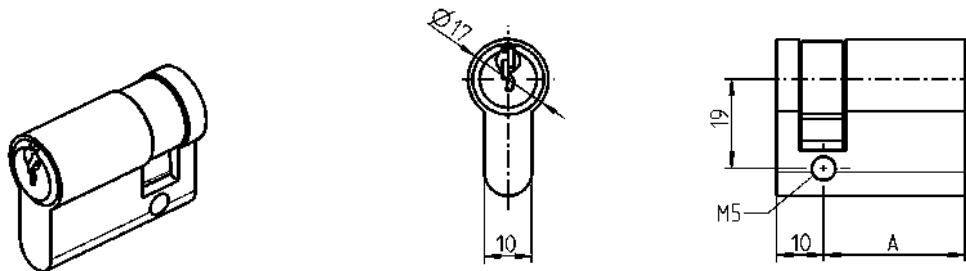
- 1 **Swinghandle Program 1107, 1125, 1150, 1225, 1190, 1317, 1325, 2225**
- 2 Profile half cylinder DIN 18252
- 3 Profile half cylinder with round cylinder with spring return
- 4 Profile half cylinder with round cylinder
- 5 Profile half cylinder with insert with spring return
- 6 Profile half cylinder with insert
- 7 Profile half cylinder with radial pin cylinder with spring return
- 8 Profile half cylinder with push button
- 9 Blind plug

# 3XB-100

# Profile half cylinder

**PROGRAM 1107, 1125, 1150, 1225, 1317, 1325**

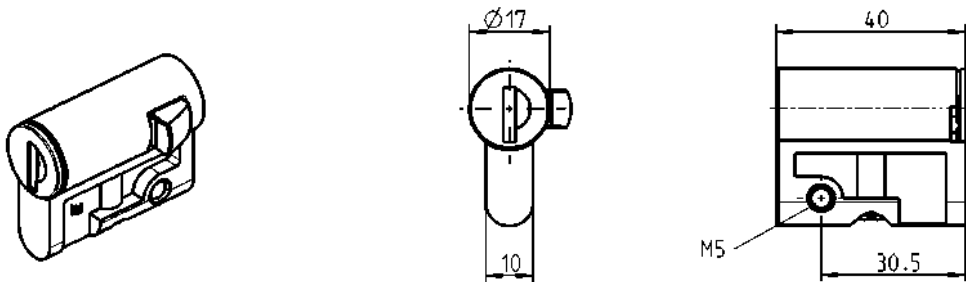
Profile half cylinder according to DIN 18252 (EN 1303)



Profile half cylinder according to DIN 18 252 brass nickel-plated with 3 keys, locking cam reversible every 45°

|                                |        |         |
|--------------------------------|--------|---------|
| keyed different                | A = 30 | 1089-U1 |
| keyed 110319 N                 | A = 30 | 1089-U2 |
| (Master key system on request) |        |         |

EMKA profile half cylinder with round cylinder



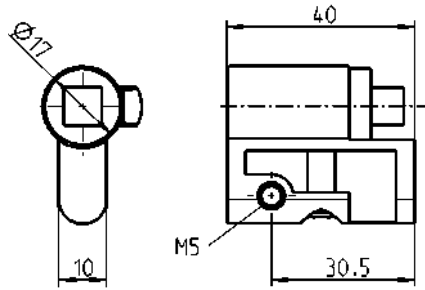
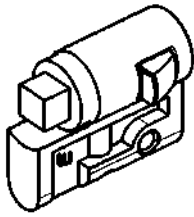
EMKA profile half cylinder with round cylinder zinc die with stainless steel cap and dust cap, one key made of nickel silver per round cylinder with grip polyamide GF black.

|                 |           |
|-----------------|-----------|
| keyed different | 1109-U1-N |
| keyed EK 333    | 1109-U2-N |

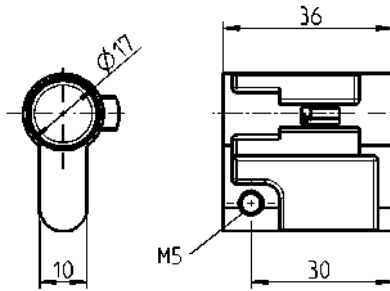
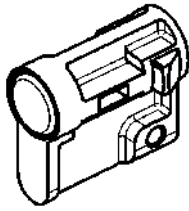
EMKA profile half cylinder with insert zinc die chrome-plated, spring loaded return of locking cam into locked position.

|                                |            |
|--------------------------------|------------|
| Square 6                       | 1109-U4-N  |
| Square 7                       | 1109-U5-N  |
| Square 8                       | 1109-U6-N  |
| Square 8 slotted               | 1109-U7-N  |
| Triangular 6.5 CNOMO           | 1109-U17-N |
| Triangular 7                   | 1109-U8-N  |
| Triangular 8                   | 1109-U9-N  |
| Double bit 3                   | 1109-U10-N |
| Double bit 5                   | 1109-U11-N |
| Hexagon female SW 8            | 1109-U12-N |
| Hexagon female SW 10           | 1109-U13-N |
| Square female 8                | 1109-U55-N |
| Slot 2 x 4                     | 1109-U14-N |
| Daimler Benz                   | 1109-U15-N |
| Eastern Europe Ø 13 half-round | 1109-U54-N |

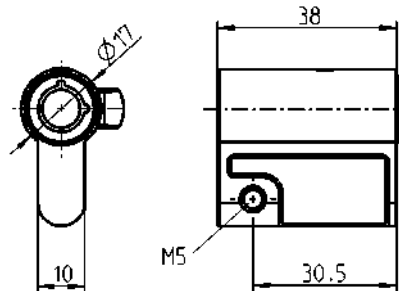
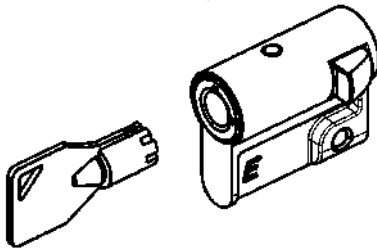
EMKA profile half cylinder with insert



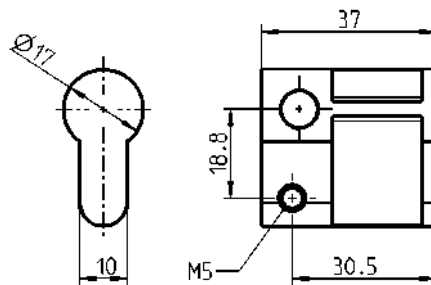
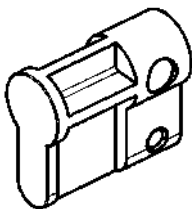
Push button profile half cylinder



Radial pin snap-in cylinder



Blind plug



Push button profile half cylinder polyamide GF black

1109-U59

Radial pin snap-in cylinder zinc die chrome-plated, spring-loaded return of locking cam into locked position. Key only removable in locked position.

keyed 20001

1109-U60

keyed different

1109-U61

Spare key 20001

1108-U52

Spare key, keyed different

1108-U52-V

Blind plug polyamide GF black, spring-loaded ball m.s. burnished

with spring-loaded ball

1109-U3

without spring-loaded ball

1109-09-AA

**Further parts see page**

- Key 8B-120
- Spare key 8B-140
- Locking set 3XC-120

**Program 1107**

- Swinghandle 3A-120 to 3A-320

**Program 1125**

- Swinghandle 3B-220 to 3B-420

**Program 1150**

- Swinghandle 1153 3C-320
- Swinghandle 1154 3C-220 to 3C-260

**Program 1190**

- Lifhandle 3F-330

**Program 1225**

- Swinghandle 3G-220

**Program 1317**

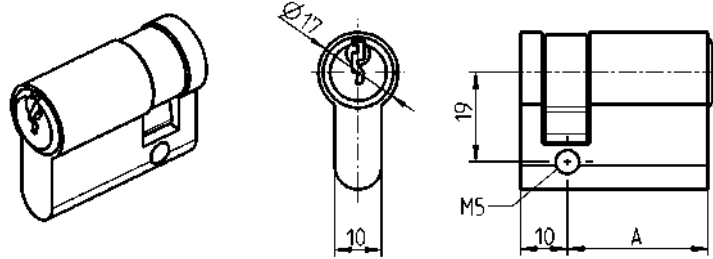
- Swinghandle 3AB-120 to 3AB-140

**Program 1325**

- Swinghandle 3BA-220

## Profile half cylinder PROGRAM 1125, 1225, 1317

Profile half cylinder according to DIN 18252 (EN 1303)



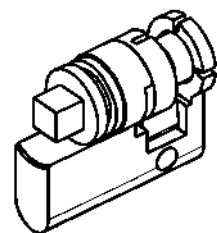
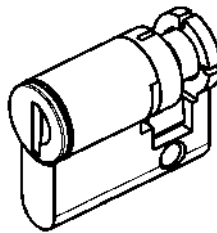
Profile half cylinder according to DIN 18 252 brass nickel-plated with 3 keys, locking cam reversible every 45°

|                                |        |         |
|--------------------------------|--------|---------|
| keyed different                | A = 30 | 1089-U1 |
| keyed 110319 N                 | A = 30 | 1089-U2 |
| (Master key system on request) |        |         |



EMKA profile half cylinder with round cylinder, turn 360°

EMKA Profile half cylinder with insert, turn 360°



EMKA profile half cylinder with round cylinder zinc die with stainless steel cap and dust cap, each round cylinder has one silver steel key with grip polyamide GF black, turn 360°

|                                 |            |
|---------------------------------|------------|
| keyed different or keyed EK 333 | on request |
|---------------------------------|------------|

EMKA profile half cylinder with insert zinc die chrome-plated., turn 360°

|  |            |
|--|------------|
| Insert, e.g. square, triangular, double bit, slot and more | on request |
|--|------------|

**Note:**  
For the swinghandle 1225-U60 (3G-320) only profile half cylinders 1089-U1 or 1089-U2 can be used!

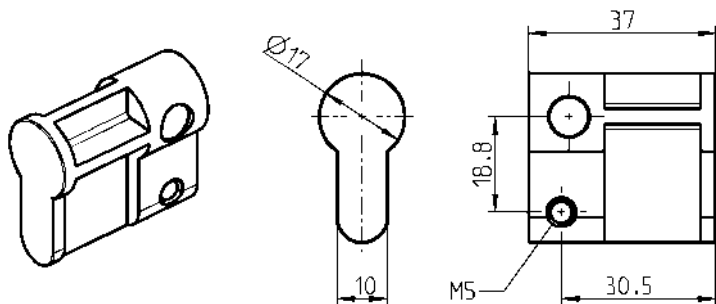
**Further parts see page**  
 - Key 8B-120  
 - Spare key 8B-140

**Program 1125**  
 - Swinghandle 3B-320

**Program 1225**  
 - Swinghandle 3G-320

**Program 1317**  
 - Swinghandle 3AB-160

### Blind plug



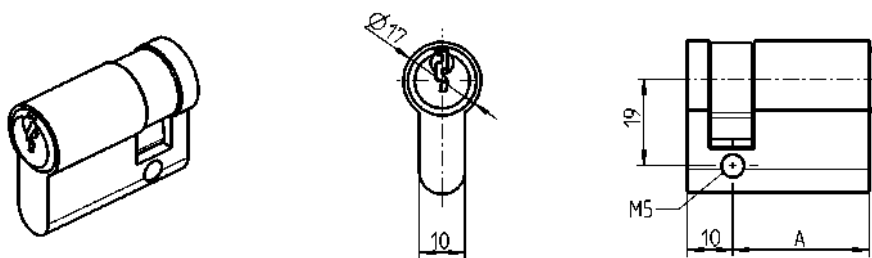
Blind plug polyamide GF black

1109-09-AA

# Profile half cylinder

PROGRAM 1150, 1190, 2225

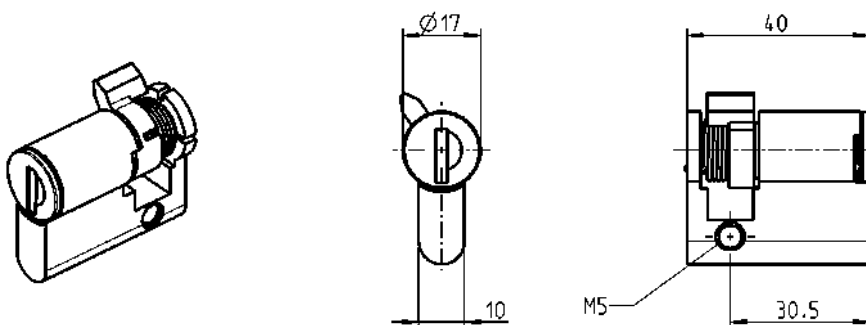
Profile half cylinder according to DIN 18252 (EN 1303)



Profile half cylinder according to DIN 18252 brass nickel-plated with 3 keys, locking cam reversible every 45°

|                                |        |         |
|--------------------------------|--------|---------|
| keyed different                | A = 30 | 1089-U1 |
| keyed 110319 N                 | A = 30 | 1089-U2 |
| (Master key system on request) |        |         |

## EMKA profile half cylinder with round cylinder



EMKA profile half cylinder with round cylinder zinc die with stainless steel cap and dust cap, key only removable in locked position, spring-loaded return of locking cam into locked position. Each round cylinder has one silver steel key with grip polyamide GF black

|                 |             |
|-----------------|-------------|
| keyed different | 1109-U50-01 |
| keyed EK 333    | 1109-U51-01 |

EMKA profile half cylinder with insert zinc die chrome-plated, spring-loaded return of locking cam into locked position

|                                |             |
|--------------------------------|-------------|
| Square 6                       | 1109-U18-01 |
| Square 7                       | 1109-U19-01 |
| Square 8                       | 1109-U20-01 |
| Square 8 slotted               | 1109-U21-01 |
| Triangular 6.5 CNOMO           | 1109-U22-01 |
| Triangular 7                   | 1109-U23-01 |
| Triangular 8                   | 1109-U24-01 |
| Triangular 9                   | 1109-U25-01 |
| Triangular 10                  | 1109-U26-01 |
| Double bit 3                   | 1109-U34-01 |
| Double bit 5                   | 1109-U35-01 |
| Hexagon female SW 10           | 1109-U27-01 |
| Square female 6                | 1109-U28-01 |
| Square female 8                | 1109-U29-01 |
| Daimler Benz                   | 1109-U30-01 |
| Slot 1.2 x 3                   | 1109-U31-01 |
| Slot 2 x 4                     | 1109-U32-01 |
| Crown type                     | 1109-U33-01 |
| Eastern Europe Ø 13 half-round | 1109-U58-01 |



### Further parts see page

- Key 8B-120
- Spare key 8B-140

**Program 1150**  
- Swinghandle 1154 3C-280

**Program 1190**  
- Swinghandle 3F-430

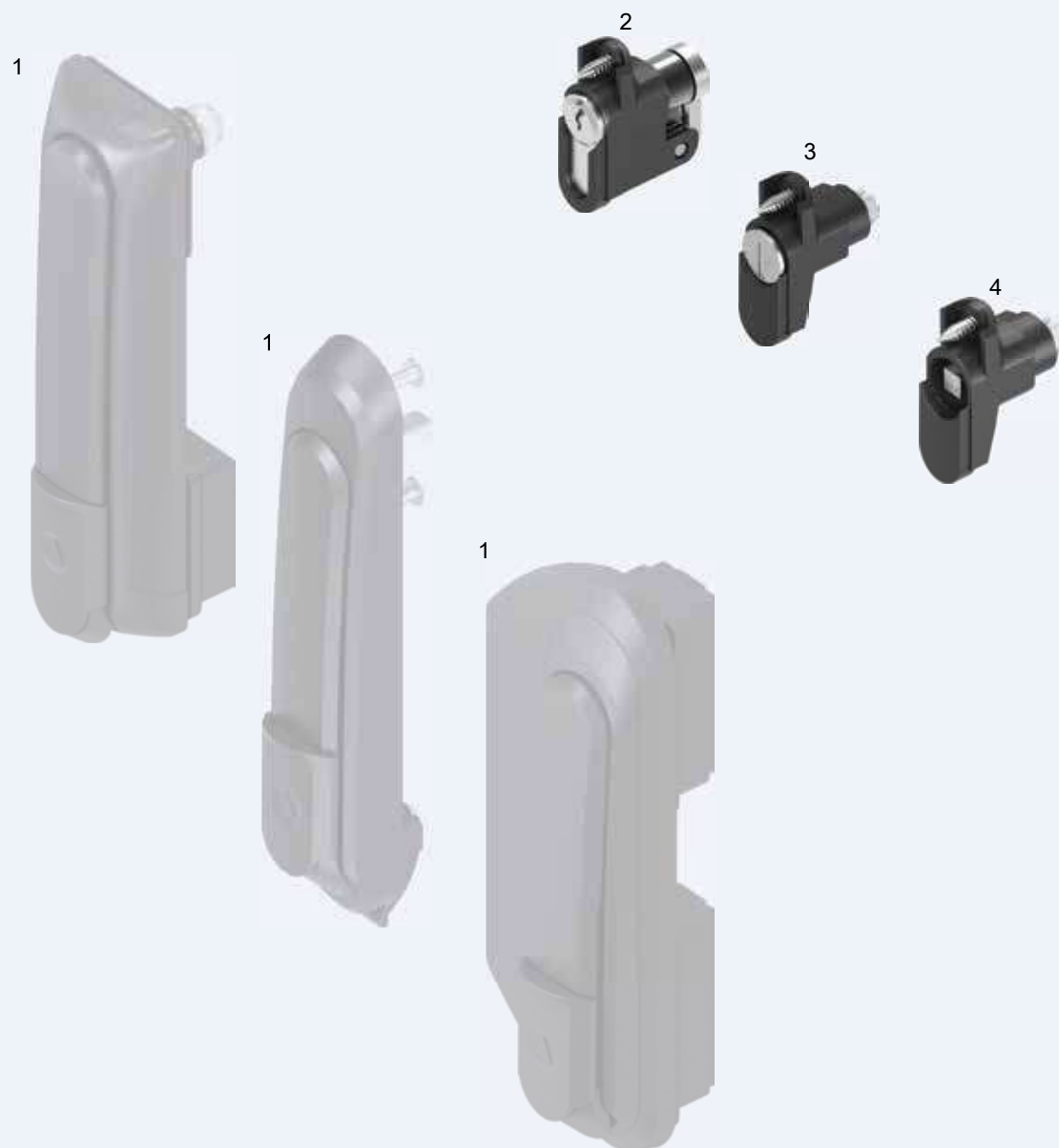
**Program 2225**  
- Swinghandle 3J-120





# Locking sets

## Program 1317, 1325



- 1 Swinghandle Program 1317, 1325
- 2 Locking set for profile half cylinder DIN 18252
- 3 Locking set with round cylinder
- 4 Locking set with insert

**3XC-100**

Info  
1 Quarter turns  
2 Rod controls  
3 Locking systems  
4 Hinges  
5 Seals  
6 Handles  
7 Aluminium windows  
8 Miscellaneous  
9 Special catalogues  
Index

<sup>(1)</sup> (In case of profile half cylinder the locking cam must be set to 90°)



**Further parts see page**  
 – Profile half cylinder 3XB-120  
 (Blind plug without spring-loaded ball not usable)

– Key 8B-120  
 – Spare key 8B-140

**Program 1317**  
 – Swinghandle 3AB-140

**Program 1325**  
 – Swinghandle 3BA-220  
 3BA-320



**Locking set polyamide GF black; screws m.s. zinc-plated**

for profile half cylinder 40 mm (A = 30 mm) <sup>(1)</sup>

1109-U101



**Locking set polyamide GF black;**

**round cylinder zinc die with stainless steel cap and dust protection; screws m.s. zinc-plated. Each round cylinder has one silver steel key with grip polyamide GF black**

keyed EK 333

1109-U103

keyed different

1109-U104

**Assembly of swinghandle and locking set on request**

1109-990



**Locking set polyamide GF black;**

**insert zinc die chrome-plated, screws m.s. zinc-plated**

Square 6

1109-U105

Square 7

1109-U106

Square 8

1109-U107

Square 8 slotted

1109-U108

Triangular 6.5 CNOMO

1109-U109

Triangular 7

1109-U110

Triangular 8

1109-U111

Triangular 9

1109-U112

Triangular 10

1109-U113

Double bit 3

1109-U114

Double bit 5

1109-U115

Hexagon female SW 10

1109-U116

Square female 6

1109-U117

Square female 8

1109-U118

Daimler Benz

1109-U119

Slot 1.2 x 3

1109-U120

Slot 2 x 4

1109-U121

Crown type

1109-U122

Eastern Europe Ø 13 half-round

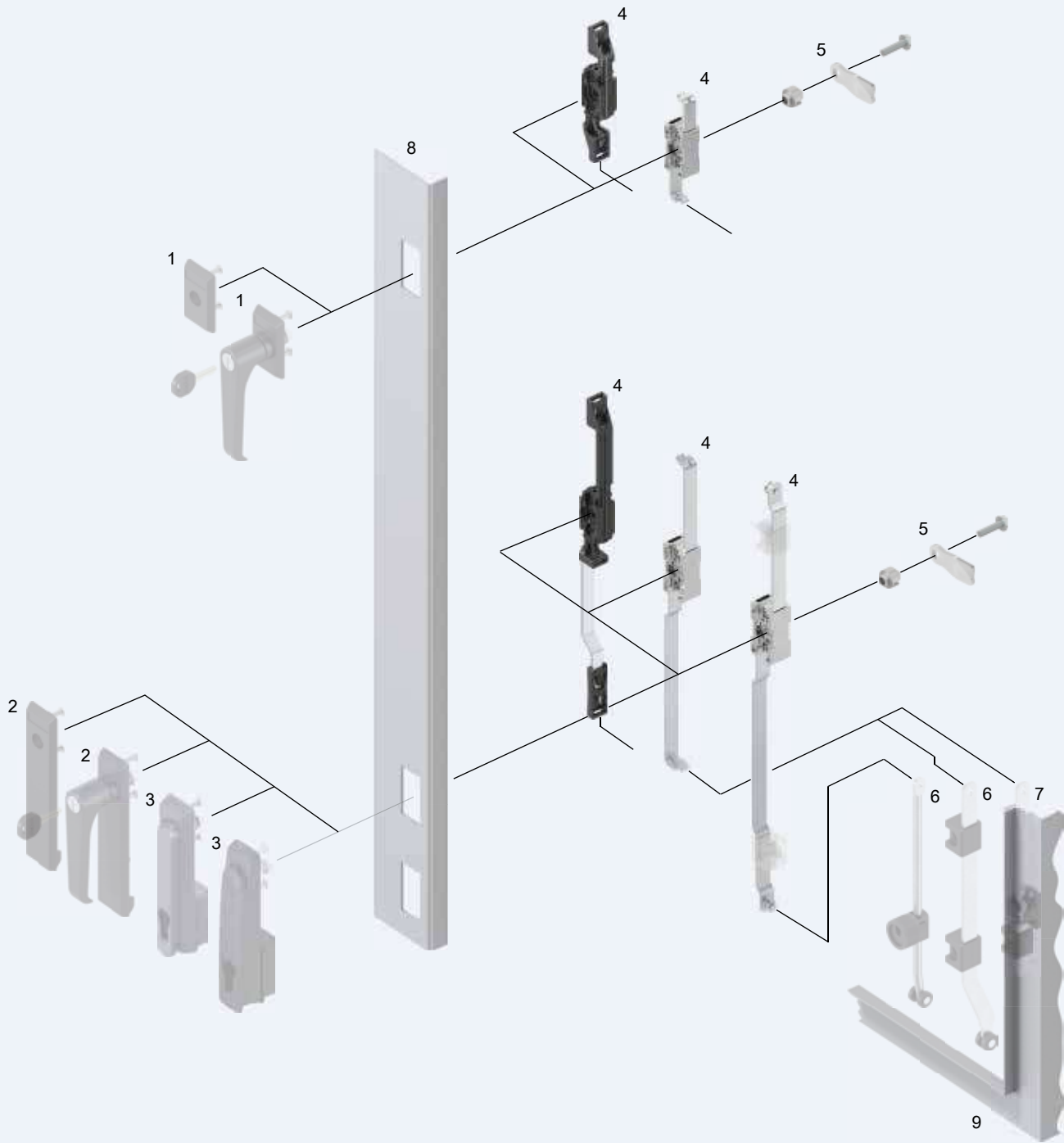
1109-U123

**Assembly of swinghandle and locking set on request**

1109-990

# Rod control

## Program 1125, 1150, 1225, 1325, 2100, 2225, 3000



- |   |                           |  |
|---|---------------------------|--|
| 1 | Escutcheon small          | Program 1125, 1225                               |
| 2 | Escutcheon long           | Program 1125, 1225, 1325, 2100                   |
| 3 | Swinghandle               | Program 1125, 1150, 1225, 1325, 2100, 2225, 3000 |
| 4 | Rod control               | 3YA-110 bis 3YA-540                              |
| 5 | Cam                       | 3YA-820, 3YA-840                                 |
| 6 | Rod (inside the sealing)  |  |
| 7 | Rod (outside the sealing) |  |
| 8 | Door                      |  |
| 9 | Housing / Frame           |  |



# 3YA-100

Info

1 Quarter turns



2 Rod controls



3 Locking systems

4 Hinges

5 Seals

6 Handles

7 Aluminium windows

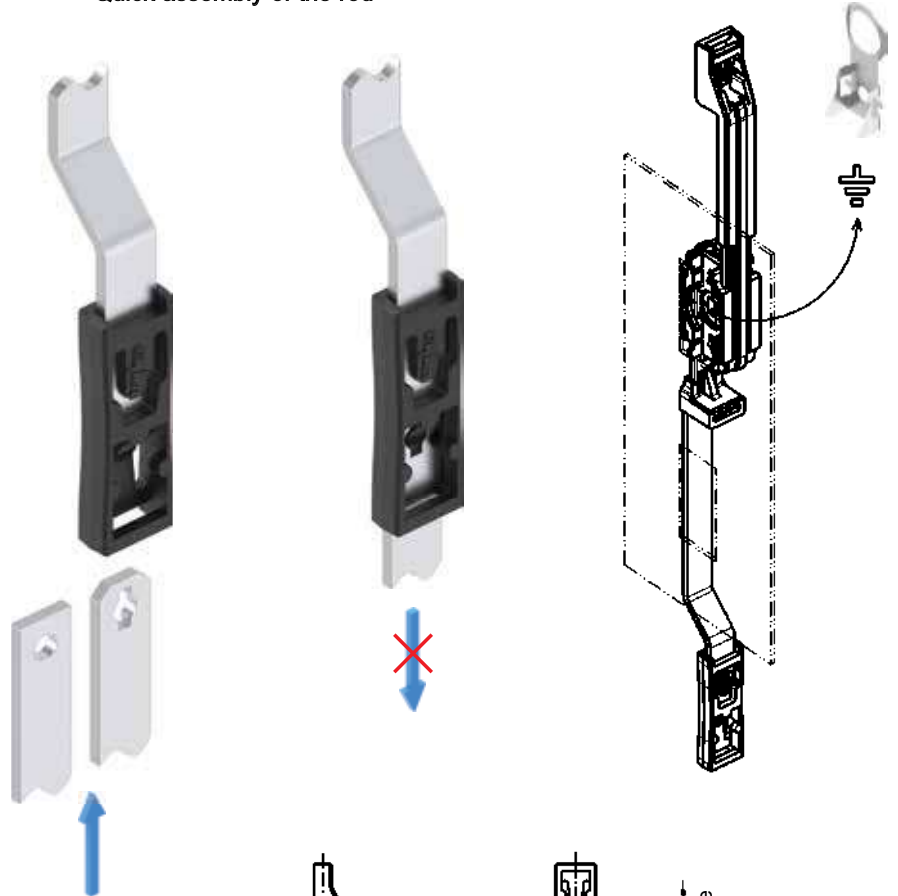
8 Miscellaneous

9 Special catalogues

Index



#### Quick assembly of the rod



#### Further parts see page

- Rods
  - outside 3ZA-120
  - inside 3ZB-120  
(only flat rods possible)
  - 3ZB-200
  - 3ZB-220
- Grounding device 3YA-720
- Cam 3YA-820  
(Swinghandle 1325) 3YA-840

- Program 1125**
- Escutcheon long 3B-120
  - 3B-180
  - Swinghandle 3B-220
  - 3B-420

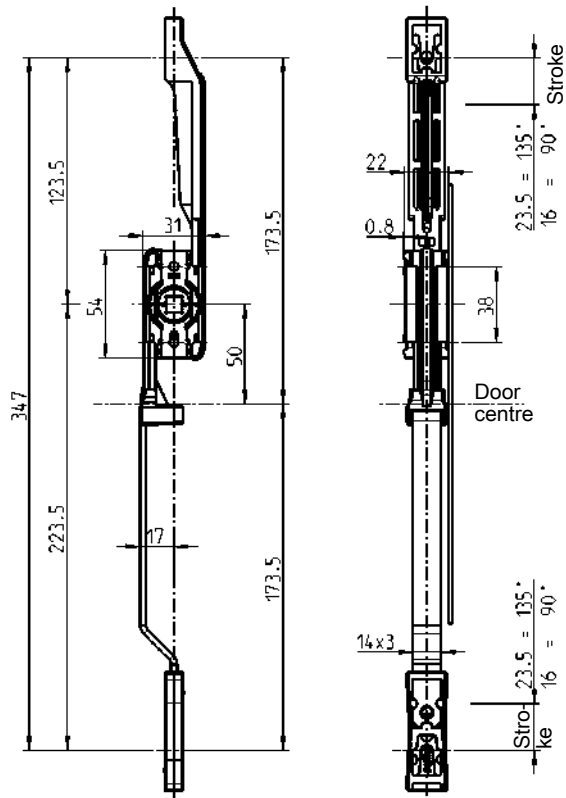
- Program 1150**
- Swinghandle 1150 3C-160
  - 3C-720
  - to 3C-750
  - Swinghandle 1153 3C-320

- Program 1225**
- Escutcheon long 3G-120
  - 3G-180
  - Swinghandle 3G-220
  - 3G-420

- Program 1325**
- Escutcheon 3BA-120
  - Swinghandle 3BA-220

- Program 2225**
- Swinghandle 3J-120

- Program 3000**
- Swinghandle 3N-120



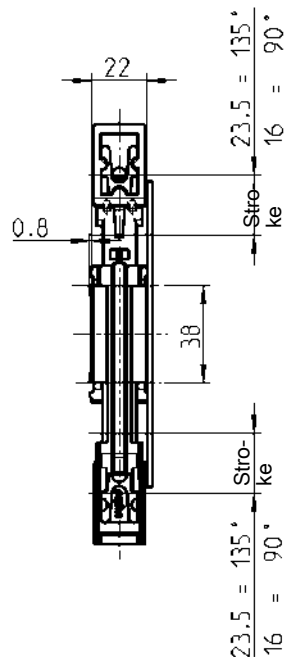
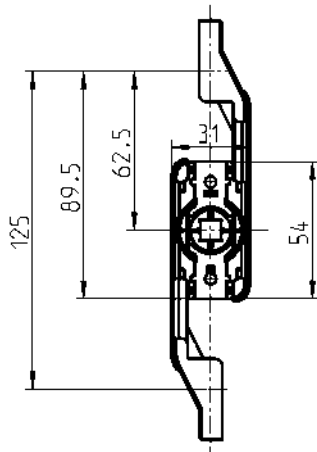
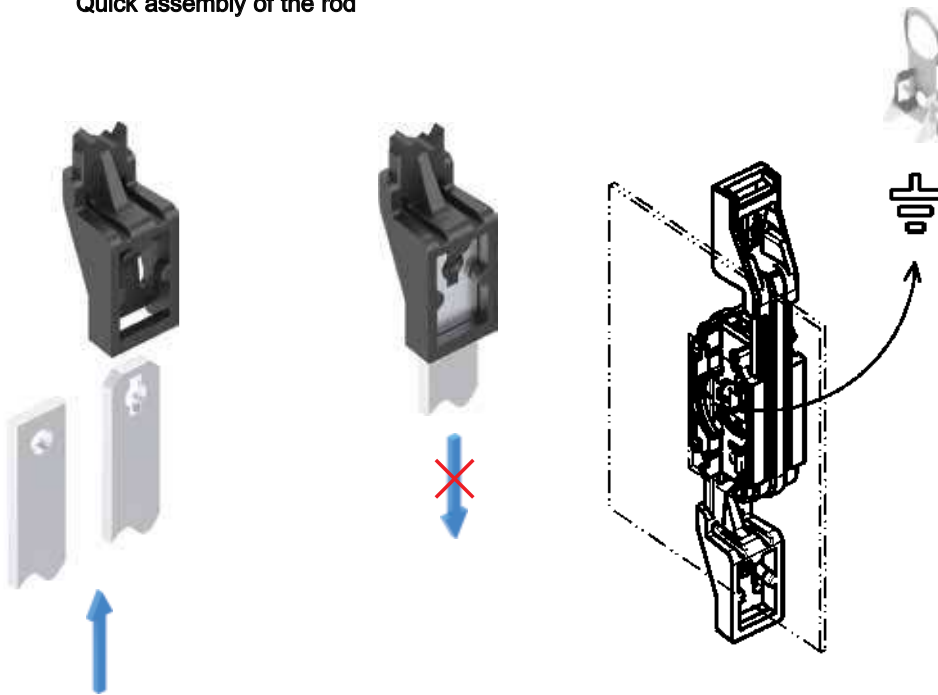
Rod control made of high performance plastics

1121-U26-K

# Rod control for flat rods

## PROGRAM 1125, 1225

### Quick assembly of the rod



1 Quarter turns

2 Rod controls

3 Locking systems

4 Hinges

5 Seals

6 Handles

7 Aluminium windows

8 Miscellaneous

9 Special catalogues


Index

Rod control made of high performance plastics

1121-U1-K

### Further parts see page

– Rods

 inside 3ZB-120  
(only flat rods possible)

3ZB-200

3ZB-220

– Grounding device

3YA-720

– Cam

3YA-820

### Program 1125

– Escutcheon short

3B-120

3B-180

### Program 1225

– Escutcheon short

3G-120

3G-180

Info

1 Quarter turns



2 Rod controls



3 Locking systems



4 Hinges

5 Seals

6 Handles

7 Aluminium windows

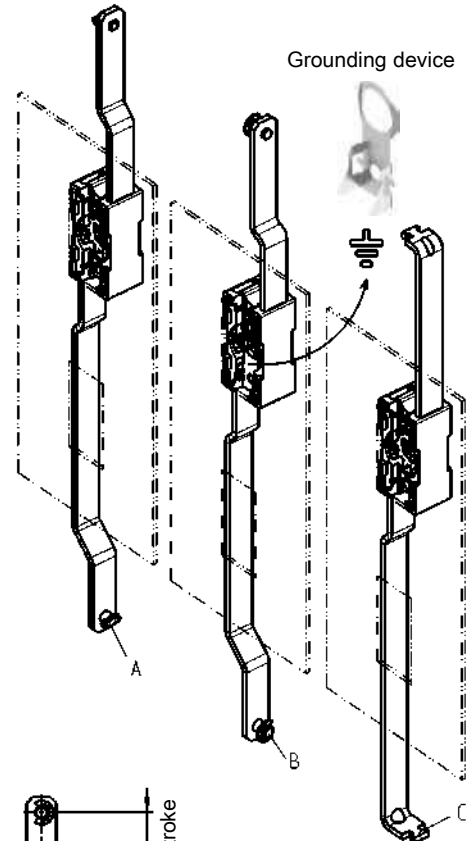
8 Miscellaneous

9 Special catalogues

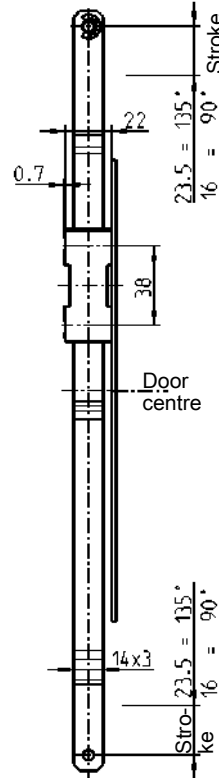
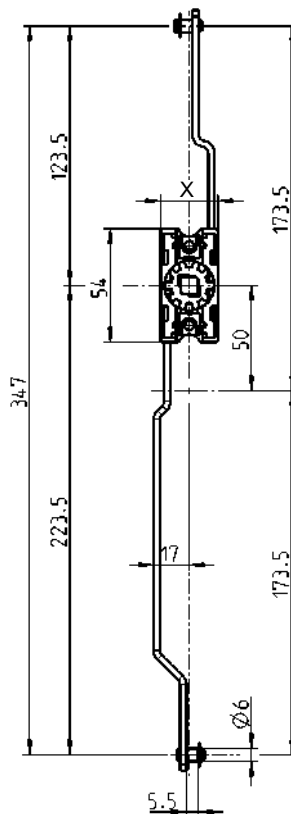
Index



Grounding device



X = 27 mm zinc die and polyamide  
29 mm AISI



**Further parts see page**

- Rods
  - outside 3ZA-120
  - inside 3ZB-120 (only flat rods possible)
  - 3ZB-200
  - 3ZB-220
- Grounding device 3YA-720
- Cam 3YA-820 (Swinghandle 1325) 3YA-840

- Program 1125**
- Escutcheon long 3B-120
  - 3B-180
  - Swinghandle 3B-220
  - 3B-420

- Program 1150**
- Swinghandle 1150 3C-160
  - 3C-720
  - 3C-750
  - 3C-320

- Program 1225**
- Escutcheon long 3G-120
  - 3G-180
  - Swinghandle 3G-220
  - 3G-420

- Program 1325**
- Escutcheon 3BA-120
  - Swinghandle 3BA-220

- Program 2225**
- Swinghandle 3J-120

- Program 3000**
- Swinghandle 3N-110
  - to 3N-130

**Rod control material of choice**

| Rod control box    | Rod                 | Version     |             |            |
|--------------------|---------------------|-------------|-------------|------------|
|                    |                     | A           | B           | C          |
| Zinc die           | m.s.<br>zinc-plated | 1121-U125-C | 1121-U26-C  | 1121-U85-C |
| Polyamide GF black | AISI 304            | -           | 1121-U178-C | -          |
| Polyamide GF black | Aluminium           | -           | 1121-U38-C  | 1121-U86-C |
| AISI 316           | AISI 304            | -           | 1121-U139   | -          |

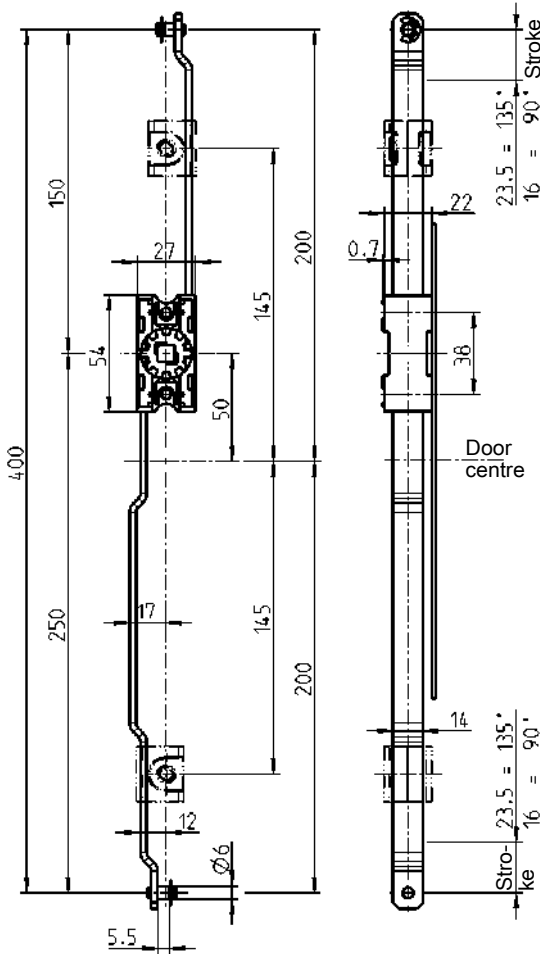
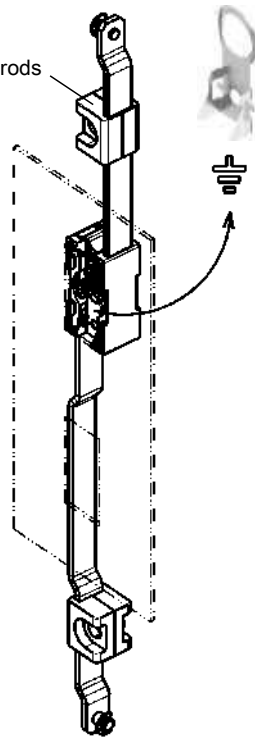
# Rod control for round rods

PROGRAM 1125, 1150, 1225, 1325, 2225, 3000



Grounding device

Rod guide for flat rods



**Further parts see page**

- Rods
  - inside 3ZB-120
- Rod guide 3ZC-120 to 3ZC-170
- Grounding device 3YA-720
- Cam 3YA-820 (Swinghandle 1325) 3YA-840

- Program 1125**
- Escutcheon long 3B-120 to 3B-180
  - Swinghandle 3B-220 to 3B-420

- Program 1150**
- Swinghandle 1150 3C-160 to 3C-750
  - Swinghandle 1153 3C-320

- Program 1225**
- Escutcheon long 3G-120 to 3G-180
  - Swinghandle 3G-220 to 3G-420

- Program 1325**
- Escutcheon 3BA-120 to 3BA-220
  - Swinghandle 3BA-220

- Program 2225**
- Swinghandle 3J-120

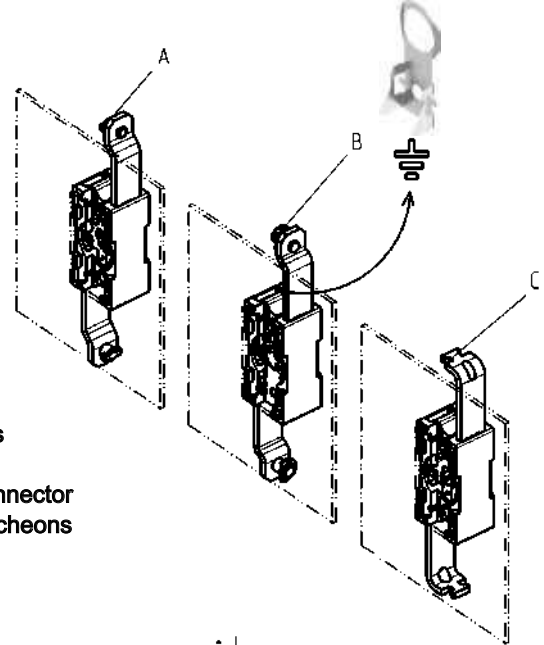
- Program 3000**
- Swinghandle 1150 3N-110 to 3N-130

**Rod control material of choice**

| Rod control box    | Rod              |            |
|--------------------|------------------|------------|
| Zinc die           | m.s. zinc-plated | 1121-U29-C |
| Polyamide GF black | Aluminium        | 1121-U39-C |



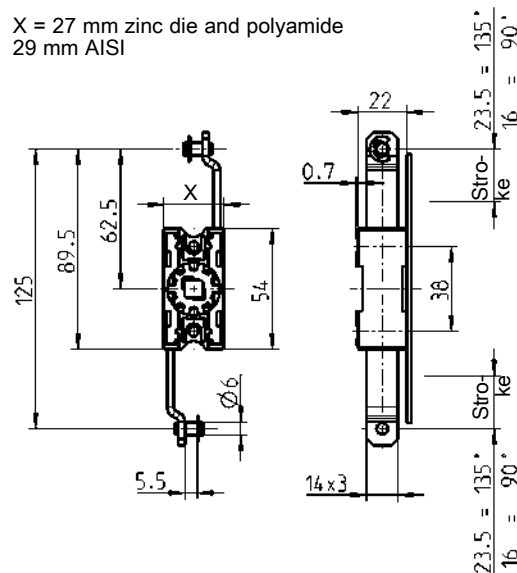
Grounding device



Rod control for short escutcheons

Version B in combination with connector (3YA-180) suitable for long escutcheons and swinghandles

X = 27 mm zinc die and polyamide  
29 mm AISI



Further parts see page

– Rods

inside

3ZB-120

3ZB-200

3ZB-220

– Connector

3YA-180

– Grounding device

3YA-720

– Cam

3YA-820

**Program 1125**

– Escutcheon short

3B-120

3B-180

**Program 1225**

– Escutcheon short

3G-120

3G-180

– Swinghandle,  
small version

3G-520

Rod control with two rods material of choice

| Rod control box    | Rod                 | Version     |             |             |
|--------------------|---------------------|-------------|-------------|-------------|
|                    |                     | A           | B           | C           |
| Zinc die           | m.s.<br>zinc-plated | 1121-U124-C | 1121-U1-C   | 1121-U153-C |
| Polyamide GF black | AISI 304            | –           | 1121-U177-C | –           |
| Polyamide GF black | Aluminium           | –           | 1121-U37-C  | 1121-U154-C |
| AISI 316           | AISI 304            | –           | 1121-U138   | –           |

Rod control with one rod

| Rod control box    | Rod       | Version |            |   |
|--------------------|-----------|---------|------------|---|
|                    |           | A       | B          | C |
| Polyamide GF black | Aluminium | –       | 1121-U61-C | – |

Rod control without rods, with swing stopper aluminium, turn 90°

| Rod control box    | Rod | Version |            |   |
|--------------------|-----|---------|------------|---|
|                    |     | A       | B          | C |
| Polyamide GF black | –   | –       | 1121-U60-C | – |

**3YA-160** 09/14

(3A-380)

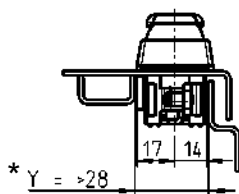
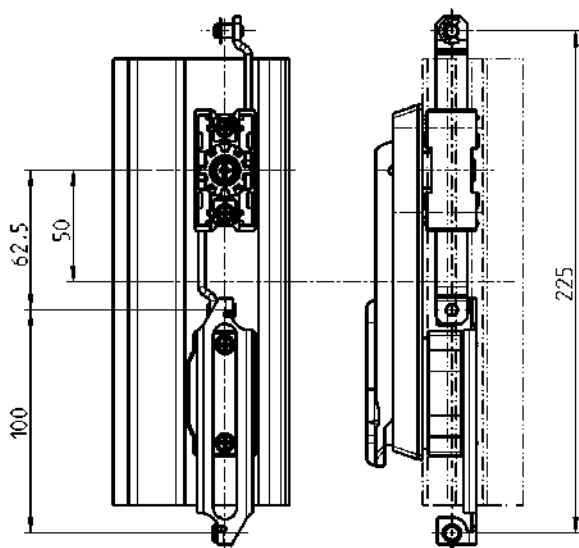
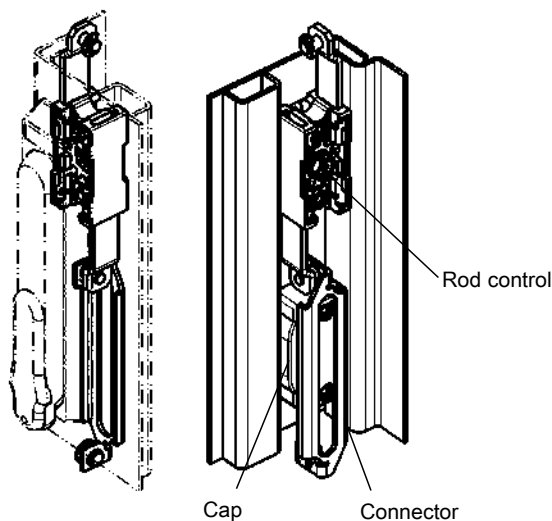
© EMKA Beschlagteile GmbH & Co. KG • 2021 • www.emka.com

Items printed in gray without stock



# Connector for slim design

## PROGRAM 1125, 1225, 1325



By using the connector in combination with a rod control (3YA-160) version B, less width is required. In case of mounting the long escutcheons or the swinghandles, each with cap, the lower and upper rod length is the same.

\* In case of a smaller dimension Y, cap with flat seal (without PUR foamed seal) has to be ordered separately on request.



### Further parts see page

– Rods

 inside

3ZB-120  
3ZB-200  
3ZB-220  
3YA-160

– Rod control (Version B)

### Program 1125

– Escutcheon long

3B-120

3B-180

– Swinghandle

3B-220

3B-420

### Program 1225

– Escutcheon long

3G-120

3G-180

– Swinghandle

3G-220

3G-420

### Program 1325

– Escutcheon

3BA-120

– Swinghandle

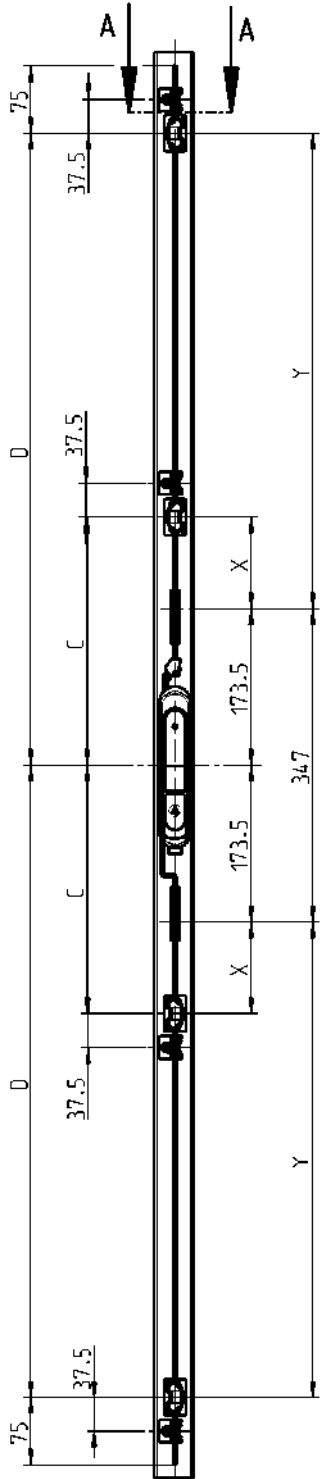
3BA-220

Connector and rivet m.s. zinc-plated, circlip spring steel zinc-plated

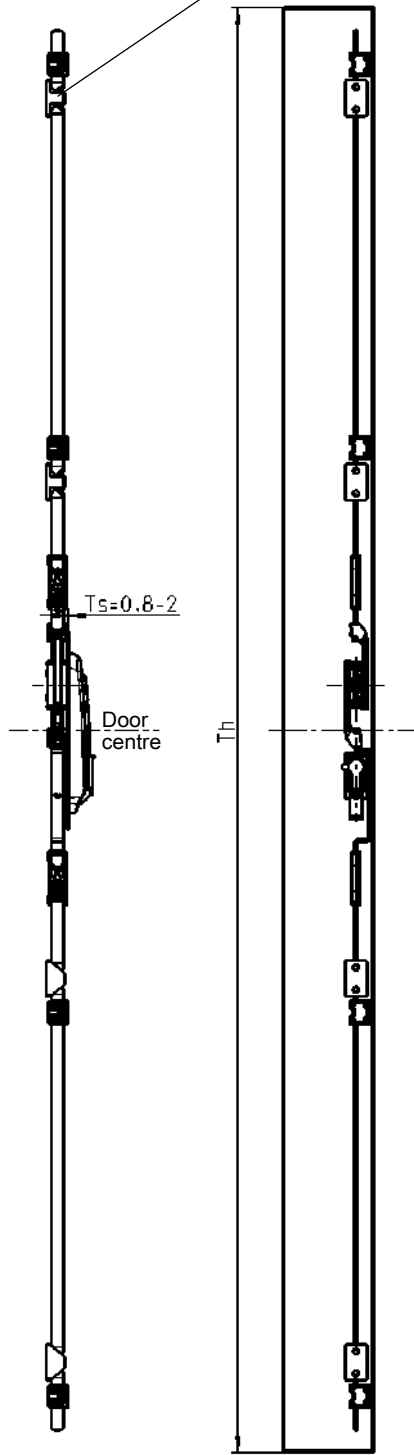
1121-U65

# Rod control for flat rods

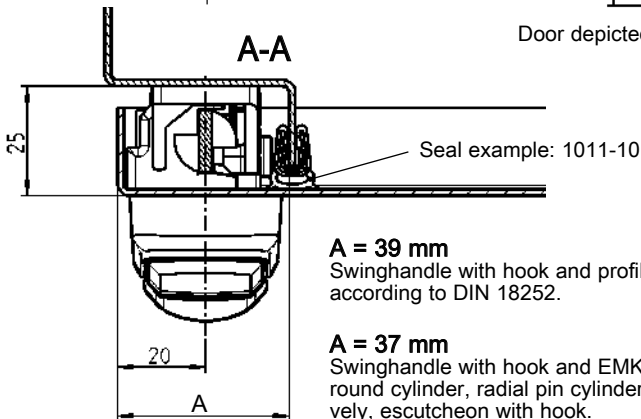
PROGRAM 1125, 1225, 1325, 3000



All common locking types can be used.



Door depicted from inside

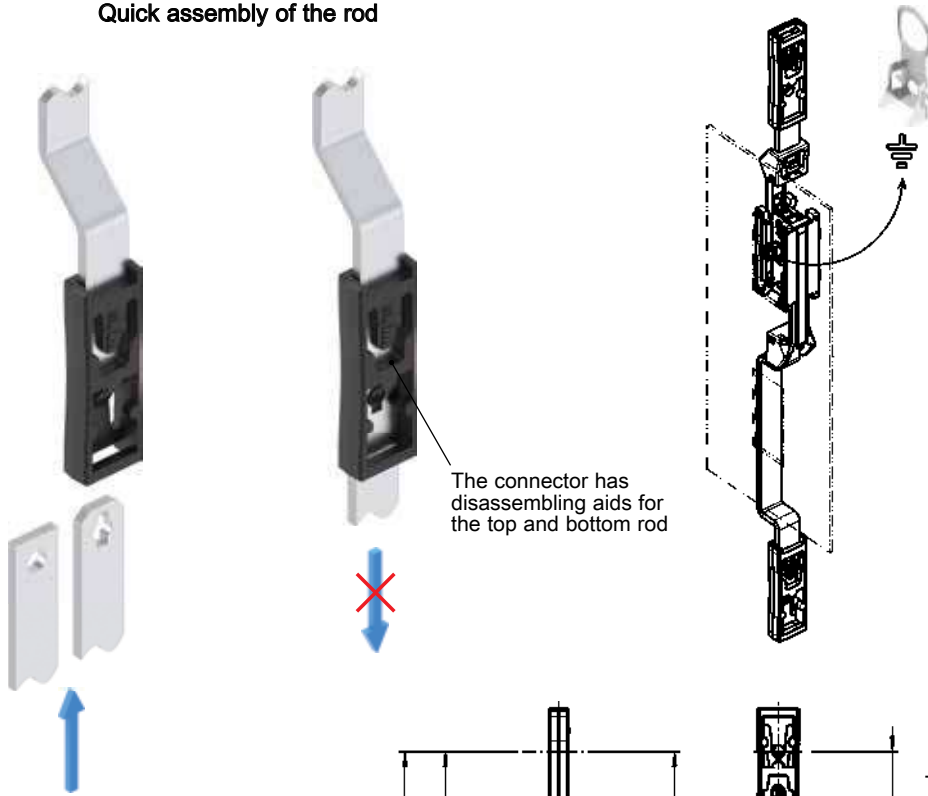


**A = 39 mm**  
Swinghandle with hook and profile cylinder according to DIN 18252.

**A = 37 mm**  
Swinghandle with hook and EMKA profile half cylinder with round cylinder, radial pin cylinder, insert or button. Alternatively, escutcheon with hook.

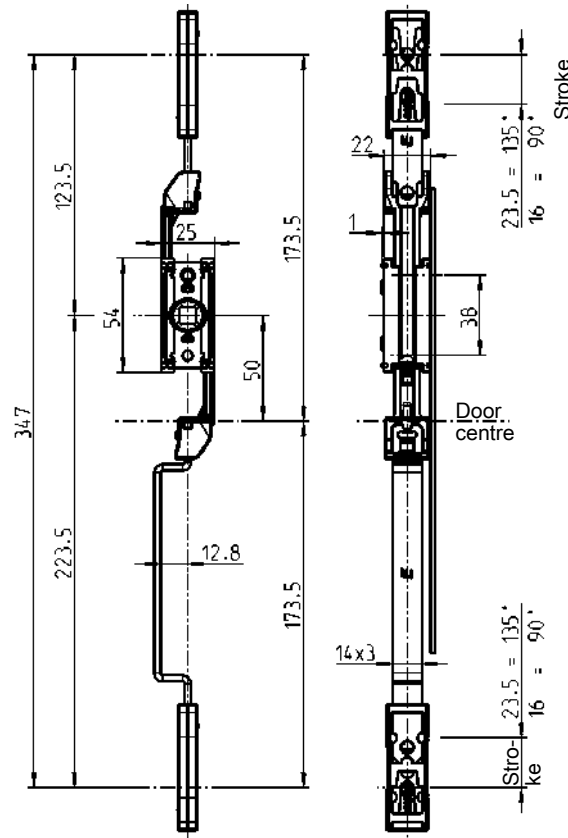


### Quick assembly of the rod



#### Product benefits

- Slim design
- Very compact design
- Lock length, rod control and stroke correspond to 1121-U26-K
- Saves space of up to 8 mm in the bending area
- Patented



This rod control can be used in combination with the swinghandles or the escutcheons with hook of the programs 1125, 1225 and 1325. Swinghandle and escutcheon with cover cannot be used.

Rod control made of high performance plastics, flat rod m.s. zinc-plated

1122-U26-K

Grounding device stainless steel

1122-117



**Note:**  
Can only be assembled in cut out version A

**Note:**  
Can only be assembled in certain cut outs. (similar to cut out 1125)

#### Further parts see page

– Rods

outside 3ZA-120

inside 3ZB-120  
(only flat rods possible)

3ZB-200

3ZB-220

#### Program 1125

– Escutcheon 1121 3B-120

– Escutcheon 1123 3B-180

– Swinghandle 3B-220

#### Program 1225

– Escutcheon 1221 3G-120

– Escutcheon 1223 3G-180

– Swinghandle 3G-220

#### Program 1325 <sup>①</sup>

– Escutcheon 1321 3BA-120

– Swinghandle 3BA-220

#### Program 3000 <sup>②</sup>

– Swinghandle 3N-110

to 3N-130

Info

1 Quarter turns



2 Rod controls

3 Locking systems

4 Hinges

5 Seals

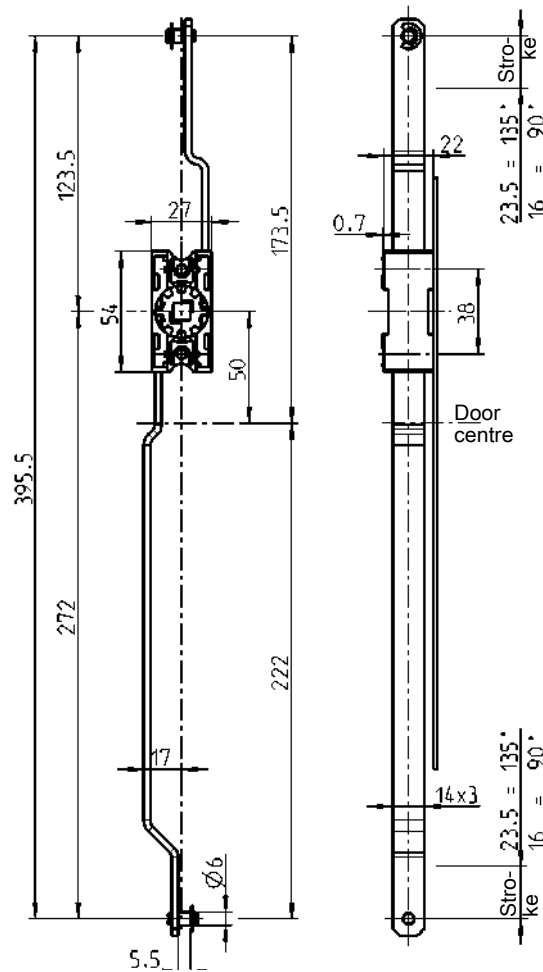
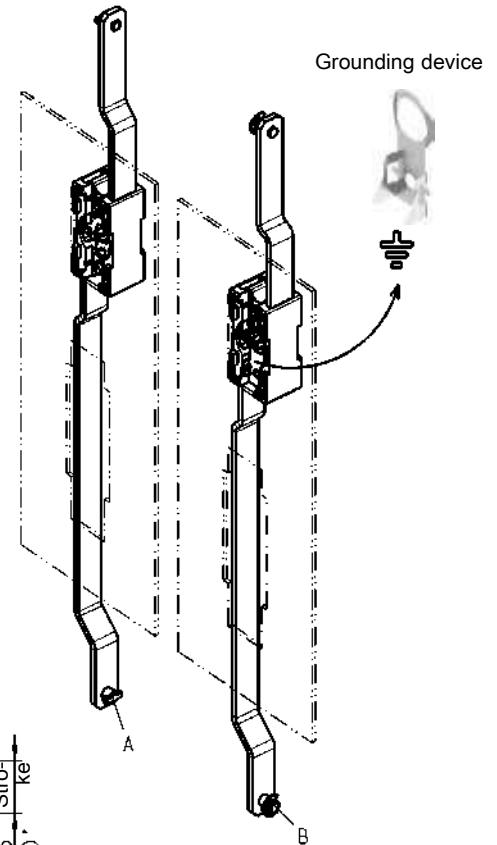
6 Handles

7 Aluminium windows

8 Miscellaneous

9 Special catalogues

Index



#### Further parts see page

– Rods

 inside

3ZB-120

3ZB-200

3ZB-220

– Grounding device

3YA-720

– Cam

3YA-820

#### Program 1125

– Swinghandle

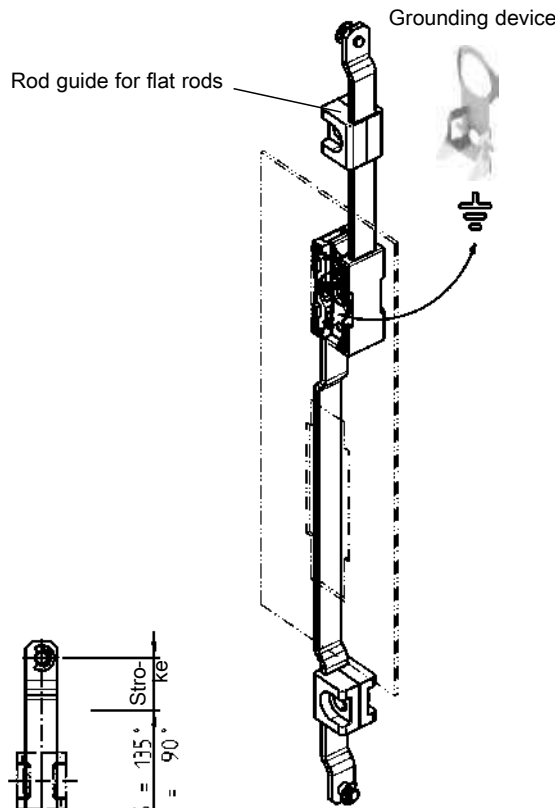
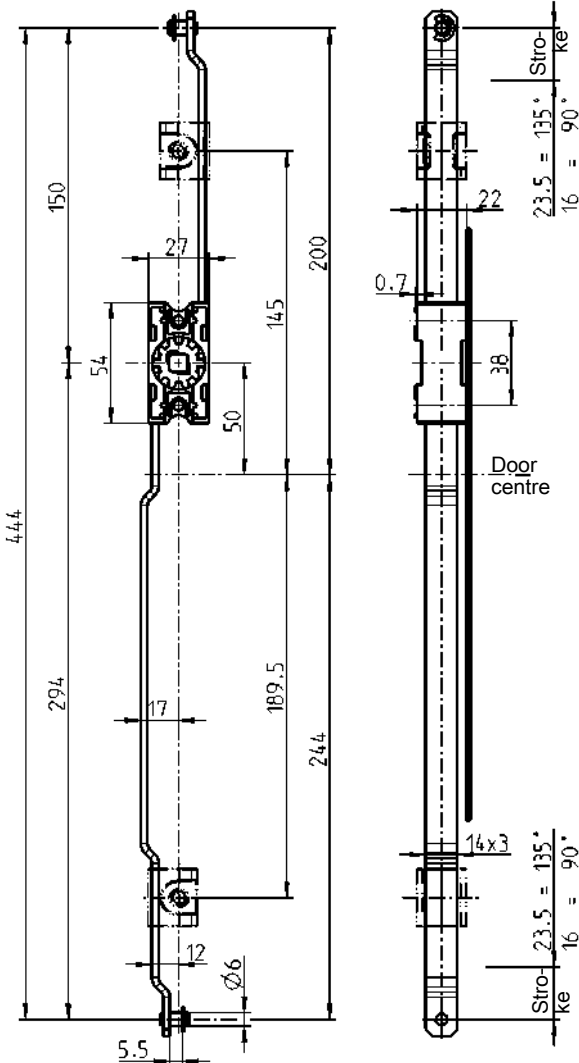
3B-320

#### Rod control material of choice

| Rod control box    | Rod              | Version     |            |
|--------------------|------------------|-------------|------------|
|                    |                  | A           | B          |
| Zinc die           | m.s. zinc-plated | 1121-U126-C | 1121-U51-C |
| Polyamide GF black | Aluminium        | –           | 1121-U53-C |

# Rod control for flat rods

## PROGRAM 1125



### Further parts see page

- Rods
  - inside 3ZB-120
- Rod guide 3ZC-120 to 3ZC-170
- Grounding device 3YA-720
- Cam 3YA-820

### Program 1125

- Swinghandle 3B-320

Rod control zinc die, rods m.s. zinc-plated

1121-U52-C

Info

1 Quarter turns



2 Rod controls

3 Locking systems

4 Hinges

5 Seals

6 Handles

7 Aluminium windows

8 Miscellaneous

9 Special catalogues

Index



#### Further parts see page

– Rods

outside

3ZA-120

3ZA-320

inside

3ZB-120

3ZB-200

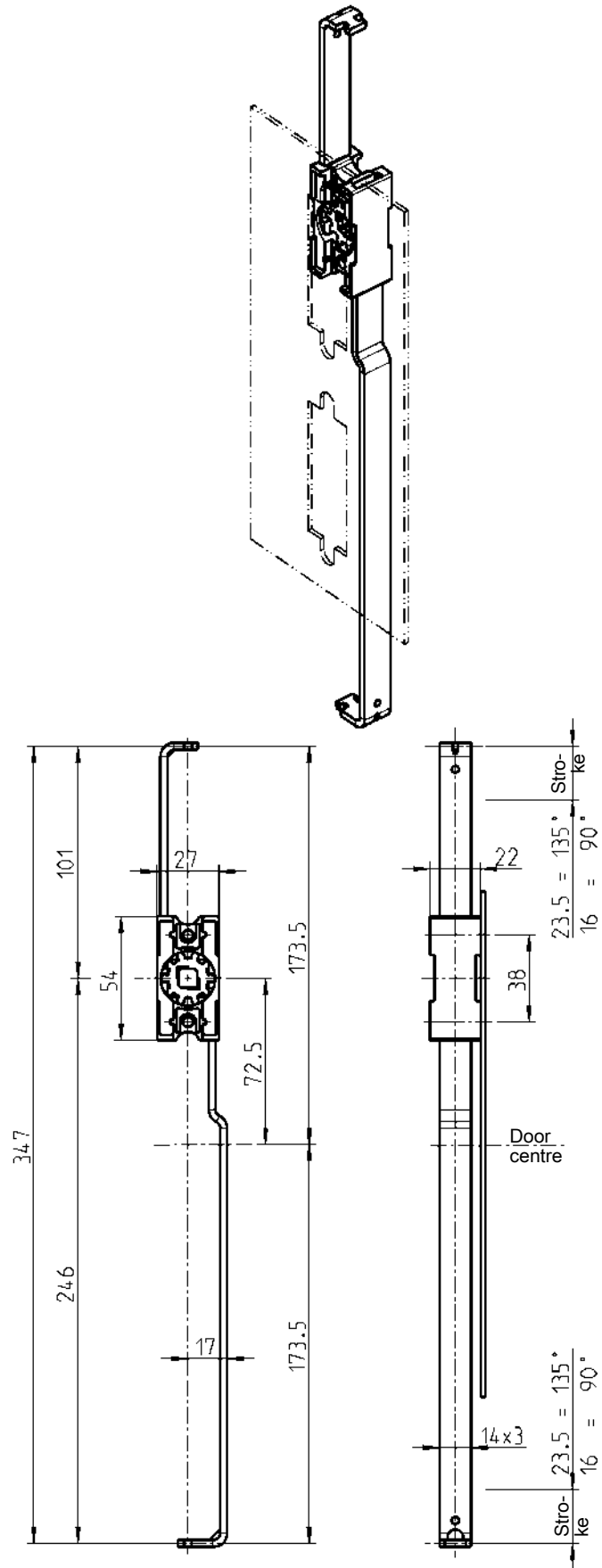
3ZB-220

3YA-820

– Cam

#### Program 1150

– Swinghandle 1151      3C-440



#### Rod control material of choice

Zinc die, rods m.s. zinc-plated

2121-U28-C

Polyamide black, rods aluminium

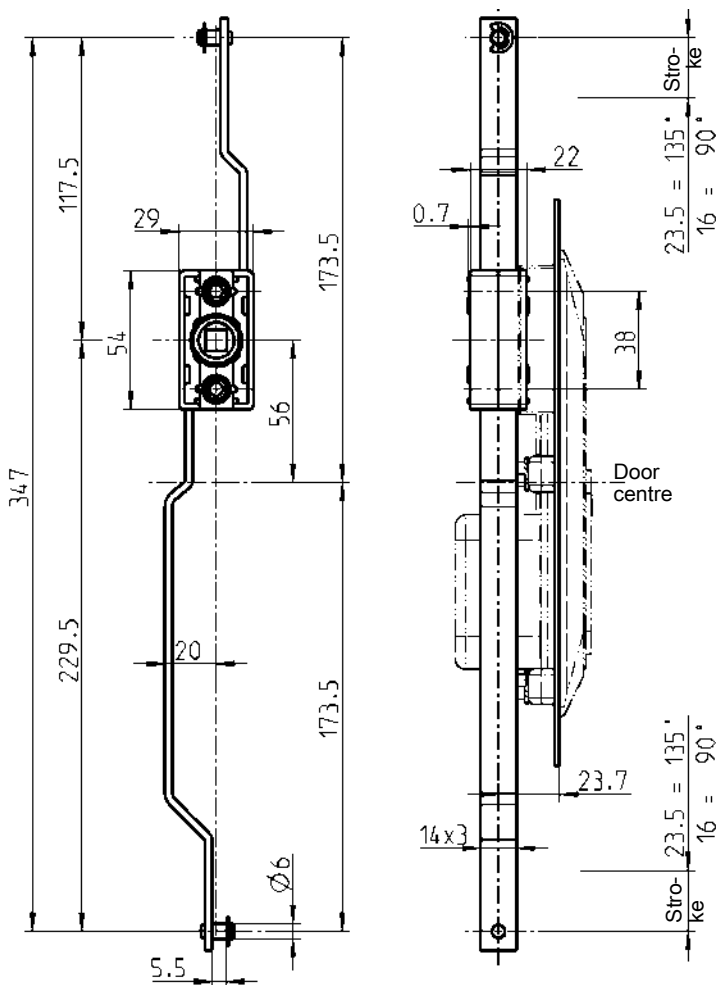
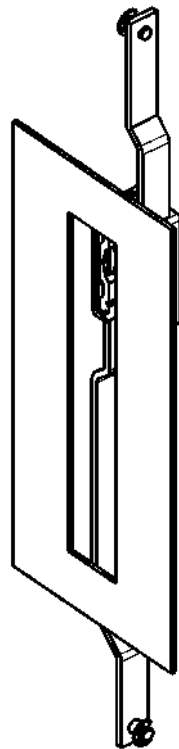
2121-U29-C

**3YA-420** 09/14

(3F-220)

# Stainless steel rod control for flat rods

## PROGRAM 1150



Rod control housing AISI 316, rods AISI 304

1121-U140

Further parts see page

– Rods

inside

on request

Program 1150  
– Swinghandle 1154  
with RC2

3C-260

Info

1 Quarter turns



2 Rod controls



3 Locking systems

4 Hinges

5 Seals

6 Handles

7 Aluminium windows

8 Miscellaneous

9 Special catalogues

Index

#### Further parts see page

– Rods

outside

3ZA-120

3ZA-320

inside

3ZB-120

3ZB-200

3ZB-220

3YA-820

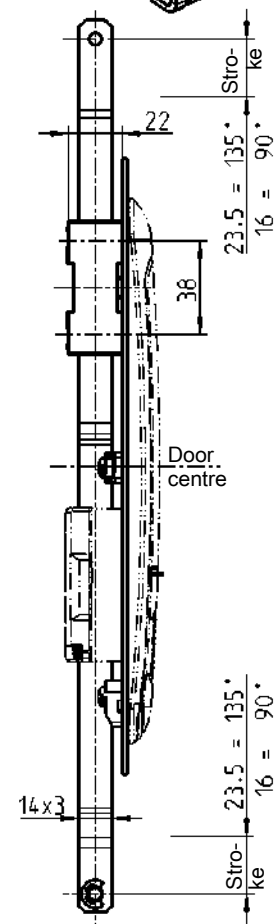
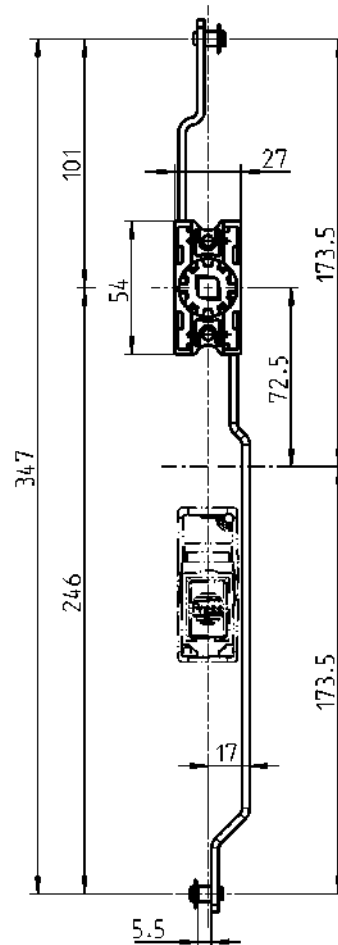
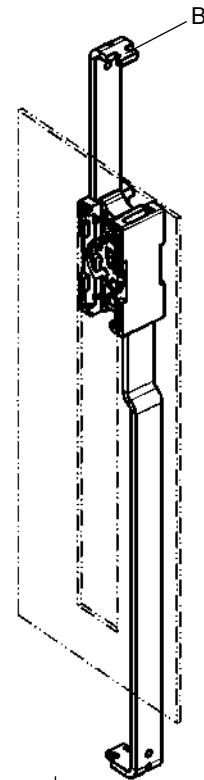
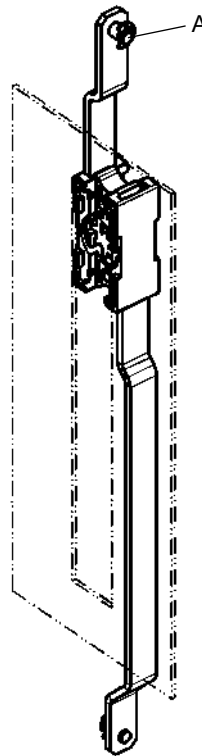
– Cam

#### Program 1180

– Swinghandle 1185

3E-520

3E-540



Rod control zinc die, rods m.s. zinc-plated

Version A

1121-U181-C

Version B

1121-U180-C

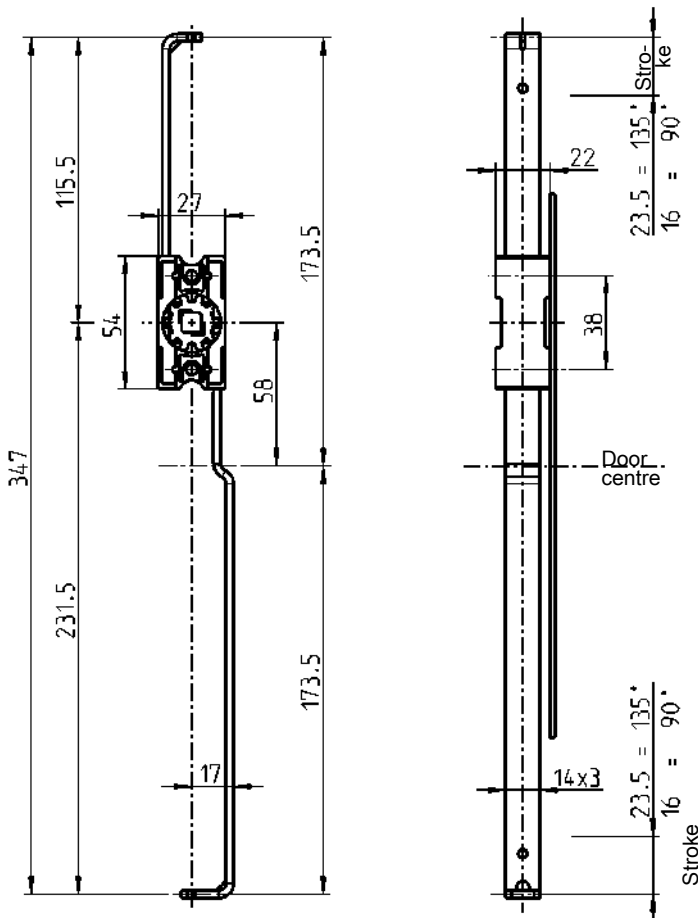
**3YA-480** 09/14

(3YA-320)




# Rod control for flat rods

## PROGRAM 2100



### Further parts see page

– Rods

 outside

 inside

– Cam

### Program 2100

– Escutcheon

– Swinghandle

3ZA-120  
3ZA-320  
3ZB-120  
3ZB-200  
3ZB-220  
3YA-820

3H-120  
3H-220  
3H-320  
to 3H-420

### Rod control material of choice

Zinc die, rod m.s. zinc-plated

2121-U26-C

Polyamide black, rods aluminium

2121-U27-C

Info

1 Quarter turns



2 Rod controls



3 Locking systems

4 Hinges

5 Seals



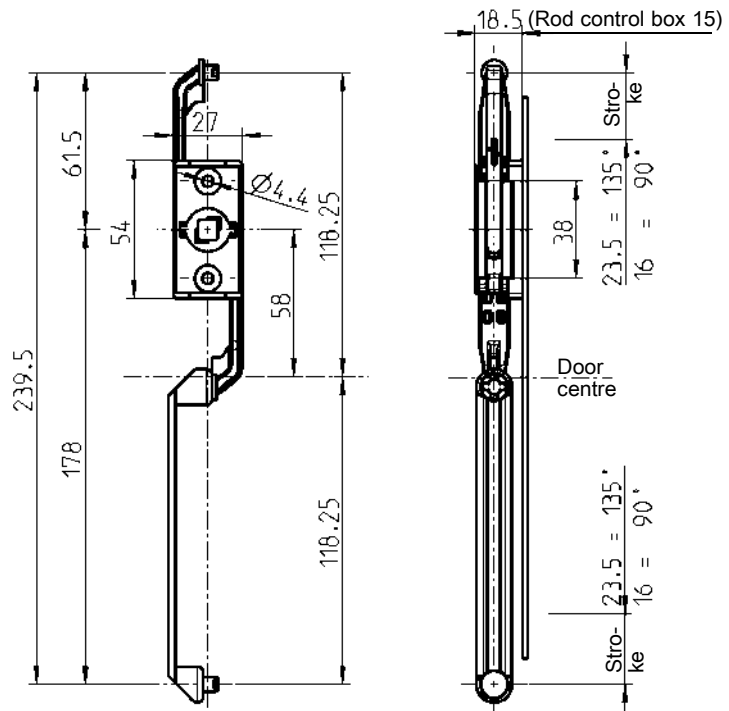
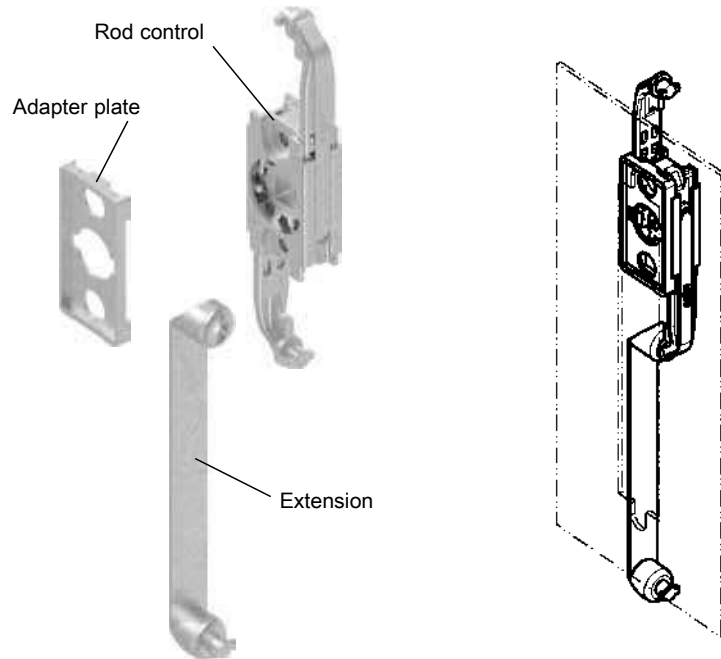
6 Handles

7 Aluminium windows

8 Miscellaneous

9 Special catalogues

Index



**Further parts see page**

- Rods
  - inside
    - 3ZB-120
    - 3ZB-200
    - 3ZB-220
    - 3YA-820
- Cam

**Program 2100**

- Escutcheon
  - 3H-120
  - 3H-220
  - 3H-320
  - to 3H-420
- Swinghandle

**Rod control zinc die**

2200-U1-C

**Adapter plate zinc die zinc-plated**

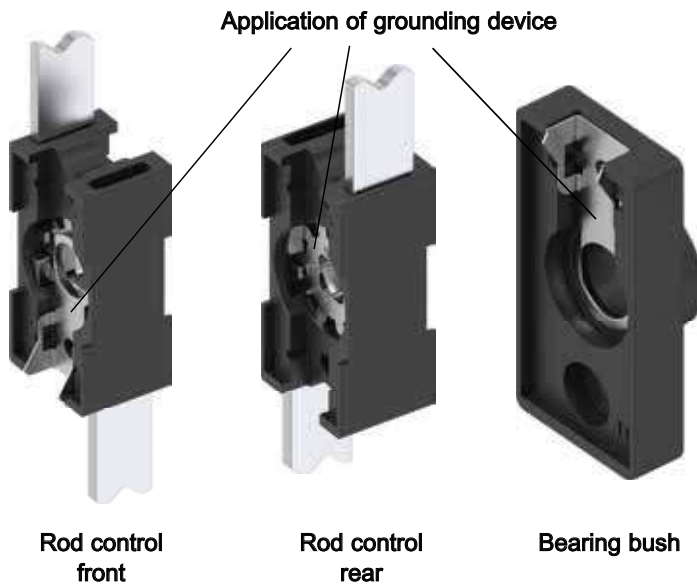
2200-05

**Extension zinc die zinc-plated**

2200-06

# Grounding device for rod control and bearing bush

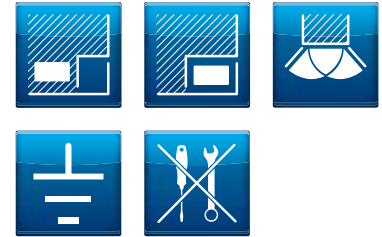
PROGRAM 1125, 1150, 1225, 1325, 3000



Rod control front

Rod control rear

Bearing bush



1 Quarter turns

2 Rod controls

3 Locking systems

4 Hinges

5 Seals

6 Handles

7 Aluminium windows

8 Miscellaneous

9 Special catalogues

Index



Earthing now also possible with plastic locks!



Assembly of grounding device



The grounding device passed the test according to DIN EN 60439-1/8.2.4.1! The resistance is max. 0.032 Ohm.

**Attention:**

The grounding device can be used regardless of the material of the rod control!

The grounding device will not change the assembly!

The grounding device can be assembled to the rod control or bearing bush without a tool.

The mechanical figures are unchanged!

Earthing will be achieved upon assembly of the escutcheon or the swinghandle!

**Further parts see page**

- Rod control 3YA-110 to 3YA-240
- Bearing bush 3YB-120 (for Ts 1.0 to 2.0)

Grounding device stainless steel

1121-117

Info

1 Quarter turns

2 Rod controls

3 Locking systems

4 Hinges

5 Seals

6 Handles

7 Aluminium windows

8 Miscellaneous

9 Special catalogues

Index

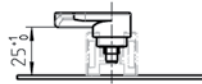
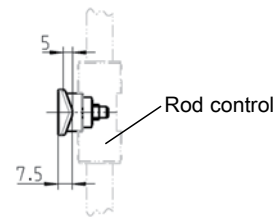
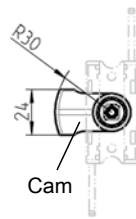
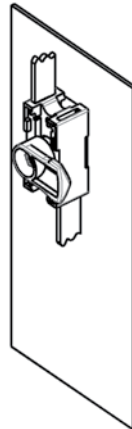


**Note:**  
The ramp increases the compression of the latch by 4 mm.

**Program 1325:**  
Works only with escutcheon.  
Combination with swinghandle see page 3YA-840.

**Further parts see page**  
– Ramp 1C-170  
– Rod control 3YA-110 to 3YA-540

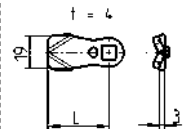
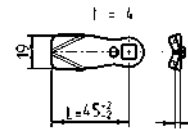
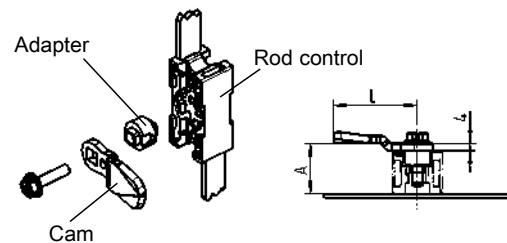
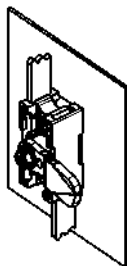
### Zinc die cam



Cam zinc die zinc-plated, with screw m.s. zinc-plated

1121-U25

### Steel cam (only usable with adapter)



### Cam m.s. zinc-plated

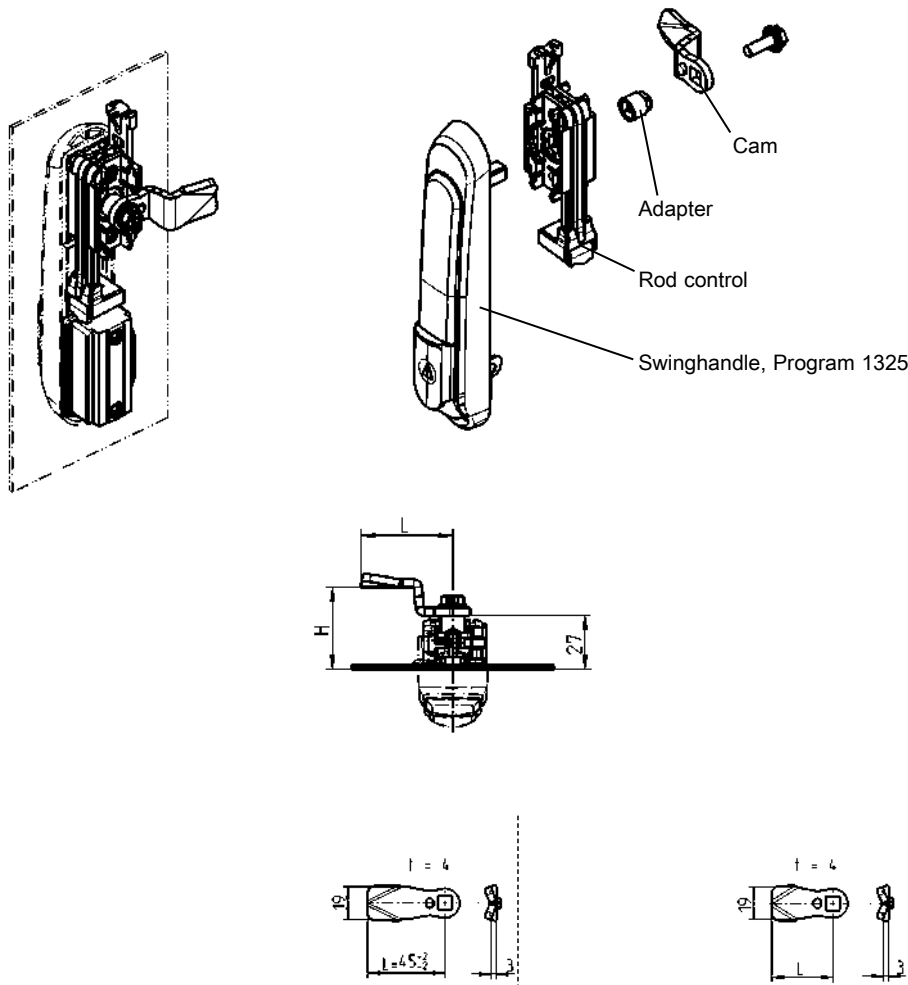
| A in mm |                 | A       | L  |           |
|---------|-----------------|---------|--|-----------|
| 23      | 1000-17         | 23      | 35   | 1000-5046 |
| 25      | 1000-16         | 25      | 35   | 1000-5161 |
| 27      | 1000-15         | 27      | 35   | 1000-5119 |
| 29      | 1000-14         | 33      | 35   | 1000-5164 |
| 30      | Attention:      | 1000-27 | Cams with other A- and L-dimensions on request.<br>Minimum quantity: 2000 pieces |           |
| 31      | These           | 1000-50 |  |           |
| 33      | H-dimensions    | 1000-13 |  |           |
| 35      | only apply with | 1000-28 |  |           |
| 37      | a rod control   | 1000-26 |  |           |
| 39      |                 | 1000-12 |  |           |
| 40      |                 | 1000-11 |  |           |
| 41      |                 | 1000-51 |  |           |
| 43      |                 | 1000-52 |  |           |
| 45      |                 | 1000-25 |  |           |
| 47      |                 | 1000-53 |  |           |
| 49      |                 | 1000-54 |  |           |
| 50      |                 | 1000-10 |  |           |
| 52      |                 | 1000-55 |  |           |
| 55      |                 | 1000-56 |  |           |

Adapter zinc die, screw m.s. zinc-plated

1121-U40

# Cam for rod control

## PROGRAM 1325, 2225



### Cam m.s. zinc-plated

| H  |                 | H       | L  |           |
|----|-----------------|---------|----|-----------|
| 27 |                 | 27      | 35 | 1000-5046 |
| 29 |                 | 29      | 35 | 1000-5161 |
| 31 |                 | 31      | 35 | 1000-5119 |
| 33 |                 | 37      | 35 | 1000-5164 |
| 34 | Attention:      | 1000-27 |    |           |
| 35 | These           | 1000-50 |    |           |
| 37 | H-dimensions    | 1000-13 |    |           |
| 39 | only apply with | 1000-28 |    |           |
| 41 | a rod control   | 1000-26 |    |           |
| 43 |                 | 1000-12 |    |           |
| 44 |                 | 1000-11 |    |           |
| 45 |                 | 1000-51 |    |           |
| 47 |                 | 1000-52 |    |           |
| 49 |                 | 1000-25 |    |           |
| 51 |                 | 1000-53 |    |           |
| 53 |                 | 1000-54 |    |           |
| 54 |                 | 1000-10 |    |           |
| 56 |                 | 1000-55 |    |           |
| 59 |                 | 1000-56 |    |           |

Cams with other A- and L-dimensions on request.  
Minimum quantity: 2000 pieces

### Note:

The ramp increases the compression of the latch by 4 mm.

### Program 1325:

Works only with swinghandle. Combination with escutcheon see page 3YA-820.

### Further parts see page

|               |                               |
|---------------|-------------------------------|
| – Ramp        | 1C-170                        |
| – Rod control | 3YA-110<br>3YA-120<br>3YA-140 |

### Program 1325

– Swinghandle 3BA-220

### Program 2225

– Swinghandle 3J-120

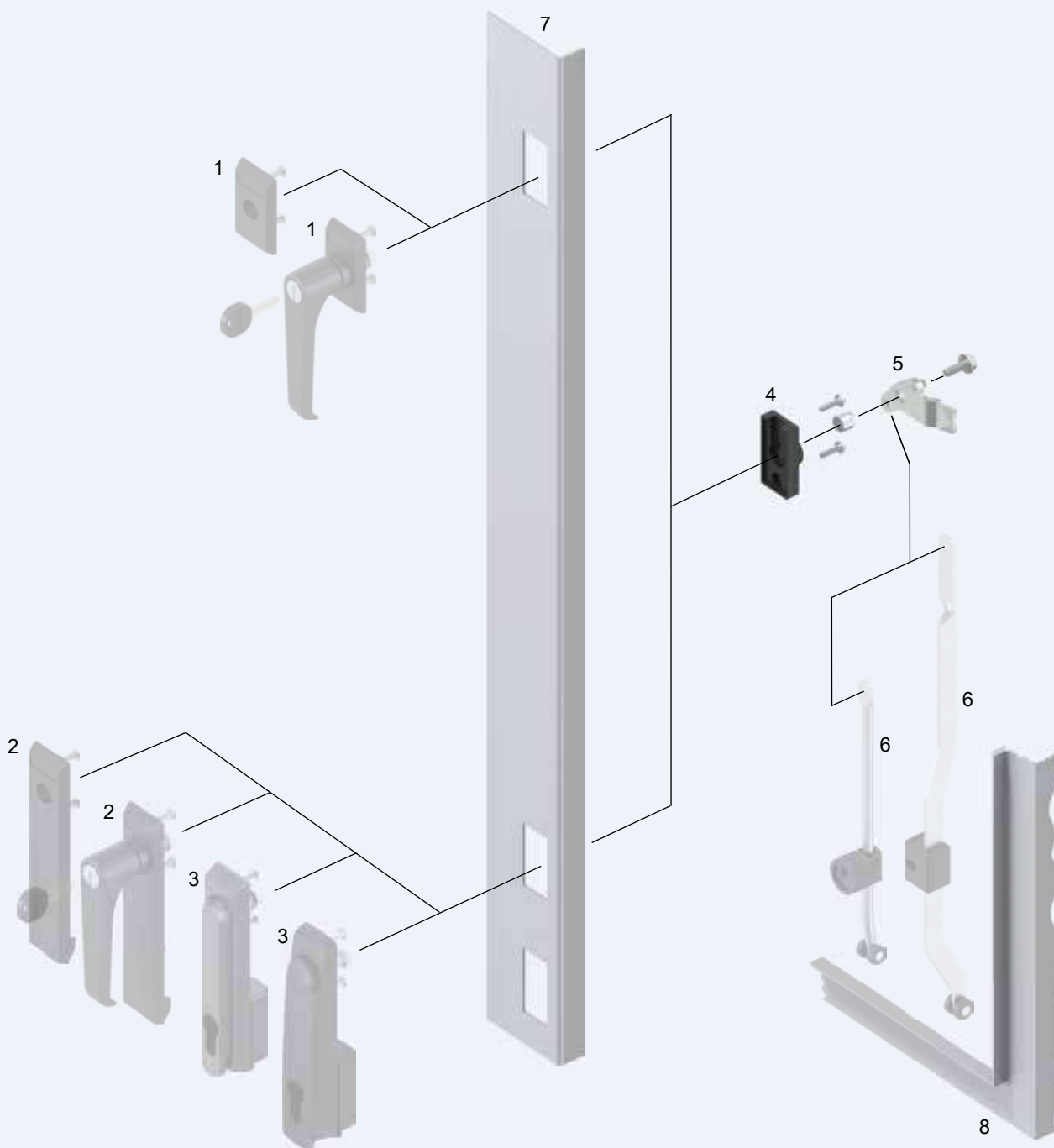
### Adapter AISI 316 L, screw m.s. zinc-plated

1121-U188



# Bearing bush with cam

## Program 1125, 1225, 1325, 2100, 3000



- 1 Escutcheon small
- 2 Escutcheon long
- 3 Swinghandle
- 4 Bearing bush
- 5 Cam
- 6 Rod (inside the sealing)
- 7 Door
- 8 Housing / Frame

Program 1125, 1225  
 Program 1125, 1225, 1325, 2100  
 Program 1125, 1225, 2100, 3000  
 3YB-120, 3YB-140  
 3YB-420, 3YB-440, 3YB-460

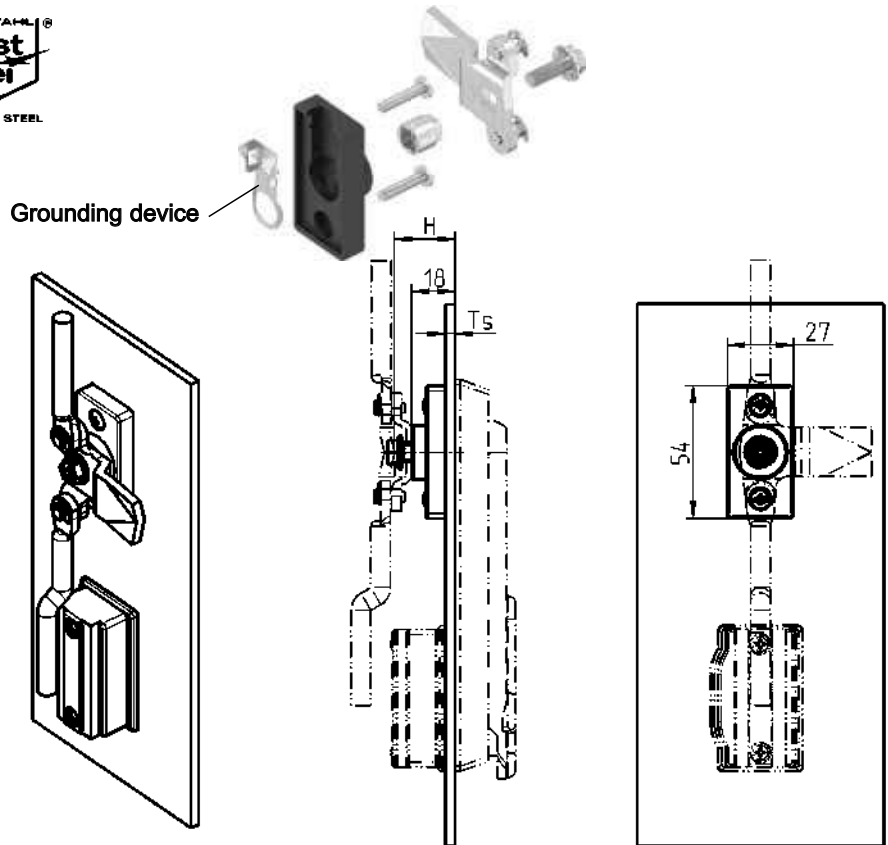


# 3YB-100

Info  
1 Quarter turns  
2 Rod controls  
3 Locking systems  
4 Hinges  
5 Seals  
6 Handles  
7 Aluminium windows  
8 Miscellaneous  
9 Special catalogues  
Index



**AISI INOX**



Attention: Escutcheons and swinghandles assembled with rear cap can not be used with standard rods!  
Special rods on request!

**Note:**  
Grounding device can be used with bearing bushes for Ts = 1.0, 1.5 and 2.0! (not suitable for Program 3000)

Adapter and fixing material for Program 3000 see catalogue page 3N-120

**Further parts see page**  
 – Cam for bearing bush without stopper 3YB-420  
 – Cam for bearing bush with stopper 3YB-440  
 – Rod control for cam 3YB-460  
 – Grounding device (not suitable for Program 3000) 3YA-720

**Program 1125**  
 – Escutcheon 1121 3B-120  
 – Escutcheon 1123 3B-180  
 – Swinghandle 3B-220  
 3B-420

**Program 1225**  
 – Escutcheon 1221 3G-120  
 – Escutcheon 1223 3G-180  
 – Swinghandle 3G-220  
 3G-420  
 3G-520

**Program 1325**  
 – Escutcheon 1321 3BA-120

**Program 3000**  
 – Swinghandle 3N-120

### Bearing bush polyamide GF black

|  | for Ts | without stopper | Escutcheon LH<br>Swinghandle RH<br>with stopper | Escutcheon RH<br>Swinghandle LH<br>with stopper |
|--|--------|-----------------|---|---|
|  | 1.0    | 1125-81-010     | 1125-83-010                                     | 1125-84-010                                     |
|  | 1.5    | 1125-81-015     | 1125-83-015                                     | 1125-84-015                                     |
|  | 2.0    | 1125-81-020     | 1125-83-020                                     | 1125-84-020                                     |
|  | 2.5    | 1125-81-025     | 1125-83-025                                     | 1125-84-025                                     |
|  | 3.0    | 1125-81-030     | 1125-83-030                                     | 1125-84-030                                     |
|  | 4.0    | 1125-81-040     | 1125-83-040                                     | 1125-84-040                                     |
|  | 5.0    | 1125-81-050     | 1125-83-050                                     | 1125-84-050                                     |
|  | 6.0    | 1125-81-060     | 1125-83-060                                     | 1125-84-060                                     |
|  | 8.0    | 1125-81-080     | on request                                      | on request                                      |
|  | 10.0   | 1125-81-100     | on request                                      | on request                                      |
|  | 11.0   | 1125-81-110     | on request                                      | on request                                      |
|  | 12.0   | 1125-81-120     | –   | –   |

### Bearing bush zinc die zinc-plated

|  |     |               |   |   |
|--|-----|---------------|---|---|
|  | 2.0 | 1125-81-020QA | – | – |
|--|-----|---------------|---|---|

### Bearing bush AISI 316

|  |     |               |   |   |
|--|-----|---------------|---|---|
|  | 2.0 | 1125-81-020PH | – | – |
|--|-----|---------------|---|---|

Order extra: (not suitable for program 3000, see note)

Adapter AISI 316L, fixing material m.s. zinc-plated or stainless steel

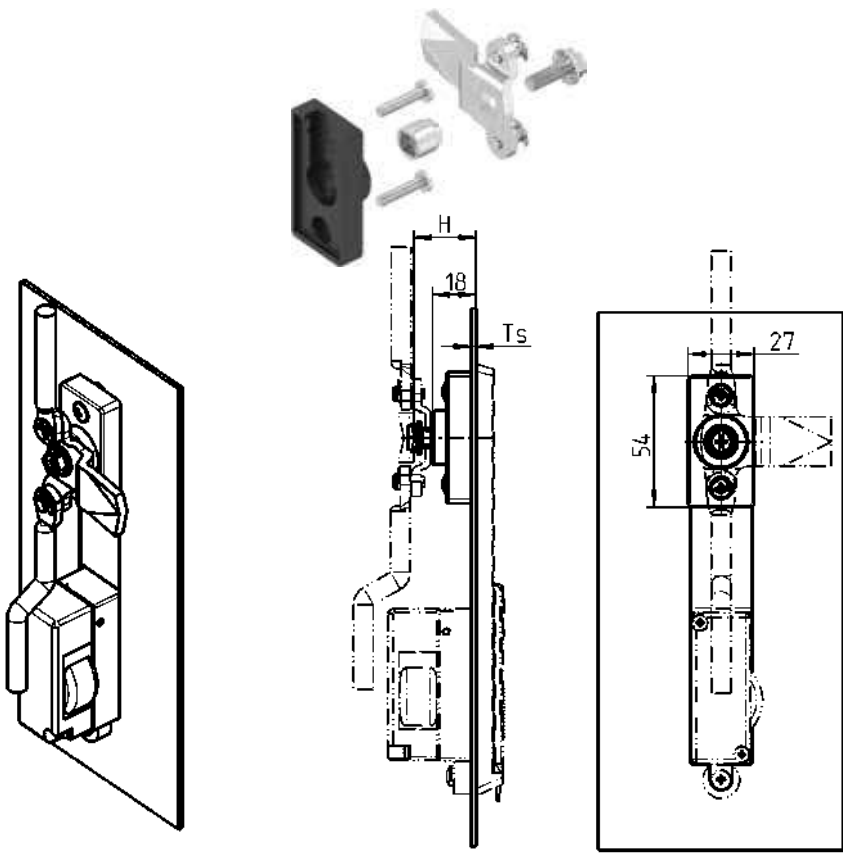
| Program 1125, 1225, 1325 |             | Ts 1.0 – 3.0 | Ts 4.0 – 6.0 | Ts 8.0 – 12.0 |
|--------------------------|-------------|--------------|--------------|---------------|
| m.s.                     | Swinghandle | 1125-U284    | 1125-U284    | 1125-U285     |
| m.s.                     | Escutcheon  | 1125-U286    | 1125-U287    | 1125-U288     |
| AISI                     | Swinghandle | 1125-U284-PH | –            | –             |
| AISI                     | Escutcheon  | 1125-U286-PH | –            | –             |

**3YB-120** 11/15  
(3B-120)



# Bearing bush Ts 1.0 – 12.0 mm

## PROGRAM 2100



Attention: Swinghandles can not be used with standard round rods!  
Special rods on request!



1 Quarter turns

2 Rod controls

3 Locking systems

4 Hinges

5 Seals

6 Handles

7 Aluminium windows

8 Miscellaneous

9 Special catalogues

Index

### Bearing bush polyamide GF black

| for Ts | without stopper | Escutcheon LH<br>Swinghandle RH<br>with stopper | Escutcheon RH<br>Swinghandle LH<br>with stopper |
|--------|-----------------|---|---|
| 1.0    | 1125-81-010     | 1125-83-010                                     | 1125-84-010                                     |
| 1.5    | 1125-81-015     | 1125-83-015                                     | 1125-84-015                                     |
| 2.0    | 1125-81-020     | 1125-83-020                                     | 1125-84-020                                     |
| 2.5    | 1125-81-025     | 1125-83-025                                     | 1125-84-025                                     |
| 3.0    | 1125-81-030     | 1125-83-030                                     | 1125-84-030                                     |
| 4.0    | 1125-81-040     | 1125-83-040                                     | 1125-84-040                                     |
| 5.0    | 1125-81-050     | 1125-83-050                                     | 1125-84-050                                     |
| 6.0    | 1125-81-060     | 1125-83-060                                     | 1125-84-060                                     |
| 8.0    | 1125-81-080     | on request                                      | on request                                      |
| 10.0   | 1125-81-100     | on request                                      | on request                                      |
| 11.0   | 1125-81-110     | on request                                      | on request                                      |
| 12.0   | 1125-81-120     | -   | -   |

#### Order extra:

Adapter AISI 316L, fixing material m.s. zinc-plated

for Ts 1.0 - 12.0

1125-U286

#### Further parts see page

- Cam for bearing bush without stopper 3YB-420
- Cam for bearing bush with stopper 3YB-440
- Rod control for cam 3YB-460

#### Program 2100

- Escutcheon 2150 3H-120
- Escutcheon 2153 3H-220
- Swinghandle 3H-320 to 3H-420

Info

1 Quarter turns

2 Rod controls

3 Locking systems

4 Hinges

5 Seals

6 Handles

7 Aluminium windows

8 Miscellaneous

9 Special catalogues

Index



### Further parts see page

- Ramp 1C-170
- Rod
- inside 3ZB-120
- Bearing bush 3YB-120
- 3YB-140

### Version A



### Version B



**Note:**  
The ramp increases the compression of the latch by 4 mm.

### Further parts see page

- Ramp 1C-170

### Program 1125, 1225, 1325, 3000

- Rod
- inside 3ZB-420
- Bearing bush 3YB-120

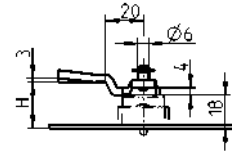
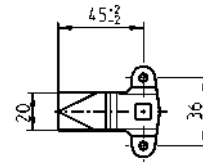
### Program 2100

- Rod
- inside 3ZB-820
- Bearing bush 3YB-140

### Cam with rod control

#### Stroke 18 mm

**Note:**  
The ramp increases the compression of the latch by 4 mm.



### Cam m.s. zinc-plated

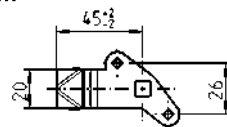
| H  |           | H  |           | H  |           |
|----|-----------|----|-----------|----|-----------|
| 18 | 1107-U119 | 30 | 1107-U124 | 42 | 1107-U131 |
| 20 | 1107-U120 | 32 | 1107-U125 | 44 | 1107-U132 |
| 22 | 1107-U5   | 34 | 1107-U126 | 45 | 1107-U133 |
| 24 | 1107-U121 | 35 | 1107-U127 | 47 | 1107-U134 |
| 25 | 1107-U122 | 36 | 1107-U128 | 50 | 1107-U135 |
| 26 | 1107-U123 | 38 | 1107-U129 |    |           |
| 28 | 1107-U6   | 40 | 1107-U130 |    |           |

### Rod control m.s. zinc-plated

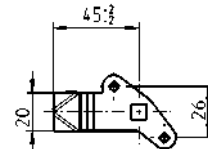
1107-U88

### Cam with rod control

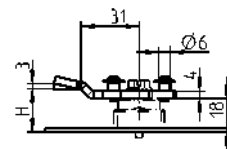
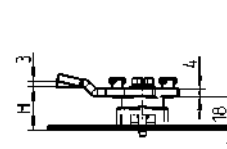
#### Stroke 26 mm



Version A: Cam with T rivets



Version B: Cam with round rivets



### Version A: Cam m.s. zinc-plated

| H  | Right        | Left         | H  | Right        | Left         |
|----|--------------|--------------|----|--------------|--------------|
| 23 | 1000-U544-23 | 1000-U545-23 | 31 | 1000-U544-31 | 1000-U545-31 |
| 25 | 1000-U544-25 | 1000-U545-25 | 35 | 1000-U544-35 | 1000-U545-35 |
| 27 | 1000-U544-27 | 1000-U545-27 | 38 | 1000-U544-38 | 1000-U545-38 |
| 29 | 1000-U544-29 | 1000-U545-29 |    |              |              |

### Rod control m.s. zinc-plated

1000-U632

### Version B: Cam m.s. zinc-plated

| H  | Right        | Left         | H  | Right        | Left         |
|----|--------------|--------------|----|--------------|--------------|
| 23 | 1000-U661-23 | 1000-U662-23 | 31 | 1000-U661-31 | 1000-U662-31 |
| 25 | 1000-U661-25 | 1000-U662-25 | 35 | 1000-U661-35 | 1000-U662-35 |
| 27 | 1000-U661-27 | 1000-U662-27 | 38 | 1000-U661-38 | 1000-U662-38 |
| 29 | 1000-U661-29 | 1000-U662-29 | 40 | 1000-U661-40 | 1000-U662-40 |

### Rod control m.s. zinc-plated

1000-U663

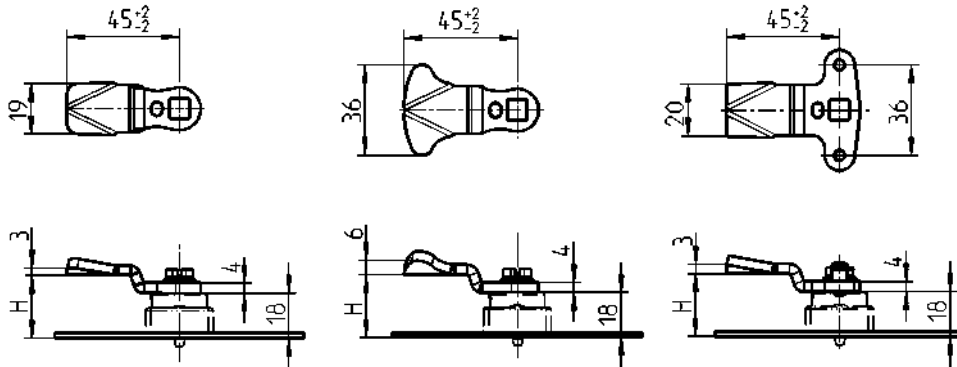
## 3YB-420 01/13

(3B-220; 3E-220)

# Cams for bearing bush with stopper

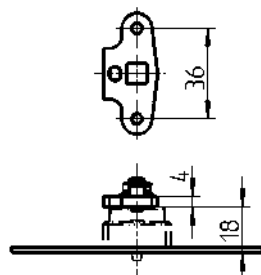
PROGRAM 1125, 1225, 1325, 2100, 3000

Cam with rod control  
Stroke 18 mm



| Cam m.s. zinc-plated |         | Cam m.s. zinc-plated |          | Cam m.s. zinc-plated |          |
|----------------------|---------|----------------------|----------|----------------------|----------|
| H                    |         | H                    |          | H                    |          |
| 18                   | 1000-17 | 18                   | 1000-293 | 18                   | 1000-U26 |
| 20                   | 1000-16 | 20                   | 1000-294 | 20                   | 1000-U27 |
| 22                   | 1000-15 | 22                   | 1000-295 | 22                   | 1000-U28 |
| 24                   | 1000-14 | 24                   | 1000-296 | 24                   | 1000-U29 |
| 25                   | 1000-27 | 25                   | 1000-297 | 25                   | 1000-U30 |
| 26                   | 1000-50 | 26                   | 1000-298 | 26                   | 1000-U31 |
| 28                   | 1000-13 | 28                   | 1000-299 | 28                   | 1000-U32 |
| 30                   | 1000-28 | 30                   | 1000-300 | 30                   | 1000-U33 |
| 32                   | 1000-26 | 32                   | 1000-301 | 32                   | 1000-U34 |
| 34                   | 1000-12 | 34                   | 1000-302 | 34                   | 1000-U35 |
| 35                   | 1000-11 | 35                   | 1000-303 | 35                   | 1000-U36 |
| 36                   | 1000-51 | 36                   | 1000-304 | 36                   | 1000-U37 |
| 38                   | 1000-52 | 38                   | 1000-305 | 38                   | 1000-U38 |
| 40                   | 1000-25 | 40                   | 1000-306 | 40                   | 1000-U39 |
| 42                   | 1000-53 | 42                   | 1000-307 | 42                   | 1000-U40 |
| 44                   | 1000-54 | 44                   | 1000-308 | 44                   | 1000-U41 |
| 45                   | 1000-10 | 45                   | 1000-309 | 45                   | 1000-U42 |
| 47                   | 1000-55 | 47                   | 1000-310 | 47                   | 1000-U43 |
| 50                   | 1000-56 | 50                   | 1000-311 | 50                   | 1000-U44 |

Cam with rod control  
Stroke 18 mm



Rod control m.s. zinc-plated

1000-U167

© EMKA Beschlagteile GmbH & Co. KG • 2021 • www.emka.com



**Note:**  
The ramp increases the compression of the latch by 4 mm.

Further parts see page

- Ramp 1C-170
- Rod
- inside 3ZB-120
- Bearing bush 3YB-120  
3YB-140

3YB-440 01/13

Info

1 Quarter turns

2 Rod controls

3 Locking systems

4 Hinges

5 Seals

6 Handles

7 Aluminium windows

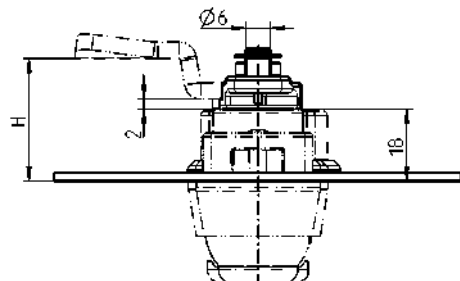
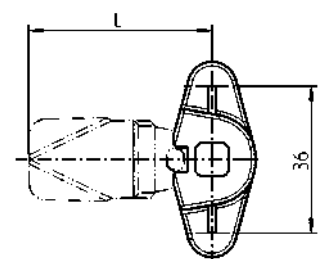
8 Miscellaneous

9 Special catalogues

Index



Stroke 18 mm



**Attention:**  
By using the rod control the H-dimension of the cam increases by 2 mm

**Note:**  
The ramp increases the compression of the latch by 4 mm.

**Further parts see page**

- Cam (GH = 18)      1C-120
- Ramp                    1C-170

- Rod
- inside                    3ZB-120
- Bearing bush            3YB-120
- 3YB-140

Rod control zinc die zinc-plated, circlip m.s. zinc-plated

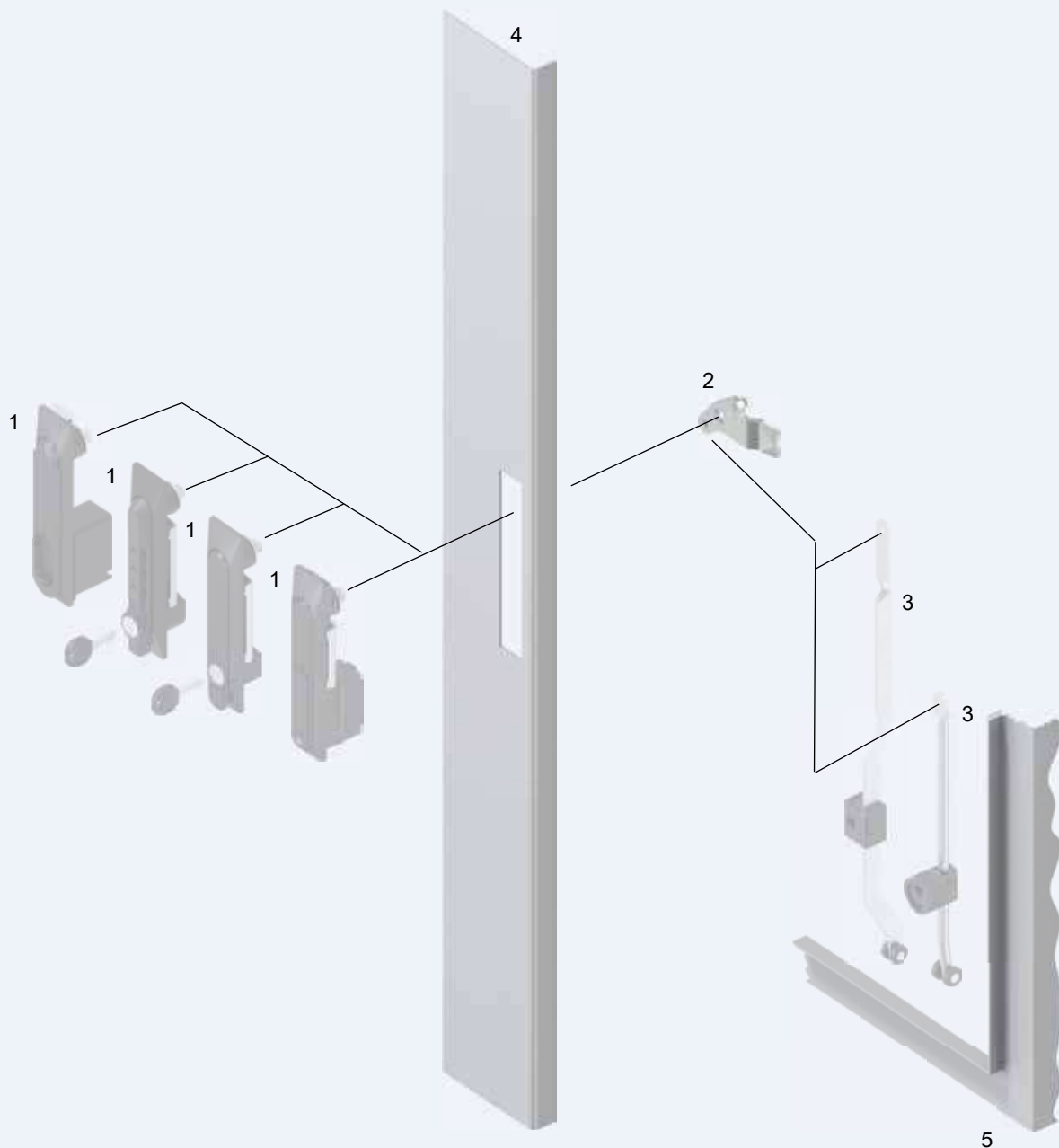
1107-U246

Rod control AISI 316

1107-U246-PH

# Cam

## Program 1091, 1107, 1125, 1150, 1180, 1225, 1317, 1325, 2225



- 1 Swinghandle
- 2 Cam
- 3 Rod (inside the sealing)
- 4 Door
- 5 Housing / Frame

Program 1107, 1125, 1150, 1180, 1225, 1317, 1325, 2225  
3YC-120, 3YC-140, 3YC-180



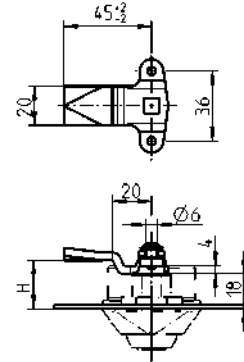
# 3YC-100

Info  
1 Quarter turns  
2 Rod controls  
3 Locking systems  
4 Hinges  
5 Seals  
6 Handles  
7 Aluminium windows  
8 Miscellaneous  
9 Special catalogues  
Index



**Cam with rod control**  
**Stroke 18 mm**

Attention:  
Not suitable for Program 1150 and 2225!



**Further parts see page**  
– Ramp 1C-170

**Program 1107, 1317**  
– Rod

inside from 3ZB-120  
– Swinghandle 1107 3A-120 to 3A-420  
– Swinghandle 1317 3AB-120 to 3AB-160

**Program 1125**  
– Rod on request  
– Swinghandle (Version B) 3B-320

**Further parts see page**  
– Ramp 1C-170

**Program 1107, 1317**  
– Rod

inside 3ZB-320  
– Swinghandle 1107 3A-120 to 3A-420  
– Swinghandle 1317 3AB-120 to 3AB-160

**Program 1125**  
– Rod  
 inside 3ZB-440  
– Swinghandle (Version B) 3B-320

**Program 1150**  
– Rod

inside for swinghandle (3C-140, 3C-620 to 3C-750) 3ZB-520

inside for swinghandle (3C-160, 3C-220, 3C-260 to 3C-320) 3ZB-540

– Swinghandle 3C-140 to 3C-320 3C-620 to 3C-750

**Program 1180**  
– Rod

inside 3ZB-620  
– Swinghandle 1185 3E-520 3E-540

**Program 1325**  
– Rod

inside 3ZB-420  
– Swinghandle 3BA-220

**Program 2225**  
– Rod

inside 3ZB-540  
– Swinghandle 3J-120

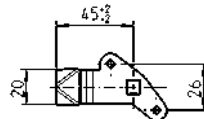
### Cam m.s. zinc-plated

| H  |           | H  |           | H  |           | H  |           |
|----|-----------|----|-----------|----|-----------|----|-----------|
| 4  | 1107-U112 | 18 | 1107-U119 | 30 | 1107-U124 | 42 | 1107-U131 |
| 6  | 1107-U113 | 20 | 1107-U120 | 32 | 1107-U125 | 44 | 1107-U132 |
| 8  | 1107-U114 | 22 | 1107-U5   | 34 | 1107-U126 | 45 | 1107-U133 |
| 10 | 1107-U115 | 24 | 1107-U121 | 35 | 1107-U127 | 47 | 1107-U134 |
| 13 | 1107-U116 | 25 | 1107-U122 | 36 | 1107-U128 | 50 | 1107-U135 |
| 14 | 1107-U117 | 26 | 1107-U123 | 38 | 1107-U129 |    |           |
| 16 | 1107-U118 | 28 | 1107-U6   | 40 | 1107-U130 |    |           |

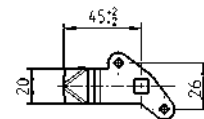
### Rod control m.s. zinc-plated

1107-U88

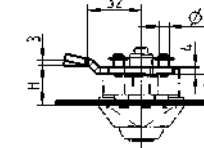
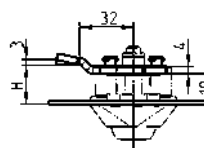
**Cam with rod control**  
**Stroke 26 mm**



Version A: Cam with T rivets



Version B: Cam with round rivets



### Version A: Cam m.s. zinc-plated

| H  | Right        | Left         | H  | Right        | Left         |
|----|--------------|--------------|----|--------------|--------------|
| 23 | 1000-U544-23 | 1000-U545-23 | 31 | 1000-U544-31 | 1000-U545-31 |
| 25 | 1000-U544-25 | 1000-U545-25 | 35 | 1000-U544-35 | 1000-U545-35 |
| 27 | 1000-U544-27 | 1000-U545-27 | 38 | 1000-U544-38 | 1000-U545-38 |
| 29 | 1000-U544-29 | 1000-U545-29 |    |              |              |

### Rod control m.s. zinc-plated

1000-U632

### Version B: Cam m.s. zinc-plated

| H  | Right        | Left         | H  | Right        | Left         |
|----|--------------|--------------|----|--------------|--------------|
| 23 | 1000-U661-23 | 1000-U662-23 | 31 | 1000-U661-31 | 1000-U662-31 |
| 25 | 1000-U661-25 | 1000-U662-25 | 35 | 1000-U661-35 | 1000-U662-35 |
| 27 | 1000-U661-27 | 1000-U662-27 | 38 | 1000-U661-38 | 1000-U662-38 |
| 29 | 1000-U661-29 | 1000-U662-29 | 40 | 1000-U661-40 | 1000-U662-40 |

### Rod control m.s. zinc-plated

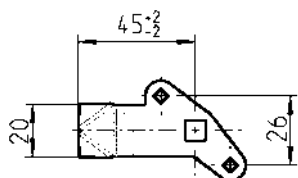
1000-U663

# Cam

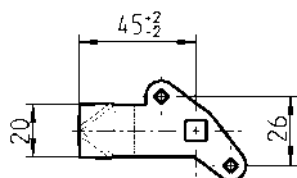
## PROGRAM 1125, 1150, 1180, 1225

Cam with rod control  
Stroke 26 mm

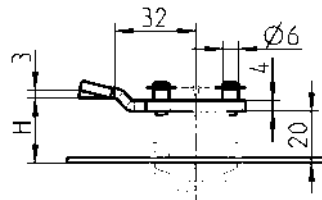
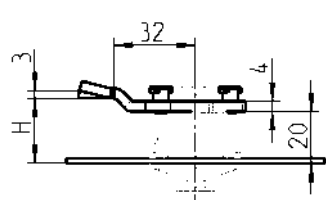
Program 1150, 1180



Version A: Cam with T rivets



Version B: Cam with round rivets



### Version A: Cam m.s. zinc-plated

| H  | Right        | Left         | H  | Right        | Left         |
|----|--------------|--------------|----|--------------|--------------|
| 25 | 1000-U544-23 | 1000-U545-23 | 33 | 1000-U544-31 | 1000-U545-31 |
| 27 | 1000-U544-25 | 1000-U545-25 | 37 | 1000-U544-35 | 1000-U545-35 |
| 29 | 1000-U544-27 | 1000-U545-27 | 40 | 1000-U544-38 | 1000-U545-38 |
| 31 | 1000-U544-29 | 1000-U545-29 |    |              |              |

### Rod control m.s. zinc-plated

|  |  |  |  |  |           |
|--|--|--|--|--|-----------|
|  |  |  |  |  | 1000-U632 |
|--|--|--|--|--|-----------|

### Version B: Cam m.s. zinc-plated

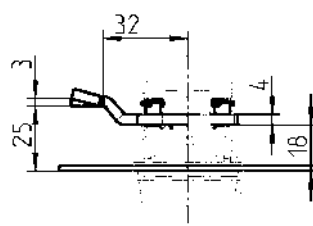
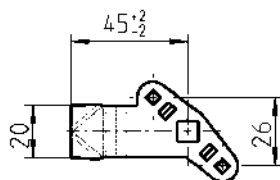
| H  | Right        | Left         | H  | Right        | Left         |
|----|--------------|--------------|----|--------------|--------------|
| 25 | 1000-U661-23 | 1000-U662-23 | 33 | 1000-U661-31 | 1000-U662-31 |
| 27 | 1000-U661-25 | 1000-U662-25 | 37 | 1000-U661-35 | 1000-U662-35 |
| 29 | 1000-U661-27 | 1000-U662-27 | 40 | 1000-U661-38 | 1000-U662-38 |
| 31 | 1000-U661-29 | 1000-U662-29 | 42 | 1000-U661-40 | 1000-U662-40 |

### Rod control m.s. zinc-plated

|  |  |  |  |  |           |
|--|--|--|--|--|-----------|
|  |  |  |  |  | 1000-U663 |
|--|--|--|--|--|-----------|

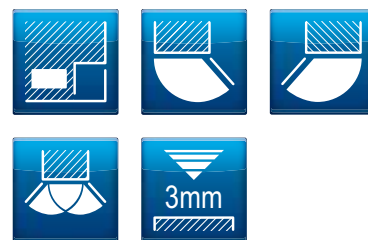
Cam with rod control  
Stroke 26 mm

Program 1125, 1225



### Version B: Cam m.s. zinc-plated

| H  | Right        | Left         |
|----|--------------|--------------|
| 25 | 1107-U242-25 | 1107-U243-25 |



Further parts see page

– Ramp 1C-170

### Program 1150

– Rod

inside for swinghandle 1150 (3C-120) 3ZB-520

inside for swinghandle 1151 (3C-420) 3ZB-540

– Swinghandle 1150 3C-120

– Swinghandle 1151 3C-420

### Program 1180

– Rod

inside 3ZB-620

– Swinghandle 1180 3E-320



Further parts see page

– Ramp 1C-170

### Program 1125

– Rod

inside 3ZB-440

– Swinghandle (Version C) 3B-320

### Program 1225

– Rod

inside 3ZB-720

– Swinghandle 3G-320

Info

1 Quarter turns

2 Rod controls

3 Locking systems

4 Hinges

5 Seals

6 Handles

7 Aluminium windows

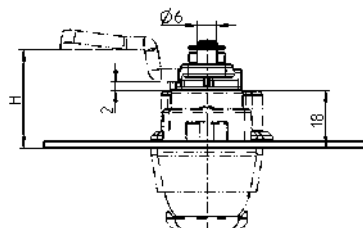
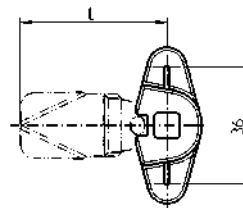
8 Miscellaneous

9 Special catalogues

Index



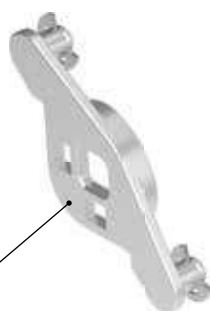
Stroke 18 mm



**Attention:**  
By using the rod control the H-dimension of the cam increases by 2 mm

**Note:**

Connecting rod for rod control combined with swinghandle 1125 double cylinder version B and swinghandle 1154 with RC2 on request only!



**Attention:**  
Only rod with eye can be used!

**Further parts see page**

- Cam (GH = 18) 1C-120
- Ramp 1C-170
- Rod inside 3ZB-120 (see note)

**Program 1107, 1317**

- Swinghandle 1107 3A-120 to 3A-220
- Swinghandle 1317 3AB-120 to 3AB-160

**Program 1125, 1325**

- Swinghandle 1125 (version B) 3B-320
- Swinghandle 1325 3BA-220

**Program 1150**

- Swinghandle 1154 3C-220
- Swinghandle 1154 with RC2 3C-260

Rod control zinc die zinc-plated, circlip m.s. zinc-plated

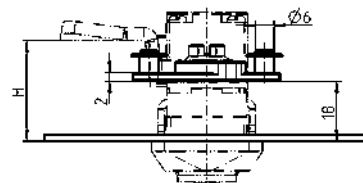
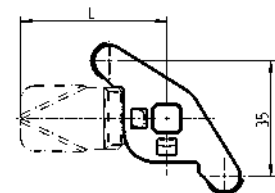
1107-U246

Rod control AISI 316

1107-U246-PH



Stroke 35 mm



**Note:**

Connecting rod for rod control combined with swinghandle 1125 double cylinder version B and swinghandle 1154 with RC2 on request only!

Rod control AISI 316

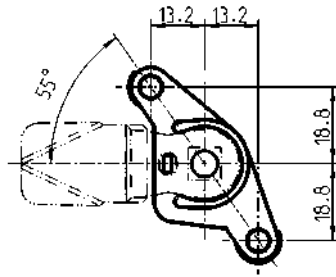
1150-U57



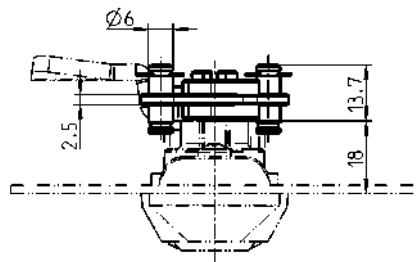
# Rod control for cam

## PROGRAM 1150, 1325, 2225

Only cams with stopper made of steel and stainless steel can be used.



Stroke 32 mm



Swinghandle 1325 with adapter for cam

Swinghandle 1150 with universal dish



Rod control zinc die zinc-plated; circlip m.s. zinc-plated;  
with additional locking screw m.s. zinc-plated

for swinghandle 1150 with universal dish

1150-U63-01

for swinghandle 1325 or 2225 with adapter for cam

1150-U63-02



### Attention:


Only cams with stopper made of steel and stainless steel can be used.

### Note:

When using the rod control for cam, the screw-in depth of the screw is reduced by 2.5 mm

### Further parts see page

- Cam (GH = 18) 1C-120
- Ramp 1C-170
- Rod for 1150

 inside 3ZB-520

**Attention:** The rod length is reduced by 5.8 mm, as the stroke is 32 mm

- Rod for 1325

 inside 3ZB-420

**Attention:** The rod length is reduced by 5.8 mm, as the stroke is 32 mm

- Rod for 2225

 inside 3ZB-540

**Attention:** The rod length is reduced by 5.8 mm, as the stroke is 32 mm

### Program 1150 with universal dish

- Swinghandle 1150 3C-720 to 3A-780

### Program 1325 with adapter for cam

- Swinghandle 1325 3BA-220

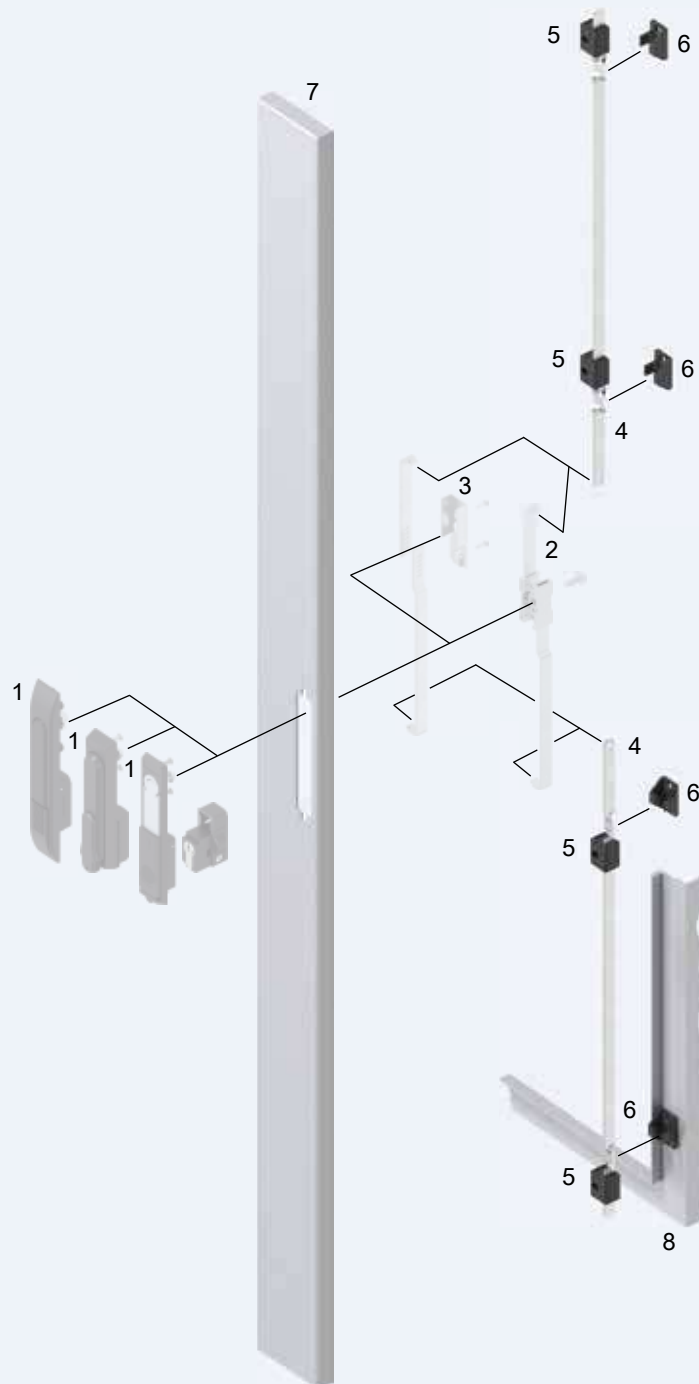
### Program 2225 with adapter for cam

- Swinghandle 2225 3J-120



# Rod and lock rod outside the sealing

## Program 1125, 1150, 1160, 1180, 1190, 1225, 1325, 1390, 2100, 2400, 3000



- 1 Swinghandle and escutcheon, Program 1125, 1150, 1160, 1180, 1190, 1225, 1325, 1390, 2100, 2400, 3000
- 2 Rod control
- 3 Rod control
- 4 Rod / Lock rod (outside the sealing)
- 5 Rod guide
- 6 Catch
- 7 Door
- 8 Housing / Frame



# 3ZA-100



4 various locking types



**A**  
Rod with locking slider  
see catalogue page 3ZA-220



**B**  
Twisted rod  
see catalogue page 3ZA-220



Rod with double roller  
for catch with bracket  
and extended catch area  
see page 3ZA-1210

**C**  
Rod with double roller  
see catalogue page 3ZA-260



**D**  
Rod with notch  
see catalogue page 3ZA-260

**Attention:**  
Rods with 90° turn - see catalogue page 3ZA-1120

| Program | Dimension A | Dimension B |
|---------|-------------|-------------|
| 1125    | 45          | 23          |
| 1150    | 45          | 22          |
| 1160    | 45          | 22          |
| 1180    | 45          | 22          |
| 1190    | 42          | 20          |
| 1225    | 45          | 23          |
| 1325    | 45          | 23          |
| 2100    | 45          | 22          |



Further parts see page

– Rods with 90° turn 3ZA-1120

**Program 1160**  
– Swinghandle and escutcheon 3D-120  
3D-140

**Program 1180**  
– Swinghandle and escutcheon 3E-120  
3E-140  
– Rod control 3YA-480

**Program 1190**  
– Lifthandle 3F-120  
– Escutcheon 3F-220

**Program 1390**  
– Escutcheon 3FA-120  
– Lifthandle 3FA-140

**Program 1125, 1150, 1225, 1325, 3000**  
– Rod control 3YA-110

**Program 1150**  
– Rod control 3YA-420  
3YA-440

**Program 2100**  
– Rod control 3YA-520

Info

1 Quarter turns

2 Rod controls

3 Locking systems

4 Hinges

5 Seals

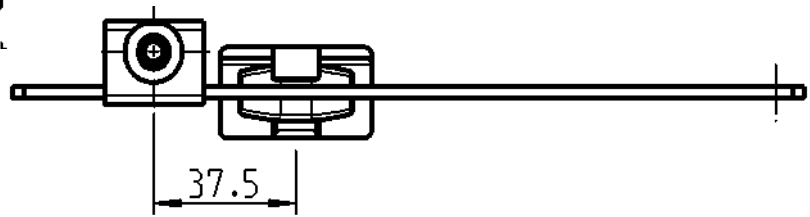
6 Handles

7 Aluminium windows

8 Miscellaneous

9 Special catalogues

Index

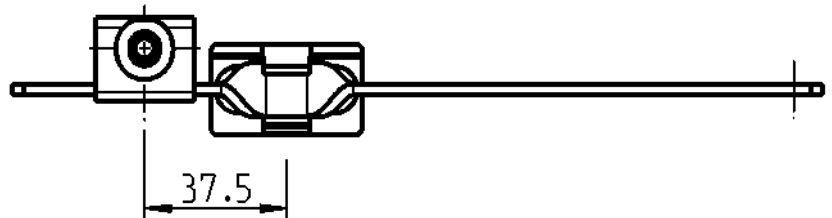


A



**Note:**  
For dimensions see table  
on catalogue page 3ZA-120

| Door height<br>Th | Rods   |        | Locking points<br>(door centre) |        | Rod material of choice;<br>locking slider polyamide GF black |           |
|-------------------|--------|--------|---------------------------------|--------|--|-----------|
|                   | Dim. X | Dim. Y | Dim. C                          | Dim. D | Material   | Part no.  |
| 800-1200          | -      | 126.5  | -                               | 300    | m.s. zinc-plated   | 1121-U99  |
|                   |        |        |                                 |        | Aluminium  | 1121-U100 |
|                   |        |        |                                 |        | AISI 304   | 1121-U101 |
| 1200-1600         | -      | 276.5  | -                               | 450    | m.s. zinc-plated   | 1121-U105 |
|                   |        |        |                                 |        | Aluminium  | 1121-U106 |
|                   |        |        |                                 |        | AISI 304   | 1121-U107 |
| 1600-1900         | 101.5  | 526.5  | 275                             | 700    | m.s. zinc-plated   | 1121-U111 |
|                   |        |        |                                 |        | Aluminium  | 1121-U112 |
|                   |        |        |                                 |        | AISI 304   | 1121-U113 |
| 1900-2200         | 101.5  | 676.5  | 275                             | 850    | m.s. zinc-plated   | 1121-U117 |
|                   |        |        |                                 |        | Aluminium  | 1121-U118 |
|                   |        |        |                                 |        | AISI 304   | 1121-U119 |



B

Further parts see page

- Catch 3ZA-1220
- Rod guide 3ZA-1240
- to 3ZC-120
- to 3ZC-170

**Program 1160**

- Swinghandle and escutcheon 3D-120
- 3D-140

**Program 1180**

- Swinghandle and escutcheon 3E-120
- 3E-140
- Rod control 3YA-480

**Program 1190**

- Liffhandle 3F-120
- Escutcheon 3F-220

**Program 1390**

- Escutcheon 3FA-120
- Liffhandle 3FA-140

**Program 1125, 1150, 1225, 1325, 3000**

- Rod control 3YA-110

**Program 1150**

- Rod control 3YA-420
- 3YA-440

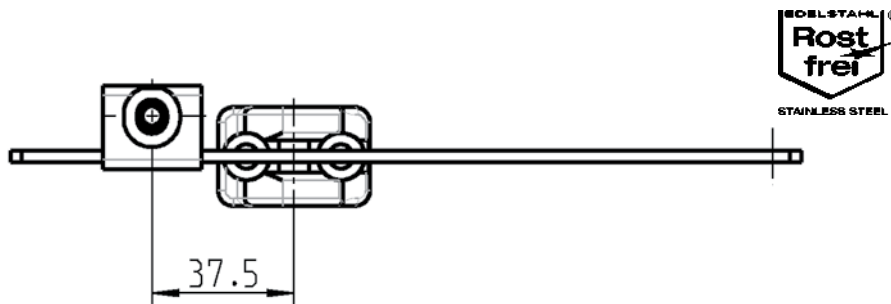
**Program 2100**

- Rod control 3YA-520

| Door height<br>Th | Rods   |        | Locking points<br>(door centre) |        | Rod material of choice |              |
|-------------------|--------|--------|---------------------------------|--------|------------------------|--------------|
|                   | Dim. X | Dim. Y | Dim. C                          | Dim. D | Material               | Part no.     |
| 800-1200          | -      | 126.5  | -                               | 300    | m.s. zinc-plated       | 1121-71-01RA |
|                   |        |        |                                 |        | Aluminium              | 1121-71-01TA |
|                   |        |        |                                 |        | AISI 304               | 1121-71-01PC |
| 1200-1600         | -      | 276.5  | -                               | 450    | m.s. zinc-plated       | 1121-71-03RA |
|                   |        |        |                                 |        | Aluminium              | 1121-71-03TA |
|                   |        |        |                                 |        | AISI 304               | 1121-71-03PC |
| 1600-1900         | 101.5  | 526.5  | 275                             | 700    | m.s. zinc-plated       | 1121-71-05RA |
|                   |        |        |                                 |        | Aluminium              | 1121-71-05TA |
|                   |        |        |                                 |        | AISI 304               | 1121-71-05PC |
| 1900-2200         | 101.5  | 676.5  | 275                             | 850    | m.s. zinc-plated       | 1121-71-07RA |
|                   |        |        |                                 |        | Aluminium              | 1121-71-07TA |
|                   |        |        |                                 |        | AISI 304               | 1121-71-07PC |

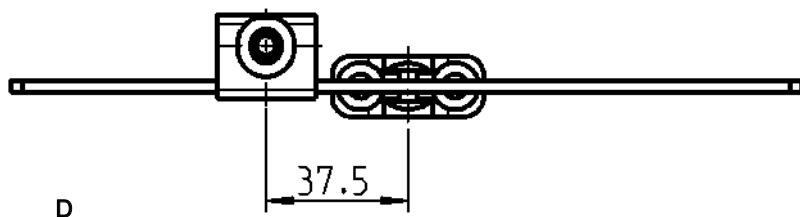
# Overview of rods

## PROGRAM 1125 - 3000



**Note:**  
For dimensions see table  
on catalogue page 3ZA-120

| Door height<br>Th | Rods      |           | Locking points<br>(door centre) |           | Rod<br>material of choice;<br>double roller brass |            |
|-------------------|-----------|-----------|---------------------------------|-----------|---|------------|
|                   | Dim.<br>X | Dim.<br>Y | Dim.<br>C                       | Dim.<br>D | Material  | Part no.   |
| 800-1200          | -         | 126.5     | -                               | 300       | m.s. zinc-plated                                  | 1121-U155  |
|                   |           |           |                                 |           | Aluminium   | on request |
|                   |           |           |                                 |           | AISI 304  | on request |
| 1200-1600         | -         | 276.5     | -                               | 450       | m.s. zinc-plated                                  | 1121-U158  |
|                   |           |           |                                 |           | Aluminium   | on request |
|                   |           |           |                                 |           | AISI 304  | on request |
| 1600-1900         | 101.5     | 526.5     | 275                             | 700       | m.s. zinc-plated                                  | 1121-U161  |
|                   |           |           |                                 |           | Aluminium   | on request |
|                   |           |           |                                 |           | AISI 304  | on request |
| 1900-2200         | 101.5     | 676.5     | 275                             | 850       | m.s. zinc-plated                                  | 1121-U164  |
|                   |           |           |                                 |           | Aluminium   | on request |
|                   |           |           |                                 |           | AISI 304  | on request |



| Door height<br>Th | Rods      |           | Locking points<br>(door centre) |           | Rod<br>material of choice |              |
|-------------------|-----------|-----------|---------------------------------|-----------|---------------------------|--------------|
|                   | Dim.<br>X | Dim.<br>Y | Dim.<br>C                       | Dim.<br>D | Material                  | Part no.     |
| 800-1200          | -         | 126.5     | -                               | 300       | m.s. zinc-plated          | 1121-68-01RA |
|                   |           |           |                                 |           | Aluminium                 | -            |
|                   |           |           |                                 |           | AISI 304                  | -            |
| 1200-1600         | -         | 276.5     | -                               | 450       | m.s. zinc-plated          | 1121-68-03RA |
|                   |           |           |                                 |           | Aluminium                 | -            |
|                   |           |           |                                 |           | AISI 304                  | -            |
| 1600-1900         | 101.5     | 526.5     | 275                             | 700       | m.s. zinc-plated          | 1121-68-05RA |
|                   |           |           |                                 |           | Aluminium                 | -            |
|                   |           |           |                                 |           | AISI 304                  | -            |
| 1900-2200         | 101.5     | 676.5     | 275                             | 850       | m.s. zinc-plated          | 1121-68-07RA |
|                   |           |           |                                 |           | Aluminium                 | -            |
|                   |           |           |                                 |           | AISI 304                  | -            |

### Further parts see page

- Catch 3ZA-1220
- 3ZA-1240
- Rod guide 3ZC-120
- to 3ZC-170

### Program 1160

- Swinghandle and escutcheon 3D-120
- 3D-140

### Program 1180

- Swinghandle and escutcheon 3E-120
- 3E-140
- Rod control 3YA-480

### Program 1190

- Lifhandle 3F-120
- Escutcheon 3F-220

### Program 1390

- Escutcheon 3FA-120
- Lifhandle 3FA-140

### Program 1125, 1150, 1225, 1325, 3000

- Rod control 3YA-110
- 3YA-120

### Program 1150

- Rod control 3YA-420
- 3YA-440

### Program 2100

- Rod control 3YA-520

Info

1 Quarter turns

2 Rod controls

3 Locking systems

4 Hinges

5 Seals

6 Handles

7 Aluminium windows

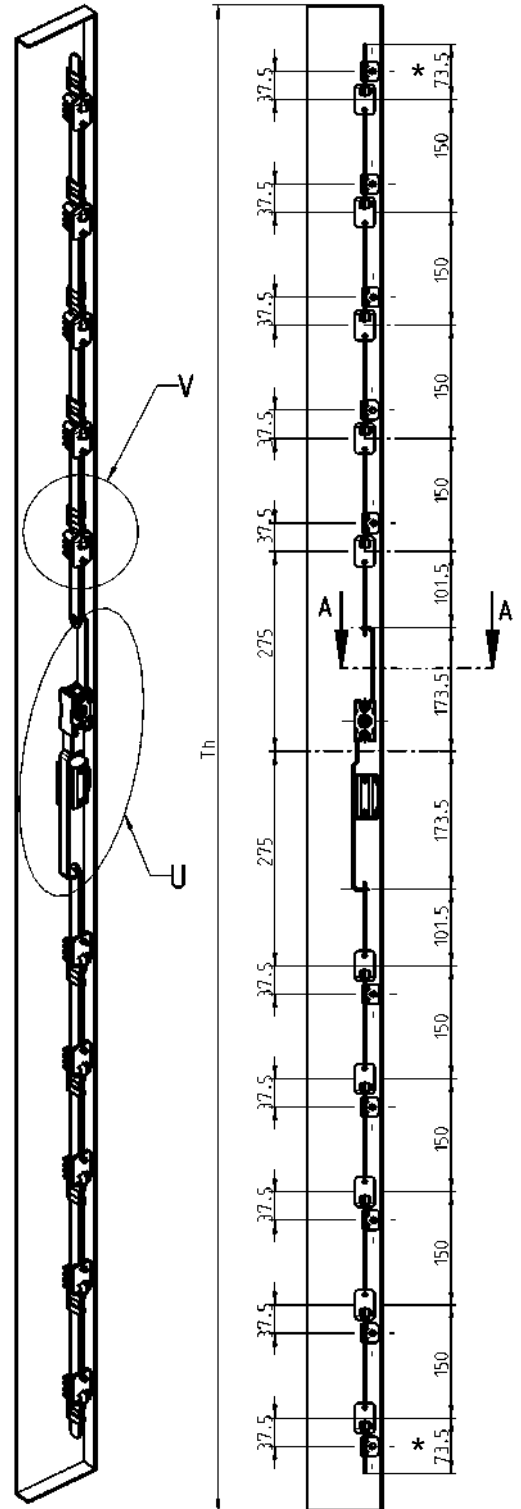
8 Miscellaneous

9 Special catalogues

Index

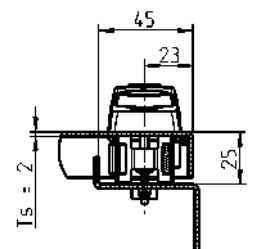


Door depicted transparent



Door depicted from inside

\* = Minimum length for shortened rods 50 mm



**Further parts see page**

- Rod guide 3ZC-120 to 3ZC-170

**Program 1160**

- Swinghandle and escutcheon 3D-120 3D-140

**Program 1180**

- Swinghandle and escutcheon 3E-120 3E-140  
- Rod control 3YA-320

**Program 1190**

- Liffhandle 3F-120  
- Escutcheon 3F-220

**Program 1390**

- Escutcheon 3FA-120  
- Liffhandle 3FA-140

**Program 1125, 1150, 1225, 1325, 3000**

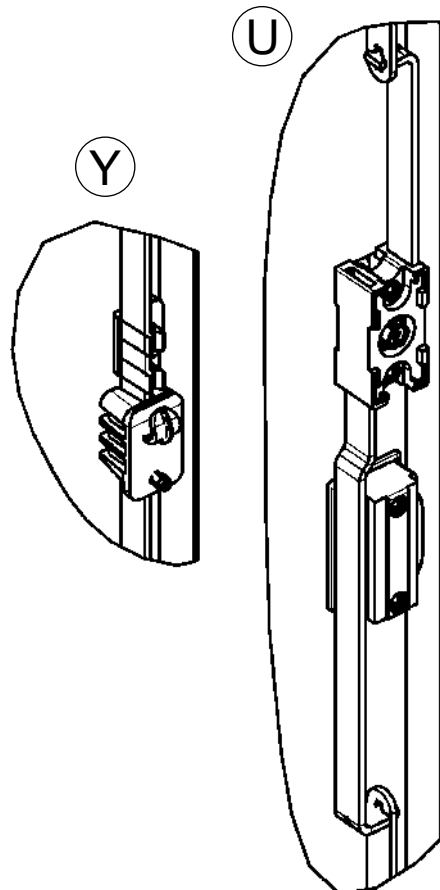
- Rod control 3YA-120

**Program 1150**

- Rod control 3YA-420 3YA-440

**Program 2100**

- Rod control 3YA-520

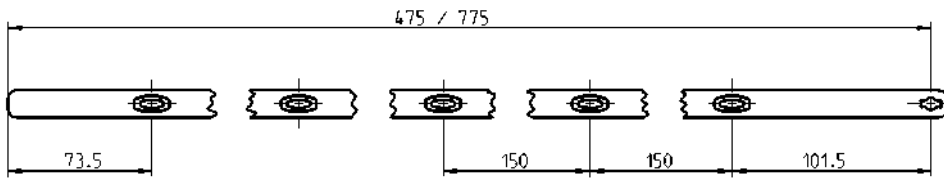


Rod with locking slider see catalogue page 3ZA-340



# Rods, Catches

## PROGRAM 1125 - 3000



### Rod with locking slider polyamide GF black

| Door height Th | Locking points | Rod length<br>* =Rod has to be shortened! |             |
|----------------|----------------|---|-------------|
| 800-1300       | 2-3            | 475 *                                     | 1121-115    |
| 1300-1600      | 3              | 475                                       | 1121-115    |
| 1600-1900      | 4-5            | 775 *                                     | 1121-115-01 |
| 1900-2200      | 5              | 775                                       | 1121-115-01 |

### Rod with locking slider polyamide GF silver grey metallic

| Door height Th | Locking points | Rod length<br>* =Rod has to be shortened! |               |
|----------------|----------------|---|---------------|
| 800-1300       | 2-3            | 475 *                                     | on request    |
| 1300-1600      | 3              | 475                                       | on request    |
| 1600-1900      | 4-5            | 775 *                                     | 1121-115-01CX |
| 1900-2200      | 5              | 775                                       | 1121-115-01CX |



### Further parts see page

- Rod guide 3ZC-120 to 3ZC-170

### Program 1160

- Swinghandle and escutcheon 3D-120 to 3D-140

### Program 1180

- Swinghandle and escutcheon 3E-120 to 3E-140  
- Rod control 3YA-320

### Program 1190

- Lifthandle 3F-120 to 3F-220

### Program 1390

- Escutcheon 3FA-120 to 3FA-140

### Program 1125, 1150, 1225, 1325, 3000

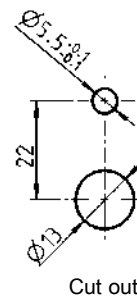
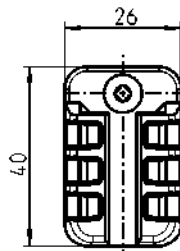
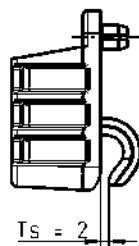
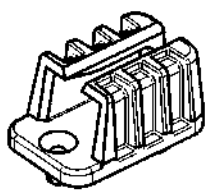
- Rod control 3YA-120

### Program 1150

- Rod control 3YA-420 to 3YA-440

### Program 2100

- Rod control 3YA-520



Cut out

### Catch polyamide black

for countersunk screw Ø 3.5 x 13 1121-116-01

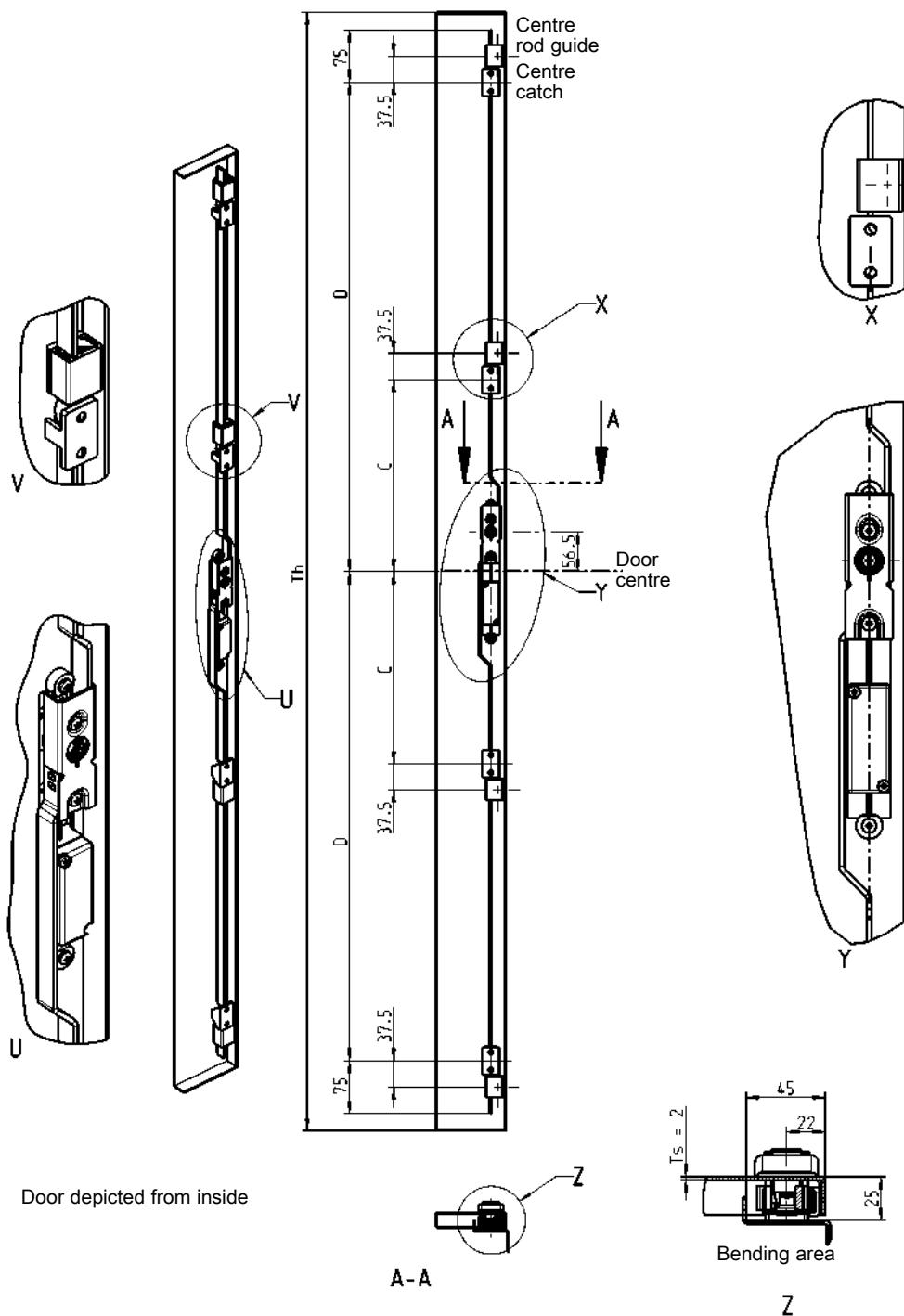
### Catch polyamide silver grey metallic

for countersunk screw Ø 3.5 x 13 1121-116-01CX

### Countersunk screw Ø 3.5 x 13

000104





| Door height<br>Th | Locking points<br>(door centre) |           | Part no.<br>upper rod |            | Part no.<br>lower rod |            |
|-------------------|---------------------------------|-----------|-----------------------|------------|-----------------------|------------|
|                   | Dim.<br>C                       | Dim.<br>D | m.s.<br>zinc-plated   | Aluminium  | m.s.<br>zinc-plated   | Aluminium  |
| 800-1200          | -                               | 300       | 1180-08-01RA          | on request | 1180-09-01RA          | on request |
| 1200-1600         | -                               | 450       | 1180-08-03RA          | on request | 1180-09-03RA          | on request |
| 1600-1900         | 275                             | 700       | 1180-08-05RA          | on request | 1180-09-05RA          | on request |
| 1900-2200         | 275                             | 850       | 1180-08-07RA          | on request | 1180-09-07RA          | on request |

Further parts see page  
 - Catch 3ZA-1220  
 - Rod guide 3ZC-120  
 to 3ZC-170

Program 1180  
 - Swinghandle and  
 escutcheon 3E-220

Info

1 Quarter turns



2 Rod controls

3 Locking systems

4 Hinges

5 Seals

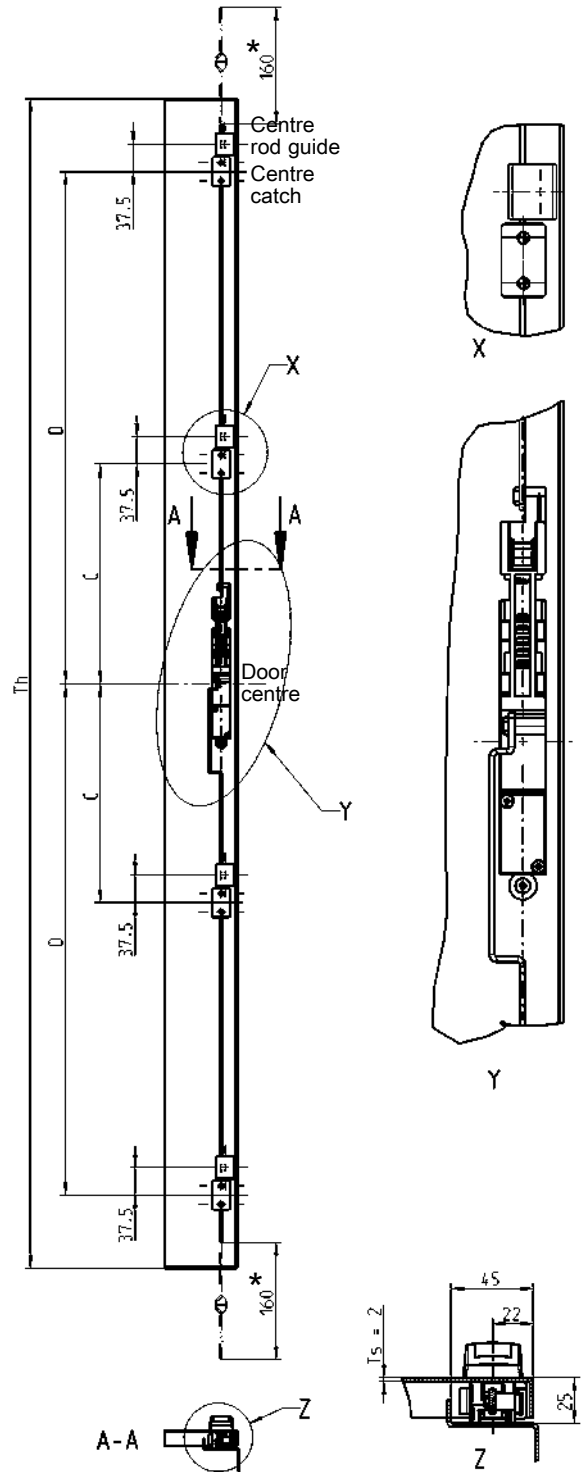
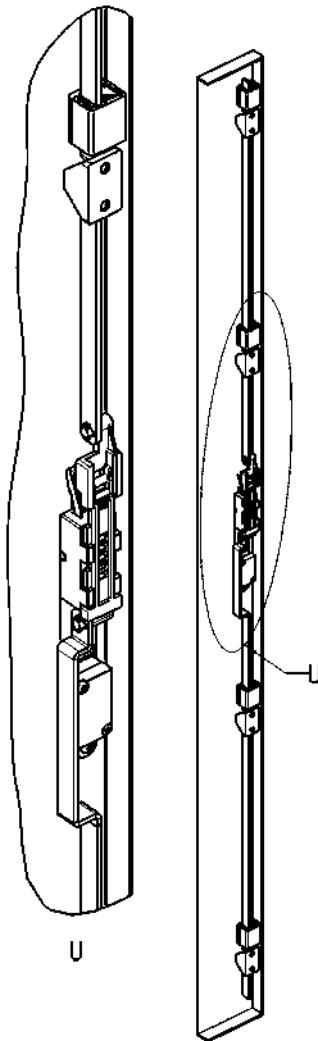
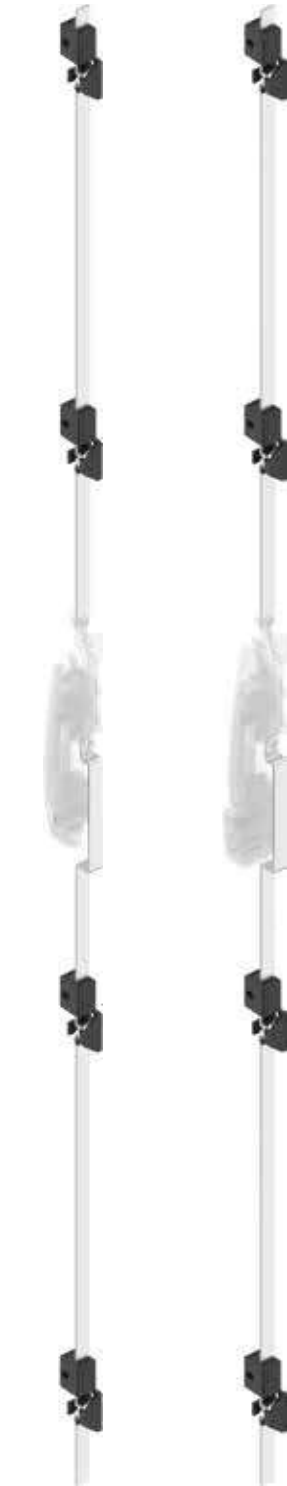
6 Handles

7 Aluminium windows

8 Miscellaneous

9 Special catalogues

Index



Door depicted from inside with  
Th = 1600-1900 as example

\* Flat rod has to be shortened

Further parts see page

– Catch 3ZA-1220  
– Rod guide 3ZC-120  
to 3ZC-170

Program 1190

– Swinghandle 3F-320  
3F-330

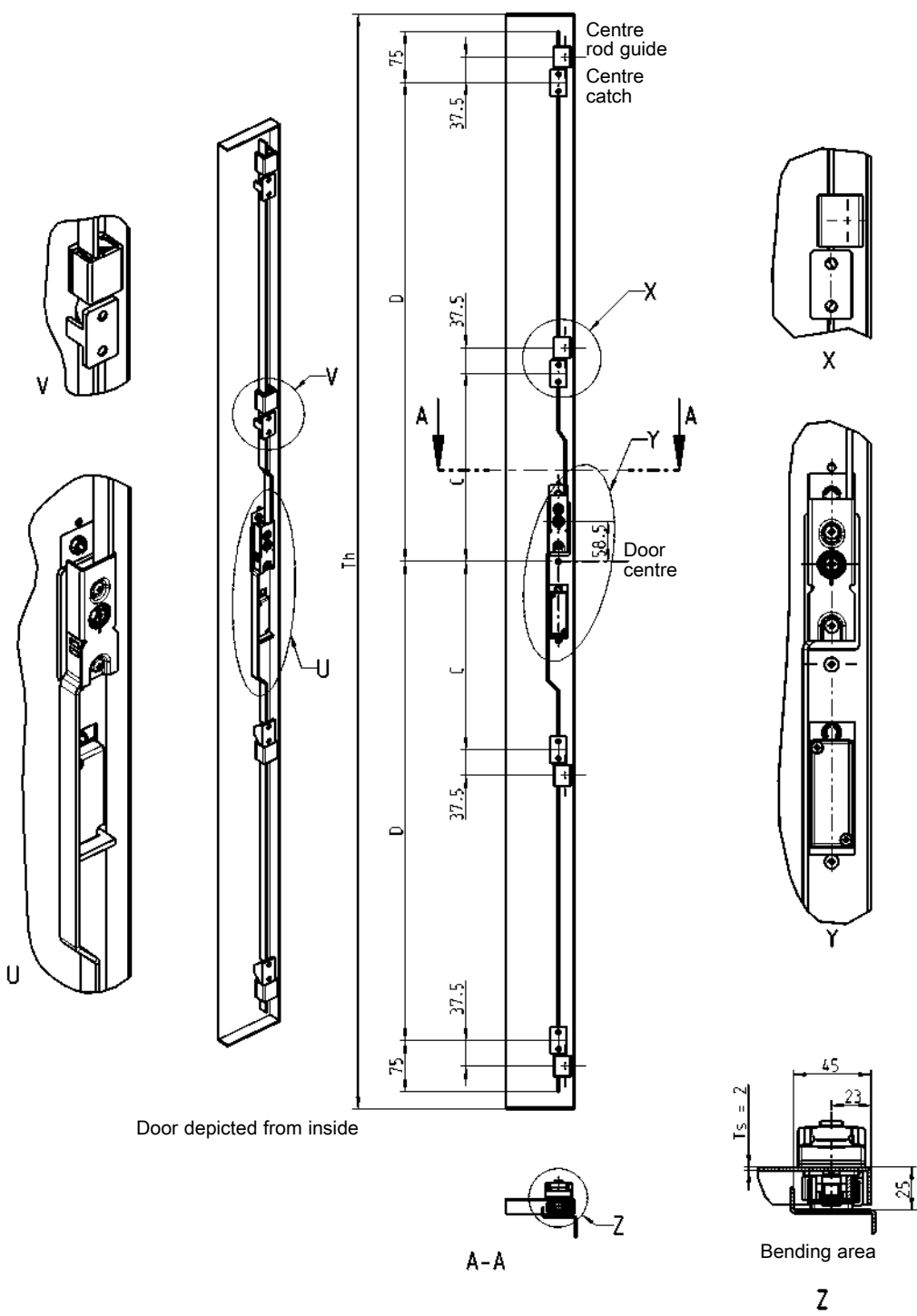
| Door height<br>Th | Locking points<br>(door centre) |           | Part no.<br>upper rod |               | Part no.<br>lower rod |               |
|-------------------|---------------------------------|-----------|-----------------------|---------------|-----------------------|---------------|
|                   | Dim.<br>C                       | Dim.<br>D | m.s.<br>zinc-plated   | Aluminium     | m.s.<br>zinc-plated   | Aluminium     |
| 800-1200          | –                               | 300       | 1190-25-01JB*         | 1190-25-01TA* | 1190-25-02JB*         | 1190-25-02TA* |
| 1200-1600         | –                               | 450       | 1190-25-01JB          | 1190-25-01TA  | 1190-25-02JB          | 1190-25-02TA  |
| 1600-1900         | 300                             | 700       | 1190-27-01JB*         | 1190-27-01TA* | 1190-27-02JB*         | 1190-27-02TA* |
| 1900-2200         | 300                             | 850       | 1190-27-01JB          | 1190-27-01TA  | 1190-27-02JB          | 1190-27-02TA  |

3ZA-560 01/14

© EMKA Beschlagteile GmbH & Co. KG • 2021 • www.emka.com

Items printed in gray without stock

# Twisted rods PROGRAM 2400



Door depicted from inside

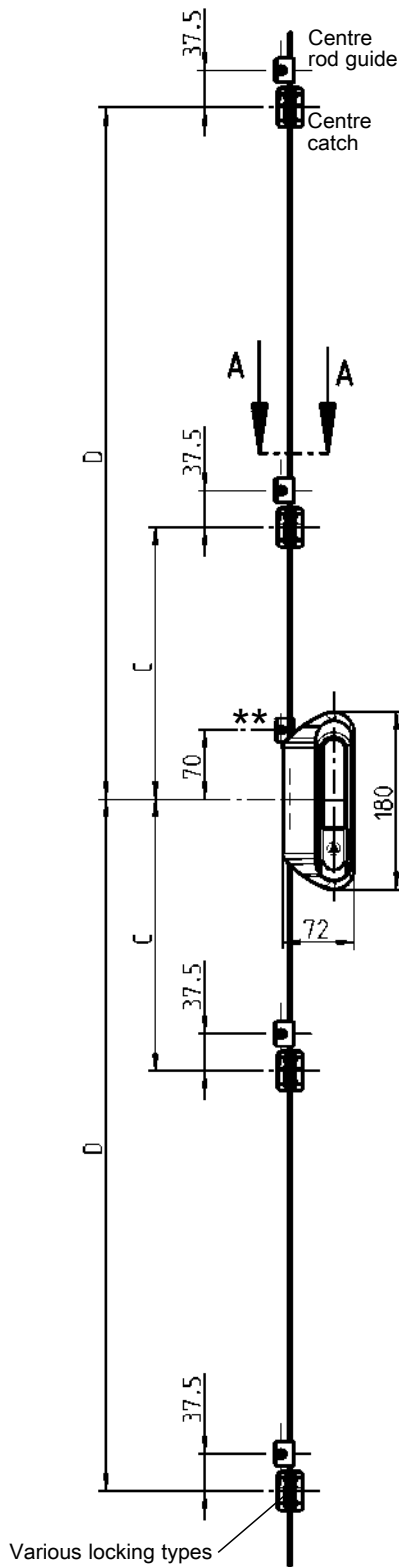


| Door height<br>Th | Locking points<br>(door centre) |           | Part no.<br>upper rod |            | Part no.<br>lower rod |            |
|-------------------|---------------------------------|-----------|-----------------------|------------|-----------------------|------------|
|                   | Dim.<br>C                       | Dim.<br>D | m.s.<br>zinc-plated   | Aluminium  | m.s.<br>zinc-plated   | Aluminium  |
| 800-1200          | -                               | 300       | 2400-19-01RA          | on request | 2400-18-01RA          | on request |
| 1200-1600         | -                               | 450       | 2400-19-03RA          | on request | 2400-18-03RA          | on request |
| 1600-1900         | 275                             | 700       | 2400-19-05RA          | on request | 2400-18-05RA          | on request |
| 1900-2200         | 275                             | 850       | 2400-19-07RA          | on request | 2400-18-07RA          | on request |

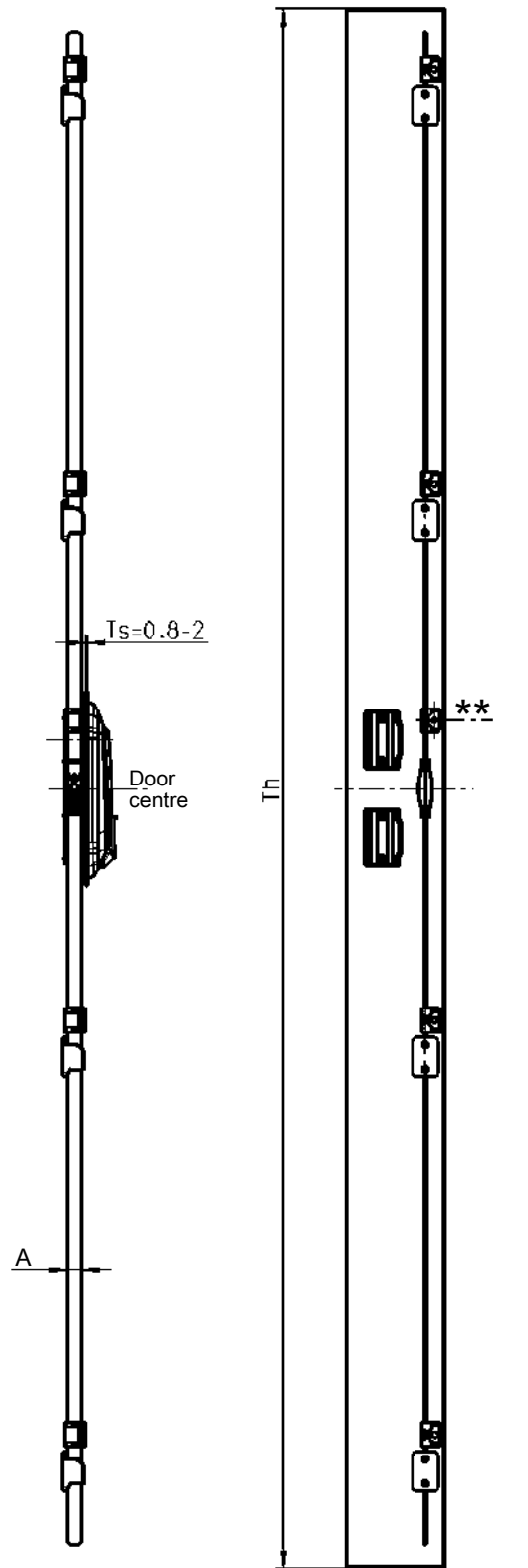
**Further parts see page**  
 - Catch 3ZA-1220  
 - Rod guide 3ZC-120 to 3ZC-170  
**Program 2400**  
 - Escutcheon 3K-220

# Rods for small bending area

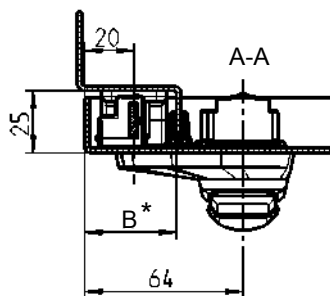
## PROGRAM 1325



depicted without door



Door depicted from inside



\* The values in the table for dimension B with seal refer to the seal 1011-10. With other seals, the values for dimension B differ.

| Dimension A                 | Flat rod 14x3 |           |
|-----------------------------|---------------|-----------|
| Locking type<br>(see right) | Dimension B   |           |
|                             | without seal  | with seal |
| 1                           | 30            | 33        |
| 2                           | 30            | 33        |
| 3                           | 34            | 37        |

### Locking types



1

Rod with cut out



2

Rod with single roller



3

Rod with double roller



| Locking type | Article                        | Catalogue page     | Part no.               |
|--------------|--------------------------------|--------------------|------------------------|
| 1            | Catch                          | 3ZA-1220           | 1121-U76               |
|              | Rod guide                      | 3ZC-120<br>3ZC-140 | 1121-89-11<br>1121-106 |
|              | Rod with notch                 | see below          |                        |
|              | Hinge                          | ① see below right  |                        |
| 2            | Catch                          | -                  | 2600-12                |
|              | Rod guide                      | 3ZC-120<br>3ZC-140 | 1121-89-11<br>1121-106 |
|              | Rod control with single roller | see below          |                        |
|              | Hinge                          | ① see below right  |                        |
| 3            | Catch                          | 3ZA-1220           | 1121-18-02             |
|              | Rod guide                      | 3ZC-120<br>3ZC-140 | 1121-89-11<br>1121-106 |
|              | Rod control with double roller | see below          |                        |
|              | Hinge                          | ① see below right  |                        |

### Rod 14x3 m.s. zinc-plated

| Door height | Locking points (door centre) |        |        | Part no.      |              |
|-------------|------------------------------|--------|--------|---------------|--------------|
|             | Th                           | Dim. C | Dim. D |               |              |
| 800-1200    | -                            | -      | 300    | 1 (upper rod) | 1325-15-01JB |
|             |                              |        |        | 1 (lower rod) | 1325-14-01JB |
|             |                              |        |        | 2             | on request   |
|             |                              |        |        | 3             | on request   |
| 1200-1600   | -                            | -      | 450    | 1 (upper rod) | 1325-15-03JB |
|             |                              |        |        | 1 (lower rod) | 1325-14-03JB |
|             |                              |        |        | 2             | on request   |
|             |                              |        |        | 3             | on request   |
| 1600-1900   | 275                          | -      | 700    | 1 (upper rod) | 1325-15-05JB |
|             |                              |        |        | 1 (lower rod) | 1325-14-05JB |
|             |                              |        |        | 2             | on request   |
|             |                              |        |        | 3             | on request   |
| 1900-2200   | 275                          | -      | 850    | 1 (upper rod) | 1325-15-07JB |
|             |                              |        |        | 1 (lower rod) | 1325-14-07JB |
|             |                              |        |        | 2             | on request   |
|             |                              |        |        | 3             | on request   |

① Fixing of hinge with countersunk screws

\*\* Note:  
Additional rod guides necessary for door height up to 1600 mm

Further parts see page

**Hinge suitable for locking types 1, 2 and 3**

- 125° Hinge 4A-136
- 180° Hinge (bottom) 4A-140
- 180° Hinge 4A-145

**Also suitable for locking type 3**

- 180° Hinge (26 mm door return) 4A-170
- 180° Hinge (26 mm door return) 4A-210

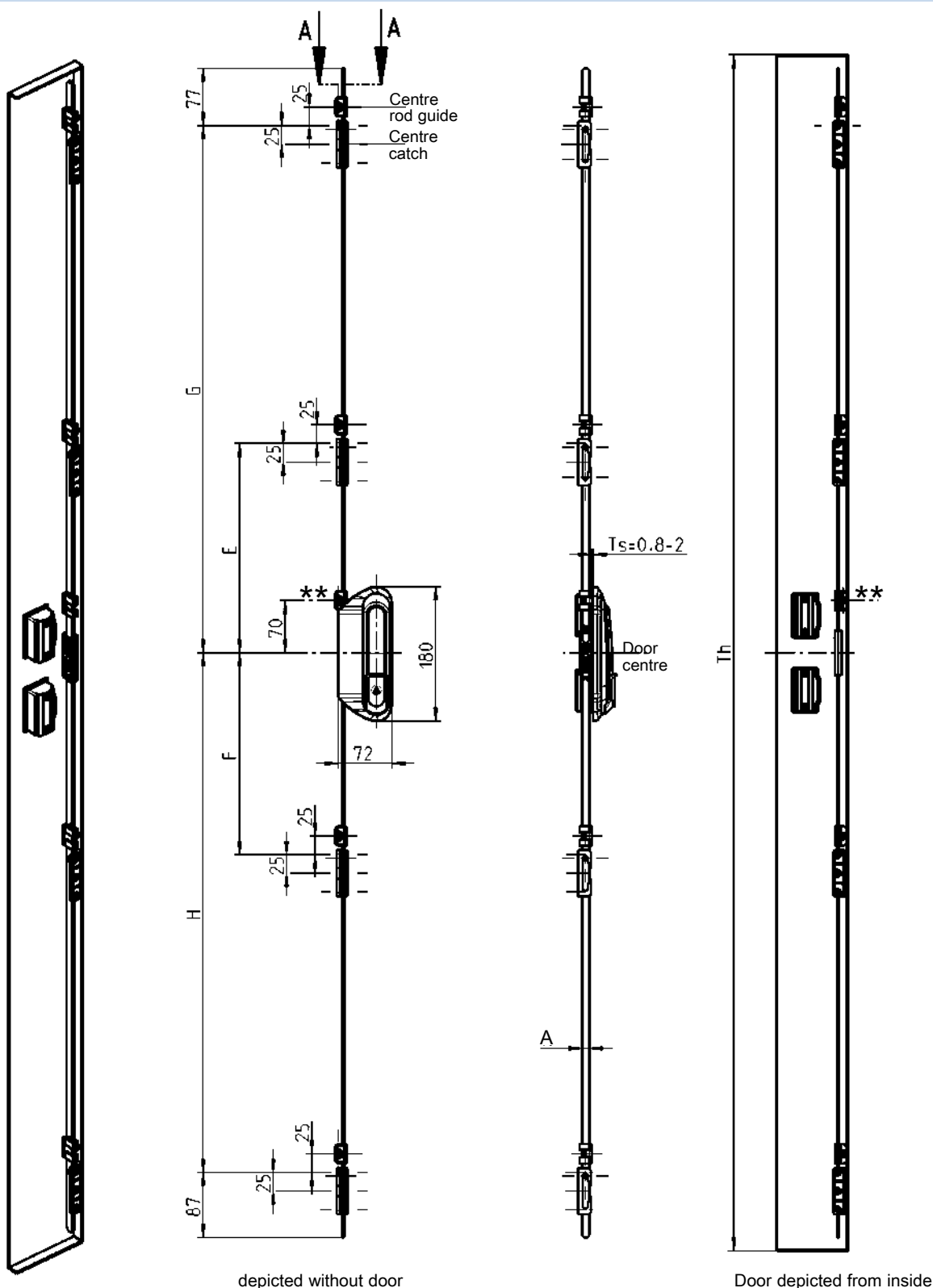
**Program 1325**

- Swinghandle for small bending area 3BA-320

# Rod controls for small bending area

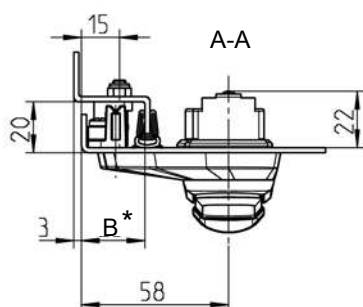
## 20x22 without seal and 20x25 with seal

PROGRAM 1325



depicted without door

Door depicted from inside



\* The values in the table for dimension B with seal refer to the seal 1011-10. With other seals, the values for dimension B differ.

|                          |               |           |
|--------------------------|---------------|-----------|
| Dimension A              | Flat rod 10x3 |           |
| Locking type (see right) | Dimension B   |           |
|                          | without seal  | with seal |
|                          | 22            | 25        |



Locking type  
and rod control

130° Concealed hinge

180° Prominent hinge



| Article              | Material  | Part no.   |
|----------------------|---|------------|
| Swinghandle          | see catalogue page 3BA-320  | 1325-U202  |
| Catch                | Zinc die black powder-coated for countersunk screw M5   | 1121-149   |
| Rod guide            | Polyamide black for weld studs Ø 6x8-M4 and oval head screw DIN 7045 M4x6   | 1121-148   |
| Rod                  | see below   |            |
| 130° Concealed hinge | Frame part m.s. zinc-plated with pressed-in grub screws M5x12; hinge roll m.s. raw for welding on; pin m.s. zinc-plated | on request |
| 180° Prominent hinge | Zinc die black powder-coated; fixing pin polyamide GF black; hinge pin stainless steel and washer brass                 | on request |

**Rod 10x3 m.s. zinc-plated**

| Door height<br>Th | Locking points<br>(door centre) |        |        |        | Part no.     |
|-------------------|---------------------------------|--------|--------|--------|--------------|
|                   | Dim. E                          | Dim. F | Dim. G | Dim. H |              |
| 800-1200          | –                               | –      | 305    | 295    | 1325-U220-01 |
| 1200-1600         | –                               | –      | 455    | 445    | 1325-U220-03 |
| 1600-1900         | 280                             | 270    | 705    | 695    | 1325-U220-05 |
| 1900-2200         | 280                             | 270    | 855    | 845    | 1325-U220-07 |

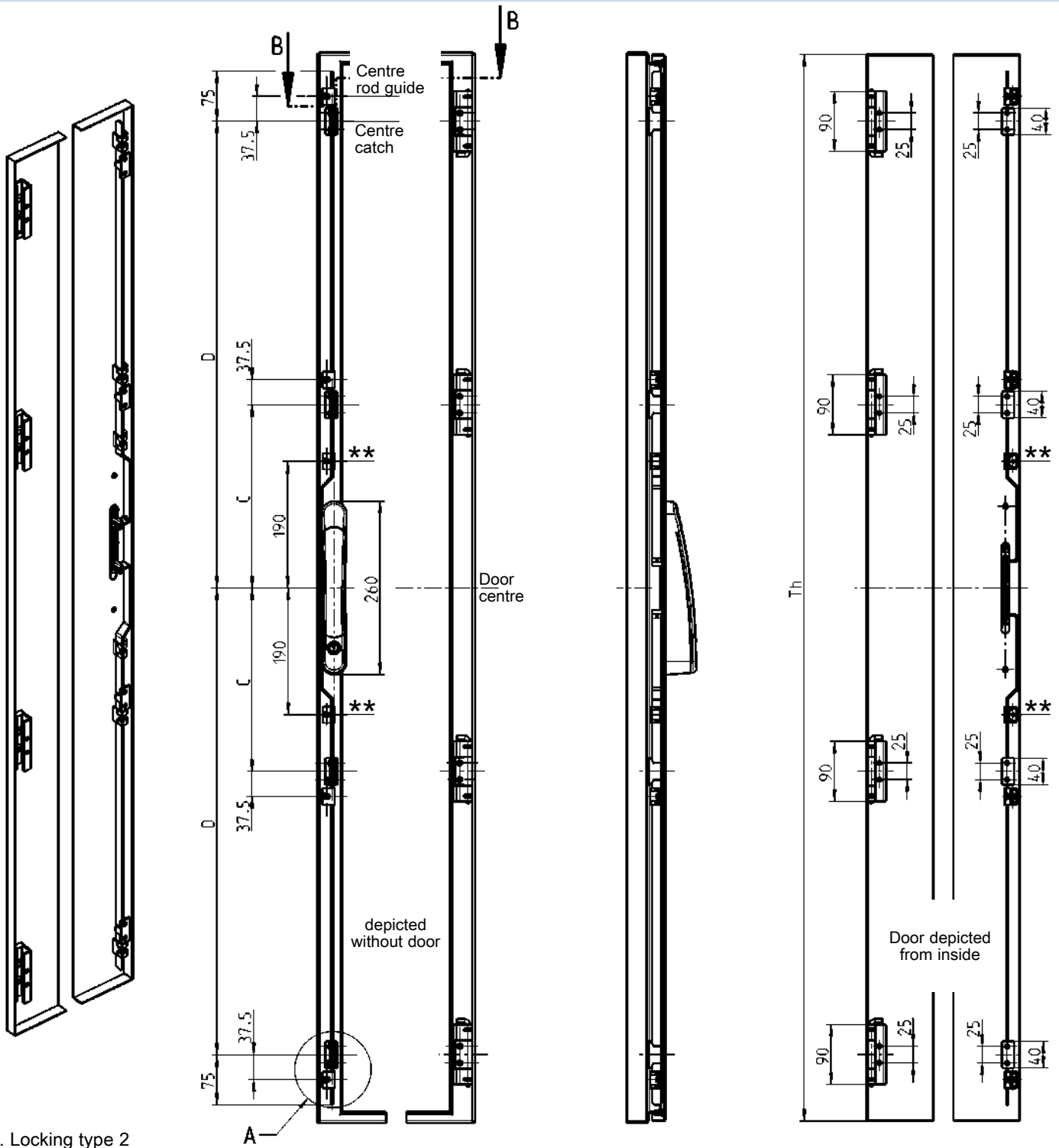
\*\* Note:  
Additional rod guides  
necessary for door height  
up to 1600 mm

Further parts see page

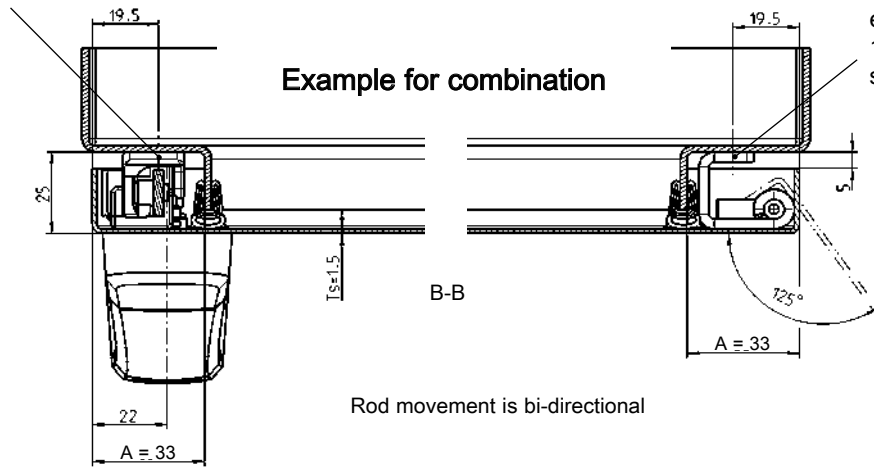
**Program 1325**  
– Swinghandle for  
small bending area 3BA-320

# Rods for small bending area

## PROGRAM 1390

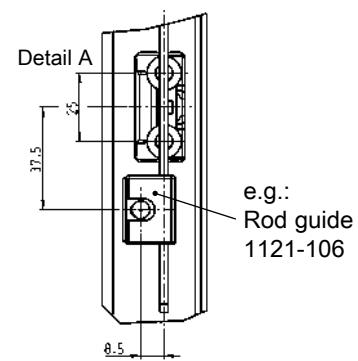


e.g. Locking type 2



Example for combination

e.g.:  
120° Hinge 1031-U12  
see catalogue page 4A-136



e.g.:  
Rod guide  
1121-106

### Locking types



1

Rod with cut out



2

Rod with single roller



3

Rod with double roller



1 Quarter turns

2 Rod controls

3 Locking systems

4 Hinges

5 Seals

6 Handles

7 Aluminium windows

8 Miscellaneous

9 Special catalogues

Index

| Locking type | Dim. A | Article                        | Catalogue page     | Part no.               |
|--------------|--------|--------------------------------|--------------------|------------------------|
| 1            | 33     | Catch                          | * 3ZA-1220         | 1121-U76               |
|              |        | Rod guide                      | 3ZC-120<br>3ZC-140 | 1121-89-11<br>1121-106 |
|              |        | Rod with notch                 | see below          |                        |
|              |        | Hinge                          | * see below right  |                        |
| 2            | 33     | Catch                          | * -                | 2600-12                |
|              |        | Rod guide                      | 3ZC-120<br>3ZC-140 | 1121-89-11<br>1121-106 |
|              |        | Rod control with single roller | see below          |                        |
|              |        | Hinge                          | * see below right  |                        |
| 3            | 37     | Catch                          | * 3ZA-1220         | 1121-18-02             |
|              |        | Rod guide                      | 3ZC-120<br>3ZC-140 | 1121-89-11<br>1121-106 |
|              |        | Rod control with double roller | see below          |                        |
|              |        | Hinge                          | * see below right  |                        |



\* Fixing with countersunk screws acc. to DIN ISO 2009, 2010, 7046-1, 7046-2, 7047

\*\* Note: Additional rod guides necessary for door height up to 1600 mm

Further parts see page

**Hinge suitable for locking types 1, 2 and 3**

- 125° Hinge 4A-136
- 180° Hinge (bottom) 4A-140
- 180° Hinge 4A-145
- 180° Hinge (bottom) 4A-170
- 180° Hinge (26 mm door return) 4A-210
- 180° Hinge 4A-215

**Program 1390**

- Escutcheon for small bending area 3FA-120
- Lifthandle for small bending area 3FA-140

| Door height  | Locking points (door centre) |        | Rod          |              |              |
|--------------|------------------------------|--------|--------------|--------------|--------------|
|              |                              |        | Locking type | Part no.     |              |
|              | Th                           | Dim. C |              | Dim. D       | Upper rod    |
| ** 800-1200  | -                            | 300    | 1            | 1390-11-01JB | 1390-12-01JB |
|              |                              |        | 2            | 1390-U10-01  |              |
|              |                              |        | 3            | 1390-U11-01  |              |
| ** 1200-1600 | -                            | 450    | 1            | 1390-11-03JB | 1390-12-03JB |
|              |                              |        | 2            | 1390-U10-03  |              |
|              |                              |        | 3            | 1390-U11-03  |              |
| 1600-1900    | 275                          | 700    | 1            | 1390-11-05JB | 1390-12-05JB |
|              |                              |        | 2            | 1390-U10-05  |              |
|              |                              |        | 3            | 1390-U11-05  |              |
| 1900-2200    | 275                          | 850    | 1            | 1390-11-07JB | 1390-12-07JB |
|              |                              |        | 2            | 1390-U10-07  |              |
|              |                              |        | 3            | 1390-U11-07  |              |

Info

1 Quarter turns



2 Rod controls



3 Locking systems

4 Hinges

5 Seals



6 Handles

7 Aluminium windows

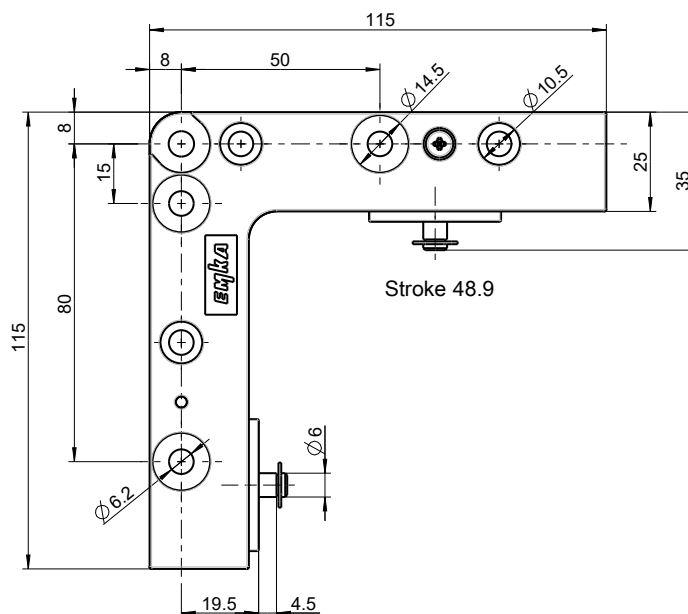
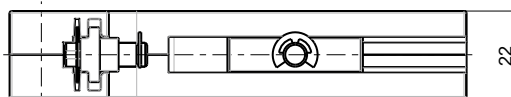
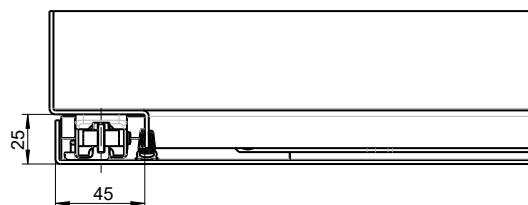
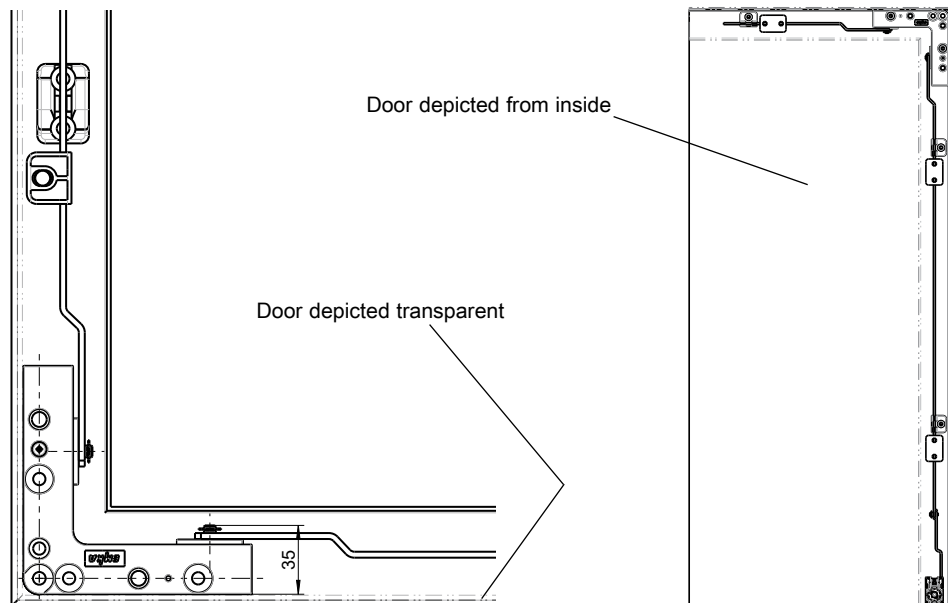
8 Miscellaneous

9 Special catalogues

Rods suitable for Program  
1125, 1150, 1160, 1180, 1190,  
1225, 1325, 2100, 2225,  
2400 and 3000  
individually on request

Further parts see page  
– Rod without  
corner guide

3ZA-120



Corner guide polyamide GF black, connector zinc die raw,  
circlip and screw m.s. zinc-plated, with spring hinge

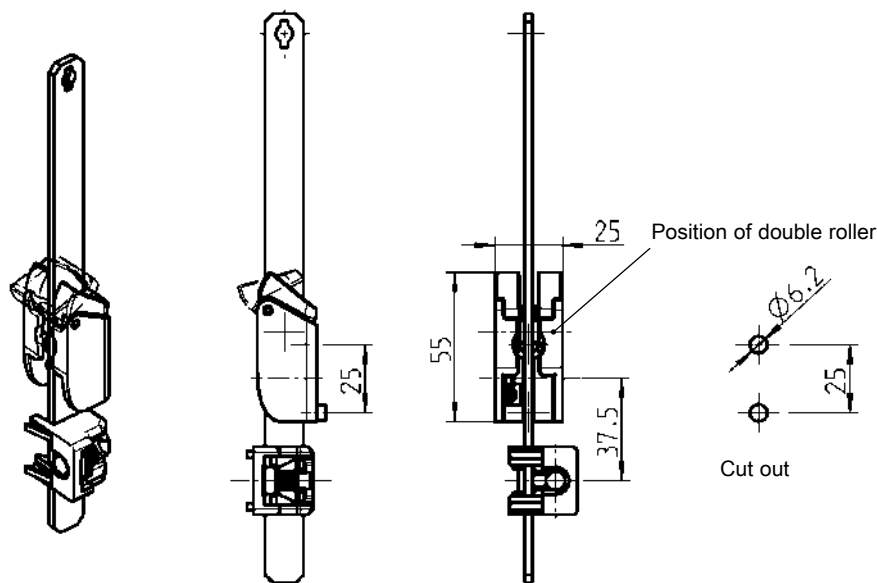
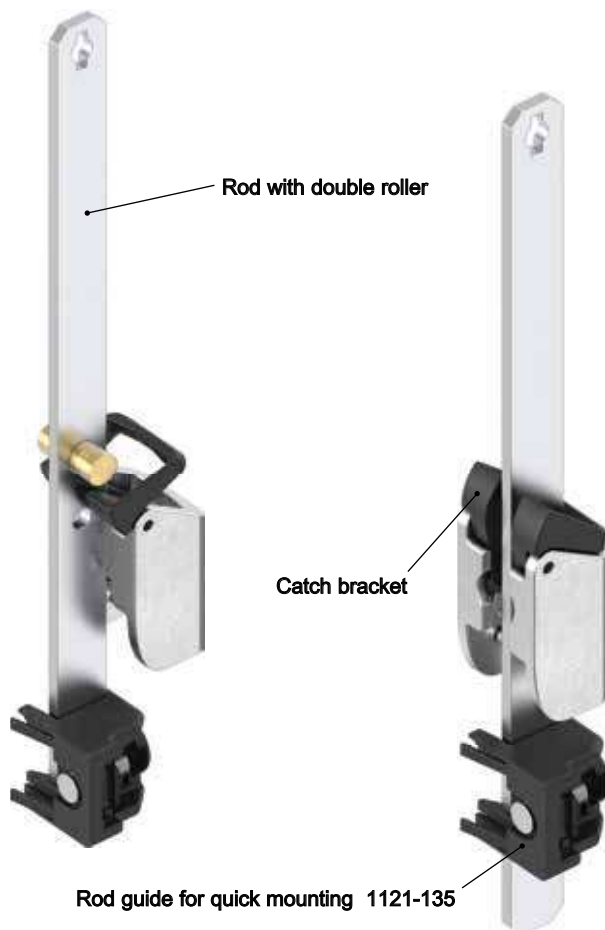
for weld stud M6x20 or blind rivet

1121-U206

# Rod with double roller for catch with bracket and extended catch area

PROGRAM 1125 - 3000

- Product benefits**
- Bracket increases the catch area from 8.5 mm to 13 mm
  - Ensures that the double roller is hooked in the catch before the seal is compressed
  - Fixing with only one screw instead of two
  - Exchangeable with the previous catch 1121-18-02
  - Rod control remains in former position
  - High closing comfort
  - Patented



**Note:**  
For dimensions see table on catalogue page 3ZA-120

**Further parts see page**  
– Rod guide 3ZC-120 to 3ZC-170

**Program 1160**  
– Swinghandle and escutcheon 3D-120, 3D-140

**Program 1180**  
– Swinghandle and escutcheon 3E-120, 3E-140  
– Rod control 3YA-480

**Program 1190**  
– Swinghandle 3F-120  
– Escutcheon 3F-220

**Program 1125, 1150, 1225, 1325, 3000**  
– Rod control 3YA-110, 3YA-120

**Program 1150**  
– Rod control 3YA-420, 3YA-440

**Program 2100**  
– Rod control 3YA-520

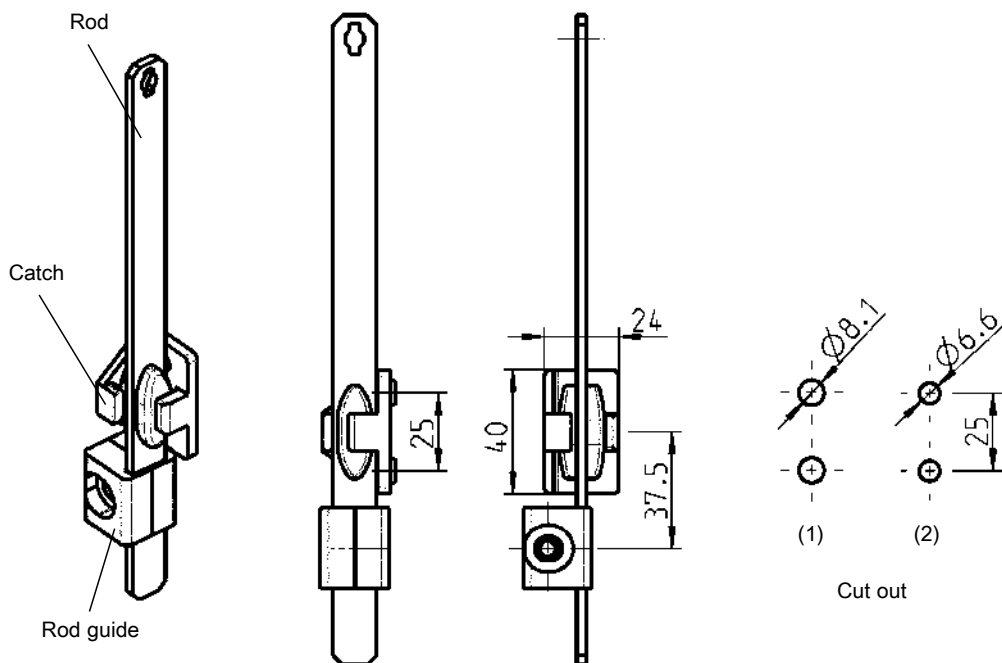
| Door height<br>Th | Rods   |        | Locking points<br>(door centre) |        | Rod control<br>m.s. zinc-plated;<br>double roller brass |
|-------------------|--------|--------|---------------------------------|--------|---|
|                   | Dim. X | Dim. Y | Dim. C                          | Dim. D |   |
| 800-1200          | –      | 126.5  | –                               | 300    | 1121-U155-01  |
| 1200-1600         | –      | 276.5  | –                               | 450    | 1121-U158-01  |
| 1600-1900         | 101.5  | 526.5  | 275                             | 700    | 1121-U161-01  |
| 1900-2200         | 101.5  | 676.5  | 275                             | 850    | 1121-U164-01  |

Catch zinc die zinc-plated for rod with double roller;  
catch bracket polyamide GF black; with spring

1121-U194

# Catch

PROGRAM 1125, 1150, 1160, 1180, 1225, 1325, 2100, 2400, 3000



Catch interchangeable with 120° hinge, catalogue page 4A-190, or 180° hinge, catalogue page 4A-210

### Catch zinc die black powder-coated for rod with locking slider

with female thread M6

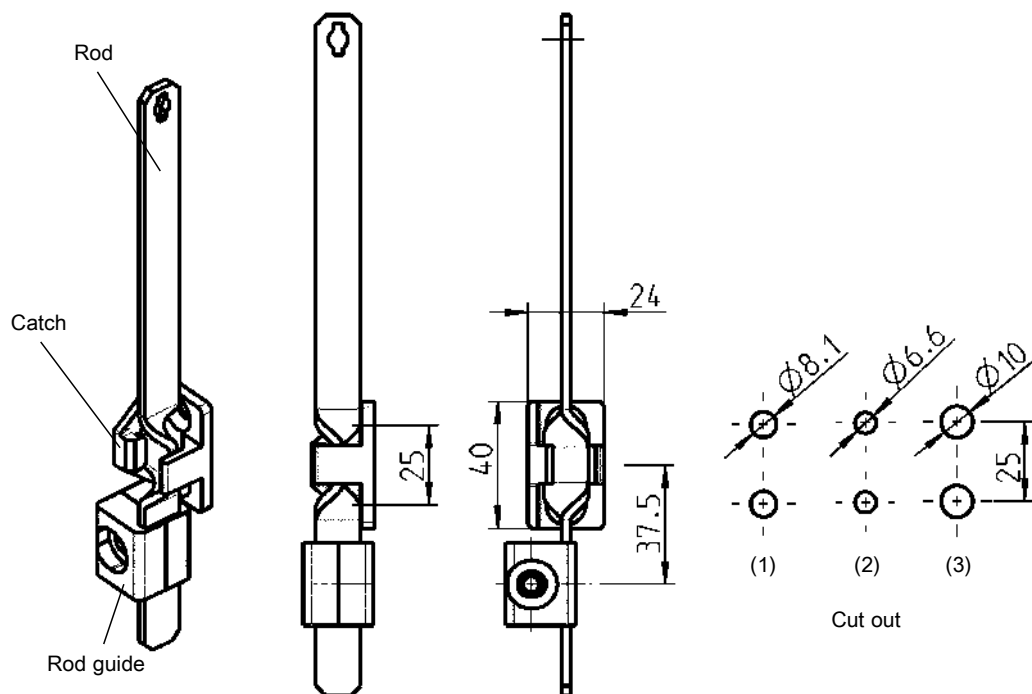
(1)

1121-54-P

for countersunk screw M6 (2D nut applicable)

(2)

1121-53-P



Catch interchangeable with 120° hinge, catalogue page 4A-190, or 180° hinge, catalogue page 4A-210

### Catch zinc die black powder-coated for twisted rod

with female thread M6

(1)

1121-70-01

for countersunk screw M6 (2D nut applicable)

(2)

1121-70

with clamping pin, polyamide GF black, Ts = 2.0

(3)

1121-U137

with male thread M10, nut m.s. zinc-plated

(3)

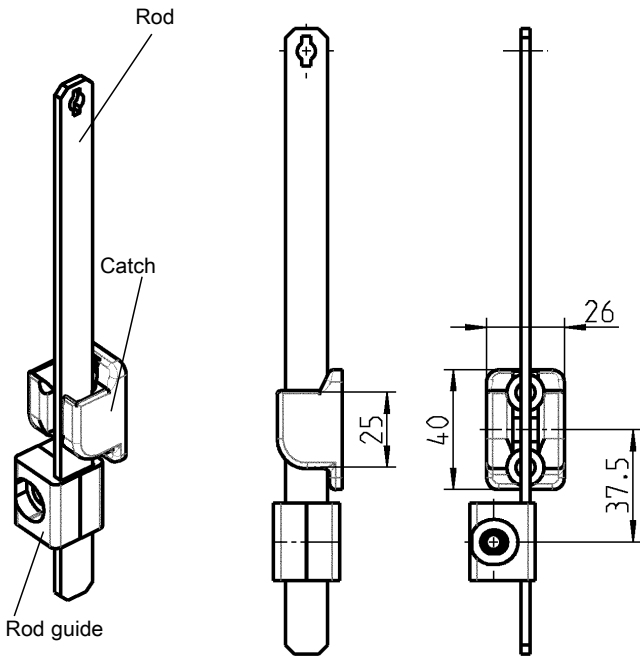
1121-U152

### Catch polyamide 66 GF 50 black for twisted rod

for countersunk screw M6 (2D nut applicable)

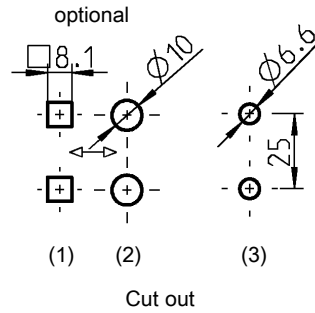
(2)

1121-70-04SK



**AISI INOX**

4 various fixing possibilities

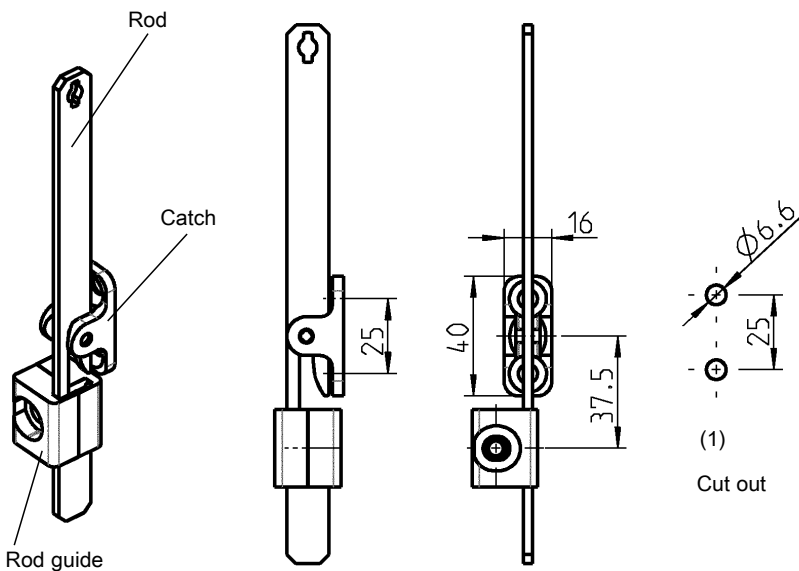


**Catch zinc die black powder-coated for rod with double roller**

|  |         |            |
|--|---------|------------|
| with female thread M6                        | (1) (2) | 1121-18-01 |
| for countersunk screw M6 (2D nut applicable) | (3)     | 1121-18-02 |

**Catch AISI 316 for rod with double roller**

|  |     |              |
|--|-----|--------------|
| for countersunk screw M6 (2D nut applicable) | (3) | 1121-18-02PH |
|--|-----|--------------|



Catch interchangeable with 120° hinge, catalogue page 4A-190, or 180° hinge, catalogue page 4A-210

**Catch zinc die black powder-coated for rod with notch**

|  |     |          |
|--|-----|----------|
| for countersunk screw M6 (2D nut applicable) | (1) | 1121-U76 |
|--|-----|----------|

Small head = DIN ISO 2009, 2010, 7046-1, 7046-2, 7047

Further parts see page  
– 2D Nut 8E-120

Program 1125, 1150, 1160, 1180, 1190, 1225, 1325, 2100, 3000  
– Rods 3ZA-120

Program 1160  
– Lock rods 3ZA-420

Program 1180  
– Lock rods 3ZA-520

Program 1190  
– Rods 3ZA-560

Program 2400  
– Rods 3ZA-820

Info

1 Quarter turns



2 Rod controls

3 Locking systems



4 Hinges

5 Seals



6 Handles

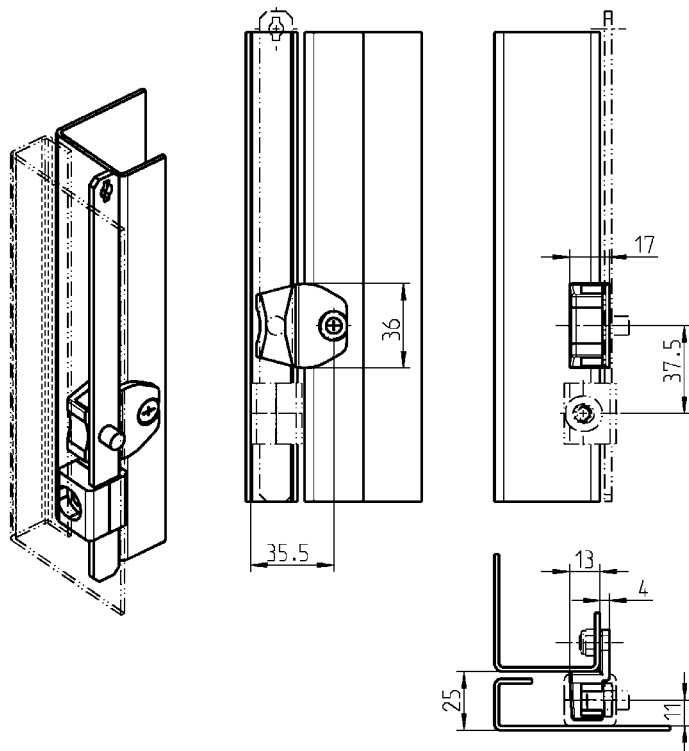
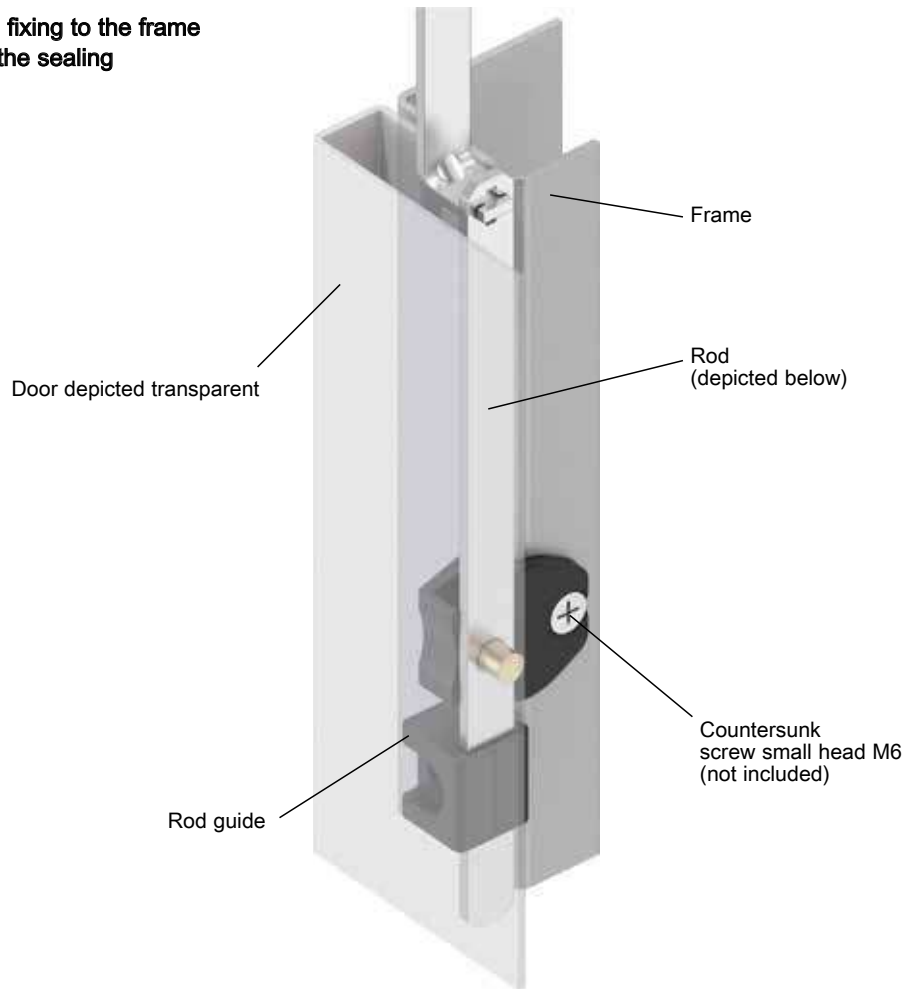
7 Aluminium windows

8 Miscellaneous

9 Special catalogues

Index

Lateral fixing to the frame inside the sealing



Small head = DIN ISO 2009, 2010, 7046-1, 7046-2, 7047

Further parts see page

Program 1125, 1150, 1160, 1180, 1190, 1225, 1325, 2100, 3000  
 – Rods 3ZA-260

Catch zinc die black powder-coated

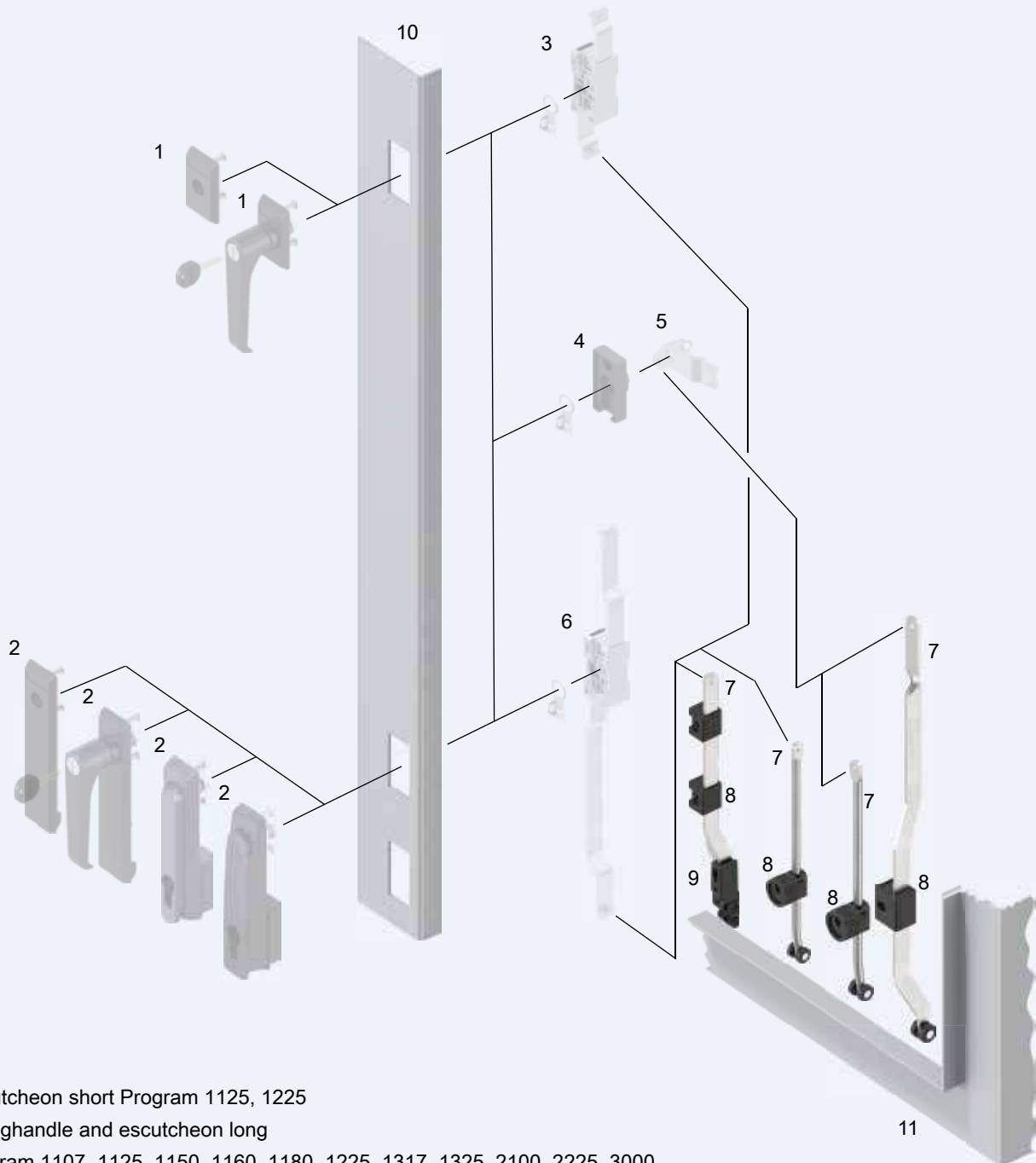
1121-108-AA

**3ZA-1240** 01/14  
 (3ZA-630)



# Rod inside the sealing

Program 1107, 1125, 1150, 1160, 1180,  
1225, 1317, 1325, 2100, 2225, 3000



- 1 Escutcheon short Program 1125, 1225
- 2 Swinghandle and escutcheon long  
Program 1107, 1125, 1150, 1160, 1180, 1225, 1317, 1325, 2100, 2225, 3000
- 3 Rod control
- 4 Bearing bush
- 5 Cam
- 6 Rod control
- 7 Rod (inside the sealing)
- 8 Rod guide
- 9 Guiding shoe
- 10 Door
- 11 Housing / Frame



**3ZB-100**

## Rods

PROGRAM 1107, 1125, 1150, 1180, 1225, 1317, 1325, 2100, 2225, 3000

**Application:**  
Program 1125, 1150,  
1225, 1325, 3000

- Rod control  
3YA-140  
(Version B) 3YA-160  
3YA-180  
3YA-240

**Program 1107, 1125, 1180,  
1225, 1317, 1325, 2100, 3000**

- Cam  
3YB-420  
3YB-440  
3YC-120

**Application:**  
Program 1125, 1150,  
1225, 1325, 3000

- Rod control  
3YA-140  
(Version B) 3YA-160  
3YA-180  
3YA-240

**Program 1107, 1125, 1180,  
1225, 1317, 1325, 2100, 3000**

- Cam  
3YB-420  
3YB-440  
3YC-120

**Application:**  
Program 1125, 1150,  
1225, 1325, 3000

- Rod control  
3YA-140  
(Version B) 3YA-160  
3YA-180  
3YA-240

**Program 1107, 1125, 1180,  
1225, 1317, 1325, 2100, 3000**

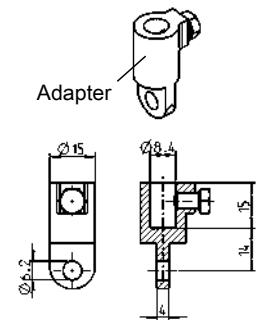
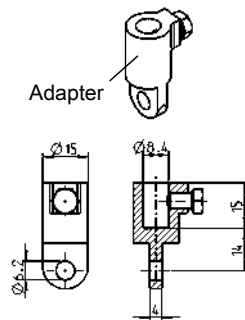
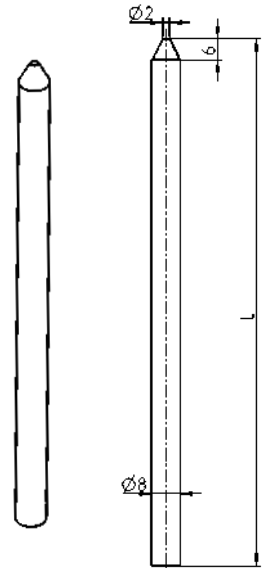
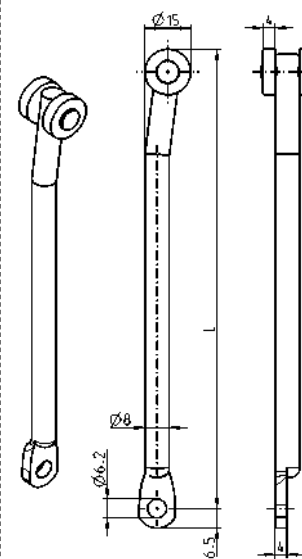
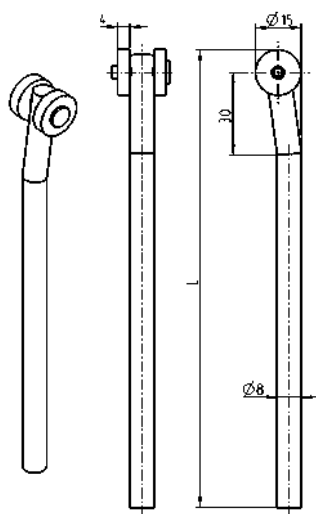
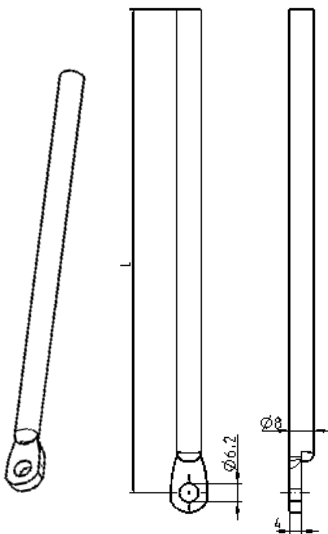
- Cam  
3YB-420  
3YB-440  
3YC-120

**Application:**  
Program 1125, 1150,  
1225, 1325, 3000

- Rod control  
3YA-140  
(Version B) 3YA-160  
3YA-180  
3YA-240

**Program 1107, 1125, 1180,  
1225, 1317, 1325, 2100, 3000**

- Cam  
3YB-420  
3YB-440  
3YC-120



Round rod m.s. zinc-plated  
or AISI 304 with roller  
polyamide black

| L in mm | m.s.<br>zinc-plated             | AISI 304  |
|---------|---------------------------------|-----------|
| 600     | 1049-U3                         | 1049-U12  |
| 700     | 1049-U4                         | 1049-U13  |
| 800     | 1049-U5                         | 1049-U14  |
| 900     | 1049-U6                         | 1049-U15  |
| 1000    | 1049-U7                         | 1049-U16  |
| 1100    | 1049-U8                         | 1049-U17  |
| 1200    | 1049-U9                         | -         |
| Adapter | zinc die<br>m.s.<br>zinc-plated | AISI 303  |
|         | 1000-U49                        | 1000-U141 |

Round rod with eye  
material of choice, rollers  
polyamide black  
m.s. zinc-plated  
for rod control

1121-U30-L mm  
(1121-U30-01 to -08  
see price list)

**m.s. zinc-plated for cam  
(eye turned by 90°)**

1000-U144-L mm  
(1000-U144-01 to -17  
see price list)

**AISI 304 for cam  
(eye turned by 90°)**

1000-U538-L mm  
(1000-U538-01 to -09  
see price list)

**Round rod with pointed end,  
m.s. zinc-plated**

1049-19-L mm

(1049-19-01 to -17  
see price list)

**Adapter zinc die m.s. zinc-plated**

1000-U49



**Minimum order quantity: 200 pieces**  
Smaller quantities on request!

**L ≤ 1200**

Order example: Order no. for a round rod with rollers and a length of 1034 mm = 1049-18-L 1034

**Application:**  
Program 1125, 1150,  
1225, 1325, 3000

- Rod control 3YA-140  
(Version B) 3YA-160  
3YA-180  
3YA-240

**Program 1107, 1125, 1180,  
1225, 1317, 1325, 2100, 3000**

- Cam 3YB-420  
3YB-440  
3YC-120

**Application:**  
Program 1125, 1150,  
1225, 1325, 3000

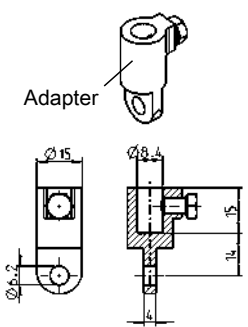
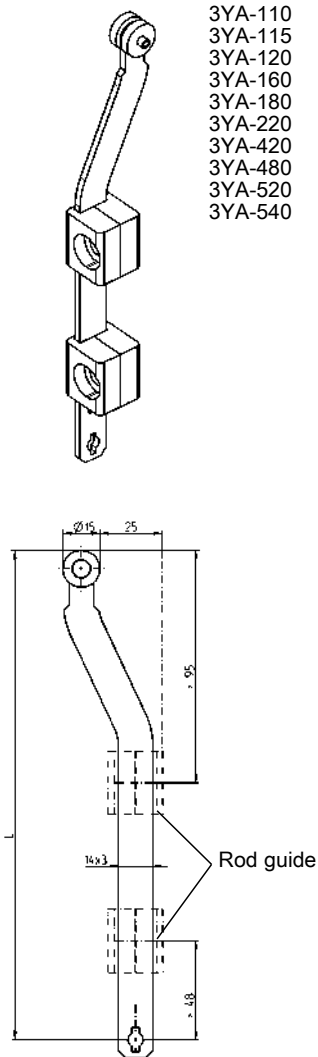
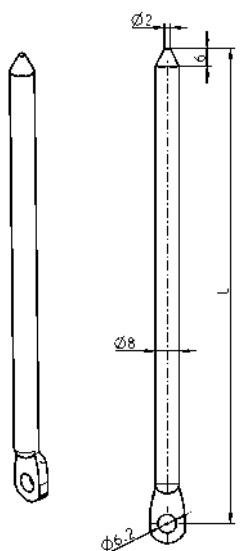
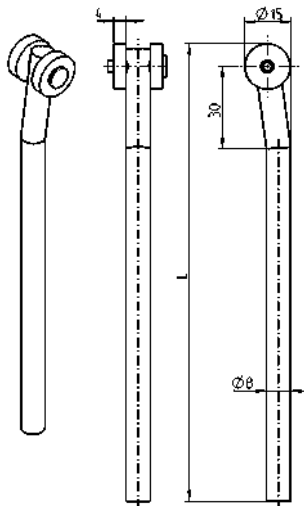
- Rod control 3YA-140  
(Version B) 3YA-160  
3YA-180  
3YA-240

**Program 1107, 1125, 1180,  
1225, 1317, 1325, 2100, 3000**

- Cam 3YB-420  
3YB-440  
3YC-120

**Application:**  
Program 1125, 1150, 1160,  
1180, 1225, 1325, 2100, 2225,  
3000

- Rod control 3D-120  
3D-140  
3E-120  
3E-140  
3YA-110  
3YA-115  
3YA-120  
3YA-160  
3YA-180  
3YA-220  
3YA-420  
3YA-480  
3YA-520  
3YA-540



**Round rod m.s. zinc-plated,  
rollers polyamide black**

1049-U18-L mm  
(1049-U18-01 to -17  
see price list)

**Adapter zinc die  
m.s. zinc-plated**

1000-U49

**Round rod with eye  
and with pointed end  
m.s. zinc-plated**

1000-211-L mm  
(1000-211-01 to -17  
see price list)

**Flat rod m.s. zinc-plate,  
rollers polyamide black**

1121-U28-L mm  
(1121-U28-01 to -08  
see price list)

**Flat rod without bore hole  
L = 1007.5**

1121-U148



**Further parts see page**

Rod guide for flat rods 3ZC-120 to 3ZC-170  
for round rods 3ZC-210 3ZC-220

Info

1 Quarter turns

2 Rod controls

3 Locking systems

4 Hinges

5 Seals

6 Handles

7 Aluminium windows

8 Miscellaneous

9 Special catalogues

Index



Minimum order quantity: 200 pieces  
Smaller quantities on request!

L ≤ 1200

Order sample:

Part no. of connecting rod m.s. zinc-plated for shoe  
with length of 1034 mm = 1000-XXX-L 1034

Calculation of rod length L

$$L = \frac{X - Z}{2} + Y$$

Application:

Program 1107, 1125, 1150, 1180, 1225, 1317, 1325, 2100, 3000

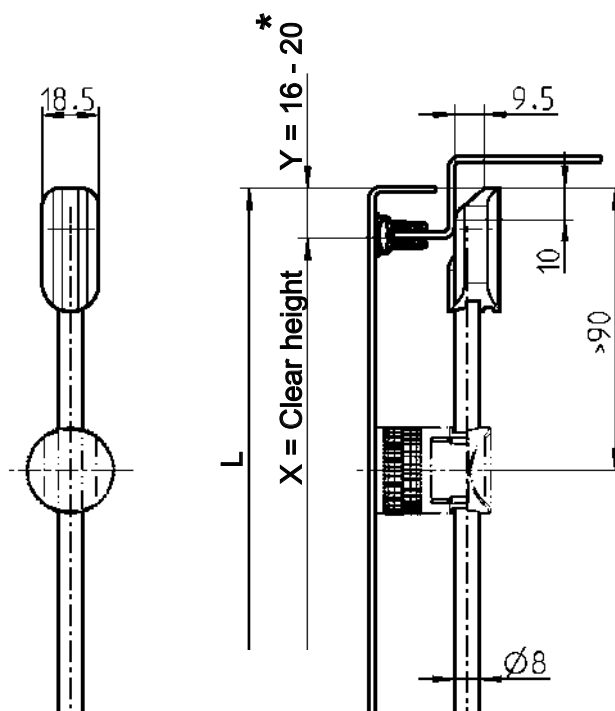
- Rod control

3YA-140; 3YA-160; 3YA-180; 3YA-240

- Cams

3YB-420; 3YB-440; 3YB-460; 3YC-120; 3YC-140; 3YC-180

\* Dimension Y depending on seal version



Z = Rod control length (e.g. dimension 400 on page 3YA-140)  
Z = Cam gauge for rod holder (e.g. dimension 18 for 1107 or  
dimension 26 for 1000 on page 3YC-120)

Please indicate dimension L in the order

Further parts see page  
- Rod guide

3ZC-210  
3ZC-220

Round rod connection to rod control or cam and material of choice

|                         |                  |             |
|-------------------------|------------------|-------------|
|                         | m.s. zinc-plated | AISI 304    |
|                         | on request       | on request  |
| Shoe polyamide GF black |                  |             |
|                         |                  | 1000-526-AA |

# Rod with shoe

## PROGRAM 1125 - 3000

Minimum order quantity: 200 pieces  
Smaller quantities on request!

L ≤ 1200

Order sample:

Part no. of connecting rod m.s. zinc-plated for shoe complete with length of 1034 mm = 1121-U187-L 1034



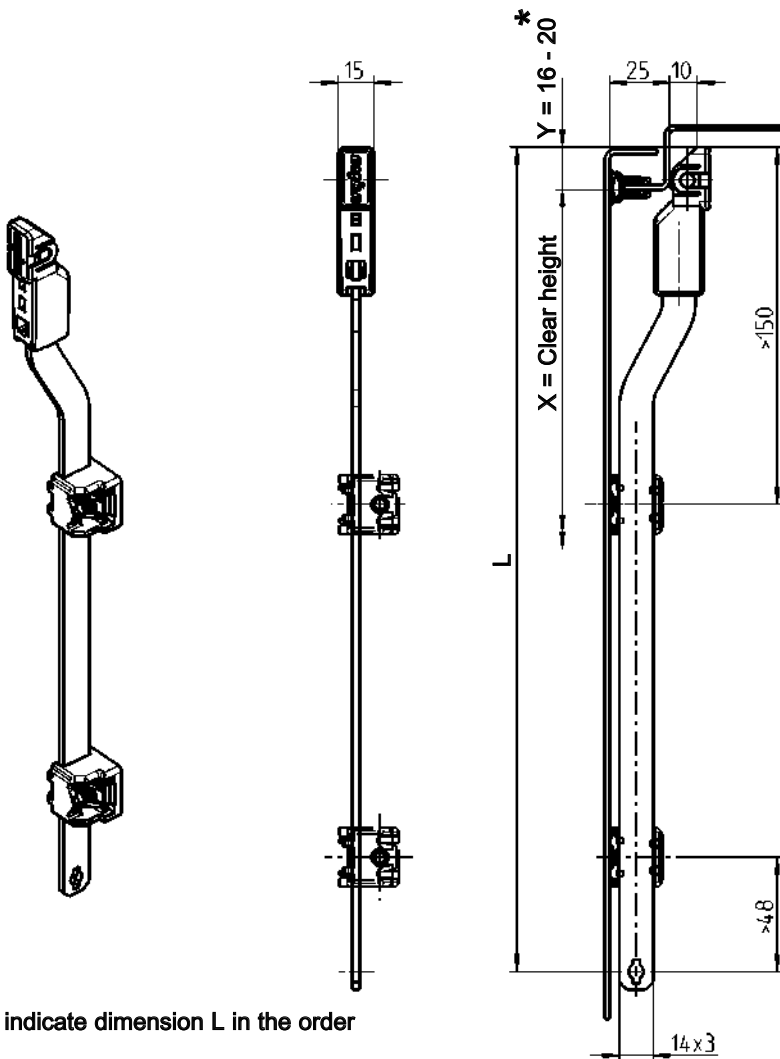
Calculation of rod length L

$$L = \frac{X-Z}{2} + Y$$

Application: Program 1125, 1150, 1160, 1180, 1225, 1325, 2100, 2225, 3000

– Rod control

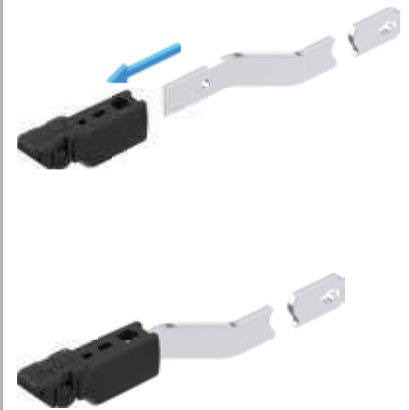
3D-120; 3D-140; 3E-140; 3J-120; 3YA-110, 3YA-115, 3YA-120; 3YA-160; 3YA-180; 3YA-220; 3YA-420; 3YA-480; 3YA-520; 3YA-540



Please indicate dimension L in the order

Z = Rod control length (e.g. dimension 347 on page 3YA-120)

\* Dimension Y depending on seal version



Rod with shoe completely mounted,  
flat rod material of choice,  
shoe polyamide GF black, roller polyamide black

m.s. zinc-plated

AISI 304

1121-U187-L mm

on request

(1121-U187-01 to -08 see price list)

Rod without bore holes with shoe ready mounted,  
flat rod without bore holes material of choice,  
shoe polyamide GF black, roller polyamide black

m.s. zinc-plated

AISI 304

L + 7.5 = 1007.5

1121-U189

on request

Further parts see page

– Rod guide

3ZC-120  
to 3ZC-170

Info

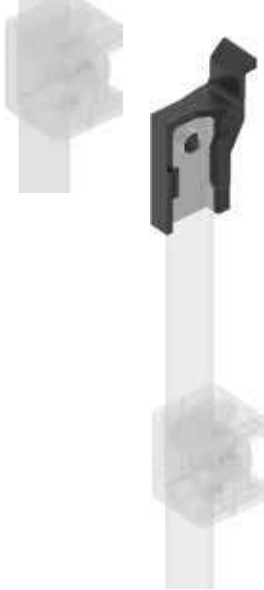
1 Quarter turns



2 Rod controls



3 Locking systems



4 Hinges

5 Seals

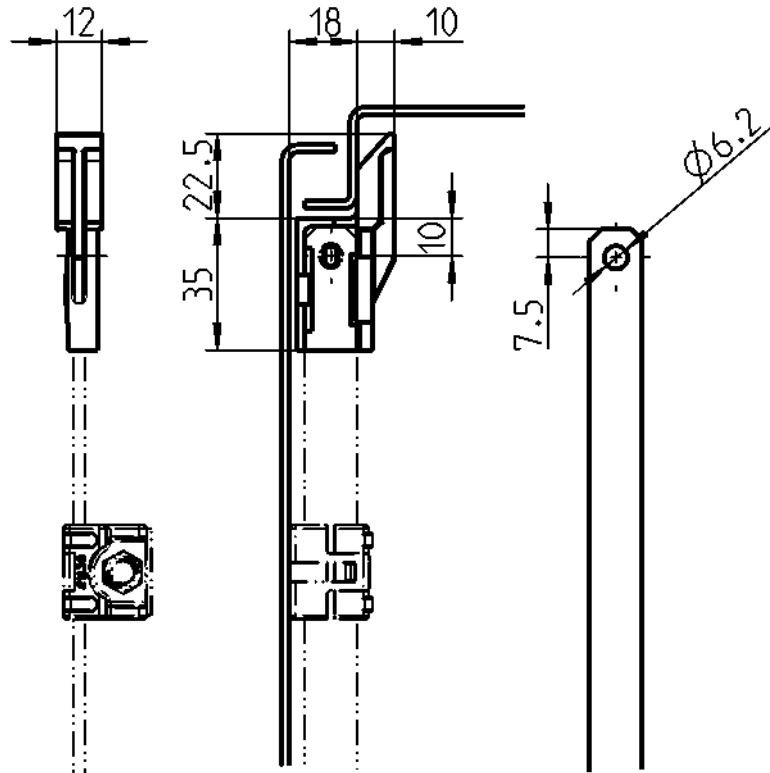
6 Handles

7 Aluminium windows

8 Miscellaneous

9 Special catalogues

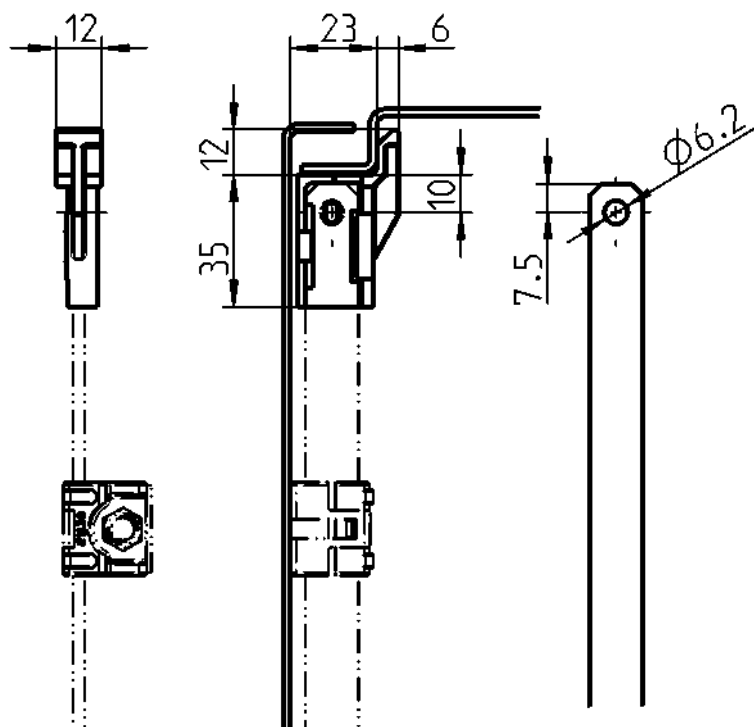
Index



Shoe polyamide GF black

Long version

1121-112



Shoe polyamide GF black

Short version

1121-113

#### Further parts see page

- Rod guide for flat rods  
3ZC-120  
to 3ZC-170

- Rod on request

#### Program 1125, 1150, 1160, 1180, 1225, 1325, 2100, 2225, 3000

- Rod control  
3D-120  
3D-140  
3E-120  
3E-140  
3YA-110  
3YA-115  
3YA-120  
3YA-160  
3YA-180  
3YA-220  
3YA-420  
3YA-480  
3YA-520  
3YA-540

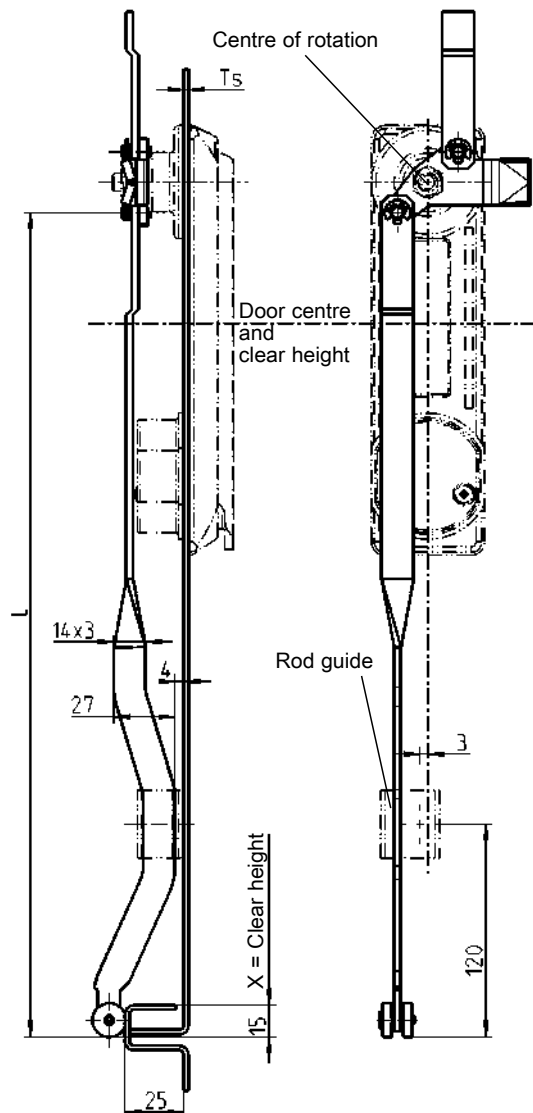
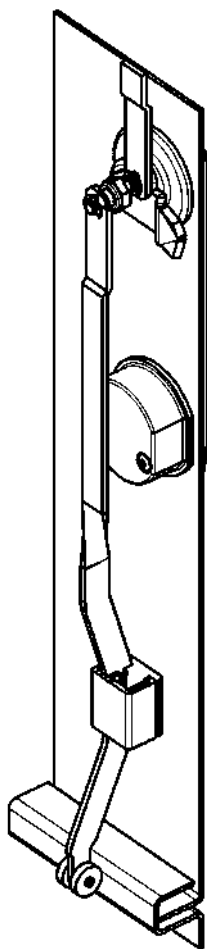
# Rod for cam, stroke 26 mm

## PROGRAM 1107, 1317

Minimum order quantity: 200 pieces  
Smaller quantities on request

### Swinghandle

| Calculation of rod length L                             |                       | Swinghandle |        |
|---|-----------------------|-------------|--------|
|   |                       | long        | short  |
| Upper rod   | $L = \frac{X}{2}$     | - 63        | - 50.5 |
| Lower rod   | $L = \frac{X}{2}$     | + 67        | + 54.5 |
| Pivot point centre door, top and bottom same rod length | $L = \frac{X}{2} + 2$ |             |        |



$T_s = 2$   
Other door thicknesses on request!

Flat rod m.s. zinc-plated, rollers polyamide black

1121-U144-L mm  
(1121-U144-01 to -08 see price list)



**Note:**  
Swinghandle with cut out  
Hole distance  
130 mm = long  
105 mm = short

**Further parts see page**  
- Rod guide 3ZC-120 to 3ZC-170

**Program 1107, 1317**  
- Cam with stroke 26 3YC-120

### Rod for cam with stroke 26 mm PROGRAM 1125, 1225, 1325, 3000

Minimum order quantity: 200 pieces

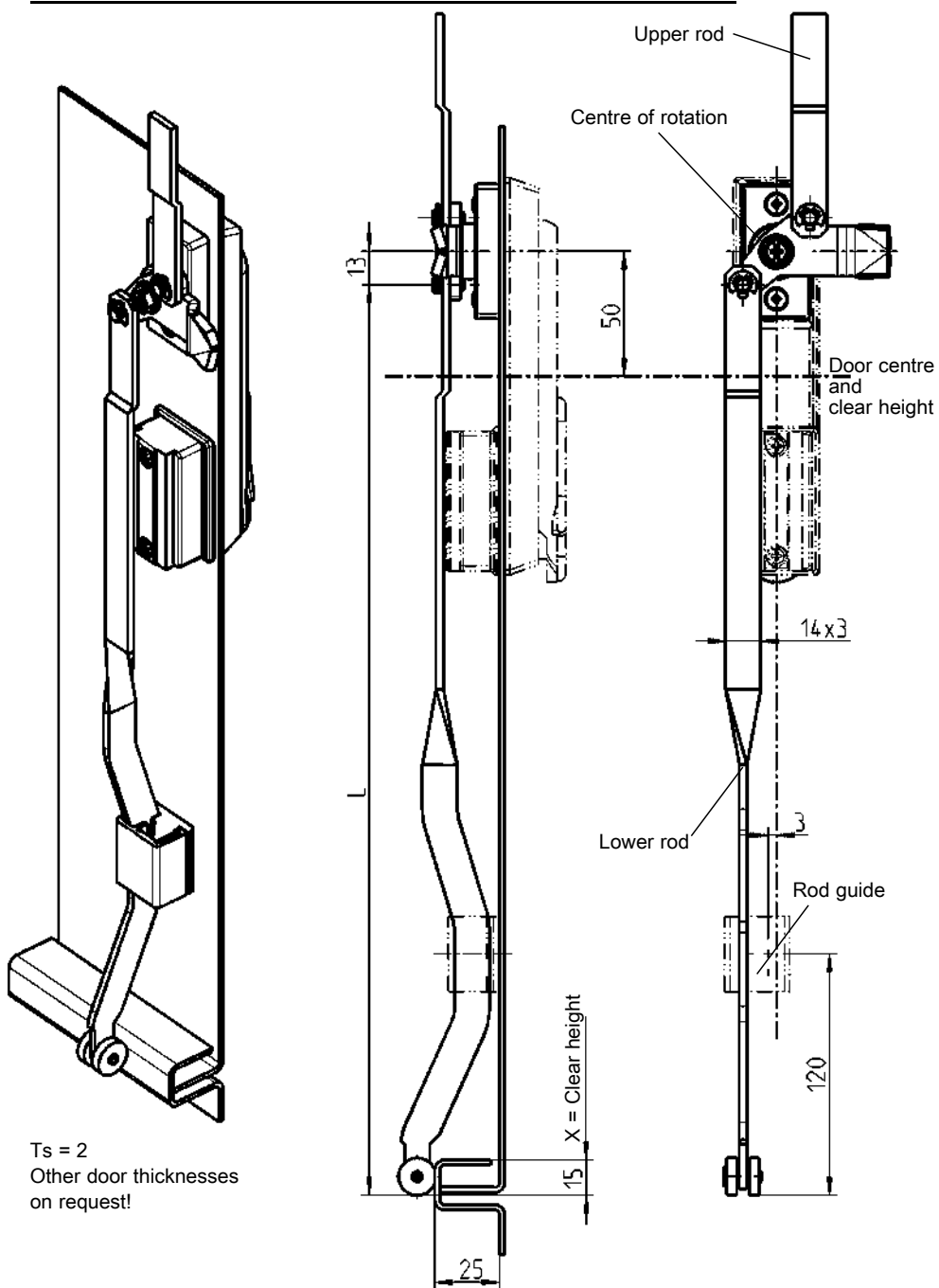
Smaller quantities on request

#### Calculation of rod length L

$$\text{Upper rod} \quad L = \frac{X}{2} - 48$$

$$\text{Lower rod} \quad L = \frac{X}{2} + 52$$

$$\text{Pivot point centre door, top and bottom same rod length} \quad L = \frac{X}{2} + 2$$



Ts = 2  
Other door thicknesses on request!

Further parts see page

- Rod guide 3ZC-120 to 3ZC-170

Program 1125, 1225, 1325, 3000

- Cam with stroke 26 3YB-420

Flat rod m.s. zinc-plated, rollers polyamide black

1121-U144-L mm

(1121-U144-01 to -08 see price list)



# Rod for cam with stroke 26 mm

## PROGRAM 1125

Minimum order quantity: 200 pieces

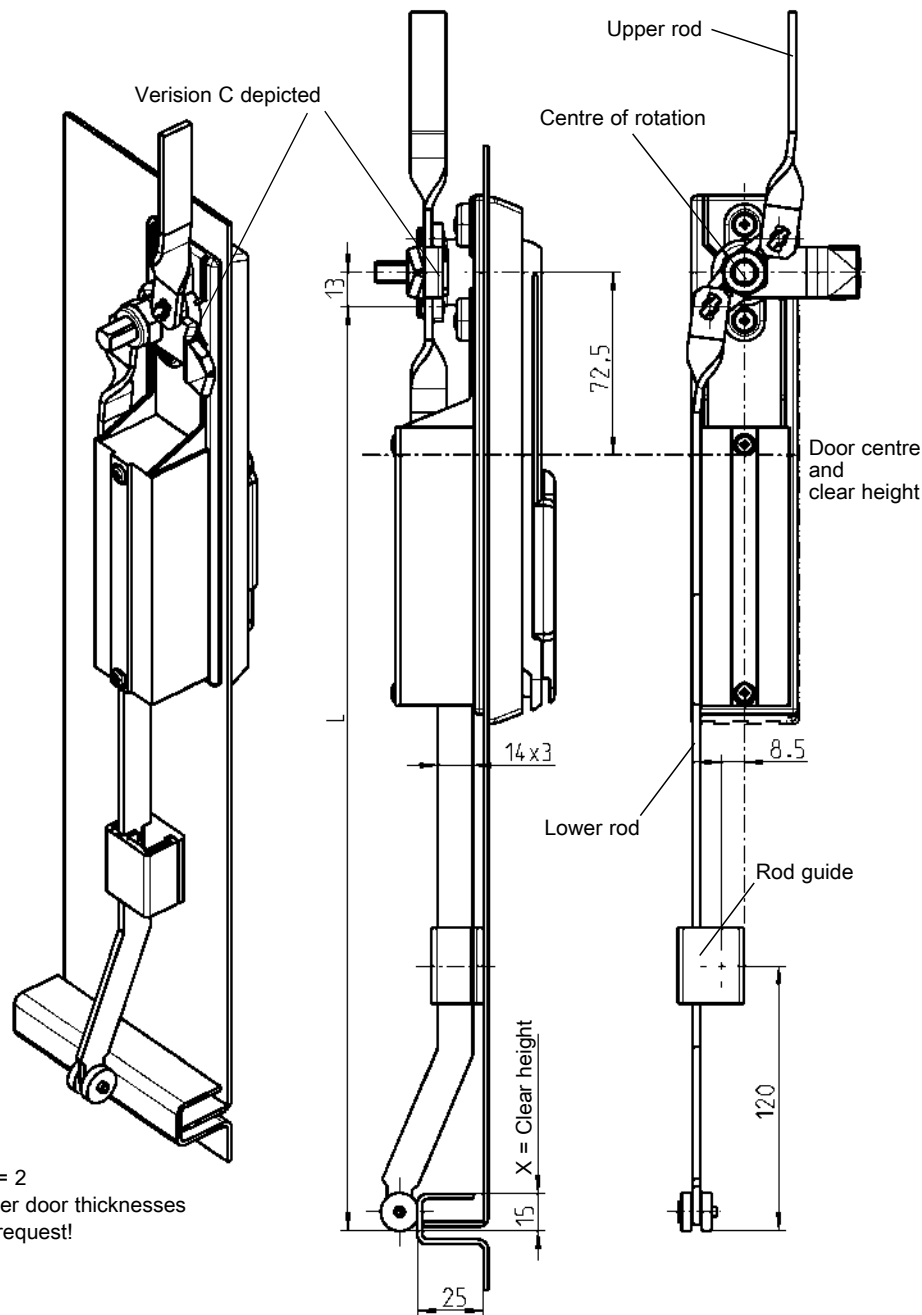
Smaller quantities on request

### Calculation of rod length L

|           |                          |
|-----------|--------------------------|
| Upper rod | $L = \frac{X}{2} - 70.5$ |
|-----------|--------------------------|

|           |                          |
|-----------|--------------------------|
| Lower rod | $L = \frac{X}{2} + 74.5$ |
|-----------|--------------------------|

|   |                       |
|---|-----------------------|
| Pivot point centre door, top and bottom same rod length | $L = \frac{X}{2} + 2$ |
|---|-----------------------|



Ts = 2  
Other door thicknesses on request!

Flat rod m.s. zinc-plated, rollers polyamide black

|                  |                |                       |
|------------------|----------------|-----------------------|
| Left             | 1121-U146-L mm | (1121-U146-01 to -08) |
| Right (depicted) | 1121-U147-L mm | (1121-U147-01 to -08) |
|                  | see price list |                       |



1 Quarter turns

2 Rod controls

3 Locking systems

4 Hinges

5 Seals

6 Handles

7 Aluminium windows

8 Miscellaneous

9 Special catalogues

Index



Further parts see page

- Rod guide 3ZC-120 to 3ZC-170

Program 1125

- Cam with stroke 26 3YC-120 3YC-140



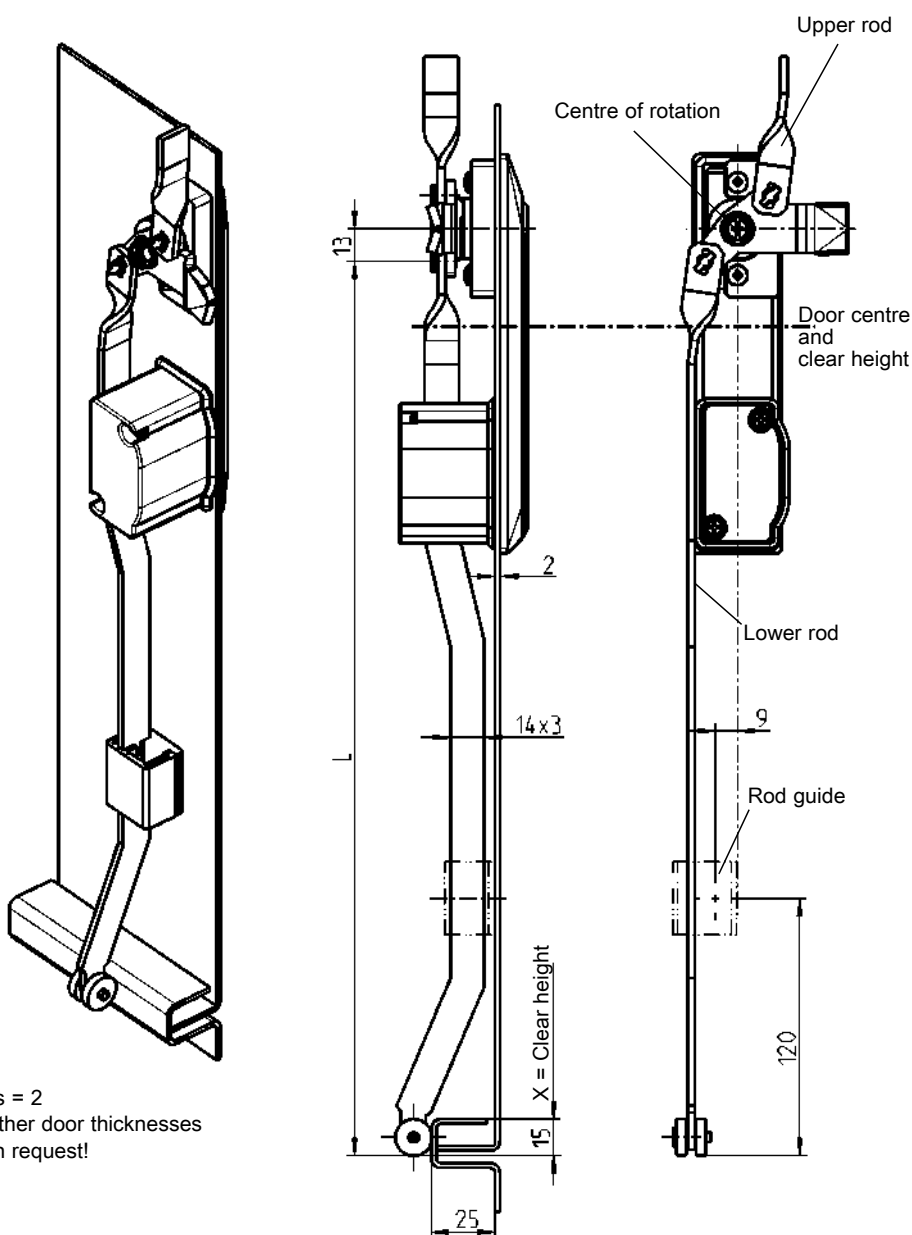
# Rod for cam with stroke 26 mm

## PROGRAM 1150, 2225

Minimum order quantity: 200 pieces  
Smaller quantities on request

Swinghandle  
see note

| Calculation of rod length L:                            | Version               | A    | B    | C      |
|---|-----------------------|------|------|--------|
| Upper rod   | $L = \frac{X}{2}$     | - 48 | - 54 | - 70.5 |
| Lower rod   | $L = \frac{X}{2}$     | + 52 | + 58 | + 74.5 |
| Pivot point centre door, top and bottom same rod length | $L = \frac{X}{2} + 2$ |      |      |        |



Ts = 2  
Other door thicknesses on request!



1 Quarter turns

2 Rod controls

3 Locking systems

4 Hinges

5 Seals

6 Handles

7 Aluminium windows

8 Miscellaneous

9 Special catalogues

Index



**Note:**  
Calculation of the connection rod version A,B or C suitable for

- Swinghandle 1154 3C-220 = A
- Swinghandle 1153 3C-320 = A
- Swinghandle 1154 3C-260 = B
- Swinghandle 1154 3C-280 = C
- Swinghandle 1151 3C-420 = C
- Swinghandle 2225 3J-120 = A

**Further parts see page**

- Rod guide 3ZC-120 to 3ZC-170

**Program 1150**

- Cam with stroke 26 3YC-120 3YC-140

Flat rod m.s. zinc-plated, rollers polyamide black

|                  |                |                       |
|------------------|----------------|-----------------------|
| Left             | 1121-U146-L mm | (1121-U146-01 to -08) |
| Right (depicted) | 1121-U147-L mm | (1121-U147-01 to -08) |
|                  |                | see price list        |

# Rod for cam with stroke 26 mm

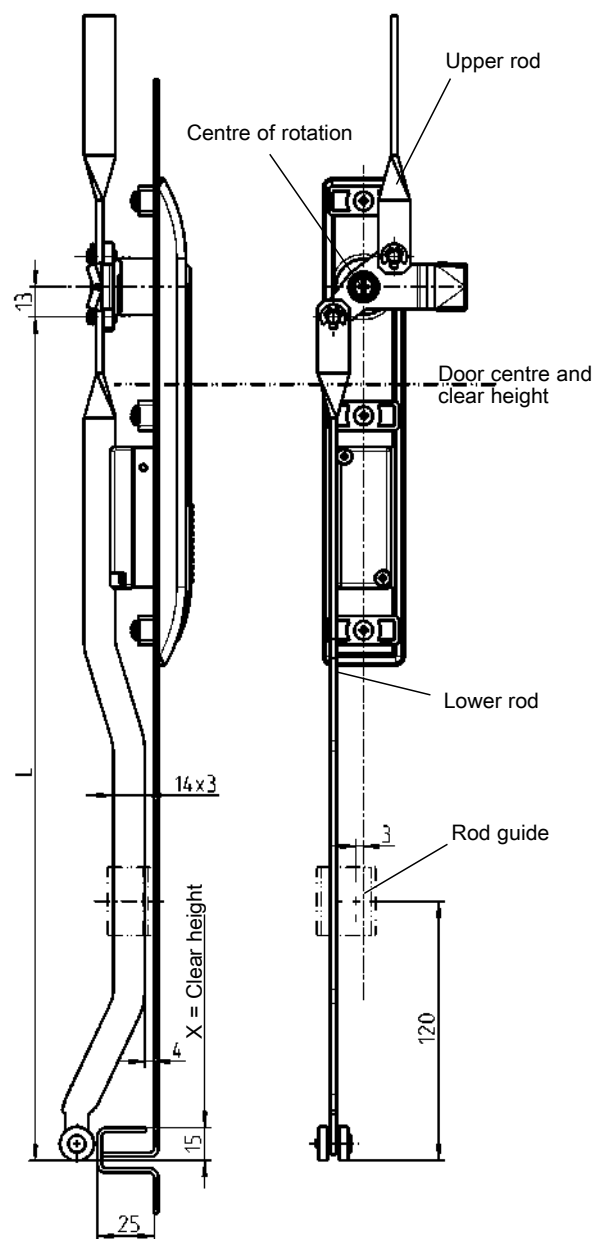
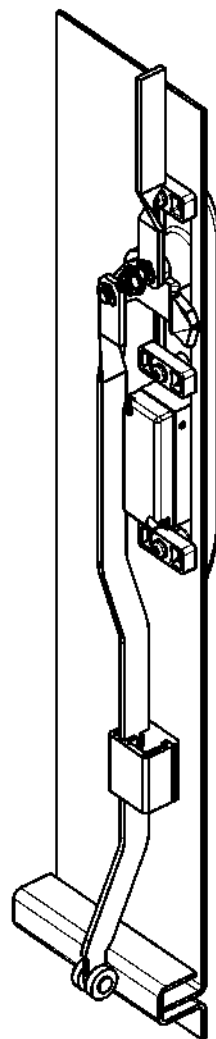
## PROGRAM 1180

Minimum order quantity: 200 pieces  
Smaller quantities on request

Swinghandle  
see note

### Calculation of rod length L:

|   | Version               | A    | B      |
|---|-----------------------|------|--------|
| Upper rod   | $L = \frac{X}{2}$     | - 55 | - 70.5 |
| Lower rod   | $L = \frac{X}{2}$     | + 59 | + 74.5 |
| Pivot point centre door, top and bottom same rod length | $L = \frac{X}{2} + 2$ |      |        |



Ts = 2  
Other door thicknesses on request!

**Note:**  
Calculation of the connection rod version A or B suitable for  
- Swinghandle 1180 3E-320 = A  
- Swinghandle 1185 3E-520 = B

**Further parts see page**  
- Rod guide 3ZC-120 to 3ZC-170

**Program 1180**  
- Cam with stroke 26 3YC-120 to 3YC-140

Flat rod m.s. zinc-plated, rollers polyamide black

1121-U145-L mm  
(1121-U145-01 to -08 see price list)

# Rod for cam with stroke 26 mm

## PROGRAM 1225



Minimum order quantity: 200 pieces

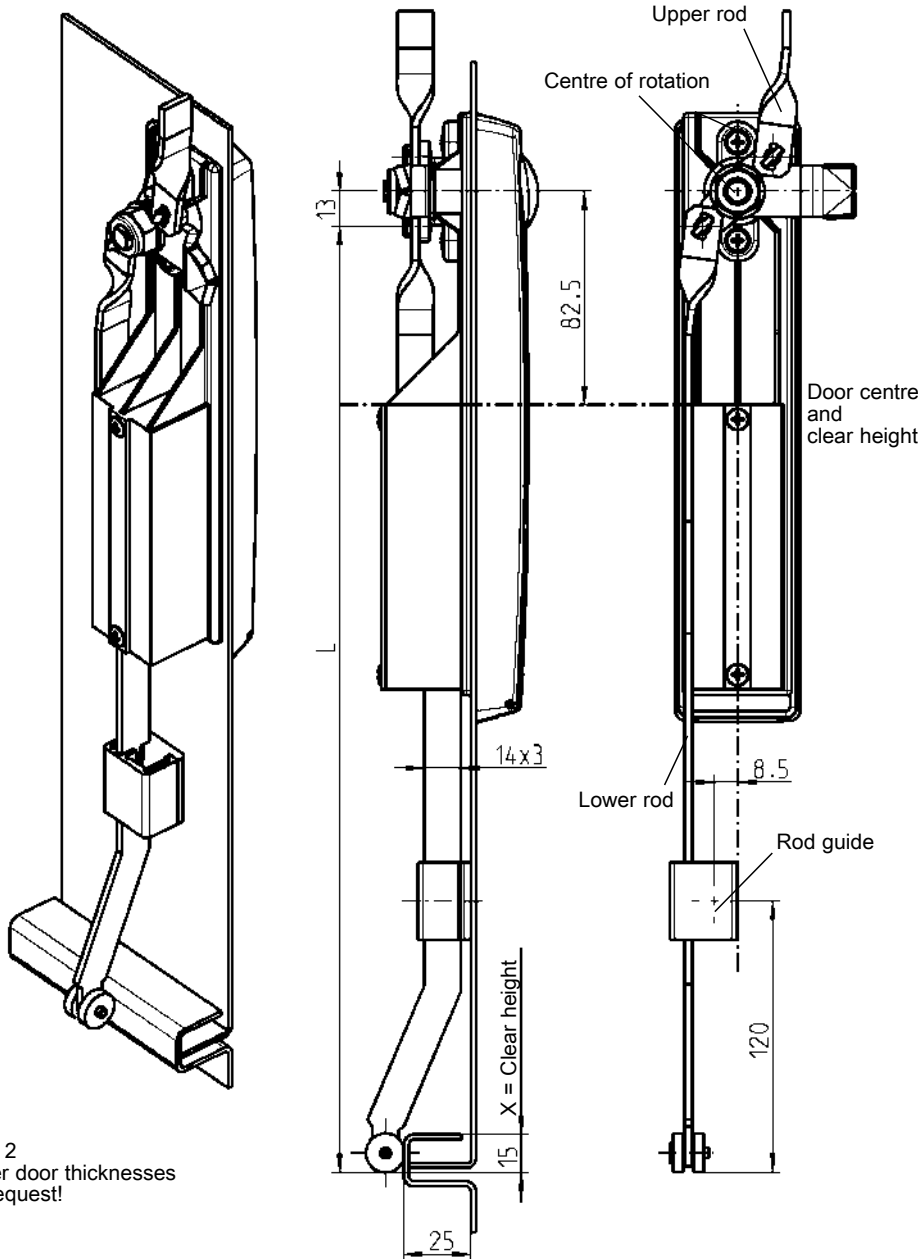
Smaller quantities on request

### Calculation of rod length L

|           |                          |
|-----------|--------------------------|
| Upper rod | $L = \frac{X}{2} - 80.5$ |
|-----------|--------------------------|

|           |                          |
|-----------|--------------------------|
| Lower rod | $L = \frac{X}{2} + 84.5$ |
|-----------|--------------------------|

|   |                       |
|---|-----------------------|
| Pivot point centre door, top and bottom same rod length | $L = \frac{X}{2} + 2$ |
|---|-----------------------|



Ts = 2  
Other door thicknesses on request!



Flat rod m.s. zinc-plated, rollers polyamide black

|                  |                |                       |
|------------------|----------------|-----------------------|
| Left             | 1121-U146-L mm | (1121-U146-01 to -08) |
| Right (depicted) | 1121-U147-L mm | (1121-U147-01 to -08) |
|                  | see price list |                       |

Further parts see page

- Rod guide 3ZC-120 to 3ZC-170

Program 1225

- Cam with stroke 26 3YC-140

### Rod for cam with stroke 26 mm PROGRAM 2100

Minimum order quantity: 200 pieces

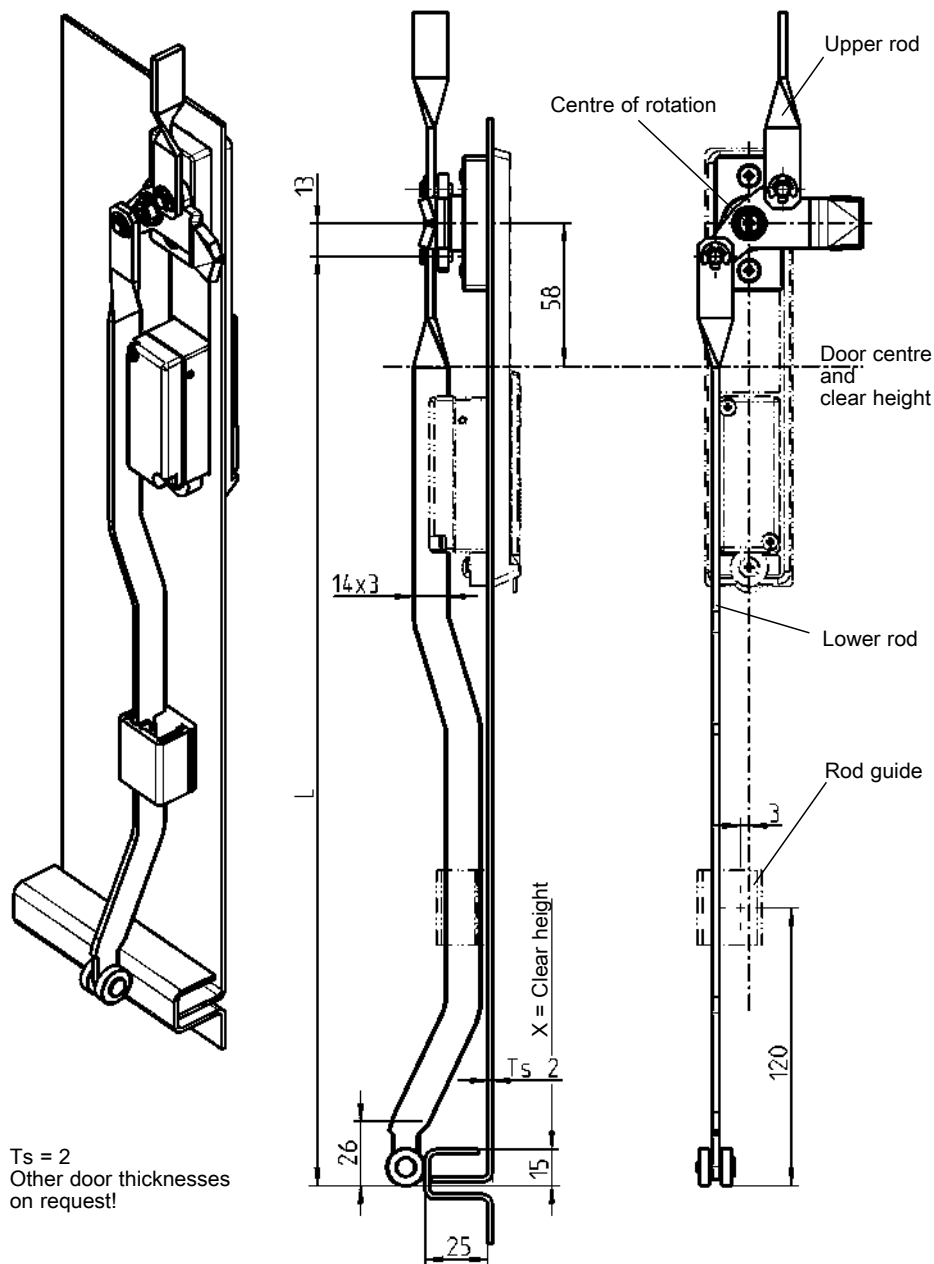
Smaller quantities on request

#### Calculation of rod length L

|           |                        |
|-----------|------------------------|
| Upper rod | $L = \frac{X}{2} - 56$ |
|-----------|------------------------|

|           |                        |
|-----------|------------------------|
| Lower rod | $L = \frac{X}{2} + 60$ |
|-----------|------------------------|

|   |                       |
|---|-----------------------|
| Pivot point centre door, top and bottom same rod length | $L = \frac{X}{2} + 2$ |
|---|-----------------------|



Ts = 2  
Other door thicknesses on request!

Further parts see page

– Rod guide 3ZC-120 to 3ZC-170

Program 2100

– Cam with stroke 26 3YB-420

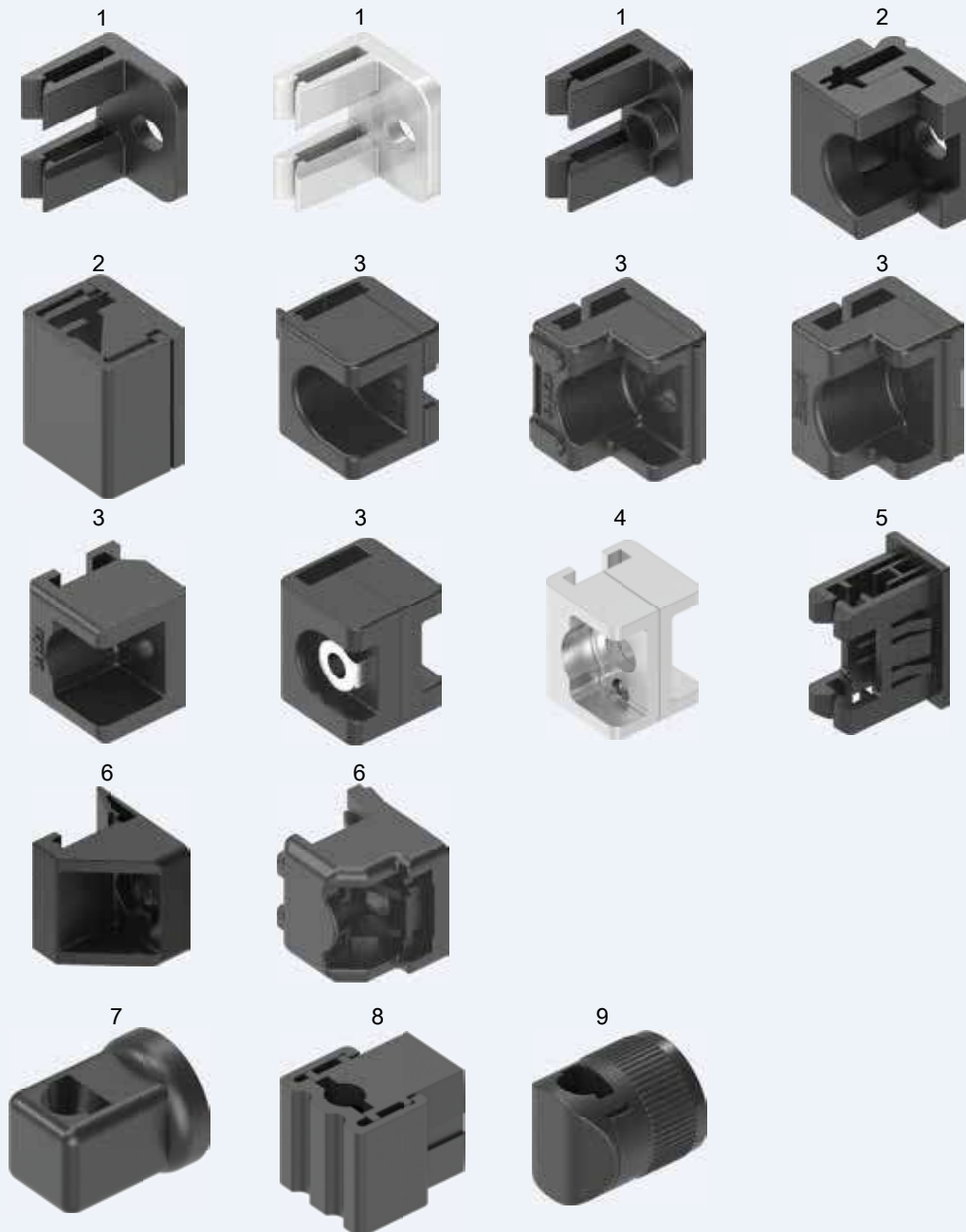
Flat rod m.s. zinc-plated, rollers polyamide black

1121-U145-L mm

(1121-U145-01 to -08 see price list)

# Rod guide

Program 1107, 1125, 1150, 1160, 1180,  
1190, 1225, 1317, 1325, 2100, 2400, 3000



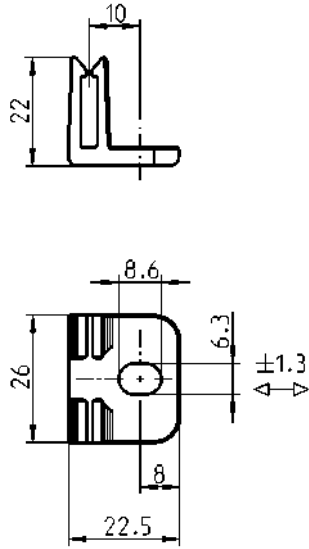
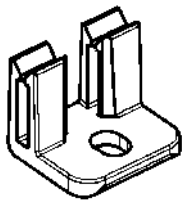
- 1 for flat rod 3 x 14, flat rod is clipped in
- 2 for flat rod 3 x 14, cover is clipped in
- 3 for flat rod 3 x 14, rod guide can be pre-assembled on rod
- 4 for flat rod 3 x 14, rod guide made of stainless steel
- 5 for flat rod 3 x 14, rod guide clip-in and flat rod will be clipped in
- 6 for flat rod 3 x 14, rod guide is clipped on and flat rod is clipped in
- 7 for round rod  $\varnothing 8$
- 8 for round rod  $\varnothing 8$ , bottom part of rod guide is pre-assembled
- 9 for round rod  $\varnothing 8$ , rod guide is plugged on and screwed tight



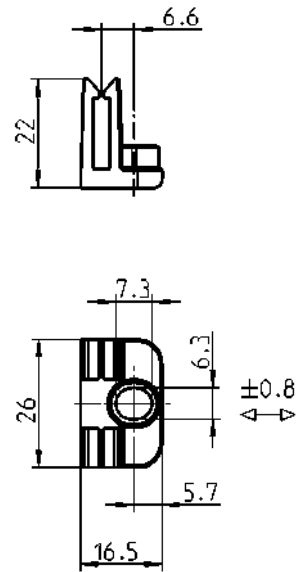
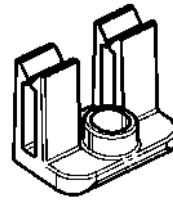
**3ZC-100**

# Rod guide for flat rod 3x14

PROGRAM 1107 - 3000



Flat rod will clip-in



Flat rod will clip-in

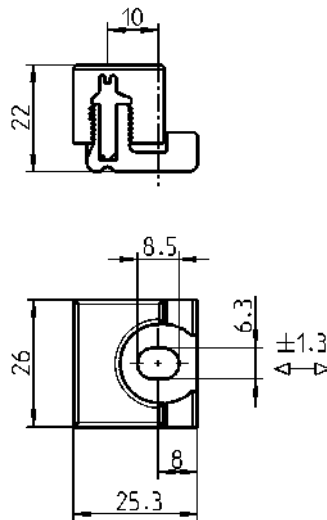
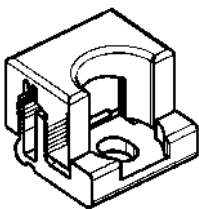
For small bending area!

Rod guide polyamide colour of choice for weld stud M6x12

|                      |            |
|----------------------|------------|
| black                | 1121-89    |
| silver grey metallic | 1121-89-CX |

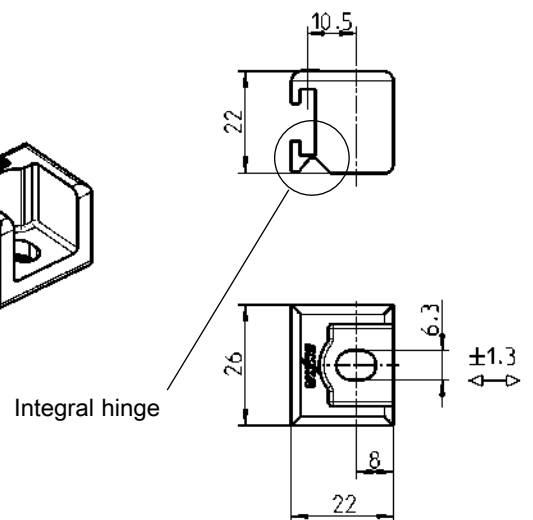
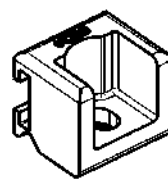
Rod guide polyamide black for rivet nut Ø 6x8-M4 and oval head screw DIN 7045 M4x6

|  |            |
|--|------------|
|  | 1121-89-11 |
|--|------------|



Pre-assembly of the bottom part possible!

Cover will clip-on!



Rod guide can be pre-assembled on flat rod!

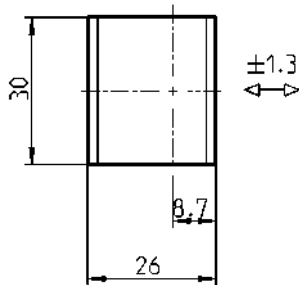
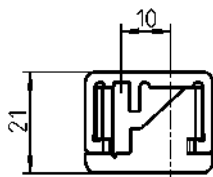
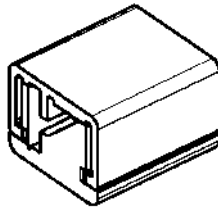
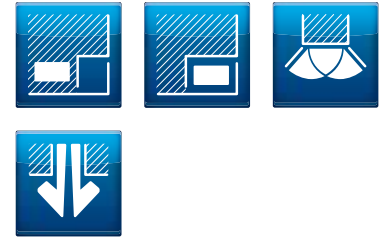
Rod guide polyamide black for weld stud M6x12

1121-U91

Rod guide polyamide black for weld stud M6x10, M6x12 or M6x16

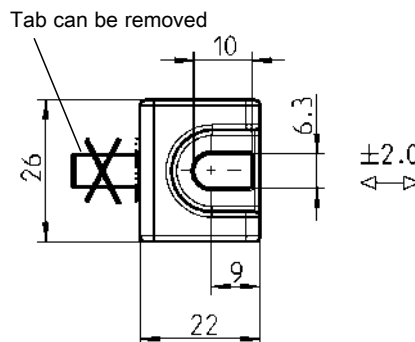
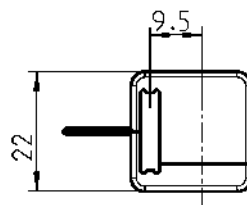
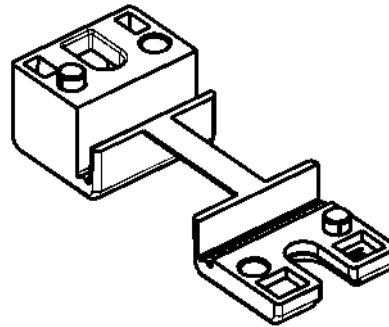
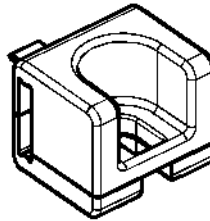
1121-19





Pre-assembly of the bottom part possible!

Cover will clip-on!



Rod guide can be pre-assembled on flat rod!

Rod guide polyamide black  
for weld stud M6x12

1121-U151

Rod guide polyamide black  
for weld stud M6x16 or M6x20

1121-19-N

Further parts see page

**Program 1107, 1317**

– Rods 3ZB-320

**Program 1125, 1225, 1325**

– Rods 3ZA-120

to 3ZA-340

3ZB-120

to 3ZB-220

3ZB-420

(only for 1125)

3ZB-440

(only for 1225)

3ZB-720

**Program 1150**

– Rods 3ZA-120

to 3ZA-340

3ZB-120

to 3ZB-220

3ZB-520

3ZB-540

**Program 1160**

– Rods 3ZA-120

to 3ZA-420

3ZB-120

to 3ZB-220

**Program 1180**

– Rods 3ZA-120

to 3ZA-340

3ZA-520

3ZB-120

to 3ZB-220

3ZB-620

**Program 1190**

– Rods 3ZA-120

to 3ZA-340

**Program 2100**

– Rods 3ZA-120

to 3ZA-340

3ZB-120

to 3ZB-220

3ZB-820

**Program 2400**

– Rods 3ZA-820

**Program 3000**

– Rods 3ZA-120

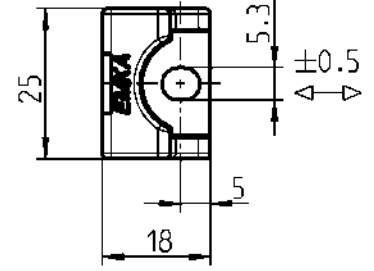
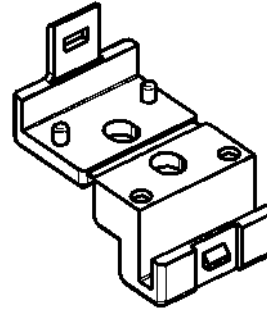
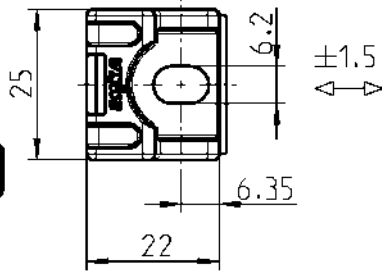
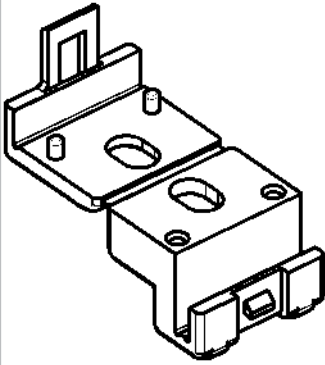
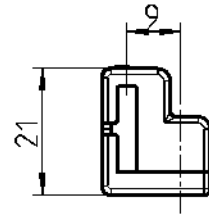
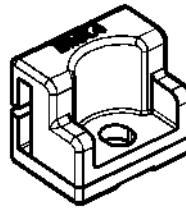
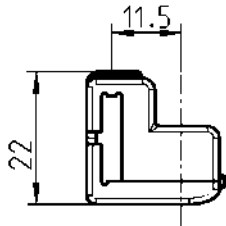
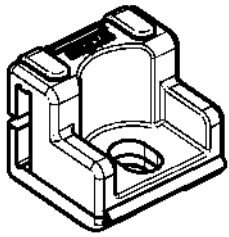
to 3ZA-340

3ZB-120

to 3ZB-220

# Rod guide for flat rod 3x14

PROGRAM 1107, 1125, 1150, 1160, 1180, 1190, 1225, 1325, 2100, 2300 - 3000



Rod guide can be pre-assembled on flat rod!

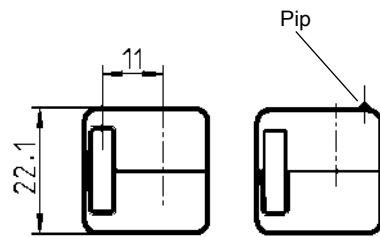
Rod guide can be pre-assembled on flat rod!

Rod guide polyamide black for weld stud M6x12

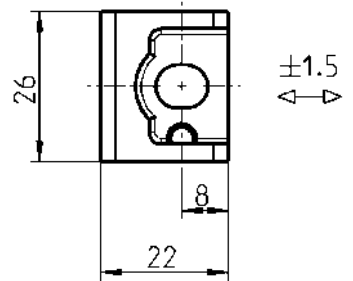
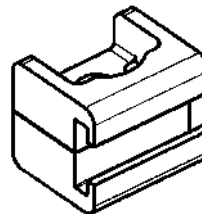
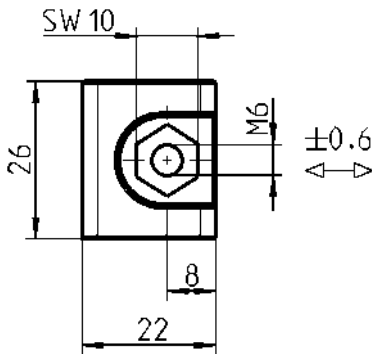
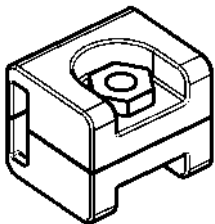
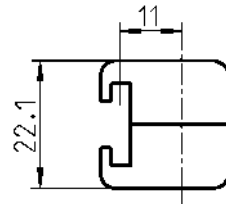
Rod guide polyamide black for weld stud M5x12

1121-109

1121-106



Pip



Rod guide can be pre-assembled on flat rod!

Rod guide can be pre-assembled on flat rod!

Pips avoid 'door rattling'

Rod guide polyamide black, safety nut m.s. zinc-plated for weld studs or countersunk screw M6x16 or M6x20

Rod guide AISI 316 for weld studs or countersunk screw M6x20

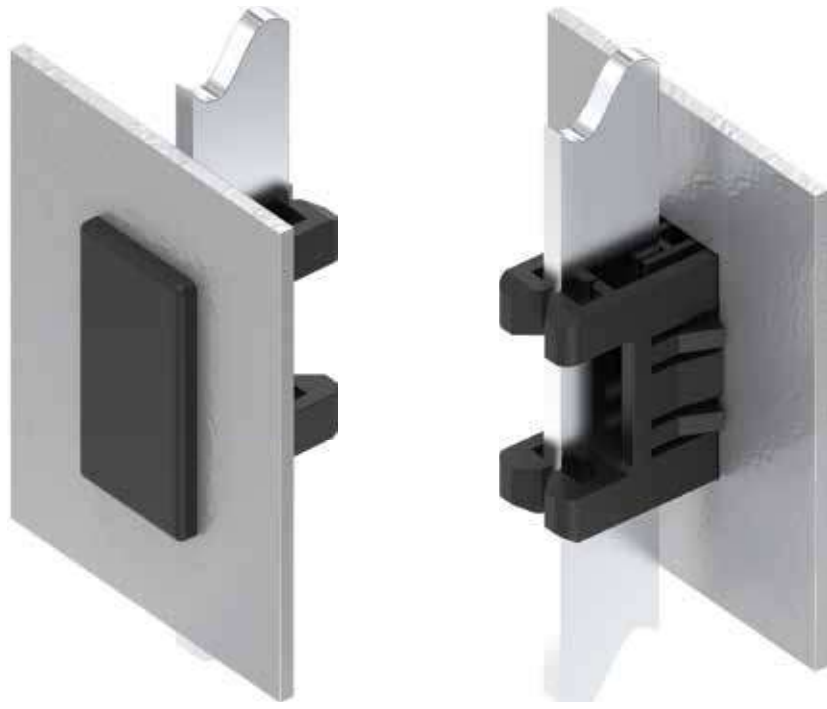
without pip

1121-U71-N

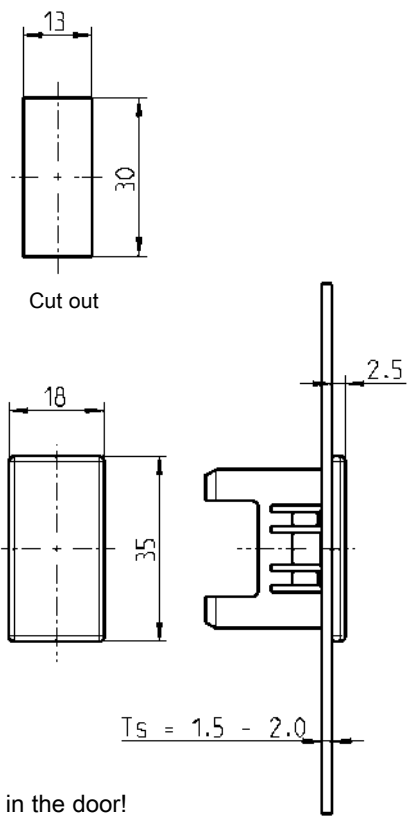
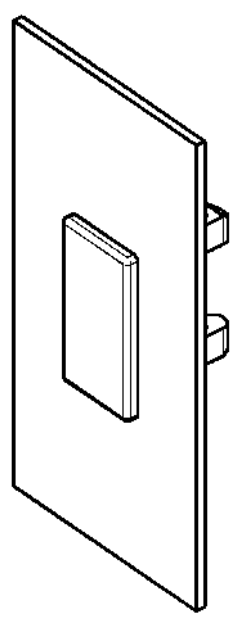
with pip

1121-U74-N

1121-U71-PH



**+ ADVANTAGE**  
The fastest assembly without weld studs



Rod guide will clip-in through the cut out in the door!  
Flat rod will clip-in



Further parts see page

|                                 |            |
|---------------------------------|------------|
| <b>Program 1107, 1317</b>       |            |
| - Rods                          | 3ZB-320    |
| <b>Program 1125, 1225, 1325</b> |            |
| - Rods                          | 3ZA-120    |
|                                 | to 3ZA-340 |
|                                 | 3ZB-120    |
|                                 | to 3ZB-220 |
|                                 | 3ZB-420    |
| (only for 1125)                 | 3ZB-440    |
| (only for 1225)                 | 3ZB-720    |
| <b>Program 1150</b>             |            |
| - Rods                          | 3ZA-120    |
|                                 | to 3ZA-340 |
|                                 | 3ZB-120    |
|                                 | to 3ZB-220 |
|                                 | 3ZB-520    |
|                                 | 3ZB-540    |
| <b>Program 1160</b>             |            |
| - Rods                          | 3ZA-120    |
|                                 | to 3ZA-420 |
|                                 | 3ZB-120    |
|                                 | to 3ZB-220 |
| <b>Program 1180</b>             |            |
| - Rods                          | 3ZA-120    |
|                                 | to 3ZA-340 |
|                                 | 3ZA-520    |
|                                 | 3ZB-120    |
|                                 | to 3ZB-220 |
|                                 | 3ZB-620    |
| <b>Program 1190</b>             |            |
| - Rods                          | 3ZA-120    |
|                                 | to 3ZA-340 |
| <b>Program 2100</b>             |            |
| - Rods                          | 3ZA-120    |
|                                 | to 3ZA-340 |
|                                 | 3ZB-120    |
|                                 | to 3ZB-220 |
|                                 | 3ZB-820    |
| <b>Program 2400</b>             |            |
| - Rods                          | 3ZA-820    |
| <b>Program 3000</b>             |            |
| - Rods                          | 3ZA-120    |
|                                 | to 3ZA-340 |
|                                 | 3ZB-120    |
|                                 | to 3ZB-220 |

Rod guide polyamide black

2300-04

Info

1 Quarter turns



2 Rod controls



3 Locking systems



4 Hinges

Further parts see page

**Program 1107, 1317**

– Rods 3ZB-320

**Program 1125, 1225, 1325**

– Rods 3ZA-120

to 3ZA-340

3ZB-120

to 3ZB-220

3ZB-420

3ZB-440

3ZB-720

(only for 1125)  
(only for 1225)

**Program 1150**

– Rods 3ZA-120

to 3ZA-340

3ZB-120

to 3ZB-220

3ZB-520

3ZB-540

**Program 1160**

– Rods 3ZA-120

to 3ZA-420

3ZB-120

to 3ZB-220

**Program 1180**

– Rods 3ZA-120

to 3ZA-340

3ZA-520

3ZB-120

to 3ZB-220

3ZB-620

**Program 1190**

– Rods 3ZA-120

to 3ZA-340

**Program 2100**

– Rods 3ZA-120

to 3ZA-340

3ZB-120

to 3ZB-220

3ZB-820

**Program 2400**

– Rods 3ZA-820

**Program 3000**

– Rods 3ZA-120

to 3ZA-340

3ZB-120

to 3ZB-220

5 Seals

6 Handles

7 Aluminium windows

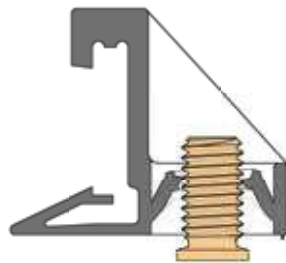
8 Miscellaneous

9 Special catalogues

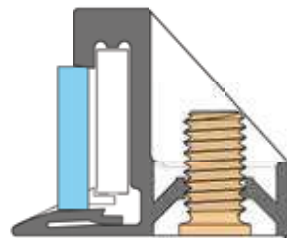
Index

Pull-out force:  $F_{max.} = 350\text{ N}$   
Application force: Typical value  $F \approx 135\text{ N}$

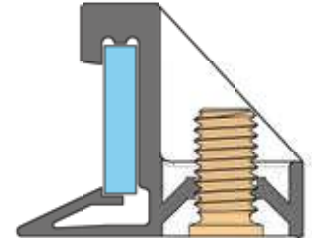
These values refer to threads with surface raw or zinc-plated and grease-free.



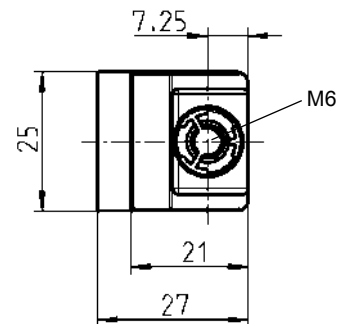
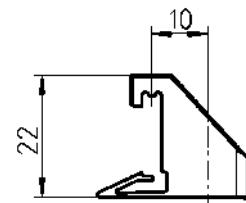
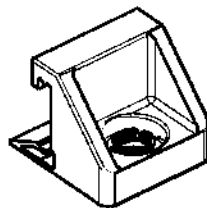
1. Mounting the rod guide on the weld stud



2. Mounting the flat rod into the rod guide



3. Rod guide ready mounted



Rod guide clip-in plastic black  
for weld stud M6x10 or M6x12

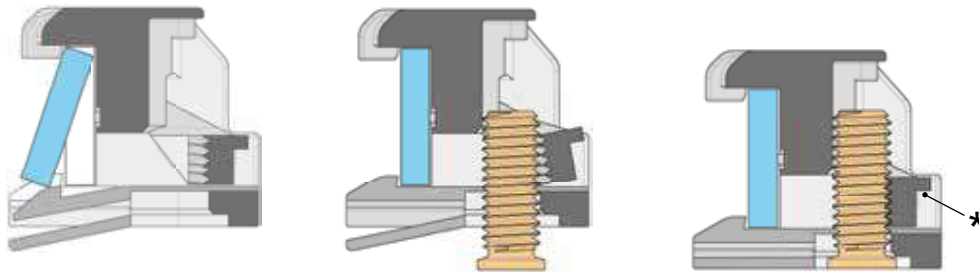
1121-127

# Rod guide clip-in for flat rod 3x14

## PROGRAM 1107 - 3000

Pull-out force:  $F_{max.} = 650 \text{ N}$   
 Application force: Typical value  $F = \text{very low}$

These values refer to threads with a grease-free surface.

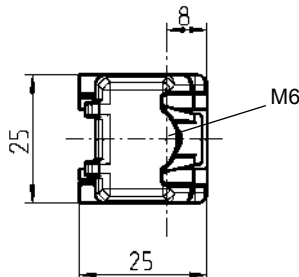
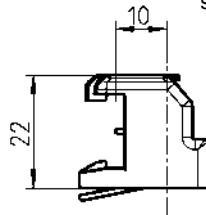
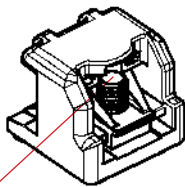


1. Mounting the flat rod into the rod guide

2. Mounting the rod guide on the weld stud

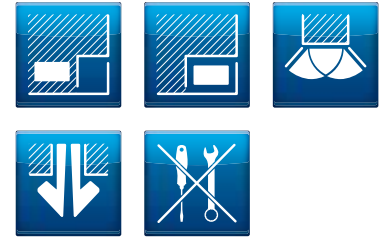
3. Rod guide ready mounted

\* Tab must be lifted for disassembly



### + ADVANTAGE

The rod guide can also be clipped in in case of powder-coated weld studs and still provides a high pull-out force!



Further parts see page

**Program 1107, 1317**  
 – Rods 3ZB-320

**Program 1125, 1225, 1325**  
 – Rods 3ZA-120 to 3ZA-340  
 3ZB-120 to 3ZB-220  
 3ZB-420  
 (only for 1125) 3ZB-440  
 (only for 1225) 3ZB-720

**Program 1150**  
 – Rods 3ZA-120 to 3ZA-340  
 3ZB-120 to 3ZB-220  
 3ZB-520  
 3ZB-540

**Program 1160**  
 – Rods 3ZA-120 to 3ZA-420  
 3ZB-120 to 3ZB-220

**Program 1180**  
 – Rods 3ZA-120 to 3ZA-340  
 3ZA-520  
 3ZB-120 to 3ZB-220  
 3ZB-620

**Program 1190**  
 – Rods 3ZA-120 to 3ZA-340

**Program 2100**  
 – Rods 3ZA-120 to 3ZA-340  
 3ZB-120 to 3ZB-220  
 3ZB-820

**Program 2400**  
 – Rods 3ZA-820

**Program 3000**  
 – Rods 3ZA-120 to 3ZA-340  
 3ZB-120 to 3ZB-220

Rod guide clip-in polyamide black for weld stud M6x16 or M6x20

1121-135



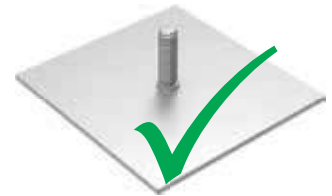
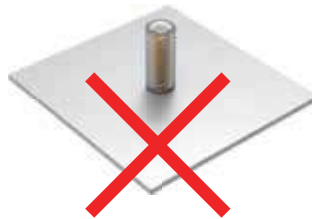
1. Place the rod guide on the weld stud. (Hereby the time-consuming screwing is reduced considerably.)



2. Set the rod guide upright. This makes it snap into place noticeably and audibly. It can then be secured by only a few rotations.

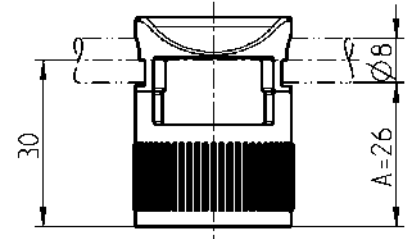
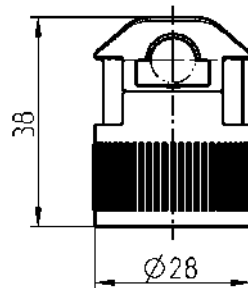
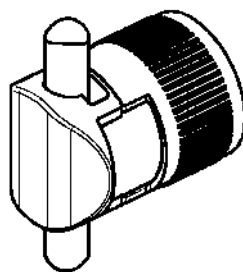
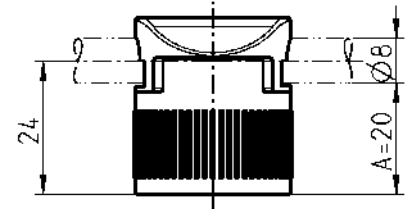
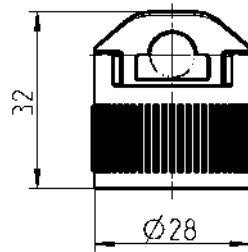
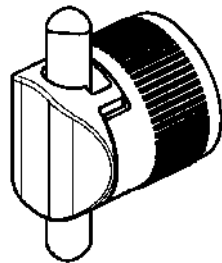


3. Rod guide is completely mounted.



#### + ADVANTAGE

This rod guide is suitable for raw and powder-coated weld studs. The covering of the weld stud before powdering can be omitted, this results in process optimization and cost saving.



**Note:**  
Rod guide suitable for dimensions of A=20 and A=26

Further parts see page

Program 1107, 1125, 1150,  
1180, 1225, 1325, 2100, 3000  
– Rods 3ZB-120  
3ZB-180

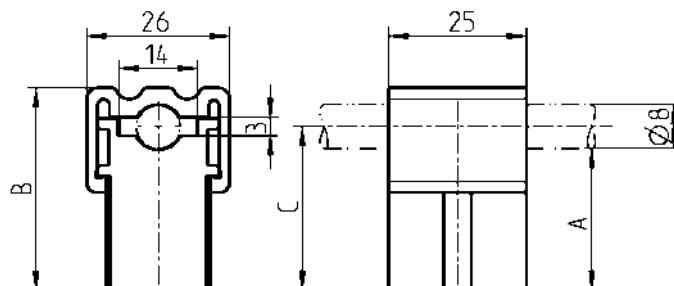
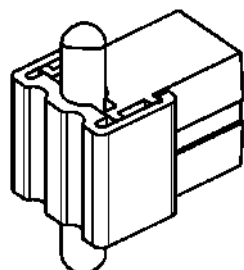
#### Rod guide polyamide GF black

| A  | for weld stud |
|----|---------------|
| 20 | M6x16         |
| 26 | M6x20         |

1001-U47

# Rod guide for round rods 8 mm

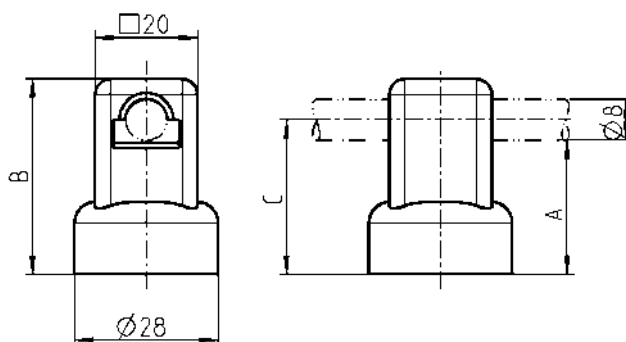
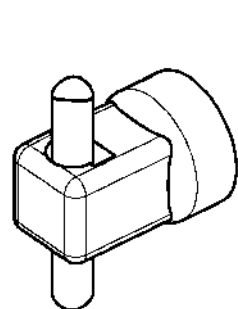
PROGRAM 1107 - 3000



**Note:**  
Rod guide can also be used  
for horizontal flat rods 3x14!

## Rod guide polyamide black

| A  | B  | C  | for weld stud |          |
|----|----|----|---------------|----------|
| 20 | 31 | 24 | M6x12 - 20    | 1001-U40 |
| 26 | 37 | 30 | M6x12 - 20    | 1001-U41 |



## Rod guide polyamide black with sunken nut m.s. zinc-plated

| A  | B  | C  | for weld stud |          |
|----|----|----|---------------|----------|
| 20 | 32 | 24 | M6x16         | 1001-U11 |
| 26 | 38 | 30 | M6x20         | 1001-U12 |

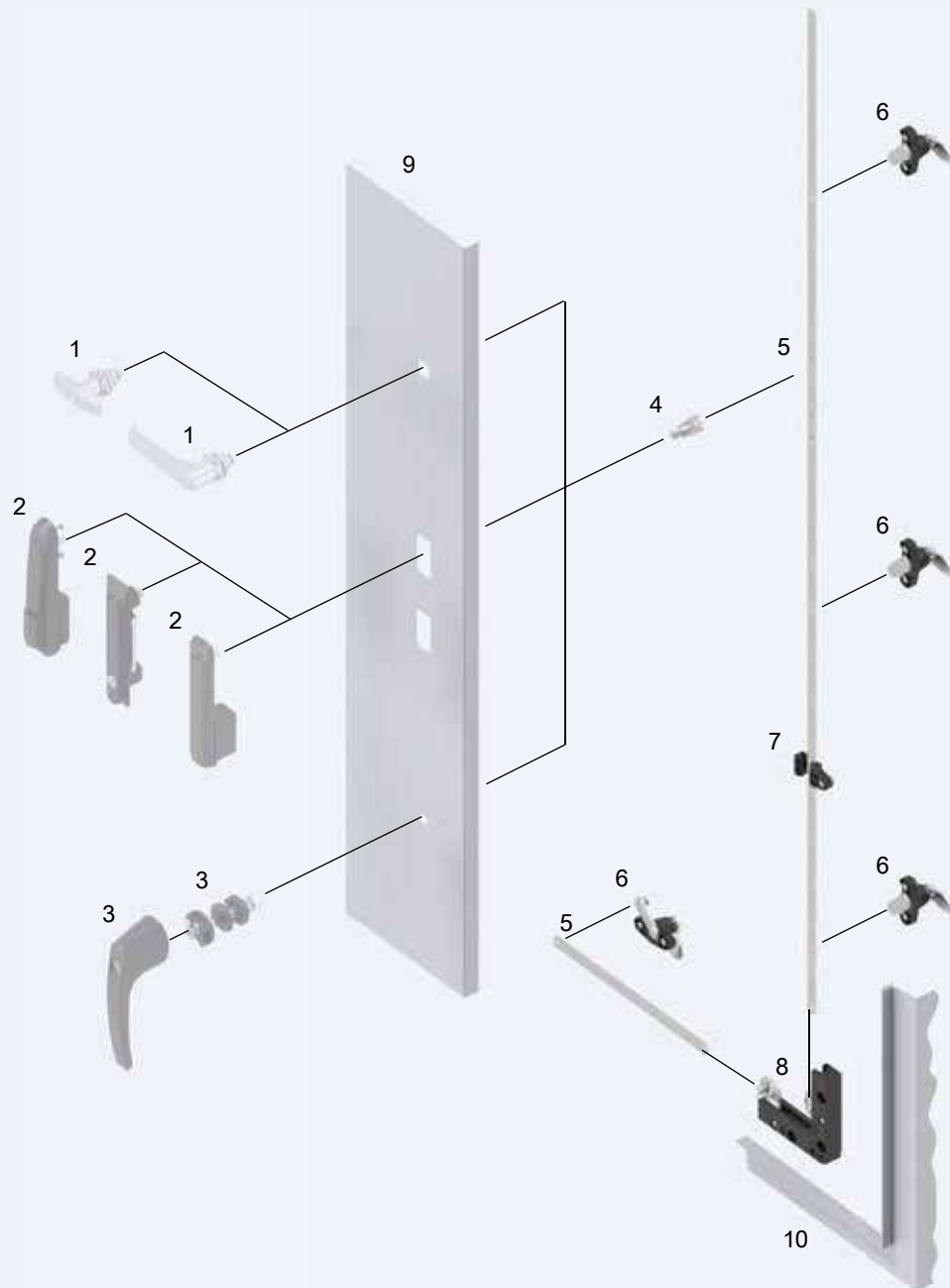
Further parts see page  
Program 1107, 1125, 1150,  
1180, 1225, 1325, 2100, 3000  
– Rods 3ZB-120  
3ZB-180





# Compression latch system inside the sealing

## Program 1000, 1091, 1125, 1150, 1180, 1225, 1325, 2100, 2225, 3000



- 1 Quarter turn, Program 1000
- 2 Swinghandle, Program 1125, 1150, 1180, 1225, 1325, 2100, 2225, 3000
- 3 Modular locking system, Program 1091 (Special catalogue HVACR)
- 4 Rod control
- 5 Connecting rod
- 6 Locking point
- 7 Rod guide
- 8 Corner guide
- 9 Door
- 10 Housing / Frame



# 3ZD-100

# Compression latch system for swinghandle, quarter turn and HVACR system

PROGRAM 1000, 1091, 1125, 1150, 1180, 1225, 1325, 2100, 2225, 3000



Swinghandle  
with GH = 18



Quarter turn  
with GH = 18



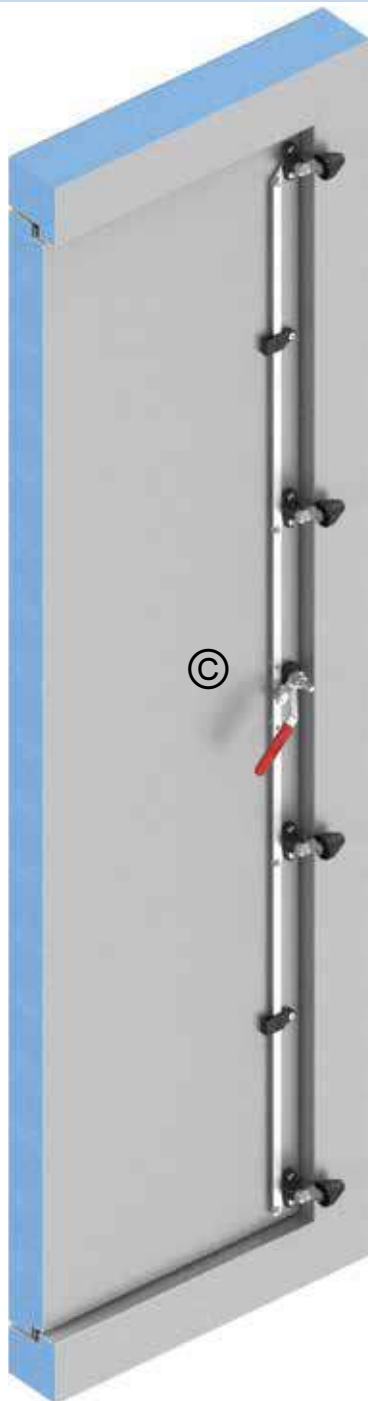
Modular locking system  
HVACR system



## Product benefits

- Compression function
- Latch and cut out independent for compression latch system
- Corner guide can be used for additional latches in transverse installation
- High closing comfort
- Patented





©



### Further parts see page

- Connecting rod 3ZB-140
- Locking point compression latch 3ZD-160
- Rod control 3ZD-180
- Rod guide 3ZD-200
- Corner guide 3ZD-220
- Cam 3ZD-240
- Roller Cam Special catalogue HVACR
- Ramp 1C-170

### Program 1000

- Safety quarter turn 1B-330
- 1B-332
- Handle quarter turn, lockable 1B-560
- to 1B-650

### Program 1125, 1150, 1180, 1225, 1325, 2100, 2225, 3000

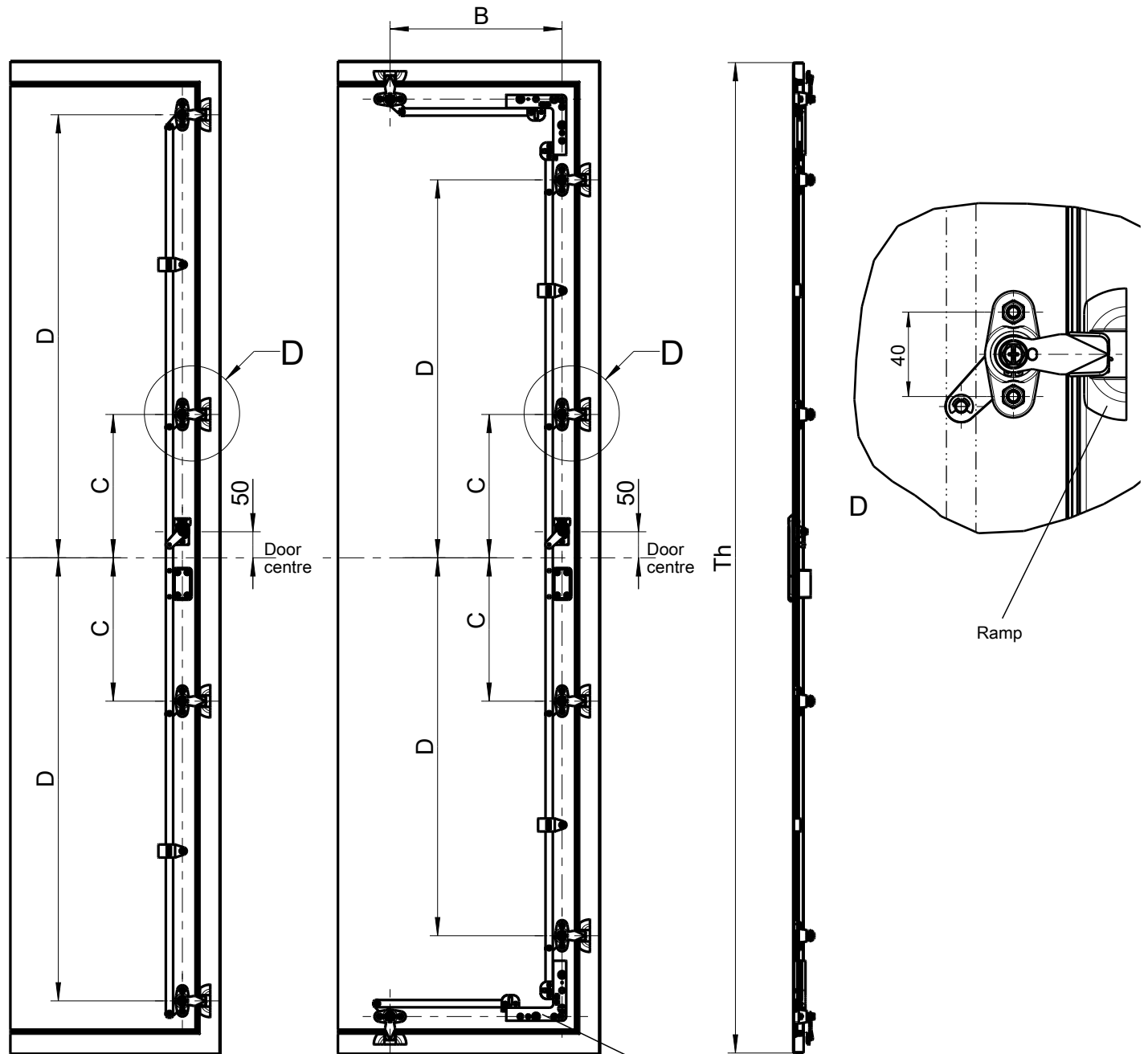
- Swinghandle 3B-100
- 3BA-100
- 3C-100
- 3E-100
- 3G-100
- 3H-100
- 3J-100
- 3N-100

### Program 1091

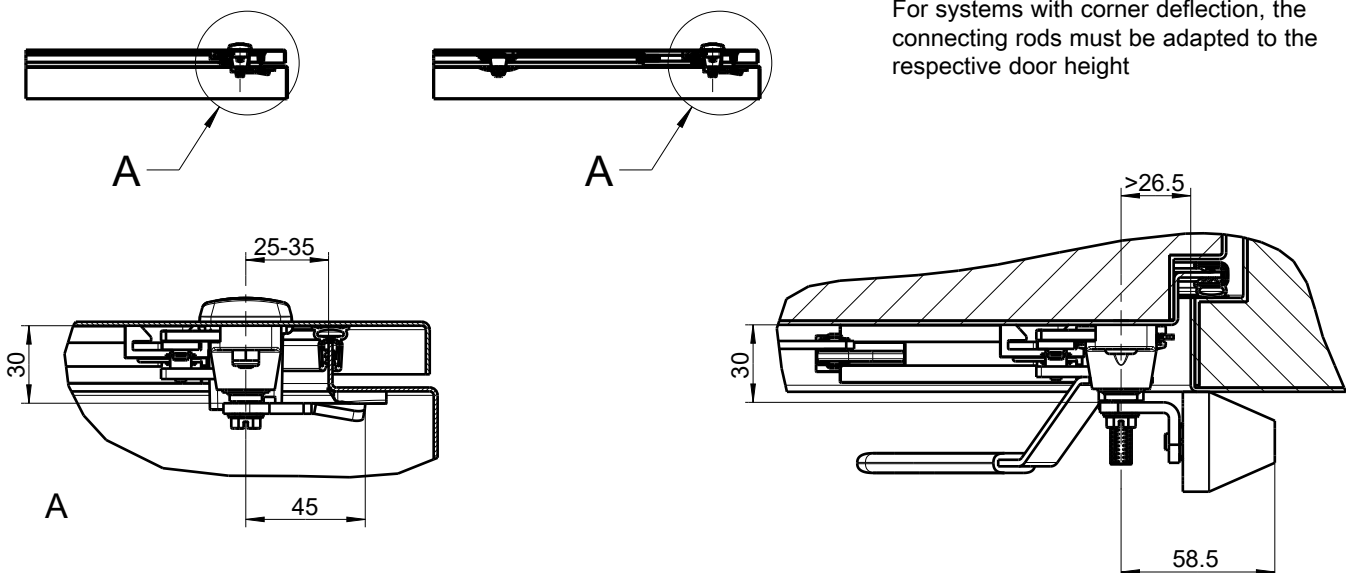
- Handle Special catalogue HVACR
- Shafts E1 and E2 Special catalogue HVACR

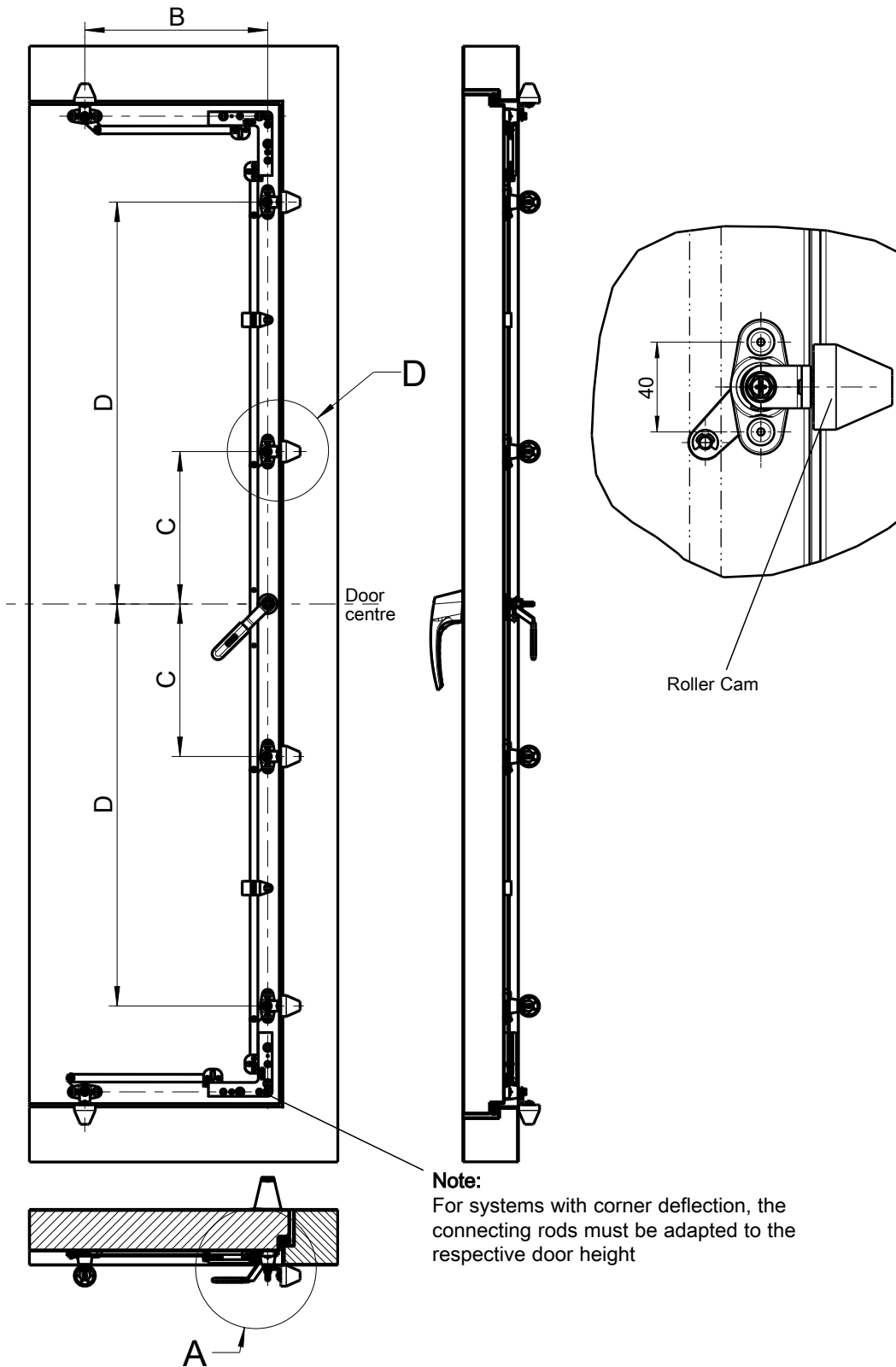
# Connecting rod for compression latch system

PROGRAM 1000, 1091, 1125, 1150, 1180, 1225, 1325, 2100, 2225, 3000



**Note:**  
For systems with corner deflection, the connecting rods must be adapted to the respective door height





**Note:**  
For systems with corner deflection, the connecting rods must be adapted to the respective door height



Further parts see page

- System overview 3ZB-120
- Locking point compression latch 3ZD-160
- Rod control 3ZD-180
- Rod guide 3ZD-200
- Corner guide 3ZD-220
- Cam 3ZD-240
- Roller Cam Special catalogue HVACR
- Ramp 1C-170

**Program 1000**

- Safety quarter turn 1B-330
- 1B-332
- Handle quarter turn, lockable 1B-560 to 1B-650

**Program 1125, 1150, 1180, 1225, 1325, 2100, 2225, 3000**

- Swinghandle 3B-100
- 3BA-100
- 3C-100
- 3E-100
- 3G-100

- 3H-100
- 3J-100
- 3N-100

**Program 1091**

- Handle Special catalogue HVACR
- Shafts E1 and E2 Special catalogue HVACR

**Connecting rod vertical (without corner guide)**

| Door height Th | Dim. C | Dim. D |            |
|----------------|--------|--------|------------|
| 800-1200       | -      | 300    | on request |
| 1200-1600      | -      | 450    | on request |
| 1600-1900      | 275    | 700    | on request |
| 1900-2200      | 275    | 850    | on request |

**Connecting rod horizontal**

Dimension B according to customer's choice on request

Info

1 Quarter turns



2 Rod controls



Right-hand version

3 Locking systems



Right-hand version  
Compressed condition



Right-hand version  
Open condition

4 Hinges



Left-hand version



Left-hand version  
Compressed condition



Left-hand version  
Open condition

5 Seals

6 Handles

**Further parts see page**

- System overview 3ZB-120
- Connecting rod 3ZB-140
- Rod control 3ZD-180
- Rod guide 3ZD-200
- Corner guide 3ZD-220
- Cam 3ZD-240
- Roller Cam
- Special catalogue HVACR
- Ramp 1C-170

**Program 1000**

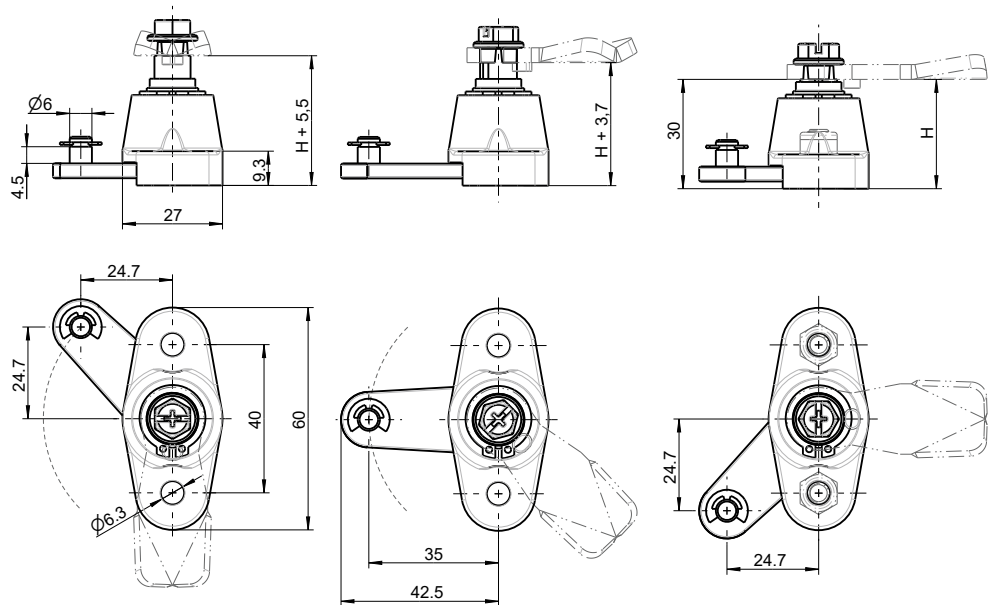
- Safety quarter turn 1B-330
- 1B-332
- Handle quarter turn, lockable 1B-560
- to 1B-650

**Program 1125, 1150, 1180, 1225, 1325, 2100, 2225, 3000**

- Swinghandle 3B-100
- 3BA-100
- 3C-100
- 3E-100
- 3G-100
- 3H-100
- 3J-100
- 3N-100

**Program 1091**

- Handle
- Special catalogue HVACR
- Shafts E1 and E2
- Special catalogue HVACR



7 Aluminium windows

8 Miscellaneous

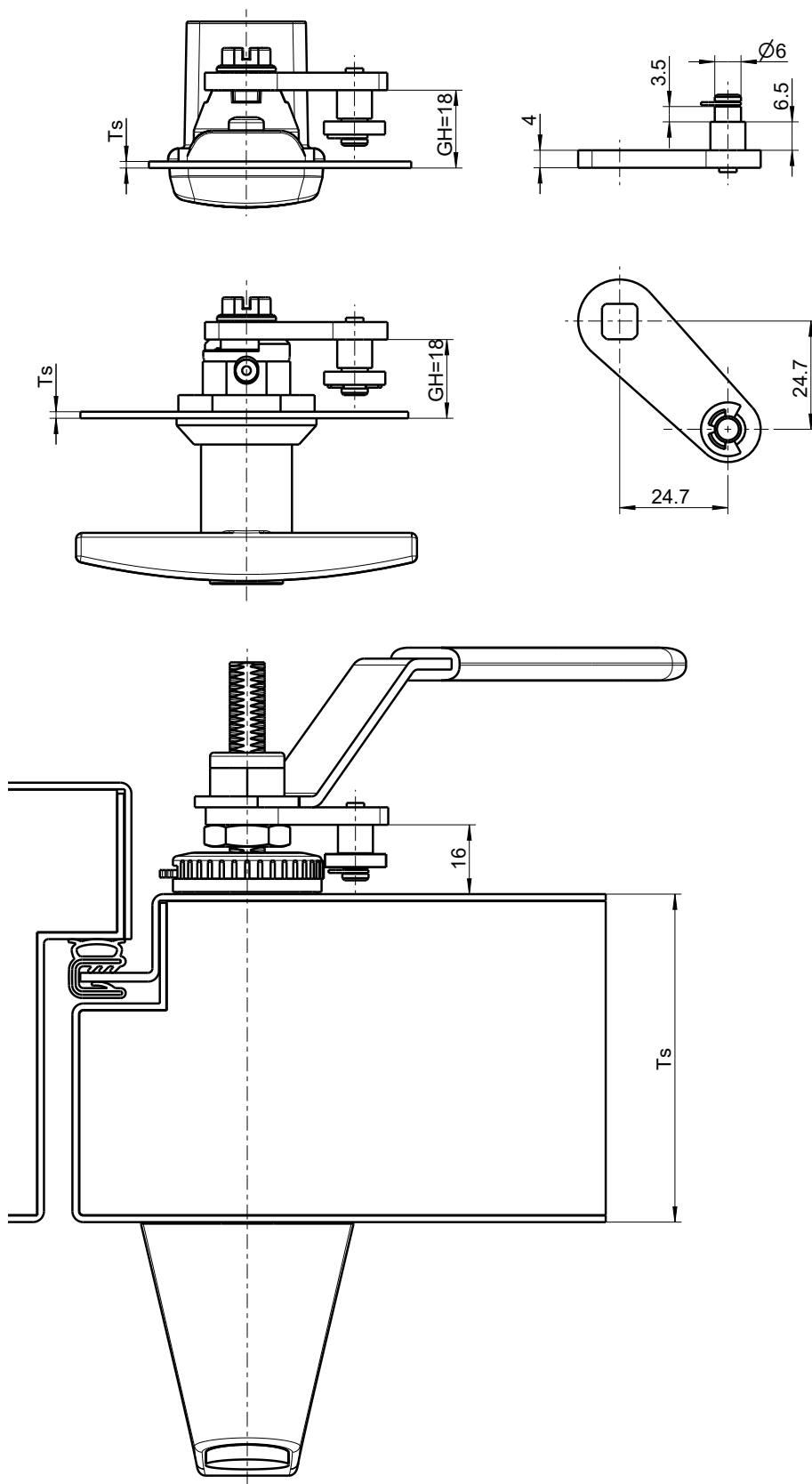
9 Special catalogues

Index

Locking point for weld stud M6x16 or blind rivet; housing polyamide 66 GF 50 black, insert, bush and locking shaft zinc die raw; pin, screw and circlip m.s. zinc-plated; with spring

|   |           |
|---|-----------|
| Right-hand version (for quarter turn left-hand version) | 1121-U203 |
| Left-hand version (for quarter turn right-hand version) | 1121-U204 |

# Rod control for compression latch system PROGRAM 1000 - 3000



### Further parts see page

- System overview 3ZB-120
- Connecting rod 3ZB-140
- Locking point compression latch

- Rod guide 3ZD-160
- Corner guide 3ZD-200
- Cam 3ZD-220
- 3ZD-240

### Program 1000

- Safety quarter turn 1B-330
- 1B-332
- Handle quarter turn, lockable 1B-560
- to 1B-650

### Program 1125, 1150, 1180, 1225, 1325, 2100, 2225, 3000

- Swinghandle 3B-100
- 3BA-100
- 3C-100
- 3E-100
- 3G-100

- 3H-100
- 3J-100
- 3N-100

### Program 1091

- Handle Special catalogue HVACR
- Shafts E1 and E2 Special catalogue HVACR

Rod control m.s. zinc-plated

1000-U980

Info

1 Quarter turns



2 Rod controls



3 Locking systems



4 Hinges

5 Seals

6 Handles

7 Aluminium windows

8 Miscellaneous

9 Special catalogues

Index

#### Further parts see page

- System overview 3ZB-120
- Connecting rod 3ZB-140
- Locking point compression latch

- 3ZD-160
- Rod control 3ZD-180
- Corner guide 3ZD-220
- Cam 3ZD-240

#### Program 1000

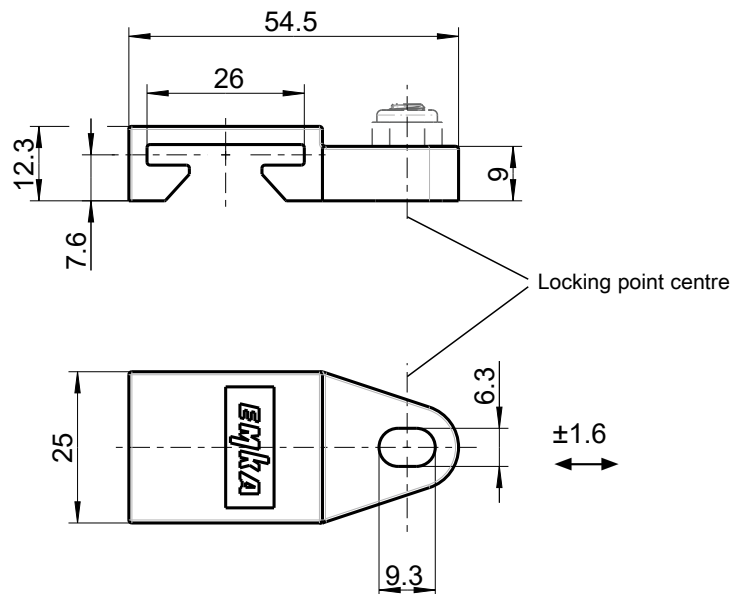
- Safety quarter turn 1B-330
- 1B-332
- Handle quarter turn, lockable
- 1B-560
- to 1B-650

#### Program 1125, 1150, 1180, 1225, 1325, 2100, 2225, 3000

- Swinghandle 3B-100
- 3BA-100
- 3C-100
- 3E-100
- 3G-100
- 3H-100
- 3J-100
- 3N-100

#### Program 1091

- Handle
- Special catalogue HVACR
- Shafts E1 and E2
- Special catalogue HVACR



Rod guide polyamide GF black

for weld stud M6x16 or blind rivet

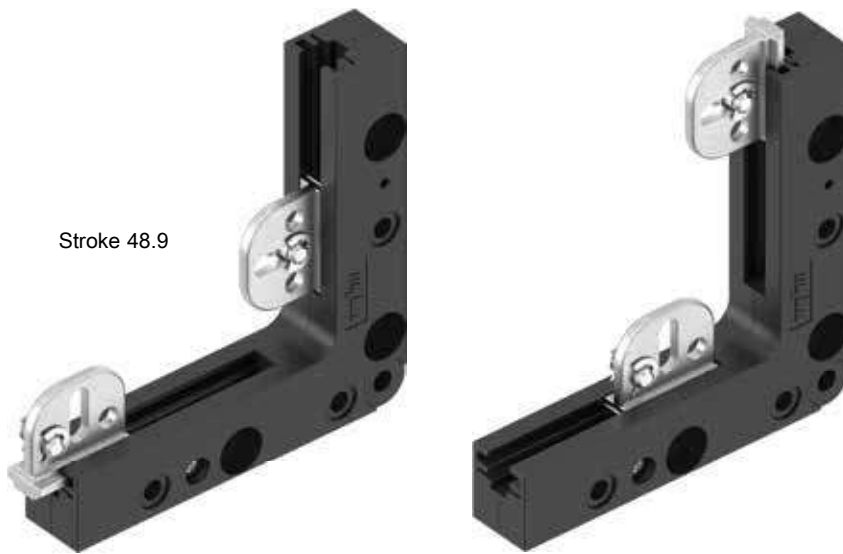
1121-169

3ZD-200

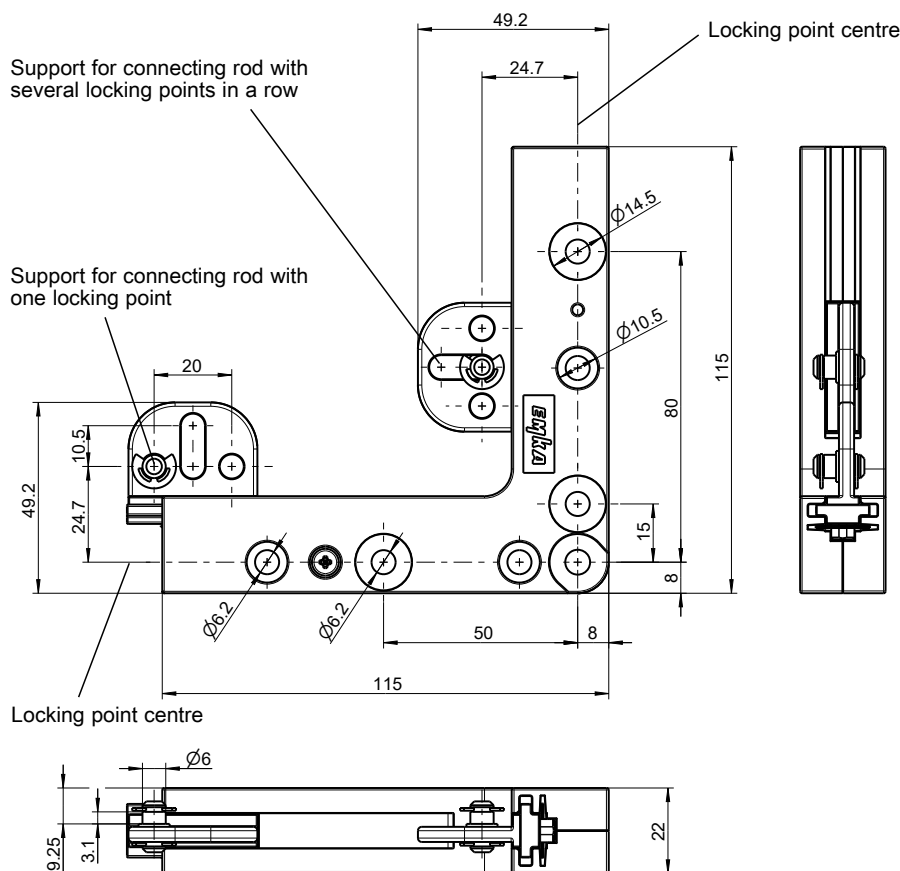


# Corner guide for compression latch system

PROGRAM 1000 - 3000



Stroke 48.9



### Further parts see page

- System overview 3ZB-120
- Connecting rod 3ZB-140
- Locking point compression latch

- Rod control 3ZD-160
- Rod guide 3ZD-180
- Cam 3ZD-200
- 3ZD-240

### Program 1000

- Safety quarter turn 1B-330
- 1B-332
- Handle quarter turn, lockable 1B-560
- to 1B-650

### Program 1125, 1150, 1180, 1225, 1325, 2100, 2225, 3000

- Swinghandle 3B-100
- 3BA-100
- 3C-100
- 3E-100
- 3G-100

- 3H-100
- 3J-100
- 3N-100

### Program 1091

- Handle Special catalogue HVACR
- Shafts E1 and E2 Special catalogue HVACR

### Corner guide

Housing polyamide GF black, connector zinc die raw; rivet m.s. zinc-plated; circlip and screw m.s. zinc-plated; with spring hinge

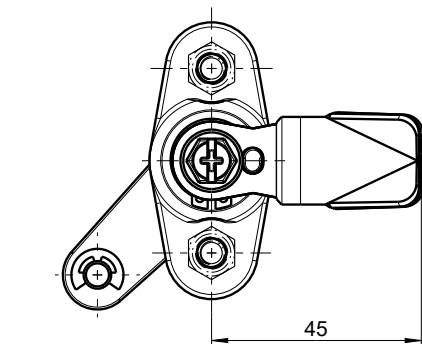
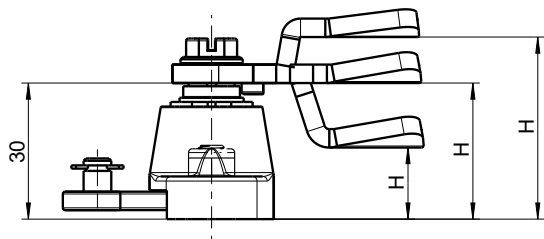
for weld stud M6x20 or blind rivet

1121-U205



# Cam for compression latch system

PROGRAM 1000 - 3000



### Cam with catch, material of choice

| H  | m.s.<br>zinc-plated | AISI 304 | AISI 316    |
|----|---------------------|----------|-------------|
| 16 | 1000-112            | -        | -           |
| 18 | 1000-22             | 1000-221 | 1000-221-PD |
| 20 | 1000-113            | -        | -           |
| 22 | 1000-21             | 1000-223 | 1000-223-PD |
| 25 | 1000-20             | -        | -           |
| 26 | 1000-19             | 1000-225 | 1000-225-PD |
| 28 | 1000-18             | -        | -           |
| 30 | 1000-17             | 1000-227 | 1000-227-PD |
| 32 | 1000-16             | 1000-228 | 1000-228-PD |
| 34 | 1000-15             | 1000-179 | 1000-179-PD |
| 36 | 1000-14             | 1000-229 | 1000-229-PD |
| 37 | 1000-27             | -        | -           |
| 38 | 1000-50             | 1000-230 | 1000-230-PD |
| 40 | 1000-13             | 1000-180 | 1000-180-PD |
| 42 | 1000-28             | -        | -           |
| 44 | 1000-26             | -        | -           |
| 46 | 1000-12             | -        | -           |
| 47 | 1000-11             | -        | -           |
| 48 | 1000-51             | -        | -           |
| 50 | 1000-52             | -        | -           |
| 52 | 1000-25             | -        | -           |
| 54 | 1000-53             | -        | -           |
| 56 | 1000-54             | -        | -           |
| 57 | 1000-10             | -        | -           |
| 59 | 1000-55             | -        | -           |
| 61 | 1000-56             | -        | -           |

### Further parts see page

- System overview 3ZB-120
- Connecting rod 3ZB-140
- Locking point compression latch

- 3ZD-160
  - Rod control 3ZD-180
  - Rod guide 3ZD-200
  - Corner guide 3ZD-220
  - Ramp 1C-170
  - Roller Cam
- Special catalogue HVACR

### Program 1000

- Safety quarter turn 1B-330
- 1B-332
- Handle quarter turn, lockable 1B-560
- to 1B-650

### Program 1125, 1150, 1180, 1225, 1325, 2100, 2225, 3000

- Swinghandle 3B-100
- 3BA-100
- 3C-100
- 3E-100
- 3G-100
- 3H-100
- 3J-100
- 3N-100

### Program 1091

- Handle
- Special catalogue HVACR
- Shafts E1 and E2
- Special catalogue HVACR

# Hinges for prominent door (chapter 4A)

|                   | 4A-120 | 4A-121    | 4A-130 | 4A-133 | 4A-135    | 4A-136 | 4A-137    | 4A-138 | 4A-139 | 4A-140 | 4A-145 | 4A-150 | 4A-160 | 4A-170 | 4A-190 | 4A-210 | 4A-215 |
|-------------------|--------|-----------|--------|--------|-----------|--------|-----------|--------|--------|--------|--------|--------|--------|--------|--------|--------|--------|
| 1 Quarter turns   |        |           |        |        |           |        |           | ●      | ●      |        |        | ●      |        | ●      |        | ●      | ●      |
|                   | ●      | ●         | ●      | ●      | ●         | ●      | ●         |        |        | ●      | ●      | ●      | ●      |        | ●      |        | ●      |
|                   |        |           |        |        |           | ●      | ●         |        |        |        |        |        |        |        |        | ●      |        |
|                   | ●      | ●         | ●      | ●      | ●         |        |           |        |        |        |        |        | ●      | ●      |        |        | ●      |
| 2 Rod controls    |        |           |        |        |           |        |           | ●      | ●      |        |        | ●      |        | ●      | ●      | ●      | ●      |
|                   |        |           |        |        |           |        |           | ●      | ●      |        |        |        |        |        |        | ●      | ●      |
|                   | 120°   | 135°/180° | 120°   | 120°   | 120°/135° | 125°   | 115°/135° | 180°   | 180°   | 180°   | 180°   | 180°   | 180°   | 180°   | 120°   | 180°   | 180°   |
|                   |        | ●         |        |        | ●         |        |           | ●      |        | ●      | ●      | ●      | ●      |        |        |        |        |
| 3 Locking systems |        |           |        |        |           |        |           | ●      | ●      | ●      |        | ●      |        | ●      | ●      | ●      | ●      |
|                   | ●      | ●         | ●      |        | ●         | ●      |           |        |        |        |        | ●      | ●      |        |        | ●      |        |
|                   | ●      |           | ●      | ●      |           | ●      | ●         |        |        |        | ●      | ●      | ●      |        |        | ●      |        |
|                   | ●      | ●         | ●      | ●      | ●         | ●      | ●         | ●      | ●      | ●      | ●      | ●      | ●      | ●      | ●      | ●      | ●      |
| 4 Hinges          |        |           |        |        |           |        |           | ●      | ●      | ●      | ●      | ●      | ●      |        |        | ●      | ●      |
|                   | 20     | 20/22     | 22/26  | 26     | 22/25     | 25     | 24/26     | 20     | 25     | 16/25  | 25     | 20     | 20     | 25     | 25     | 26     | 25     |

# Hinges for flush door and profiles (chapter 4B)

|                     | 4B-120 | 4B-130 | 4B-140 | 4B-160 | 4B-170 | 4B-190 | 4B-200    | 4B-205 | 4B-207 | 4B-210 | 4B-212 | 4B-213 | 4B-215 | 4B-220 | 4B-230 | 4B-240 | 4B-243 |
|---------------------|--------|--------|--------|--------|--------|--------|-----------|--------|--------|--------|--------|--------|--------|--------|--------|--------|--------|
| 5 Seals             |        |        |        | ●      | ●      | ●      | ●         | ●      | ●      | ●      | ●      | ●      | ●      | ●      | ●      | ●      | ●      |
|                     | ●      | ●      | ●      |        |        |        |           |        |        |        |        |        |        |        |        |        |        |
|                     | ●      | ●      | ●      |        |        |        |           |        |        |        | ●      | ●      |        |        |        | ●      | ●      |
| 6 Handles           |        |        |        |        |        |        |           |        |        |        |        |        | 2D     |        |        |        |        |
|                     | ●      | ●      | ●      | ●      | ●      | ●      | ●         | ●      | ●      | ●      | ●      | ●      | ●      | ●      | ●      | ●      | ●      |
|                     | ●      | ●      | ●      |        |        | ●      | ●         | ●      | ●      | ●      | ●      | ●      | ●      | ●      | ●      | ●      | ●      |
|                     | 90°    | 90°    | 180°   | 180°   | 180°   | 180°   | 180°/270° | 180°   | 180°   | 180°   | 180°   | 180°   | 180°   | 180°   | 180°   | 180°   | 160°   |
| 7 Aluminium windows |        |        |        |        |        | ●      | ●         |        | ●      |        |        |        |        |        |        | ●      |        |
|                     |        |        |        |        |        | ●      | ●         | ●      |        | ●      | ●      | ●      | ●      |        | ●      | ●      | ●      |
|                     | ●      | ●      | ●      | ●      | ●      |        |           |        |        | ●      | ●      | ●      |        | ●      |        |        |        |
|                     | ●      | ●      | ●      |        | ●      |        |           |        |        |        |        |        |        |        |        |        |        |
| 8 Miscellaneous     |        |        |        | ●      | ●      | ●      | ●         | ●      | ●      | ●      | ●      | ●      | ●      | ●      | ●      | ●      | ●      |
|                     |        |        |        |        |        | ●      |           |        | ●      |        |        |        |        |        |        | ●      |        |

# Pin hinges (chapter 4C)

|                      | 4C-120 | 4C-130 |  |  |  |  |  |  |  |  |  |  |  |  |  |  |  |
|----------------------|--------|--------|--|--|--|--|--|--|--|--|--|--|--|--|--|--|--|
| 9 Special catalogues |        | ●      |  |  |  |  |  |  |  |  |  |  |  |  |  |  |  |
|                      | ●      |        |  |  |  |  |  |  |  |  |  |  |  |  |  |  |  |
|                      | ●      |        |  |  |  |  |  |  |  |  |  |  |  |  |  |  |  |
|                      | ●      |        |  |  |  |  |  |  |  |  |  |  |  |  |  |  |  |
|                      | ●      |        |  |  |  |  |  |  |  |  |  |  |  |  |  |  |  |

| 4A-220 | 4A-250 | 4A-260  | 4A-280    | 4A-285 | 4A-290 | 4A-295    | 4A-300 | 4A-310 | 4A-450 | 4A-460 | 4A-480 |
|--------|--------|---------|-----------|--------|--------|-----------|--------|--------|--------|--------|--------|
| ●      | ●      | ●       | ●         | ●      | ●      | ●         | ●      | ●      | ●      | ●      |        |
|        |        |         | ●         |        |        |           |        |        |        |        | ●      |
| ●      |        |         |           | ●      | ●      | ●         | ●      |        |        |        | ●      |
|        |        |         |           |        |        |           |        |        |        |        |        |
| ●      | ●      | ●       | ●         | ●      | ●      | ●         | ●      | ●      | ●      | ●      | ●      |
| ●      |        |         |           |        |        | ●         |        |        | ●      | ●      |        |
| ●      |        |         |           |        |        | ●         |        |        | ●      | ●      |        |
| 180°   | 180°   | 180°    | 130°/180° | 180°   | 180°   | 180°      | 180°   | 180°   | 180°   | 180°   | 120°   |
|        |        | ●       |           |        |        |           |        |        |        |        | ●      |
|        |        |         |           | ●      |        |           |        |        |        |        |        |
| ●      |        |         | ●         | ●      |        | ●         |        | ●      | ●      | ●      | ●      |
|        | ●      | ●       | ●         |        | ●      | ●         | ●      | ●      | ●      | ●      |        |
|        | ●      |         |           | ●      |        |           | ●      |        |        |        |        |
|        |        | ●       |           |        |        |           |        |        |        |        |        |
|        |        | ●       | ●         |        | ●      | ●         | ●      | ●      |        |        |        |
| ●      | ●      | ●       | ●         | ●      | ●      | ●         |        | ●      | ●      | ●      | ●      |
| ●      |        |         |           |        |        |           |        |        |        |        |        |
| 20     | x      | x/12-14 | x         | x      | x      | x/18-23.5 | x      | x      | 20/25  | 10/25  | 25     |

## Beschlagteile

|                                       |
|---------------------------------------|
| Prominent hinge                       |
| Concealed hinge                       |
| Lift-off version                      |
| Restricted lift-off version           |
| For single cabinets                   |
| For in-line cabinets with single door |
| For in-line cabinets with double door |
| Opening angle                         |
| For door notch                        |
| Material polyamide                    |
| Material zinc die                     |
| Material m.s.                         |
| Material stainless steel              |
| For pressure-resistant doors          |
| Weld-on hinge                         |
| Screw-on hinge                        |
| Clamping hinge                        |
| Door return                           |

1 Quarter turns  
2 Rod controls  
3 Locking systems  
4 Hinges

| 4B-245 | 4B-248 | 4B-250 | 4B-252 | 4B-253 | 4B-255 | 4B-260 | 4B-280 | 4B-290 | 4B-300 | 4B-320 |
|--------|--------|--------|--------|--------|--------|--------|--------|--------|--------|--------|
| ●      | ●      | ●      | ●      | ●      | ●      | ●      | ●      | ●      | ●      | ●      |
|        |        |        |        |        |        |        |        |        |        |        |
|        |        |        |        |        |        |        |        |        |        |        |
|        |        |        |        |        |        |        |        |        |        |        |
|        | 2D     | 2D     | 3D     | ●      | 3D     | 3D     |        |        |        | ●      |
| ●      | ●      | ●      | ●      | ●      | ●      | ●      | ●      | ●      | ●      | ●      |
| ●      | ●      | ●      | ●      | ●      | ●      | ●      | ●      | ●      | ●      | ●      |
| ●      |        |        |        |        |        |        |        |        |        |        |
| 180°   | 180°   | 180°   | 180°   | 180°   | 180°   | 180°   | 180°   | 180°   | 180°   | 180°   |
|        |        |        |        |        |        |        |        |        |        |        |
| ●      |        |        |        |        |        |        |        | ●      |        |        |
|        | ●      | ●      | ●      | ●      | ●      | ●      | ●      | ●      | ●      |        |
|        |        |        |        |        |        |        |        |        |        |        |
|        |        |        |        |        |        |        | ●      |        |        | ●      |
|        |        |        |        |        |        |        |        |        |        |        |
|        |        |        |        |        |        |        |        |        |        |        |
| ●      | ●      | ●      | ●      | ●      | ●      | ●      | ●      | ●      | ●      | ●      |
|        |        |        |        |        |        |        |        |        |        |        |

|                                       |
|---------------------------------------|
| Prominent hinge                       |
| Concealed hinge                       |
| Lift-off version                      |
| Restricted lift-off version           |
| Adjustable 2D/3D                      |
| For single cabinets                   |
| For in-line cabinets with single door |
| For in-line cabinets with double door |
| Opening angle                         |
| For door notch                        |
| Material polyamide                    |
| Material zinc die                     |
| Material m.s.                         |
| Material stainless steel              |
| For profile rails                     |
| Weld-on hinge                         |
| Screw-on hinge                        |
| Clamping hinge                        |

5 Seals  
6 Handles  
7 Aluminium windows  
8 Miscellaneous

|  |  |  |  |  |  |  |  |  |  |  |
|--|--|--|--|--|--|--|--|--|--|--|
|  |  |  |  |  |  |  |  |  |  |  |
|  |  |  |  |  |  |  |  |  |  |  |
|  |  |  |  |  |  |  |  |  |  |  |
|  |  |  |  |  |  |  |  |  |  |  |
|  |  |  |  |  |  |  |  |  |  |  |
|  |  |  |  |  |  |  |  |  |  |  |
|  |  |  |  |  |  |  |  |  |  |  |
|  |  |  |  |  |  |  |  |  |  |  |
|  |  |  |  |  |  |  |  |  |  |  |
|  |  |  |  |  |  |  |  |  |  |  |
|  |  |  |  |  |  |  |  |  |  |  |

|                          |
|--------------------------|
| Material polyamide       |
| Material m.s.            |
| Material stainless steel |
| Weld-on hinge            |
| Screw-on hinge           |
| Clip-in hinge            |

9 Special catalogues

# Hinge for prominent door

1



Door depicted transparent

1



Door depicted transparent

2



3

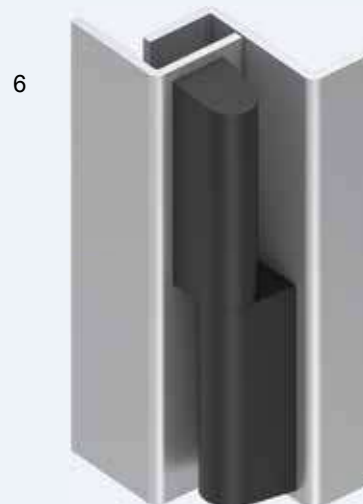
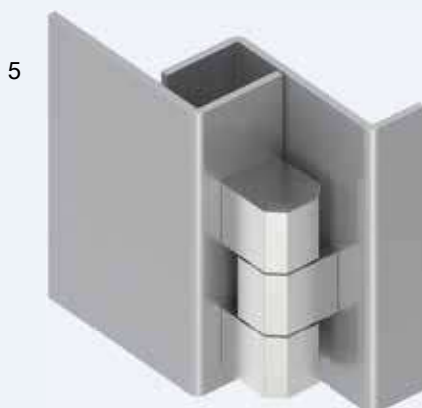
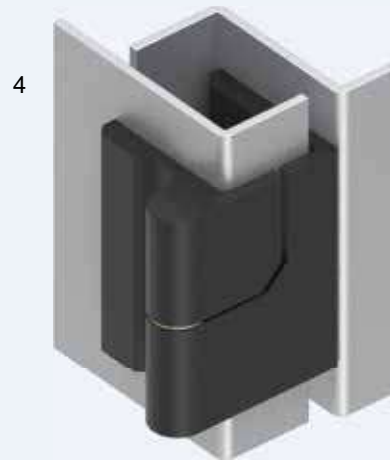
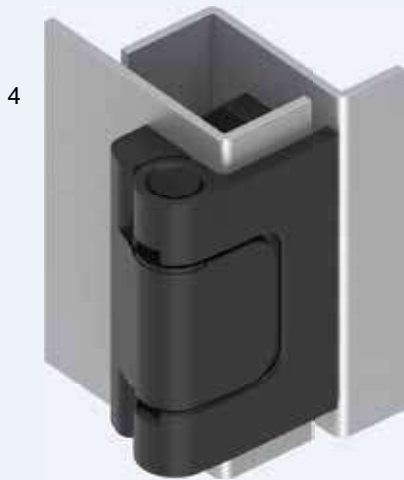


3



3





- 1 120° to 135° Concealed hinge
- 2 120° Concealed hinge and lift-off version
- 3 180° Prominent hinge
- 4 180° Prominent hinge and lift-off version
- 5 180° Prominent hinge
- 6 180° Prominent hinge and lift-off version

- 4A-120 to 4A-135, 4A-140,  
4A-150, 4A-190, 4A-280
- 4A-190
- 4A-138, 4A-150, 4A-160, 4A-450, 4A-460
- 4A-170, 4A-210 to 4A-220
- 4A-250 to 4A-280, 4A-310
- 4A-285 to 4A-300



# 4A-100

### 120° Hinge PROGRAM 1069

Info

1 Quarter turns



2 Rod controls



3 Locking systems



4 Hinges

5 Seals

6 Handles



7 Aluminium windows

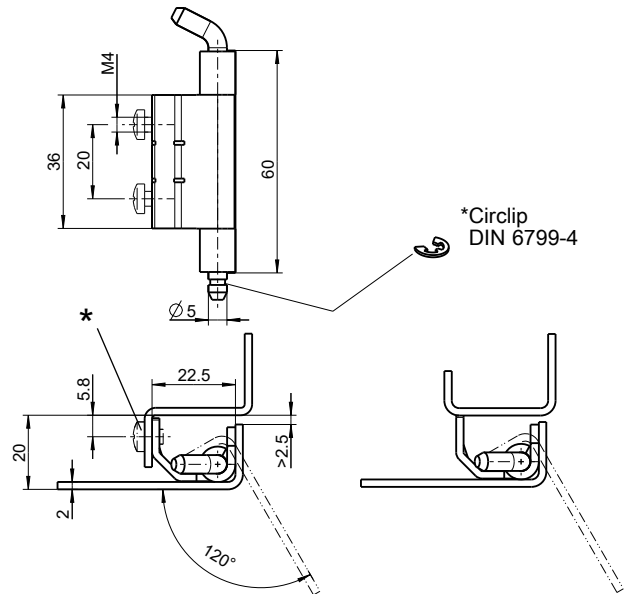
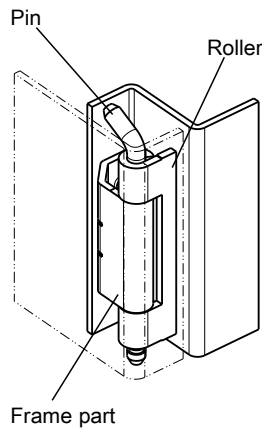
8 Miscellaneous

9 Special catalogues

Index



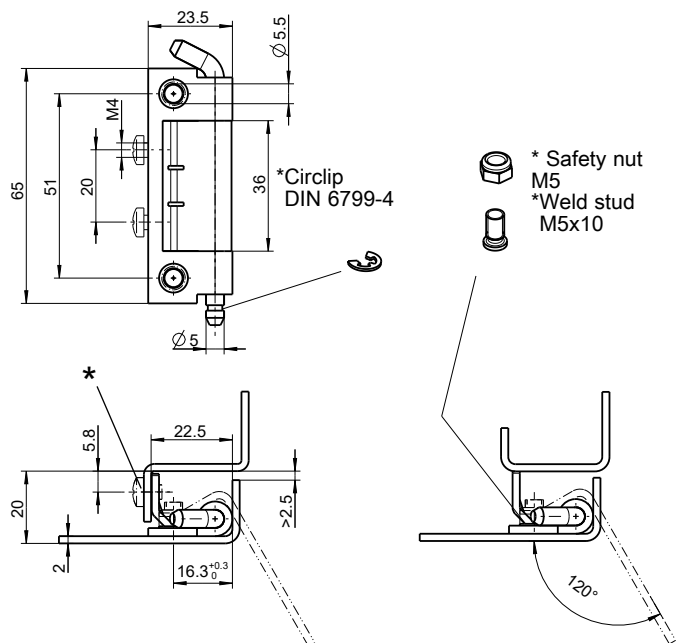
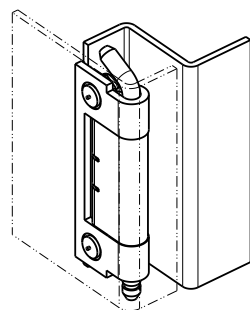
120° Hinge for 20 mm door return



Hinge m.s. zinc-plated or stainless steel, roller m.s. raw or AISI 304

|                   |         |                  |         |
|-------------------|---------|------------------|---------|
| screw-on m.s.     | 1069-U1 | weld-on m.s.     | 1069-U2 |
| screw-on AISI 304 | 1069-U4 | weld-on AISI 304 | 1069-U3 |

120° Hinge for weld stud fixing for 20 mm door return



\*not included in the scope of delivery

Further parts see page  
– Fixing material 8E-100

Hinge m.s. zinc-plated, screw-on

Hinge m. s. zinc-plated, weld-on

1069-U6

Weld-on part m.s. raw

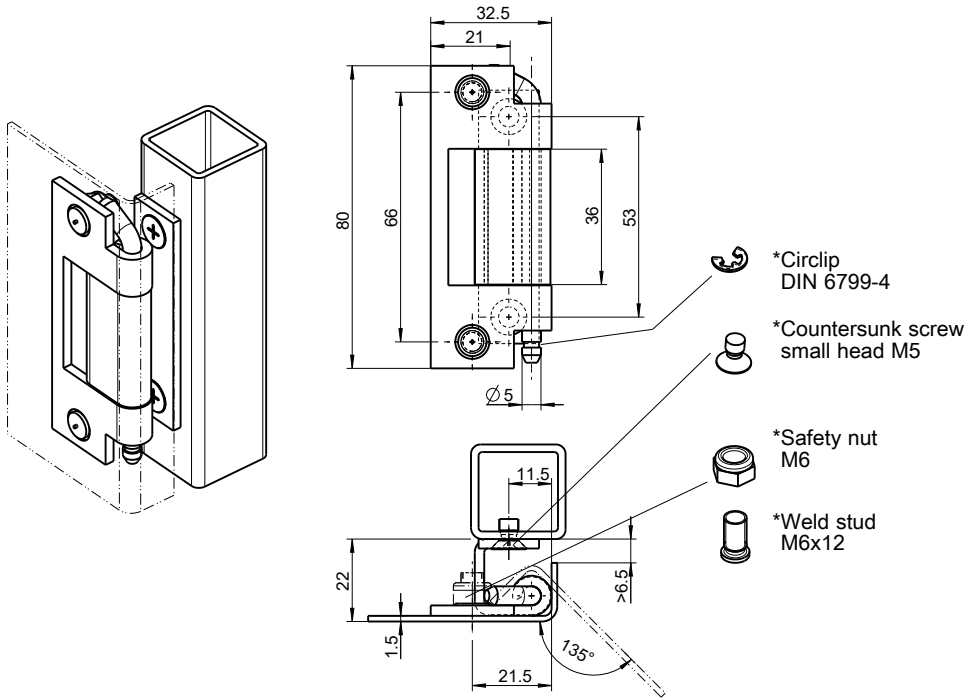
1069-U5



# 135° and 180° Hinge

## PROGRAM 1032, 1110

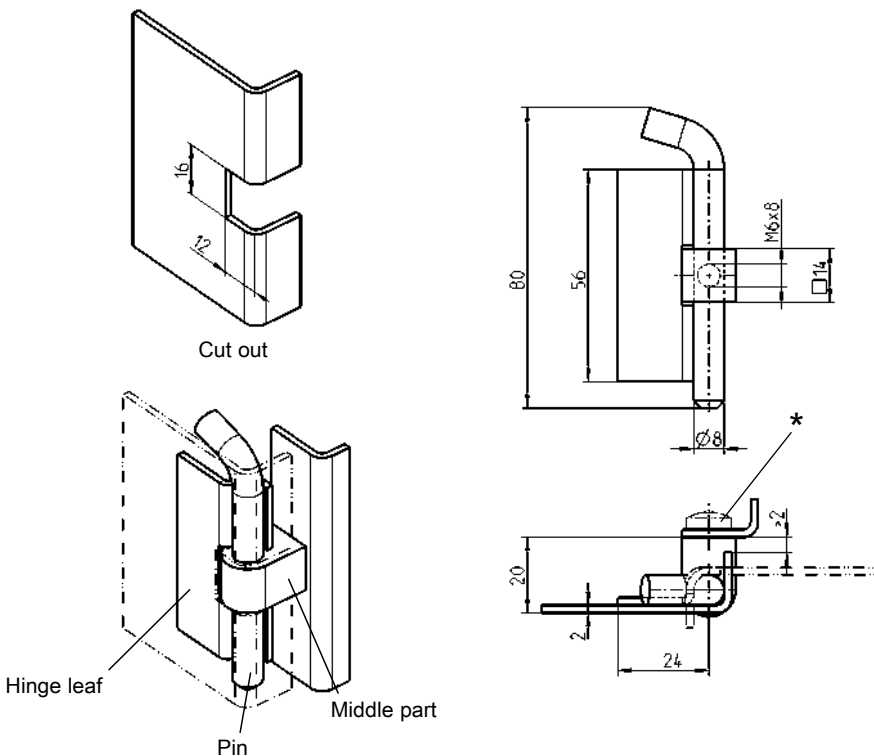
135° Hinge for 22 mm door return



Hinge m.s. zinc-plated

1032-U6

180° Hinge for 20 mm door return



Hinge m.s. zinc-plated; weld-on parts raw

1110-U1



1 Quarter turns

2 Rod controls

3 Locking systems

4 Hinges

5 Seals

6 Handles

7 Aluminium windows

8 Miscellaneous

9 Special catalogues

Index



Small head = DIN ISO 2009, 2010, 7046-1, 7046-2, 7047



\*not included in the scope of delivery

Further parts see page  
– Fixing material

8E-100

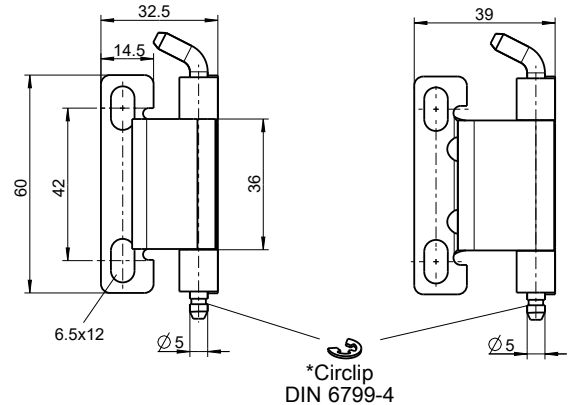
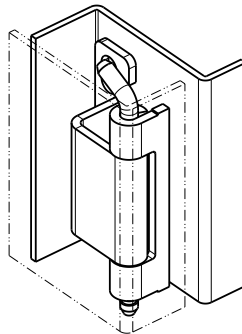
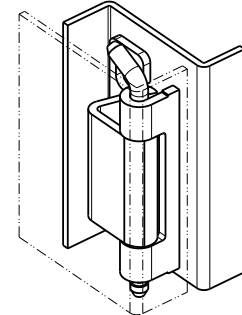
### 120° Hinge PROGRAM 1032

Info  
1 Quarter turns  
2 Rod controls  
3 Locking systems  
4 Hinges  
5 Seals  
6 Handles  
7 Aluminium windows  
8 Miscellaneous  
9 Special catalogues  
Index

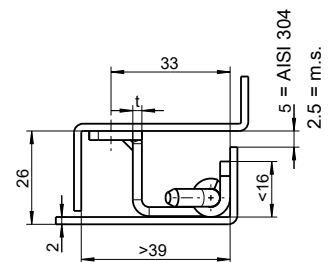
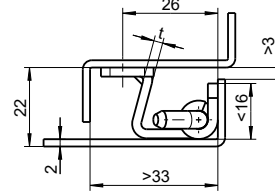


120° Hinge for 22 or 26 mm door return

STAINLESS STEEL



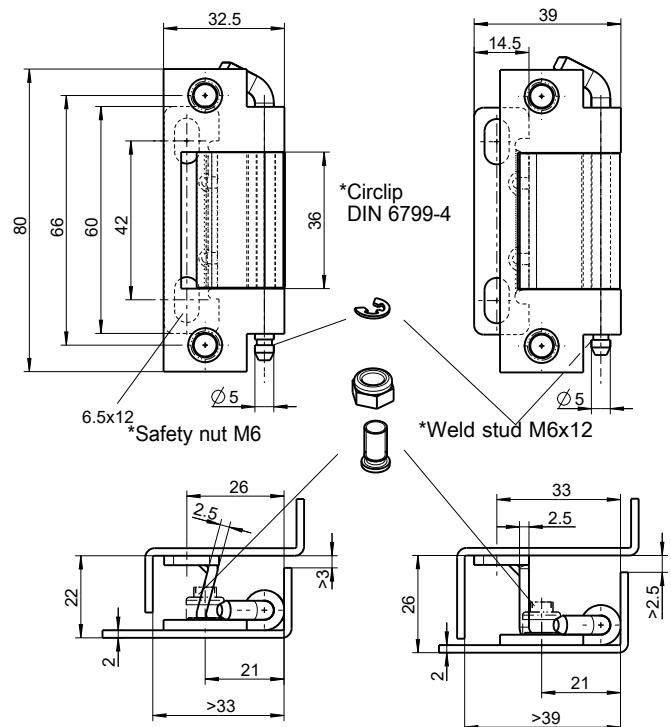
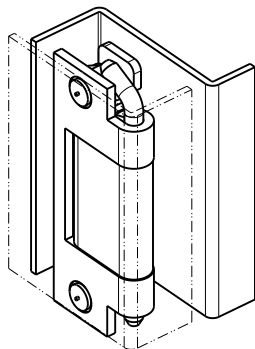
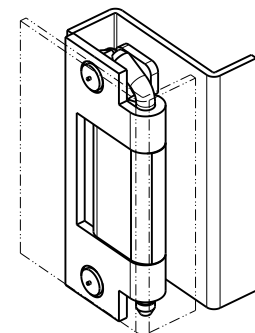
m.s. t = 2.50  
Stainless steel t = 2.25



#### 120° Hinge m.s. zinc-plated or stainless steel, roller m.s. raw or AISI 304

|                |         |                |         |
|----------------|---------|----------------|---------|
| m.s. (Dim. 22) | 1032-U1 | m.s. (Dim. 26) | 1031-U1 |
| AISI (Dim. 22) | 1032-U2 | AISI (Dim. 26) | 1031-U2 |

#### 120° Hinge for weld stud fixing for 22 or 26 mm door return



\*not included in the scope of delivery

Further parts see page  
– Fixing material 8E-100

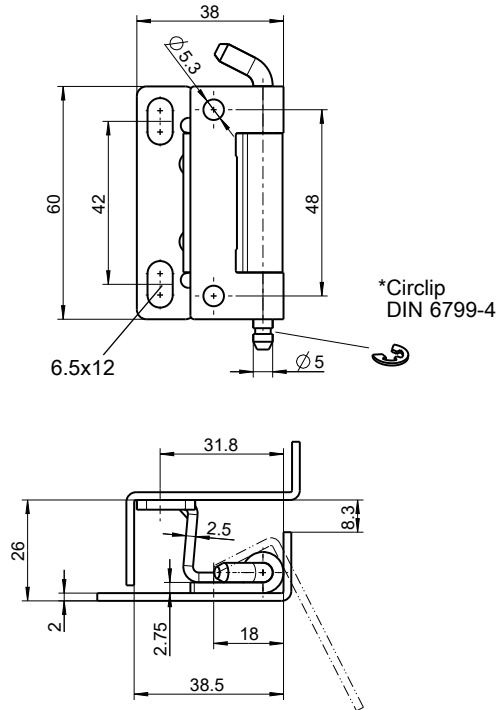
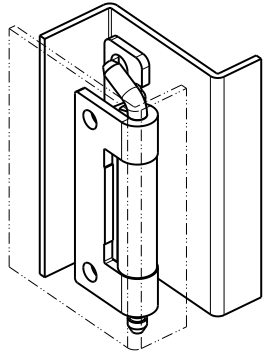
#### Hinge m.s. zinc-plated

|           |         |           |          |
|-----------|---------|-----------|----------|
| (Dim. 22) | 1032-U5 | (Dim. 26) | 1031-U10 |
|-----------|---------|-----------|----------|

# 120° Hinge, 170° Hinge with captive pin

## PROGRAM 1031

120° Hinge for 26 mm door return



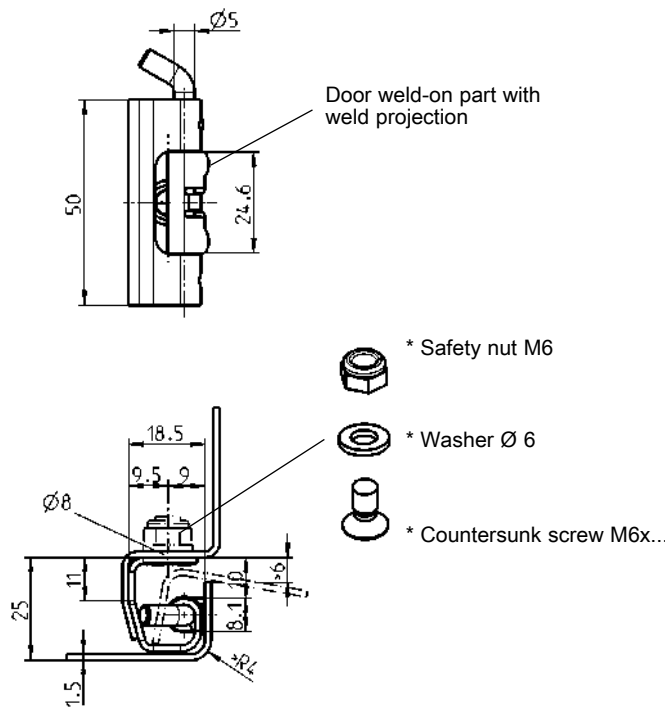
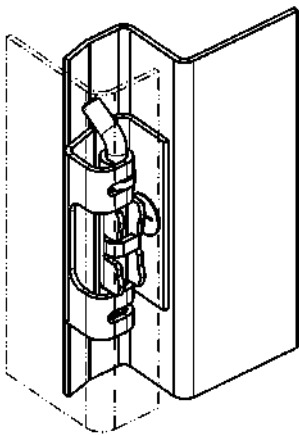
AISI INOX



120° Hinge AISI 304

1031-U17-PC

170° Hinge for 25 mm door return



\*not included in the scope of delivery

170° Hinge m.s. zinc-plated; door weld-on part m.s. raw; pin clamping ring POM red

1031-U16

Info

1 Quarter turns



2 Rod controls



3 Locking systems



4 Hinges

5 Seals

6 Handles

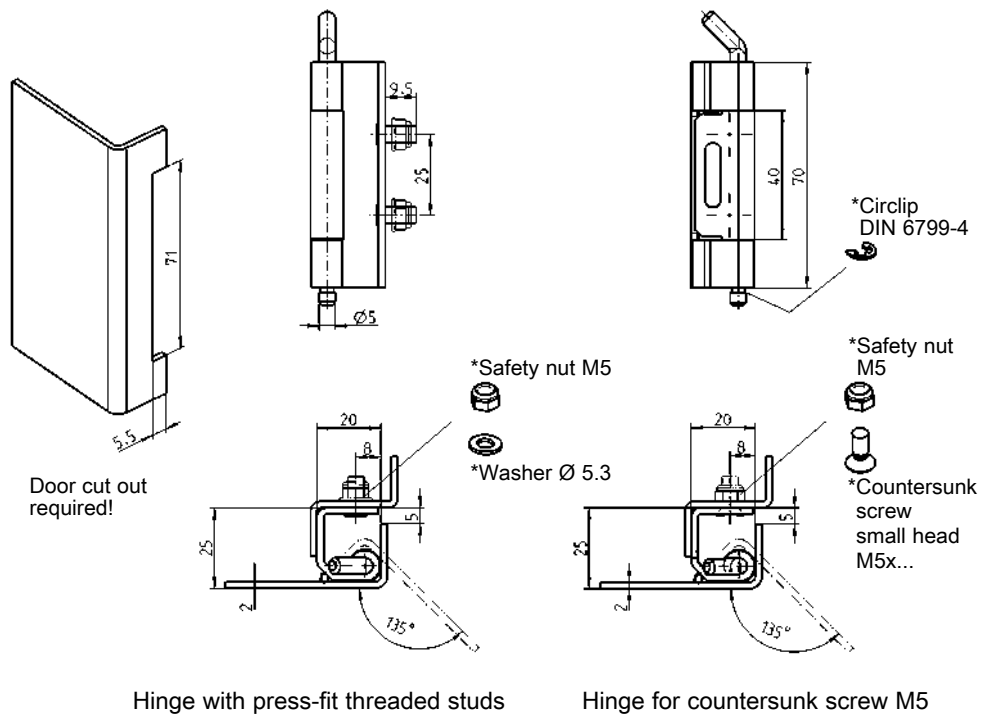
7 Aluminium windows

8 Miscellaneous

9 Special catalogues

Index

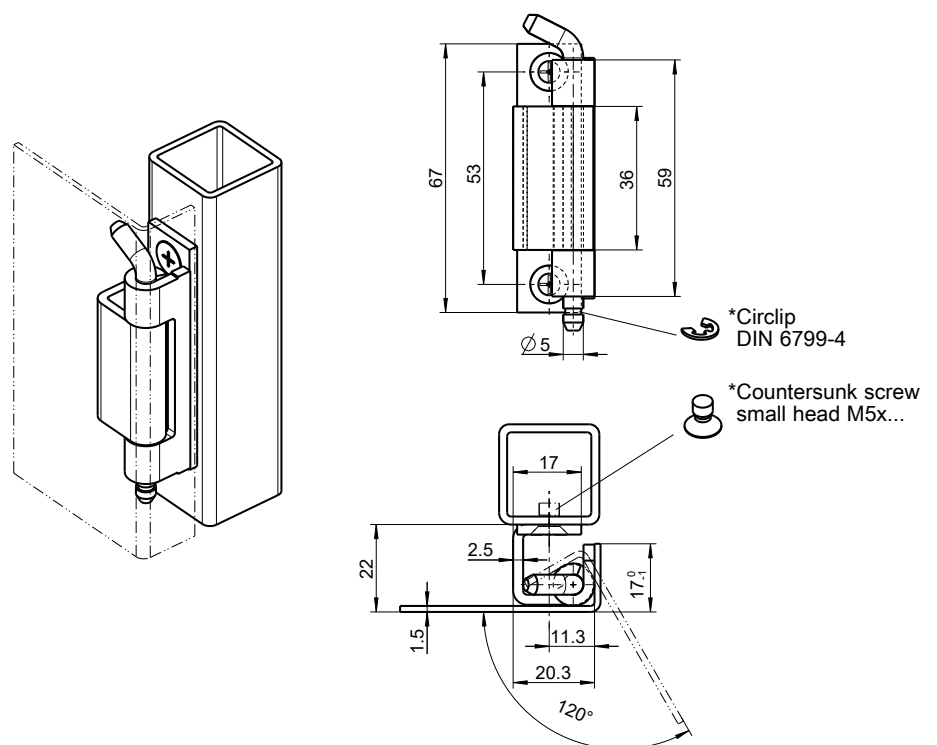
### 135° Hinge for 25x20 mm door return



### 135° Hinge

|  |         |
|--|---------|
| Frame part m.s. zinc-plated; roll m.s. raw; pin m.s. zinc-plated; threaded studs m.s. zinc-plated<br>with press-fit threaded studs M5x12 | 1069-U7 |
| for countersunk small head M5  | 1069-U8 |

### 120° Hinge for 22 mm door return



### 120° Hinge

Frame part m.s. zinc-plated; roll m.s. raw; pin m.s. zinc-plated

1031-U7

\*not included in the scope of delivery

Small head = DIN ISO 2009, 2010, 7046-1, 7046-2, 7047

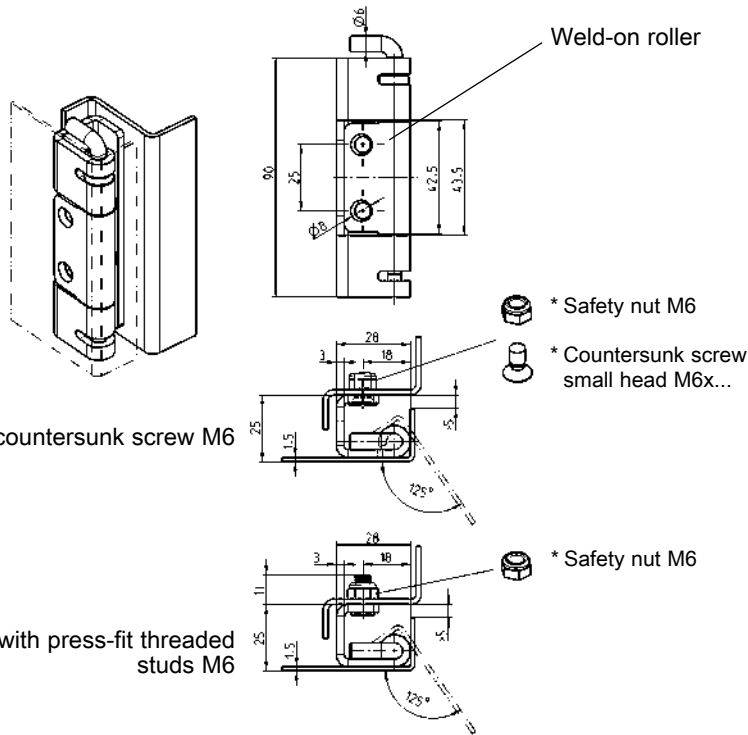
Further parts see page  
– Fixing material

8E-100

# 125° Hinge with captive pin

## PROGRAM 1031

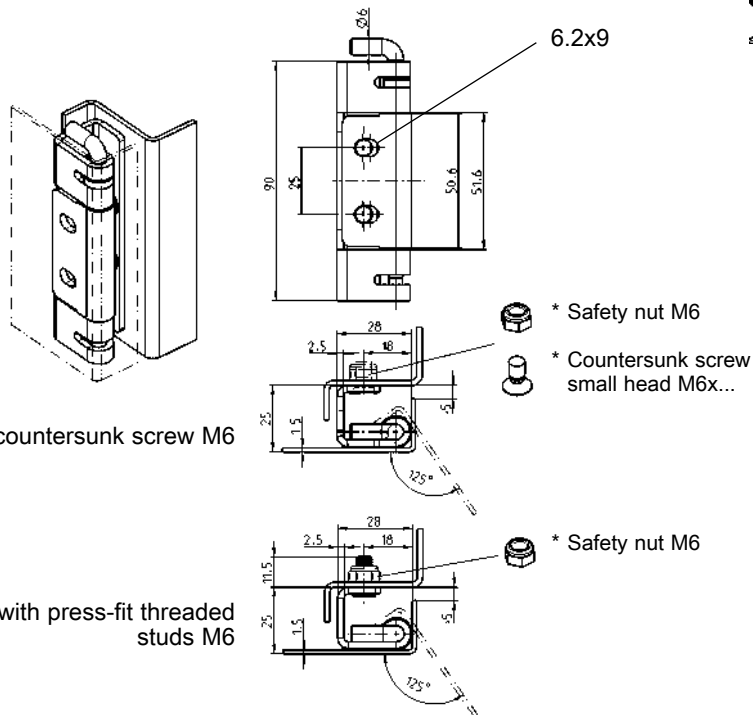
125° Hinge for single cabinets for 25 mm door return



Frame part, pin and threaded studs m.s. zinc-plated; door part m.s. raw; pin clamping ring POM red

|                                     |          |
|-------------------------------------|----------|
| for countersunk small head M6       | 1031-U12 |
| with press-fit threaded studs M6x15 | 1031-U19 |

125° Hinge for single cabinets for 25 mm door return



125° Hinge AISI 304 or AISI 316Ti; threaded studs stainless steel; pin clamping ring POM red

|            |                                     |          |
|------------|-------------------------------------|----------|
| AISI 304   | for countersunk small head M6       | 1031-U13 |
| AISI 316Ti | for countersunk small head M6       | 1031-U22 |
| AISI 304   | with press-fit threaded studs M6x15 | 1031-U20 |

© EMKA Beschlagteile GmbH & Co. KG • 2021 • www.emka.com



\* not included in the scope of delivery

Small head = DIN ISO 2009, 2010, 7046-1, 7046-2, 7047

Info

1 Quarter turns



2 Rod controls



3 Locking systems



4 Hinges

5 Seals

6 Handles

7 Aluminium windows

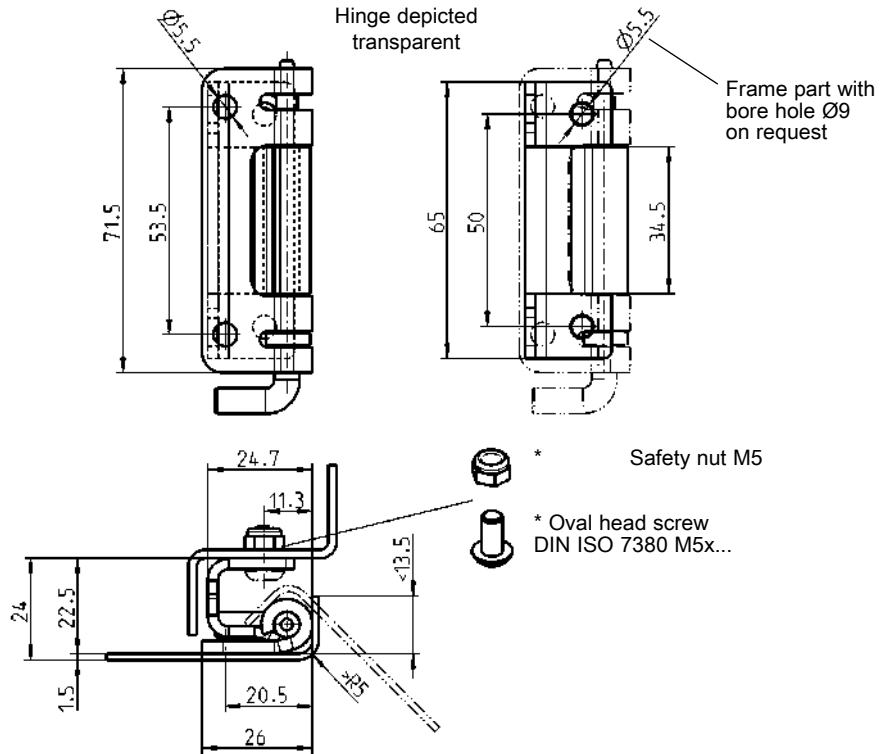
8 Miscellaneous

9 Special catalogues

Index



135° Hinge for single cabinets for 24 mm door return

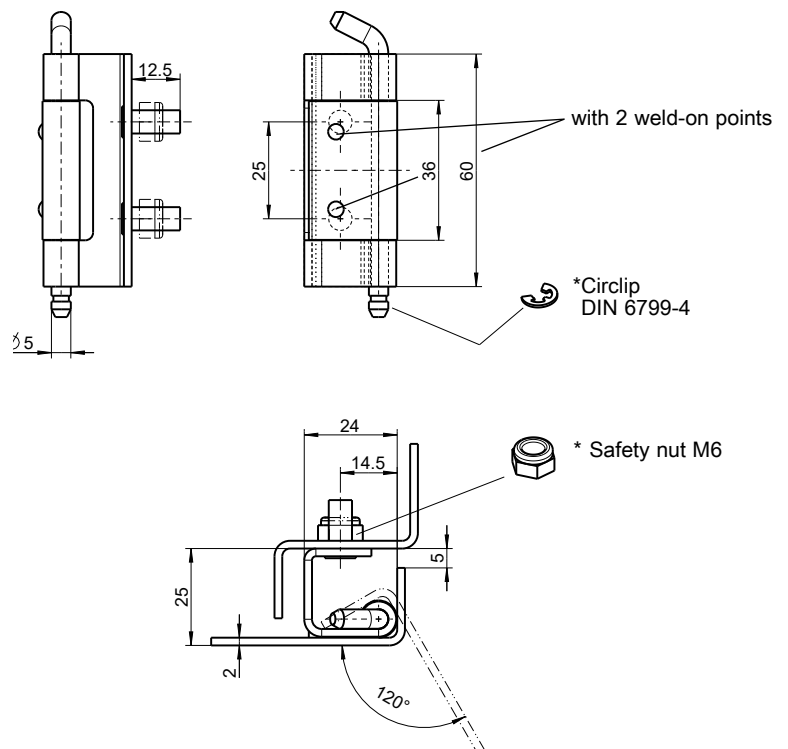


135° Hinge AISI 304; pin AISI 303; shaft clamping ring POM red

Fixing points according to common standards

1031-U15

120° Hinge for single cabinets for 25 mm door return



120° Hinge

Frame part m.s. zinc-plated; roll m.s. raw; pin m.s. zinc-plated

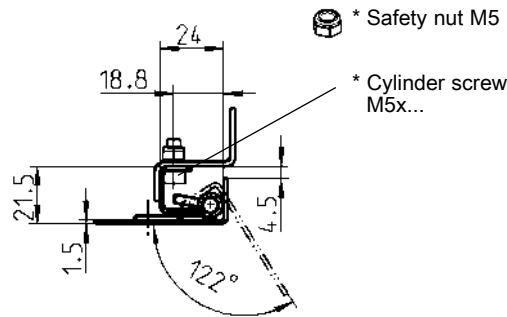
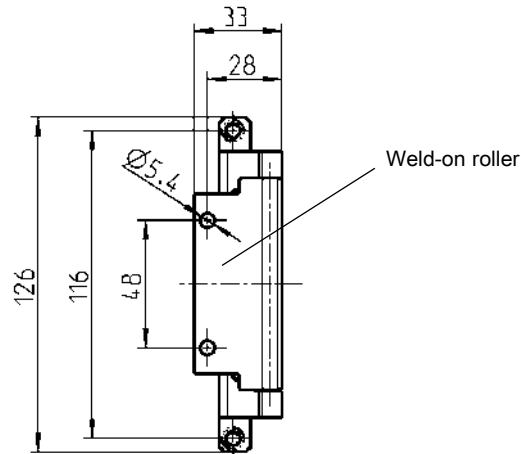
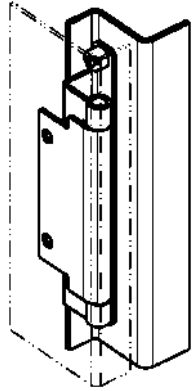
1031-U21

\* not included in the scope of delivery

# 115° and 122° Hinge with captive pin

## PROGRAM 1031

122° Hinge for single cabinets for 22 mm door return



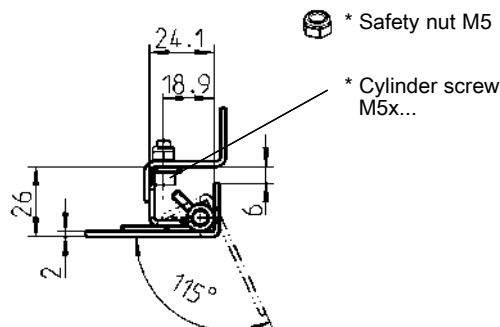
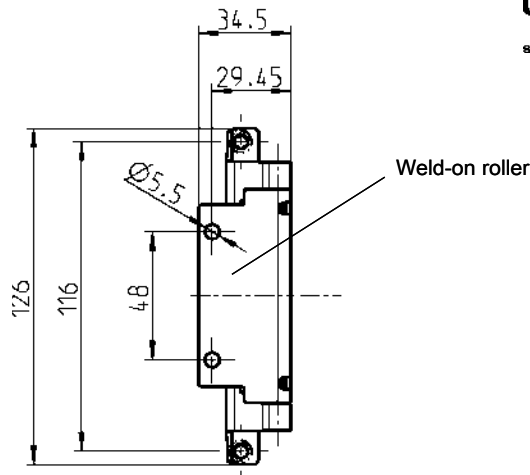
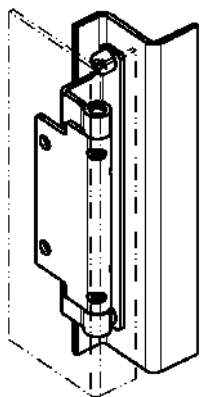
### Product benefits

- Can be hinged and unhinged without tools

122° Hinge m.s. zinc-plated, with spring

1031-U18

115° Hinge for single cabinets for 26 mm door return



### Product benefits

- Can be hinged and unhinged without tools

115° Hinge AISI 304

1031-U14



\* not included in the scope of delivery

## 180° Hinge PROGRAM 1110

180° Hinge for inline cabinets with double doors for 20 mm door return



Version A



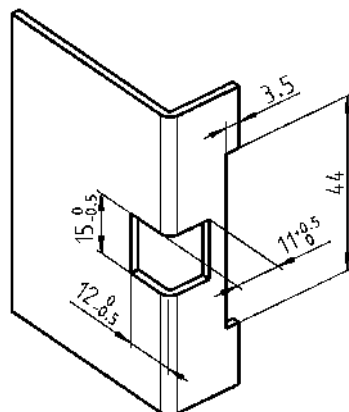
Version B



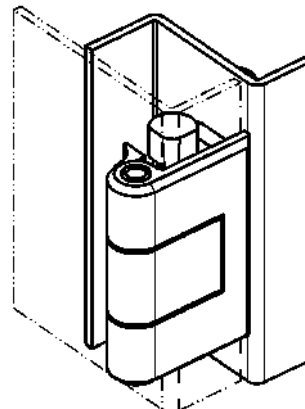
Version C



Version D

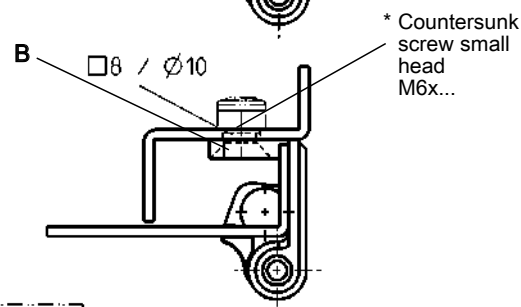
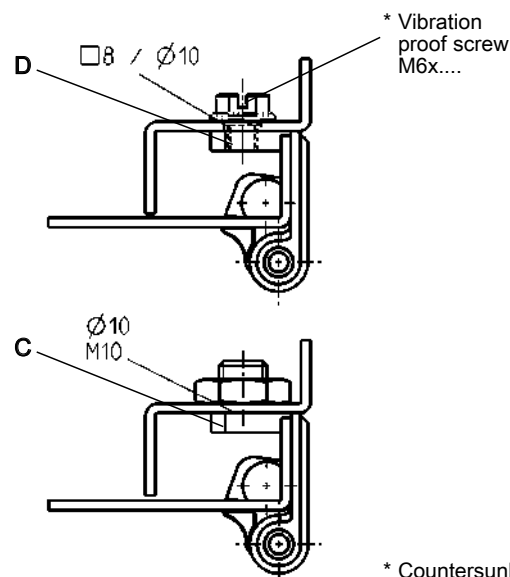
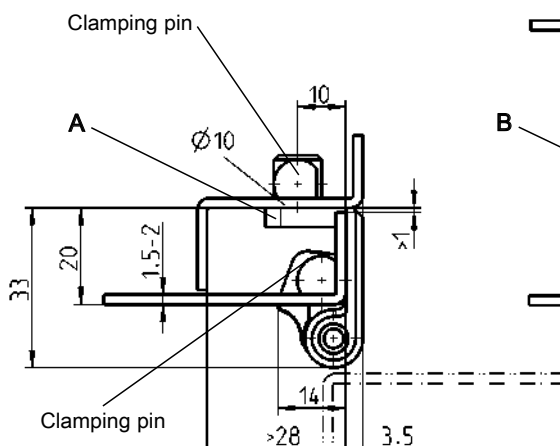
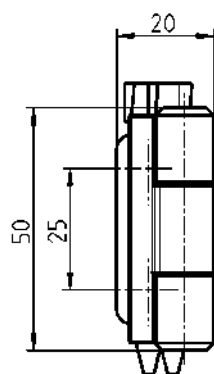


Cut out



**Assembly:**

Hinge is fixed by driving in the clamping pin.



\*not included in the scope of delivery

Small head = DIN ISO 2009, 2010, 7046-1, 7046-2, 7047

Further parts see page  
– Fixing material

8E-100

Hinge zinc die surface of choice; fixing material polyamide GF black; pin stainless steel; washer and nut m.s. zinc-plated

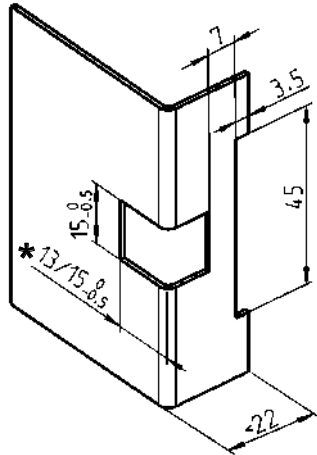
|           | black powder-coated | chrome-plated |
|-----------|---------------------|---------------|
| Version A | 1110-U128           | on request    |
| Version B | 1110-U130           | 1110-U130-IA  |
| Version C | 1110-U129           | on request    |
| Version D | 1110-U127           | on request    |



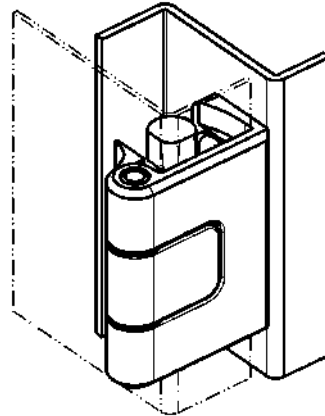
# 180° Hinge

## PROGRAM 1110

180° Hinge for inline cabinets with double doors for 25 mm door return

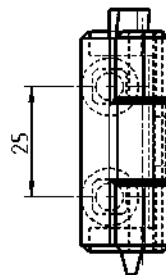
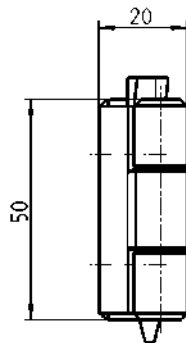


Cut out

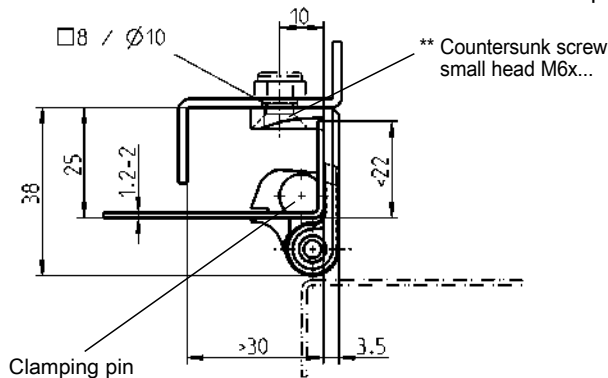


**Assembly:**  
Hinge is fixed by driving in the clamping pin.

- \* Door thickness 1.2-1.5=13 mm
- Door thickness 1.5-2.0=15 mm



Hinge depicted transparent



Clamping pin



Info

1 Quarter turns

2 Rod controls

3 Locking systems

4 Hinges

5 Seals

6 Handles

7 Aluminium windows

8 Miscellaneous

9 Special catalogues

Index



\*\* not included in the scope of delivery

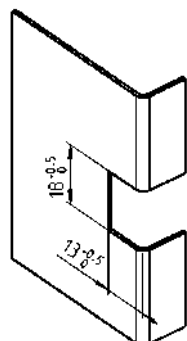
Small head = DIN ISO 2009, 2010, 7046-1, 7046-2, 7047

Hinge zinc die black powder-coated; fixing pin polyamide GF black; pin stainless steel; washer m.s. zinc-plated

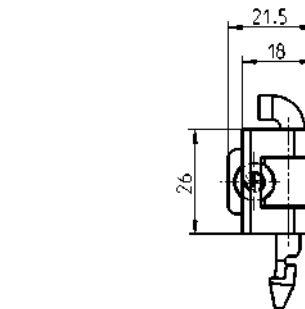
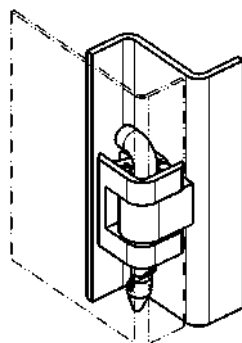
1110-U140

### 180° Hinge PROGRAM 1110

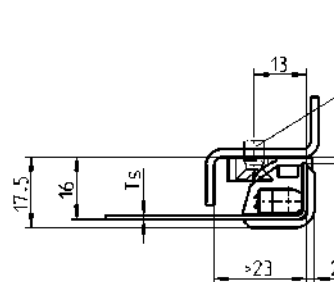
180° Plastic hinge for single cabinets with 16 mm door return



Cut out



\*Countersunk screw smaller head M5x...or blind rivet Ø 5



180° Hinge polyamide GF black; pin polyamide black

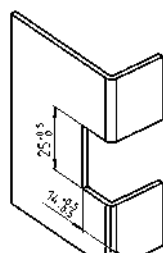
Ts 1.0 - 1.25 mm

1110-U23

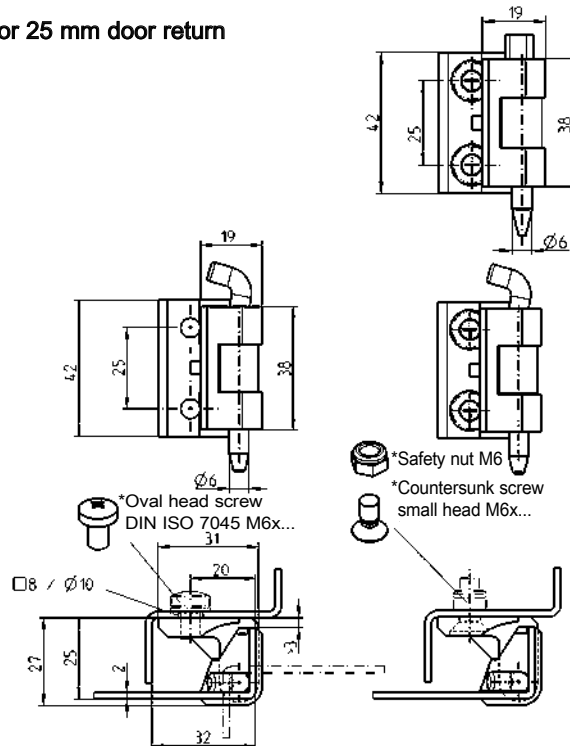
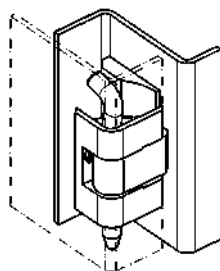
Ts 1.5 - 2.0 mm

1110-U24

180° Hinge for single cabinets for 25 mm door return



Cut out



180° Hinge zinc die; pin m.s. zinc-plated

chrome-plated

black powder-coated

Locking slug M6

1110-U20

1110-U22

Countersunk hole M6 (2D-nut possible)

1110-U19

1110-U21

180° Hinge polyamide GF black; pin polyamide black

Countersunk hole M6 (2D-nut possible)

1110-U125

\*not included in the scope of delivery

Small head = DIN ISO 2009, 2010, 7046-1, 7046-2, 7047

Further parts see page

- 2D Nut

8E-120

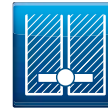
- Fixing material

8E-100

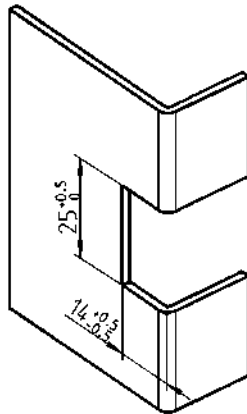
# 180° Hinge

## PROGRAM 1110

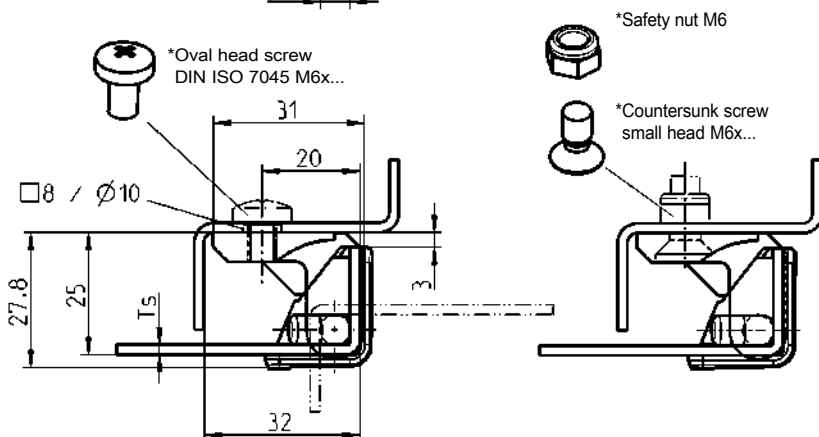
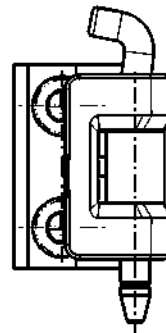
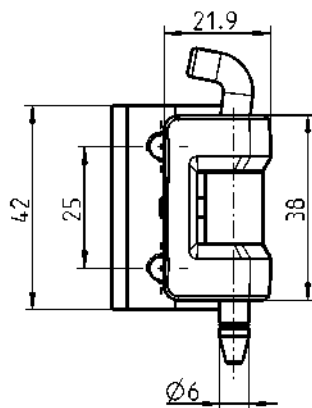
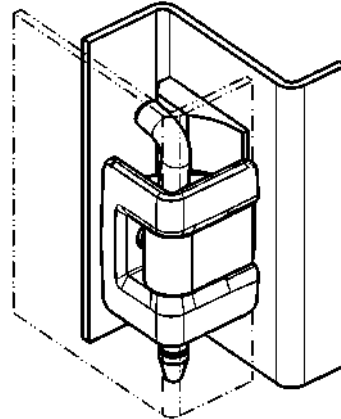
180° Hinge for single cabinets for 25 mm door return



**AISI INOX**



Cut out



\*Safety nut M6

\*Countersunk screw small head M6x...



180° Hinge AISI 316; pin AISI 303

Ts 0.8 – 1.0

Ts 1.5 – 2.0

Locking slug M6

1110-U134

1110-U135

Countersunk hole M6 (2D-nut possible)

1110-U136

1110-U137

© EMKA Beschlagteile GmbH & Co. KG • 2021 • www.emka.com

\*not included in the scope of delivery

Small head = DIN ISO 2009, 2010, 7046-1, 7046-2, 7047

Further parts see page – 2D Nut

8E-120

### 180° Hinge PROGRAM 1110

Info

1 Quarter turns

2 Rod controls

3 Locking systems

4 Hinges

5 Seals

6 Handles

7 Aluminium windows

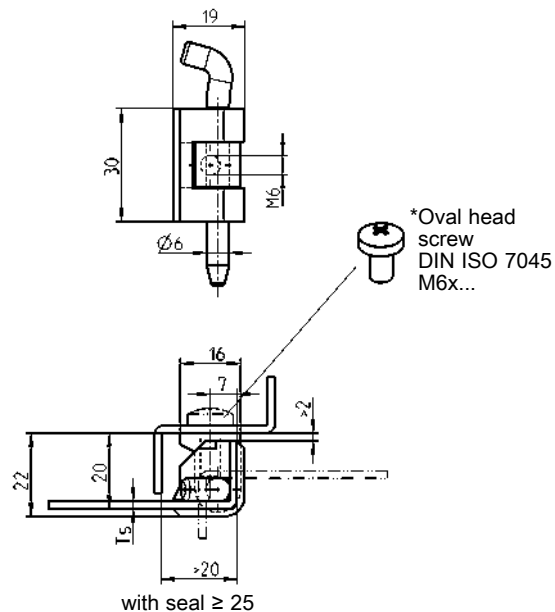
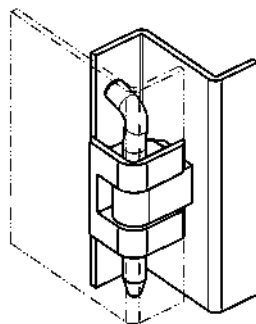
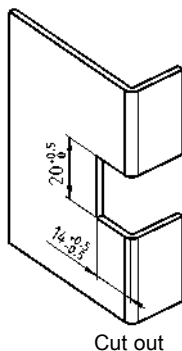
8 Miscellaneous

9 Special catalogues

Index



180° Hinge for single cabinets for 20 mm door return

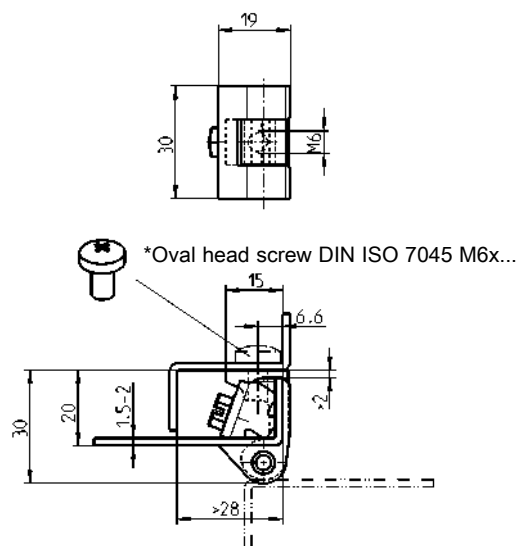
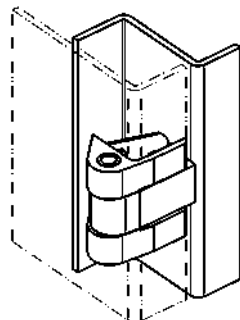
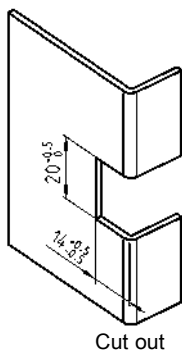


180° Hinge zinc die and pin m.s. zinc-plated or AISI 316 and pin 303

|                              | Ts 0.8 – 1.0 | Ts 1.5 – 2.0 |
|------------------------------|--------------|--------------|
| Zinc die chrome-plated       | –            | 1110-U2      |
| Zinc die black powder-coated | –            | 1110-U3      |
| AISI 316                     | 1110-U51     | 1110-U50     |



180° Hinge for in-line cabinets with single doors for 20 mm door return



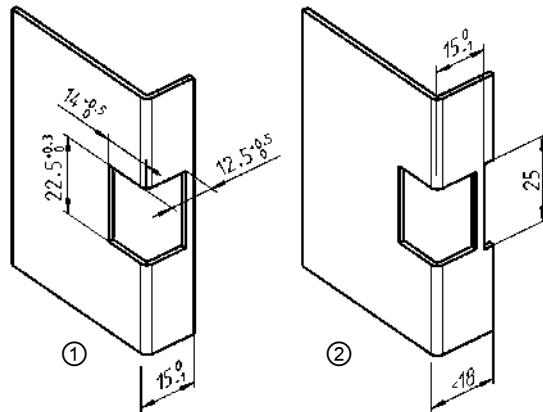
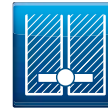
180° Hinge zinc die or AISI 316; pin m.s. zinc-plated or AISI 304;  
Fixing material m.s. zinc-plated or AISI 303

|                              |             |
|------------------------------|-------------|
| Zinc die chrome-plated       | 1110-U4-N   |
| Zinc die black powder-coated | 1110-U5-N   |
| AISI 316                     | 1110-U5-NPH |

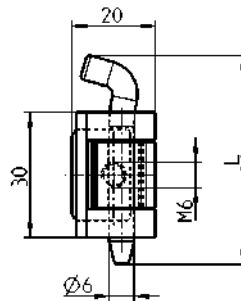
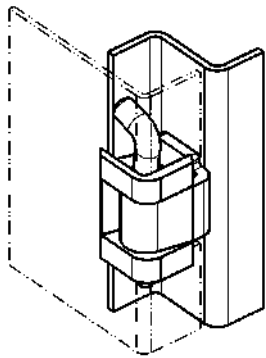
\*not included in the scope of delivery

# 180° Hinge PROGRAM 1110

180° Hinge for single cabinets for 20 mm door return



Cut out of choice



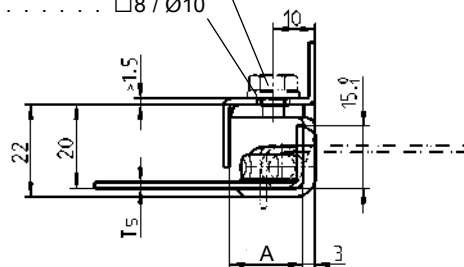
Pin length ①; L = 50  
Pin length ②; L = 66

\* for zinc die / m.s. version:  
locking screw 1000-277-02JB (M6x6)

\* for stainless steel version:  
washer DIN ISO 7089 - 6 and  
hexagon head screw DIN ISO 4017 M6 x 6

for metal gauge 1.5

Zinc-die / m.s. . . . . Ø 6.2  
Stainless steel: . . . . . □8 / Ø10



Cut out ①; A = 17.5  
Cut out ②; A = >19



Frame part with  
thread M6 and  
centering bolt

180° Hinge, door part zinc die black powder-coated;  
frame part m.s. black powder-coated; pin ① m.s. zinc-plated

Ts 1.5 – 2.0 1110-U141

180° Hinge AISI 316; pin ② AISI 303

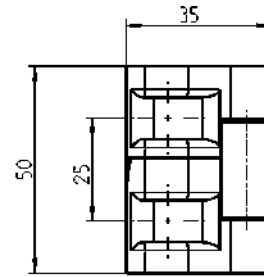
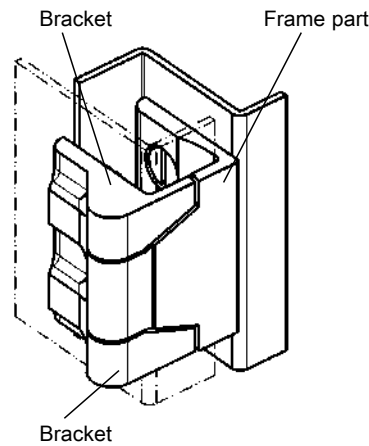
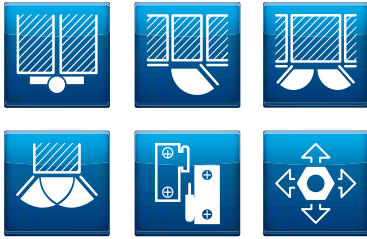
Ts 1.5 1110-U131

Ts 2.0 1110-U132

\* not included in the scope of delivery

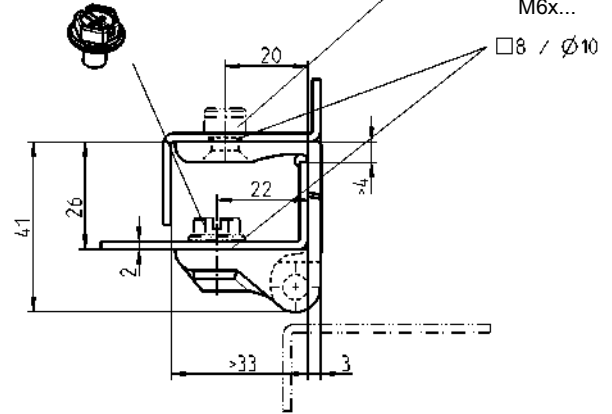
### 180° Hinge PROGRAM 1110

180° Hinge for in-line cabinets with single door,  
135° Lift-off version for 25 mm door return



\*Vibration proof screw 1000-277-03JB (M6x8)

- \* Safety nut M6
- \* Countersunk screw small head M6x...



180° Hinge zinc die; pins stainless steel and washers brass

|                     |          |
|---------------------|----------|
| black powder-coated | 1110-U52 |
| chrome-plated       | 1110-U53 |

180° Hinge for in-line cabinets with single door, lift-off version, for 25 mm door return

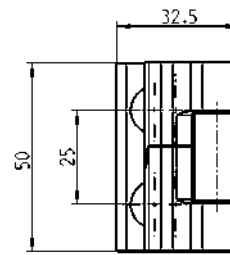
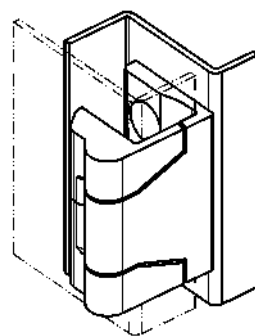


**Note:**  
Can be lifted off by removing the lower bracket

\*not included in the scope of delivery

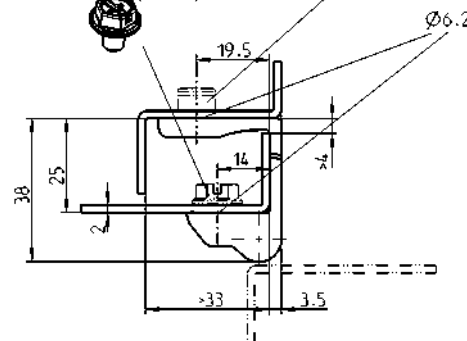
Small head = DIN ISO 2009, 2010, 7046-1, 7046-2, 7047

Further parts see page  
- 2D Nut 8E-120  
- Fixing material 8E-100



\*Vibration proof screw 1000-277-03JB (M6x8)

- \* Safety nut M6
- \* Countersunk screw small head M6x...



If a reduced gap is required between the door and frame of approx 1-2 mm, then a cut out is required. The deeper the cut out, the closer the door can be to the frame.

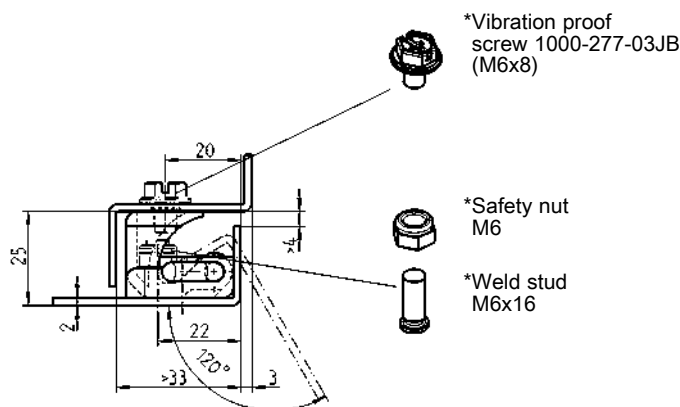
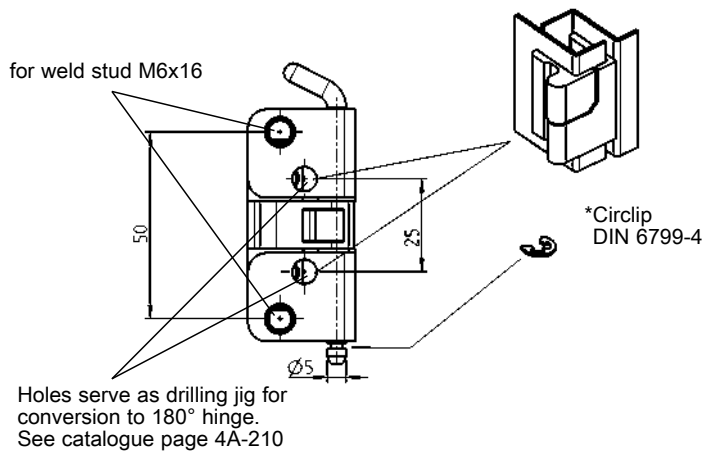
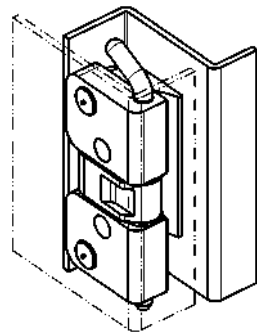
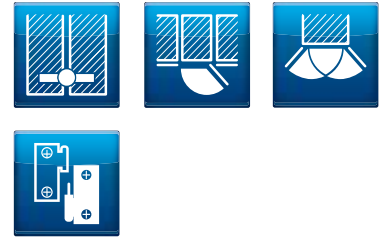
180° Hinge zinc die black powder-coated;  
hinge pin m.s. zinc-plated; washer brass

1110-U123

# 120° Hinge

## PROGRAM 1110

120° Hinge for in-line cabinets with single doors for 25 mm door return



Also available in chrome-plated and other RAL colours on request.

\*not included in the scope of delivery

120° Hinge zinc die black powder-coated; pin m.s. zinc-plated

Further parts see page  
– Fixing material

8E-100

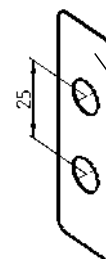
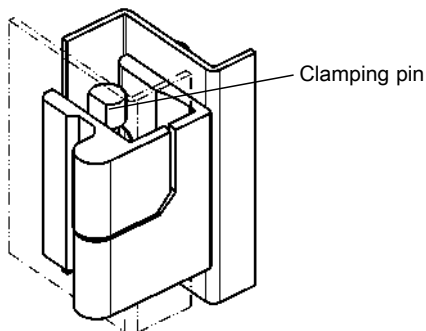
1110-U86

### 180° Hinge PROGRAM 1110

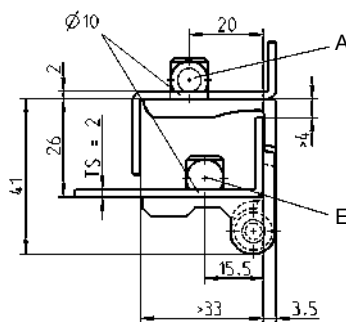
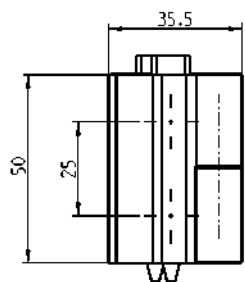
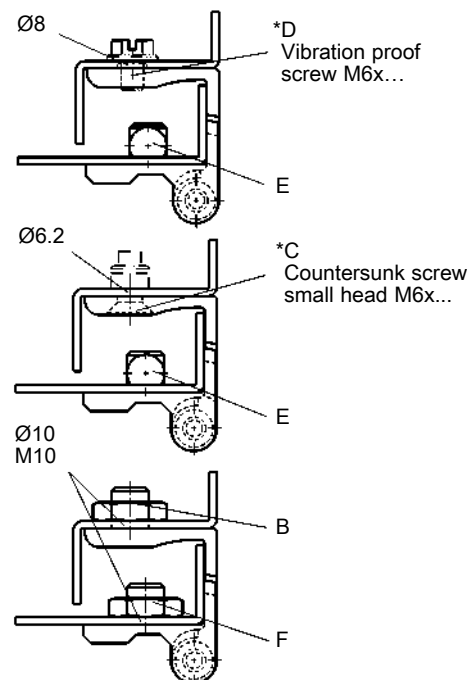


180° Hinge for in-line cabinets with double doors, lift-off from 70° opening angle, for 26 mm door return

Version for  
Ts = 2



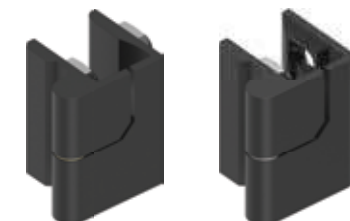
Support plate has to be ordered sep. for different door gauges (1x per clamping pin)



Version A+E      Version C+E



Version C+E      Version D+E



Version B+F      Version C+F

\* not included in the scope of delivery

\*\* 2D nut possible

**Note:**  
Detachable from 70° opening angle, but not with hinge bracket made of m.s. and AISI

Small head = DIN ISO 2009, 2010, 7046-1, 7046-2, 7047

Further parts see page  
- 2D Nut                      8E-120  
- Fixing material            8E-100

180° Hinge zinc die black powder-coated; fixing pin Polyamide GF black; hinge pin stainless steel and washer brass; nut m.s. zinc-plated

| Version     | Left      | Right     |
|-------------|-----------|-----------|
| A+E         | 1110-U71  | 1110-U68  |
| C+E ** (2D) | 1110-U69  | 1110-U66  |
| D+E         | 1110-U70  | 1110-U67  |
| B+F         | 1110-U109 | 1110-U106 |
| C+F ** (2D) | 1110-U107 | 1110-U104 |
| D+F         | 1110-U108 | 1110-U105 |

180° Hinge; frame part m.s. black powder-coated; hinge bracket zinc die black powder-coated; fixing pin polyamide GF black; hinge pin stainless steel; nut m.s. zinc-plated

| Version                    | Left         | Right        |
|----------------------------|--------------|--------------|
| C+E ** (2D)                | 1110-U118    | 1110-U119    |
| C+F ** (2D)                | 1110-U120    | 1110-U121    |
| <b>180° Hinge AISI 316</b> |              |              |
| C+F ** (2D)                | 1110-U120-PH | 1110-U121-PH |

Support plate 304 (1x per clamping pin)

|            |            |
|------------|------------|
| for Ts 1.0 | 1110-39-01 |
| for Ts 1.5 | 1110-39    |

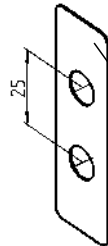
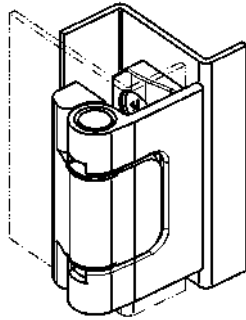


# 180° Hinge

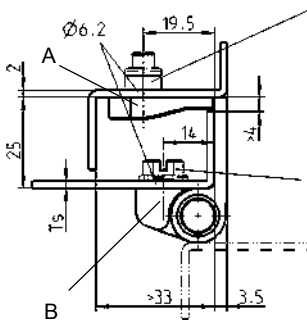
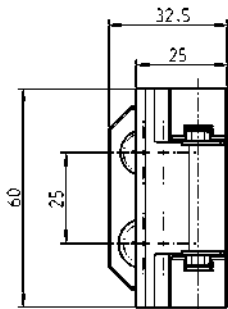
## PROGRAM 1110

180° Hinge for in-line cabinets with single doors can be unhinged at 90° opening angle, for 25 mm door return

Version for  
Ts = 1.5 - 1.8 and 2



Support plate has to be ordered sep. for different door gauges (1x per clamping pin)



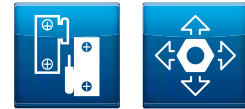
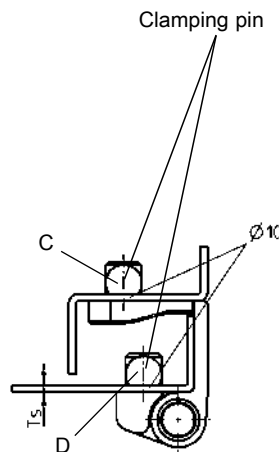
\* Safety nut M6



\*Countersunk screw small head M6x...



\*Vibration proof screw 1000-277-02JB (M6x6)



180° Hinge zinc die black powder-coated; fixing pin polyamide GF black; hinge pin and washer polyamide GF black

| Version                         | Ts = 2.0  |
|---------------------------------|-----------|
| A+B, screw-on (2D nut possible) | 1110-U122 |
| C+D, clamp-on                   | 1110-U126 |

180° Hinge; frame part zinc die black powder-coated; hinge part polyamide 66 GF 50 black; fixing pin polyamide GF black; hinge pin and washer polyamide GF black

| Version                                    | Ts = 1.5 - 1.8 |
|--|----------------|
| A+D, screw-on and clamp-on (2D nut usable) | 1110-U133      |

| Support plate 304 (1x per clamping pin)              |            |
|--|------------|
| for Ts 1.0 (1110-U126); for Ts 0.8 (1110-U133)       | 1110-39-01 |
| for Ts 1.5 (1110-U126); for Ts 1.0 - 1.3 (1110-U133) | 1110-39    |

© EMKA Beschlagteile GmbH & Co. KG • 2021 • www.emka.com

\*not included in the scope of delivery

Small head = DIN ISO 2009, 2010, 7046-1, 7046-2, 7047

Further parts see page  
– 2D Nut 8E-120  
– Fixing material 8E-100

4A-215 09/10

### 180° Hinge with captive pin PROGRAM 1110

180° Hinge for in-line cabinets with single doors can be unhinged at 90° opening angle, for 25 mm door return

Info

1 Quarter turns



2 Rod controls



3 Locking systems



4 Hinges



5 Seals



6 Handles



7 Aluminium windows

8 Miscellaneous

\*not included in the scope of delivery

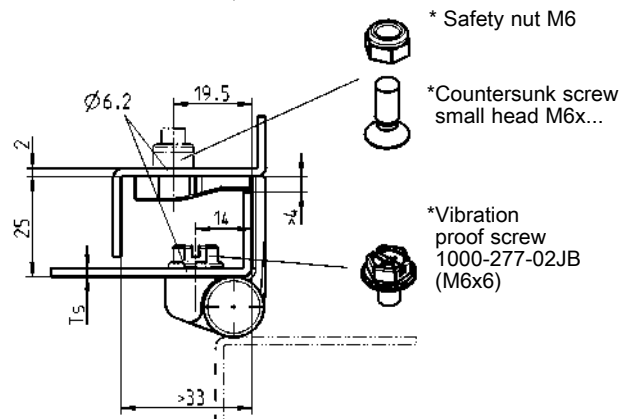
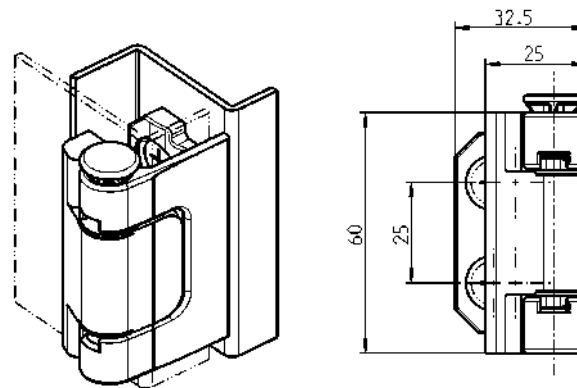
Small head = DIN ISO 2009, 2010, 7046-1, 7046-2, 7047

Further parts see page

- 2D Nut 8E-120  
- Fixing material 8E-100

Index

4A-217



180° Hinge zinc die black powder-coated;  
hinge pin and washer polyamide GF black; shaft clamping ring POM red

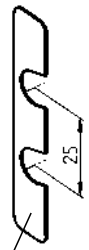
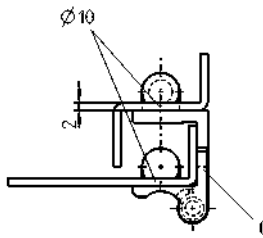
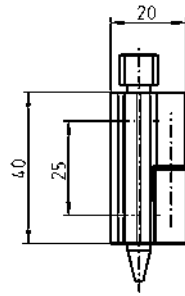
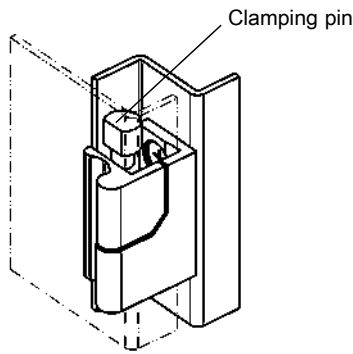
|                                   |                 |
|-----------------------------------|-----------------|
|                                   | <b>Ts = 2.0</b> |
| (2D nut possible)                 | 1110-U142       |
| Bracket with fixing pin, clamp-on | on request      |

# 180° Hinge

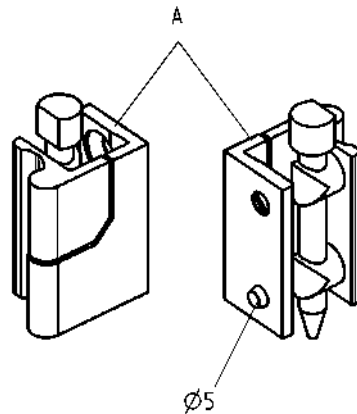
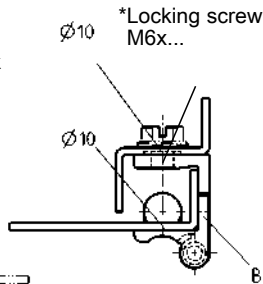
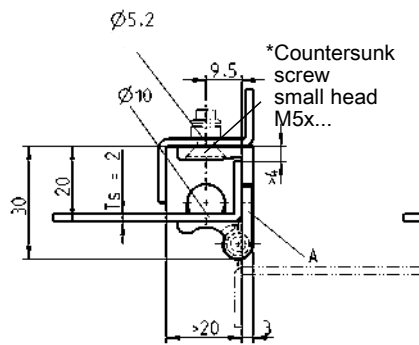
## PROGRAM 1110

180° Hinge for in-line cabinets with double doors,  
lift-off from 70° opening angle, for 20 mm door return

Version for  
Ts = 2



Support plate has to be ordered  
sep. for different door gauges  
(1x per clamping pin)



Only for version A

Also available in chrome-plated  
and other RAL colours on request.

180° Hinge zinc die black powder-coated; fixing pin polyamide GF black;  
hinge pin stainless steel and washer brass

|           |       |          |
|-----------|-------|----------|
| Version A | Right | 1110-U78 |
|           | Left  | 1110-U81 |
| Version B | Right | 1110-U79 |
|           | Left  | 1110-U82 |
| Version C | Right | 1110-U80 |
|           | Left  | 1110-U83 |

Support plate 304 (1x per clamping pin)

|            |            |
|------------|------------|
| for Ts 1.0 | 1110-39-03 |
| for Ts 1.5 | 1110-39-02 |



Version A



Version B



Version C

\*not included in the scope of  
delivery

Small head = DIN ISO 2009,  
2010, 7046-1, 7046-2, 7047

Further parts see page  
– Fixing material

8E-100

## 180° Screw-on hinge PROGRAM 1055, 1039

Info

1 Quarter turns



2 Rod controls

AISI  
INOX

3 Locking systems



4 Hinges



5 Seals

6 Handles



7 Aluminium windows

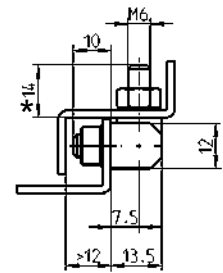
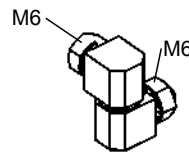
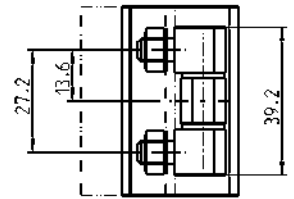
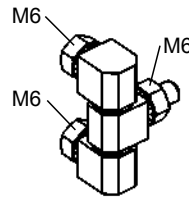
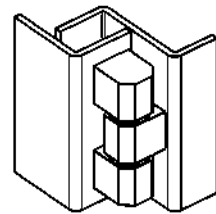


8 Miscellaneous

9 Special catalogues

Index

### 180° Screw-on hinge

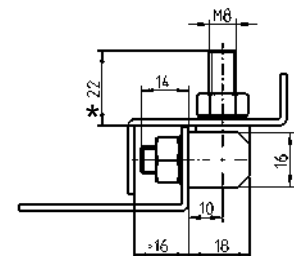
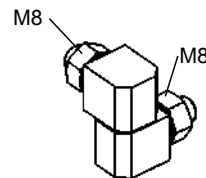
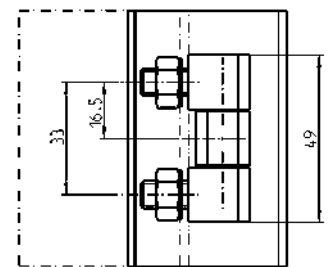
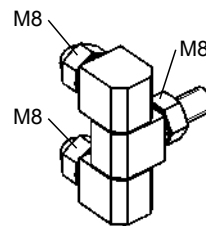
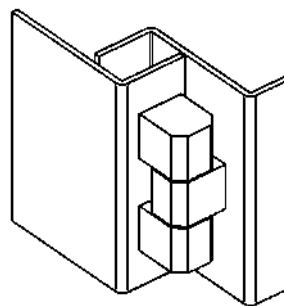


\* = 10 mm with two-piece hinge

### 180° Screw-on hinge m.s. zinc-plated; pin and washers brass nickel-plated or completely stainless steel

|               |          |         |
|---------------|----------|---------|
| – three-piece | m.s.     | 1055-U2 |
|               | AISI 303 | 1055-U6 |
|               | AISI 316 | 1055-U8 |
| – two-piece   | m.s.     | 1055-U5 |

### 180° Screw-on hinge



\* = 14 mm with two-piece hinge

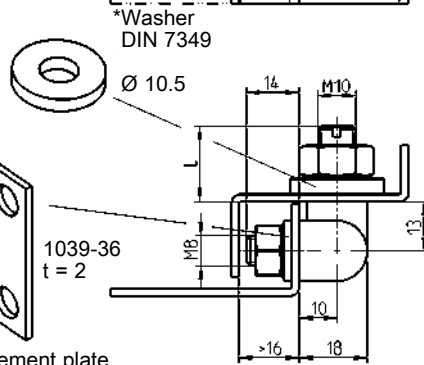
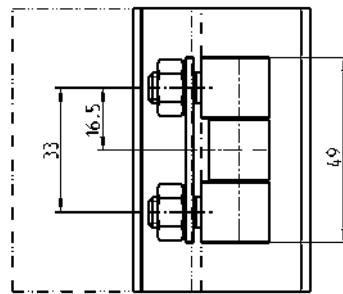
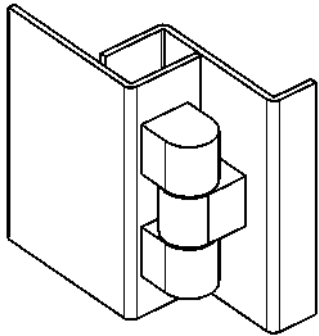
### 180° Screw-on hinge m.s. zinc-plated; pin and washers brass nickel-plated or completely stainless steel

|               |          |          |
|---------------|----------|----------|
| – three-piece | m.s.     | 1039-U12 |
|               | AISI 303 | 1039-U19 |
|               | AISI 316 | 1039-U26 |
| – two-piece   | m.s.     | 1039-U17 |

# Hinge

## PROGRAM 1039, 1035

180° Screw-on hinge,  
e.g. for pressure-tight doors



Reinforcement plate

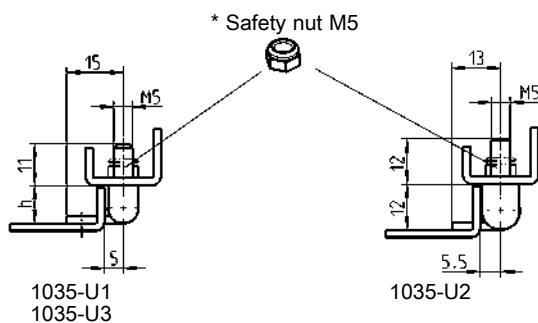
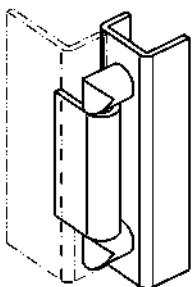
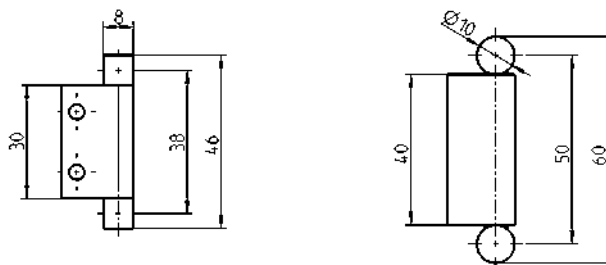
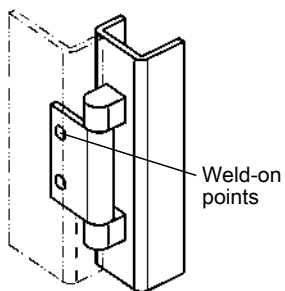
180° Screw-on hinge tempered C35, zinc-plated; pin and washers brass nickel-plated

|             |           |         |
|-------------|-----------|---------|
| Stud length | L = 20 mm | 1039-U6 |
|             | 55 mm     | 1039-U7 |
|             | 65 mm     | 1039-U8 |

Reinforcement plate m.s. zinc-plated

1039-36

### 180° Hinge



180° Hinge m.s. zinc-plated;  
hinge leaf m.s. raw

|        |         |
|--------|---------|
| h = 10 | 1035-U1 |
| 12     | 1035-U3 |

180° Hinge m.s. zinc-plated;  
hinge leaf m.s. raw

1035-U2



\*not included in the scope of delivery

### Hinge PROGRAM 1054, 1105

Info

1 Quarter turns



2 Rod controls



3 Locking systems



4 Hinges

5 Seals



6 Handles

7 Aluminium windows

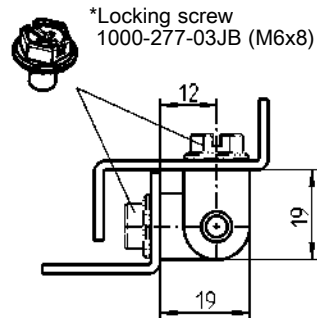
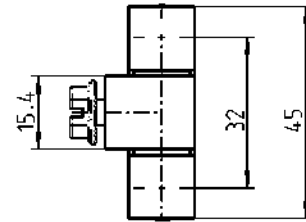
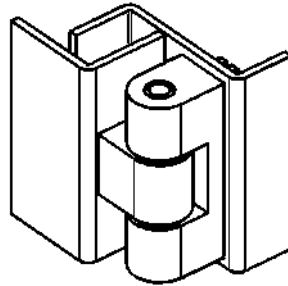
8 Miscellaneous



9 Special catalogues

Index

180° Screw-on hinge



180° Screw-on hinge zinc die;  
pin stainless steel and bushes polyamide

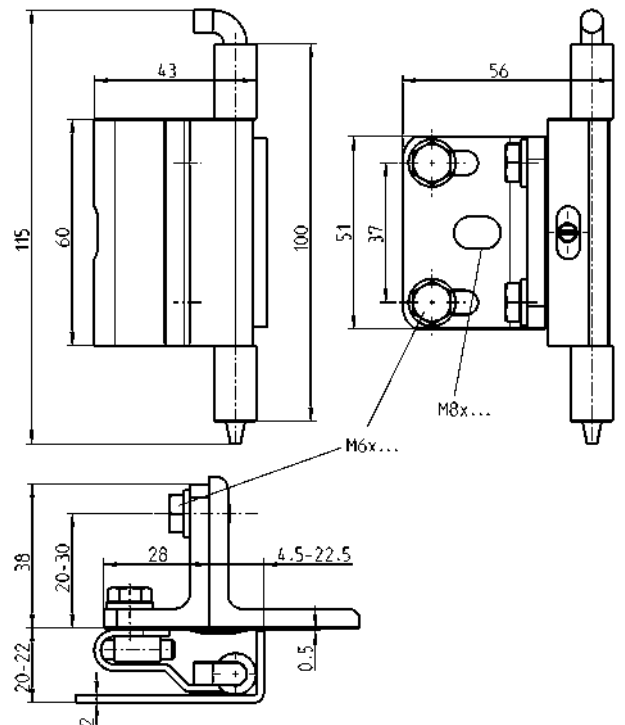
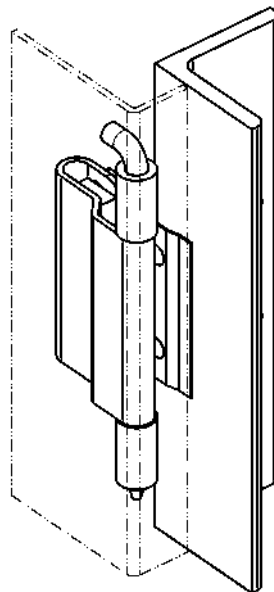
chrome-plated

1054-U1

black powder-coated

1054-U30

130° Spring-loaded hinge



\*not included in the scope of delivery

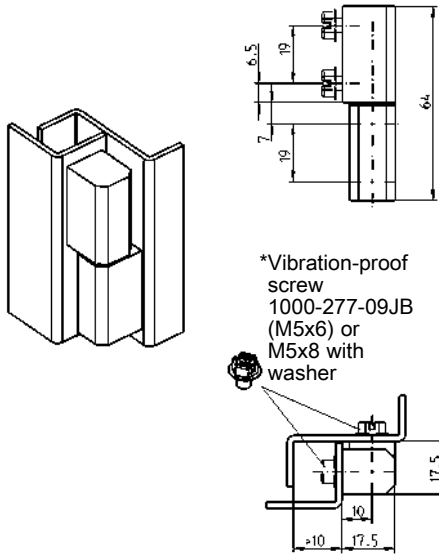
130° Spring loaded hinge m.s. zinc-plated;  
door part m.s. raw, spring stainless steel blank

1105-U1

# Screw-on hinge

## PROGRAM 1056, 1079

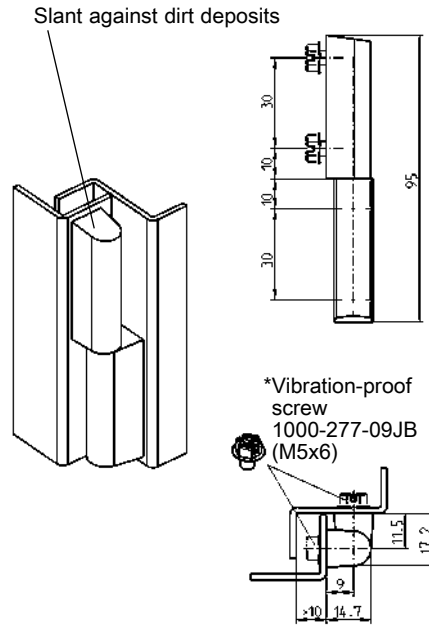
ROBELSTAHL® 180° Screw-on hinge  
**Rost frei**  
 STAINLESS STEEL



180° Screw-on hinge zinc die  
 black powder-coated or AISI 316

|          |             |
|----------|-------------|
| Zinc die | 1056-U34    |
| AISI 316 | 1056-U34-PH |

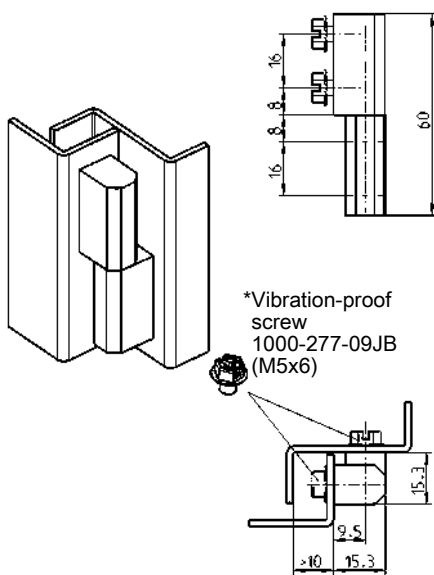
180° Plastic screw-on hinge



Plastic screw-on hinge polyamide GF black;  
 pin stainless steel and insert part m.s. raw

1079-U2

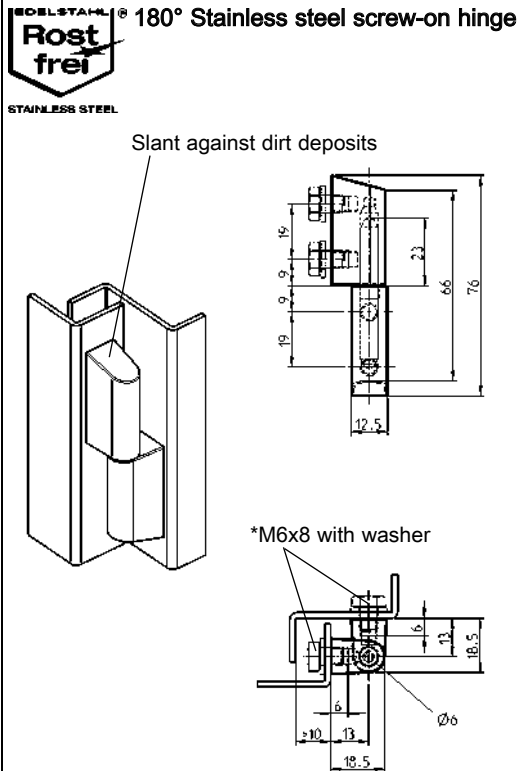
180° Plastic screw-on hinge



Plastic screw-on hinge polyamide GF black;  
 pin stainless steel and insert part m.s. raw

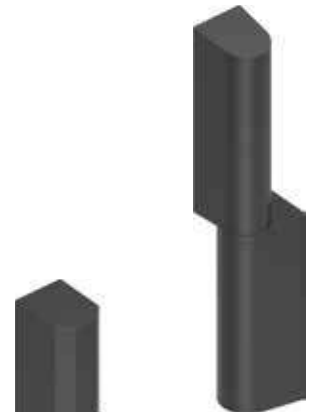
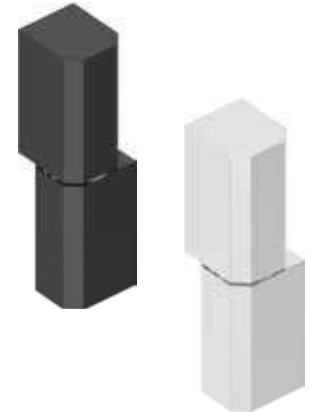
1079-U4

ROBELSTAHL® 180° Stainless steel screw-on hinge



Stainless steel screw-on hinge AISI 316

1079-U5-PH



\*not included in the scope of delivery

Info

1 Quarter turns



2 Rod controls



3 Locking systems



4 Hinges



5 Seals

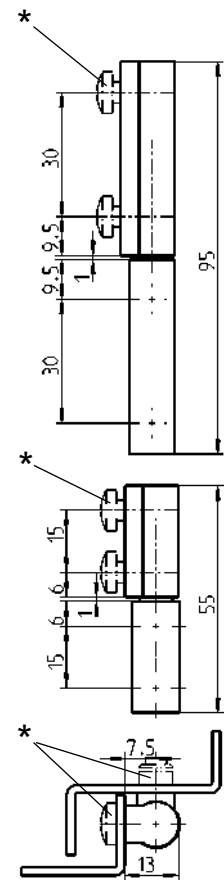
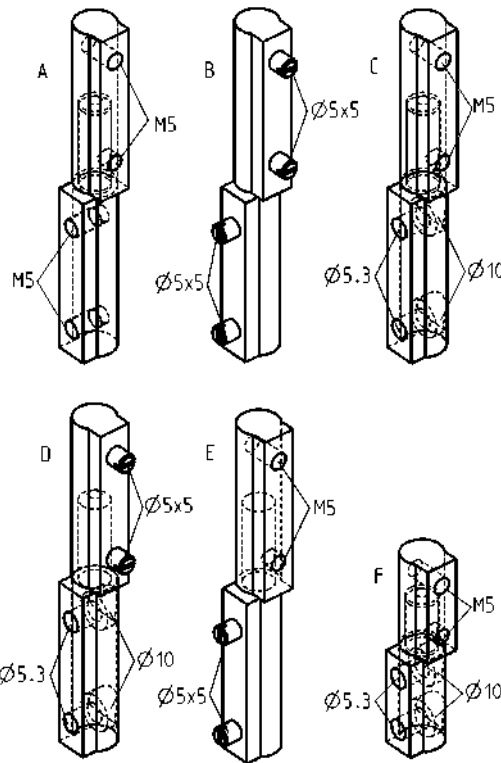
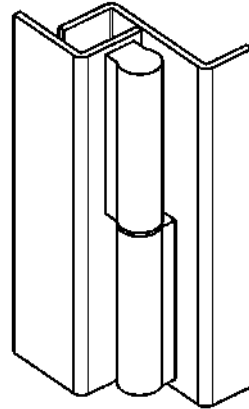
6 Handles

7 Aluminium windows

8 Miscellaneous

9 Special catalogues

Index



\*not included in the scope of delivery

Profile hinge m.s. zinc-plated; with weld-on stud m.s. raw; covering sleeve stainless steel

|      |         |
|------|---------|
| A    | 1036-U2 |
| B    | 1036-U3 |
| C ** | 1036-U4 |
| D ** | 1036-U5 |
| E    | 1036-U6 |
| F ** | 1036-U7 |

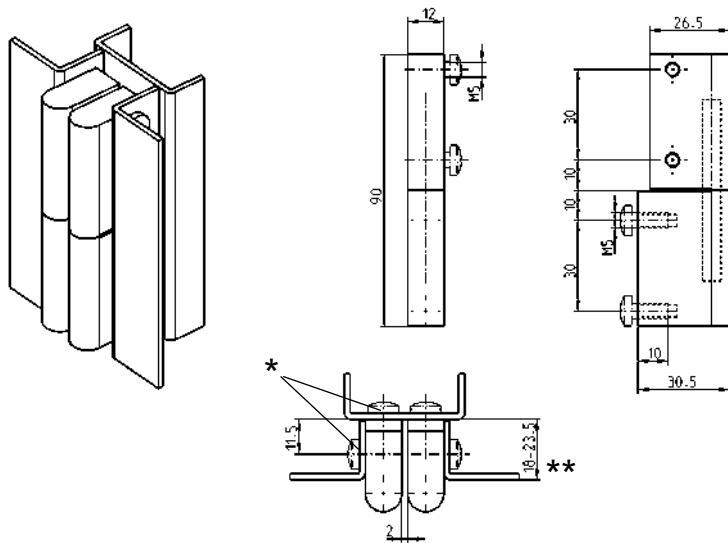
\*\* = Covering sleeve



# Hinge

## PROGRAM 1033, 1036

Screw-on hinge



\*\*In case of 18 mm, an opening angle of 180° for in-line cabinets with double doors is possible.

**Screw-on hinge zinc die; pin stainless steel**

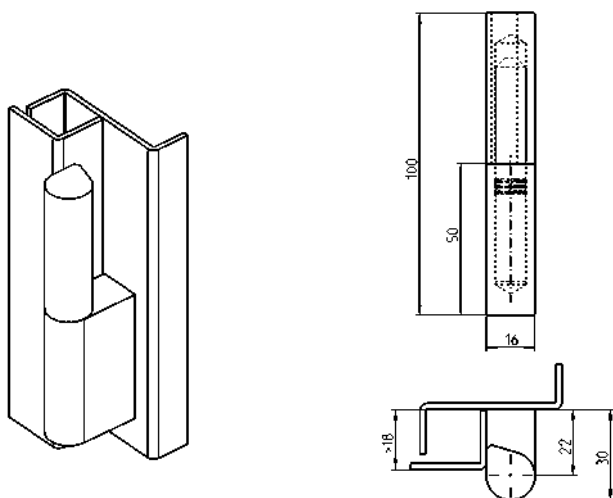
chrome-plated

1036-U9

black powder-coated

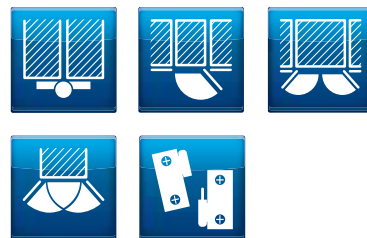
1036-U10

**180° Hinge for in-line cabinets with single doors**



**180° Weld-on hinge m.s. raw**

1033-U44



1 Quarter turns

2 Rod controls

3 Locking systems

4 Hinges

5 Seals

6 Handles

7 Aluminium windows

8 Miscellaneous

9 Special catalogues

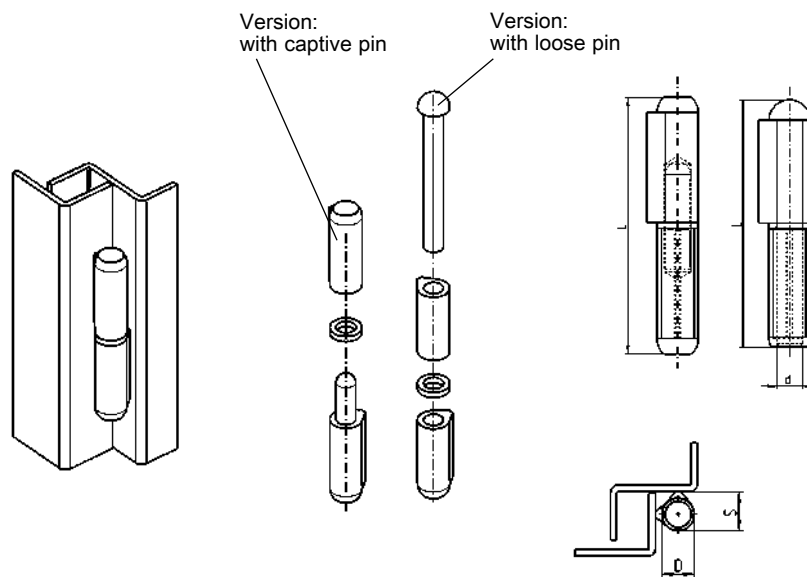
Index



\*not included in the scope of delivery



Weld-on hinge



Note:  
L-dimensions are nominal;  
weld-on hinges  
may be smaller

### Version with captive pin; material of choice

| L   | D  | d  | S    | m.s. raw<br>Pin m.s. | m.s. raw<br>Pin brass | AISI 304<br>Pin AISI 304 |
|-----|----|----|------|----------------------|-----------------------|--------------------------|
| 40  | 8  | 5  | 9.5  | 1033-U1*             | 1033-U14*             | -                        |
| 50  | 8  | 5  | 9.5  | 1033-U2*             | 1033-U15*             | -                        |
| 60  | 10 | 6  | 12.0 | 1033-U3*             | 1033-U16*             | 1033-U70                 |
| 70  | 10 | 7  | 12.0 | 1033-U4*             | 1033-U17*             | -                        |
| 80  | 13 | 8  | 15.5 | 1033-U5*             | 1033-U18*             | 1033-U71                 |
| 100 | 16 | 10 | 20.0 | 1033-U7*             | 1033-U20*             | 1033-U72                 |
| 120 | 16 | 11 | 20.0 | 1033-U8*             | 1033-U21*             | 1033-U73                 |
| 135 | 18 | 12 | 22.0 | 1033-U9              | 1033-U22              | -                        |
| 150 | 20 | 13 | 25.0 | 1033-U11             | 1033-U24              | 1033-U74                 |
| 180 | 20 | 14 | 25.0 | 1033-U13*            | 1033-U26*             | 1033-U75                 |
| 200 | 23 | 16 | 28.5 | 1033-U60             | 1033-U61              | -                        |

\* = in stock

### Version with loose pin; material of choice

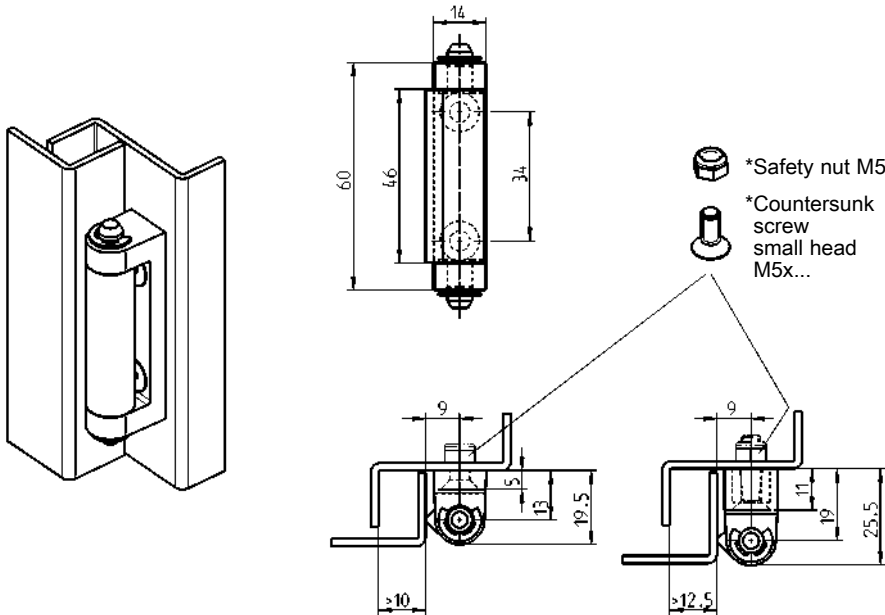
| L   | D  | d  | S    | m.s. raw<br>Pin m.s. | m.s. raw<br>Pin brass | AISI 304<br>Pin AISI 304 |
|-----|----|----|------|----------------------|-----------------------|--------------------------|
| 40  | 8  | 5  | 9.5  | 1033-U27             | 1033-U35              | -                        |
| 50  | 8  | 5  | 9.5  | 1033-U55             | 1033-U56              | -                        |
| 60  | 10 | 6  | 12.0 | 1033-U28             | 1033-U36              | -                        |
| 70  | 10 | 7  | 12.0 | 1033-U57             | 1033-U58              | -                        |
| 80  | 13 | 8  | 15.5 | 1033-U29             | 1033-U37              | -                        |
| 100 | 16 | 10 | 20.0 | 1033-U30             | 1033-U38              | -                        |
| 120 | 16 | 11 | 20.0 | 1033-U31             | 1033-U39              | -                        |
| 135 | 18 | 12 | 22.0 | 1033-U32             | 1033-U40              | -                        |
| 150 | 20 | 13 | 25.0 | 1033-U33             | 1033-U41              | -                        |
| 180 | 20 | 14 | 25.0 | 1033-U34             | 1033-U42              | -                        |
| 200 | 23 | 16 | 28.5 | 1033-U63             | 1033-U64              | -                        |

For the version with captive pin,  
the upper part can be ordered  
with grease nipple from L-dimen-  
sion 80 onwards on request.

Weld-on hinges made  
of aluminium on request!

# Hinge

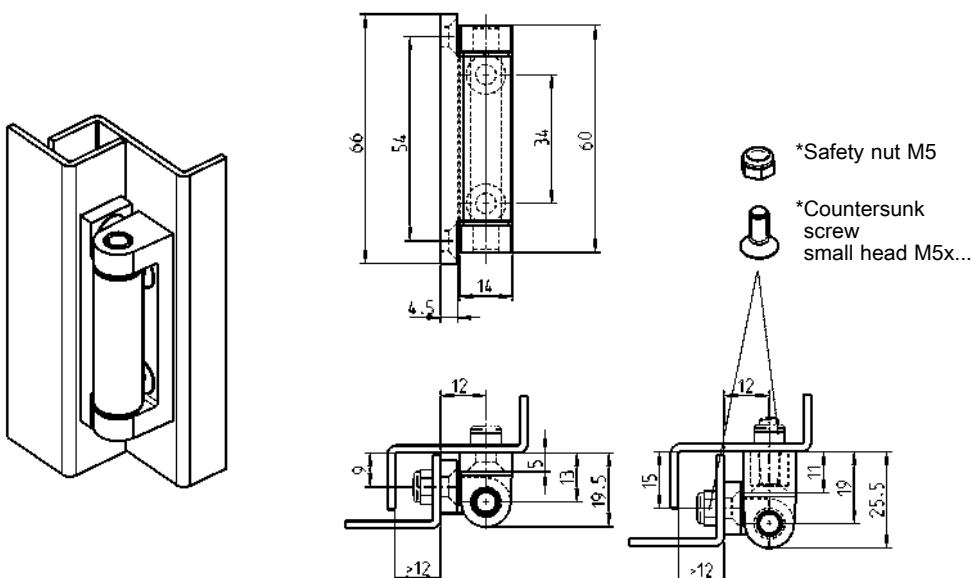
## PROGRAM 1054



Hinge zinc die; middle part m.s. raw; pin and washer m.s. zinc-plated

|                     | Dim. 19.5   | Dim. 25.5   |
|---------------------|-------------|-------------|
| chrome-plated       | 1054-U2     | 1054-U14    |
| black powder-coated | 1054-U8     | 1054-U15    |
| raw                 | 1054-U26 ** | 1054-U25 ** |

\*\* = Minimum order quantity: 1000 pieces



Hinge zinc die; pin stainless steel and bushes polyamide

|                     | Dim. 19.5   | Dim. 25.5   |
|---------------------|-------------|-------------|
| chrome-plated       | 1054-U3     | 1054-U16    |
| black powder-coated | 1054-U9     | 1054-U17    |
| raw                 | 1054-U23 ** | 1054-U24 ** |

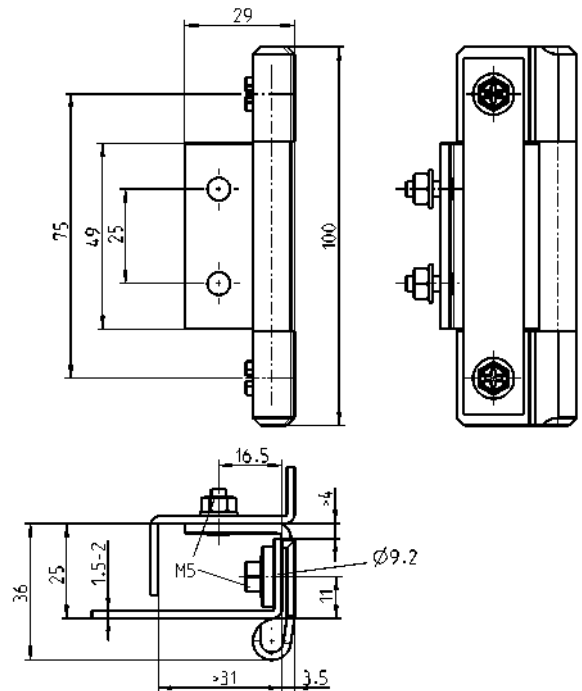
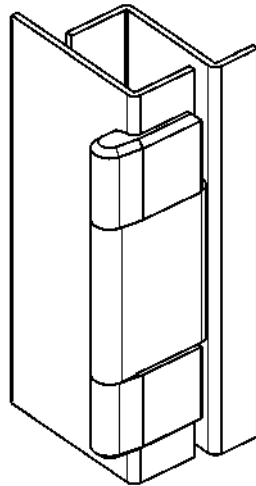
\*\* = Minimum order quantity: 1000 pieces

\*not included in the scope of delivery

Small head = DIN ISO 2009, 2010, 7046-1, 7046-2, 7047

### 180° Hinge PROGRAM 1110

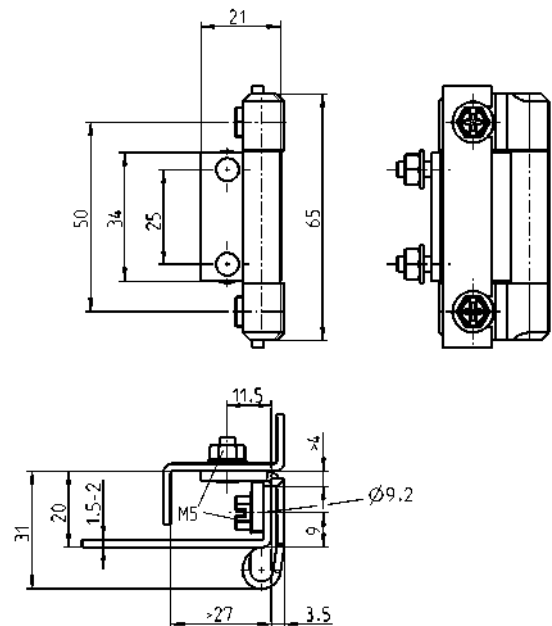
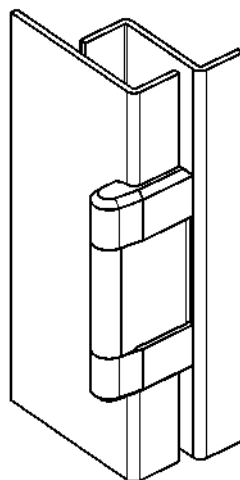
180° Hinge for in-line cabinets with double doors, for 25 mm door return



180° Hinge part m.s. black; door part zinc die black powder-coated;  
fixing material m.s. zinc-plated

1110-U26

180° Hinge for in-line cabinets with double doors, for 20 mm door return



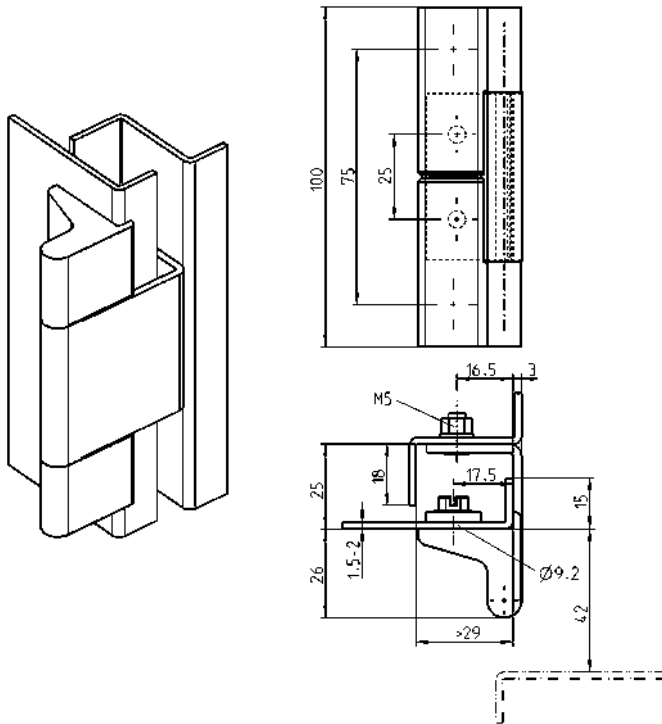
180° Hinge part m.s. black; door part zinc die black powder-coated;  
fixing material m.s. zinc-plated

1110-U114

# 180° Hinge

## PROGRAM 1110

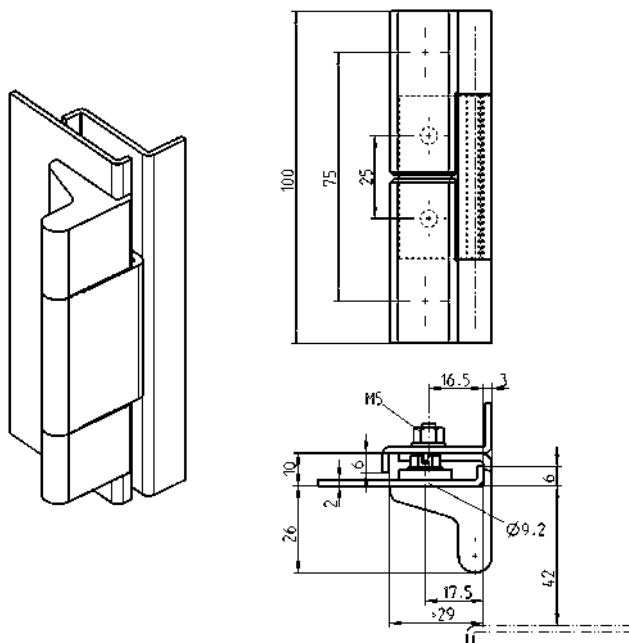
180° Hinge for in-line cabinets with double doors, for 25 mm door return



180° Hinge part m.s. black; door part zinc die black powder-coated;  
fixing material m.s. zinc-plated

1110-U112

180° Hinge for in-line cabinets with double doors, for 10 mm door return



180° Hinge part m.s. black; door part zinc die black powder-coated;  
fixing material m.s. zinc-plated

1110-U113



Info

1 Quarter turns



2 Rod controls



3 Locking systems

4 Hinges



5 Seals

6 Handles

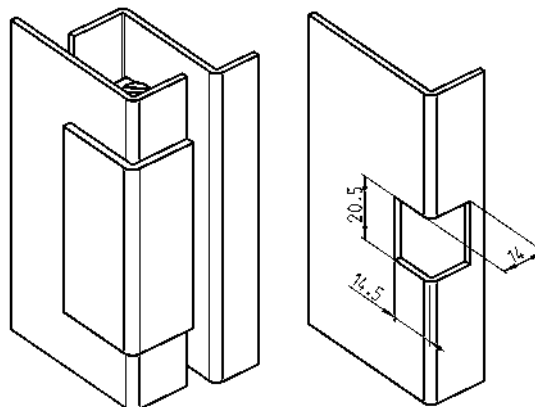
7 Aluminium windows

8 Miscellaneous

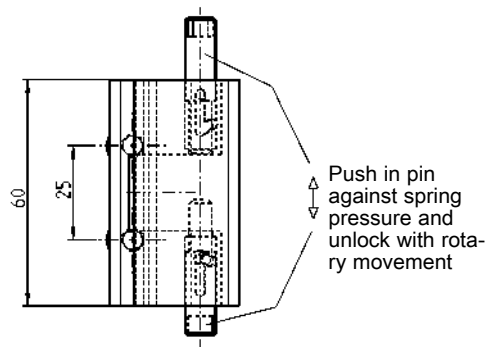
9 Special catalogues

Index

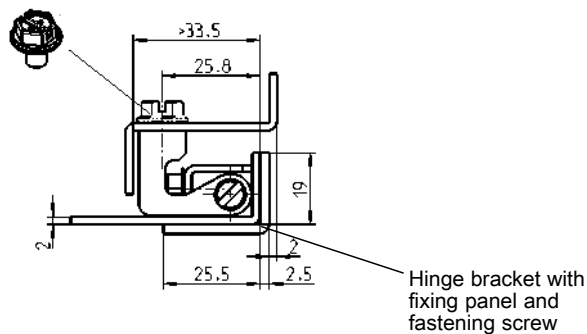
120° Hinge for 25 mm door return  
Easy assembly / disassembly of the door



Cut out



\*Vibration-proof screw  
1000-277-03JB  
M6x8



Fixing panel with tips suitable for earthing.

\*not included in the scope of delivery

120° Hinge zinc die black powder-coated;  
fixing material m.s. zinc-plated

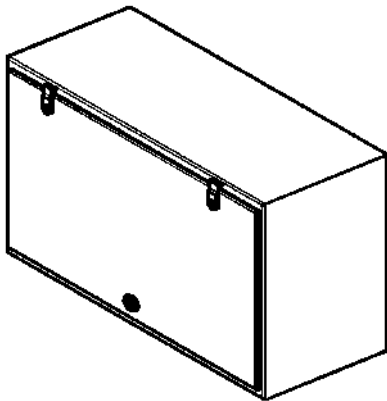
1110-U111

4A-480

# 135° Integral hinge for light doors and flaps

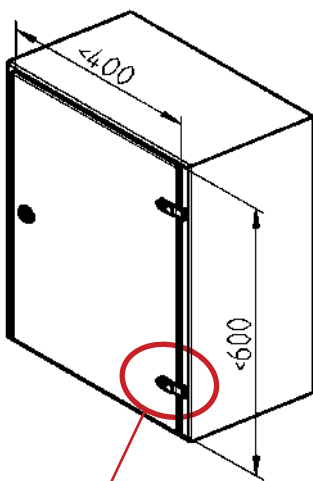
PROGRAM 1126

Installation situation flap



Detail A  
Door closed

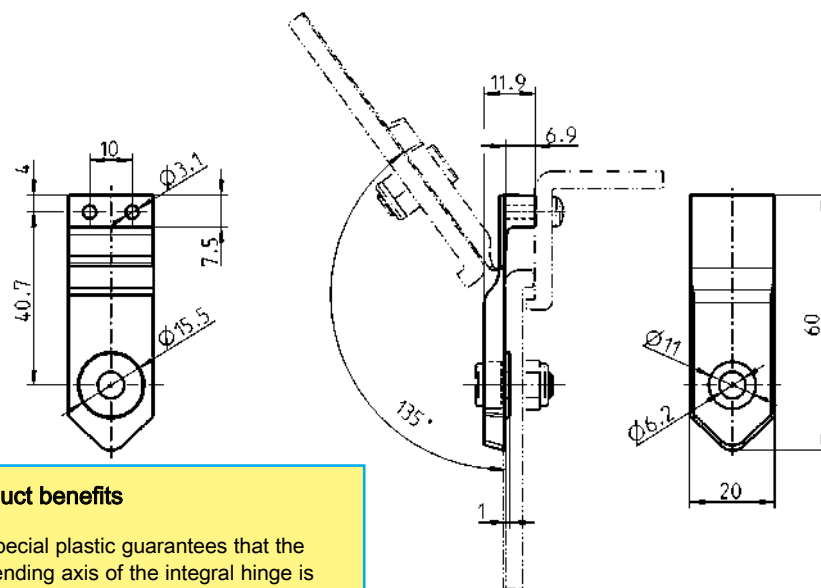
Installation situation door



Detail A



Detail A  
Door opened



### Product benefits

- Special plastic guarantees that the bending axis of the integral hinge is permanently protected against brittleness or failure
- Easy to assemble
- Low-priced

### Application:

This integral hinge is suitable for light doors and flaps with low opening frequency, e.g. made of plastic.

### Technical Data:

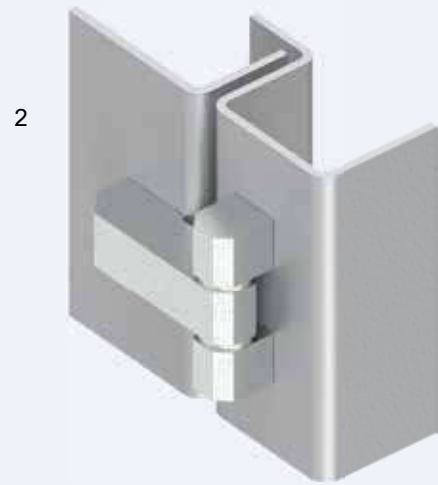
2,000 cycles  
at 135° open-close  
in case of a load of approx. 2.5 kg  
door weight / hinge  
(recommended load per hinge)

135° Integral hinge modified to impact strength polyamide black

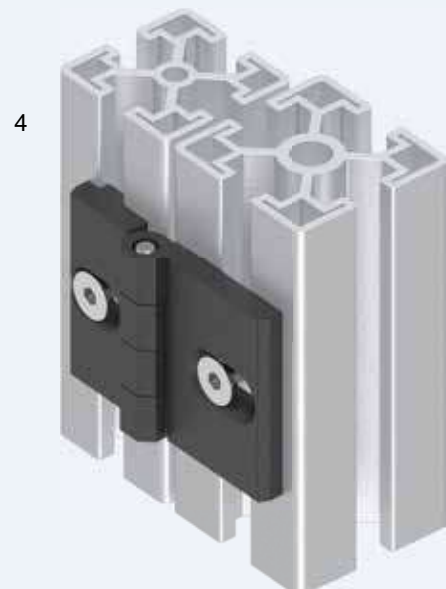
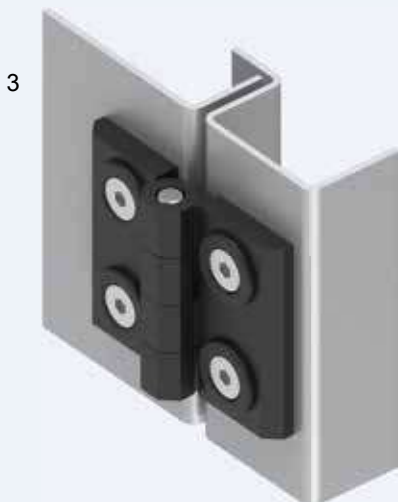
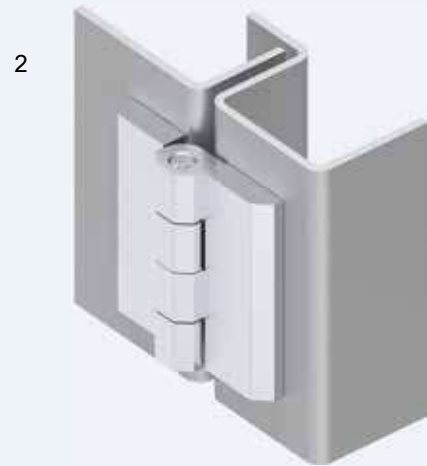
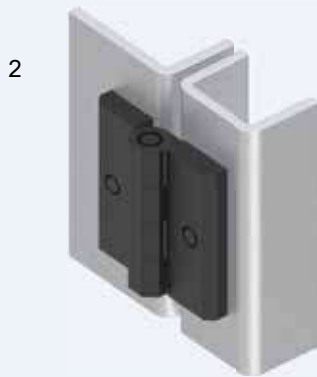
on request

- 1 Quarter turns
- 2 Rod controls
- 3 Locking systems
- 4 Hinges
- 5 Seals
- 6 Handles
- 7 Aluminium windows
- 8 Miscellaneous
- 9 Special catalogues

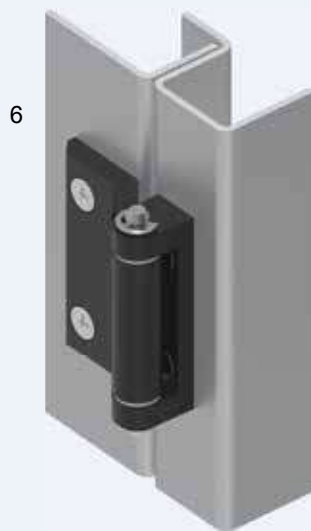
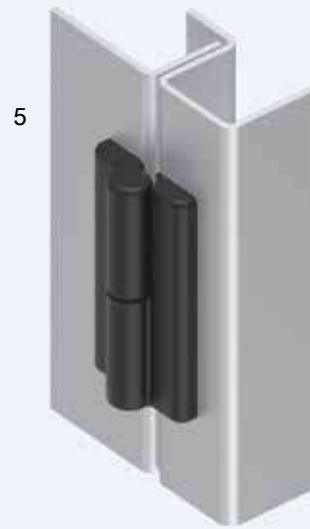
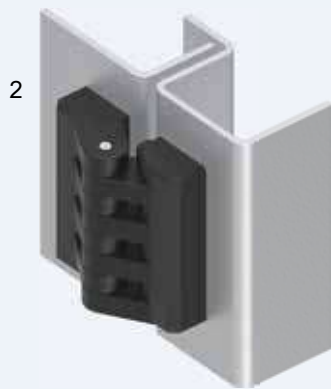
# Hinge for flush door



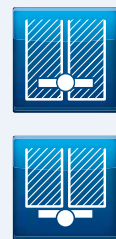
Door and housing / frame pictured transparent







- |   |   |                          |
|---|---|--------------------------|
| 1 | 90° and 180° Concealed hinge              | 4B-120 to 4B-140         |
| 2 | 180° and 270° Prominent hinge             | 4B-160 to 4B-220, 4B-245 |
| 3 | 180° 2D Prominent hinge                   | 4B-215                   |
| 4 | 180° Prominent hinge for profile rails    | 4B-230                   |
| 5 | 180° Prominent hinge and lift-off version | 4B-240                   |
| 6 | 180° Prominent hinge                      | 4B-280 to 4B-300         |
| 7 | 180° 2D and 3D Prominent hinge            | 4B-248 to 4B-260         |



# 4B-100

## 90° Concealed hinge PROGRAM 1006, 1007

Beschlagteile

Info

1 Quarter turns



2 Rod controls



3 Locking systems



4 Hinges

5 Seals

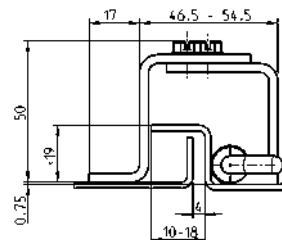
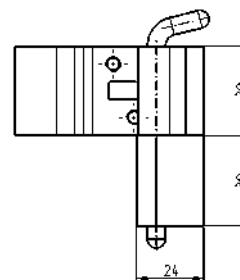
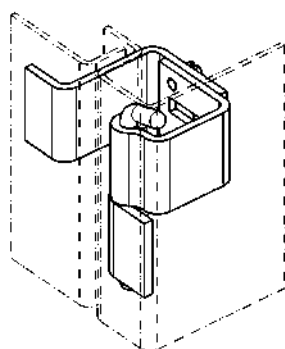
6 Handles

7 Aluminium windows

8 Miscellaneous

9 Special catalogues

Index



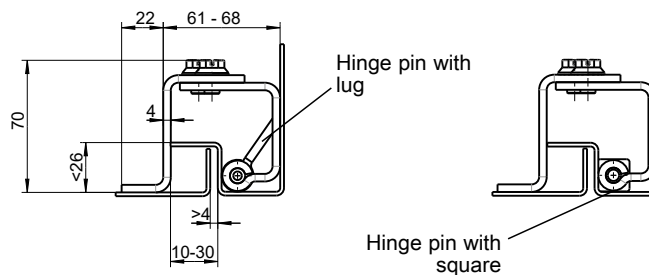
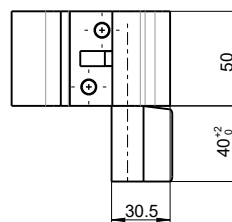
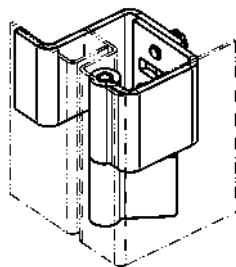
### Concealed hinge

m.s. zinc-plated, weld-on part m.s. raw

1006-U1

AISI 304 and AISI 303

1006-U1-PC



### Concealed hinge m.s. zinc-plated, weld-on parts m.s. raw

Hinge pin with lug

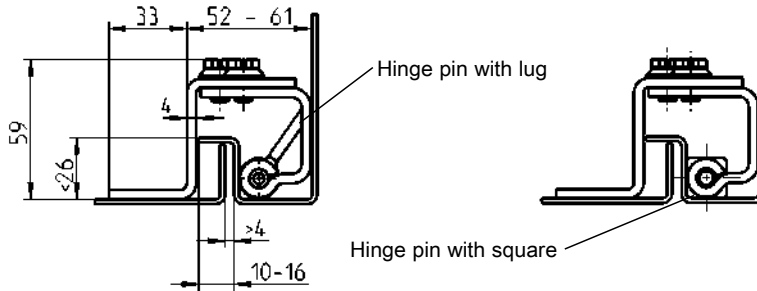
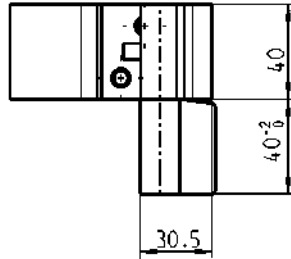
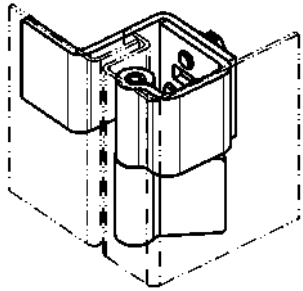
1007-U2

Hinge pin with square (17x50)

1007-U1

# 90° Concealed hinge

## PROGRAM 1046



1 Quarter turns

2 Rod controls

3 Locking systems

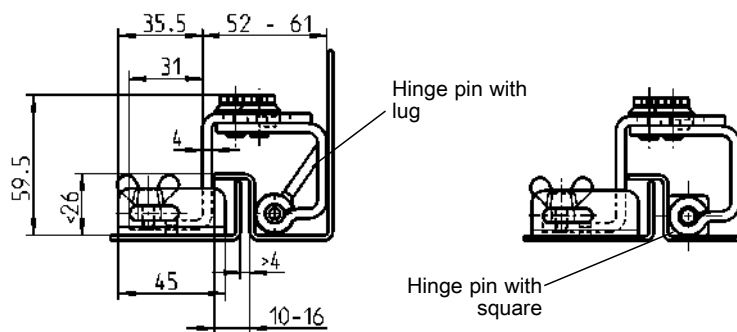
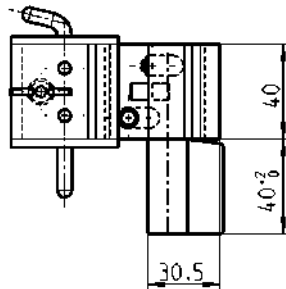
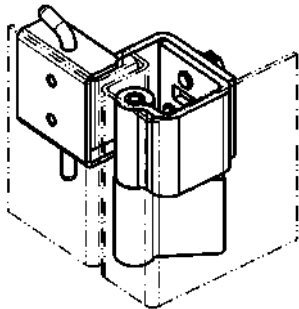
4 Hinges



Concealed hinge m.s. zinc-plated., weld-on parts m.s. raw or AISI 304 and AISI 303

|                     | m.s.    | AISI 304 |
|---------------------|---------|----------|
| Hinge pin with lug  | 1046-U1 | 1046-U5  |
| Base (square 17x50) | 1046-U3 | -        |

5 Seals



Concealed hinge m.s. zinc-plated, weld-on parts m.s. raw

|                     |         |
|---------------------|---------|
| Hinge pin with lug  | 1046-U2 |
| Base (square 17x50) | 1046-U4 |



6 Handles

7 Aluminium windows

8 Miscellaneous

9 Special catalogues

Info

1 Quarter turns



2 Rod controls



3 Locking systems



Spring for LH-version

4 Hinges

5 Seals

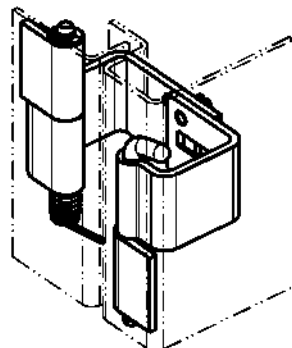
6 Handles

7 Aluminium windows

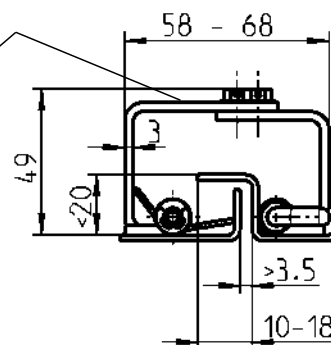
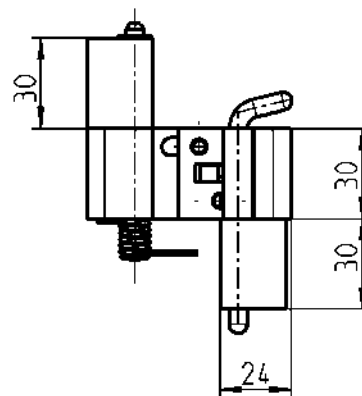
8 Miscellaneous

9 Special catalogues

Index

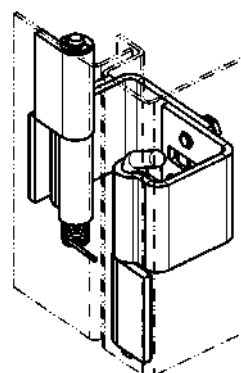


If necessary, connect hinge with flat steel

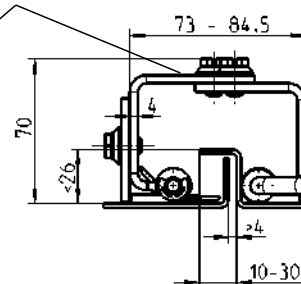
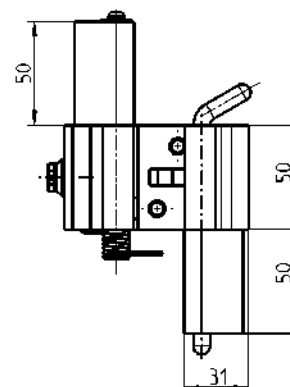


180° Concealed hinge m.s. zinc-plated, spring material spring steel, weld-on parts m.s. raw

1042-U1



If necessary, connect hinge with flat steel

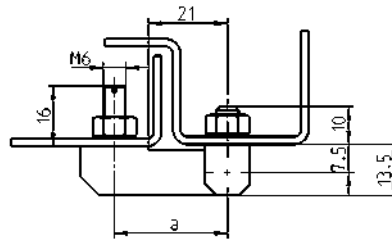
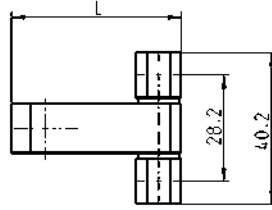
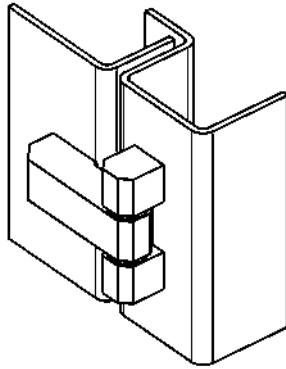


180° Concealed hinge m.s. zinc-plated, spring material spring steel, weld-on parts m.s. raw

1043-U1

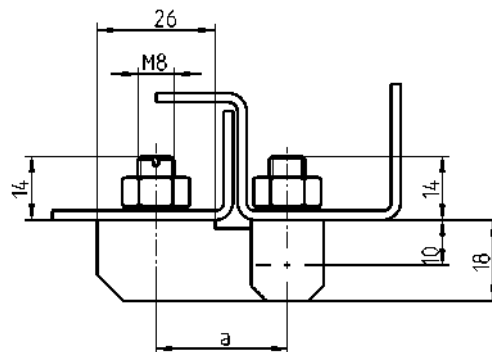
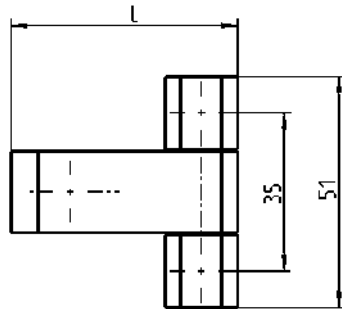
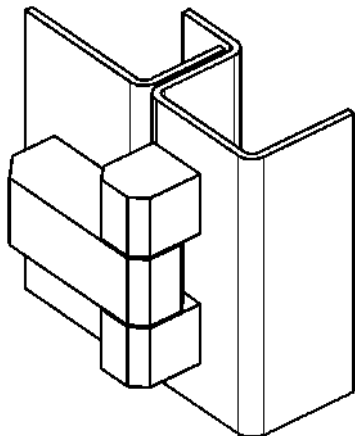
# 180° Screw-on hinge

## PROGRAM 1039, 1055



Screw-on hinge m.s. zinc-plated, pin and washers brass nickel-plated or completely stainless steel

| L  | a  | m.s.    | AISI 303 | AISI 316 |
|----|----|---------|----------|----------|
| 45 | 30 | 1055-U3 | 1055-U7  | 1055-U9  |
| 53 | 38 | 1055-U4 | -        | -        |



Screw-on hinge m.s. zinc-plated, pin and washers brass nickel-plated or completely stainless steel

| L  | a  | m.s.     | AISI 303 | AISI 316 |
|----|----|----------|----------|----------|
| 50 | 29 | 1039-U10 | 1039-U18 | 1039-U25 |
| 61 | 40 | 1039-U11 | -        | -        |

Info

1 Quarter turns



2 Rod controls

3 Locking systems

4 Hinges

5 Seals

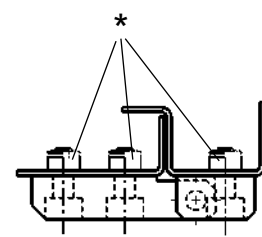
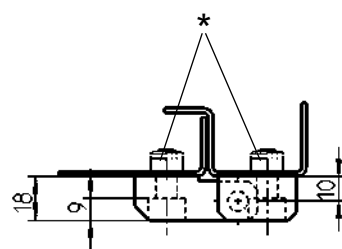
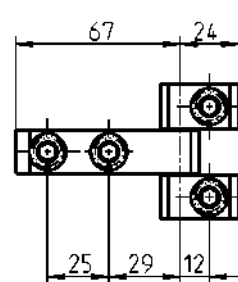
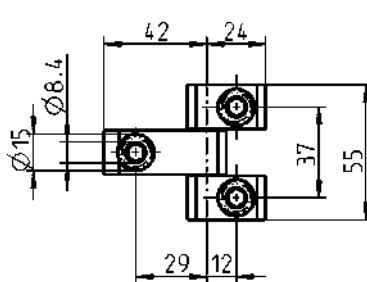
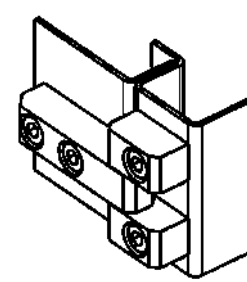
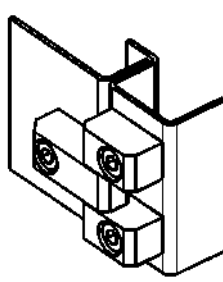
6 Handles

7 Aluminium windows

8 Miscellaneous

9 Special catalogues

Index



\*not included in the scope of delivery

**Screw-on hinge m.s. zinc-plated, pin and washers brass nickel-plated**

Middle part short with one bore hole  $\varnothing$  8.4 mm

1039-U13

Middle part short without bore hole for weld-on

1039-U14

Middle part long with two bore holes  $\varnothing$  8.4 mm

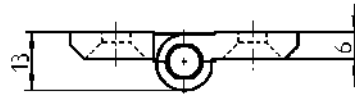
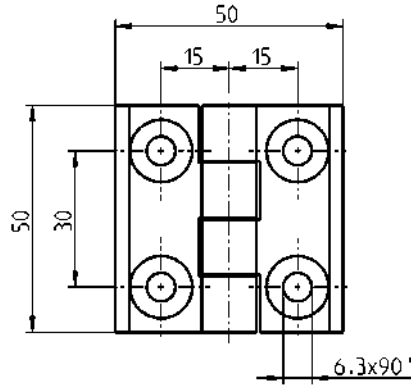
1039-U15

# 180° Screw-on torque hinge

## PROGRAM 1056

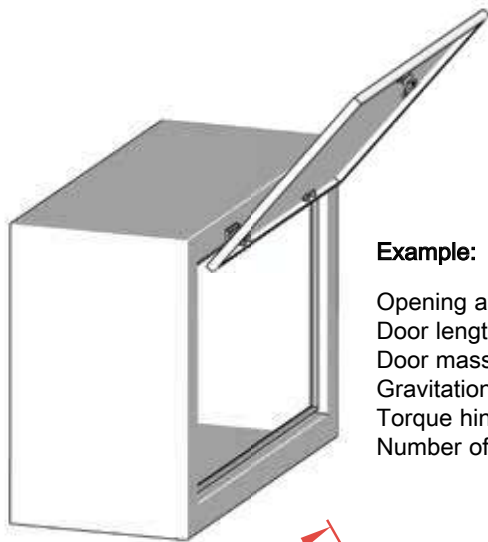
#### Product benefits

- Holds any position continuously at adequate load
- Constant torque across 180° adjustment range
- Same torque during opening and closing
- Compatible with all hinges of the 1056 program with identical cut out
- Can replace door stops, cover stays or gas springs depending on installation location



#### Dimensioning / Calculation:

The number of hinges for covers depends of the size and weight of the cover. We are pleased to help you with the dimensioning of the hinges on request.



#### Example:

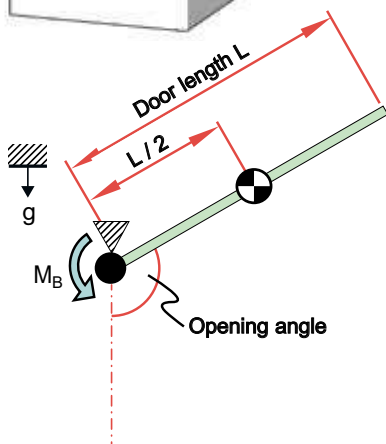
- Opening angle: .....  $\alpha = 120$
- Door length: .....  $L = 0.4 \text{ m}$
- Door mass: .....  $m = 2 \text{ kg}$
- Gravitational pull: .....  $g = 9.81 \text{ m/s}^2$
- Torque hinge: .....  $M = 2 \text{ Nm}$
- Number of hinges: .....  $n = ?$

#### Formula:

$$\text{Total } M = \left( \frac{L \times m \times g \times \sin \alpha}{2} \right)$$

#### Result:

3.4 Nm = 2 hinges



#### Torque hinge

The hinge can be set continuously in any position. There it remains in the same position. The torque is the same during opening and closing.

#### Application:

This torque hinge is suitable for doors and covers.

#### Technical Data:

10,000 cycles at 180° open-close

Also available on request with 1.0 Nm

180° Screw-on torque hinge zinc die black powder-coated; two torque units m.s. nickel-plated

| Nm  | Tolerance ± % |           |
|-----|---------------|-----------|
| 2.0 | 25            | 1056-U110 |

Further parts see page – 2D Nut

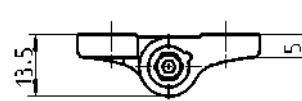
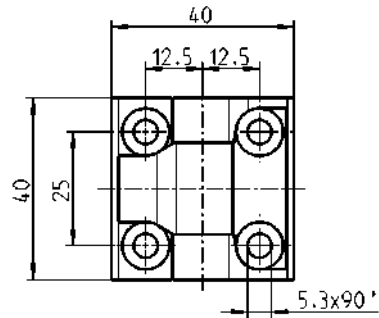
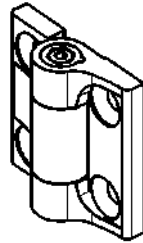
8E-120

# 180° Screw-on torque hinge with adjustment function

## PROGRAM 1056

### Product benefits

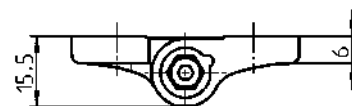
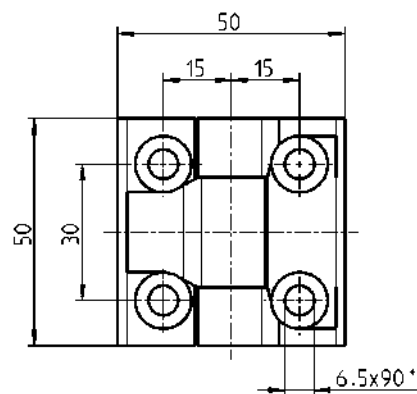
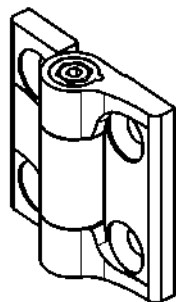
- Adjustable torque
- Constant torque across 180° adjustment range
- Same torque during opening and closing
- Adjustment of the torque may be necessary
- Compatible with all hinges of the 1056 program with identical cut out
- Can replace door stops, cover stays or gas springs depending on installation location



180° Screw-on torque hinge zinc die black powder-coated for countersunk screw M5; friction cone polyacetal POM; screw and nut m.s. zinc-plated

| Nm     | max. tightening torque of screw in Nm |
|--------|---------------------------------------|
| to ~ 2 | 0.5                                   |

1056-U6-01

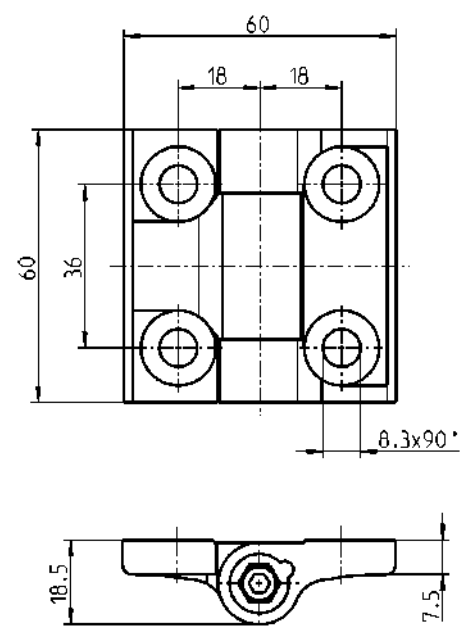
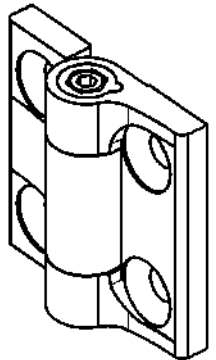


180° Screw-on torque hinge zinc die black powder-coated for countersunk screw M6 (2D nut can be used); friction cone polyacetal POM; screw and nut m.s. zinc-plated

| Nm     | max. tightening torque of screw in Nm |
|--------|---------------------------------------|
| to ~ 4 | 0.75                                  |

1056-U10-01





180° Screw-on torque hinge zinc die black powder-coated for countersunk screw M8; friction cone polyacetal POM; screw and nut m.s. zinc-plated

| Nm       | max. tightening torque of screw in Nm |             |
|----------|---------------------------------------|-------------|
| to ~ 6.5 | 1.5                                   | 1056-U14-01 |

### Dimensioning / Calculation:

The number of hinges for covers depends on the size and weight of the cover. We are pleased to help you with the dimensioning of the hinges on request.

### Example:

- Door length: ..... L = 0.7 m
- Door mass: ..... m = 3.5 kg
- Gravitational pull: ..... g = 9.81 m/s<sup>2</sup>
- Torque hinge: ..... M = 6.5 Nm
- Total torque ..... M total = ?
- Number of hinges: ..... n = ?

### Formula: Total torque

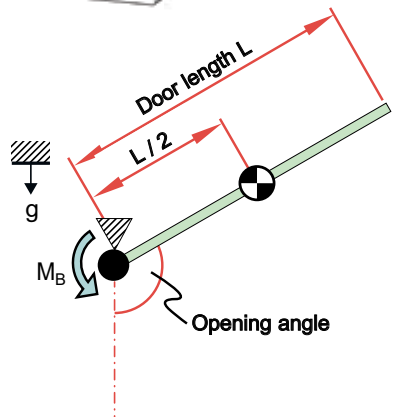
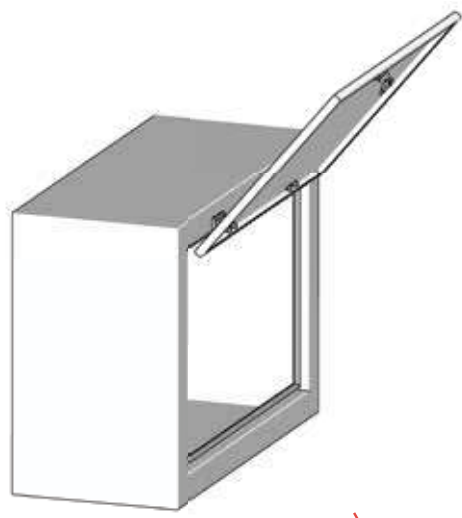
$$M_{total} = L / 2 \times m \times g$$

### Formula: Number of required hinges

$$n = \left( \frac{M_{total}}{M} \right)$$

### Result:

1.85 = 2 hinges 1056-U14-01



### Torque hinge

The hinge can be set continuously in any position. There it remains in the same position. The torque is the same during opening and closing.

### Application:

This torque hinge is suitable for doors and covers.

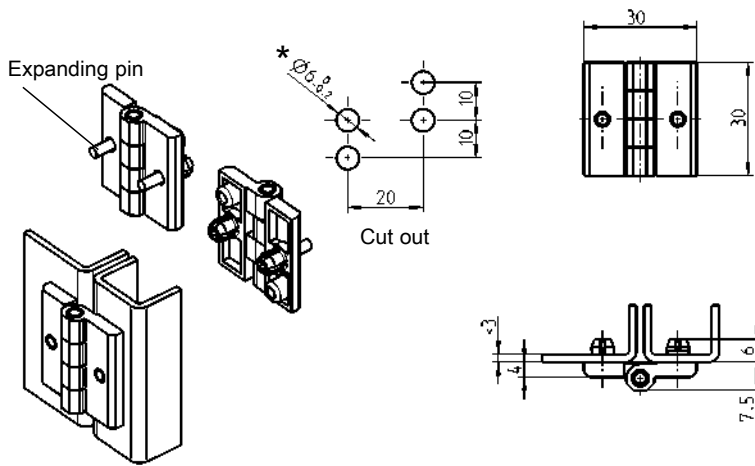
### Further parts see page

- 2D Nut 8E-120  
(only for 1056-U10-01)



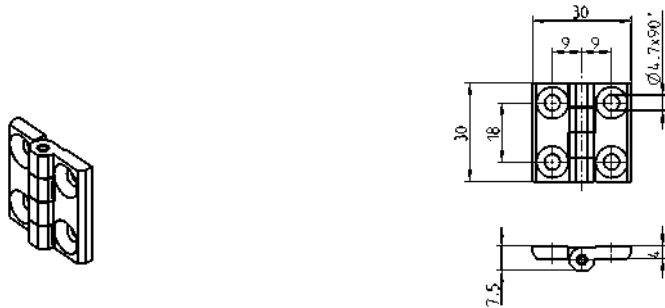
# 180° Screw-on hinge

## PROGRAM 1056



Hinge, hinge pin and expanding pins polyamide black

1056-U32



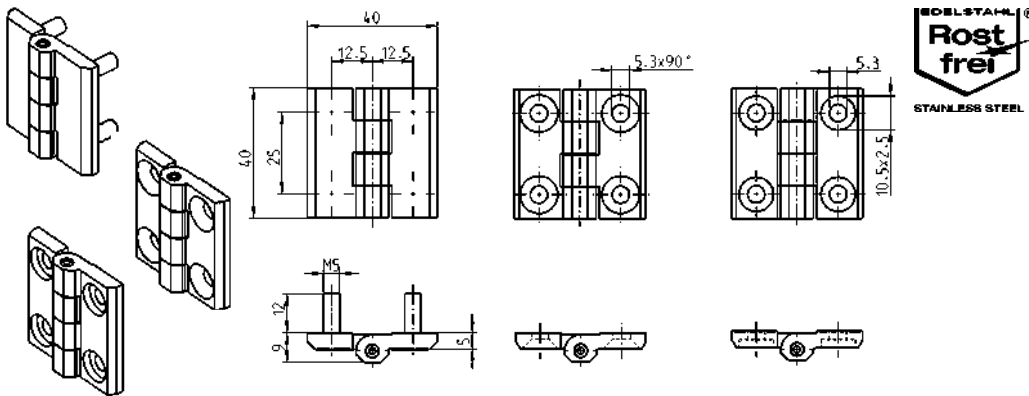
Screw-on hinge for countersunk screw M4; zinc die surface of choice; hinge pin stainless steel

black powder-coated

1056-U60

chrome-plated

1056-U61



Screw-on hinge zinc die, polyamide black or stainless steel; threaded stud M5 stainless steel

|                               | Pin       | Threaded stud M5 | for countersunk screw M5 | for cylinder screw M5 |
|-------------------------------|-----------|------------------|--------------------------|-----------------------|
| Zinc die chrome-pl.           | St. steel | 1056-U3          | 1056-U5                  | -                     |
| Zinc die black p.c.           | St. steel | 1056-U4          | 1056-U6                  | -                     |
| Polyamide GF black            | St. steel | -                | 1056-U30                 | 1056-U30-01           |
| Polyamide GF black            | Polyamide | -                | 1056-U41                 | -                     |
| AISI 316 bright polished      | St. steel | -                | 1056-U5-PPPH             | -                     |
| AISI 316 polished             | St. steel | -                | 1056-U5-PH               | -                     |
| AISI 316 pickled / passivated | St. steel | -                | 1056-U5-PVPH             | -                     |



AISI INOX



\*Attention:  
The specified dimension is a final dimension, please note for surface coatings.



1 Quarter turns

2 Rod controls

3 Locking systems

4 Hinges

5 Seals

6 Handles

7 Aluminium windows

8 Miscellaneous

9 Special catalogues

Index

Info

1 Quarter turns

2 Rod controls

3 Locking systems

4 Hinges

5 Seals

6 Handles

7 Aluminium windows

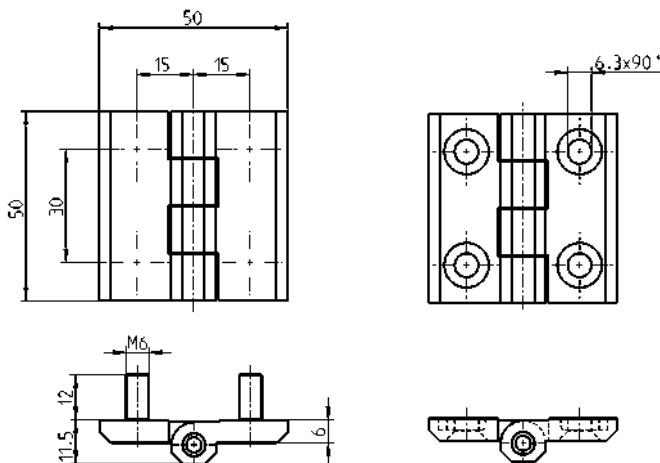
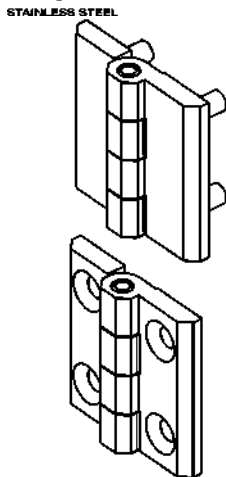
8 Miscellaneous

9 Special catalogues

Index



180° Screw-on hinge

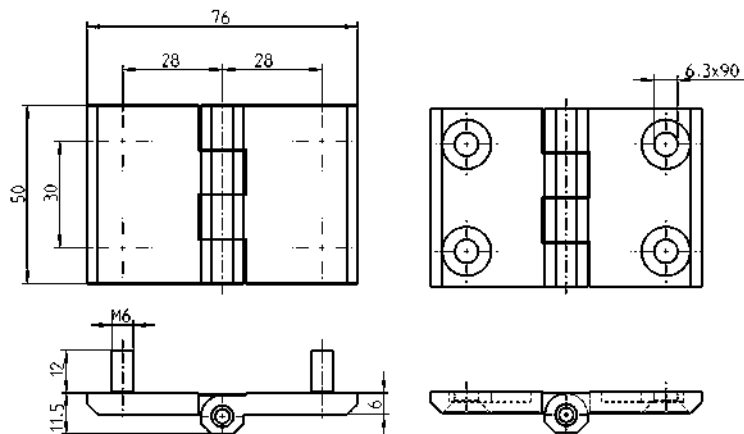
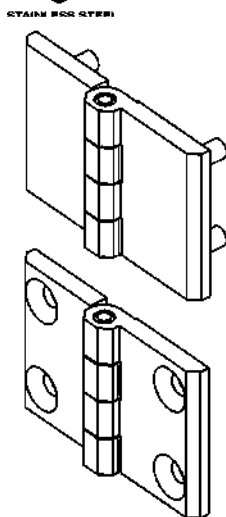


Screw-on hinge zinc die, polyamide black or stainless steel; threaded stud M6 stainless steel

|                               | Pin             | Threaded stud M6 | ① for countersunk screw M6 |
|-------------------------------|-----------------|------------------|----------------------------|
| ① = (2D nut possible)         |                 |                  |                            |
| Zinc die chrome-plated        | Stainless steel | 1056-U7          | 1056-U9                    |
| Zinc die black powder-coated  | Stainless steel | 1056-U8          | 1056-U10                   |
| Polyamide GF black            | Stainless steel | –                | 1056-U31                   |
| Polyamide GF black            | Polyamide       | –                | 1056-U42                   |
| AISI 316 bright polished      | Stainless steel | –                | 1056-U9-PPPH               |
| AISI 316 polished             | Stainless steel | –                | 1056-U9-PH                 |
| AISI 316 pickled / passivated | Stainless steel | –                | 1056-U9-PVPH               |



270° Screw-on hinge



Screw-on hinge zinc die or stainless steel; threaded stud M6 stainless steel

|                               | Pin             | Threaded stud M6 | ① for countersunk screw M6 |
|-------------------------------|-----------------|------------------|----------------------------|
| ① = (2D nut possible)         |                 |                  |                            |
| Zinc die chrome-plated        | Stainless steel | 1056-U15         | 1056-U17                   |
| Zinc die black powder-coated  | Stainless steel | 1056-U16         | 1056-U18                   |
| AISI 316 bright polished      | Stainless steel | –                | 1056-U17-PPPH              |
| AISI 316 polished             | Stainless steel | –                | 1056-U17-PH                |
| AISI 316 pickled / passivated | Stainless steel | –                | 1056-U17-PVPH              |

Further parts see page  
– 2D Nut

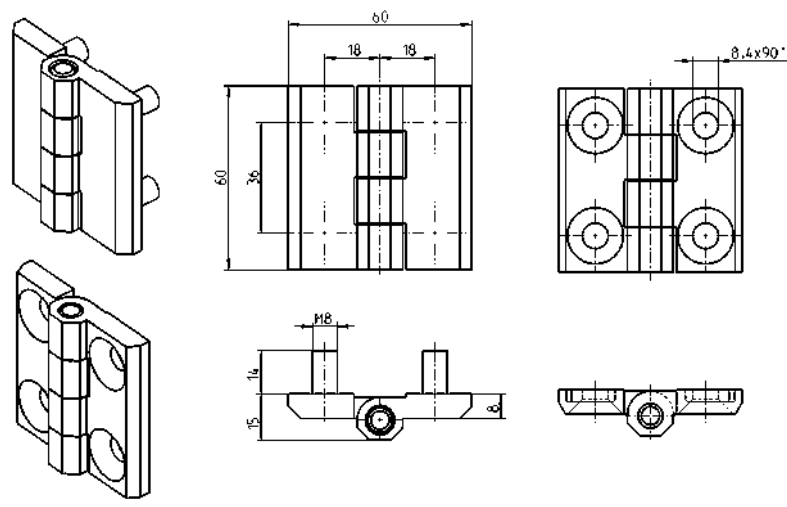
8E-120

# 180° Screw-on hinge

## PROGRAM 1056



**AISI INOX**



Screw-on hinge zinc die or stainless steel; threaded stud M8 stainless steel

|                               | Pin             | Threaded stud M8 | for countersunk screw M8 |
|-------------------------------|-----------------|------------------|--------------------------|
| Zinc die chrome-plated        | Stainless steel | 1056-U11         | 1056-U13                 |
| Zinc die black powder-coated  | Stainless steel | 1056-U12         | 1056-U14                 |
| Aluminium                     | Stainless steel | -                | 1056-U69                 |
| AISI 316 bright polished      | Stainless steel | -                | 1056-U13-PPPH            |
| AISI 316 polished             | Stainless steel | -                | 1056-U13-PH              |
| AISI 316 pickled / passivated | Stainless steel | -                | 1056-U13-PVPH            |

1 Quarter turns

2 Rod controls

3 Locking systems

4 Hinges

5 Seals

6 Handles

7 Aluminium windows

8 Miscellaneous

9 Special catalogues

Info

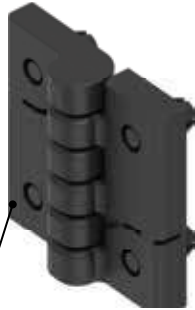
1 Quarter turns



2 Rod controls



3 Locking systems



Expanding pin

4 Hinges

5 Seals

6 Handles

**\*Attention:**  
The specified dimension is a final dimension, please note for surface coatings.

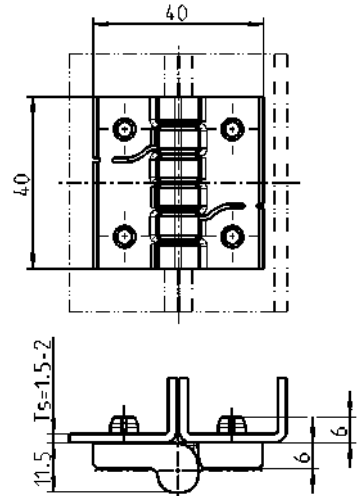
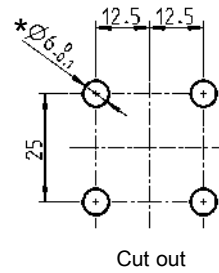
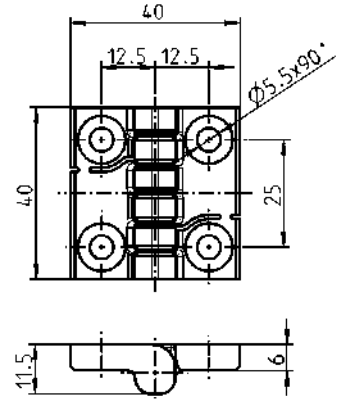
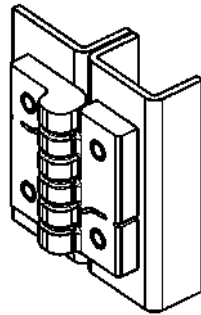
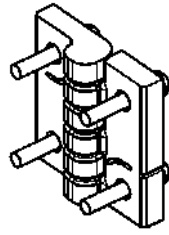
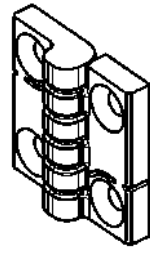
7 Aluminium windows



8 Miscellaneous

9 Special catalogues

Index



**Clip-in hinge for countersunk screw M5 polyamide GF colour of choice, unassembled**

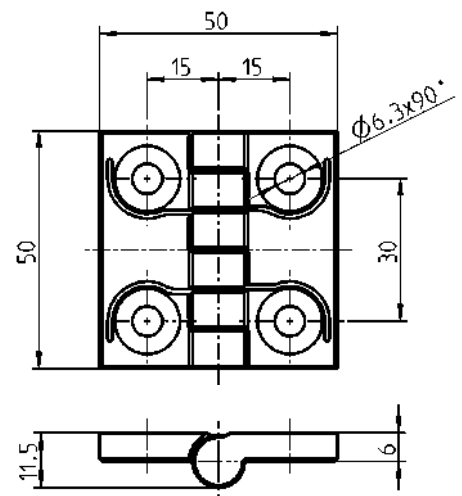
black 1056-U66

silver 1056-U66-HW

**Clip-in hinge with expansion pins polyamide GF black, unassembled**

on request

Mounting within seconds



**Clip-in hinge for countersunk screw M6 polyamide GF colour of choice, unassembled**

black 1056-U68

silver on request

# 180° Screw-on hinge

## PROGRAM 1056



1 Quarter turns

2 Rod controls

3 Locking systems

4 Hinges

5 Seals

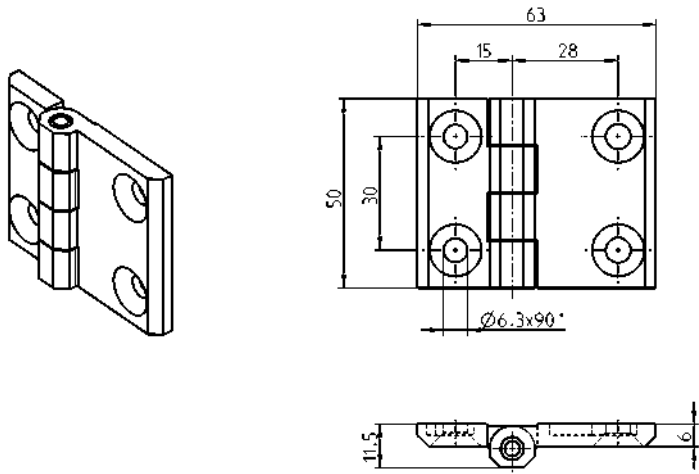
6 Handles

7 Aluminium windows

8 Miscellaneous

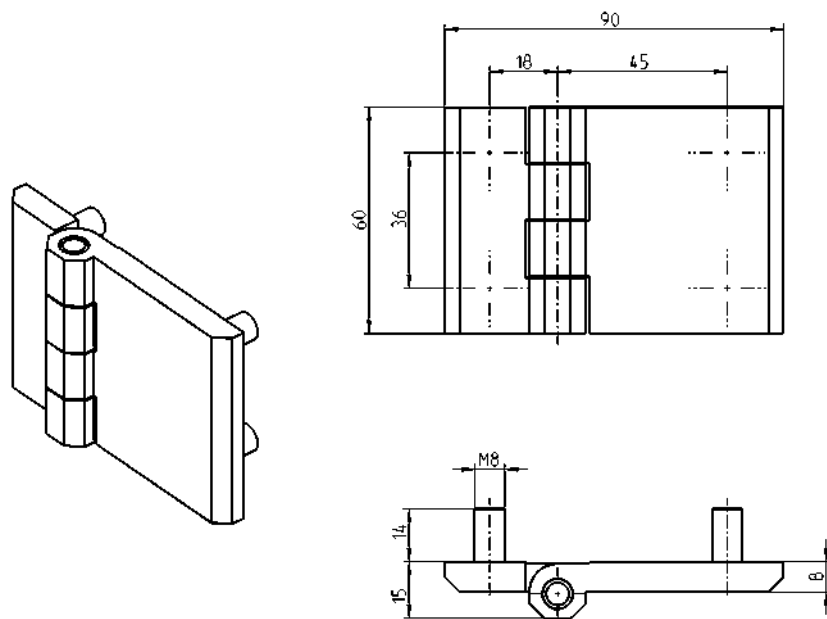
9 Special catalogues

Index



Screw-on hinge zinc die or stainless steel, pin stainless steel, for countersunk screw M6 (2D nut possible)

|                              |             |
|------------------------------|-------------|
| Zinc die black powder-coated | 1056-U59    |
| AISI 316                     | 1056-U59-PH |



Screw-on hinge zinc die, pin and threaded studs M8 stainless steel

|                     |          |
|---------------------|----------|
| chrome-plated       | 1056-U19 |
| black powder-coated | 1056-U20 |

Further parts see page 8E-120  
- 2D Nut

## 180° Screw-on hinge PROGRAM 1056

Info

1 Quarter turns



2 Rod controls



3 Locking systems



4 Hinges

5 Seals

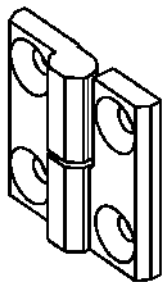
6 Handles

7 Aluminium windows

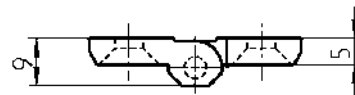
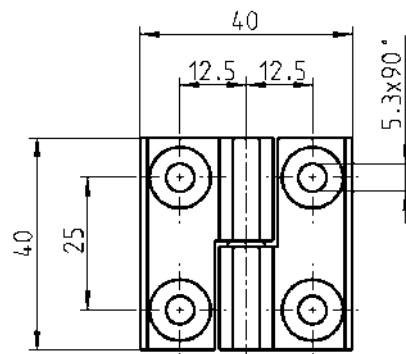
8 Miscellaneous

9 Special catalogues

Index



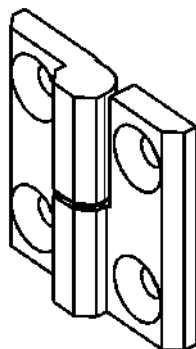
RH-version shown  
LH-version is a mirror-image



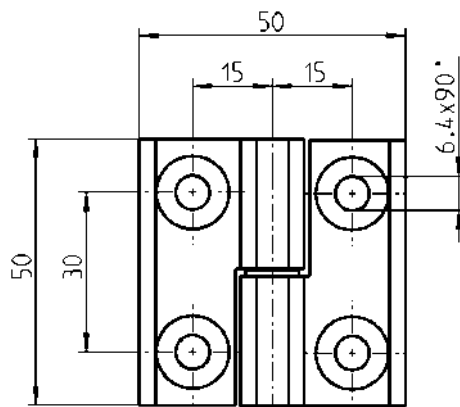
Screw-on hinge zinc die black powder-coated or AISI 316,  
washer polyamide black or teflon, pin stainless steel

for countersunk screw M5

|                    | Zinc die | AISI 316    |
|--------------------|----------|-------------|
| Left-hand version  | 1056-U54 | 1056-U54-PH |
| Right-hand version | 1056-U53 | 1056-U53-PH |



RH-version shown  
LH-version is a mirror-image



Screw-on hinge zinc die black powder-coated or AISI 316,  
washer polyamide black or teflon, pin stainless steel

for countersunk screw M6  
(2D nut possible)

|                    | Zinc die | AISI 316    |
|--------------------|----------|-------------|
| Left-hand version  | 1056-U56 | 1056-U56-PH |
| Right-hand version | 1056-U55 | 1056-U55-PH |

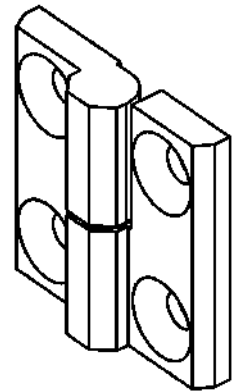
Further parts see page  
– 2D Nut

8E-120

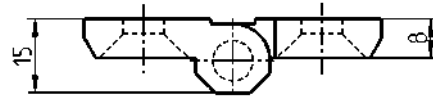
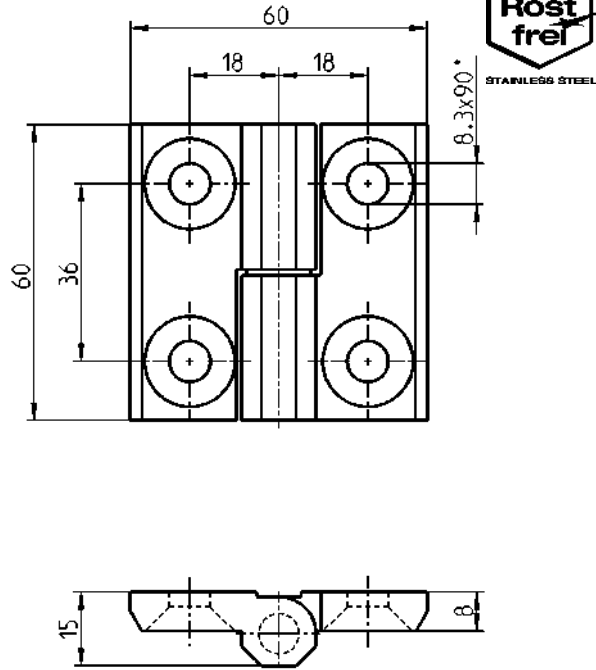


# 180° Screw-on hinge

## PROGRAM 1056



RH-version shown  
LH-version is a mirror-image



Screw-on hinge zinc die black powder-coated or AISI 316,  
washer polyamide black or teflon, pin stainless steel

for countersunk screw M8

Zinc die

AISI 316

Left-hand version

1056-U58

1056-U58-PH

Right-hand version

1056-U57

1056-U57-PH



1 Quarter turns

2 Rod controls

3 Locking systems

4 Hinges

5 Seals

6 Handles

7 Aluminium windows

8 Miscellaneous

9 Special catalogues

## 180° Screw-on hinge PROGRAM 1056

Info

1 Quarter turns



2 Rod controls



3 Locking systems



4 Hinges



5 Seals

Adjustable  $\pm 2$  mm  
in horizontal and  
vertical direction.

6 Handles



7 Aluminium windows



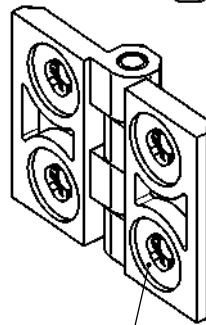
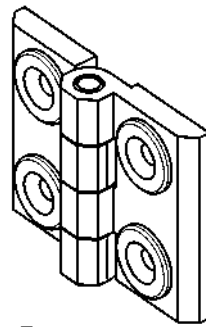
8 Miscellaneous

9 Special catalogues

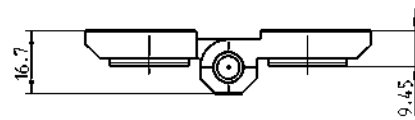
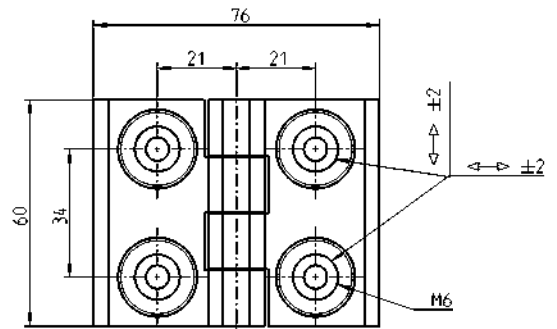
Further parts see page  
– 2D Nut

8E-120

### 180° 2D Screw-on hinge



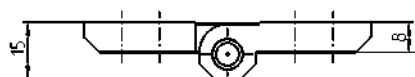
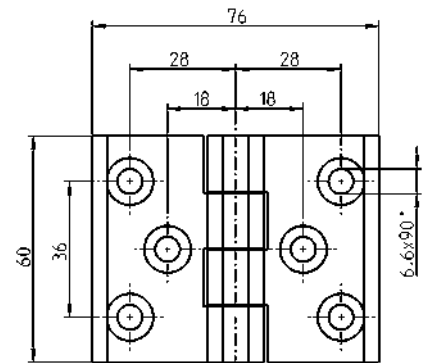
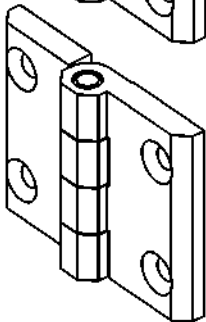
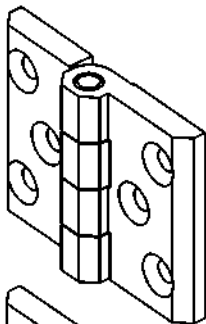
Recess for commercially available rivet nut M6



### 2D Screw-on hinge zinc die black powder-coated; pin stainless steel

1056-U27

### 180° Screw-on hinge



### Screw-on hinge zinc die black powder-coated; pin stainless steel

with 4 countersunk holes (2D nut possible)

1056-U29

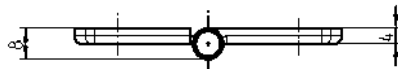
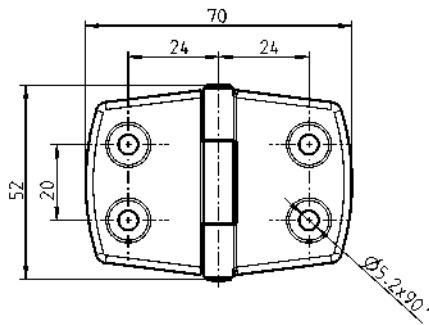
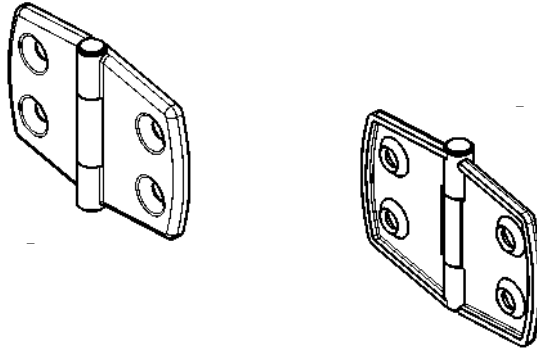
with 6 countersunk holes (2D nut possible)

1056-U28

Index

# 180° Screw-on hinge

## PROGRAM 6020



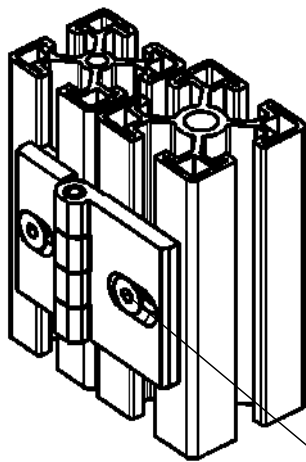
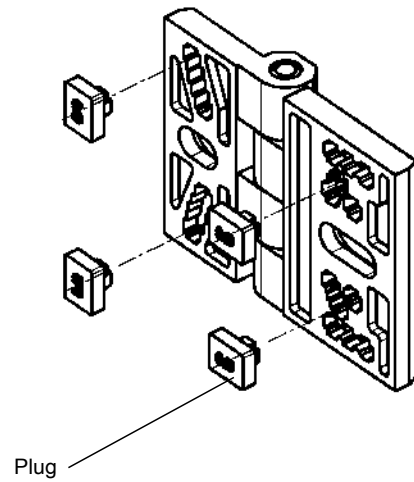
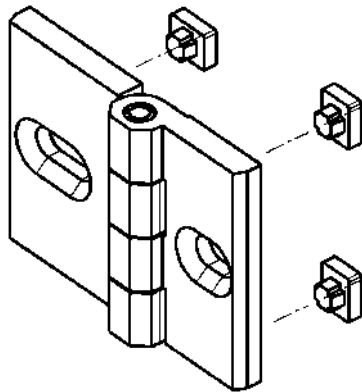
Screw-on hinge for countersunk screw small head M5, AISI 316 polished

6020-U1098-PP

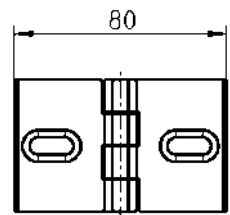
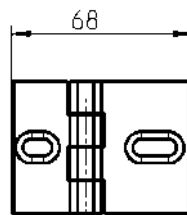
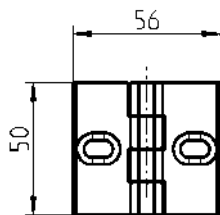
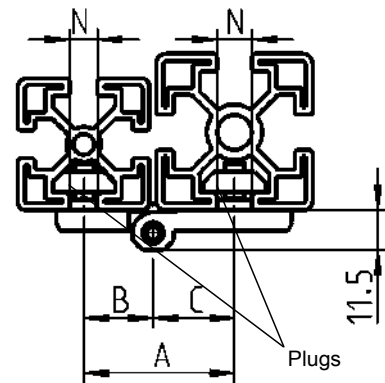
Small head = DIN ISO 2009, 2010, 7046-1, 7046-2, 7047

# Profile rail hinge

## PROGRAM 1056



\* for countersunk screw M6



Profile rail hinge zinc die black powder-coated, pin stainless steel, plug zinc die

|       |      |          |       |      |          |       |      |          |
|-------|------|----------|-------|------|----------|-------|------|----------|
| Plugs | 8x10 | 1056-U21 | Plugs | 8x10 | 1056-U22 | Plugs | 8x10 | 1056-U23 |
|       | 7x10 | 1056-U24 |       | 7x10 | 1056-U25 |       | 7x10 | 1056-U26 |



- Slot see back of hinge
- Can be used for different profiles
- 70 different distances (dimension A) by repositioning the plugs
- All hinges offer anti-rotation protection through four plugs for plug widths of N = 8 and 10 mm or N = 7 and 10 mm (other N dimensions on request).



| Plugs 8x10<br>Plugs 7x10 |      |      | 1056-U21<br>1056-U24 |      |      | Plugs 8x10<br>Plugs 7x10 |      |      | 1056-U22<br>1056-U25 |   |   | Plugs 8x10<br>Plugs 7x10 |   |   | 1056-U23<br>1056-U26 |   |   |
|--------------------------|------|------|----------------------|------|------|--------------------------|------|------|----------------------|---|---|--------------------------|---|---|----------------------|---|---|
| Slot                     |      |      | Slot                 |      |      | Slot                     |      |      | Slot                 |   |   | Slot                     |   |   | Slot                 |   |   |
| A                        | B    | C    | A                    | B    | C    | A                        | B    | C    | A                    | B | C | A                        | B | C | A                    | B | C |
| 33                       | 16.5 | 16.5 | 37.5                 | 16.5 | 21   | 42                       | 21   | 21   |                      |   |   |                          |   |   |                      |   |   |
| 34                       | 16.5 | 17.5 | 38                   | 16.5 | 21.5 | 42.5                     | 21   | 21.5 |                      |   |   |                          |   |   |                      |   |   |
| 35                       | 16.5 | 18.5 | 40                   | 16.5 | 23.5 | 44.5                     | 21   | 23.5 |                      |   |   |                          |   |   |                      |   |   |
| 35.5                     | 16.5 | 19   | 42.5                 | 16.5 | 26   | 47                       | 21   | 26   |                      |   |   |                          |   |   |                      |   |   |
| 36.5                     | 16.5 | 20   | 44                   | 16.5 | 27.5 | 48.5                     | 21   | 27.5 |                      |   |   |                          |   |   |                      |   |   |
| 35                       | 17.5 | 17.5 | 47.5                 | 16.5 | 31   | 52                       | 21   | 31   |                      |   |   |                          |   |   |                      |   |   |
| 36                       | 17.5 | 18.5 | 38.5                 | 17.5 | 21   | 43                       | 21.5 | 21.5 |                      |   |   |                          |   |   |                      |   |   |
| 36.5                     | 17.5 | 19   | 39                   | 17.5 | 21.5 | 45                       | 21.5 | 23.5 |                      |   |   |                          |   |   |                      |   |   |
| 37.5                     | 17.5 | 20   | 41                   | 17.5 | 23.5 | 47.5                     | 21.5 | 26   |                      |   |   |                          |   |   |                      |   |   |
| 37                       | 18.5 | 18.5 | 43.5                 | 17.5 | 26   | 49                       | 21.5 | 27.5 |                      |   |   |                          |   |   |                      |   |   |
| 37.5                     | 18.5 | 19   | 45                   | 17.5 | 27.5 | 52.5                     | 21.5 | 31   |                      |   |   |                          |   |   |                      |   |   |
| 38.5                     | 18.5 | 20   | 48.5                 | 17.5 | 31   | 47                       | 23.5 | 23.5 |                      |   |   |                          |   |   |                      |   |   |
| 38                       | 19   | 19   | 39.5                 | 18.5 | 21   | 49.5                     | 23.5 | 26   |                      |   |   |                          |   |   |                      |   |   |
| 39                       | 19   | 20   | 40                   | 18.5 | 21.5 | 51                       | 23.5 | 27.5 |                      |   |   |                          |   |   |                      |   |   |
| 40                       | 20   | 20   | 42                   | 18.5 | 23.5 | 54.5                     | 23.5 | 31   |                      |   |   |                          |   |   |                      |   |   |
|                          |      |      | 44.5                 | 18.5 | 26   | 52                       | 26   | 26   |                      |   |   |                          |   |   |                      |   |   |
|                          |      |      | 46                   | 18.5 | 27.5 | 53.5                     | 26   | 27.5 |                      |   |   |                          |   |   |                      |   |   |
|                          |      |      | 49.5                 | 18.5 | 31   | 57                       | 26   | 31   |                      |   |   |                          |   |   |                      |   |   |
|                          |      |      | 40                   | 19   | 21   | 55                       | 27.5 | 27.5 |                      |   |   |                          |   |   |                      |   |   |
|                          |      |      | 40.5                 | 19   | 21.5 | 58.5                     | 27.5 | 31   |                      |   |   |                          |   |   |                      |   |   |
|                          |      |      | 42.5                 | 19   | 23.5 | 62                       | 31   | 31   |                      |   |   |                          |   |   |                      |   |   |
|                          |      |      | 45                   | 19   | 26   |                          |      |      |                      |   |   |                          |   |   |                      |   |   |
|                          |      |      | 46.5                 | 19   | 27.5 |                          |      |      |                      |   |   |                          |   |   |                      |   |   |
|                          |      |      | 50                   | 19   | 31   |                          |      |      |                      |   |   |                          |   |   |                      |   |   |
|                          |      |      | 41                   | 20   | 21   |                          |      |      |                      |   |   |                          |   |   |                      |   |   |
|                          |      |      | 41.5                 | 20   | 21.5 |                          |      |      |                      |   |   |                          |   |   |                      |   |   |
|                          |      |      | 43.5                 | 20   | 23.5 |                          |      |      |                      |   |   |                          |   |   |                      |   |   |
|                          |      |      | 46                   | 20   | 26   |                          |      |      |                      |   |   |                          |   |   |                      |   |   |
|                          |      |      | 47.5                 | 20   | 27.5 |                          |      |      |                      |   |   |                          |   |   |                      |   |   |
|                          |      |      | 51                   | 20   | 31   |                          |      |      |                      |   |   |                          |   |   |                      |   |   |

\*not included in the scope of delivery



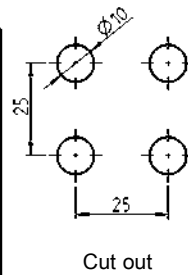
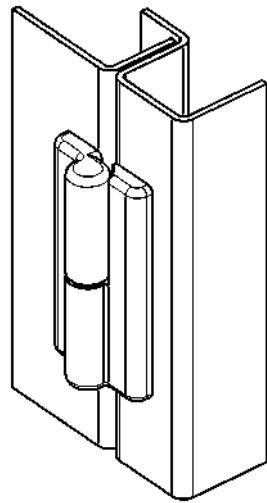
**Assembly:**

Hinge is fixed by driving in the polyamide pins. The pull-out force in Z direction is 1500 N.

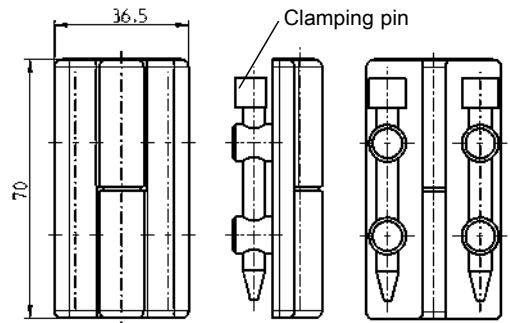


\*not included in the scope of delivery

Small head = DIN ISO 2009, 2010, 7046-1, 7046-2, 7047



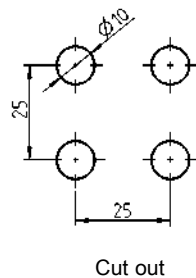
Cut out



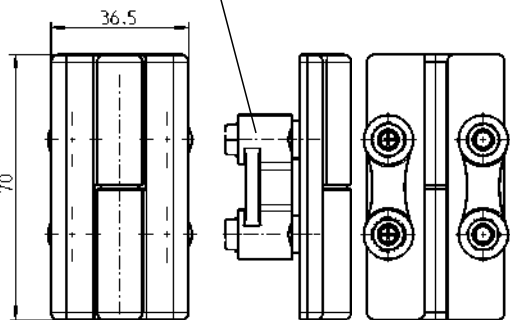
Clamping pin



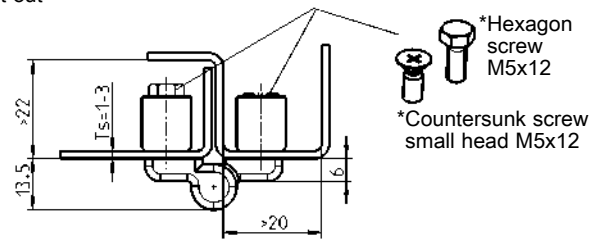
Support plate has to be ordered sep. for different door gauges (1x per clamping pin)



Cut out



Fastening bow



\*Hexagon screw M5x12  
\*Countersunk screw small head M5x12

Hinge with clamping pin zinc die black powder-coated or polyamide GF black; clamping pin Polyamide GF black, pin stainless steel

|          |       | Zinc die | Polyamide |
|----------|-------|----------|-----------|
| Ts = 1.5 | Right | –        | 1056-U49  |
| Ts = 1.5 | Left  | –        | 1056-U50  |
| Ts = 2.0 | Right | 1056-U35 | –         |
| Ts = 2.0 | Left  | 1056-U33 | –         |

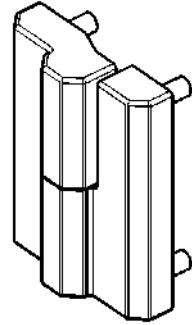
Hinge with fastening bow zinc die black powder-coated; pin stainless steel

|       |          |
|-------|----------|
| Right | 1056-U44 |
| Left  | 1056-U43 |

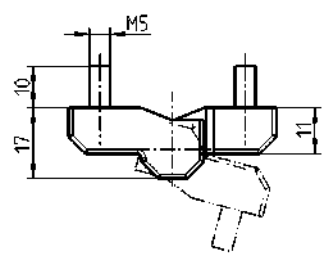
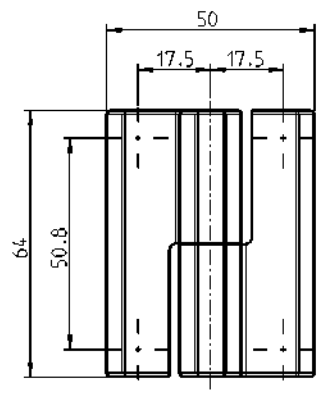
Support plate AISI 304 (1x per clamping pin)

| Hinge for Ts | change to Ts |            |
|--------------|--------------|------------|
| 1.5          | 1.0          | 1110-39-02 |
| 2.0          | 1.0          | 1110-39-03 |
| 2.0          | 1.5          | 1110-39-02 |

# 160° Screw-on hinge PROGRAM 1056



RH-version shown  
LH-version is a mirror-image



Screw-on hinge zinc die black powder-coated or chrome-plated; washer teflon white; hinge pin m.s. zinc-plated

|                    | black powder-coated | chrome-plated |
|--------------------|---------------------|---------------|
| Left-hand version  | 1056-U62            | 1056-U64      |
| Right-hand version | 1056-U63            | 1056-U65      |

Info

1 Quarter turns



2 Rod controls



3 Locking systems



4 Hinges



5 Seals

6 Handles



7 Aluminium windows

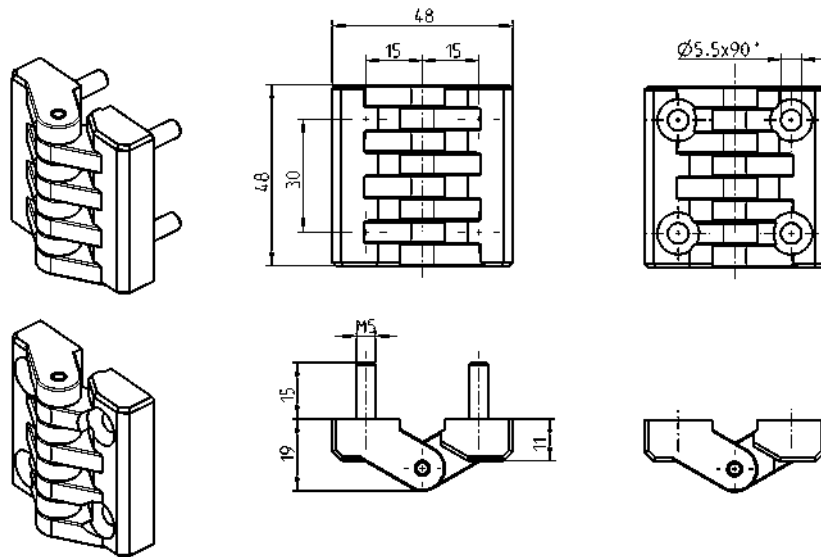


8 Miscellaneous

9 Special catalogues

Further parts see page  
– 2D Nut

8E-120



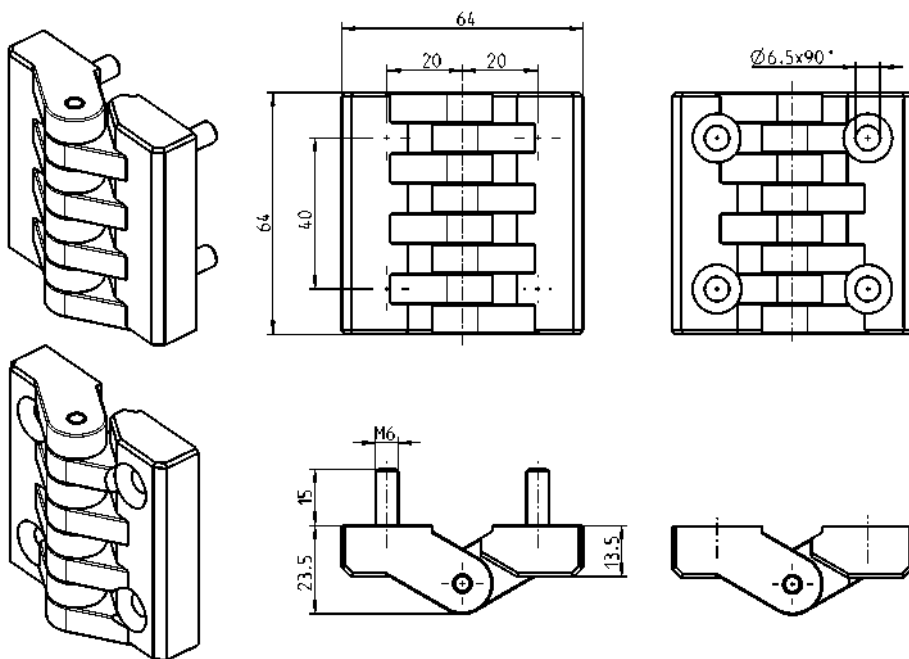
Screw-on hinge polyamide GF black; pin m.s. zinc-plated

for countersunk screw M5

1056-U37

with threaded stud M5

1056-U38



Screw-on hinge polyamide GF black; pin m.s. zinc-plated

for countersunk screw M6 (2D nut possible)

1056-U39

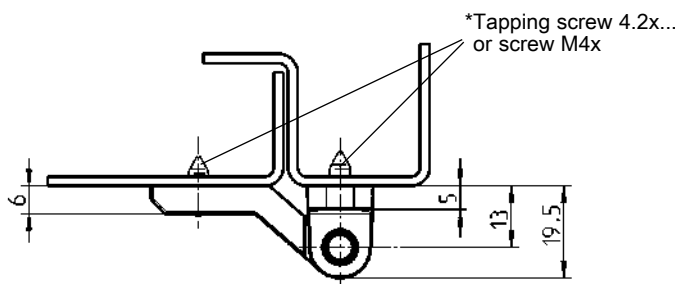
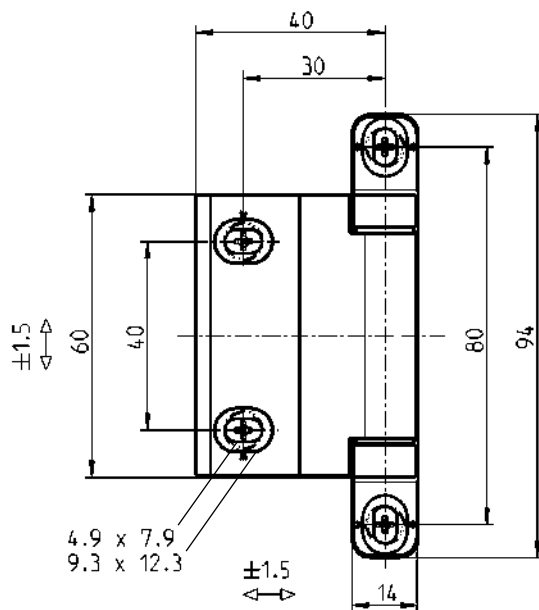
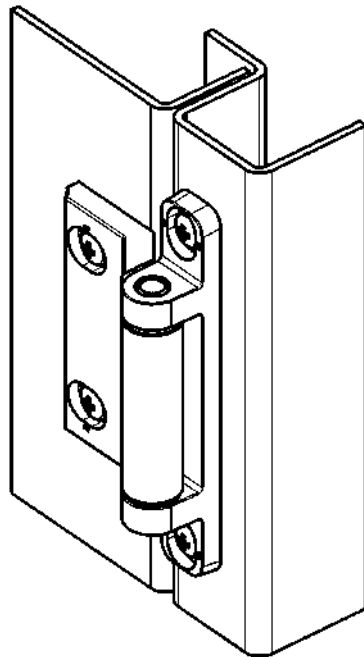
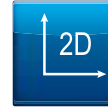
with threaded stud M6

1056-U40

Index



# 180° 2D Hinge PROGRAM 1054



\*not included in the scope of delivery

180° 2D Hinge zinc die black powder-coated, pin stainless steel, bushes polyamide

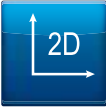
1054-U37

Info

1 Quarter turns



2 Rod controls



3 Locking systems



4 Hinges

Right-hand or left-hand version  
by turning around the hinge leaf.

Hinge pin is self-gripping

5 Seals



6 Handles

7 Aluminium windows

8 Miscellaneous

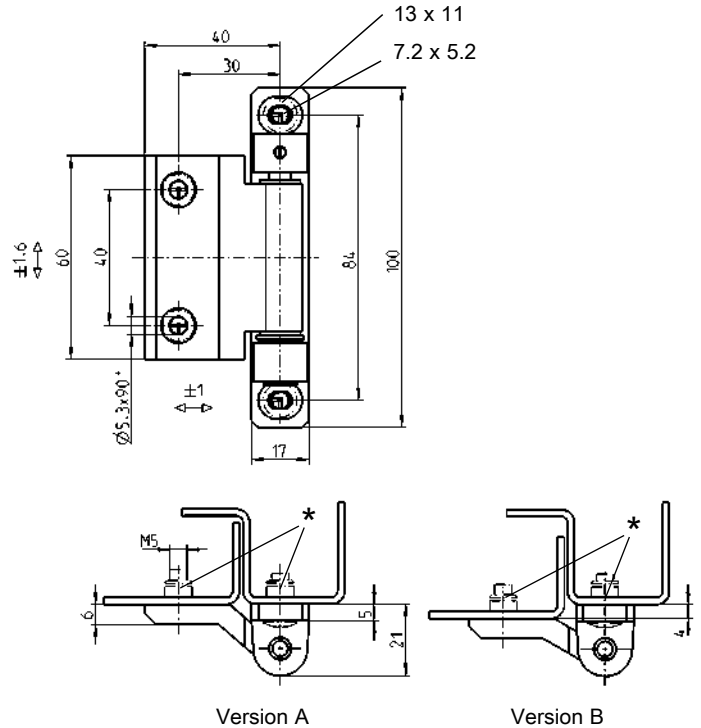
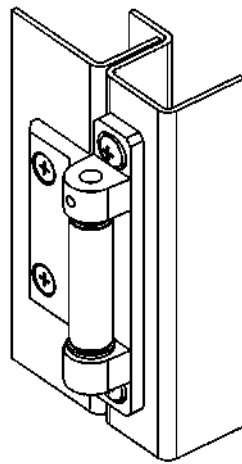
9 Special catalogues

\*not included in the scope of  
delivery

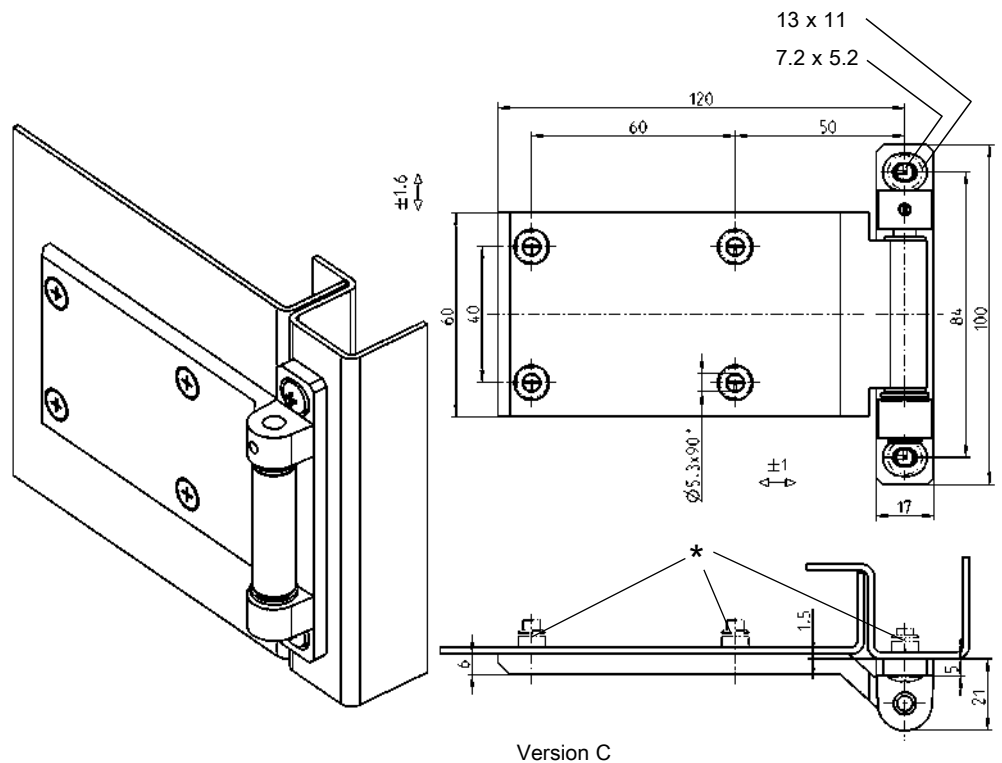
Small head = DIN ISO 2009,  
2010, 7046-1, 7046-2, 7047

Index

4B-250



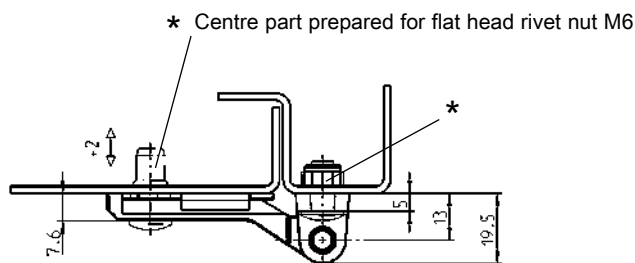
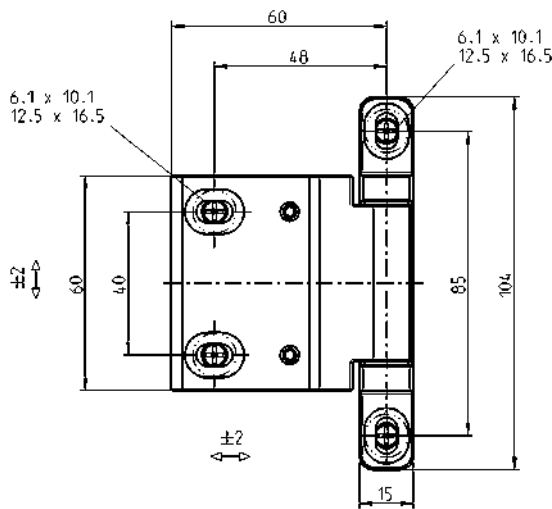
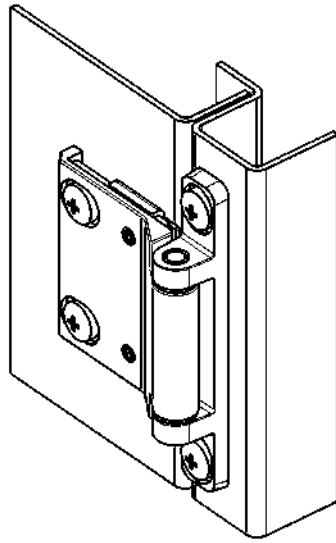
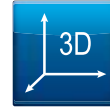
Countersunk for small head countersunk screws M5x



2D Screw-on hinge frame part and centre part zinc die surface of choice;  
shaft brass nickel-plated; washer m.s. zinc-plated; bush polyamide

|                     | Version A   | Version B   | Version C   |
|---------------------|-------------|-------------|-------------|
| black powder-coated | 1054-U33-01 | 1054-U34-01 | 1054-U35-01 |
| raw                 | 1054-U33-02 | 1054-U34-02 | 1054-U35-02 |

# 180° 3D Screw-on hinge PROGRAM 1054



3D Screw-on hinge frame part and centre part zinc die black powder-coated; shaft, pin and washers stainless steel; bushes plastic

1054-U42-01

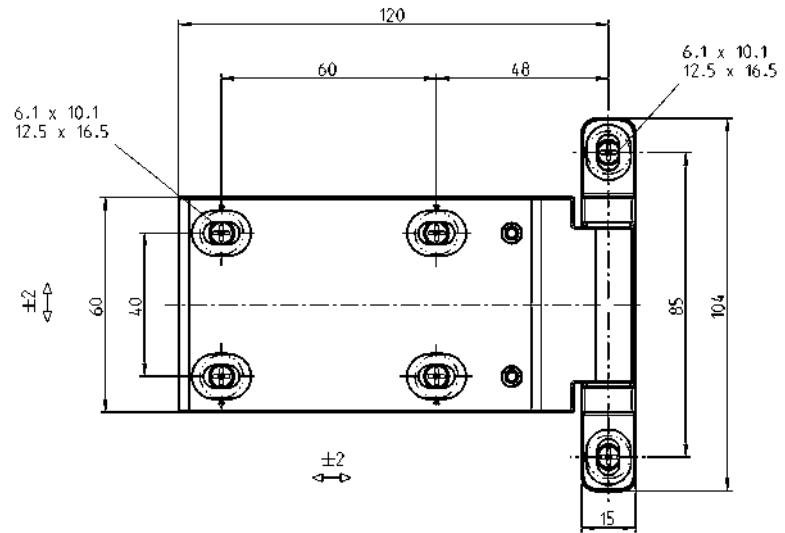
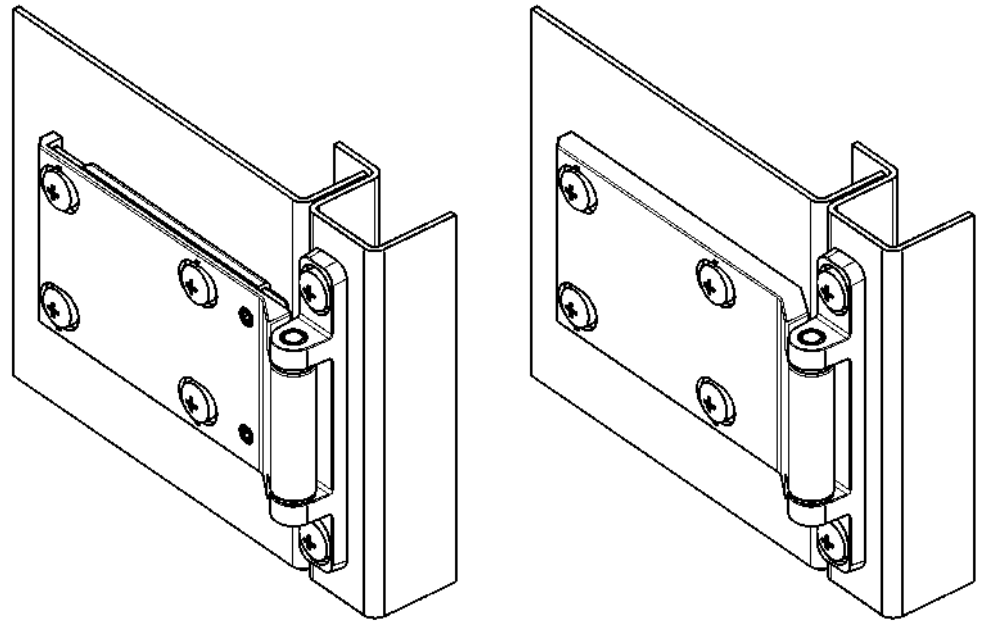
\*Oval head screw  
DIN ISO 7380 M6x...  
not included in scope of delivery



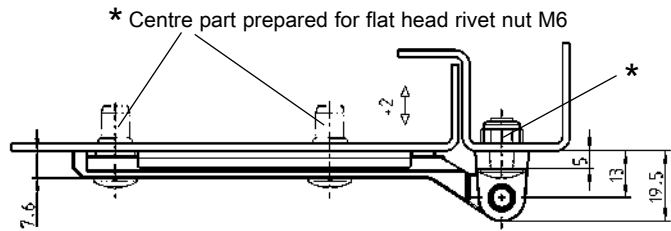
3D Screw-on hinge



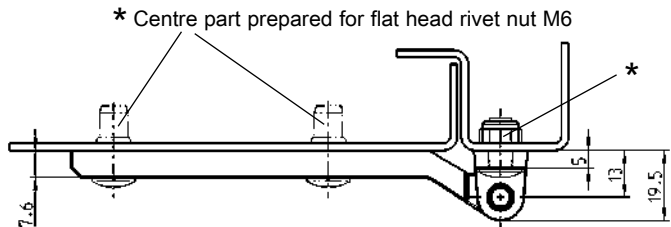
2D Screw-on hinge



3D Screw-on hinge



2D Screw-on hinge



3D Screw-on hinge frame part and centre part zinc die black powder-coated;  
shaft, pin and washers stainless steel; bushes plastic

1054-U43-01

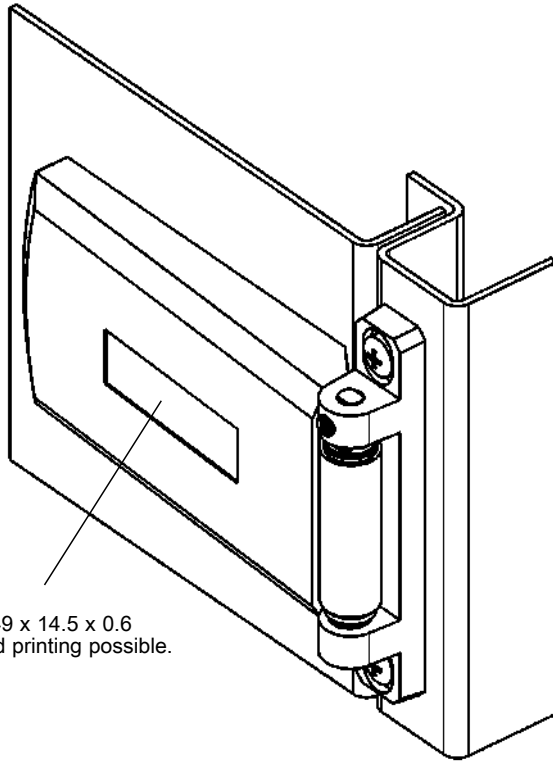
2D Screw-on hinge frame part and centre part zinc die black powder-coated;  
shaft stainless steel; bushes plastic

1054-U44-01

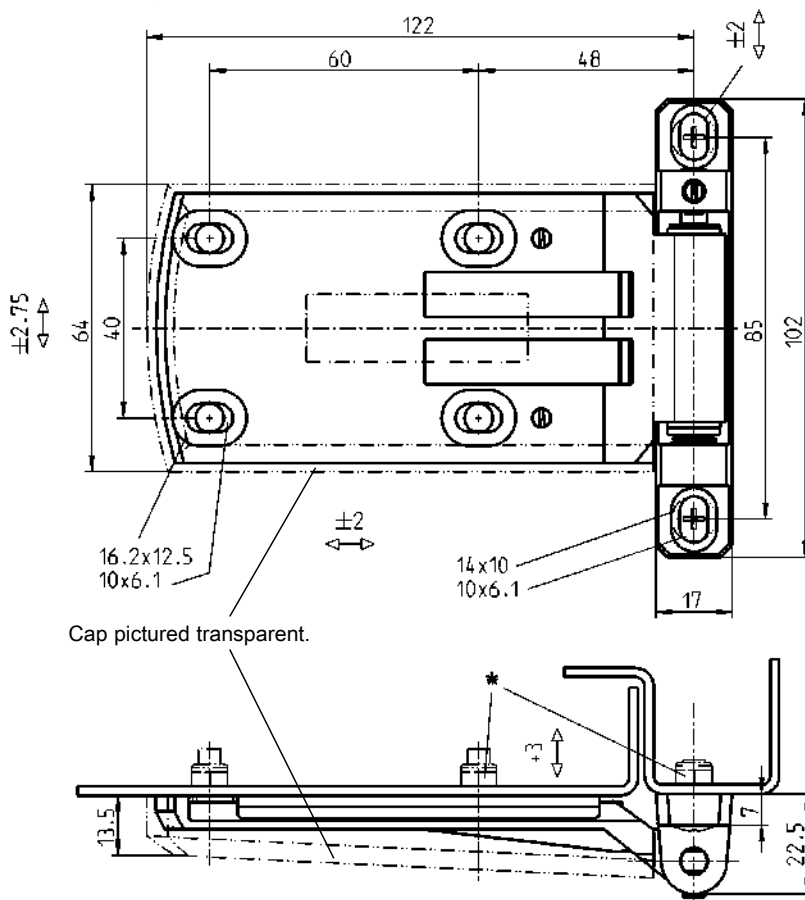
\*Oval head screw  
DIN ISO 7380 M6x...  
not included in scope of delivery

# 180° 3D Screw-on hinge

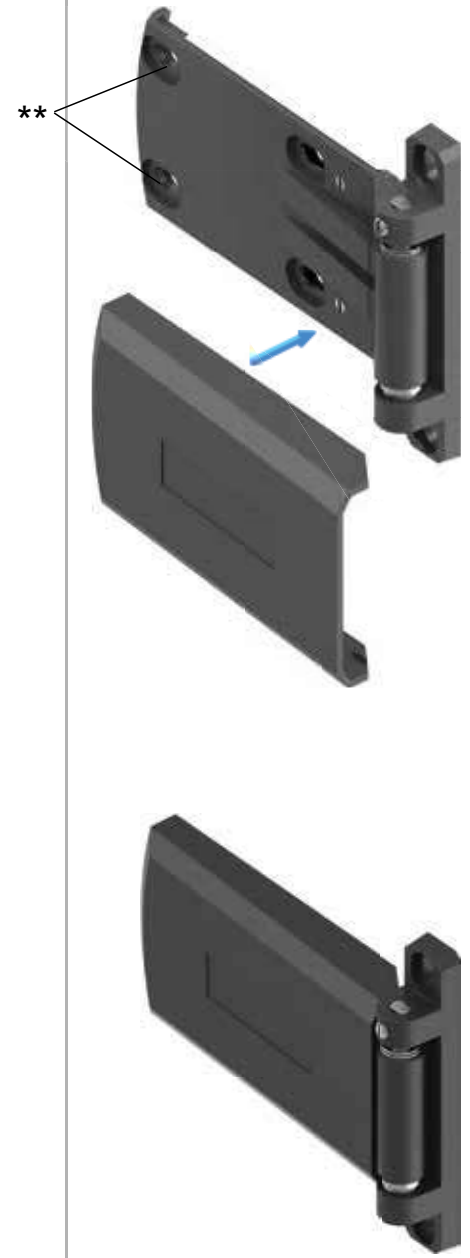
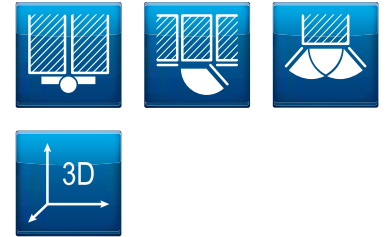
## PROGRAM 1054



Logo recess: 49 x 14.5 x 0.6  
Multicolour pad printing possible.



Cap pictured transparent.



\*not included in the scope of delivery

\*\*Only screws with flat head or with max. head height 5 mm can be used

Right-hand or left-hand version by turning around the hinge leaf.

3D Screw-on hinge frame part and centre part zinc die black powder-coated; shaft stainless steel; pin and washer steel zinc-plated; cap and bush polyamide black

|                    |             |
|--------------------|-------------|
| Right-hand version | 1054-U36-RE |
| Left-hand version  | 1054-U36-LI |

Info

1 Quarter turns



2 Rod controls



3 Locking systems

4 Hinges



5 Seals

6 Handles

7 Aluminium windows

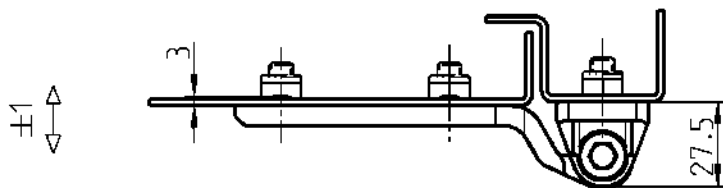
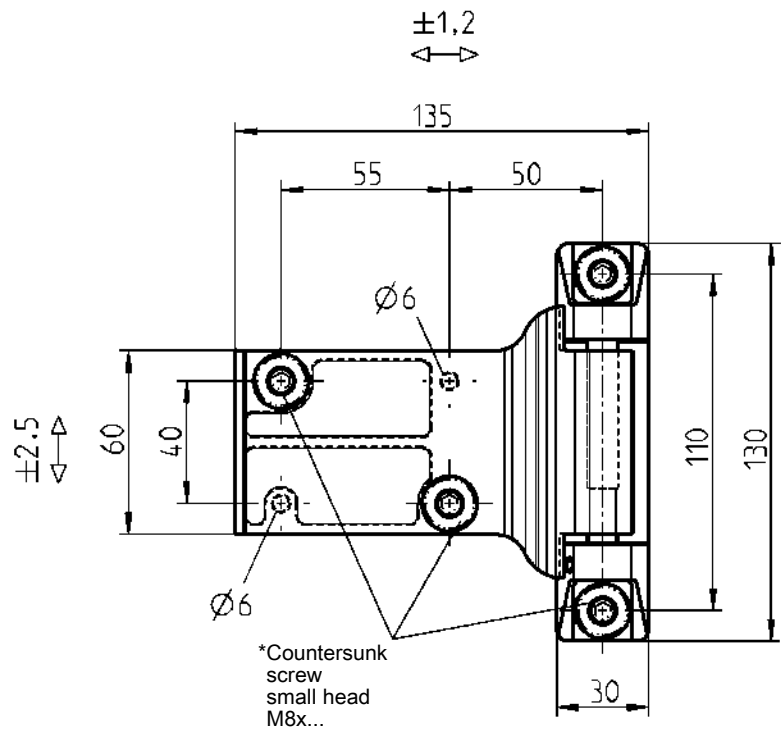
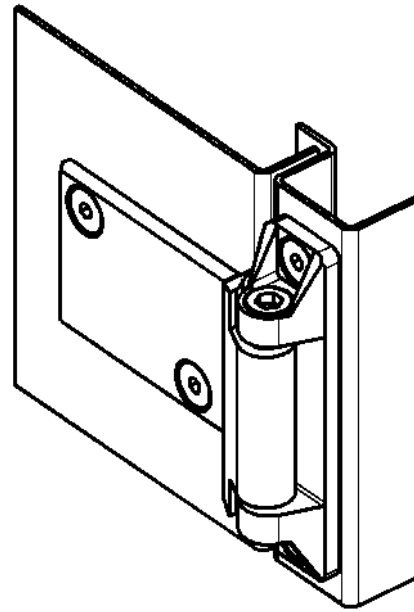
8 Miscellaneous

9 Special catalogues

Index

\*not included in the scope of delivery

Small head = DIN ISO 2009, 2010, 7046-1, 7046-2, 7047



3D Screw-on hinge zinc die, shaft and grub screw stainless steel

|                     | Left-hand version | Right-hand version |
|---------------------|-------------------|--------------------|
| black powder-coated | 1054-U32          | 1054-U31           |
| raw                 | 1054-U32-01       | 1054-U31-01        |

# 180° Screw-on hinge

## PROGRAM 1054



1 Quarter turns

2 Rod controls

3 Locking systems

4 Hinges

5 Seals

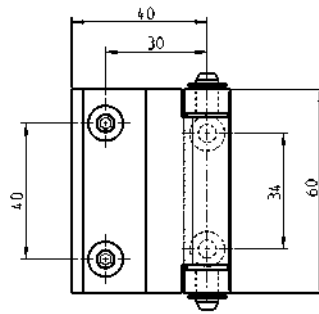
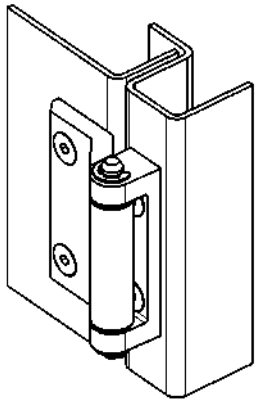
6 Handles

7 Aluminium windows

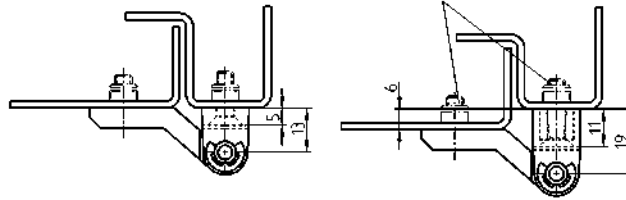
8 Miscellaneous

9 Special catalogues

Index



\*Countersunk screw small head M5x...



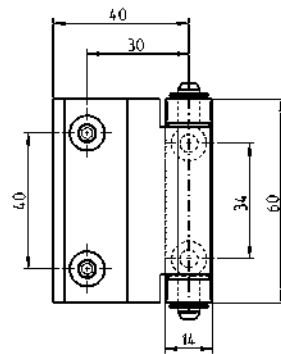
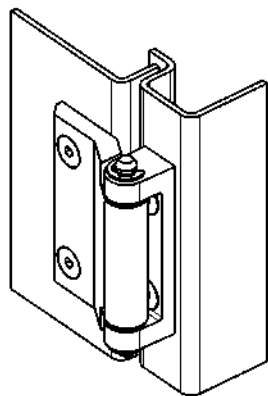
### Screw-on hinge zinc die, pin and washer m.s. zinc-plated and bushes polyamide

|                     | normal     | 6 mm higher |
|---------------------|------------|-------------|
| chrome-plated       | 1054-U4    | 1054-U27    |
| black powder-coated | 1054-U5    | 1054-U28    |
| raw                 | 1054-U22** | 1054-U29**  |

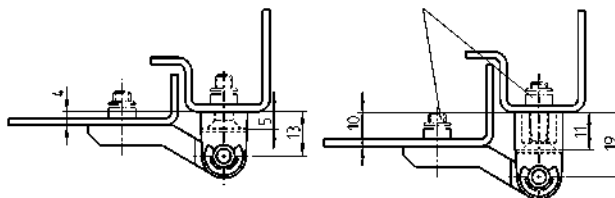
\*\* = Minimum order quantity 1000 pieces

### Screw-on hinge AISI 316 and bushes polyamide

|  |            |   |
|--|------------|---|
|  | 1054-U5-PH | - |
|--|------------|---|



\*Countersunk screw small head M5x...



### Screw-on hinge zinc die, pin and washer m.s. zinc-plated and bushes polyamide

|                     | 4 mm higher | 10 mm higher |
|---------------------|-------------|--------------|
| chrome-plated       | 1054-U7     | 1054-U19     |
| black powder-coated | 1054-U10    | 1054-U20     |
| raw                 | 1054-U18**  | 1054-U21**   |

\*\* = Minimum order quantity 1000 pieces

\*not included in the scope of delivery

Small head = DIN ISO 2009, 2010, 7046-1, 7046-2, 7047



Info

1 Quarter turns

2 Rod controls

3 Locking systems

4 Hinges

5 Seals

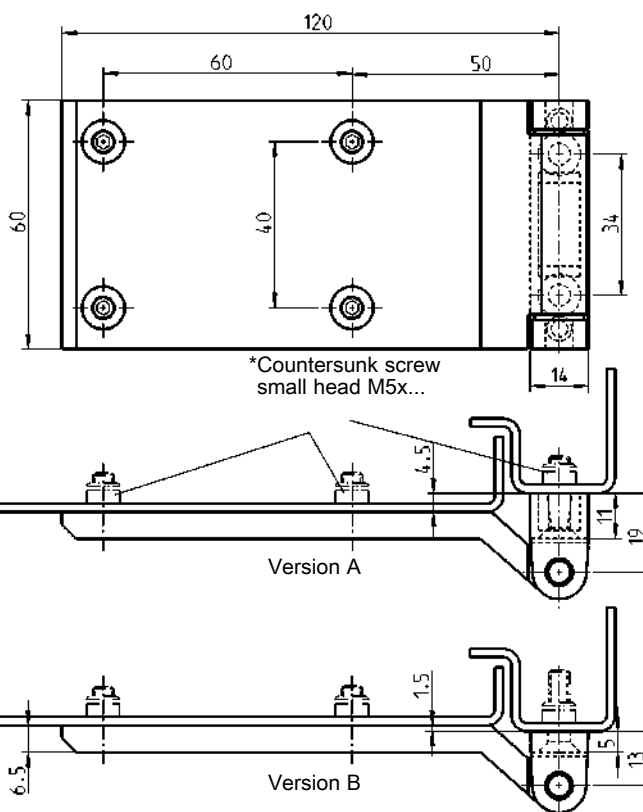
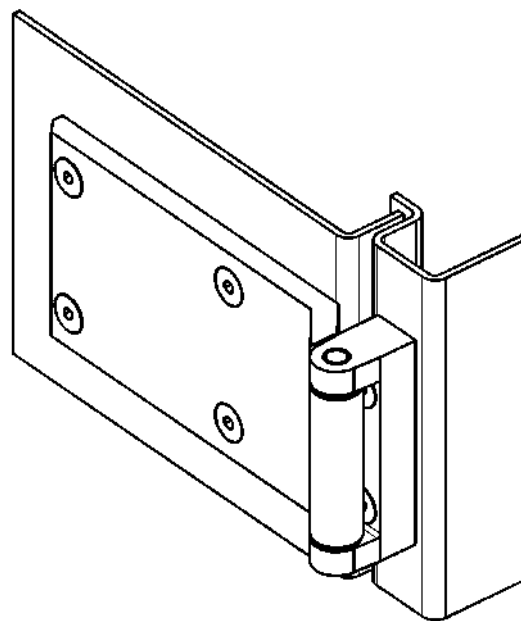
6 Handles

7 Aluminium windows

8 Miscellaneous

9 Special catalogues

Index



\*not included in the scope of delivery

Small head = DIN ISO 2009, 2010, 7046-1, 7046-2, 7047

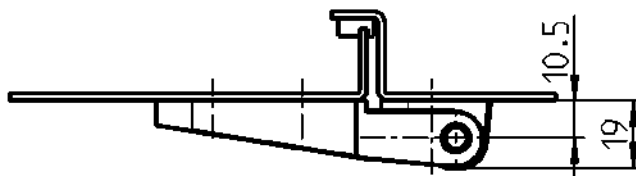
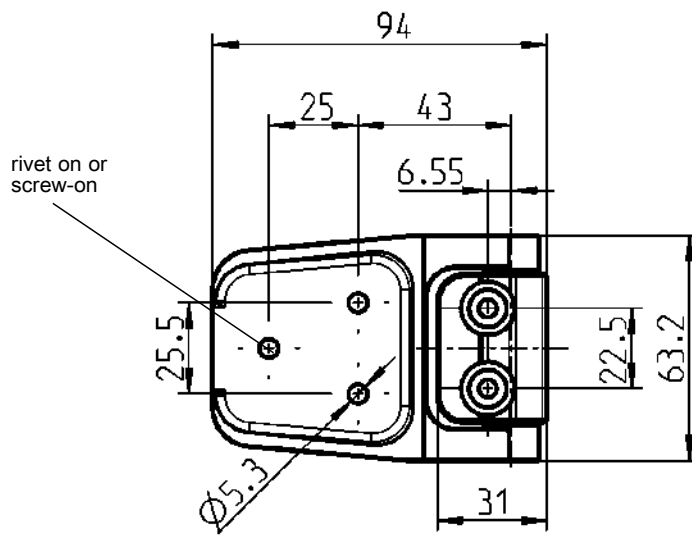
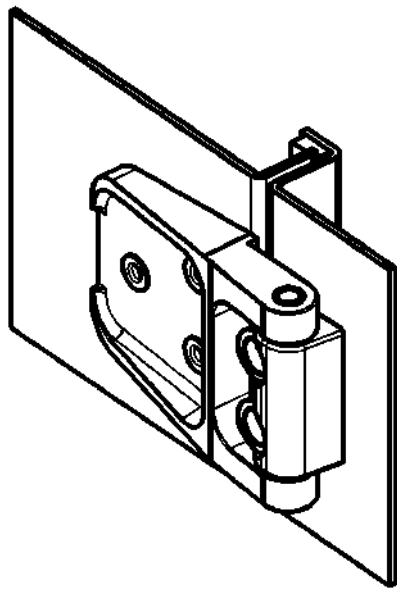
Screw-on hinge zinc die, pin stainless steel, bushes polyamide

|                     | Version A  | Version B  |
|---------------------|------------|------------|
| black powder-coated | 1054-U11   | 1054-U6    |
| raw                 | 1054-U13** | 1054-U12** |

\*\* = Minimum order quantity 1000 pieces



180° Hinge  
PROGRAM 1054, 1091



1 Quarter turns

2 Rod controls

3 Locking systems

4 Hinges

5 Seals

6 Handles

7 Aluminium windows

8 Miscellaneous

9 Special catalogues

Index



**Application**  
Suitable for sandwich doors

Hinge polyamide GF black, pin m.s. zinc-plated

1091-U117

Info

1 Quarter turns



2 Rod controls



3 Locking systems



4 Hinges

5 Seals

Height adjustment  $\pm 4$  mm

6 Handles

Right-hand or left-hand version by turning around the hinge leaf.

7 Aluminium windows

8 Miscellaneous

\*not included in the scope of delivery

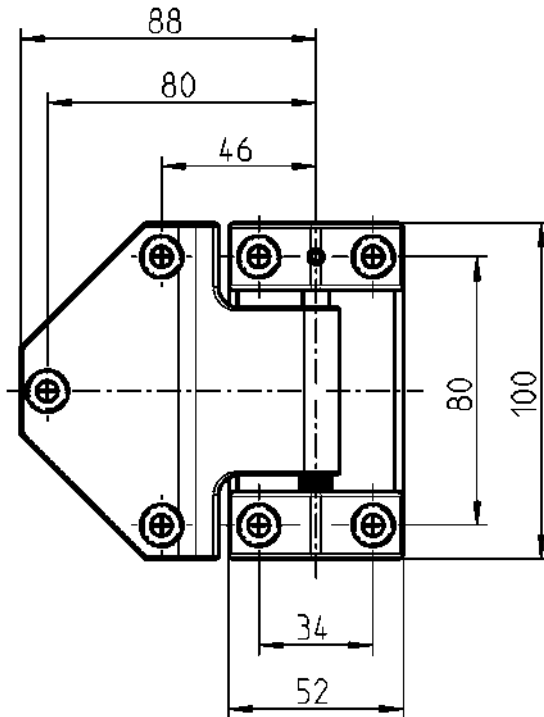
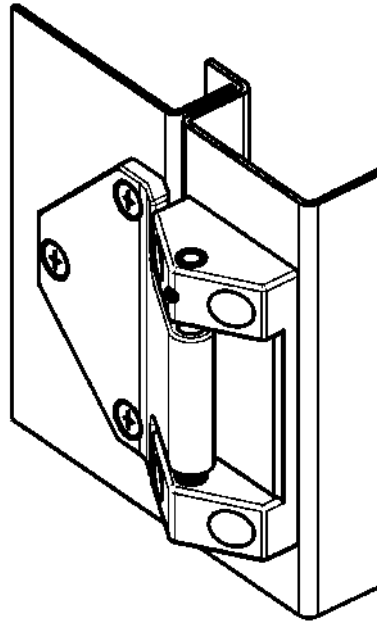
Small head = DIN ISO 2009, 2010, 7046-1, 7046-2, 7047

Further parts see page  
- 2D Nut

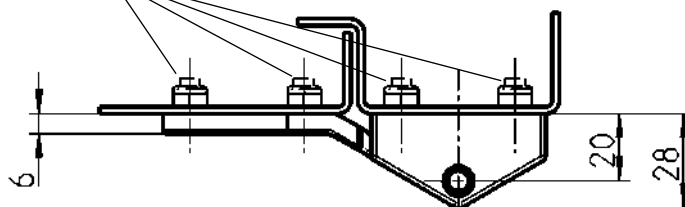
8E-120

Index

4B-320 03/13



\*Countersunk screw small head M6x...



Screw-on hinge adjustable stainless steel 1.4571, washer and hinge pin stainless steel

1054-U39

# Pin hinge Program 1117



- 1 Pin hinge, weld-on
- 2 Pin hinge, screw-on and rivet-on
- 3 Pin hinge, clip-in

4C-120  
4C-120  
4C-130

**4C-100**

Info

1 Quarter turns

2 Rod controls

3 Locking systems

**4 Hinges**

5 Seals

6 Handles

7 Aluminium windows

8 Miscellaneous

9 Special catalogues

Index

## Pin hinge PROGRAM 1117

Info

1 Quarter turns



2 Rod controls



AISI INOX

3 Locking systems



4 Hinges

5 Seals



6 Handles

7 Aluminium windows

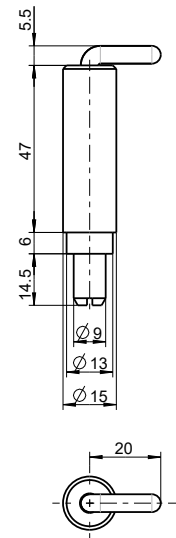
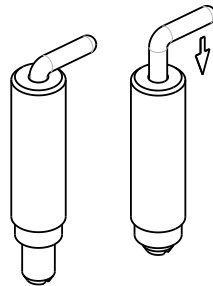
8 Miscellaneous

9 Special catalogues

Index



spring-loaded

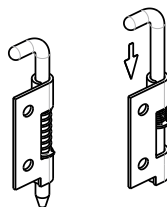


Pin hinge m.s. zinc-plated, spring material spring steel zinc-plated, guide sleeve m.s. raw or AISI 304, pin AISI 303, spring stainless steel

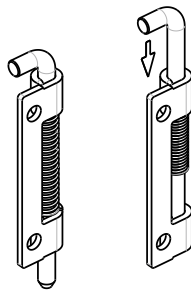
|      |            |
|------|------------|
| m.s. | 1117-U1    |
| AISI | 1117-U1-PF |



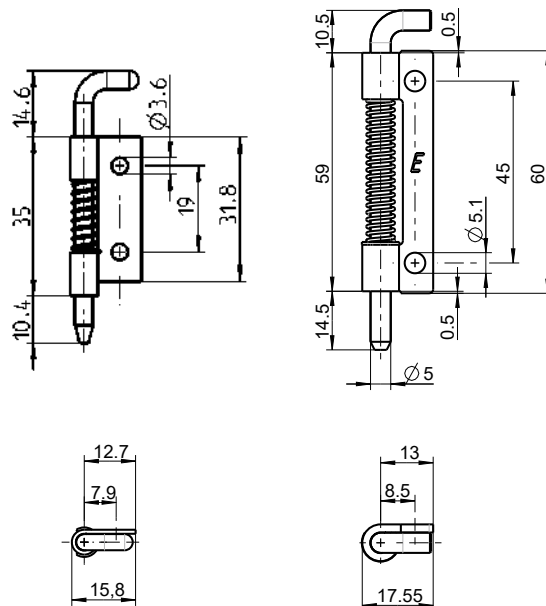
spring-loaded



Version A



Version B



Pin hinge m.s. zinc-plated, spring material spring steel zinc-plated

|                  |         |                 |         |
|------------------|---------|-----------------|---------|
| Version A, right | 1117-U2 | Version A, left | 1117-U3 |
| Version B, right | 1117-U4 | Version B, left | 1117-U5 |

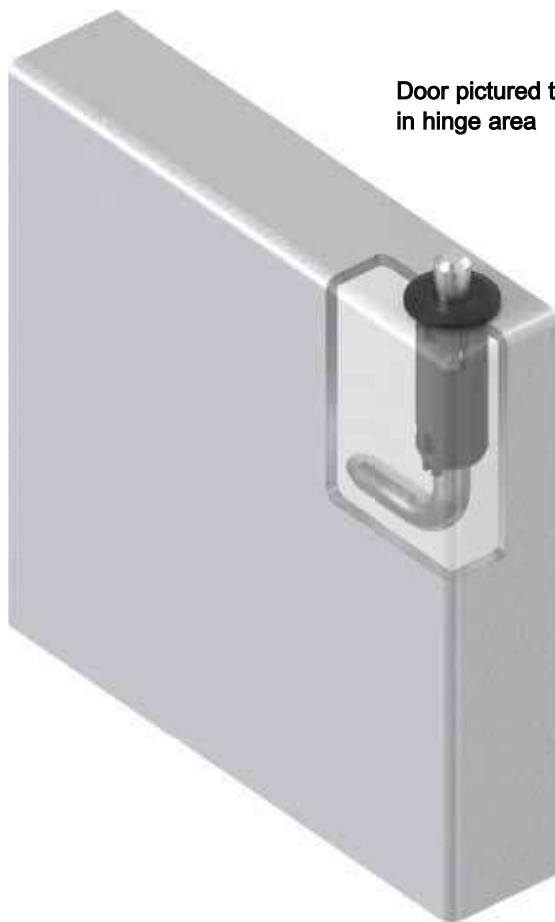
Pin hinge AISI 304, pin AISI 303, spring stainless steel

|                  |            |                 |            |
|------------------|------------|-----------------|------------|
| Version B, right | 1117-U4-PC | Version B, left | 1117-U5-PC |
|------------------|------------|-----------------|------------|

**Attention:**  
Version B not suitable for screwing on

# Pin hinge

## PROGRAM 1117



Door pictured transparent  
in hinge area



1 Quarter turns

2 Rod controls

3 Locking systems

4 Hinges

5 Seals

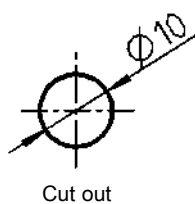
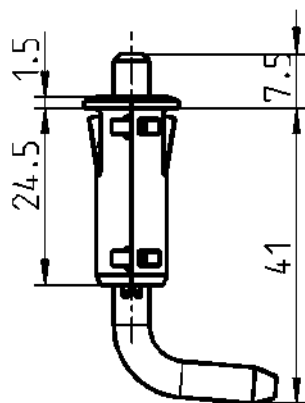
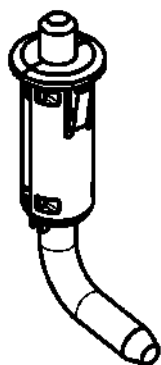
6 Handles

7 Aluminium windows

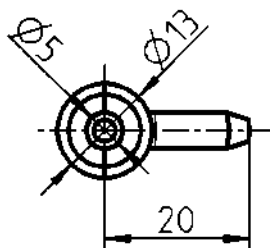
8 Miscellaneous

9 Special catalogues

Index



Cut out



Pin hinge, housing polyamide black, pin zinc die, spring material spring steel zinc-plated

|          |            |
|----------|------------|
| Ts = 1.0 | 1117-U6    |
| Ts = 1.5 | 1117-U6-01 |
| Ts = 2.0 | 1117-U6-02 |

**Attention:**  
For use with small doors only.

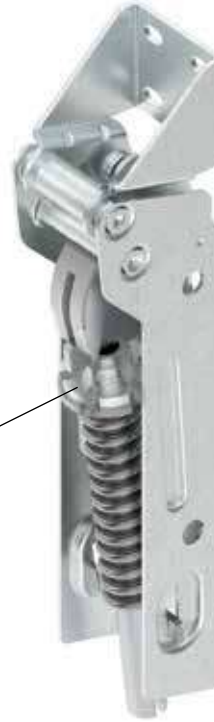
Examples:  
Electric meter boxes  
and tool boxes



# 80° Counterbalancing spring-loaded hinge PROGRAM 1715

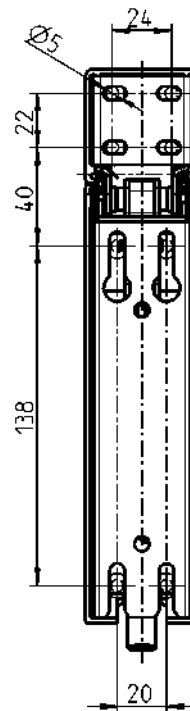
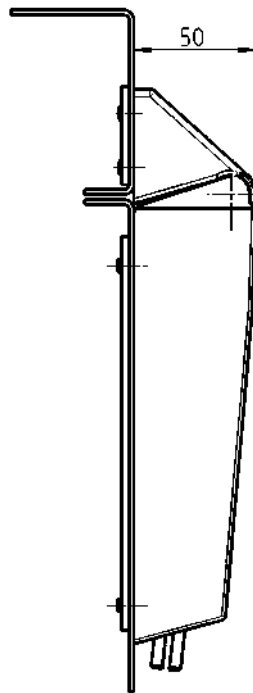
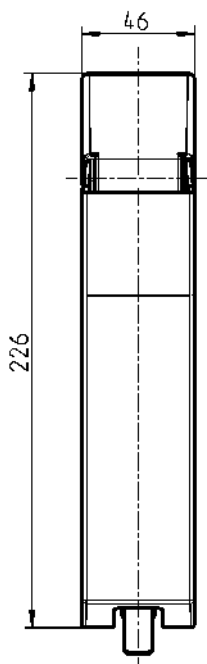
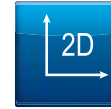


Covering caps depicted transparent



Depicted without covering caps

By means of the adjusting nut the torque can be set.



**Application:**  
The spring-loaded hinge can be used e.g. for freezers.

The covering caps can be put on after assembly of the hinge.

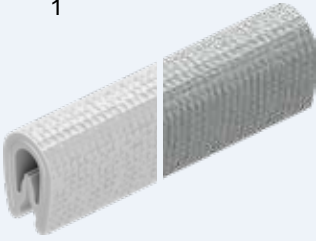
\*Lid weight with homogeneous distribution of weight

Spring-loaded hinge m.s. zinc-plated, joint polyamide, covering caps polystyrene white, with one or two springs

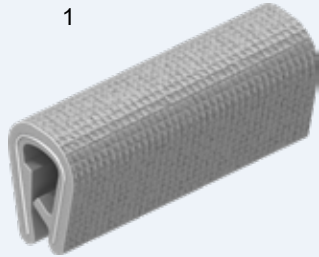
|   |           |
|---|-----------|
| for a *lid weight in the range of 6 kg with 2 hinges  | 1715-U331 |
| for a *lid weight in the range of 17 kg with 2 hinges | 1715-U332 |
| for a *lid weight in the range of 23 kg with 2 hinges | 1715-U333 |

# Seals, Edge protection and Cell sponge rubber

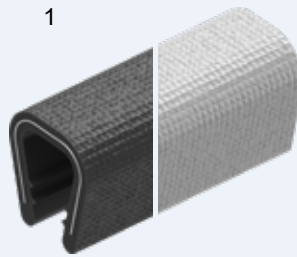
1



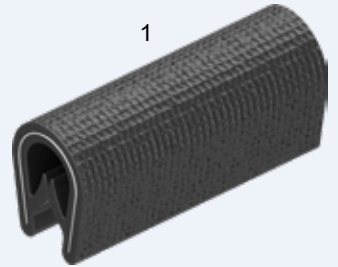
1



1



1



2



2



2



2



3



3



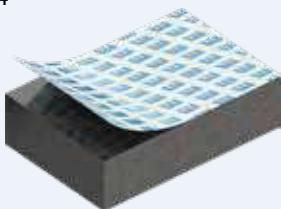
3



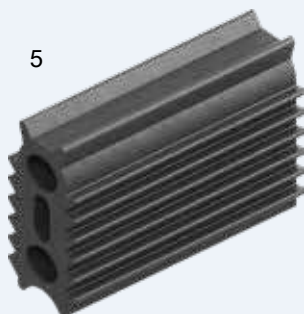
3



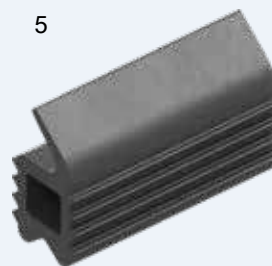
4



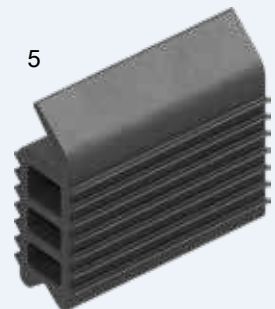
5



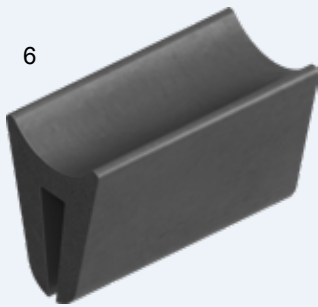
5



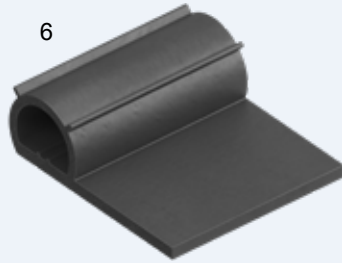
5







6



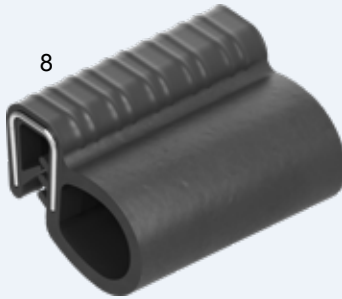
6



6



7



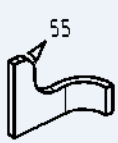
8



9



According to VDI 6022



55

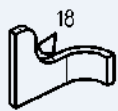


250



Smallest bending radius

Smallest bending radius



18

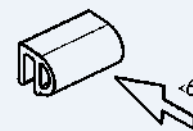


150

Smallest bending radius

Smallest bending radius

- |   |   |                  |
|---|---|------------------|
| 1 | Edge protection                                     | 5A-110 to 5A-120 |
| 2 | Seals, self-clamping                                | 5A-130 to 5A-140 |
| 3 | Seals, self-clamping                                | 5A-150 to 5A-170 |
| 4 | Cell sponge rubber, stretch-free and self-adhesive  | 5A-180           |
| 5 | Seals secured in a U-section                        | 5A-190           |
| 6 | Seals   | 5A-200           |
| 7 | EMC seals   | 5A-210 to 5A-220 |
| 8 | Seals according to VDI 6022                         | 5A-230           |
| 9 | Seals made of fire protection material              | 5A-240           |
|   | Reference to special catalogue 'Sealing Technology' | 5A-250           |



Compression

5A-100

Info

1 Quarter turns

2 Rod controls

3 Locking systems

4 Hinges

5 Seals

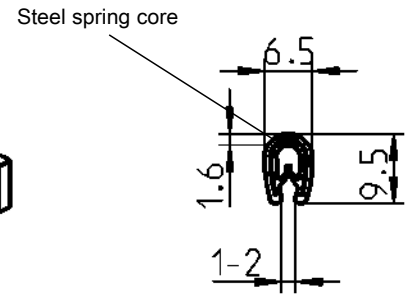
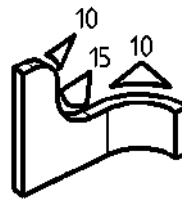
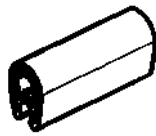
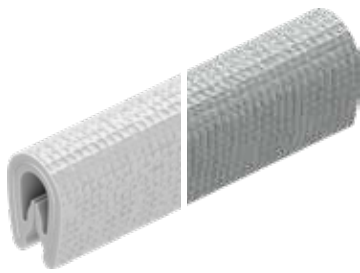
6 Handles

7 Aluminium windows

8 Miscellaneous

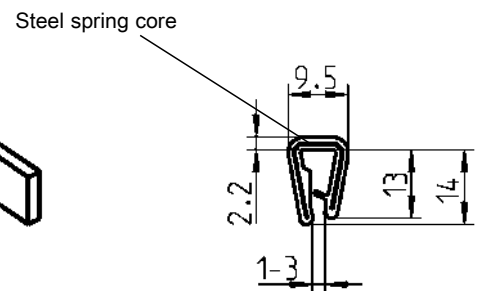
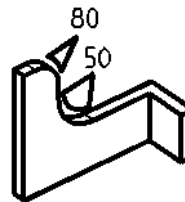
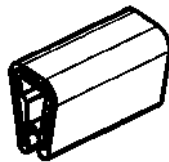
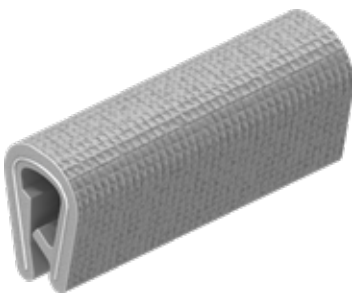
9 Special catalogues

Index



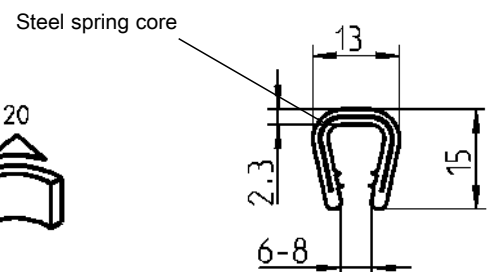
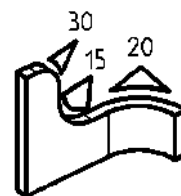
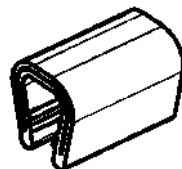
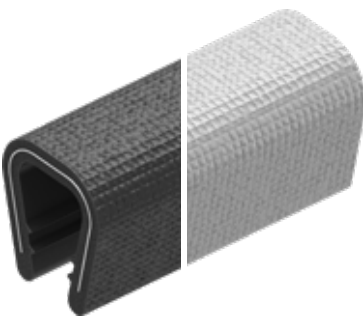
Edge protection PVC 70 ± 5 Shore A, colour of choice

|        |            |
|--------|------------|
| white  | 1010-04-01 |
| silver | 1010-04-02 |



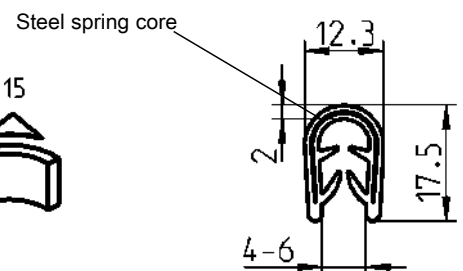
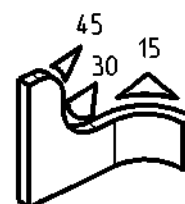
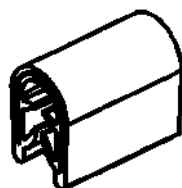
Edge protection PVC 70 ± 5 Shore A, light-grey

|                               |         |
|-------------------------------|---------|
| Steel spring core, continuous | 1010-05 |
|-------------------------------|---------|



Edge protection PVC 70 ± 5 Shore A, colour of choice

|            |            |
|------------|------------|
| black      | 1010-06    |
| light grey | 1010-06-01 |

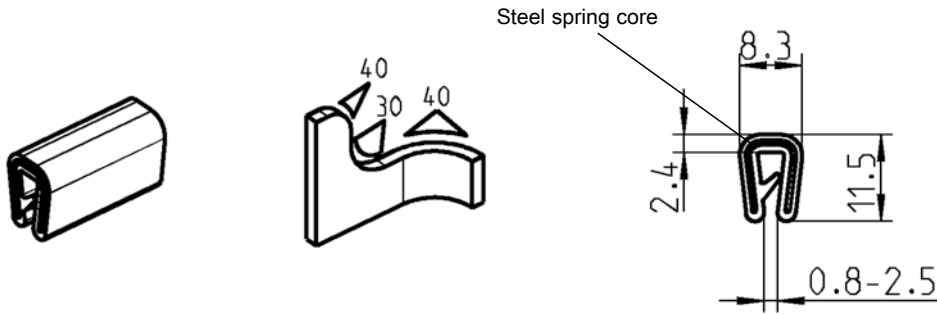


Edge protection PVC 70 ± 5 Shore A, colour of choice

|           |            |
|-----------|------------|
| black     | 1010-11    |
| dark grey | 1010-11-01 |

# Edge protection

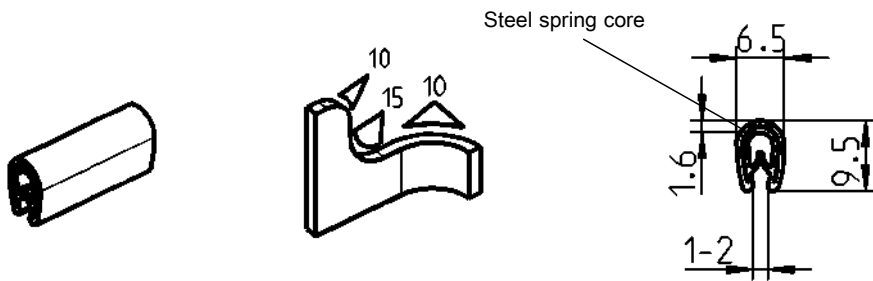
## PROGRAM 1010



Edge protection EPDM 60 ± 5 Shore A, black

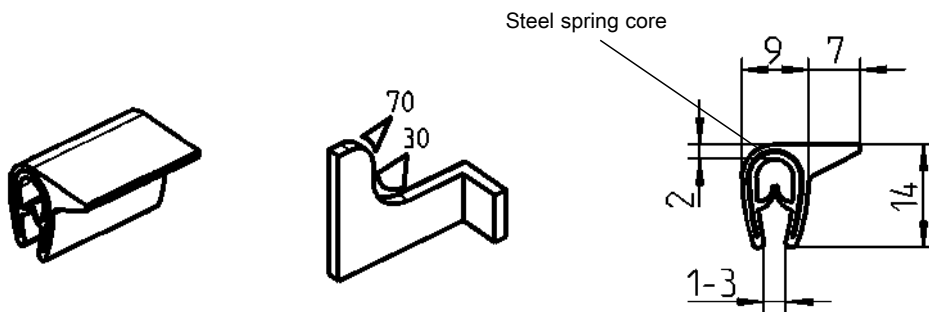
1010-12

Temperature resistance = -40°C to 90°C



Edge protection PVC 70 ± 5 Shore A, black

1010-02

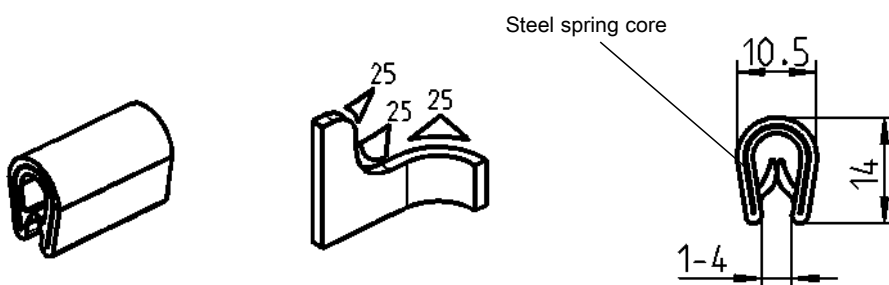


Edge protection PVC 70 ± 5 Shore A, anthracite

Steel spring core, continuous

1010-09

Temperature resistance = -40°C to 90°C



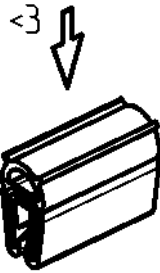
Edge protection PVC 70 ± 5 Shore A, black

1010-01

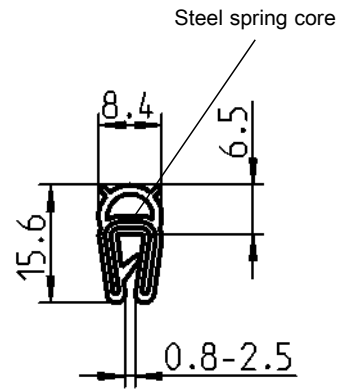
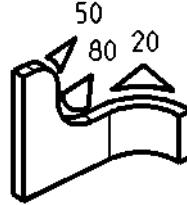
Info  
1 Quarter turns  
2 Rod controls  
3 Locking systems  
4 Hinges  
5 Seals  
6 Handles  
7 Aluminium windows  
8 Miscellaneous  
9 Special catalogues  
Index



**CRUS\***



compressible

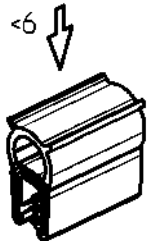


**Sealing profile foam rubber, clamping profile material of choice**

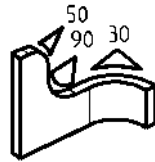
|   |          |
|---|----------|
| Foam rubber EPDM, clamping profile EPDM 65 ± 5 Shore A, black | 1011-10* |
| Foam rubber NBR, clamping profile NBR 60 ± 5 Shore A, black   | 1011-50  |



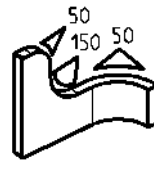
**CRUS\***



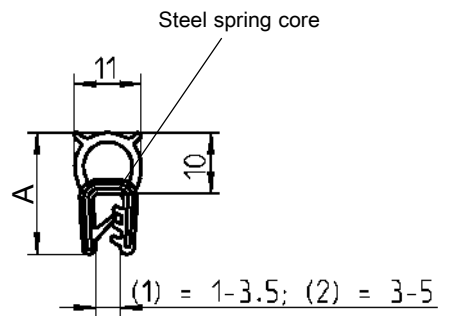
compressible



1011-05, -15



1011-47, -49

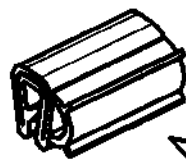


**Sealing profile foam rubber, clamping profile material of choice**

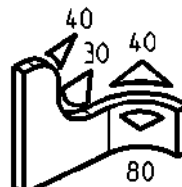
|   | A  |              |
|---|----|--------------|
| Foam rubber EPDM, clamping profile EPDM 65 ± 5 Shore A, black | 20 | 1011-05* (1) |
| Foam rubber NBR, clamping profile NBR 60 ± 5 Shore A, black   | 21 | 1011-15 (1)  |
| Foam rubber EPDM, clamping profile EPDM 65 ± 5 Shore A, black | 21 | 1011-49 (2)  |
| Foam rubber NBR, clamping profile NBR 60 ± 5 Shore A, black   | 21 | 1011-47 (2)  |



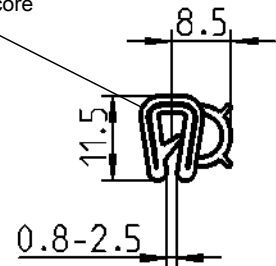
**CRUS\***



compressible



Steel spring core



**CRUS\***

UL 50

UL 94-HB

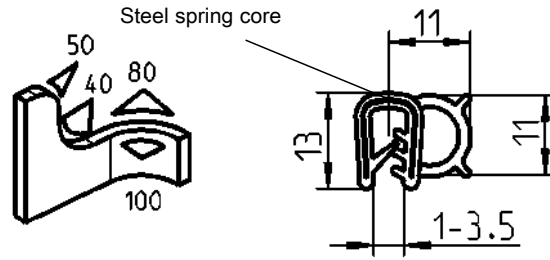
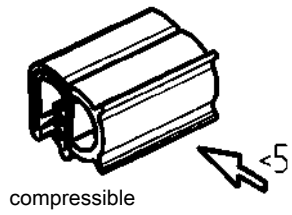
**Sealing profile foam rubber EPDM, clamping profile EPDM 65 ± 5 Shore A, black**

1011-09\*

# Seals, self-clamping

## PROGRAM 1011

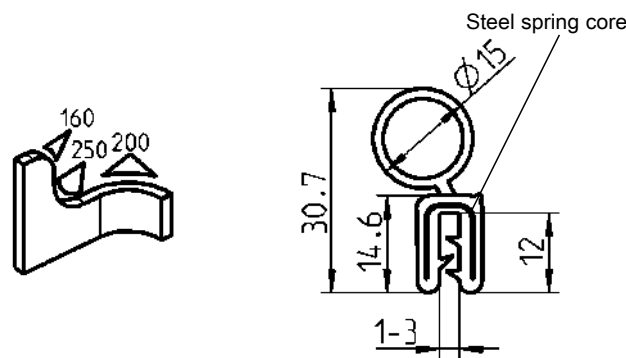
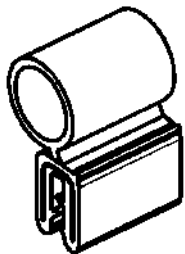
cRU<sup>®</sup> us \*



Sealing profile foam rubber, clamping profile material of choice

|   |          |
|---|----------|
| Foam rubber EPDM, clamping profile EPDM 65 ± 5 Shore A, black | 1011-06* |
| Foam rubber NBR, clamping profile NBR 60 ± 5 Shore A, black   | 1011-16  |

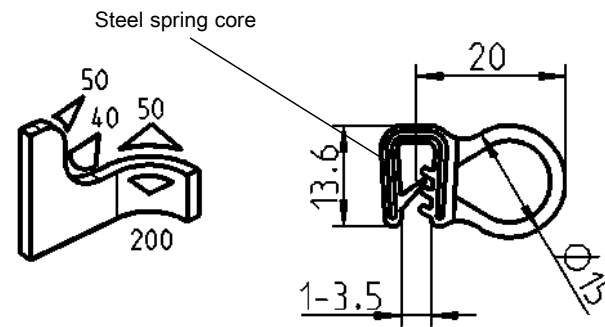
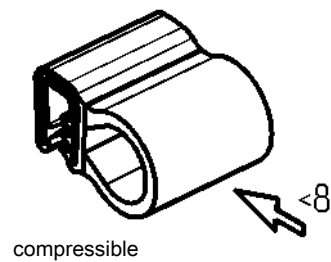
<10 ↓



Sealing profile foam rubber EPDM, clamping profile EPDM 60 ± 5 Shore A, black

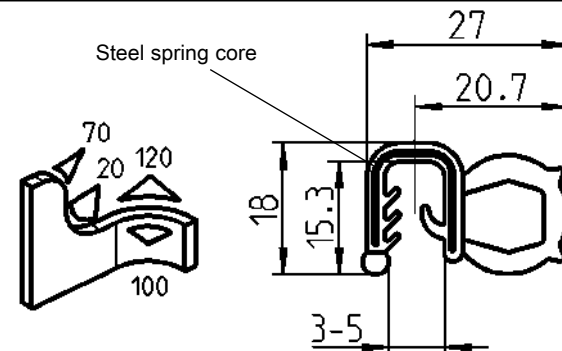
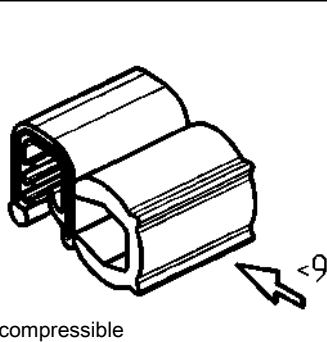
1011-34

cRU<sup>®</sup> us \*



Sealing profile foam rubber EPDM, clamping profile EPDM 65 ± 5 Shore A, black

1011-12\*



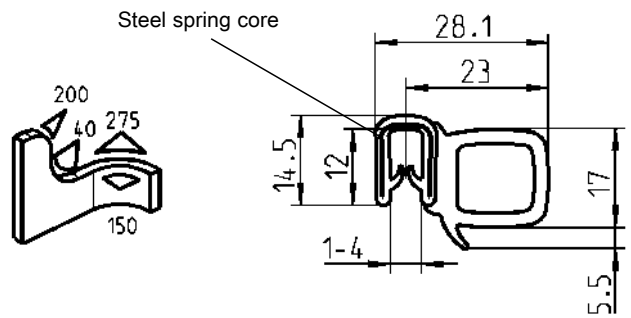
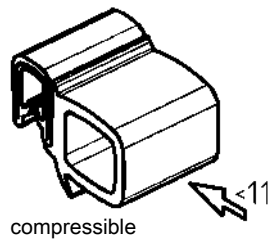
\* cRU<sup>®</sup> us

UL 50  
UL 94-HB

Sealing profile foam rubber EPDM, clamping profile EPDM 65 ± 5 Shore A, black

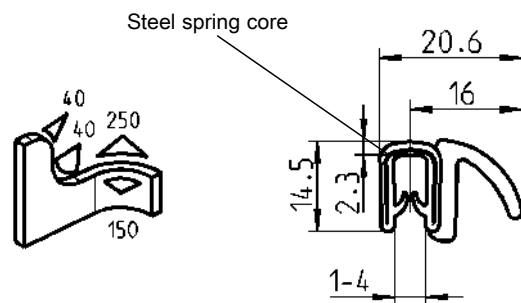
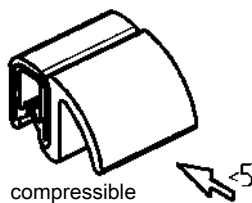
|                                 |         |
|---------------------------------|---------|
| Bore holes approx. every 300 mm | 1011-45 |
|---------------------------------|---------|

Info  
1 Quarter turns  
2 Rod controls  
3 Locking systems  
4 Hinges  
5 Seals  
6 Handles  
7 Aluminium windows  
8 Miscellaneous  
9 Special catalogues  
Index



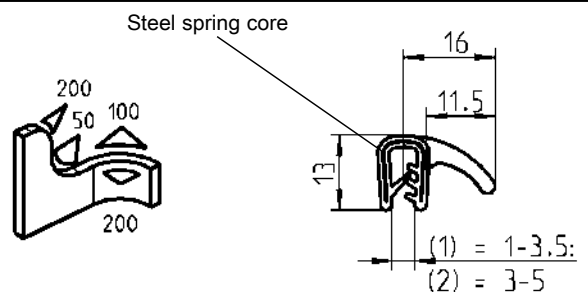
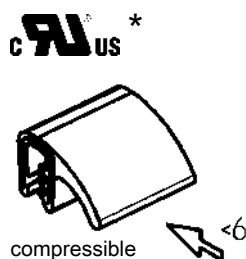
Sealing profile foam rubber EPDM, clamping profile PVC 70 ± 5 Shore A, black

1011-26



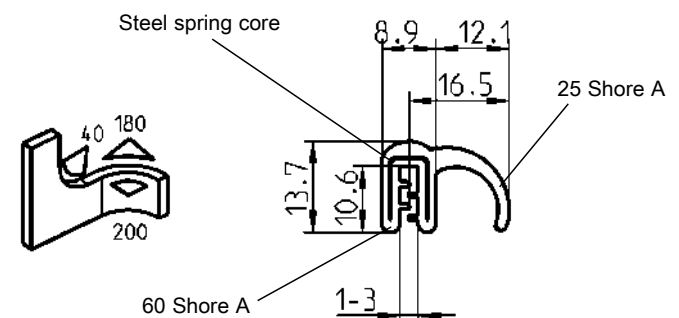
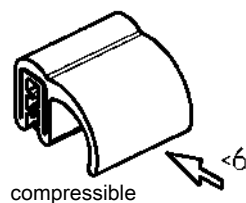
Sealing profile foam rubber EPDM, clamping profile PVC 70 ± 5 Shore A, black

1011-17



Sealing profile foam rubber, clamping profile material of choice

|   |     |          |
|---|-----|----------|
| Foam rubber EPDM, clamping profile EPDM 65 ± 5 Shore A, black | (1) | 1011-08* |
| Foam rubber NBR, clamping profile NBR 60 ± 5 Shore A, black   | (1) | 1011-46  |
| Foam rubber NBR, clamping profile NBR 60 ± 5 Shore A, black   | (2) | 1011-48  |



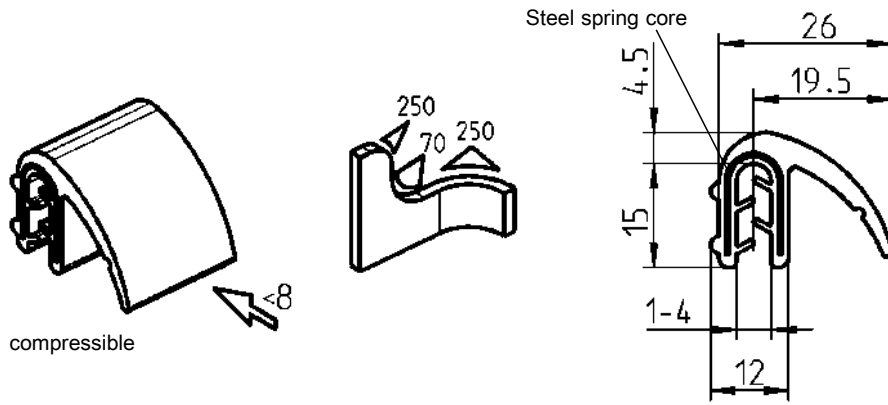
Sealing profile foam rubber EPDM 25 Shore A, clamping profile EPDM 60 ± 5 Shore A, black

1011-41

\* **UL 50**  
**UL 94-HB**

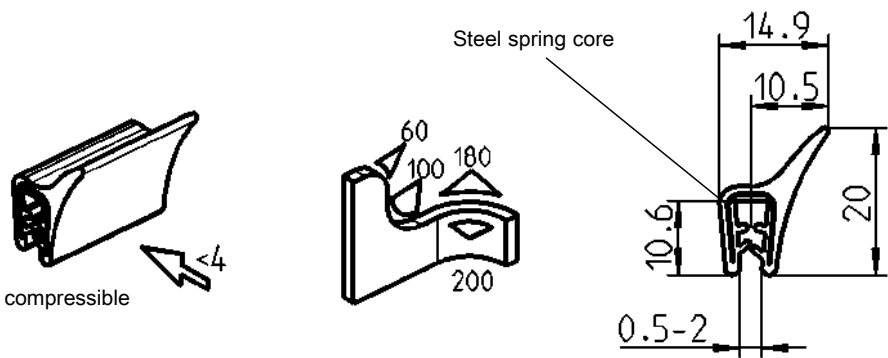
# Seals, self-clamping

## PROGRAM 1011



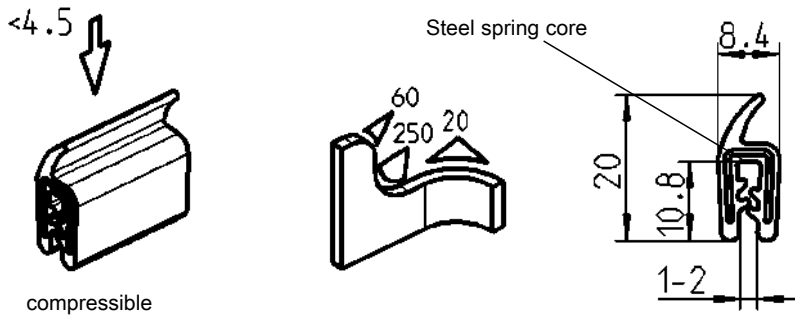
Sealing profile and clamping profile EPDM 60 ± 5 Shore A, black

1011-40



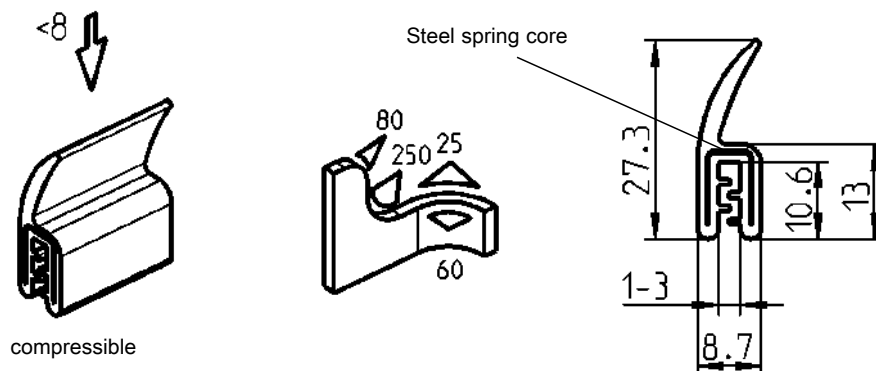
Sealing profile and clamping profile EPDM 60 ± 5 Shore A, black

1011-44



Sealing profile and clamping profile EPDM 60 ± 5 Shore A, black

1011-31

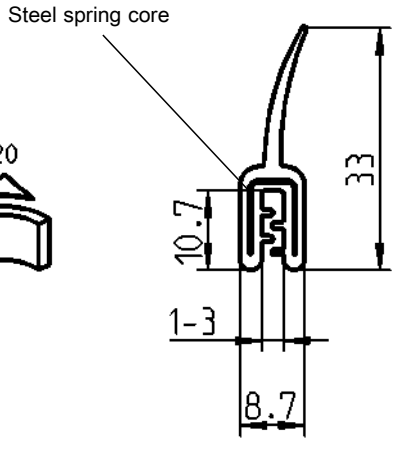
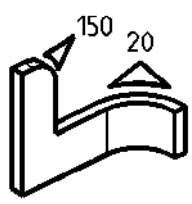


Sealing profile and clamping profile EPDM 60 ± 5 Shore A, black

1011-32

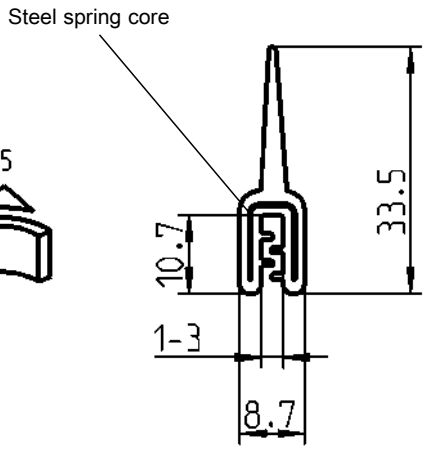
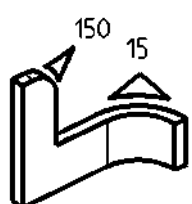
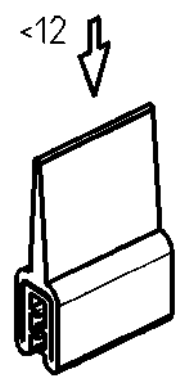


Info  
1 Quarter turns  
2 Rod controls  
3 Locking systems  
4 Hinges  
5 Seals  
6 Handles  
7 Aluminium windows  
8 Miscellaneous  
9 Special catalogues  
Index



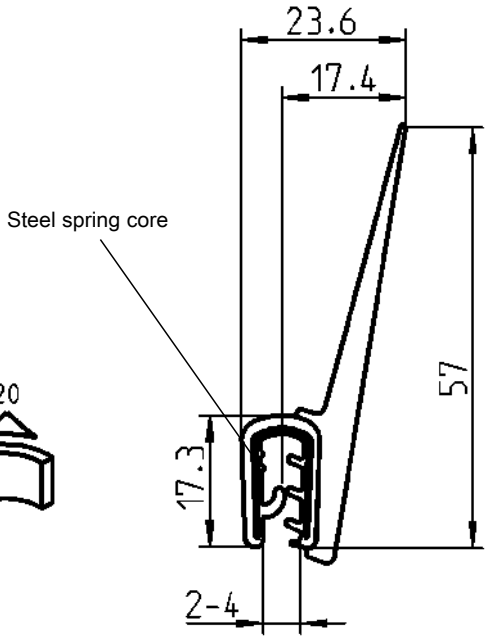
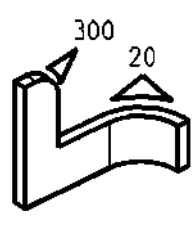
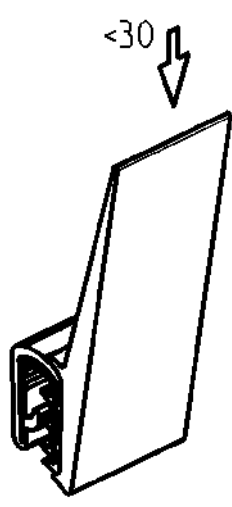
Sealing profile EPDM 60 ± 5 Shore A, black

1011-30



Sealing profile and clamping profile EPDM 60 ± 5 Shore A, black

1011-36



Sealing profile foam rubber EPDM, clamping profile PVC 70 ± 5 Shore A, black

1011-27

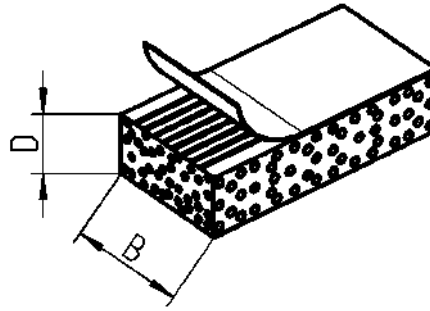


# Cell sponge rubber

## PROGRAM 1016

Delivery lengths:

For depths 3 – 7 = Coil length a 10 m  
 For depths 8 – 10 = Coil length a 5 m  
 For depths 11 = in stripes a 1 m

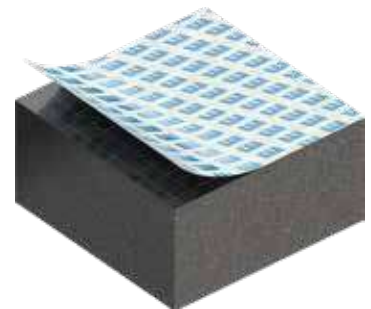
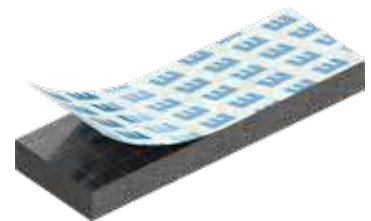


Dimension available from stock.  
 All other dimensions available in 2 to 3 weeks.

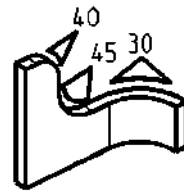
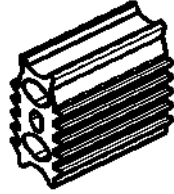
Special lengths available in 6 to 8 weeks. Minimum order quantity on request  
 (Item no.: 1016- ... - L mm) e.g. 1016-118-1400

### Cell sponge rubber material of choice, stretch-free and self-adhesive, black

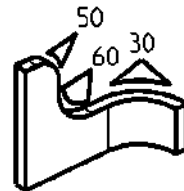
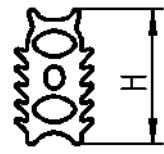
| Dim.  |       |         |          | Dim.  |          |          |          |
|-------|-------|---------|----------|-------|----------|----------|----------|
| Width | Depth | EPDM    | CR       | Width | Depth    | EPDM     | CR       |
| 10    | 3     | 1016-13 | 1016-61  | 30    | 10       | 1016-123 | 1016-159 |
|       | 4     | 1016-14 | 1016-62  |       | 12       | 1016-124 | 1016-160 |
|       | 5     | 1016-15 | 1016-63  |       | 15       | 1016-125 | 1016-161 |
| 10    | 6     | 1016-75 | 1016-99  |       | 20       | 1016-126 | 1016-162 |
|       | 8     | 1016-76 | 1016-100 |       | 25       | 1016-127 | 1016-163 |
|       | 10    | 1016-77 | 1016-101 |       | 5        | 1016-128 | 1016-164 |
| 15    | 3     | 1016-16 | 1016-64  | 40    | 10       | 1016-129 | 1016-165 |
|       | 4     | 1016-17 | 1016-65  |       | 15       | 1016-130 | 1016-166 |
|       | 5     | 1016-18 | 1016-66  |       | 20       | 1016-131 | 1016-167 |
| 15    | 6     | 1016-78 | 1016-102 |       | 25       | 1016-132 | 1016-168 |
|       | 8     | 1016-79 | 1016-103 |       | 30       | 1016-133 | 1016-169 |
|       | 10    | 1016-80 | 1016-104 |       | 5        | 1016-134 | 1016-170 |
|       | 12    | 1016-81 | 1016-105 | 10    | 1016-135 | 1016-171 |          |
|       | 15    | 1016-82 | 1016-106 | 15    | 1016-136 | 1016-172 |          |
| 20    | 3     | 1016-19 | 1016-67  | 50    | 20       | 1016-137 | 1016-173 |
|       | 4     | 1016-20 | 1016-68  |       | 25       | 1016-138 | 1016-174 |
|       | 5     | 1016-21 | 1016-69  |       | 30       | 1016-139 | 1016-175 |
|       | 20    | 6       | 1016-83  |       | 1016-107 | 5        | 1016-140 |
| 8     |       | 1016-84 | 1016-108 |       | 10       | 1016-141 | 1016-177 |
| 10    |       | 1016-85 | 1016-109 |       | 15       | 1016-142 | 1016-178 |
| 12    |       | 1016-86 | 1016-110 | 20    | 1016-143 | 1016-179 |          |
| 15    |       | 1016-87 | 1016-111 | 25    | 1016-144 | 1016-180 |          |
| 20    |       | 1016-88 | 1016-112 | 30    | 1016-145 | 1016-181 |          |
| 25    | 3     | 1016-89 | 1016-113 | 70    | 5        | 1016-146 | 1016-182 |
|       | 4     | 1016-90 | 1016-114 |       | 10       | 1016-147 | 1016-183 |
|       | 6     | 1016-91 | 1016-115 |       | 15       | 1016-148 | 1016-184 |
|       | 8     | 1016-92 | 1016-116 |       | 20       | 1016-149 | 1016-185 |
|       | 10    | 1016-93 | 1016-117 |       | 25       | 1016-150 | 1016-186 |
|       | 12    | 1016-94 | 1016-118 |       | 30       | 1016-151 | 1016-187 |
|       | 15    | 1016-95 | 1016-119 | 80    | 5        | 1016-152 | 1016-188 |
|       | 20    | 1016-96 | 1016-120 |       | 10       | 1016-153 | 1016-189 |
| 30    | 3     | 1016-22 | 1016-70  |       | 15       | 1016-154 | 1016-190 |
|       | 4     | 1016-23 | 1016-71  |       | 20       | 1016-155 | 1016-191 |
|       | 5     | 1016-24 | 1016-72  |       | 25       | 1016-156 | 1016-192 |
|       | 6     | 1016-97 | 1016-121 |       | 30       | 1016-157 | 1016-193 |
|       | 8     | 1016-98 | 1016-122 | 40    | 1016-158 | 1016-194 |          |



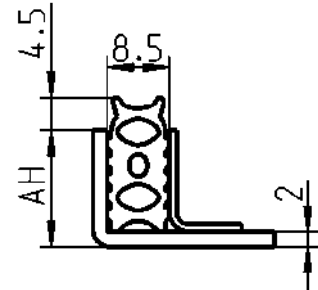
Info  
1 Quarter turns  
2 Rod controls  
3 Locking systems  
4 Hinges  
5 Seals  
6 Handles  
7 Aluminium windows  
8 Miscellaneous  
9 Special catalogues  
Index



1003-11-N - 1003-13-N

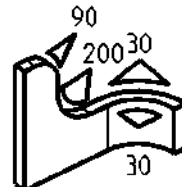
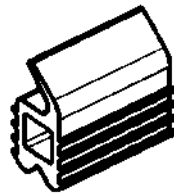


1003-14-N - 1003-24-N

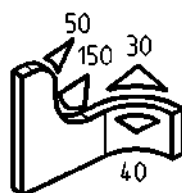
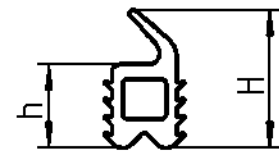


#### 4-Lip profile foam rubber EPDM 25 Shore A, black

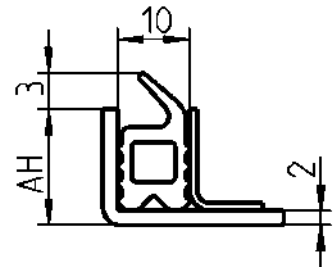
| AH | Height H |            |
|----|----------|------------|
| 16 | 18.5     | 1003-11-N* |
| 18 | 20.5     | 1003-12-N* |
| 20 | 22.5     | 1003-13-N* |
| 22 | 24.5     | 1003-15-N* |
| 24 | 26.5     | 1003-24-N* |
| 26 | 28.5     | 1003-14-N* |



1003-01



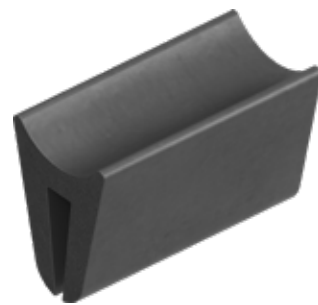
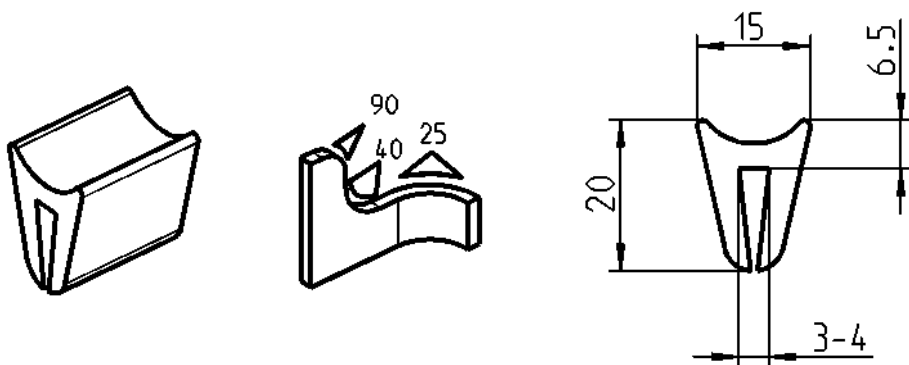
1003-02 - 1003-04



#### Lip profile EPDM 55 Shore A, black

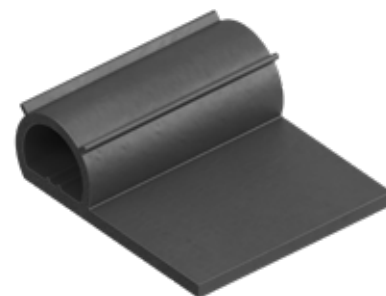
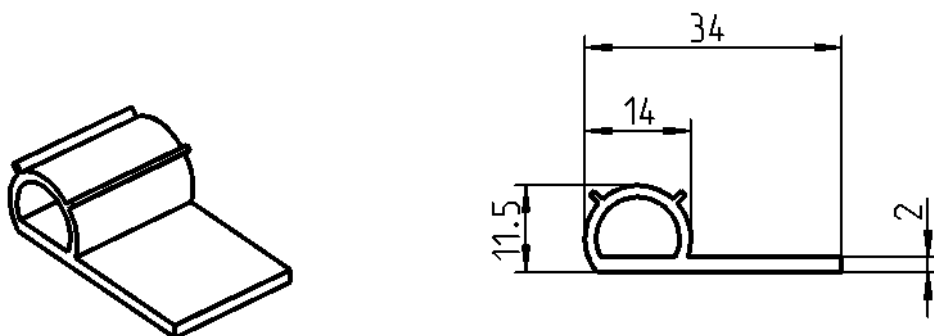
| AH | H  | h    | Number of chambers |         |
|----|----|------|--------------------|---------|
| 16 | 17 | 9.5  | 1                  | 1003-04 |
| 18 | 19 | 11.5 | 1                  | 1003-03 |
| 20 | 21 | 13.5 | 2                  | 1003-02 |
| 26 | 27 | 19.5 | 3                  | 1003-01 |

\* **UL US**  
UL 50  
UL 94-HB



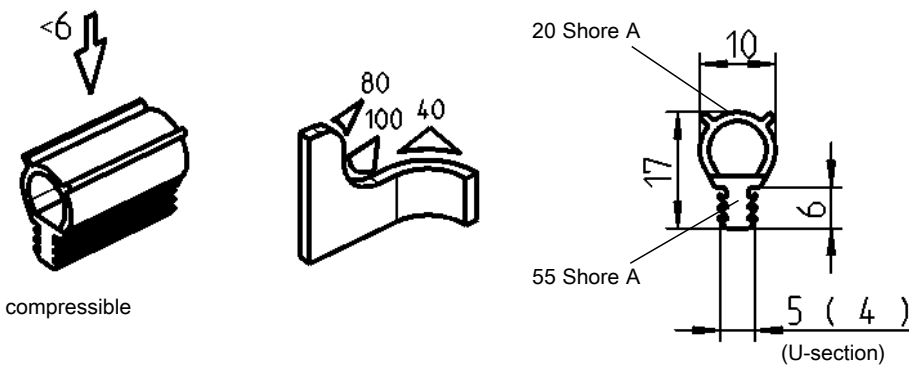
Sealing profile EPDM 55 Shore A, black

1038-07



Sealing profile EPDM 55 Shore A, black

1038-10



Sealing profile foam rubber EPDM, clamping profile EPDM 55 ± 5 Shore A, black

1101-03

Info  
1 Quarter turns  
2 Rod controls  
3 Locking systems  
4 Hinges  
5 Seals



### Attention:

Please provide a contact area for all EMC seals.

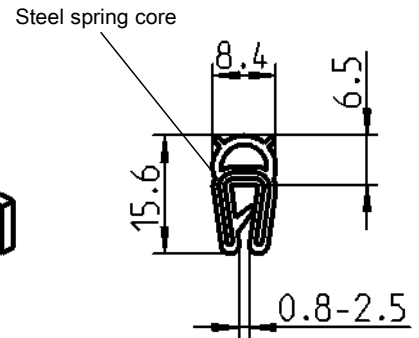
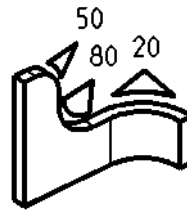
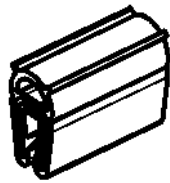
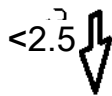
Further profiles on request.



### Further parts see page

- EMC seal 5A-220
- EMC conductive tape 5A-220

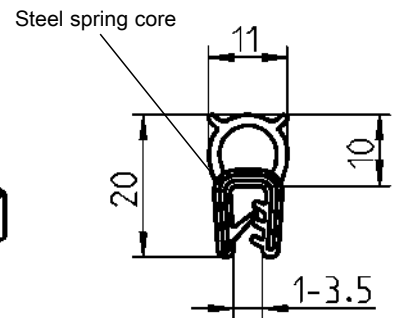
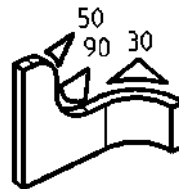
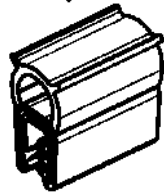
### EMC seals



Sealing profile foam rubber EPDM, clamping profile EPDM 65 ± 5 Shore A, black

1011-10-E

### EMC seals



Sealing profile foam rubber EPDM, clamping profile EPDM 65 ± 5 Shore A, black

1011-05-E

## Shield electromagnetic radiation

Electrical and electromagnetic fields can become a source of interference for technical equipment. Current carrying cables, electrical appliances and electronic controls generate such electromagnetic fields during operation.

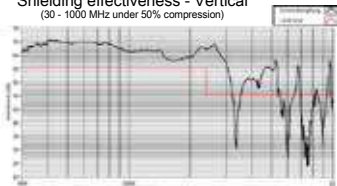
It may therefore be necessary to shield switch and control cabinets with EMC protection measures. In principle, it is always a matter of forming a kind of "Faraday cage" that prevents either the propagation or the irradiation of electromagnetic waves.

The solution offered by EMKA consists of a completely jacketed EPDM seal and an EMC conductive tape. This combination closes the slot antenna created by the door opening and diverts induced eddy currents to ground.

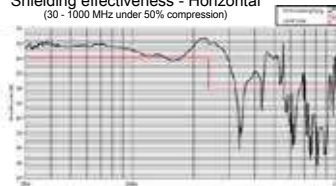
To ensure full-surface electrical contact with the housing, the contactive tape of metallized fleece is bonded to the housing (frame edge and door contact surface) with electrically conductive adhesive before powder coating. After stove enamelling, the mask is removed. This results in a corrosion-resistant, electrically conductive surface.

EMKA has carried out extensive test series according to DIN EN 61587-3 "Shielding tests for cabinets and subracks" to determine the shielding effectiveness with closed metal enclosures (see graphics below).

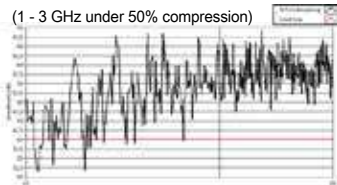
Shielding effectiveness - Vertical  
(30 - 1000 MHz under 50% compression)



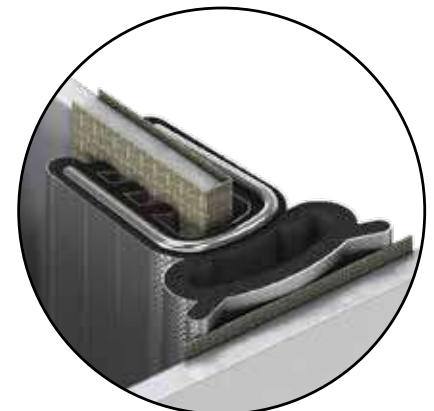
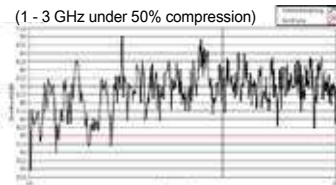
Shielding effectiveness - Horizontal  
(30 - 1000 MHz under 50% compression)



(1 - 3 GHz under 50% compression)

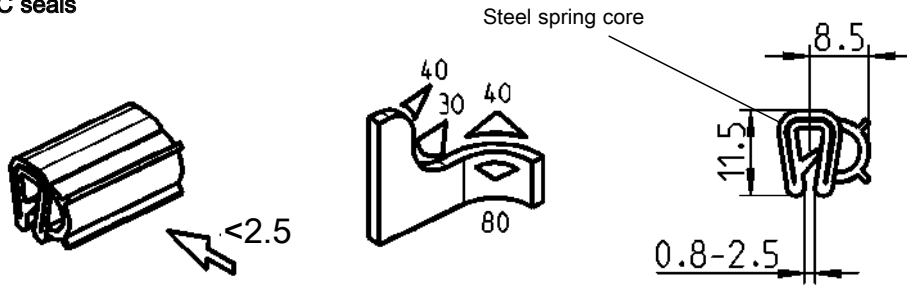


(1 - 3 GHz under 50% compression)



6 Handles  
7 Aluminium windows  
8 Miscellaneous  
9 Special catalogues  
Index

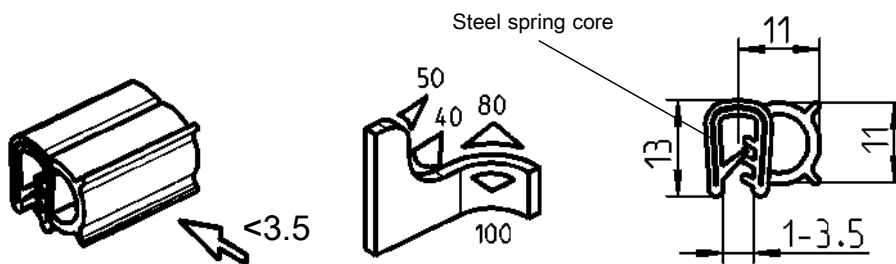
EMC seals



Sealing profile foam rubber EPDM, clamping profile EPDM 65 ± 5 Shore A, black

1011-09-E

EMC seals



Sealing profile foam rubber EPDM, clamping profile EPDM 65 ± 5 Shore A, black

1011-06-E

EMC conductive tape

- For painting and contact
- Highly-conductive adhesive for creating paint-free contact areas
- Length 25 m

Note:

- The surface to be coated must be free of grease and dust.
- Remove the cover from the contact strip and stick the conductive tape onto the contact surfaces on the door and frame with some pressure. For better adhesion the conductive tape is wider than the mask.
- Powder-coating can then be applied, whereby the mask prevents the coating adhering to the conductive tape. The baking temperature for powder-coating should be as low as possible.
- After powder-coating, the mask can be easily removed (preferably while still warm) while the conductive contact tape remains securely in place.
- The continuous operating temperature should not exceed 90° C.

EMC conductive tape

| Width in mm | Suitable for EMC seal            |               |
|-------------|----------------------------------|---------------|
| 12.7        | for contact surface on door side | 1016-220-127E |
| 22          | 1011-09-E; 1011-10-E             | 1016-220-220E |
| 25.4        | 1011-05-E; 1011-06-E             | 1016-220-254E |

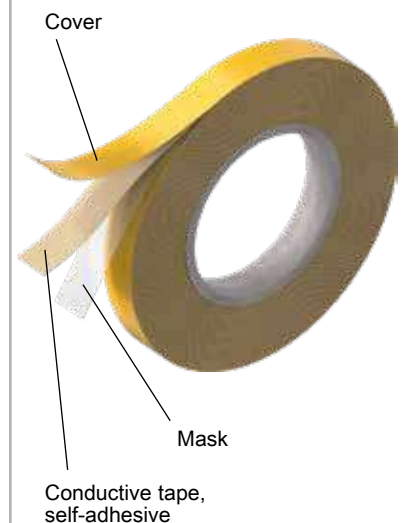
Further dimensions on request



Attention:

Please provide a contact area for all EMC seals.

Further profiles on request.



Further parts see page  
- EMC seal

5A-210

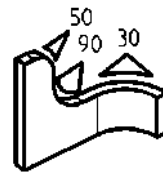
### Seals according to VDI 6022

#### PROGRAM 1011

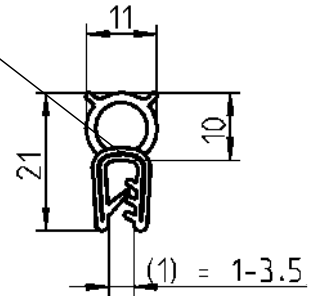
According to VDI 6022



compressible



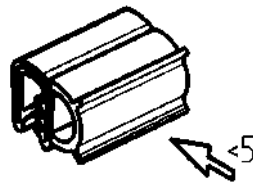
Steel spring core



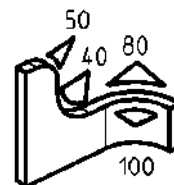
Sealing profile EPDM  $45 \pm 5$  Shore A, clamping profile EPDM  $60 \pm 5$  Shore A, black

1011-05-09

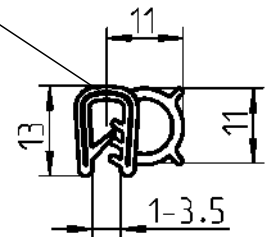
According to VDI 6022



compressible



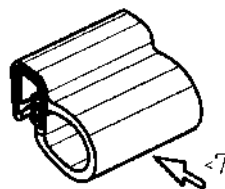
Steel spring core



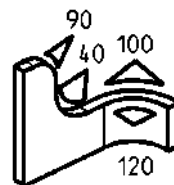
Sealing profile EPDM  $45 \pm 5$  Shore A, clamping profile EPDM  $60 \pm 5$  Shore A, black

1011-06-09

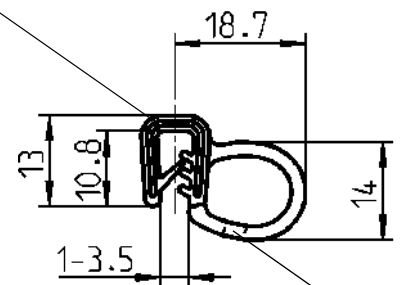
According to VDI 6022



compressible



Steel spring core



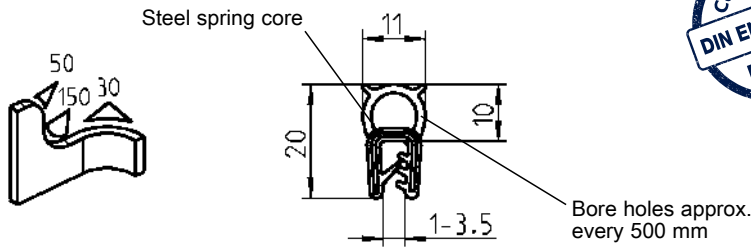
Bore holes approx. every 500 mm

Sealing profile foam rubber EPDM, clamping profile EPDM  $64 \pm 5$  Shore A, black

1011-19-09

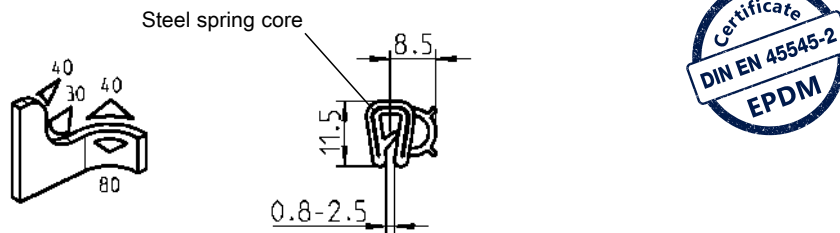
# Seals made of fire protection material (EPDM)

## PROGRAM 1011



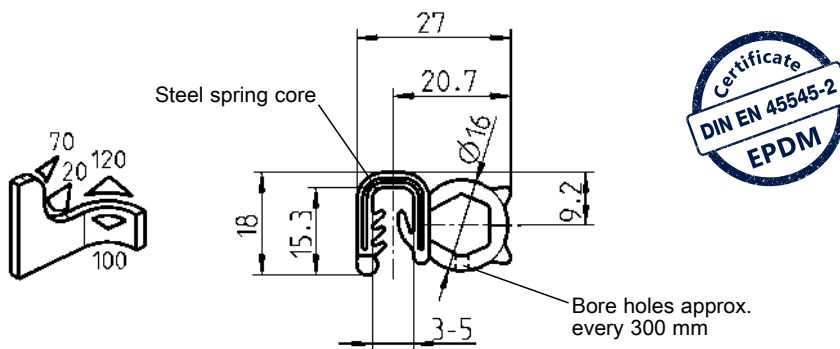
Sealing profile made of fire protection material foam rubber EPDM, clamping profile EPDM 60 ± 5 Shore A, black

1011-05-FR01



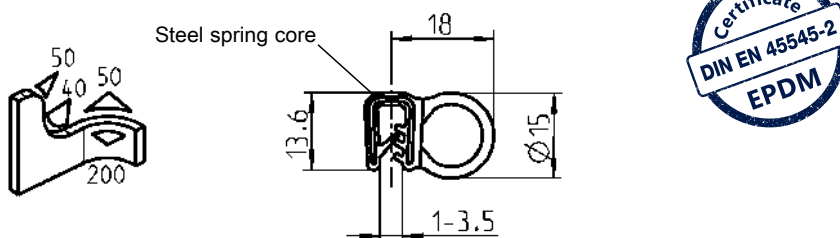
Sealing profile made of fire protection material foam rubber EPDM, clamping profile EPDM 60 ± 5 Shore A, black

1011-09-FR01



Sealing profile made of fire protection material foam rubber EPDM, clamping profile EPDM 60 ± 5 Shore A, black

1011-45-FR01



Sealing profile made of fire protection material foam rubber EPDM, clamping profile EPDM 60 ± 5 Shore A, black

1011-51-FR01



### Product benefits

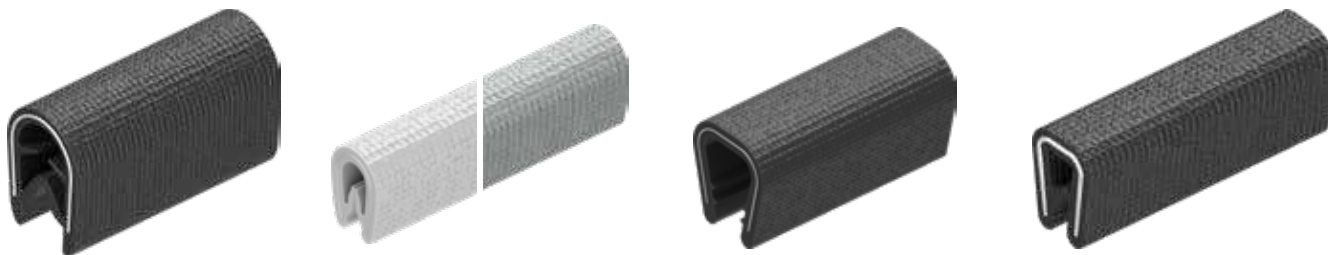
- Flame retardant for more safety
- Significant cost savings compared to silicone seals
- Readily customized frames and rings according to customer specifications possible
- Profile geometry also individually according to customer requirements
- Reliable top quality from in-house production in Europe



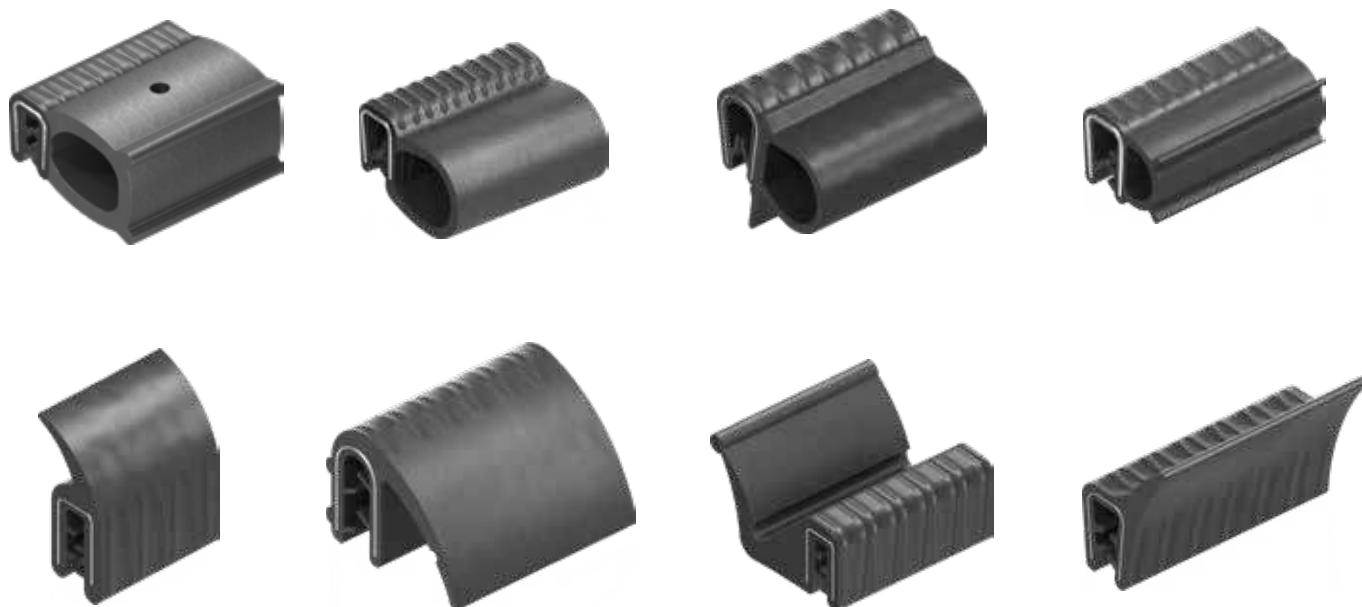
# Seals

## Extract from the special catalogue

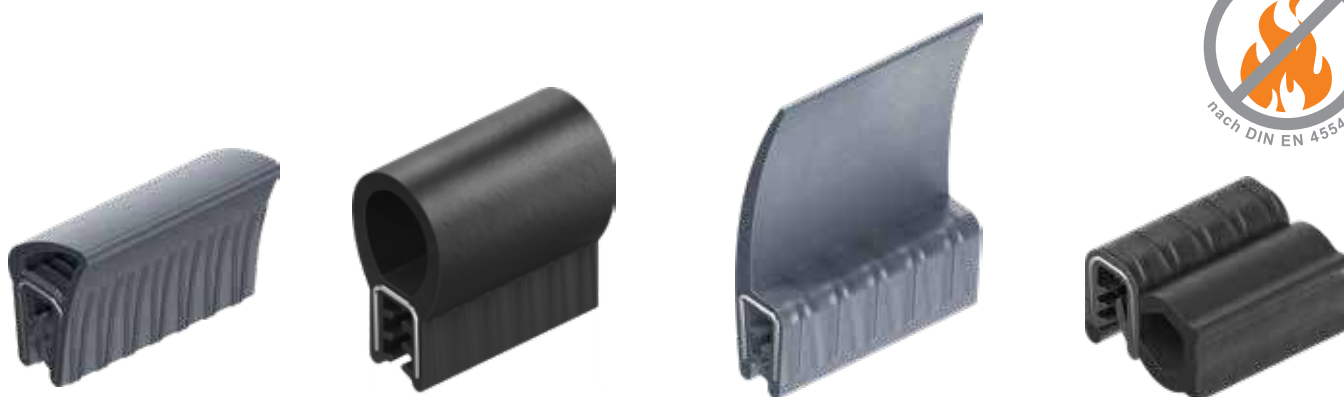
### Edge protection profiles



### Self-clamping sealing profiles

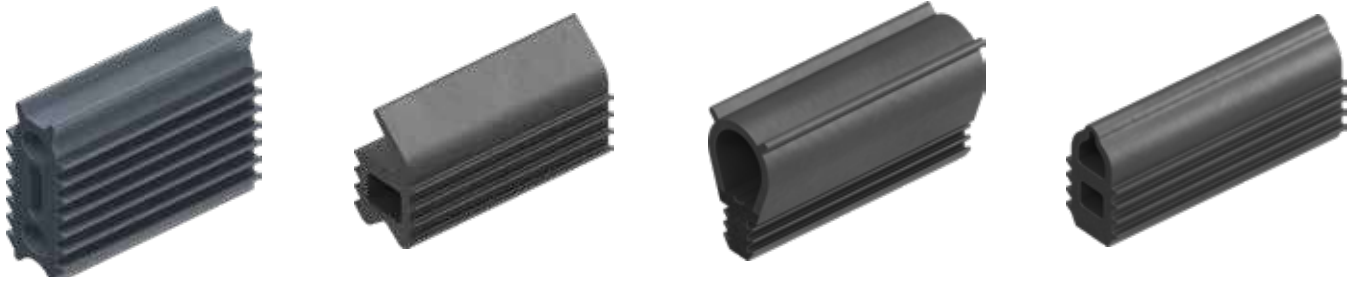


### Self-clamping sealing profiles made of fire protection material

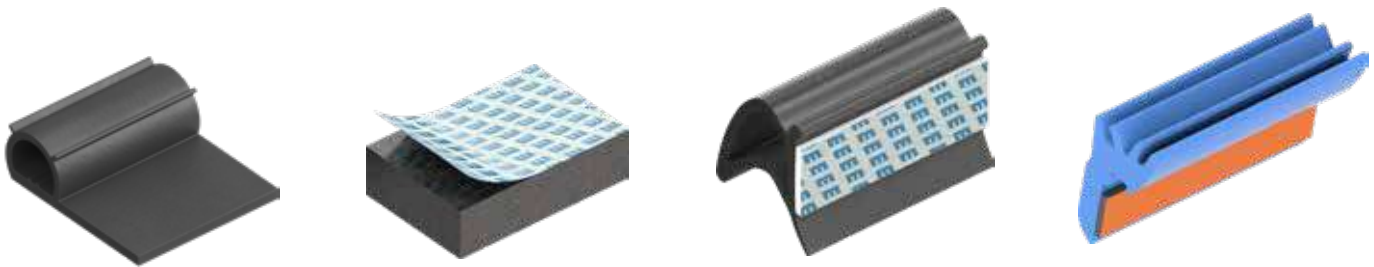




## U-section profiles



## Profiles with adhesive tape



## Clamping and holding profiles



All standard profiles as well as further information on the subject of seals can be found in our 108-page special catalogue:

**Sealing Technology made to measure - Profiles and Frames from In-House Production**



**Download**



# Handles Program 1095



Info

1 Quarter turns

2 Rod controls

3 Locking systems

4 Hinges

5 Seals

6 Handles

7 Aluminium windows

8 Miscellaneous

9 Special catalogues

Index



1



1



2



3



5



5



6

8



- |   |  |                  |
|---|--|------------------|
| 1 | Bow-type handles in different sizes                | 6A-120 to 6A-210 |
| 2 | Stainless steel bow-type handle for hygienic areas | 6A-200           |
| 3 | Handle   | 6A-440           |
| 4 | Machine handle                                     | 6A-210           |
| 5 | Tube handle in various lengths                     | 6A-320 to 6A-360 |
| 6 | Handle in various lengths or fixed lengths         | 6A-220, 6A-240   |
| 7 | Chest handle in various lengths                    | 6A-420           |
| 8 | Edge handle in various lengths                     | 6A-420           |

**6A-100**

## Bow-type handle PROGRAM 1095

Info

1 Quarter turns

2 Rod controls

3 Locking systems

4 Hinges

5 Seals

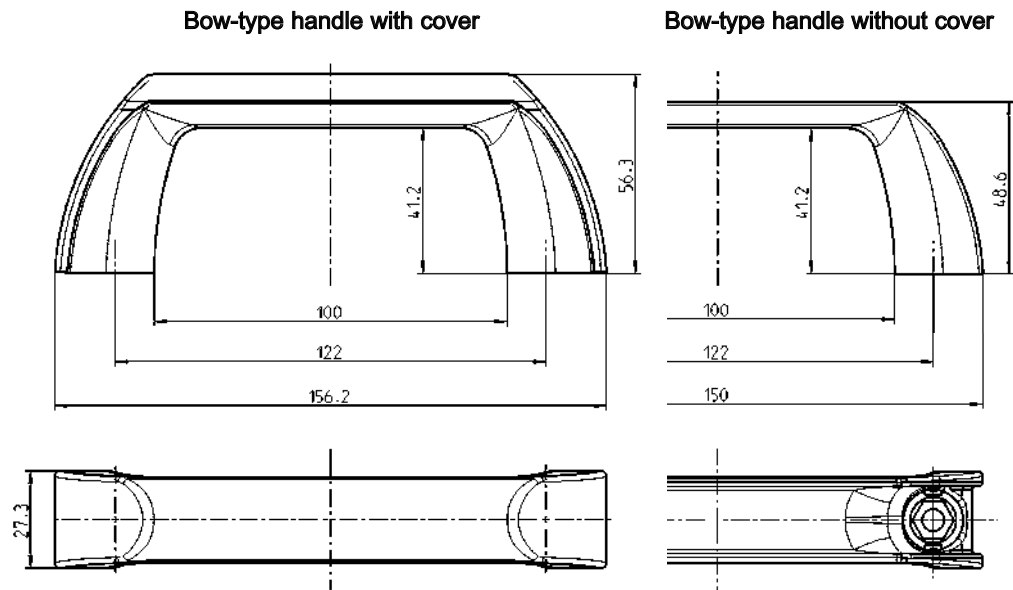
6 Handles

7 Aluminium windows

8 Miscellaneous

9 Special catalogues

Index



**Note:**  
Antimicrobial additive:  
Biomaster silver biocide.  
Please handle biocides  
responsibly.

### Bow-type handle polyamide GF black

|   |         |
|---|---------|
| Handle for hexagon head screw or cylinder head screw M6 acc. to DIN 4017/1207 | 1095-35 |
|---|---------|

|  |         |
|--|---------|
| Handle for countersunk screw small head M5 or blind rivet Ø 4.8 mm | 1095-36 |
|--|---------|

### Cover for bow-type handle polyamide GF black

|  |         |
|--|---------|
|  | 1095-37 |
|--|---------|

### Bow-type handle made of antimicrobial polyamide GF black

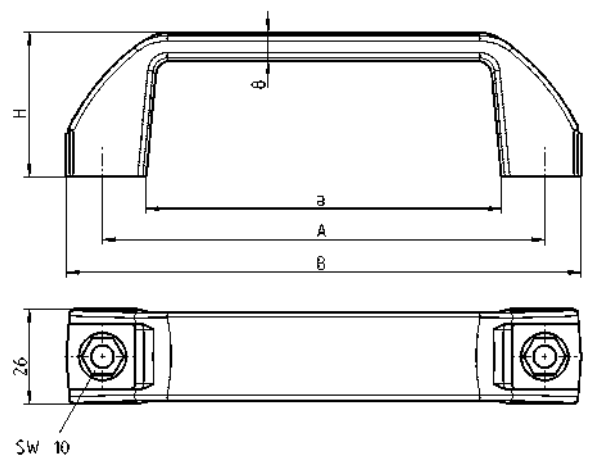
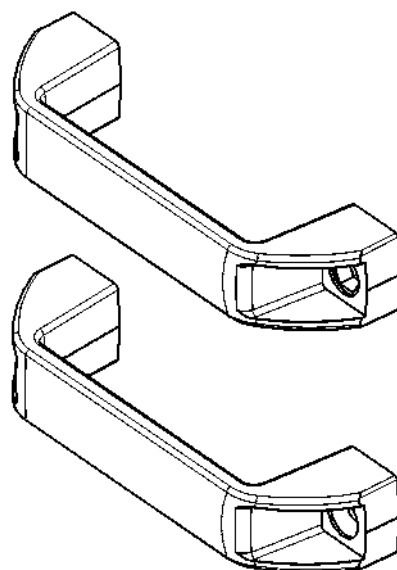
|  |            |
|--|------------|
|  | 1095-36-WI |
|--|------------|

### Cover for bow-type handle made of antimicrobial polyamide GF black

|  |            |
|--|------------|
|  | 1095-37-WI |
|--|------------|



### Bow-type handle



| Version | a     | A   | B   | H    |
|---------|-------|-----|-----|------|
| 1       | 98    | 122 | 142 | 40   |
| 2       | 118.5 | 152 | 167 | 53.5 |

Small head = DIN ISO 2009, 2010, 7046-1, 7046-2, 7047

Fixing material is not included in scope of delivery.

### Bow-type handle polyamide GF black

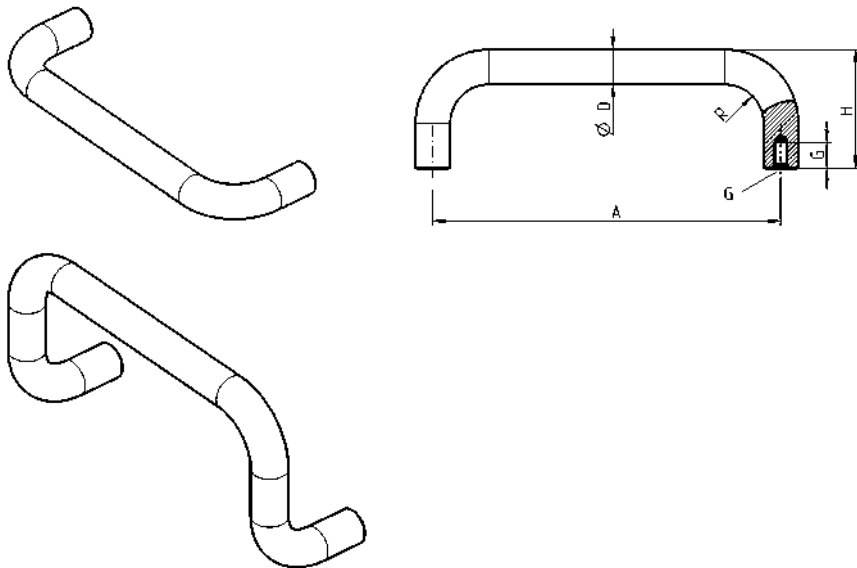
|   | Version 1 | Version 2 |
|---|-----------|-----------|
| Handle for hexagon head screw or cylinder head screw M6 acc. to DIN 4017/1207 | 1095-05   | 1095-19   |

|  |         |   |
|--|---------|---|
| Handle for countersunk screw small head M5 or blind rivet Ø 4.8 mm | 1095-06 | - |
|--|---------|---|

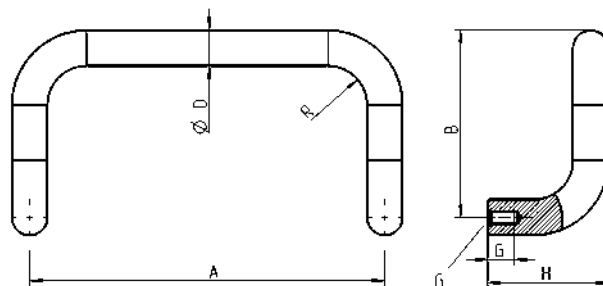
# Bow-type handle

## PROGRAM 1095

### Version 1



### Version 2



### Version 1



### Version 2



Bow-type handle aluminium raw or black plastic coated,  
threaded bush aluminium with  $\varnothing D = 28$

#### Version 1

| A   | B | D  | G      | H  | R  | blank          | black          |
|-----|---|----|--------|----|----|----------------|----------------|
| 200 | - | 20 | M8x15  | 68 | 22 | 1095-24-200KB  | 1095-24-200AA  |
| 250 | - | 20 | M8x15  | 68 | 22 | 1095-24-250KB  | 1095-24-250AA  |
| 250 | - | 28 | M10x15 | 78 | 32 | 1095-U24-250KB | 1095-U24-250AA |
| 300 | - | 20 | M8x15  | 68 | 22 | 1095-24-300KB  | 1095-24-300AA  |
| 300 | - | 28 | M10x15 | 78 | 32 | 1095-U24-300KB | 1095-U24-300AA |
| 350 | - | 20 | M8x15  | 68 | 22 | 1095-24-350KB  | 1095-24-350AA  |
| 350 | - | 28 | M10x15 | 78 | 32 | 1095-U24-350KB | 1095-U24-350AA |
| 400 | - | 28 | M10x15 | 78 | 32 | 1095-U24-400KB | 1095-U24-400AA |

#### Version 2

| A   | B   | D  | G      | H  | R  | blank          | black          |
|-----|-----|----|--------|----|----|----------------|----------------|
| 200 | 105 | 20 | M8x15  | 68 | 22 | 1095-25-200KB  | 1095-25-200AA  |
| 250 | 120 | 28 | M10x15 | 78 | 32 | 1095-U25-250KB | 1095-U25-250AA |
| 300 | 105 | 20 | M8x15  | 68 | 22 | 1095-25-300KB  | 1095-25-300AA  |
| 350 | 120 | 28 | M10x15 | 78 | 32 | 1095-U25-350KB | 1095-U25-350AA |
| 500 | 120 | 28 | M10x15 | 78 | 32 | 1095-U25-500KB | 1095-U25-500AA |

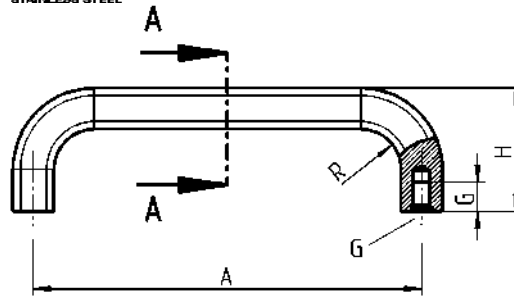
Bow-typed handles with  $\varnothing D = 28$  are made of an aluminium tube with thickness of 4 mm.

Fixing material is not included in scope of delivery.

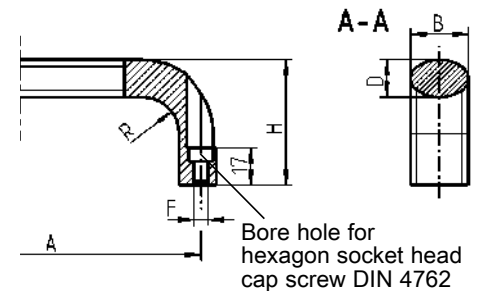
**AISI INOX**



Version 1



Version 2



Version 1



Version 2

**Bow-type handle aluminium optionally blank, anodised or black plastic-coated or stainless steel AISI**

**Version 1**

| A   | B  | D  | G     | H  | R  | Aluminium blank | Aluminium anodized | Aluminium black |
|-----|----|----|-------|----|----|-----------------|--------------------|-----------------|
| 100 | 20 | 13 | M6x10 | 47 | 13 | 1095-26-100KB   | 1095-26-100NA      | 1095-26-100AA   |
| 112 | 20 | 13 | M6x10 | 49 | 13 | 1095-26-112KB   | 1095-26-112NA      | 1095-26-112AA   |
| 112 | 26 | 17 | M8x12 | 53 | 17 | 1095-27-112KB   | 1095-27-112NA      | 1095-27-112AA   |
| 128 | 20 | 13 | M6x10 | 51 | 13 | 1095-26-128KB   | 1095-26-128NA      | 1095-26-128AA   |
| 128 | 26 | 17 | M8x12 | 55 | 17 | 1095-27-128KB   | 1095-27-128NA      | 1095-27-128AA   |
| 160 | 20 | 13 | M6x10 | 51 | 13 | 1095-26-160KB   | 1095-26-160NA      | 1095-26-160AA   |
| 160 | 26 | 17 | M8x12 | 57 | 17 | 1095-27-160KB   | 1095-27-160NA      | 1095-27-160AA   |
| 192 | 26 | 17 | M8x12 | 57 | 17 | 1095-26-192KB   | 1095-26-192NA      | 1095-26-192AA   |
| 200 | 20 | 13 | M6x10 | 51 | 13 | 1095-26-200KB   |                    | 1095-26-200AA   |
| 300 | 26 | 17 | M8x12 | 57 | 17 | 1095-26-300KB   | 1095-26-300NA      | 1095-26-300AA   |
| 400 | 26 | 17 | M8x12 | 57 | 17 | 1095-26-400KB   | 1095-26-400NA      | 1095-26-400AA   |
| 500 | 26 | 17 | M8x12 | 57 | 17 | 1095-26-500KB   | 1095-26-500NA      | 1095-26-500AA   |
| A   | B  | D  | G     | H  | R  |                 |                    | AISI 304        |
| 112 | 20 | 13 | M6x10 | 49 | 13 |                 |                    | 1095-26-112PC   |
| 128 | 20 | 13 | M6x10 | 51 | 13 |                 |                    | 1095-26-128PC   |
| 160 | 20 | 13 | M6x10 | 51 | 13 |                 |                    | 1095-26-160PC   |

**Version 2**

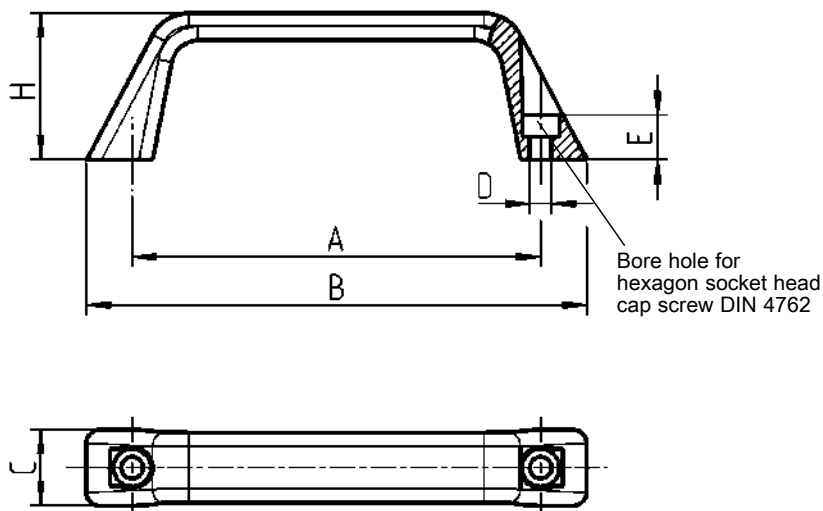
| A   | B  | D  | F     | H  | R  | Aluminium blank | Aluminium anodized | Aluminium black |
|-----|----|----|-------|----|----|-----------------|--------------------|-----------------|
| 100 | 20 | 13 | Ø 5.4 | 49 | 13 | 1095-42-100KB   |                    | 1095-42-100AA   |
| 112 | 20 | 13 | Ø 5.4 | 49 | 13 | 1095-42-112KB   |                    | 1095-42-112AA   |
| 116 | 26 | 17 | Ø 6.4 | 55 | 17 | 1095-28-116KB   | 1095-28-116NA      | 1095-28-116AA   |
| 120 | 20 | 13 | Ø 5.4 | 51 | 13 | 1095-42-120KB   |                    | 1095-42-120AA   |
| 128 | 20 | 13 | Ø 5.4 | 51 | 13 | 1095-42-128KB   |                    | 1095-42-128AA   |
| 132 | 26 | 17 | Ø 6.4 | 55 | 17 | 1095-28-132KB   | 1095-28-132NA      | 1095-28-132AA   |
| 160 | 20 | 13 | Ø 5.4 | 51 | 13 | 1095-42-160KB   |                    | 1095-42-160AA   |
| 164 | 26 | 17 | Ø 6.4 | 57 | 17 | 1095-28-164KB   | 1095-28-164NA      | 1095-28-164AA   |
| 196 | 26 | 17 | Ø 6.4 | 57 | 17 | 1095-28-196KB   | 1095-28-196NA      | 1095-28-196AA   |
| A   | B  | D  | F     | H  | R  |                 | AISI CF-8          | AISI 316        |
| 112 | 20 | 13 | Ø 5.4 | 49 | 13 |                 | 1095-42-112PS      |                 |
| 116 | 26 | 17 | Ø 6.4 | 55 | 17 |                 |                    | 1095-28-116PH   |
| 128 | 20 | 13 | Ø 5.4 | 51 | 13 |                 | 1095-42-128PS      |                 |
| 160 | 20 | 13 | Ø 5.4 | 51 | 13 |                 | 1095-42-160PS      |                 |

Fixing material is not included in scope of delivery.

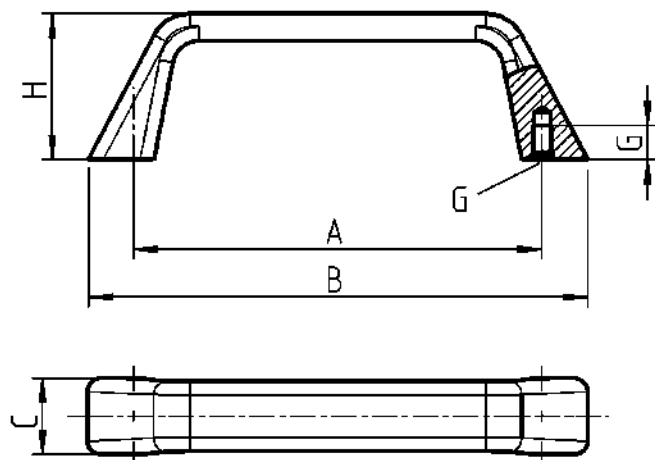
# Bow-type handle

## PROGRAM 1095

Version 1



Version 2



### Bow-type handle aluminium blank or black plastic-coated

#### Version 1

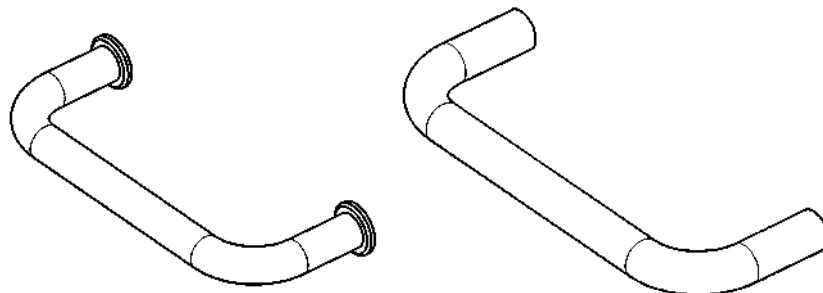
| A   | B   | C    | D   | E  | H  | blank         | black         |
|-----|-----|------|-----|----|----|---------------|---------------|
| 120 | 147 | 22.5 | 6.4 | 13 | 43 | 1095-29-120KB | 1095-29-120AA |
| 180 | 215 | 27   | 8.4 | 16 | 48 | 1095-29-180KB | 1095-29-180AA |

#### Version 2

| A   | B   | C    | G     | H  |  | blank         | black         |
|-----|-----|------|-------|----|--|---------------|---------------|
| 120 | 147 | 22.5 | M6x10 | 43 |  | 1095-30-120KB | 1095-30-120AA |
| 180 | 215 | 27   | M8x12 | 48 |  | 1095-30-180KB | 1095-30-180AA |

Fixing material is not included in scope of delivery.

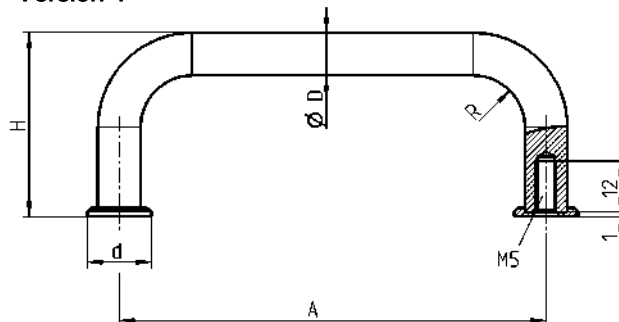
**AISI  
INOX**



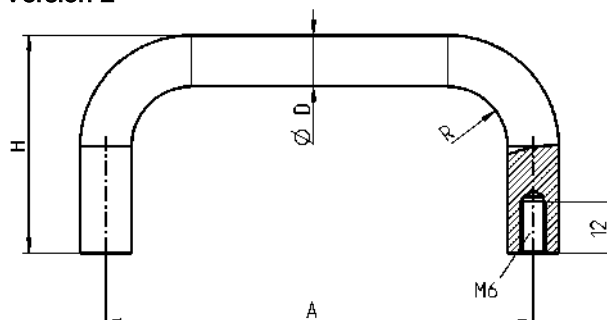
Version 1



Version 1



Version 2



Version 2



Bow-type handle optionally aluminium black plastic-coated, m.s. black plastic-coated or stainless steel AISI

**Version 1 with threaded hole M5**

| A   | D  | d  | H  | R  |  | Aluminium black | m.s. black     |
|-----|----|----|----|----|--|-----------------|----------------|
| 100 | 10 | 15 | 43 | 12 |  | 1095-U35-100AA  | 1095-U35-100RA |
| 200 | 10 | 15 | 43 | 12 |  | 1095-U35-200AA  | 1095-U35-200RA |
| A   | D  | d  | H  | R  |  | AISI 303        | AISI 316L      |
| 100 | 10 | 15 | 43 | 12 |  | 1095-U35-100PF  | 1095-U35-100PK |
| 200 | 10 | 28 | 43 | 12 |  | 1095-U35-200PF  | 1095-U35-200PK |

**Version 2 with threaded hole M6**

| A   | D  | d | H  | R  |  | Aluminium black | m.s. black    |
|-----|----|---|----|----|--|-----------------|---------------|
| 125 | 12 | - | 51 | 14 |  | 1095-38-125AA   | 1095-38-125RA |
| 250 | 12 | - | 51 | 14 |  | 1095-38-250AA   | 1095-38-250RA |
| A   | D  | d | H  | R  |  | AISI 304        | AISI 316L     |
| 125 | 12 | - | 51 | 14 |  | 1095-38-125PC   |               |
| 250 | 12 | - | 51 | 14 |  | 1095-38-250PC   |               |

**Version 2 without threaded hole M6**

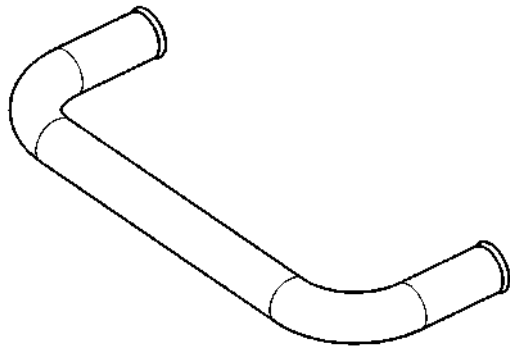
| A   | D  | d | H  | R  |  | AISI 304      |  |
|-----|----|---|----|----|--|---------------|--|
| 125 | 12 | - | 51 | 14 |  | 1095-39-125PC |  |

Fixing material is not included in scope of delivery.

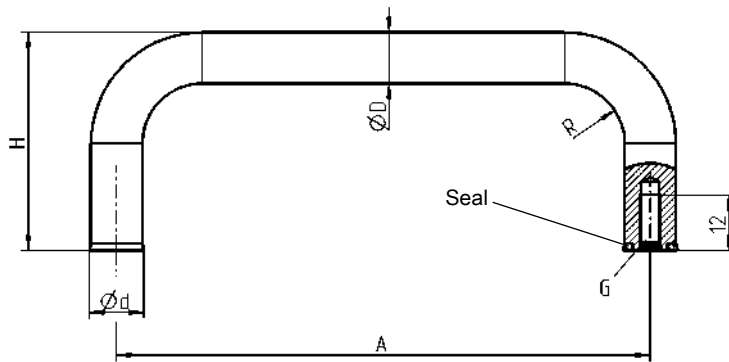


# St. steel bow-type handle for hygienic areas, Bow-type handle

PROGRAM 1095

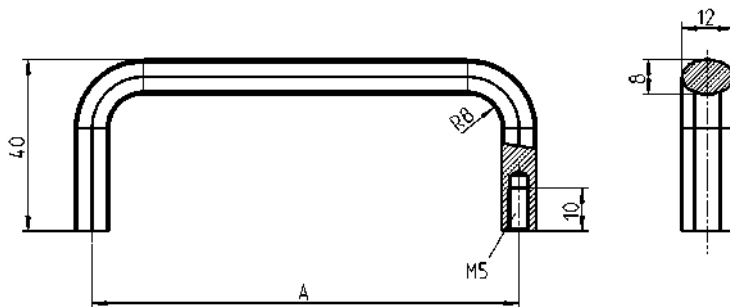
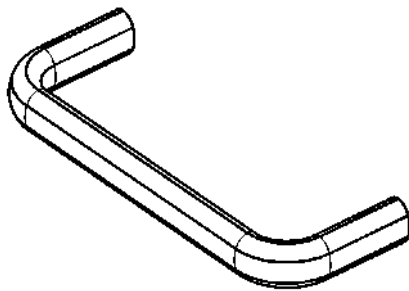


Stainless steel bow-type handle for hygienic areas with flat seal flush on the outside



Stainless steel bow-type handle AISI 316L for hygienic areas, with seal

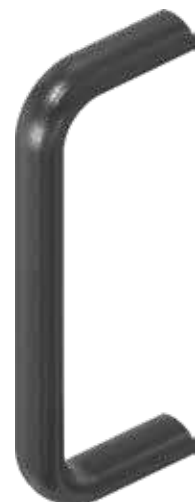
| A   | D  | d    | G  | H  | R  |                |
|-----|----|------|----|----|----|----------------|
| 125 | 12 | 12.8 | M5 | 51 | 14 | 1095-U38-125PK |
| 200 | 16 | 16.8 | M6 | 59 | 18 | 1095-U39-200PK |



\* Bow-type handle aluminium black plastic-coated

| A   |               |
|-----|---------------|
| 100 | 1095-40-100AA |
| 120 | 1095-40-120AA |
| 180 | 1095-40-180AA |
| 200 | 1095-40-200AA |

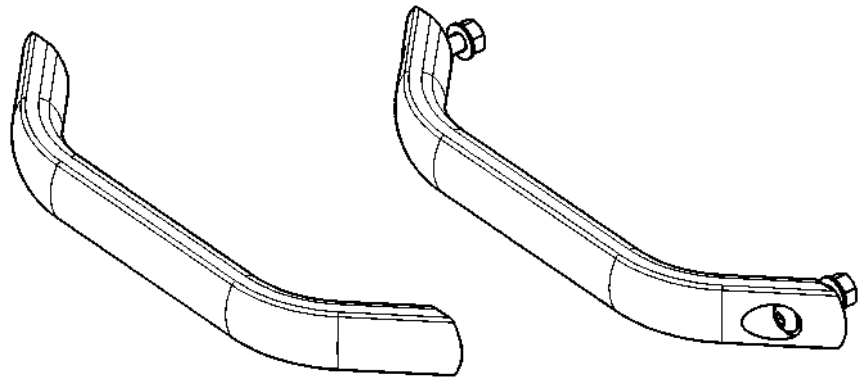
AISI INOX



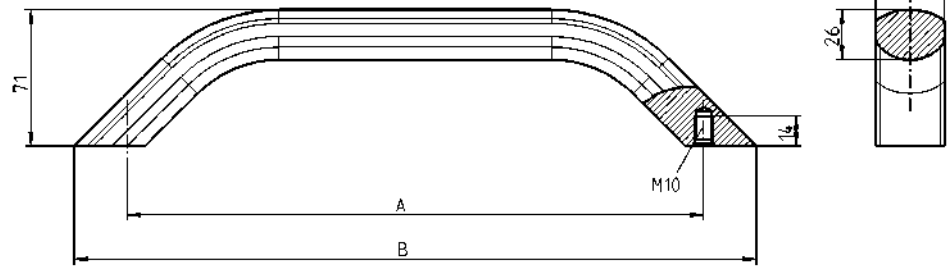
\* Fixing material is not included in scope of delivery.

Version 1

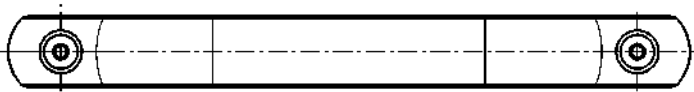
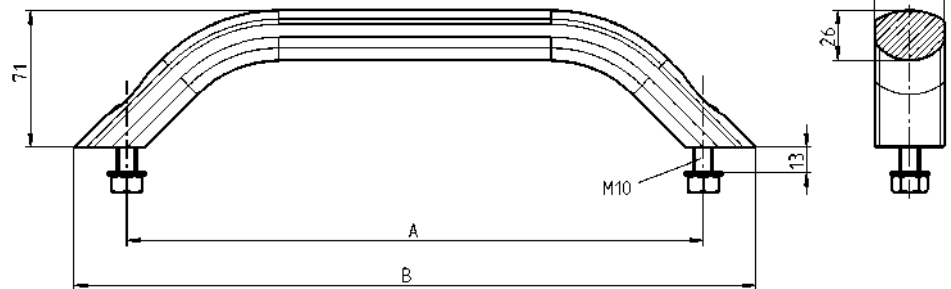
Version 2



\* Version 1



Version 2



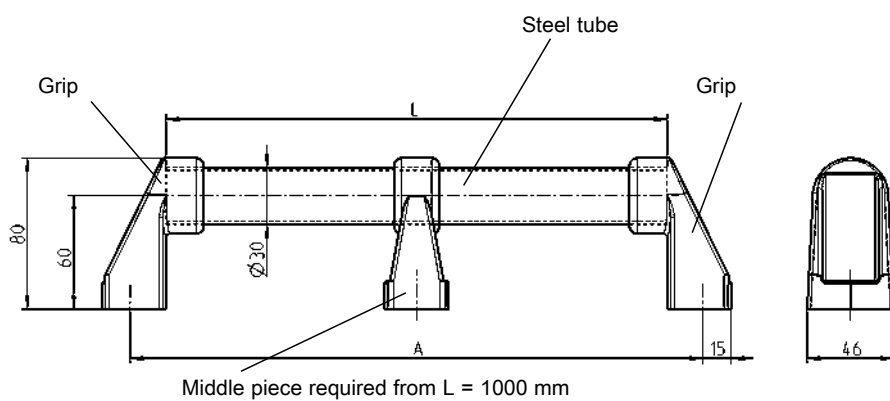
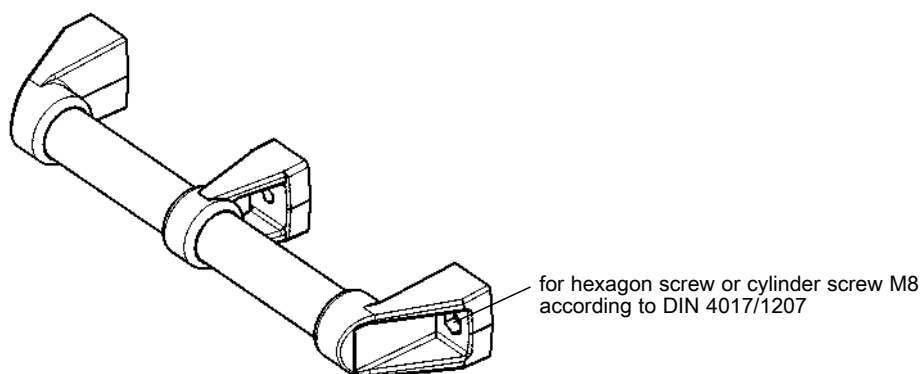
Machine handle aluminium black plastic-coated;  
for version 2: screw, washer and nut AISI 304

| A   | B   | Version 1     | Version 2      |
|-----|-----|---------------|----------------|
| 500 | 555 | 1095-41-500AA | 1095-U36-500AA |
| 600 | 655 | 1095-41-600AA | 1095-U36-600AA |
| 800 | 855 | 1095-41-800AA | 1095-U36-800AA |

\* Fixing material is not included in scope of delivery.

# Handle with variable length

## PROGRAM 1095



### Grip polyamide GF black

1095-07

### Middle piece polyamide GF black

1095-20

### Steel tube Ø 30 m.s. plastic-coated black

| L    | A    |         | L   | A   |         |
|------|------|---------|-----|-----|---------|
| 266  | 300  | 1095-08 | 366 | 400 | 1095-09 |
| 466  | 500  | 1095-10 | 566 | 600 | 1095-11 |
| 666  | 700  | 1095-13 | 766 | 800 | 1095-14 |
| 2500 | 2534 | 1095-21 |     |     |         |

Yard goods and fixed lengths up to 5000 mm \*

1095-12-L mm

\* Minimum quantity and delivery time on request!

Handle with variable length

Fixing material is not included in scope of delivery.

Info

1 Quarter turns

2 Rod controls

3 Locking systems

4 Hinges

5 Seals

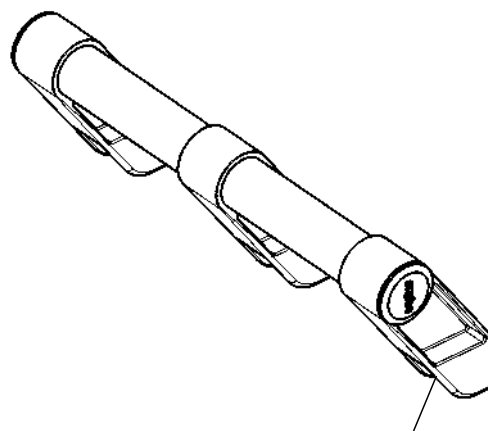
6 Handles

7 Aluminium windows

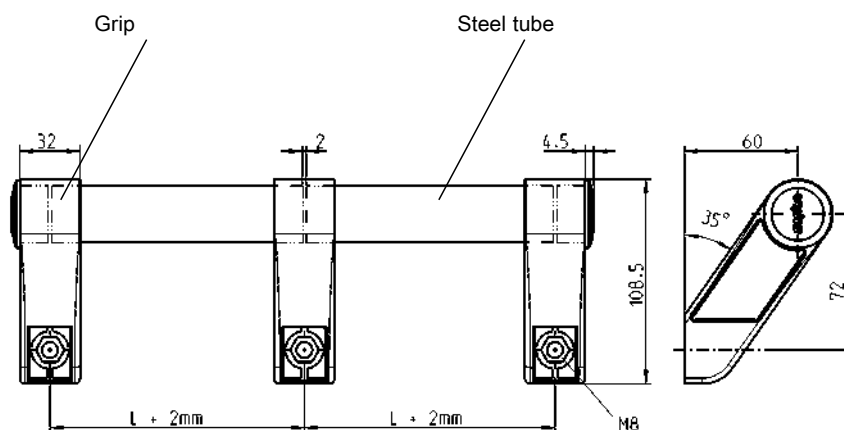
8 Miscellaneous

9 Special catalogues

Index



for hexagon screw or cylinder screw M8  
according to DIN 4017/1207



Grip usable left, right and as centre part. When used as a centre part, the tube has to be interrupted.

Handle with variable length  
(35° slope)

Fixing material is not included  
in scope of delivery.

**Grip polyamide black for hexagon screw or cylinder screw M8  
with 1 plug polypropylene black**

1095-U01

**Steel tube Ø 30 m.s. plastic-coated black**

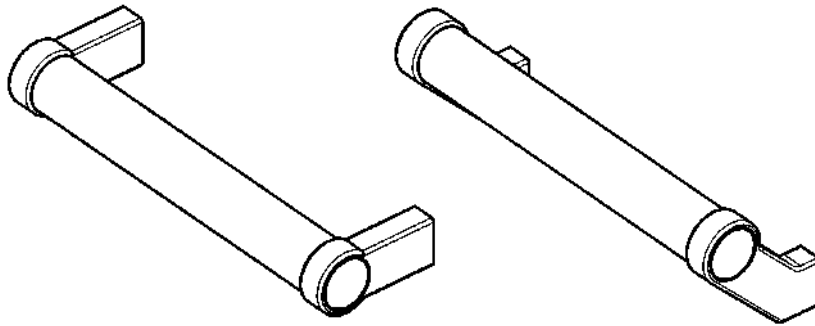
|         |         |         |         |
|---------|---------|---------|---------|
| L = 266 | 1095-08 | L = 366 | 1095-09 |
| L = 466 | 1095-10 | L = 566 | 1095-11 |
| L = 666 | 1095-13 | L = 766 | 1095-14 |

Yard goods and fixed lengths  
up to 5000 mm \*

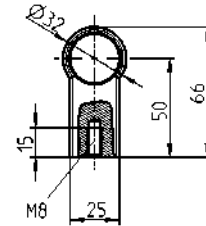
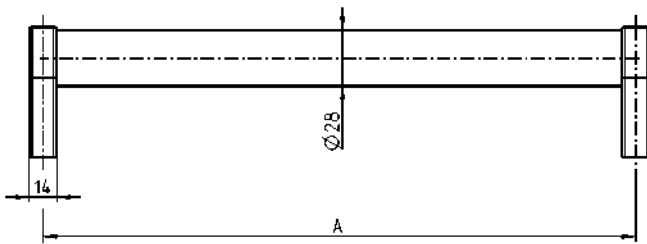
1095-12-L mm

\* Minimum quantity and delivery time on request!

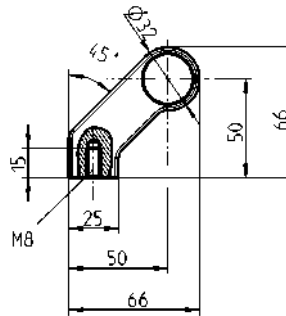
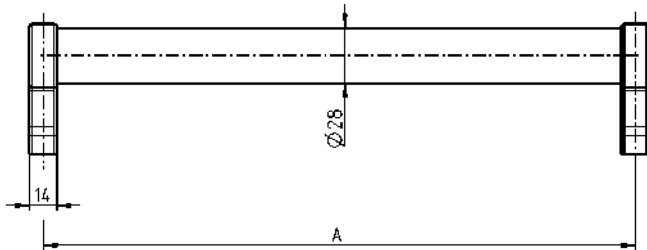
# Tube handle PROGRAM 1095



Version 1



Version 2



Version 1



Version 2

Tube handle aluminium anodized or black plastic-coated;  
handle base zinc die black plastic-coated;  
cover plastic light grey, screw m.s. zinc-plated

Version 1

| A   | anodized       | black          |
|-----|----------------|----------------|
| 200 | 1095-U26-200NA | 1095-U26-200AA |
| 250 | 1095-U26-250NA | 1095-U26-250AA |
| 300 | 1095-U26-300NA | 1095-U26-300AA |
| 400 | 1095-U26-400NA | 1095-U26-400AA |
| 500 | 1095-U26-500NA | 1095-U26-500AA |
| 600 | 1095-U26-600NA | 1095-U26-600AA |

Version 2

| A   | anodized       | black          |
|-----|----------------|----------------|
| 200 | 1095-U27-200NA | 1095-U27-200AA |
| 250 | 1095-U27-250NA | 1095-U27-250AA |
| 300 | 1095-U27-300NA | 1095-U27-300AA |
| 400 | 1095-U27-400NA | 1095-U27-400AA |
| 500 | 1095-U27-500NA | 1095-U27-500AA |
| 600 | 1095-U27-600NA | 1095-U27-600AA |

Fixing material is not included  
in scope of delivery.

Info

1 Quarter turns

2 Rod controls

3 Locking systems

4 Hinges

5 Seals

6 Handles

7 Aluminium windows

8 Miscellaneous

9 Special catalogues

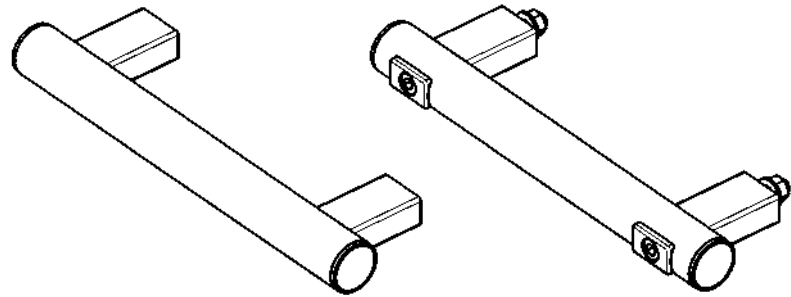
Index



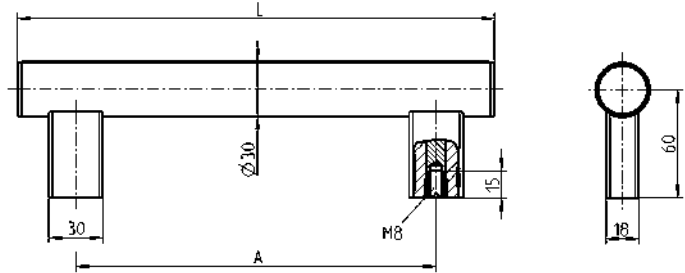
Version 1

Version 2

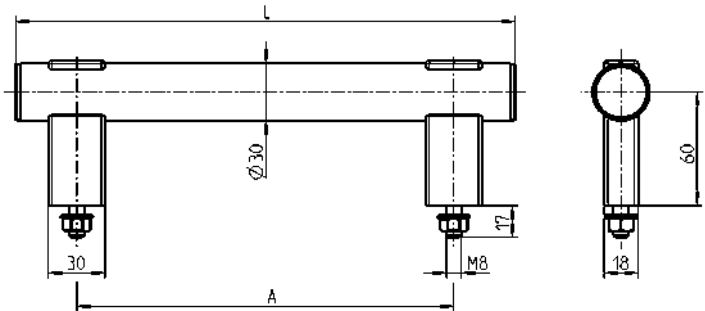
\* Fixing material is not included in scope of delivery.



\* Version 1



Version 2



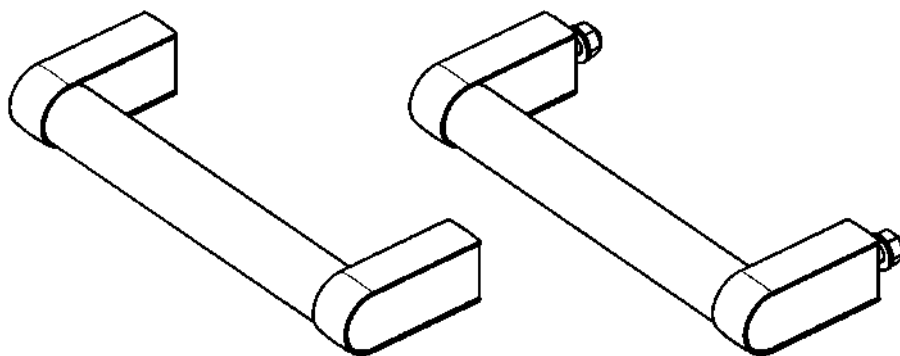
Tube handle aluminium anodized or black plastic-coated;  
handle base polyamide GF black, cover plastic black;  
holding screw and nut m.s. zinc-plated

Version 1

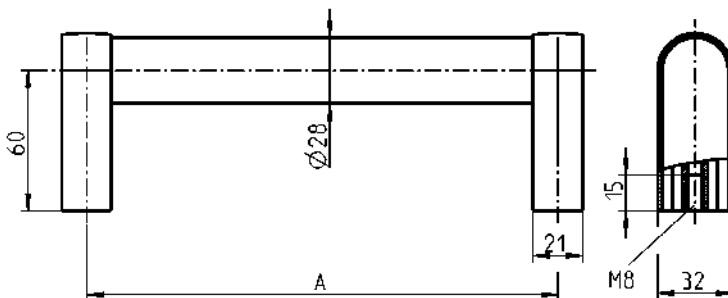
| A   | L   | anodized       | black          |
|-----|-----|----------------|----------------|
| 200 | 265 | 1095-U28-200NA | 1095-U28-200AA |
| 250 | 315 | 1095-U28-250NA | 1095-U28-250AA |
| 300 | 365 | 1095-U28-300NA | 1095-U28-300AA |
| 400 | 465 | 1095-U28-400NA | 1095-U28-400AA |
| 500 | 565 | 1095-U28-500NA | 1095-U28-500AA |
| 600 | 665 | 1095-U28-600NA | 1095-U28-600AA |

Version 2

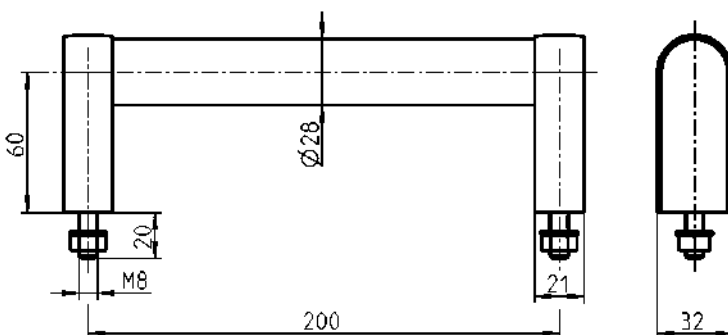
| A   | L   | anodized       | black          |
|-----|-----|----------------|----------------|
| 200 | 265 | 1095-U29-200NA | 1095-U29-200AA |
| 250 | 315 | 1095-U29-250NA | 1095-U29-250AA |
| 300 | 365 | 1095-U29-300NA | 1095-U29-300AA |
| 400 | 465 | 1095-U29-400NA | 1095-U29-400AA |
| 500 | 565 | 1095-U29-500NA | 1095-U29-500AA |
| 600 | 665 | 1095-U29-600NA | 1095-U29-600AA |



\* Version 1



Version 2



Tube handle aluminium anodized or black plastic-coated;  
cover plastic black, screw and nut m.s. zinc-plated

Version 1

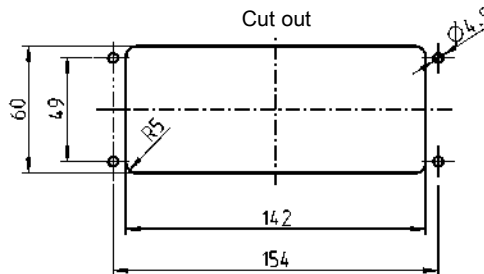
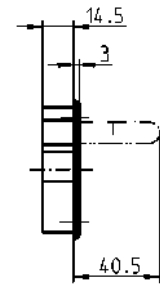
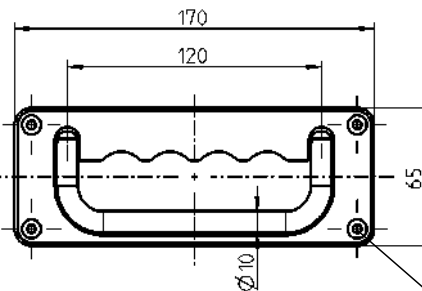
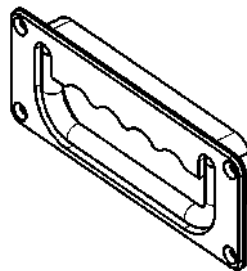
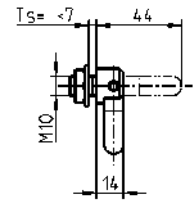
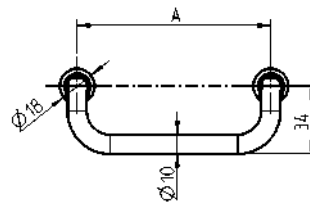
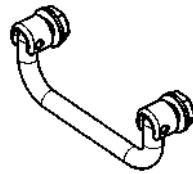
| A   | anodized       | black          |
|-----|----------------|----------------|
| 200 | 1095-U30-200NA | 1095-U30-200AA |
| 250 | 1095-U30-250NA | 1095-U30-250AA |
| 300 | 1095-U30-300NA | 1095-U30-300AA |
| 400 | 1095-U30-400NA | 1095-U30-400AA |
| 500 | 1095-U30-500NA | 1095-U30-500AA |
| 600 | 1095-U30-600NA | 1095-U30-600AA |

Version 2

| A   | anodized       | black          |
|-----|----------------|----------------|
| 200 | 1095-U31-200NA | 1095-U31-200AA |
| 250 | 1095-U31-250NA | 1095-U31-250AA |
| 300 | 1095-U31-300NA | 1095-U31-300AA |
| 400 | 1095-U31-400NA | 1095-U31-400AA |
| 500 | 1095-U31-500NA | 1095-U31-500AA |
| 600 | 1095-U31-600NA | 1095-U31-600AA |

\* Fixing material is not included in scope of delivery.

**AISI  
INOX**



\* Fixing hole for countersunk screw M4 DIN 7991

**\*\* = on request**

- Handle length 100 instead of 120
- with spring return of the handle to the folded position

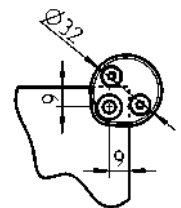
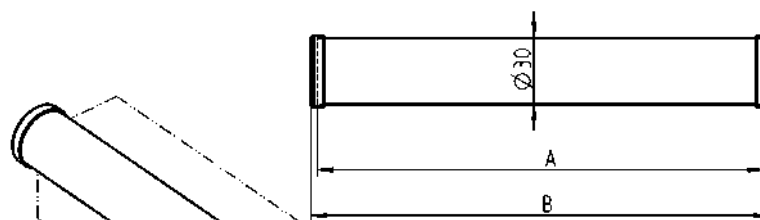
**Chest handle m.s. chrome-plated or stainless steel AISI 303; fixing material AISI 303**

| A   | m.s. chrome-plated | AISI 303       |
|-----|--------------------|----------------|
| 100 | 1095-U32-100IA     | 1095-U32-100PF |
| 120 | 1095-U32-120IA     | 1095-U32-120PF |
| 180 | 1095-U32-180IA     | 1095-U32-180PF |

**Chest handle m.s. chrome-plated, grip shell zinc die black**

with locking mechanism of the handle in the folded and unfolded position

1095-U32-AA \*\*



\* Fixing hole for countersunk screw small head M5

**Edge handle aluminium profile black plastic-coated; end pieces zinc die black plastic-coated, screws m.s. black**

| A   | B   |                |
|-----|-----|----------------|
| 100 | 106 | 1095-U33-100AA |
| 200 | 206 | 1095-U33-200AA |
| 300 | 306 | 1095-U33-300AA |
| 400 | 406 | 1095-U33-400AA |
| 500 | 506 | 1095-U33-500AA |

\* Fixing material is not included in scope of delivery.

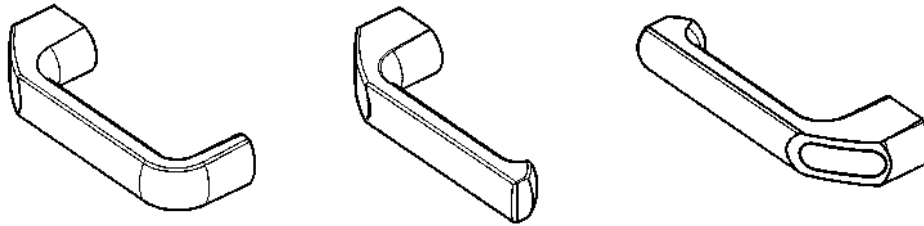
**6A-420** 03/18

(6A-156)

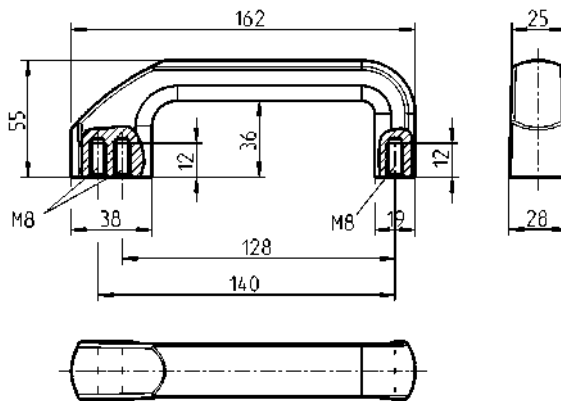


# Handle

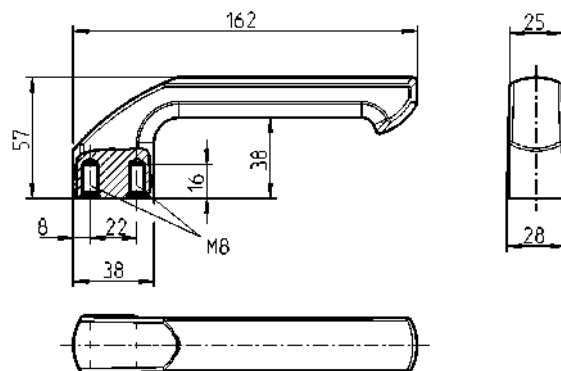
## PROGRAM 1095



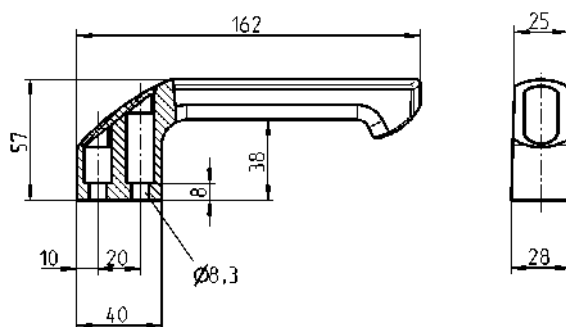
Version 1



Version 2



Version 3



Version 1



Version 2



Version 3

Handle aluminium black plastic-coated

Version 1

1095-31-200AA

Version 2

1095-32-200AA

Version 3 with covering cap plastic black

1095-U37-AA

Fixing material is not included in scope of delivery.



# Handles Program 6040

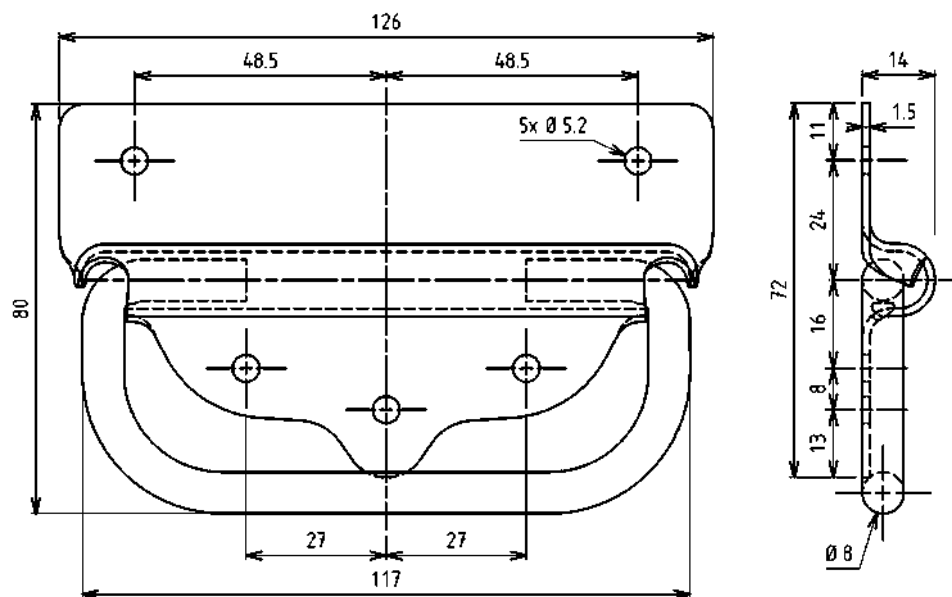


- |   |  |        |
|---|--|--------|
| 1 | Chest handle   | 6B-120 |
| 2 | Chest handle with leaf spring                        | 6B-140 |
| 3 | Chest handle with recessed piano wire torsion spring | 6B-160 |
| 4 | Chest handle with piano wire torsion spring          | 6B-180 |
| 5 | Bow-type handle                                      | 6B-220 |
| 6 | Chest handle   | 6B-240 |

Surface protection for steel parts:  
zinc-plated, thick-film passivated (DS)  
and Top Coat sealed.

## 6B-100

**AISI  
INOX**



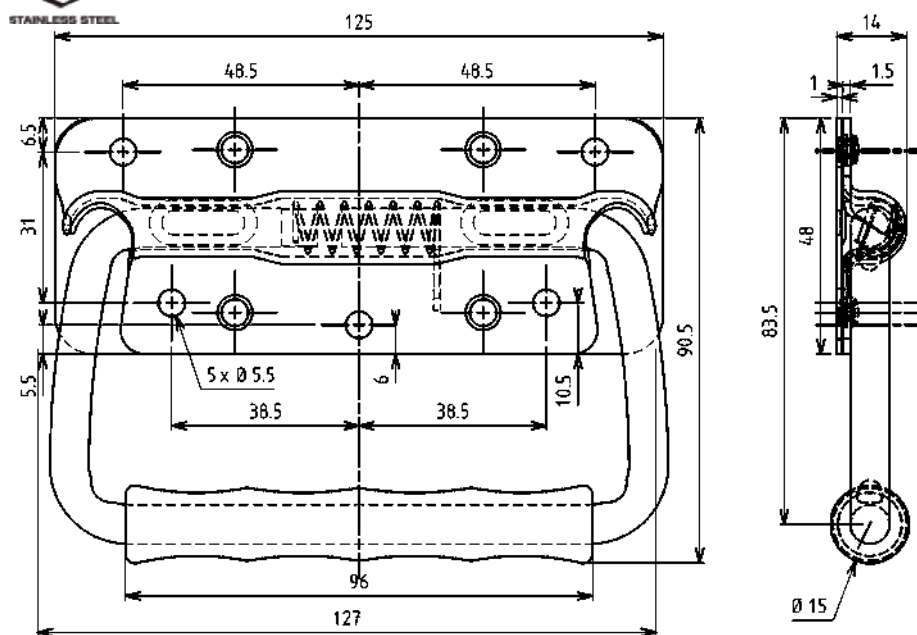
### Chest handle

Further parts see page  
– Counterplate 6B-320

|   | without piano wire<br>torsion spring |
|---|--------------------------------------|
| m.s. raw, perforated                          | 6040-U12-KA                          |
| m.s. raw, unperforated                        | 6040-U12-01KA                        |
| m.s. zinc-plated DS plus Top Coat, perforated | 6040-U12-JQ                          |



Depicted with piano wire torsion spring and counterplate



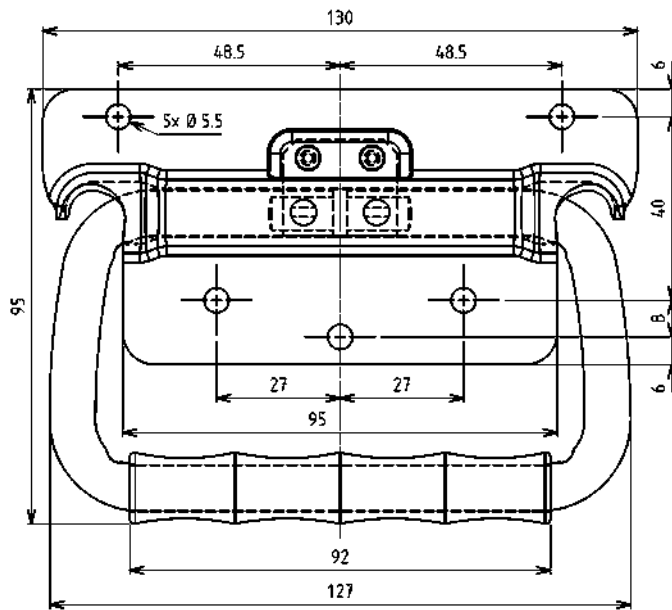
### Chest handle

Further parts see page  
– Counterplate 6B-320

|  | without piano wire<br>torsion spring and<br>counterplate | with piano wire<br>torsion spring |
|--|--|-----------------------------------|
| m.s. zinc-plated DS plus Top Coat,<br>perforated | 6040-U14-JQ  | 6040-U13-JQ                       |
| AISI 304, perforated                             | 6040-U14-PC  | 6040-U13-PC                       |

# Handles

## PROGRAM 6040



AISI  
INOX



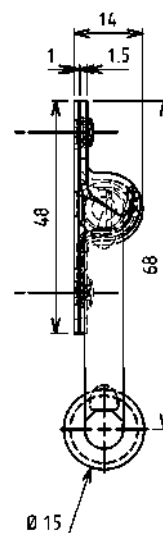
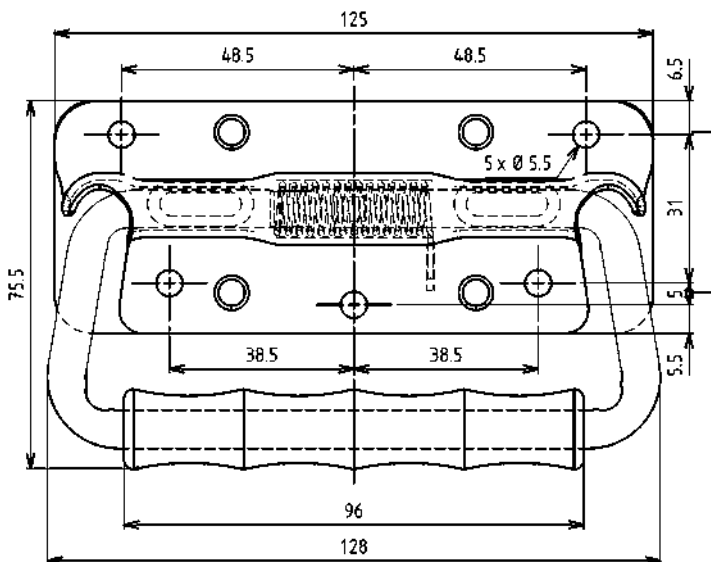
### Chest handle

|   | without leaf spring | with leaf spring |
|---|---------------------|------------------|
| m.s. zinc-plated DS plus Top Coat, perforated | 6040-U24-JQ         | 6040-U23-JQ      |
| AISI 304, perforated                          | 6040-U24-PC         | 6040-U23-PC      |

Further parts see page  
– Counterplate

6B-320

Depicted with piano wire torsion spring and counterplate



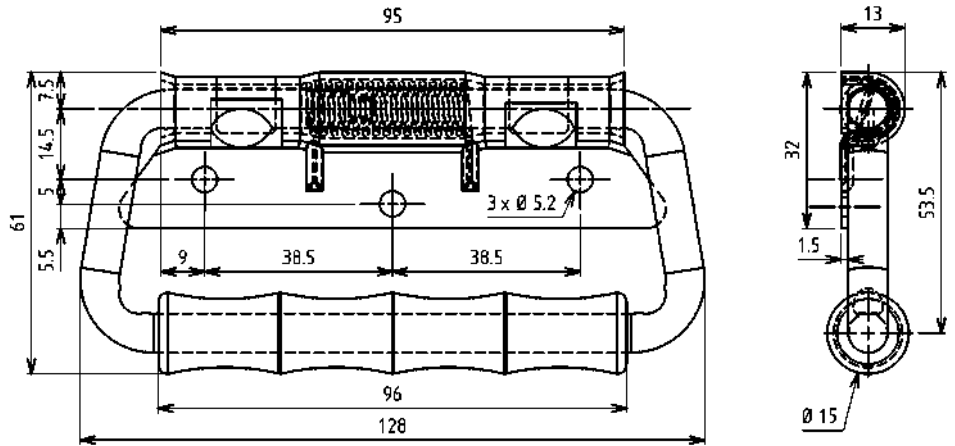
### Chest handle

|   | without piano wire torsion spring and counterplate | with piano wire torsion spring |
|---|--|--------------------------------|
| m.s. zinc-plated DS plus Top Coat, perforated | 6040-U34-JQ  | 6040-U33-JQ                    |
| AISI 304, perforated                          | 6040-U34-PC  | 6040-U33-PC                    |

Further parts see page  
– Counterplate

6B-320

**AISI  
INOX**

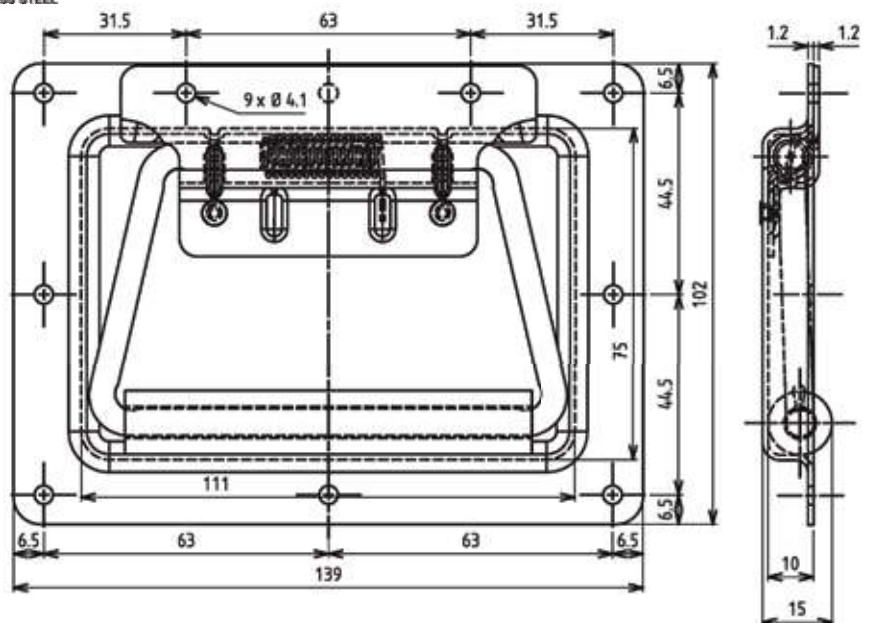


### Chest handle

Further parts see page  
– Counterplate 6B-320

m.s. zinc-plated DS plus Top Coat, perforated  
AISI 304, perforated

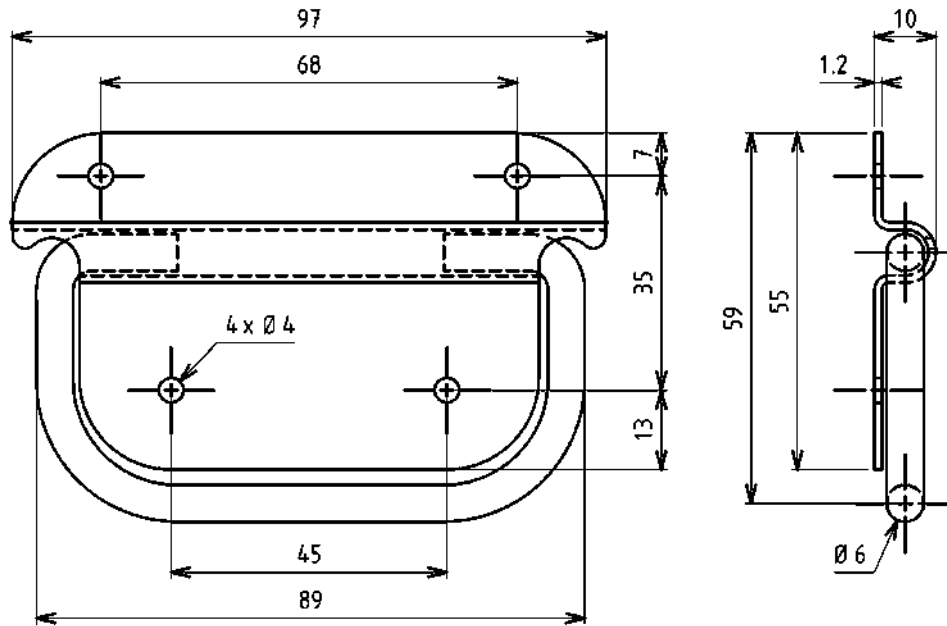
with piano wire  
torsion spring  
6040-U35-JQ  
6040-U35-PC



### Recessed chest handle

m.s. zinc-plated DS plus Top Coat, perforated  
AISI 304, perforated

with piano wire  
torsion spring  
6040-U41-JQ  
6040-U41-PC



**AISI INOX**



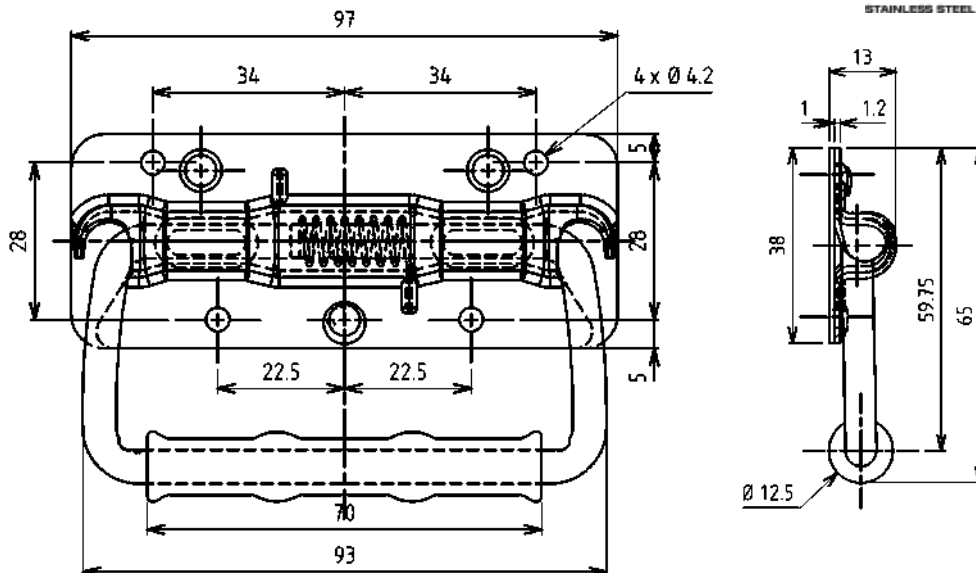
### Chest handle

m.s. zinc-plated DS plus Top Coat, perforated

without piano wire torsion spring

6040-U46-JQ

Depicted with piano wire torsion spring and counterplate



### Chest handle

m.s. zinc-plated DS plus Top Coat, perforated

AISI 304, perforated

without piano wire torsion spring and counterplate

6040-U54-JQ

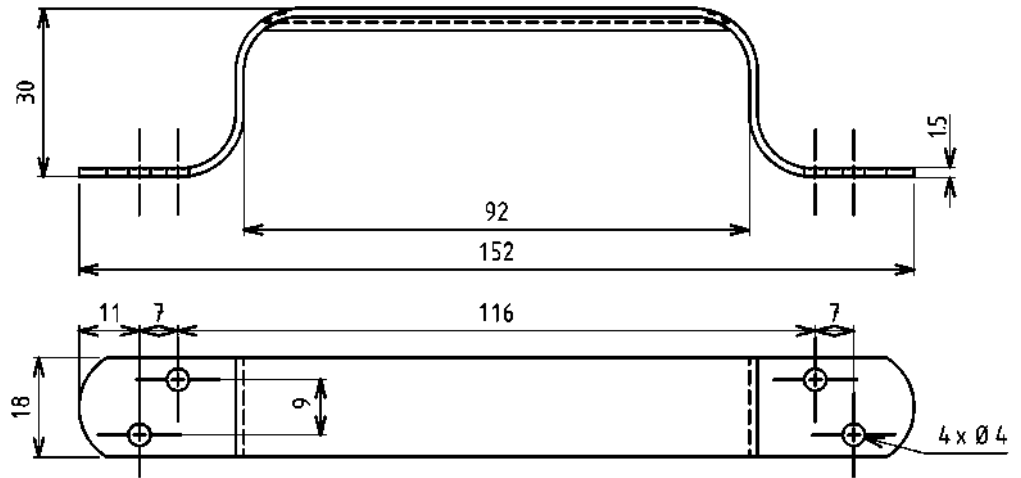
6040-U54-PC

with piano wire torsion spring

6040-U53-JQ

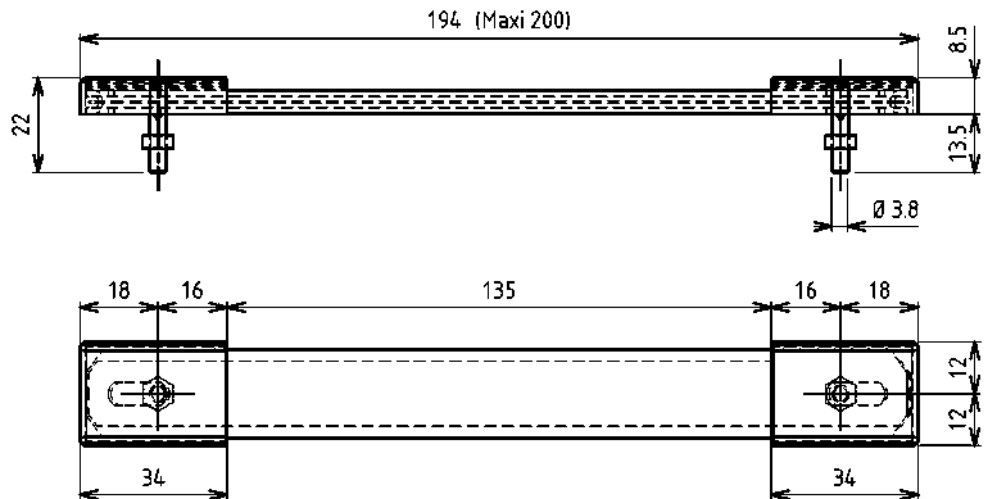
6040-U53-PC

AISI  
INOX



### Bow-type handle

|   |              |
|---|--------------|
| m.s. raw, perforated                          | 6040-15-KA   |
| m.s. raw, unperforated                        | 6040-15-01KA |
| m.s. zinc-plated DS plus Top Coat, perforated | 6040-15-JQ   |
| AISI 304, perforated                          | 6040-15-PC   |



### Case-handle

|                                |             |
|--------------------------------|-------------|
| m.s. nickel-plated, perforated | 6040-U19-LA |
|--------------------------------|-------------|

**6B-220**

(9B-160)

© EMKA Beschlagteile GmbH & Co. KG • 2021 • [www.emka.com](http://www.emka.com)

Items printed in gray without stock

Info

1 Quarter turns

2 Rod controls

3 Locking systems

4 Hinges

5 Seals

6 Handles

7 Aluminium windows

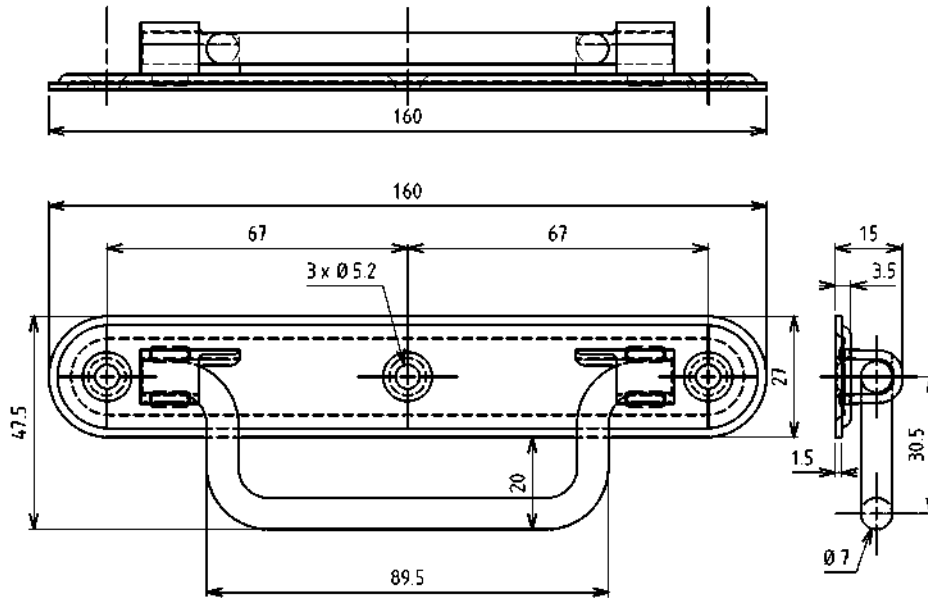
8 Miscellaneous

9 Special catalogues

Index



# Handle, Slings ring PROGRAM 6040



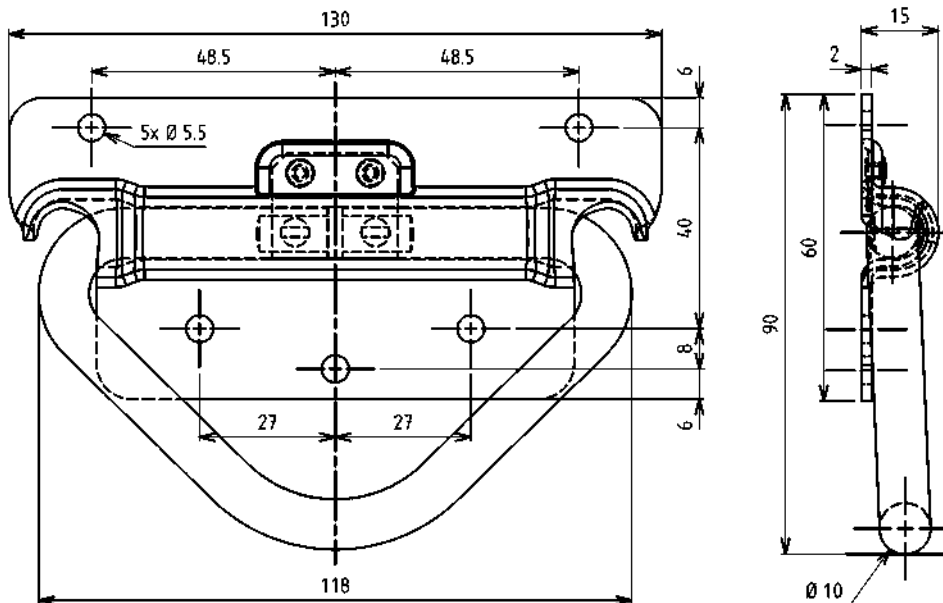
## Chest handle

m.s. zinc-plated DS plus Top Coat, perforated

without piano wire  
torsion spring  
6040-U94-JQ

Further parts see page  
– Counterplate

6B-320



## Slings ring

m.s. zinc-plated DS plus Top Coat, perforated

AISI 304, perforated

with  
leaf spring  
6040-U80-JQ  
6040-U80-PC

Further parts see page  
– Counterplate

6B-320

Info

1 Quarter turns

2 Rod controls

3 Locking systems

4 Hinges

5 Seals

6 Handles

7 Aluminium windows

8 Miscellaneous

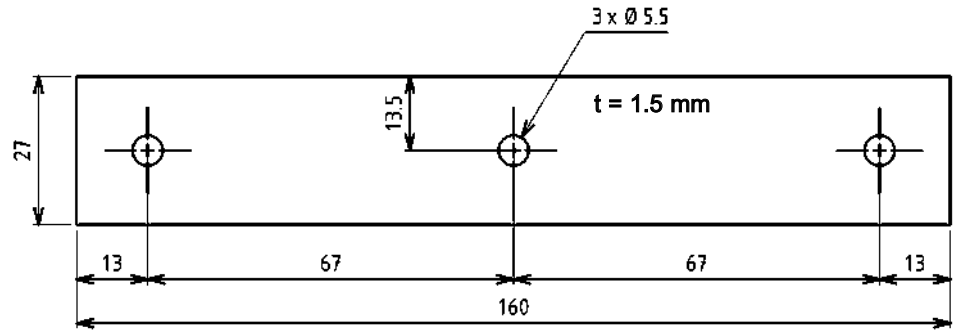
9 Special catalogues

Index

**AISI  
INOX**



Further parts see page  
– Chest handle 6B-240



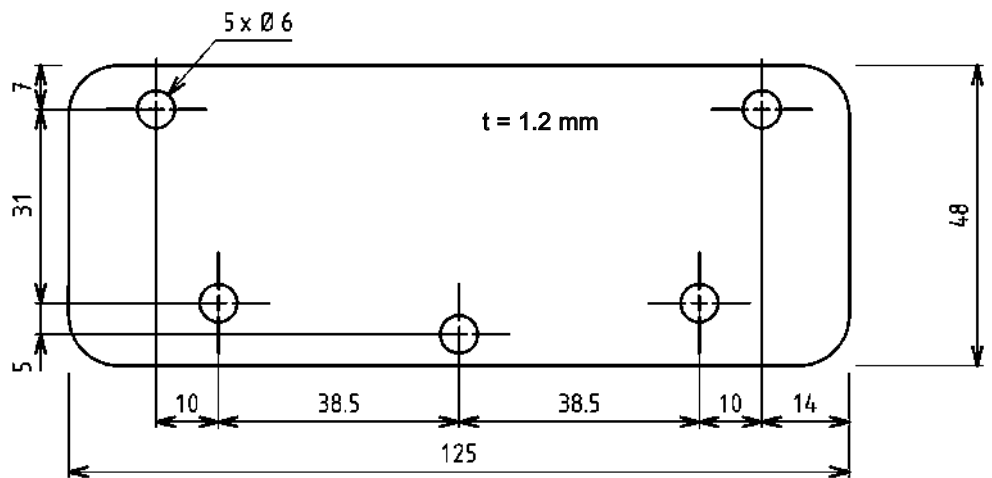
**Counterplate for handle**

m.s. zinc-plated DS plus Top Coat

6042-278-JQ



Further parts see page  
– Chest handle 6B-120  
to 6B-160



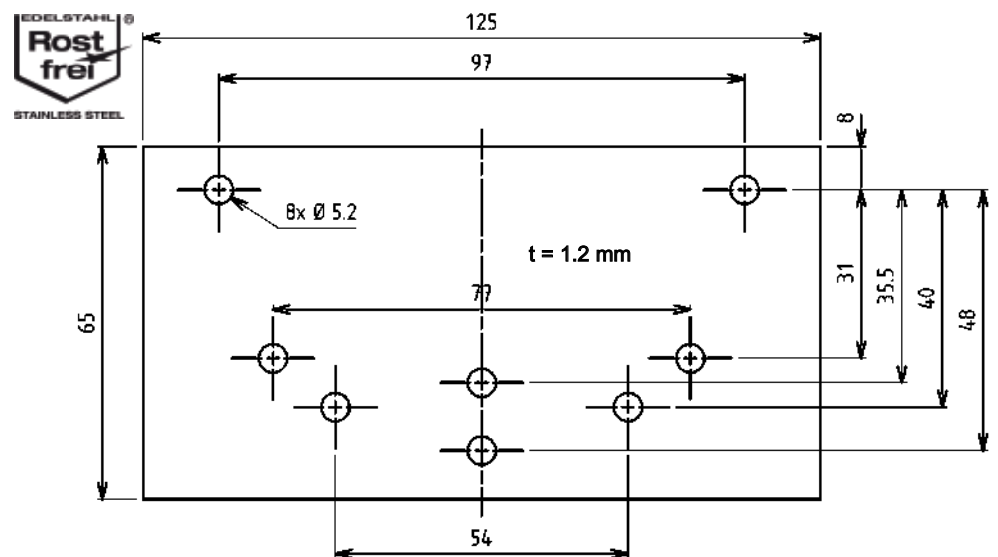
**Counterplate for handle**

m.s. zinc-plated DS plus Top Coat

6042-63-JQ



Further parts see page  
– Chest handle 6B-120  
6B-140  
6B-240



**Counterplate for handle**

m.s. zinc-plated DS plus Top Coat

6042-69-JQ

AISI 304

6042-69-PC

**6B-320** 09/17

(6B-340)

# Aluminium windows Program 1200



- |   |                                    |        |
|---|------------------------------------|--------|
| 1 | Aluminium windows without frame    | 7A-120 |
| 2 | Aluminium windows with 30 mm frame | 7A-120 |
| 3 | Aluminium windows with 61 mm frame | 7A-120 |

On request, assembly is carried out with gas springs

## 7A-100

Info

1 Quarter turns

2 Rod controls

3 Locking systems

4 Hinges

5 Seals

6 Handles

7 Aluminium windows

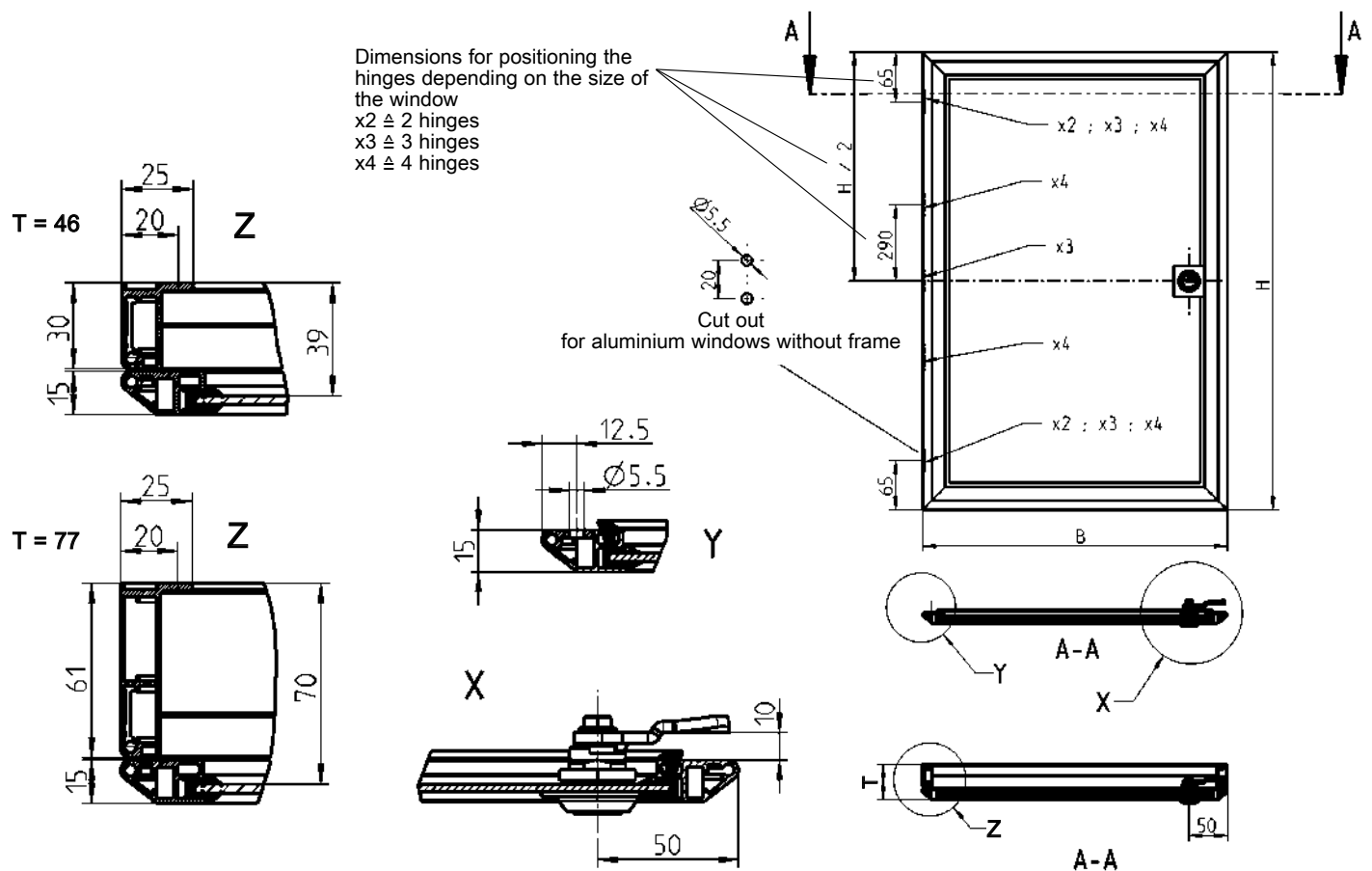
8 Miscellaneous

9 Special catalogues

Index

# Aluminium windows

## PROGRAM 1200



### Aluminium windows with 30 mm frame



### Aluminium windows with 61 mm frame



### Aluminium windows without frame



Version **6**

Aluminium window with wing knob quarter turn front



Version **7**

Aluminium window with cylinder quarter turn front

| Part no.     | Number of chosen version |                    |
|--------------|--------------------------|--------------------|
|              | →700                     | →800               |
| Height in mm | →900                     | →1000              |
| Width in mm  | →900                     | →1000              |
| H            | 1200-U55-07<br>3/3       | 1200-U56-07<br>3/3 |
| B            | 1200-U55-08<br>3/3       | 1200-U56-08<br>3/3 |

Number of locks

Number of hinges

### Aluminium window anodised; pane with seal

Lock of the types 0, 1, 3, 4, 6:

Wing knob quarter turn zinc die black powder-coated; round cylinder with stainless steel cap; keyed 2233X; one key per round cylinder of nickel-silver with grip polyamide black

Lock of the types 2, 5, 7:

Cylinder quarter turn zinc die black powder-coated; round cylinder with stainless steel cap and dust slider; keyed EK333; one key per round cylinder of nickel-silver with grip polyamide black

Opening angle:  
without frame ..... 140°  
with frame ..... 175°

### Order example:

You need an aluminium window of version 5 with the dimensions B = 620 mm, H = 840 mm. Please order: 1200-U55-07 620x840

### Note:

The framed items are also available with safety glass or with aluminium composite panel.

### Note:

For versions 0, 1, 3, 4 and 6, only one lock is lockable for larger aluminium windows with several locks.

### Note:

For versions 2, 5 and 7, all locks are lockable for larger aluminium windows.

Keyed different on request.

For versions 0, 1, 3, 4 and 5, mounting with gas spring is possible.

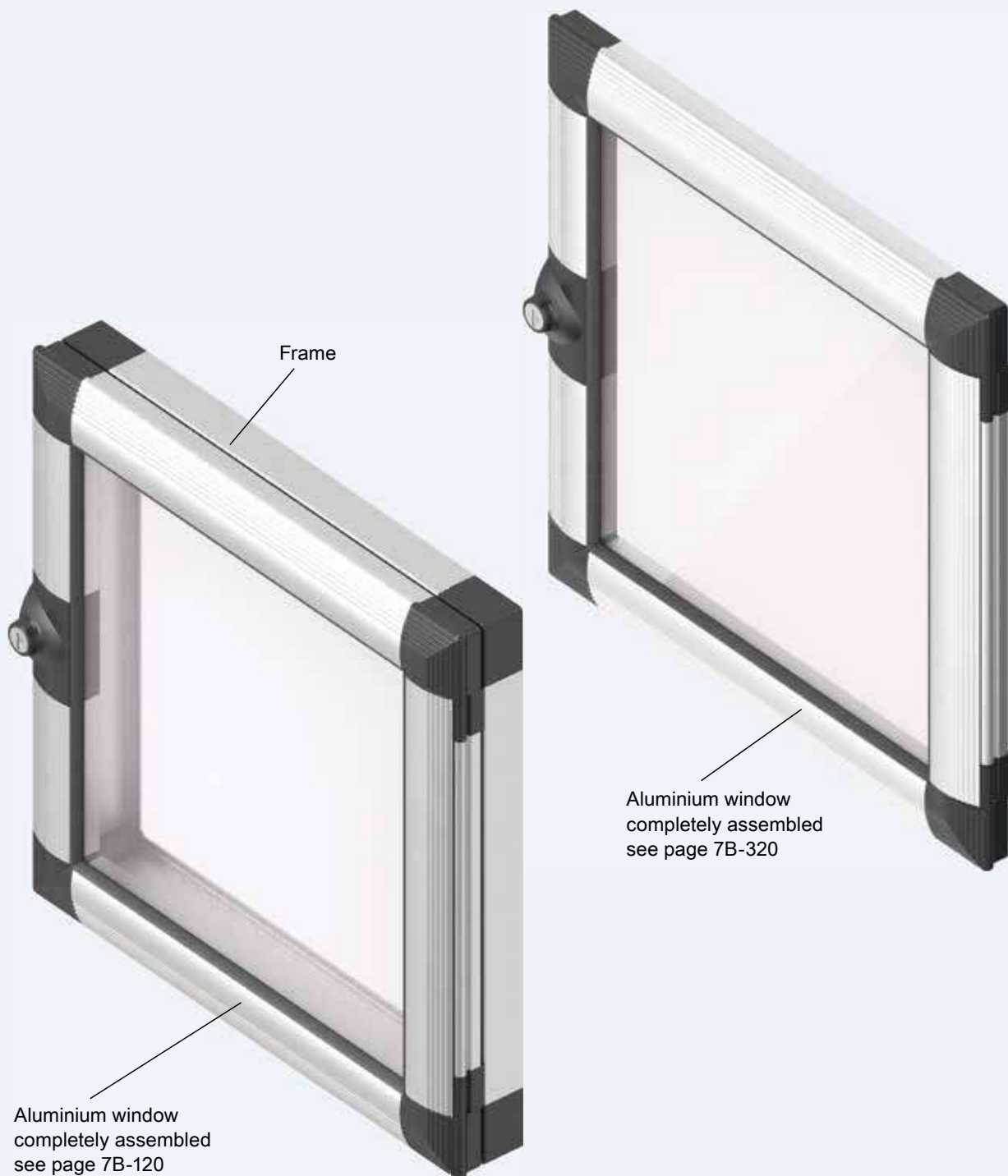
For versions 0, 1, 3, 4 and 5, frame with 114 mm is also available.

| Height in mm | Width in mm | Complete the "?" with the "number" of the version of your choice |                    |                    |                    |                    |                    |                    |                    |
|--------------|-------------|--|--------------------|--------------------|--------------------|--------------------|--------------------|--------------------|--------------------|
|              |             | 300←   | →400               | →500               | →600               | →700               | →800               | →900               | →1000              |
| 300←         |             | 1200-U?1-01<br>1/2   | 1200-U?2-01<br>1/2 | 1200-U?3-01<br>1/2 | 1200-U?4-01<br>1/2 | 1200-U?5-01<br>1/2 |                    |                    |                    |
| →400         |             | 1200-U?1-02<br>1/2   | 1200-U?2-02<br>1/2 | 1200-U?3-02<br>1/2 | 1200-U?4-02<br>1/2 | 1200-U?5-02<br>1/2 |                    |                    |                    |
| →500         |             | 1200-U?1-03<br>1/2   | 1200-U?2-03<br>1/2 | 1200-U?3-03<br>1/2 | 1200-U?4-03<br>1/2 | 1200-U?5-03<br>1/2 |                    |                    |                    |
| →600         |             | 1200-U?1-04<br>1/2   | 1200-U?2-04<br>1/2 | 1200-U?3-04<br>1/2 | 1200-U?4-04<br>1/2 | 1200-U?5-04<br>2/2 |                    |                    |                    |
| →700         |             | 1200-U?1-05<br>1/2   | 1200-U?2-05<br>1/2 | 1200-U?3-05<br>2/2 | 1200-U?4-05<br>2/2 | 1200-U?5-05<br>2/2 | 1200-U?6-05<br>2/2 |                    |                    |
| →800         |             | 1200-U?1-06<br>1/2   | 1200-U?2-06<br>1/2 | 1200-U?3-06<br>2/2 | 1200-U?4-06<br>2/2 | 1200-U?5-06<br>2/2 | 1200-U?6-06<br>2/2 |                    |                    |
| →900         |             | 1200-U?1-07<br>2/3   | 1200-U?2-07<br>2/3 | 1200-U?3-07<br>2/3 | 1200-U?4-07<br>2/3 | 1200-U?5-07<br>3/3 | 1200-U?6-07<br>3/3 | 1200-U?7-07<br>3/3 |                    |
| →1000        |             | 1200-U?1-08<br>2/3   | 1200-U?2-08<br>2/3 | 1200-U?3-08<br>2/3 | 1200-U?4-08<br>2/3 | 1200-U?5-08<br>3/3 | 1200-U?6-08<br>3/3 | 1200-U?7-08<br>3/3 | 1200-U?8-08<br>3/3 |
| →1100        |             |  | 1200-U?2-09<br>2/3 | 1200-U?3-09<br>2/3 | 1200-U?4-09<br>2/3 | 1200-U?5-09<br>3/3 | 1200-U?6-09<br>3/3 | 1200-U?7-09<br>3/3 | 1200-U?8-09<br>3/3 |
| →1200        |             |  | 1200-U?2-10<br>2/3 | 1200-U?3-10<br>2/3 | 1200-U?4-10<br>2/3 | 1200-U?5-10<br>3/3 | 1200-U?6-10<br>3/3 | 1200-U?7-10<br>3/3 | 1200-U?8-10<br>3/3 |
| →1300        |             |  |                    | 1200-U?3-11<br>3/3 | 1200-U?4-11<br>3/3 | 1200-U?5-11<br>3/3 | 1200-U?6-11<br>3/3 | 1200-U?7-11<br>3/3 | 1200-U?8-11<br>3/3 |
| →1400        |             |  |                    | 1200-U?3-12<br>3/3 | 1200-U?4-12<br>3/3 | 1200-U?5-12<br>3/3 | 1200-U?6-12<br>3/3 | 1200-U?7-12<br>3/3 | 1200-U?8-12<br>3/3 |
| →1500        |             |  |                    | 1200-U?3-13<br>3/3 | 1200-U?4-13<br>3/3 | 1200-U?5-13<br>3/3 | 1200-U?6-13<br>3/3 | 1200-U?7-13<br>3/3 | 1200-U?8-13<br>3/3 |
| →1600        |             |  |                    | 1200-U?3-14<br>3/3 | 1200-U?4-14<br>3/3 | 1200-U?5-14<br>3/3 | 1200-U?6-14<br>3/3 | 1200-U?7-14<br>3/3 | 1200-U?8-14<br>3/3 |
| →1700        |             |  |                    |                    | 1200-U?4-15<br>3/4 | 1200-U?5-15<br>3/4 | 1200-U?6-15<br>3/4 | 1200-U?7-15<br>3/4 | 1200-U?8-15<br>3/4 |
| →1800        |             |  |                    |                    | 1200-U?4-16<br>3/4 | 1200-U?5-16<br>3/4 | 1200-U?6-16<br>3/4 | 1200-U?7-16<br>3/4 | 1200-U?8-16<br>3/4 |
| →1900        |             |  |                    |                    |                    | 1200-U?5-17<br>3/4 | 1200-U?6-17<br>3/4 | 1200-U?7-17<br>3/4 | 1200-U?8-17<br>3/4 |
| →2000        |             |  |                    |                    |                    | 1200-U?5-18<br>3/4 | 1200-U?6-18<br>3/4 | 1200-U?7-18<br>3/4 | 1200-U?8-18<br>3/4 |

# EMKA PROflex

## Aluminium window - with or without a frame

### Program 1210



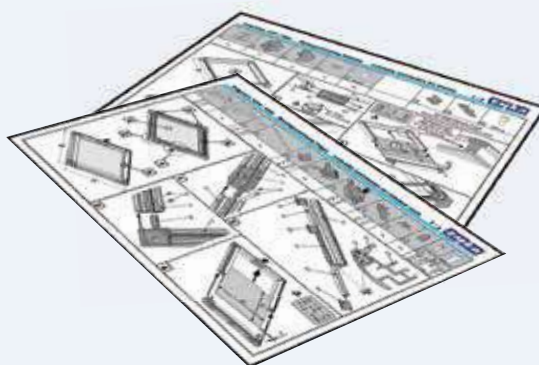
# Aluminium window as a kit



Window  
unassembled as a kit  
see pages 7B-120, 7B-320



Window frame  
unassembled as a kit  
see page 7B-120



Assembly instruction

Info  
1 Quarter turns  
2 Rod controls  
3 Locking systems  
4 Hinges  
5 Seals  
6 Handles  
7 Aluminium windows  
8 Miscellaneous  
9 Special catalogues  
Index



Available fully assembled or as a kit



Opening angle 180°

**Attention:**  
Please specify locking set separately!  
(see page 7B-220)

**Note:**

For mounting threaded channel M5 on the back of the frame. Alternative mounting option from the front. (see page 7B-420)

Polycarbonate glass or safety glass on request.

Window sizes for applications with safety glass please see table on page 7B-520.

External dimensions of the aluminium window:  
Height from 320 to 2000 mm  
Width from 300 to 1000 mm  
**Height = Closure or hinge side**

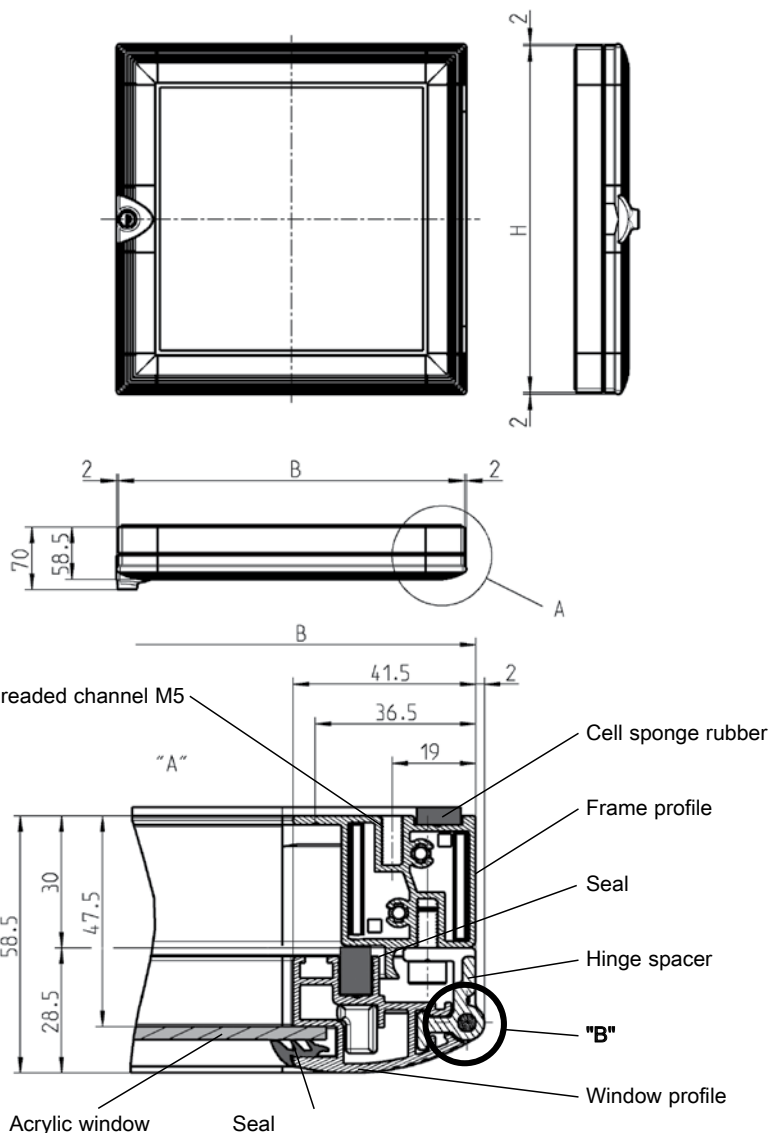
Rear panel 3.5 to 4 mm possible!

Mounting by simple plugging in. Rear panel size H minus 62 mm and W minus 62 mm.

Further parts see page – Lock 7B-220

Dimensions for mounting see page 7B-420

Further ordering details see page 7B-520



**Order example:**

You need a aluminium window with the dimensions H = 750 mm and W = 520 mm.  
**Attention:** Please note that at the handle edge 2 mm protrusion per side must be considered (see detail "B")!

**Please order:**

**Version 1:** Aluminium window assembled  
1210-U (Height) - (Width) = 1210-U 750-520

**Version 2:** Aluminium window unassembled as a kit  
1210-X (Height) - (Width) = 1210-X 750-520

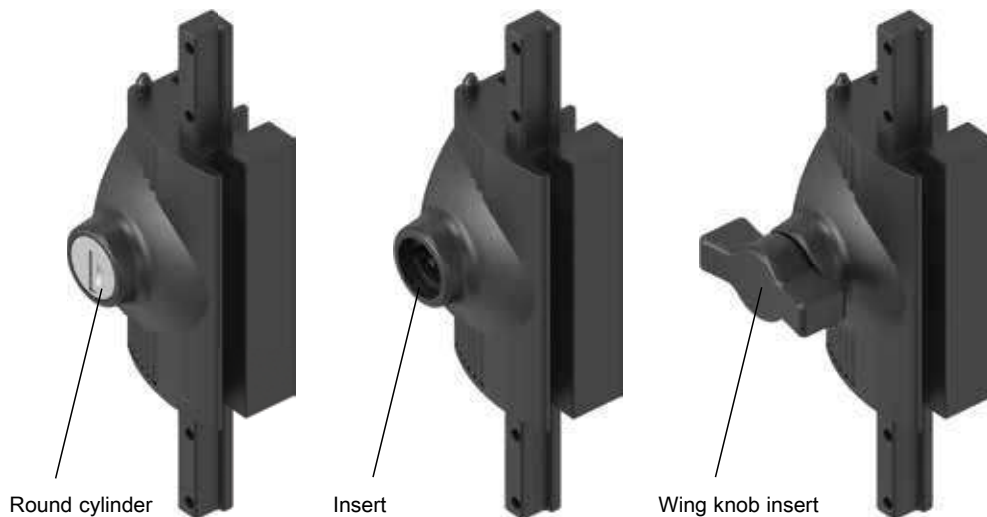
Aluminium window anodized aluminium, corners and hinges zind die black powder-coated, caps polyamide black, shaft stainless steel, screws m.s. zinc-plated, acrylic glass 3 mm, with seal and lock (specify locking type separately)

|  |   |
|--|---|
| Aluminium window assembled, with acrylic glass   | 1210-U ..... - .....<br>(see order example) |
| Aluminium window unassembled as a kit, without acrylic glass, ready made with assembly instruction<br>(Calculation of the 3 mm acrylic glass:<br>H minus 65 mm or W minus 65 mm) | 1210-X ..... - .....<br>(see order example) |



# Aluminium window: Lock 1215

PROGRAM 1210 EMKA PROflex



Round cylinder

Insert

Wing knob insert

**Conversion notice:**

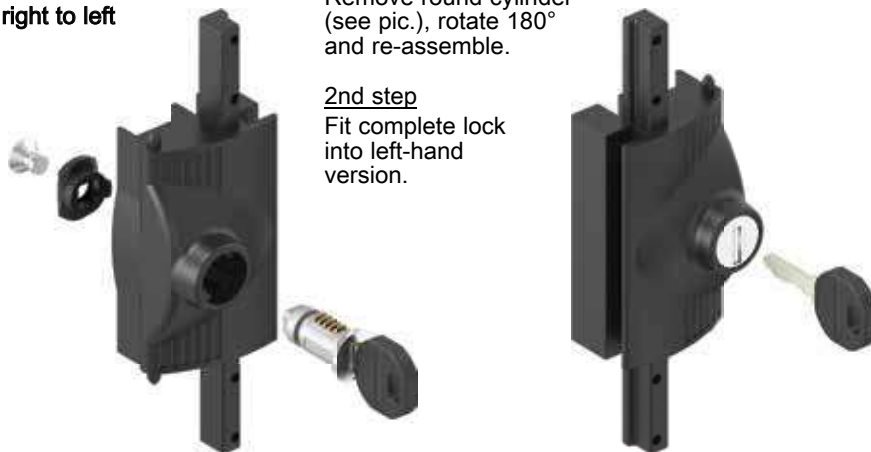
from right to left

1st step

Remove round cylinder (see pic.), rotate 180° and re-assemble.

2nd step

Fit complete lock into left-hand version.



Right-hand version

Left-hand version

**Ordering note:**

Please only order ONE kind of lock:  
The number of locks (1-3) depends on the size of the window!



The locks are designed for a right-hinged aluminium window!

Left-hinged version of lock with round cylinder see conversion note!

Lock for aluminium window zinc die black powder-coated, round cylinder with stainless steel cap and dust cap or insert zinc die black powder-coated, cam zinc die raw, catch zinc die black powder-coated, screws m.s. zinc-plated. Each round cylinder has one silver steel key with grip polyamide GF black

|                      |              |
|----------------------|--------------|
| keyed EK 333         | 1215-U1      |
| keyed different      | 1215-U1-V    |
| <b>Inserts</b>       |              |
| Square 6             | 1215-U2-U322 |
| Square 7             | 1215-U2-U323 |
| Square 8             | 1215-U2-U324 |
| Triangular 7         | 1215-U2-U325 |
| Triangular 8         | 1215-U2-U326 |
| Double bit 3         | 1215-U2-U327 |
| Double bit 5         | 1215-U2-U328 |
| Slot 2 x 4           | 1215-U2-U329 |
| Slot 2 x 4 coinproof | 1215-U2-U739 |
| Wing knob insert     | 1215-U2-U78  |

**Note:**  
Please order aluminium window separately!

**Further parts see page**  
– Aluminium windows 7B-120  
– Aluminium window without frame 7B-320  
**Further ordering details see page** 7B-520



Available fully assembled  
or as a kit



Opening angle 180°

**Attention:**  
Please specify locking set separately!  
(see page 7B-220)

**Note:**

For mounting options,  
see page 7B-420.

Polycarbonate glass or safety  
glass on request.

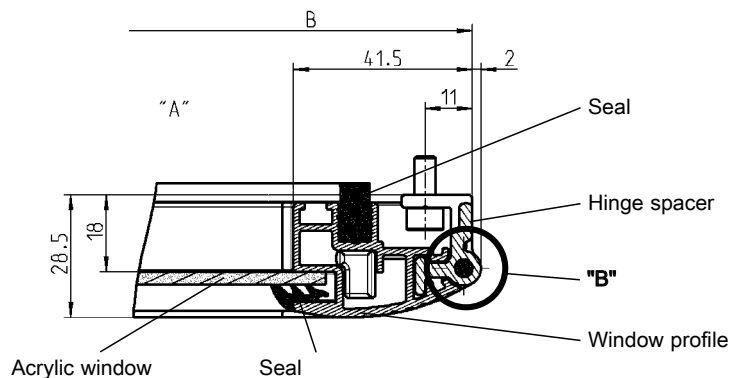
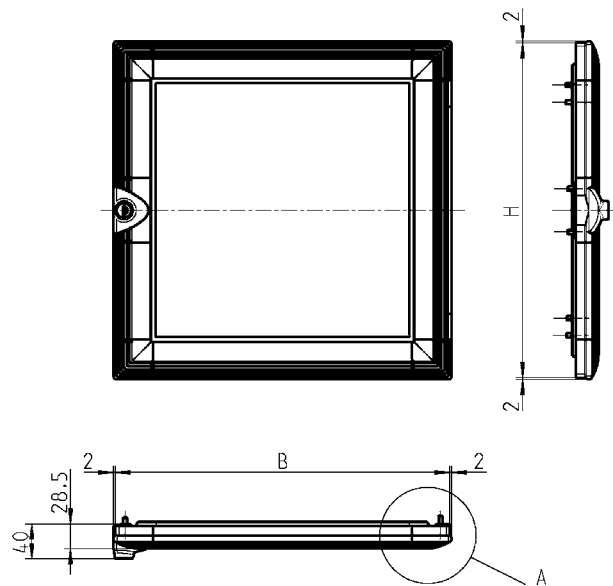
Window sizes for applications  
with safety glass please see table  
on page 7B-520.

External dimensions of the  
window:

Height from 320 to 2000 mm  
Width from 300 to 1000 mm

**Height = Closure or hinge side**

A frame as shown on page  
7B-120 can be retrofitted at any  
time!



**Order example:**

You need a window with dimensions H = 750 mm and W = 520 mm.  
**Attention: Please note that 2 mm protrusion per side must be taken into account at the handle edge (see detail "B")!**

**Please order:**

**Version 1:** Window without frame completely assembled  
1220-U (Height) - (Width) = 1220-U 750-520

**Version 2:** Window unassembled as a kit  
1220-X (Height) - (Width) = 1220-X 750-520

Aluminium window without frame aluminium anodized,  
corners and hinges zind die black powder-coated,  
shaft stainless steel, screws m.s. zinc-plated, acrylic glass 3 mm,  
with seal and lock (specify locking type separately)

Aluminium window assembled, incl. acrylic glass

1220-U ..... - .....  
(see order example)

Aluminium window as a kit without acrylic glass,  
ready made with assembly instruction  
(Calculation of the 3 mm acrylic glass:  
H minus 65 mm or W minus 65 mm).

1220-X ..... - .....  
(see order example)

**Further parts see page**  
– Lock 7B-220

**Dimensions for mounting**  
see page 7B-420

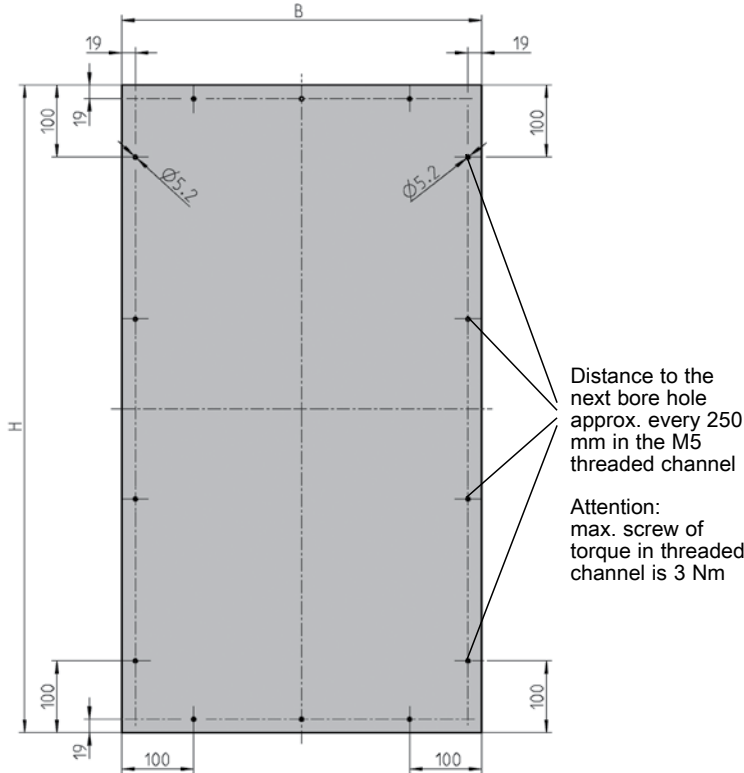
**Further ordering details**  
see page 7B-520

# Fixing details for window 1210 and 1220

## PROGRAM 1210 EMKA PROFlex

Fixing recommendation for window 1210: Mounting from rear

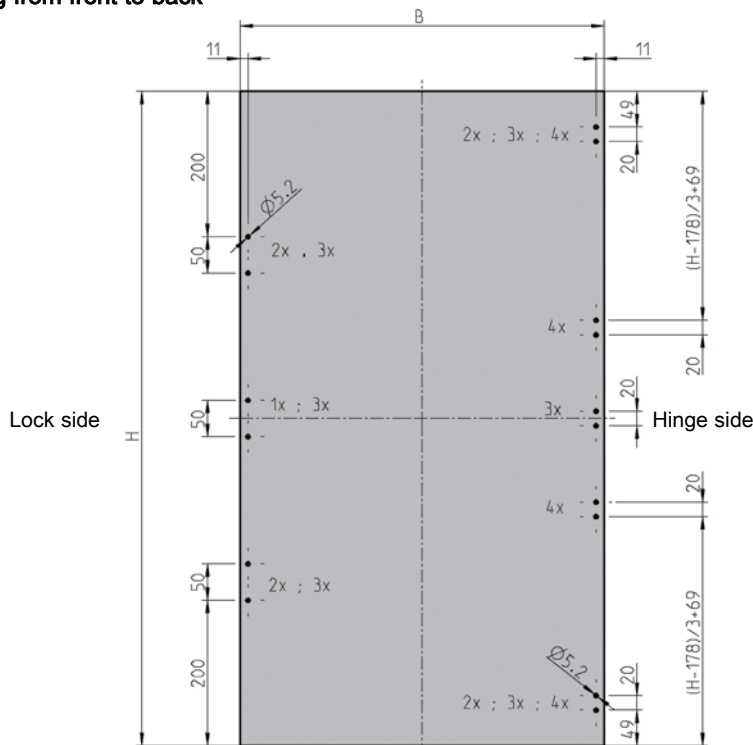
More fixing points depending on size of window and according to client requests.



Fixing points window rear side

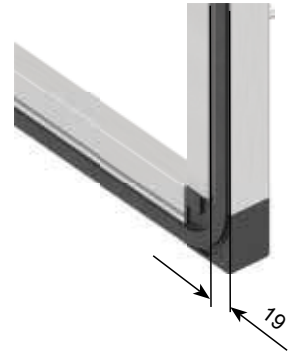
### Fixing details for window 1220:

Mounting from front to back



Fixing points window rear side

#### Mounting from rear



See fixing specification

#### Mounting from front



Fixing according to customer's choice

#### Note:

Fixing point specifications 2x, 3x, 4x refer to the number of hinges and locks.

#### Further parts see page

- Aluminium windows 7B-120
- Aluminium window without frame 7B-320

- Info
- 1 Quarter turns
- 2 Rod controls
- 3 Locking systems
- 4 Hinges
- 5 Seals
- 6 Handles
- 7 Aluminium windows
- 8 Miscellaneous
- 9 Special catalogues
- Index

Info

1 Quarter turns

2 Rod controls

3 Locking systems

4 Hinges

5 Seals

6 Handles

7 Aluminium windows

8 Miscellaneous

9 Special catalogues

Index



Order example:

You need a fully assembled window with the dimensions H = 750 mm and W = 520 mm as well as the lock type "insert double bit 3 mm".

Please order:

One aluminium window 1210-U (height) - (width) = 1210-U 750-520 + 1215-U2-U327

Number of locks and hinges:

The number is determined by the selected dimensions. To determine the number please round the dimensions up to the nearest hundred mm value. The table shown indicates the corresponding quantities.

The same system is used in the price list.

Explanations for the specification of locks and hinges

Example aluminium window:

Part number 1210-U 750-520 => 800-600 => 1 lock and 2 hinges

Example aluminium window without frame:

Part number 1220-U 750-520 => 800-600 => 1 lock and 2 hinges

Note:

**Aluminium window 1210**

On request, assembly is carried out with gas springs.

The framed articles are available with safety glass.

| Height in mm \ Width in mm | 300 →400 | →500 | →600 | →700 | ... |
|----------------------------|----------|------|------|------|-----|
| 320 →400                   | 1/2      | 1/2  | 1/2  | 1/2  | ... |
| →500                       | 1/2      | 1/2  | 1/2  | 1/2  | ... |
| →600                       | 1/2      | 1/2  | 1/2  | 1/2  | ... |
| →700                       | 1/2      | 1/2  | 1/2  | 1/2  | ... |
| →800                       | 1/2      | 1/2  | 1/2  | 1/2  | ... |
| ...                        | ...      | ...  | ...  | ...  | ... |

Number of locks

Number of hinges

| Height in mm \ Width in mm | 300 →400 | →500 | →600 | →700 | →800 | →900 | →1000 |
|----------------------------|----------|------|------|------|------|------|-------|
| 320 →400                   | 1/2      | 1/2  | 1/2  | 1/2  | req. | req. | req.  |
| →500                       | 1/2      | 1/2  | 1/2  | 1/2  | req. | req. | req.  |
| →600                       | 1/2      | 1/2  | 1/2  | 1/2  | req. | req. | req.  |
| →700                       | 1/2      | 1/2  | 1/2  | 1/2  | 1/2  | req. | req.  |
| →800                       | 1/2      | 1/2  | 1/2  | 1/2  | 1/2  | req. | req.  |
| →900                       | 2/3      | 2/3  | 2/3  | 2/3  | 2/3  | 2/3  | req.  |
| →1000                      | 2/3      | 2/3  | 2/3  | 2/3  | 2/3  | 2/3  | 2/3   |
| →1100                      | 2/3      | 2/3  | 2/3  | 2/3  | 2/3  | 2/3  | 2/3   |
| →1200                      | 2/3      | 2/3  | 2/3  | 2/3  | 2/3  | 2/3  | 2/3   |
| →1300                      | 2/3      | 2/3  | 2/3  | 2/3  | 2/3  | 2/3  | 2/3   |
| →1400                      | 2/3      | 2/3  | 2/3  | 2/3  | 2/3  | 2/3  | 2/3   |
| →1500                      | 3/4      | 3/4  | 3/4  | 3/4  | 3/4  | 3/4  | 3/4   |
| →1600                      | 3/4      | 3/4  | 3/4  | 3/4  | 3/4  | 3/4  | 3/4   |
| →1700                      | 3/4      | 3/4  | 3/4  | 3/4  | 3/4  | 3/4  | 3/4   |
| →1800                      | 3/4      | 3/4  | 3/4  | 3/4  | 3/4  | 3/4  | 3/4   |
| →1900                      | 3/4      | 3/4  | 3/4  | 3/4  | 3/4  | 3/4  | 3/4   |
| →2000                      | 3/4      | 3/4  | 3/4  | 3/4  | 3/4  | 3/4  | 3/4   |

Further parts see page

- Aluminium windows 7B-120

- Lock 7B-220

- Aluminium window without frame 7B-320

req. = on request

# Complete door Program 1300



Info

1 Quarter turns

2 Rod controls

3 Locking systems

4 Hinges

5 Seals

6 Handles

7 Aluminium windows

8 Miscellaneous

9 Special catalogues

Index



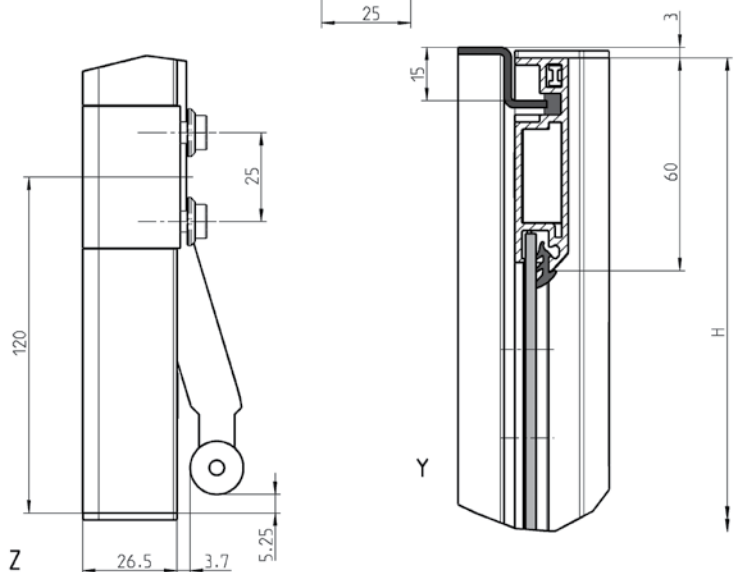
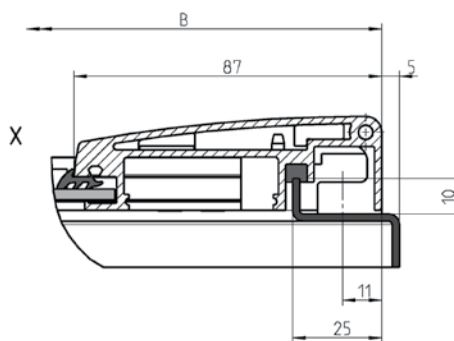
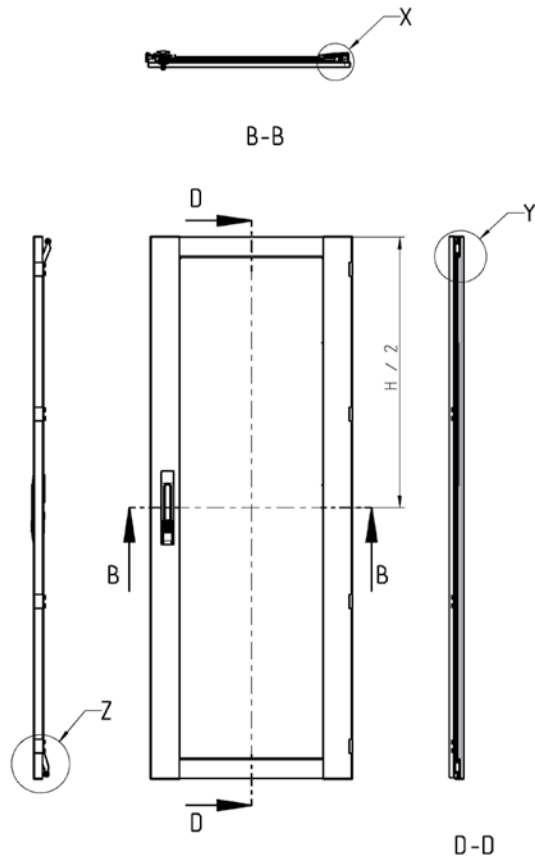
External dimensions of the complete door:  
Height from 400 to 2000  
Width from 400 to 1000

Opening angle 180°  
for single cabinets.

Opening angle < 120°  
for in-line cabinets.

**Further parts see page**  
– Locking set

3XA-120  
3XA-240

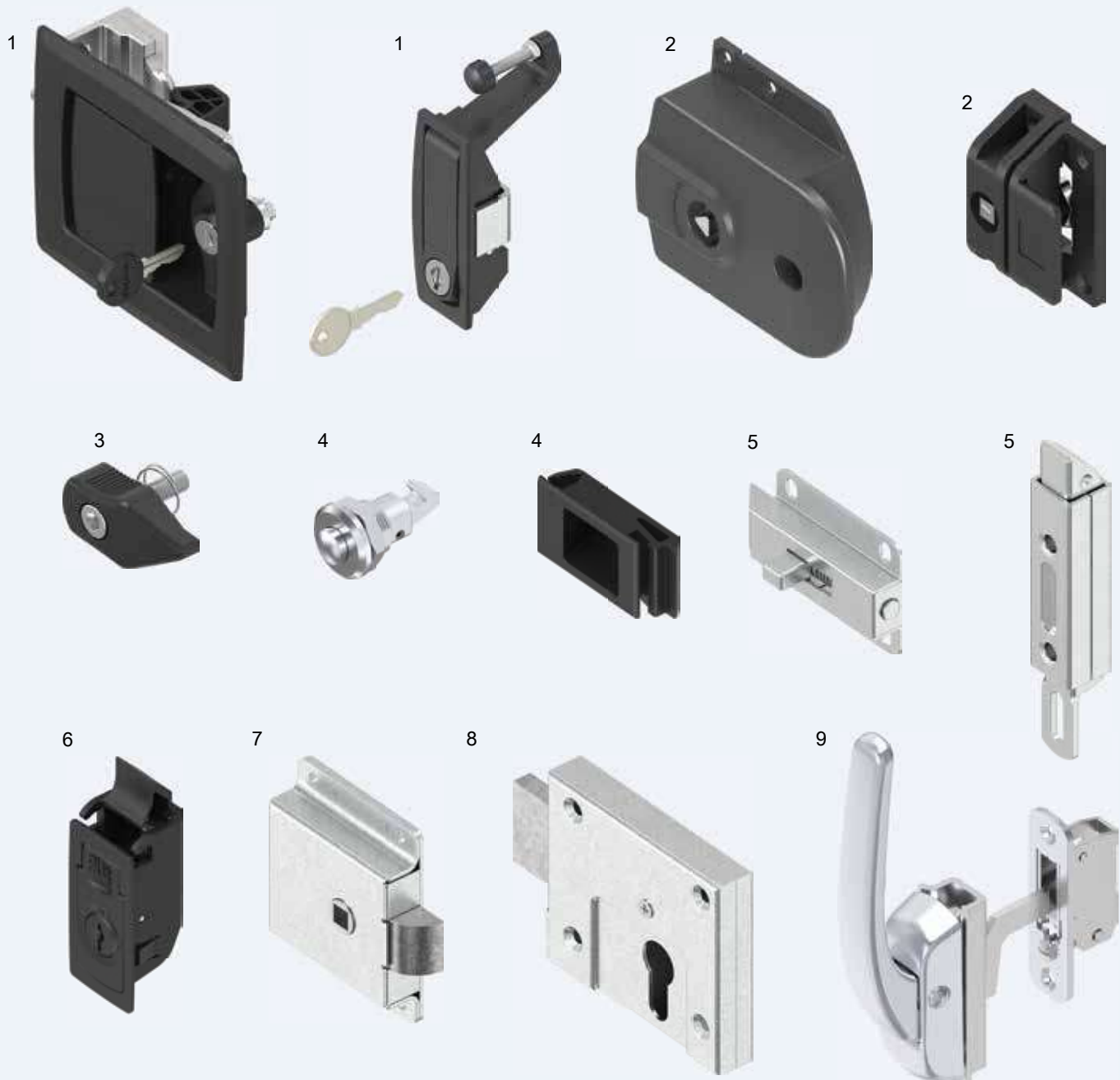


**Complete door anodized aluminium, acrylic glass, swinghandle 1180 polyamide black, hinge and corner bracket zinc die black powder-coated, cam and rods m.s. zinc-plated, with seal**

1300-U1-BxH

# Locks / Latches

Chest handle, Dead-bolt lock, Slam-lock, Snap lock, Bridge clamp, Heavy duty latch

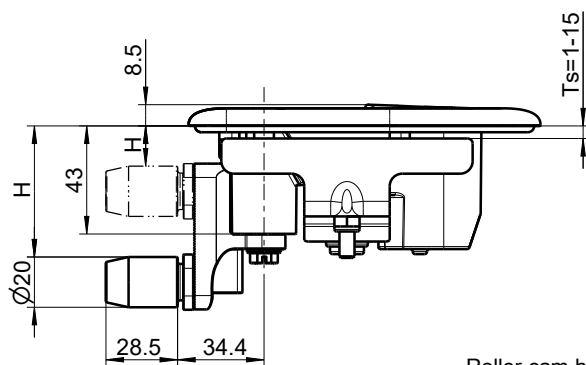


- |   |                  |                  |
|---|------------------|------------------|
| 1 | Chest handle     | 8A-110 to 8A-160 |
| 2 | Door lock        | 8A-220 to 8A-240 |
| 3 | Bridge clamp     | 8A-620           |
| 4 | Snap lock        | 8A-240, 8A-420   |
| 5 | Slam-lock        | 8A-320, 8A-340   |
| 6 | Side panel latch | 8A-440           |
| 7 | Slam-lock        | 8A-320           |
| 8 | Dead-bolt lock   | 8A-520           |
| 9 | Heavy duty latch | 8A-820 to 8A-860 |

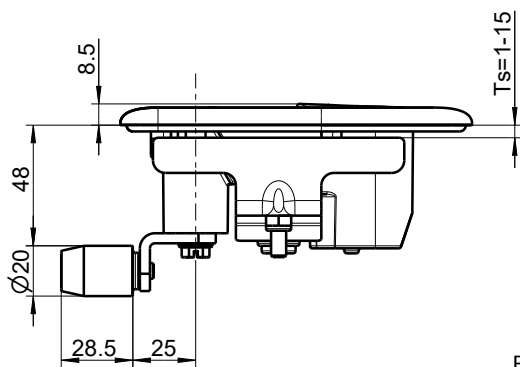
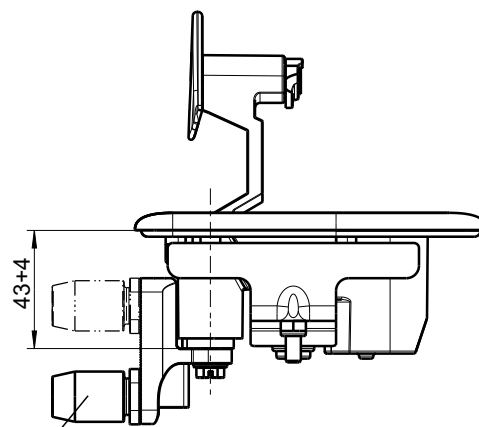
**8A-100**

# Chest handle

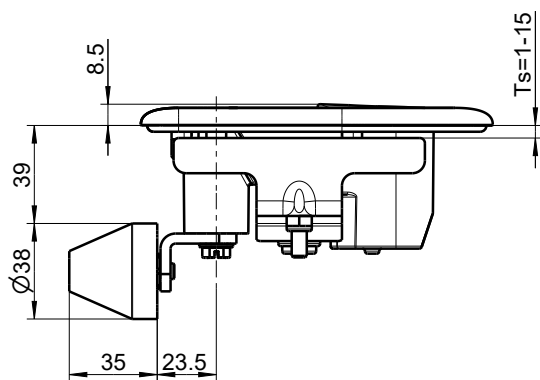
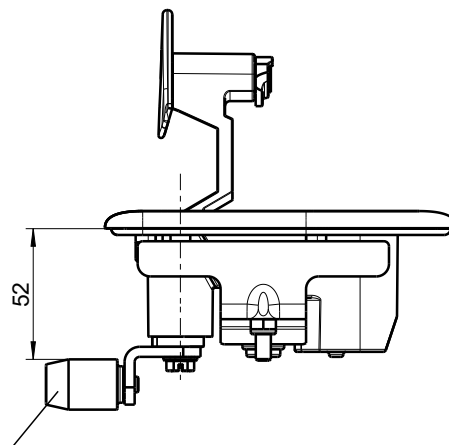
## PROGRAM 1130



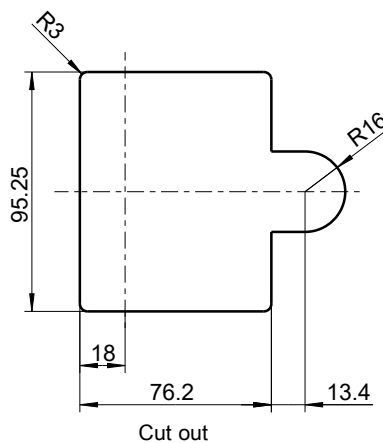
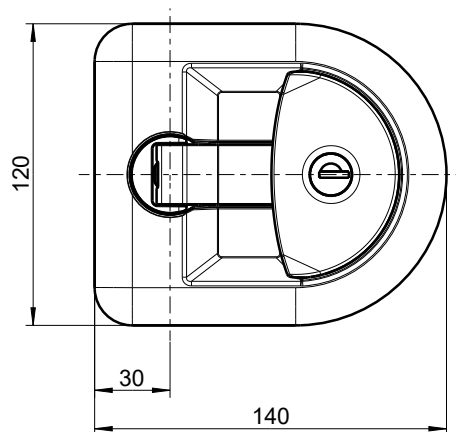
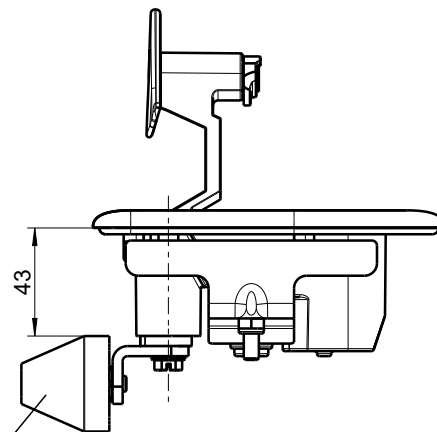
Roller cam height-adjustable



Roller cam small



Roller cam big



Cut out





Handle shell and sliding sleeve polyamide GF black; handle zinc die chrome-plated; hinge pin zinc die zinc-plated; hook polyamide 66 GF 50 black; round cylinder with stainless steel cap and dust protection; holding sheet, pin, screws and nuts m.s. zinc-plated, with spring. Each round cylinder has one silver steel key with grip polyamide GF black

keyed EK 333 1130-U15

keyed different on request

**Roller cam height-adjustable**  
Roller polyamide GF black, cam for roller and spacer zinc die zinc-plated, square nut and screw m.s. zinc-plated

H = 16 - 52 mm 1130-U16

**Further parts see page**  
– Roller cam small and large  
Special catalogue HVACR  
– Spare key 8B-140

Info

1 Quarter turns



2 Rod controls



3 Locking systems



4 Hinges



5 Seals

**Note:**  
The chest handles 1130-U1 and -U2 are made for right-hand version.

Left-hand version is created by removal of the round cylinder, rotating it by 180° and refitting it.

6 Handles

7 Aluminium windows

8 Miscellaneous

**Function:**  
The spring-loaded locking hook is equipped with a 'door-slam' feature. With this, the door can also be closed when locked.

9 Special catalogues

Further parts see page  
– Spare key 8B-140

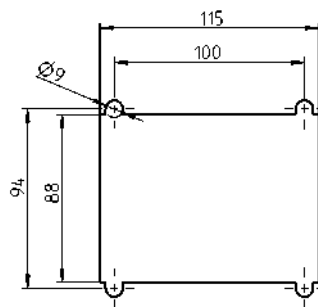
Index

**8A-120** 01/15  
(12A-120; 6A-265)

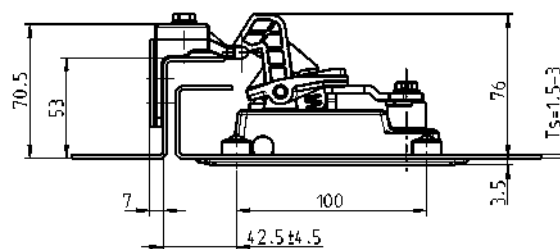
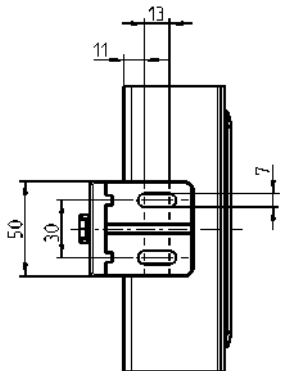
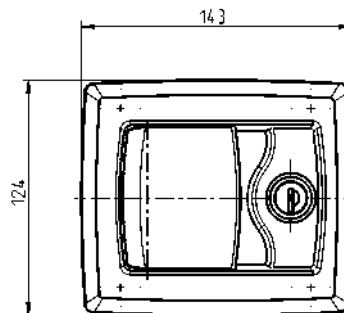


Locking bracket 9 mm adjustable

The minimum door width is 500 mm



Cut out



Chest handle polyamide GF black, rocker lever, locking bracket and locking angle zinc die zinc-plated, round cylinder zinc die with stainless steel cap and dust protection, springs stainless steel, cam and fixing material zinc die zinc-plated, with seal. Each round cylinder has one silver steel key with grip polyamide GF black.

|                 |         |
|-----------------|---------|
| keyed EK 333    | 1130-U1 |
| keyed different | 1130-U2 |

# Chest handle

## PROGRAM 1130



1 Quarter turns

2 Rod controls

3 Locking systems

4 Hinges

5 Seals

6 Handles

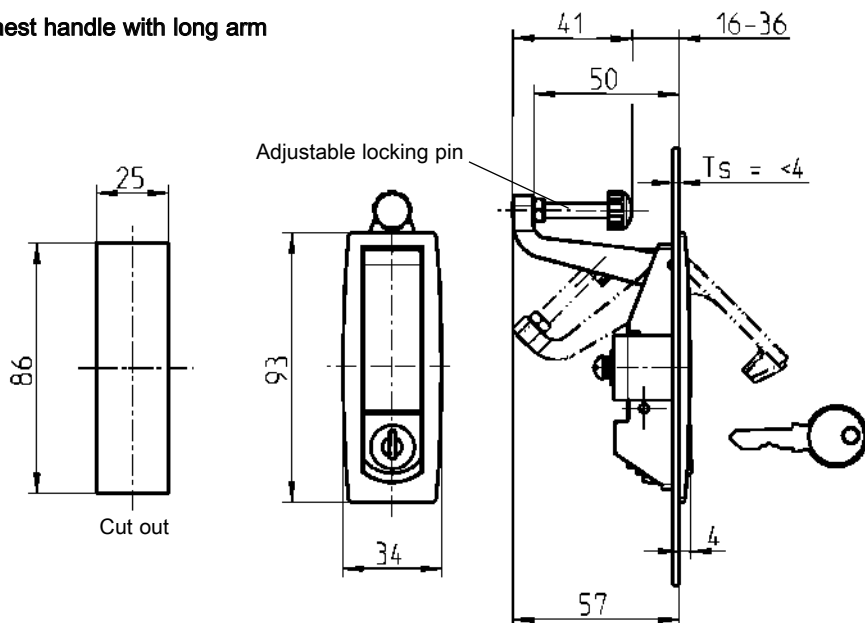
7 Aluminium windows

8 Miscellaneous

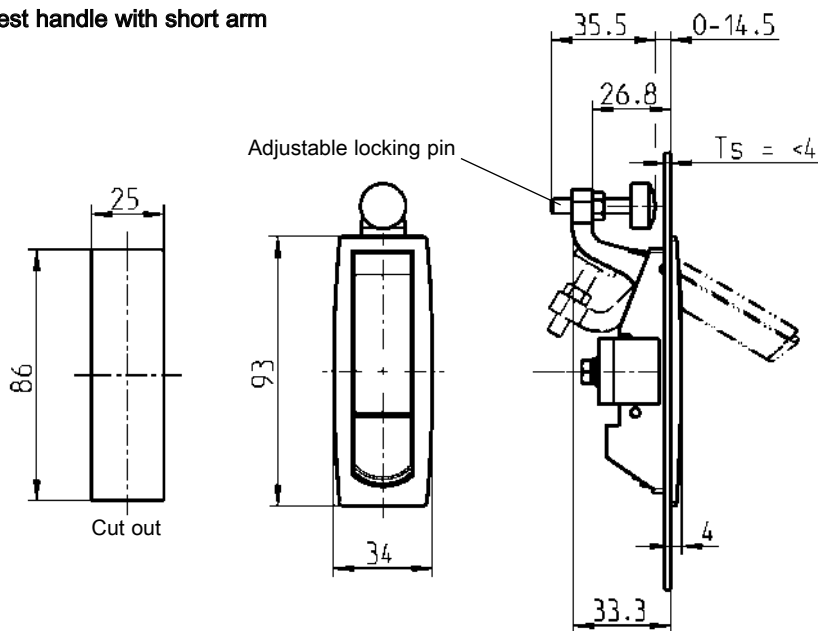
9 Special catalogues

Index

Chest handle with long arm



Chest handle with short arm



Chest handle zinc die black powder-coated, locking pin m.s. zinc-plated / TPE-V, fixing material m.s. zinc-plated. Each round cylinder has one key of m.s. nickel-plated.

**Chest handle with long arm**

|              |            |
|--------------|------------|
| keyed EK 333 | on request |
| blank        | 1130-U9    |

**Chest handle with short arm**

|              |            |
|--------------|------------|
| keyed EK 333 | on request |
| blank        | 1130-U13   |

Further parts see page – Spare key 8B-140

Info

1 Quarter turns



2 Rod controls

3 Locking systems

4 Hinges

5 Seals

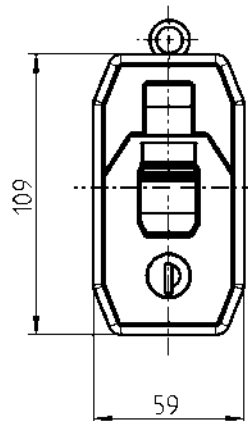
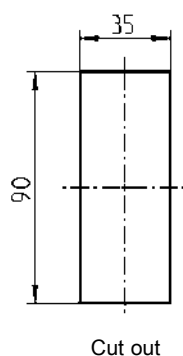
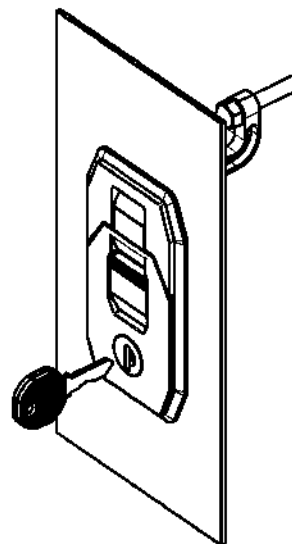
6 Handles

7 Aluminium windows

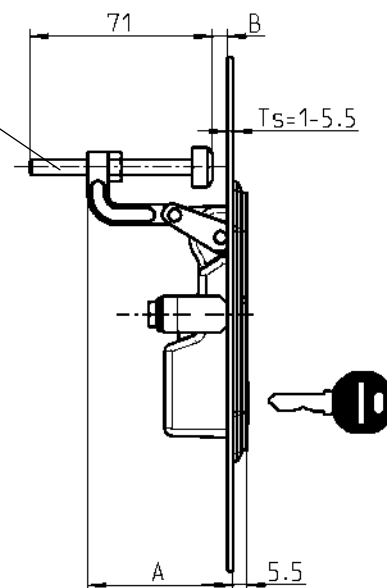
8 Miscellaneous

9 Special catalogues

Index



Adjustable locking pin



Chest handle with other lever arm on request

Further parts see page  
– Spare key

8B-140

Chest handle zinc die black powder-coated,  
locking pin m.s. zinc-plated / TPE-V,  
fixing material m.s. zinc-plated,  
round cylinder with stainless steel cap and dust protection, with seal.  
Each cylinder has one silver steel key with grip polyamide GF black.

A = 57, keyed EK 333

1130-U7

A = 57, keyed different

1130-U7-V

A = 71, keyed EK 333

1130-U7-01

A = 71, keyed different

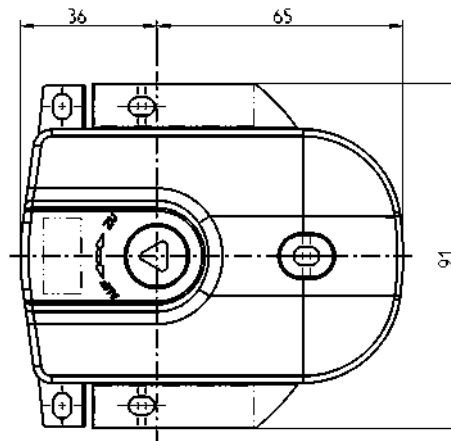
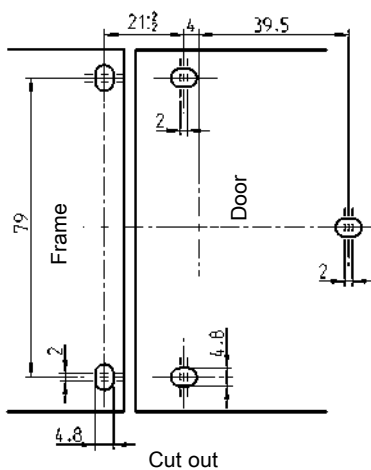
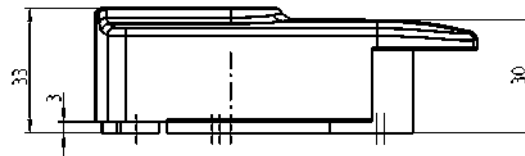
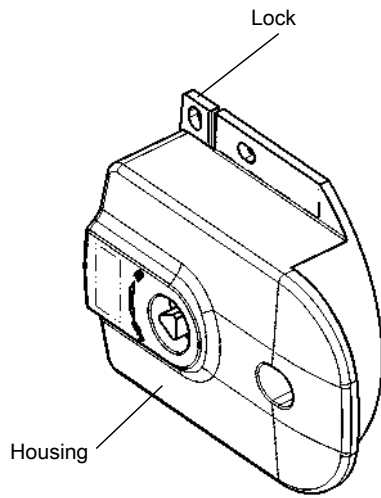
1130-U7-01V

### 8A-170

(12A-170)

# Prominent door lock

## PROGRAM 1000



**Attention:**  
Insert not included in scope of delivery

Suitable lockable or non lockable T-handles and L-handles on request!

**Further parts see page**

– Insert 1B-140  
– Key 8B-120

Housing and lock zinc die black powder-coated, stepped cam zinc die raw

for insert

1000-U778

Info

1 Quarter turns



2 Rod controls

3 Locking systems

4 Hinges

5 Seals

6 Handles

7 Aluminium windows

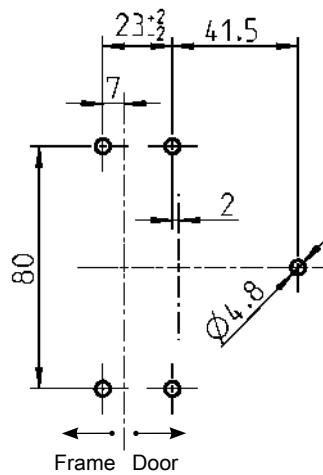
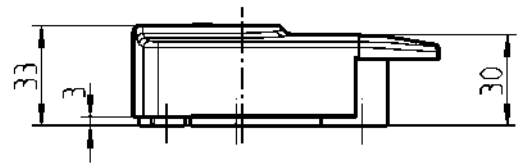
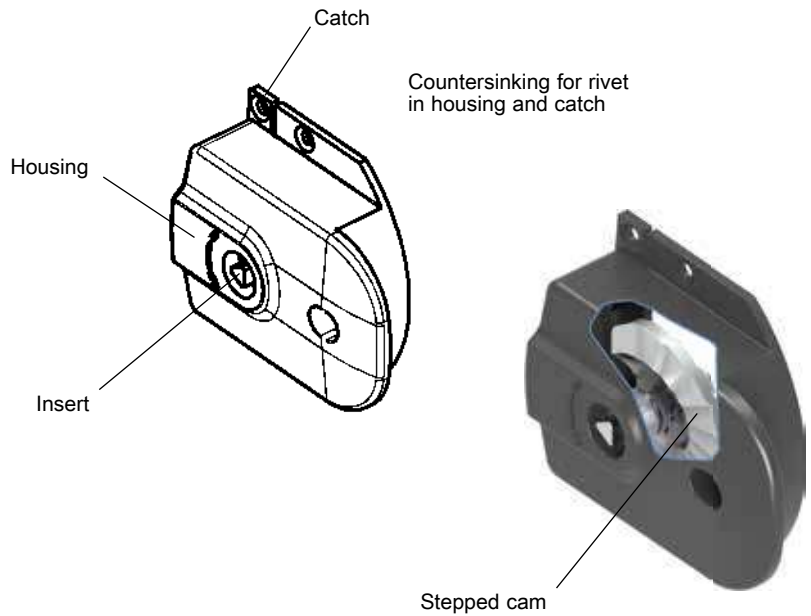
8 Miscellaneous

9 Special catalogues

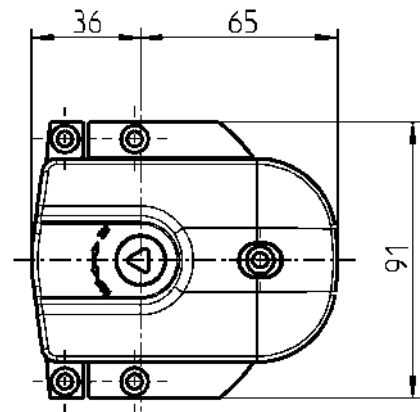
Index



Catch



Cut out



**Attention:**  
Insert not included in scope of delivery

Catch to be ordered separately

**Further parts see page**

– Door lock with inside handle or pressure relief

Special catalogue HVACR

– Insert 1B-140  
– Key 8B-120

**Prominent door lock zinc die black powder-coated, stepped cam zinc die raw**

without insert

1000-U779

**Prominent door lock polyamide 66 GF 50 black, stepped cam zinc die raw**

without insert

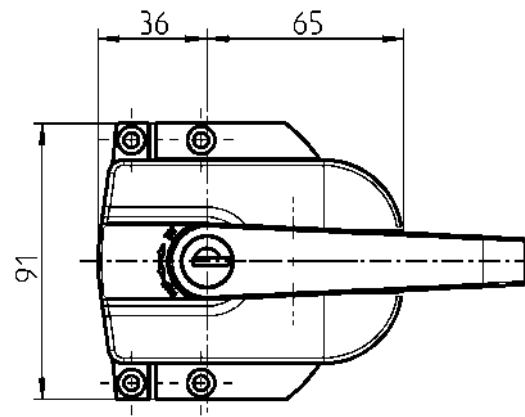
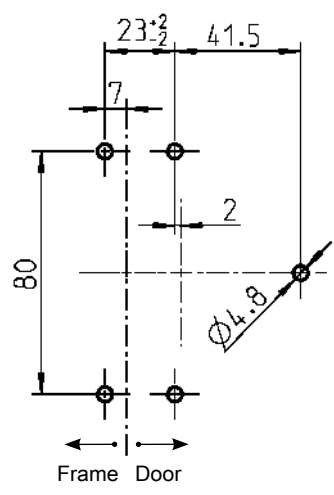
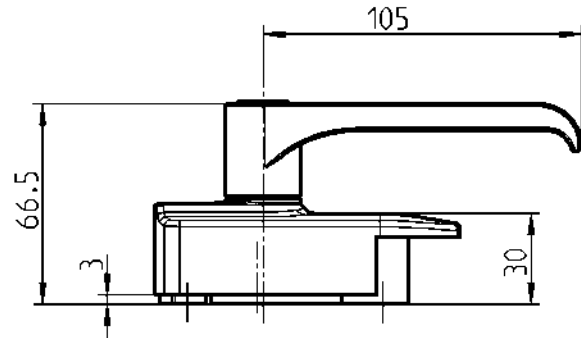
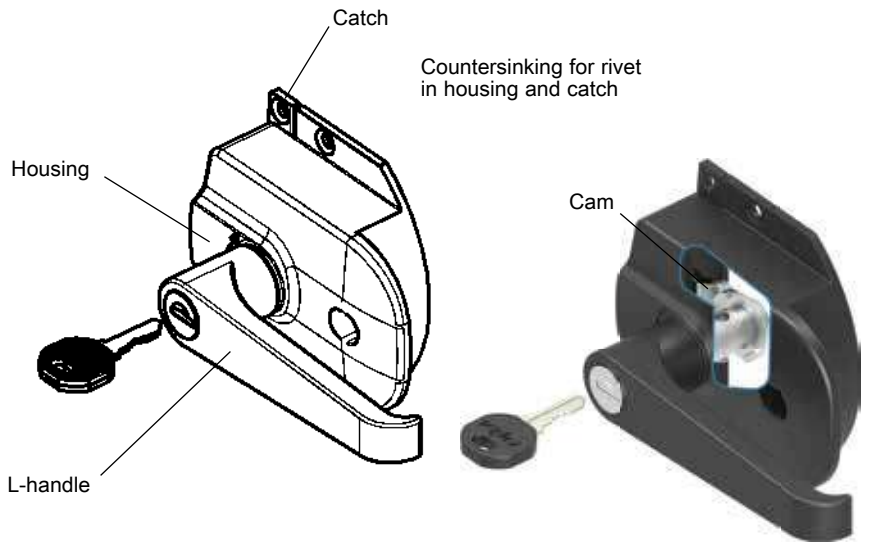
1000-U957

**Catch zinc die black powder-coated**

1000-488-AA

# Prominent door lock

## PROGRAM 1000



Cut out

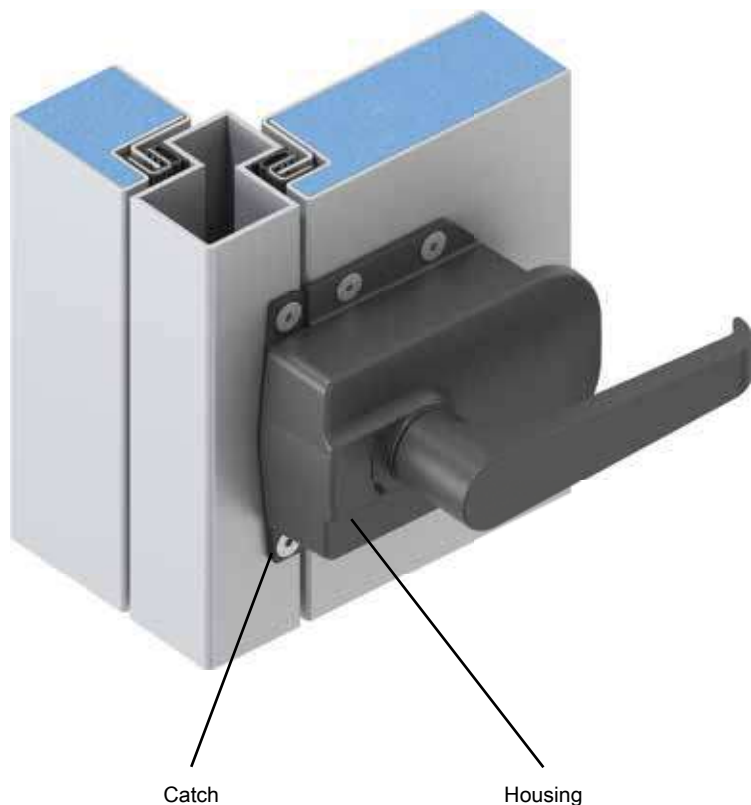
Catch to be ordered separately  
 90° turn for lockable handles  
 Housing and catch with slotted holes on request!

**Further parts see page**  
 – Door lock with inside handle or pressure relief  
 Special catalogue HVACR  
 – Spare key 8B-140

|  |             |
|--|-------------|
| <b>Prominent door lock zinc die black powder-coated, L-handle polyamide GF black, stepped cam zinc die raw, screw m.s. zinc-plated</b>   |             |
| non locking  | 1000-U780   |
| <b>Prominent door lock zinc die black powder-coated, L-handle polyamide GF black, cam and screw m.s. zinc-plated, round cylinder zinc die with stainless steel cap and dust protection. Each round cylinder has one silver steel key with grip polyamide GF black.</b> |             |
| keyed EK 333   | 1000-U781   |
| keyed different  | 1000-U781-V |
| <b>Catch zinc die black powder-coated</b>  |             |
|  | 1000-488-AA |

# Prominent door lock with inside handle

## PROGRAM 1000



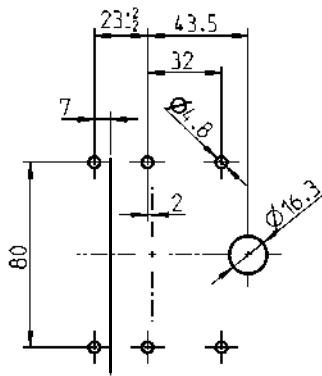
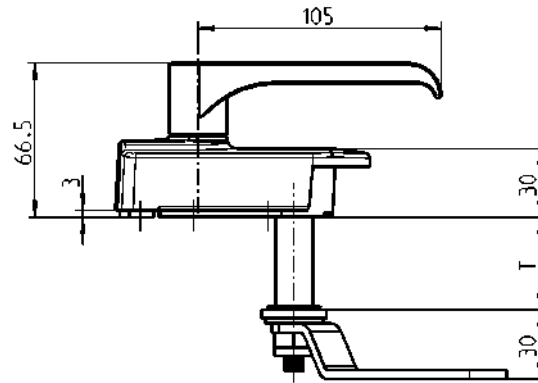
### Product benefits

- New modular locking system especially for use on large doors (>1.6 m door height)
- Various inserts and handle options in combination with different cams possible (stepped cam, pressure relief cam, etc.)
- System for various door thicknesses available (30 mm - 60 mm)
- Also available as version without inside handle
- VDI 6022 / ISO 846 compliant materials



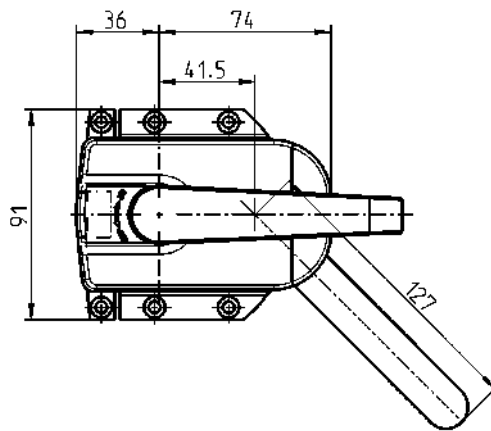


Countersinking for rivet  
in housing and catch



Catch Housing  
Cut out front

Bore hole  $\varnothing$  16.3 continuous



Catch

Prominent door lock with inside handle:  
Housing polyamide 66 GF 50 black,  
L-handle, bezel, bridge and coupling piece polyamide GF black,  
adapter plate POM GF black; gearwheels zinc die zinc-plated,  
square shaft, cam, pin and inside handle m.s. zinc-plated,  
washer, nut m.s. zinc plated, with seal

T = 50 mm 1000-U938

T = 60 mm 1000-U939

other T-dimensions and handles on request

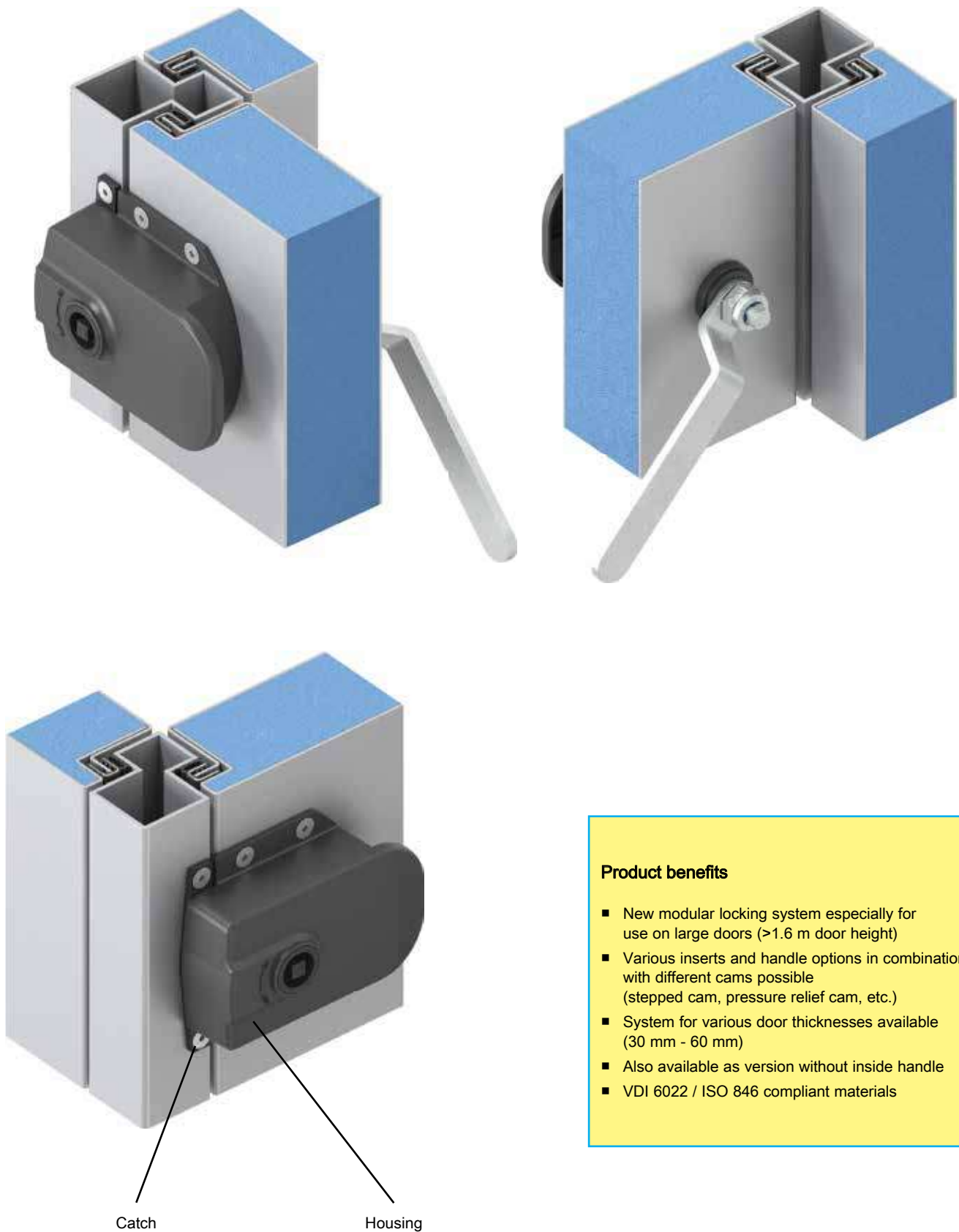
Catch zinc die black powder-coated

1000-488-AA

Catch to be ordered separately  
90° Turn

# Prominent door lock with inside handle

## PROGRAM 1000



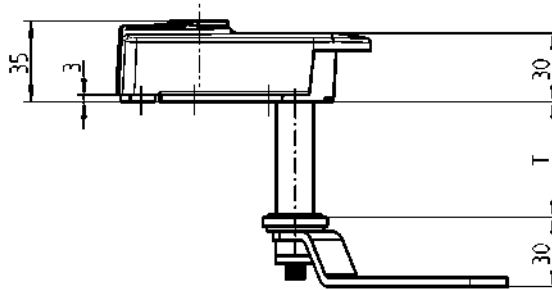
### Product benefits

- New modular locking system especially for use on large doors (>1.6 m door height)
- Various inserts and handle options in combination with different cams possible (stepped cam, pressure relief cam, etc.)
- System for various door thicknesses available (30 mm - 60 mm)
- Also available as version without inside handle
- VDI 6022 / ISO 846 compliant materials

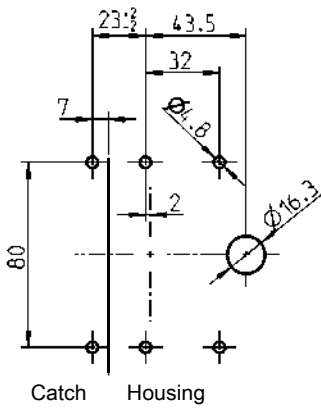


1 Quarter turns

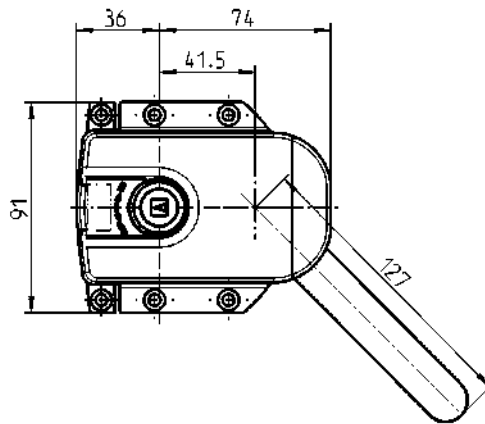
Countersinking for rivet in housing and catch



2 Rod controls



Catch Housing  
Cut out front



Bore hole Ø 16.3 continuous



3 Locking systems

4 Hinges

5 Seals

6 Handles

- Ⓐ = Door lock with stepped cam
- Ⓑ = Door lock with pressure relief cam

7 Aluminium windows

**Prominent door lock with inside handle:**  
 Housing polyamide 66 GF 50 black, bezel, bridge and coupling piece polyamide GF black, adapter plate POM GF black; gearwheels zinc die zinc-plated, insert zinc die black powder-coated,  
 Ⓐ stepped cam zinc die,  
 Ⓑ double cam m.s. zinc-plated, square shaft, pin and inside handle m.s. zinc-plated, washer and nut m.s. zinc-plated, with seal

Ⓐ = Door lock with stepped cam

|                     |           |
|---------------------|-----------|
| Square 7, T = 50 mm | 1000-U943 |
|---------------------|-----------|

|                     |           |
|---------------------|-----------|
| Square 7, T = 60 mm | 1000-U944 |
|---------------------|-----------|

Ⓑ = Door lock with pressure relief cam

|                     |           |
|---------------------|-----------|
| Square 7, T = 50 mm | 1000-U945 |
|---------------------|-----------|

|                     |           |
|---------------------|-----------|
| Square 7, T = 60 mm | 1000-U946 |
|---------------------|-----------|

other T-dimensions and inserts on request

**Catch zinc die black powder-coated**

|  |             |
|--|-------------|
|  | 1000-488-AA |
|--|-------------|



Catch

8 Miscellaneous

9 Special catalogues

Catch to be ordered separately

Info

1 Quarter turns



2 Rod controls

3 Locking systems

4 Hinges



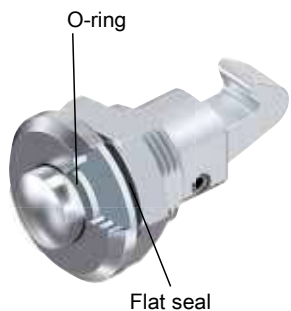
Small head = DIN ISO 2009, 2010, 7046-1, 7046-2, 7047

\* not included in the scope of delivery

Further parts see page 8B-120  
- Key

5 Seals

6 Handles



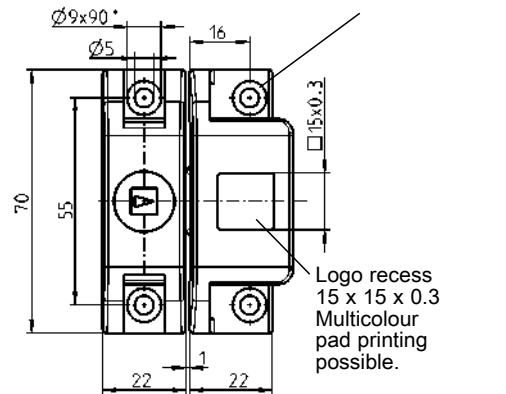
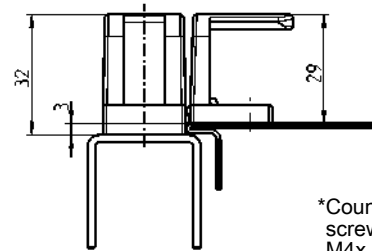
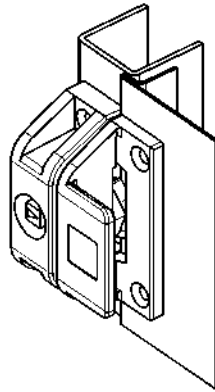
7 Aluminium windows

8 Miscellaneous

9 Special catalogues

Index

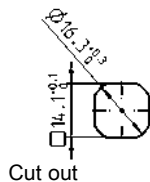
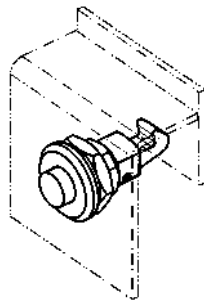
### Cam lock



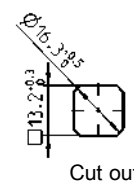
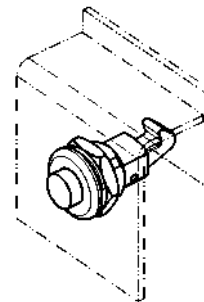
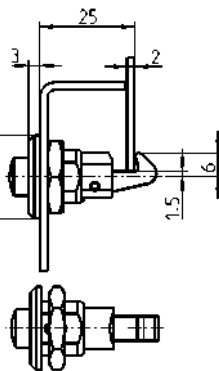
Cam lock polyamide black, insert zinc die chrome-plated cam, screw and spring washer m.s. zinc-plated

|              |         |                      |          |
|--------------|---------|----------------------|----------|
| Square 7     | 1076-U5 | Double bit 3         | 1076-U9  |
| Square 8     | 1076-U6 | Double bit 5         | 1076-U10 |
| Triangular 7 | 1076-U7 | Hexagon female SW 10 | 1076-U11 |
| Triangular 8 | 1076-U8 | Slot 2 x 4           | 1076-U12 |

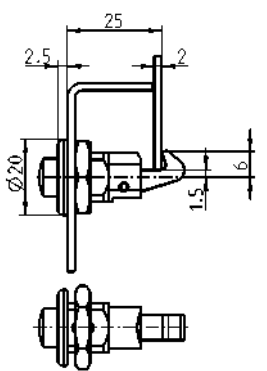
### Snap lock with and without seal



Version A



Version B



Snap lock zinc die chrome-plated, with or without seal

| Version A       |         | Version B       |         |
|-----------------|---------|-----------------|---------|
| without seal    | 1047-U3 | without seal    | 1047-U2 |
| with seal IP 65 | 1047-U5 | with seal IP 65 | 1047-U4 |

with seal IP 65

**8A-240** 06/07  
(12A-240; 1B-360)

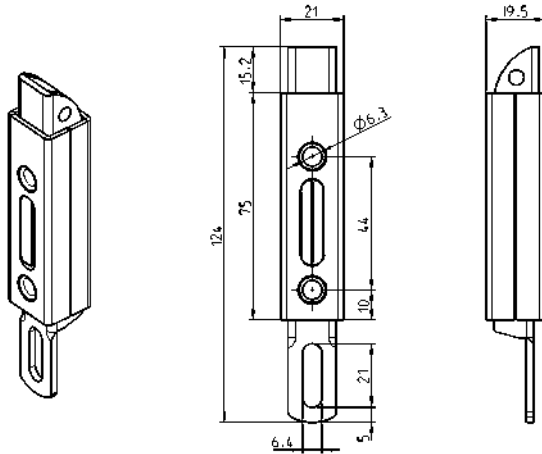
# Slam-lock

## PROGRAM 1034, 1085

Slam-lock



1 Quarter turns



2 Rod controls



3 Locking systems

Rod connection can be bent for hand-operation on request

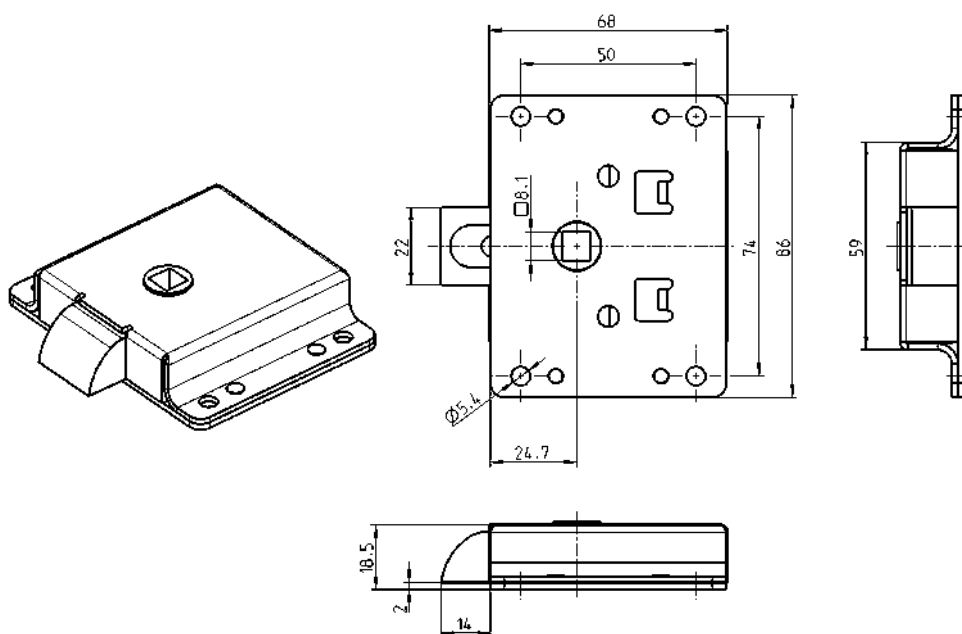
4 Hinges

Slam-lock m.s. zinc-plated

1085-U1

5 Seals

Slam-lock



6 Handles



7 Aluminium windows



8 Miscellaneous

Slam-lock m.s. zinc-plated, lock and nut zinc die raw, compression spring material spring steel

1034-U1

9 Special catalogues

Further parts see page  
– Support and  
insert

1C-360

### Slam-lock PROGRAM 1053

Info

1 Quarter turns



Version A



Version B



2 Rod controls

3 Locking systems

4 Hinges

5 Seals

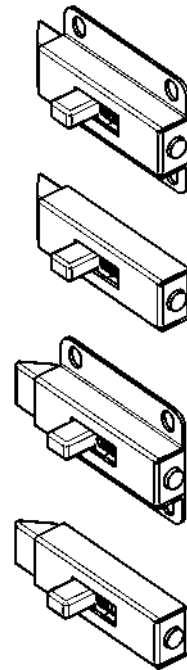
6 Handles

7 Aluminium windows

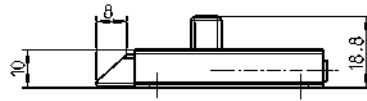
8 Miscellaneous

9 Special catalogues

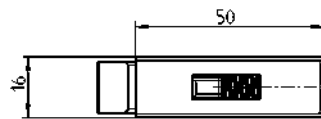
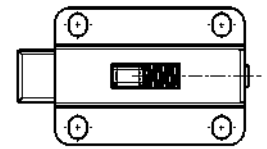
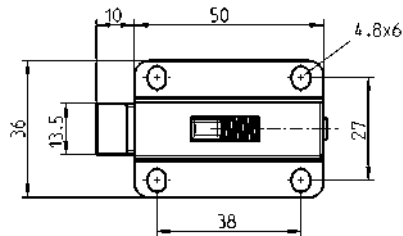
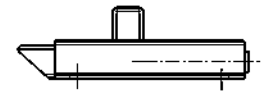
Index



Version A



Version B



Slam-lock m.s. zinc-plated resp. m.s. raw, locking bolt zinc die zinc-plated

|                            | Version A | Version B |
|----------------------------|-----------|-----------|
| screw-on, m.s. zinc-plated | 1053-U1   | 1053-U2   |
| weld-on, m.s. raw          | 1053-U3   | 1053-U4   |

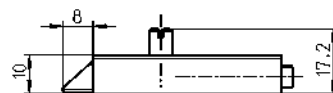
Version A



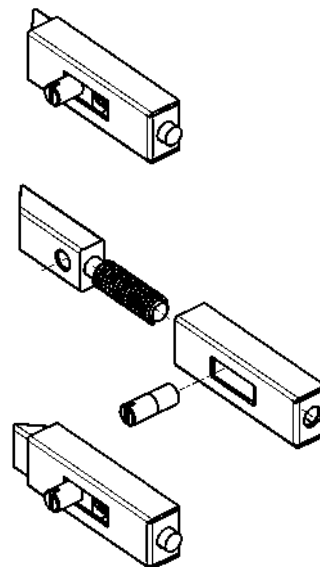
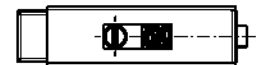
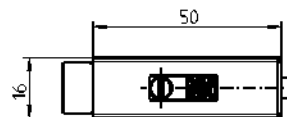
Version B



Version A



Version B



Dismountable for welding on!

Slam-lock m.s. raw, locking bolt zinc die zinc-plated

|         | Version A | Version B |
|---------|-----------|-----------|
| weld-on | 1053-U5   | 1053-U6   |

# Snap lock, clip-in PROGRAM 1091



1 Quarter turns

2 Rod controls

3 Locking systems

4 Hinges

5 Seals

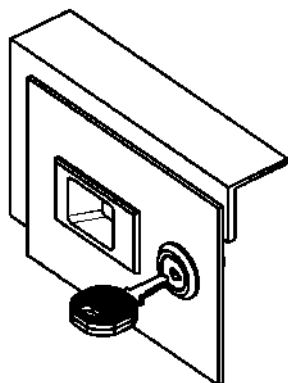
6 Handles

7 Aluminium windows

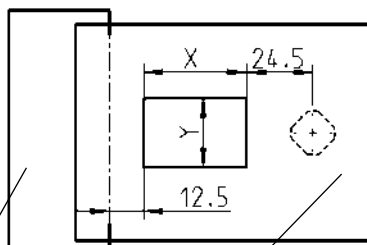
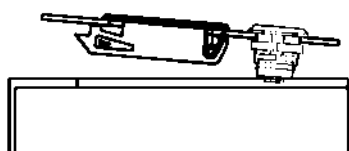
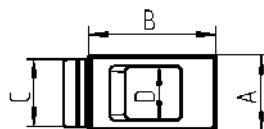
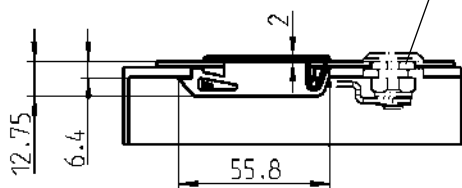
8 Miscellaneous

9 Special catalogues

Index



Lockable e.g. with small quarter turns of Program 1022



Frame

Door



### Snap lock polyamide black with spring m.s. zinc-plated

| Size | Ts = 1.2 - 1.6 |    |    |      | Ts = 1.75 - 2.2 |    |      |
|------|----------------|----|----|------|-----------------|----|------|
| 1    | 1091-U114-01   |    |    |      | 1091-U114       |    |      |
| 2    | 1091-U115-01   |    |    |      | 1091-U115       |    |      |
| 3    | on request     |    |    |      | 1091-U116       |    |      |
| Dim. | A              | B  | C  | D    | Door cut out    | X  | Y    |
| 1    | 28             | 47 | 25 | 20   | 1               | 38 | 25.5 |
| 2    | 47             | 47 | 44 | 39.5 | 2               | 38 | 44.5 |
| 3    | 86             | 47 | 83 | 78.5 | 3               | 38 | 83.5 |

Suitable for door thicknesses from 1.2 to 2.2 mm

Further parts see page  
– Quarter turn 1A-120 to 1A-160

Info

1 Quarter turns



2 Rod controls



3 Locking systems



4 Hinges



5 Seals

6 Handles

7 Aluminium windows

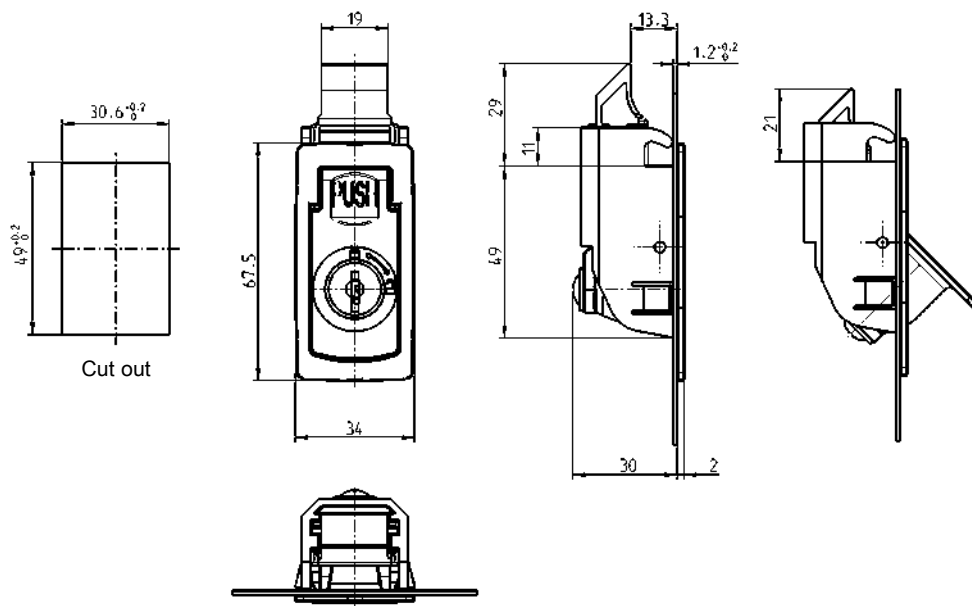
8 Miscellaneous

9 Special catalogues

Index



Open condition



Further parts see page  
– Spare key

8B-140

Side panel latch polyamide GF black, screw m.s. zinc-plated  
Each round cylinder has one silver steel key with grip polyamide GF black.  
Key removable in both positions

keyed EK 333

1091-U143

keyed different

1091-U143-01V

blank

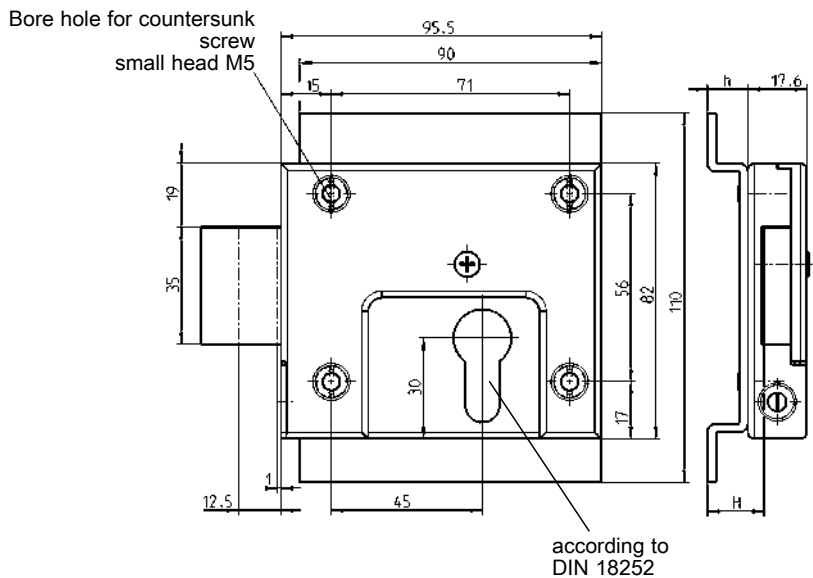
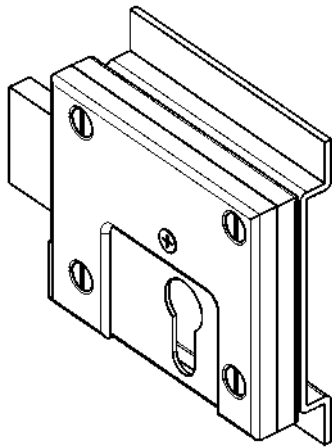
1091-U143-02



# Dead-bolt lock

## PROGRAM 1080

Dead-bolt lock



Dead-bolt lock for LH and RH version

Small head = DIN ISO 2009, 2010, 7046-1, 7046-2, 7047

Dead-bolt lock m.s. zinc-plated

1080-U1

Lock support m.s. raw

| H    | h  | Profile cylinder length |            |
|------|----|-------------------------|------------|
| 16.5 | 12 | 40                      | on request |
| 26.5 | 22 | 50                      | on request |

Further parts see page  
– Profile half cylinder 2B-220

Info

1 Quarter turns

2 Rod controls

3 Locking systems

4 Hinges

5 Seals

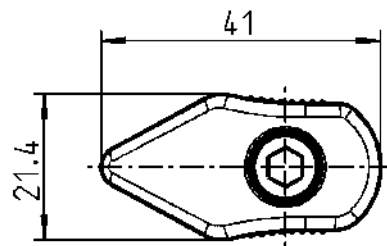
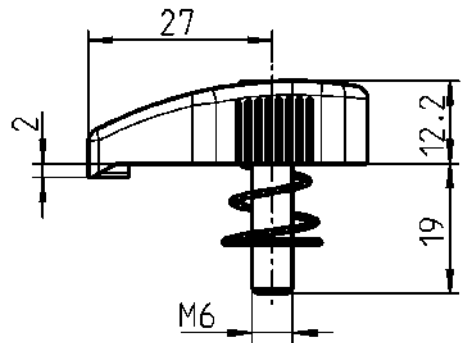
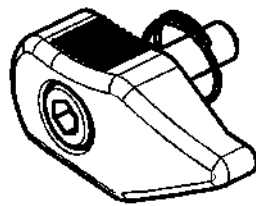
6 Handles

7 Aluminium windows

8 Miscellaneous

9 Special catalogues

Index



Bridge clamp polyamide black;  
cylinder screw m.s. zinc-plated;  
with spring

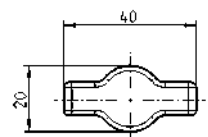
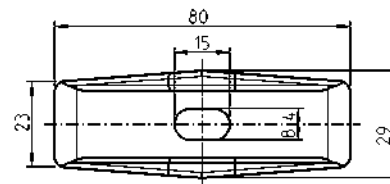
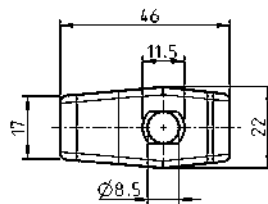
1076-U13

Version A

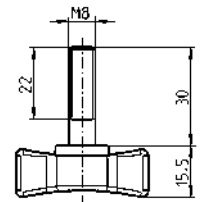
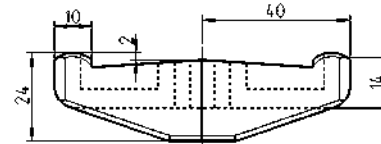
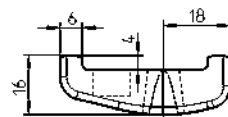


Version A

Version B



Version B



Bridge clamp polyamide GF black

Version A

Version B

1076-19

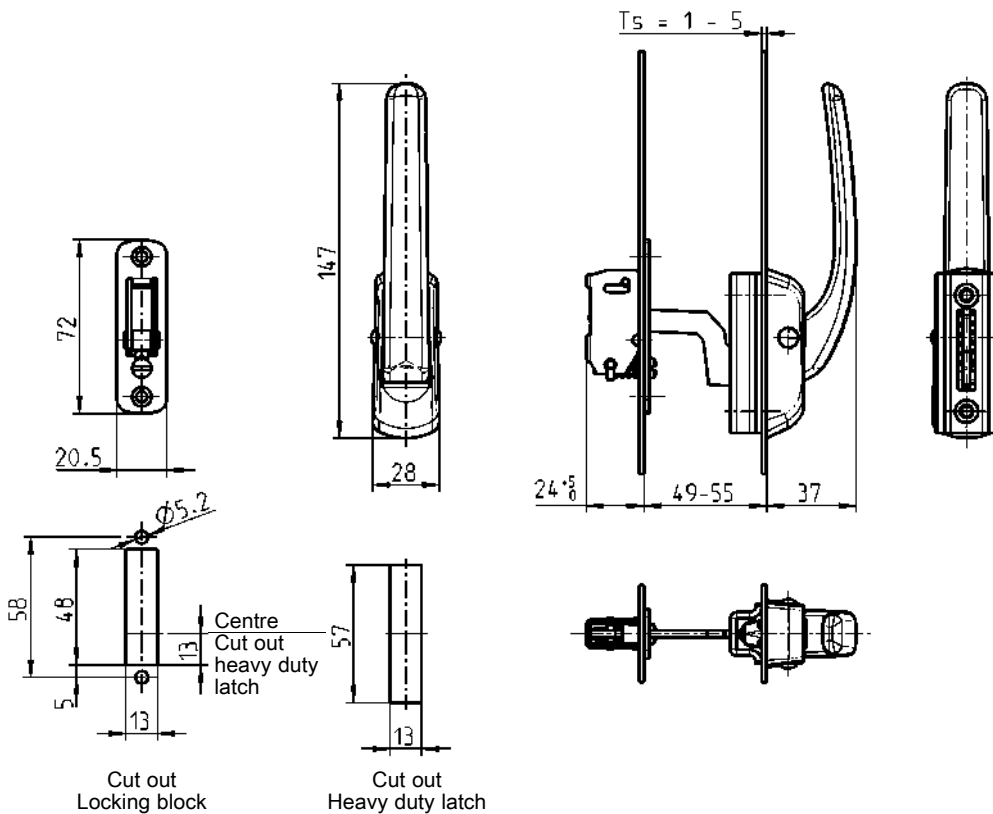
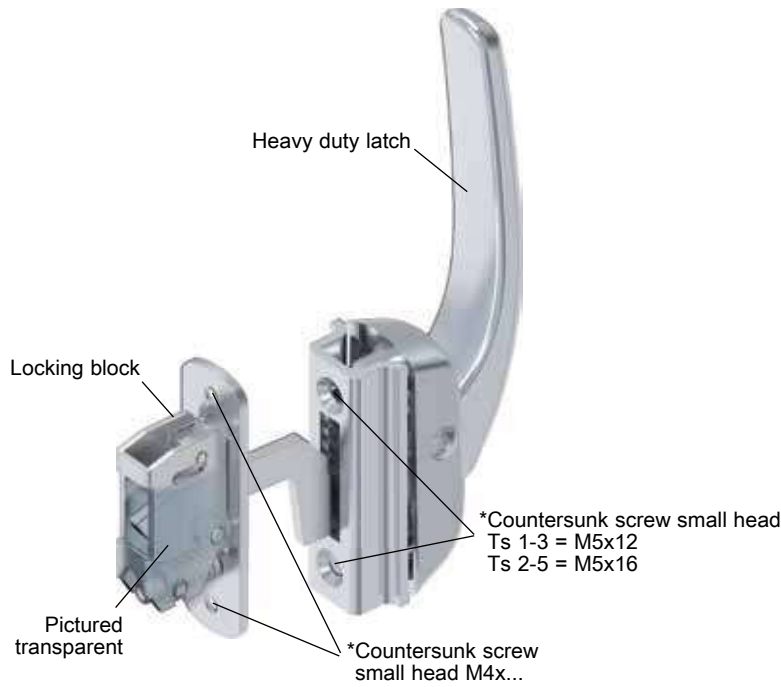
1076-20

Tommy screw m.s. zinc-plated; wing knob polyamide GF black

1076-15

# Heavy duty latch with adjustable locking block

## PROGRAM 2074



\* not included in the scope of delivery

Small head = DIN ISO 2009, 2010, 7046-1, 7046-2, 7047

Heavy duty latch zinc die chrome-plated,  
cam AISI 304 chrome-plated,  
fastening bracket and spring setting AISI 304, with spring

2074-U372-137IK

Locking block AISI 304 chrome-plated,  
U-frame and adjusting screw AISI 304,  
roller and set screw AISI 303, with spring

2074-U372-156IK

Info  
1 Quarter turns  
2 Rod controls  
3 Locking systems  
4 Hinges  
5 Seals  
6 Handles  
7 Aluminium windows  
8 Miscellaneous  
9 Special catalogues  
Index



**Application:**  
The lock can be mounted on refrigerators, for example.

Version A

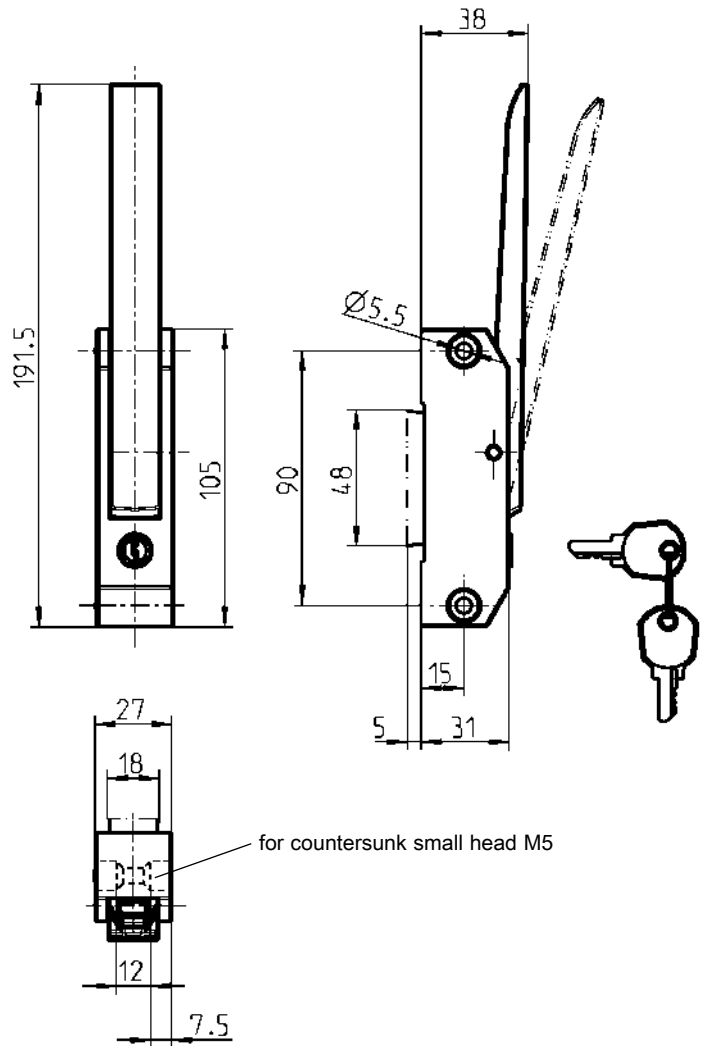
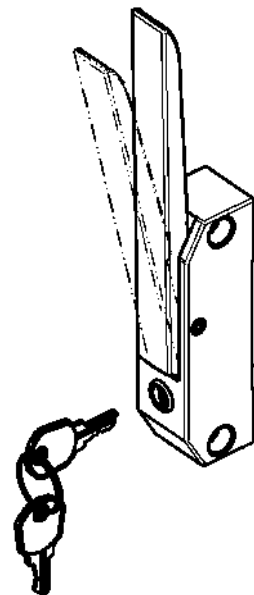


Version B

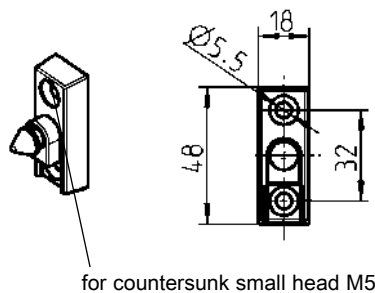


Small head = DIN ISO 2009, 2010, 7046-1, 7046-2, 7047

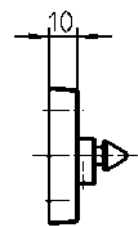
### Lock



### Clamps base with adjustable clamp

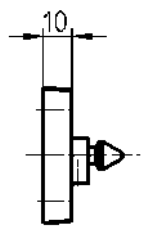


Version A



The door cannot be pushed open from inside.

Version B



The door can be pushed open from inside, if the round cylinder is not closed. (chamfered clamp)

**Lock zinc die gloss chrome-plated, clamp and other components m.s. zinc-plated thick-film passivated plus top coat sealed, two plugs polyethylen grey, with spring. Each round cylinder has two silver steel nickel plated keys at a ring.**

|                 |              |
|-----------------|--------------|
| non locking     | 2074-U130-IK |
| keyed different | 2074-U132-IK |
| keyed alike     | on request   |

**Clamp stainless steel, clamp base zinc die chrome-plated, threaded stud m.s. zinc-plated**

|           |              |
|-----------|--------------|
| Version A | 2074-U111-IA |
| Version B | 2074-U113-IA |

# Heavy duty latch

## PROGRAM 1091



1 Quarter turns

2 Rod controls

3 Locking systems

4 Hinges

5 Seals

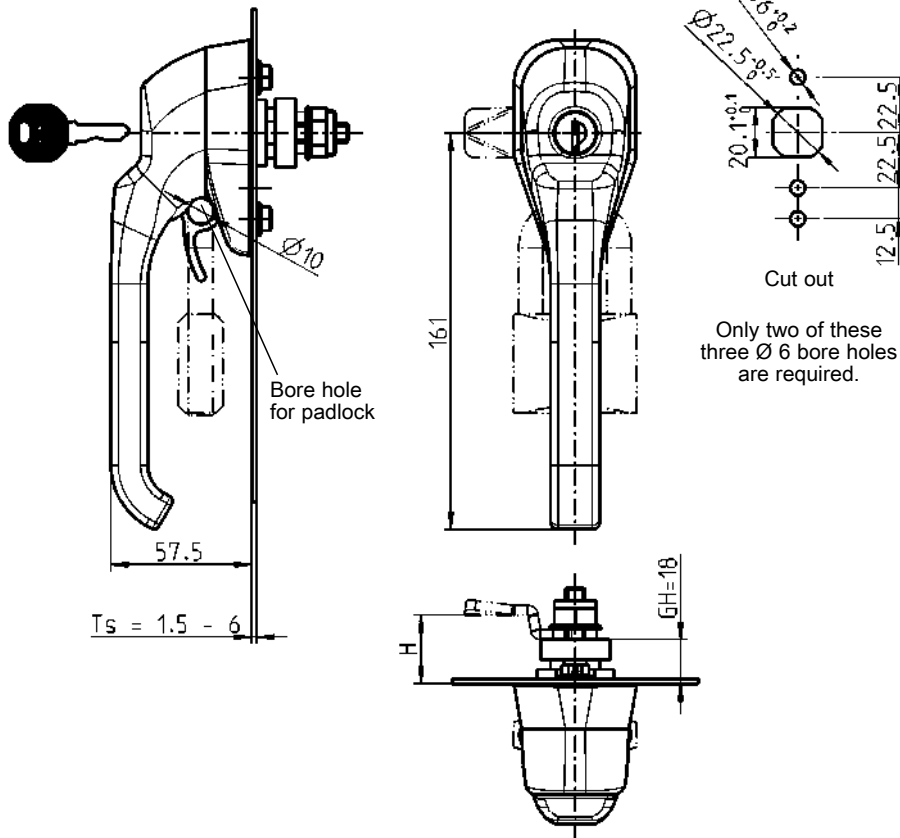
6 Handles

7 Aluminium windows

8 Miscellaneous

9 Special catalogues

Index



Only two of these three Ø 6 bore holes are required.



Handle zinc die black powder-coated;  
 round cylinder with stainless steel cap and dust cap;  
 insert and lever zinc die chrome-plated;  
 stop plate zinc die zinc-plated; fixing material m.s. zinc-plated.  
 Each round cylinder has one silver steel key with grip polyamide GF black.

#### with spring-loaded return

|                      |           |                                |           |
|----------------------|-----------|--------------------------------|-----------|
| without insert       | 1091-U122 | Triangular 8                   | 1091-U131 |
| keyed EK 333         | 1091-U123 | Double bit 3                   | 1091-U132 |
| keyed different      | 1091-U124 | Double bit 5                   | 1091-U133 |
| Square 6             | 1091-U125 | Hexagon female SW 8            | 1091-U134 |
| Square 7             | 1091-U126 | Hexagon female SW 10           | 1091-U135 |
| Square 8             | 1091-U127 | Square female 8                | 1091-U136 |
| Square 8 slotted     | 1091-U128 | Slot 2 x 4                     | 1091-U137 |
| Triangular 6.5 CNOMO | 1091-U129 | Daimler Benz                   | 1091-U138 |
| Triangular 7         | 1091-U130 | Eastern Europe Ø 13 half-round | 1091-U139 |

#### without spring-loaded return

|              |           |                 |           |
|--------------|-----------|-----------------|-----------|
| keyed EK 333 | 1091-U140 | keyed different | 1091-U141 |
|--------------|-----------|-----------------|-----------|

Heavy duty latch AISI 316;  
 round cylinder with stainless steel cap and dust cap zinc die chrome-plated.  
 Each round cylinder has one silver steel key with grip polyamide GF black.

#### with spring-loaded return

|                |              |                 |              |
|----------------|--------------|-----------------|--------------|
| without insert | 1091-U142    | keyed different | 1091-U142-03 |
| keyed EK 333   | 1091-U142-02 | Slot 2 x 4      | 1091-U142-01 |

#### Further parts see page

- Cam with catch (GH = 18)
  - to 1C-120
  - to 1C-160
  - to 1C-170
- Ramp 8B-120
- Key 8B-120
- Spare key 8B-140



# Keys

## Program 1004, 1108



1



2



3



4



5



6



7



8

9



- |   |                             |        |
|---|-----------------------------|--------|
| 1 | Key large, e.g. with square | 8B-120 |
| 2 | Key double bit large        | 8B-120 |
| 3 | Key small, e.g. with square | 8B-120 |
| 4 | Key small, e.g. with square | 8B-120 |
| 5 | Key double bit small        | 8B-120 |
| 6 | Key FIAT                    | 8B-120 |
| 7 | Key square male 6.5 – 8.5   | 8B-120 |
| 8 | Universal key               | 8B-120 |
| 9 | EMKA key, e.g. keyed EK 333 | 8B-140 |

# 8B-100

## Key

## PROGRAM 1004

Form A

Form B

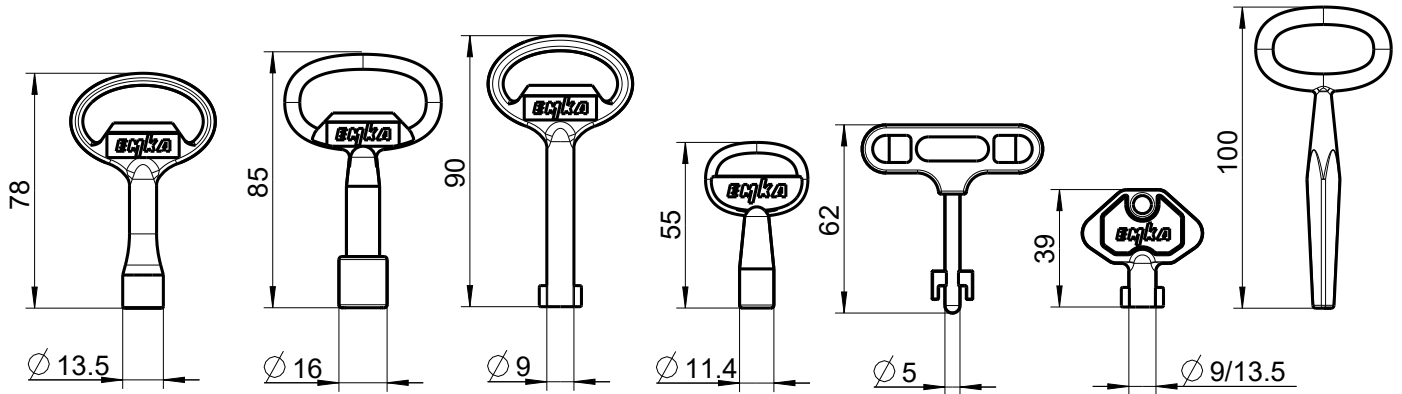
Form C

Form D

Form E

Form F

Form G



Keys can be supplied with customer logo on request

Minimum quantity: Form A, B, C, D

2,000 pieces

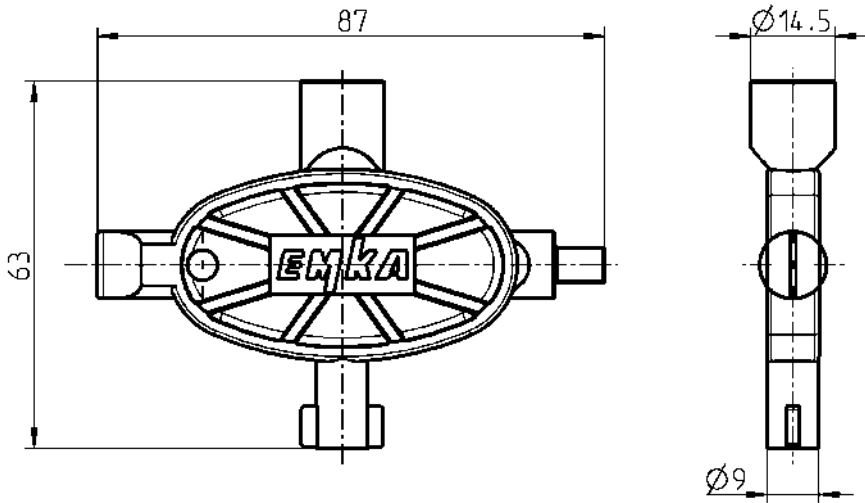
Minimum quantity: Form E, F, H

5,000 pieces

| Key form                       | A                   | B                   | C                   | D                   | E                             | F                  | G                 |
|--------------------------------|---------------------|---------------------|---------------------|---------------------|-------------------------------|--------------------|-------------------|
|                                | Zinc die black p.c. | Zinc die black p.c. | Zinc die black p.c. | Zinc die black p.c. | Zinc die / Polyamide GF black | Polyamide GF black | GTW nickel-plated |
| Square 6                       | 1004-18             | -                   | -                   | 1004-20             | -                             | 1004-37            | -                 |
| Square 7                       | 1004-01             | -                   | -                   | -                   | -                             | 1004-36            | -                 |
| Square 8                       | 1004-02             | -                   | -                   | -                   | -                             | 1004-35            | -                 |
| Triangular 6.5                 | -                   | -                   | -                   | 1004-21             | -                             | -                  | -                 |
| Triangular 6.5 CNOMO type 1    | 1004-26             | -                   | -                   | -                   | -                             | -                  | -                 |
| Triangular 7                   | 1004-03             | -                   | -                   | -                   | -                             | 1004-39            | -                 |
| Triangular 8                   | 1004-04             | -                   | -                   | -                   | -                             | 1004-38            | -                 |
| Triangular 10                  | -                   | 1004-24             | -                   | -                   | -                             | -                  | -                 |
| Crown type                     | -                   | 1004-31             | -                   | -                   | -                             | -                  | -                 |
| Eastern Europe Ø 13 half-round | -                   | 1004-42             | -                   | -                   | -                             | -                  | -                 |
| Double bit 3                   | -                   | -                   | 1004-05             | -                   | -                             | 1004-34            | -                 |
| Double bit 5                   | -                   | -                   | 1004-06             | -                   | -                             | 1004-33            | -                 |
| Hexagon SW 11.1                | -                   | 1004-54             | -                   | -                   | -                             | -                  | -                 |
| Daimler Benz                   | 1004-17             | -                   | -                   | -                   | -                             | -                  | -                 |
| FIAT                           | -                   | -                   | -                   | -                   | 1004-41                       | -                  | -                 |
| Square male 6                  | 1004-29             | -                   | -                   | -                   | -                             | -                  | -                 |
| Square male 8                  | 1004-30             | -                   | -                   | -                   | -                             | -                  | -                 |
| Square male 6 - 9.5            | -                   | -                   | -                   | -                   | -                             | -                  | 1004-19           |
| Hexagon male 8 with bore hole  | 1004-49             | -                   | -                   | -                   | -                             | -                  | -                 |
| Tube                           | -                   | -                   | -                   | 1004-51             | -                             | -                  | -                 |



Form H

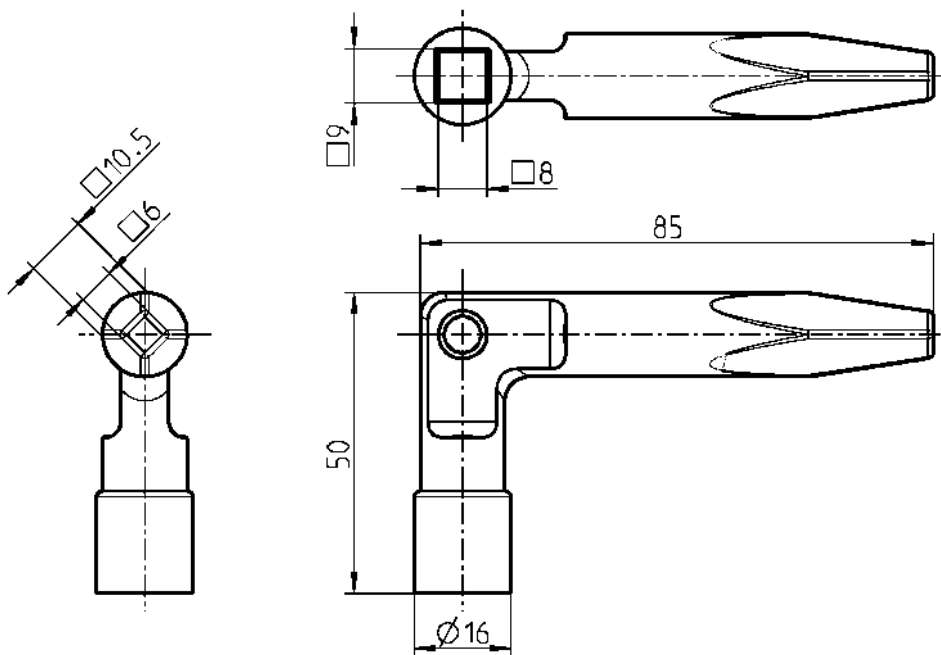


Form H, universal key, polyamide GF blue

Square male 6, square 8, double bit 5 and slot

1004-48

Form I



Form I, version railway, zinc die black powder-coated

Square 8 - 9, square male 6 - 10.5

1004-52



**Attention:**  
Keys of form  
A, B, C, E, F, G and I  
not suitable for Program 1022

Stainless steel key on request

Info

1 Quarter turns

2 Rod controls

3 Locking systems

4 Hinges

5 Seals

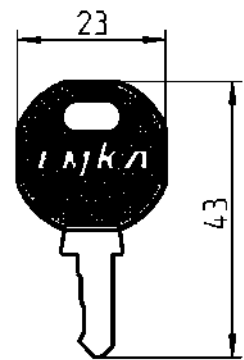
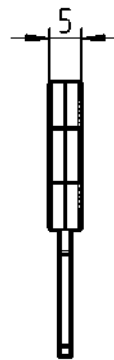
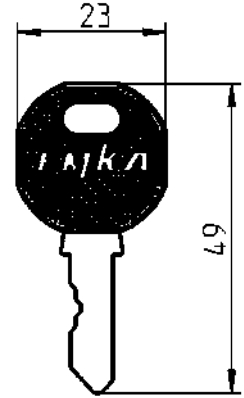
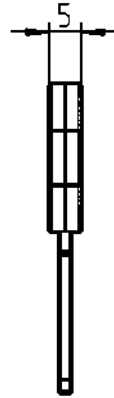
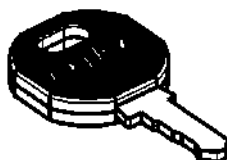
6 Handles

7 Aluminium windows

8 Miscellaneous

9 Special catalogues

Index



EMKA key silver steel with grip polyamide black for Program 1000, 1048, 1091, 1109, 1121, 1125, 1150, 1160, 1180, 1200, 1210, 1225, 2100, 2400,

Key EK 333

1108-U35

keyed different

1108-U36-key system

for Program 1022, 1109, 1200, 2100, 2400

Key 2233X

1108-U37

keyed different

1108-U38-key system

**Note:**  
Further keys on request

**8B-140**

(12B-140; 10A-140)

# Cover stays and Door stops



1



2



3



4



5

- |   |   |        |
|---|---|--------|
| 1 | Double stay, self-catching                            | 8C-120 |
| 2 | Telescopic cover stay with push button, self-catching | 8C-140 |
| 3 | Telescopic cover stay, self-catching                  | 8C-160 |
| 4 | Cover stay with locking pawl                          | 8C-180 |
| 5 | Door stopper  | 8C-220 |

## 8C-100

Info

1 Quarter turns

2 Rod controls

3 Locking systems

4 Hinges

5 Seals

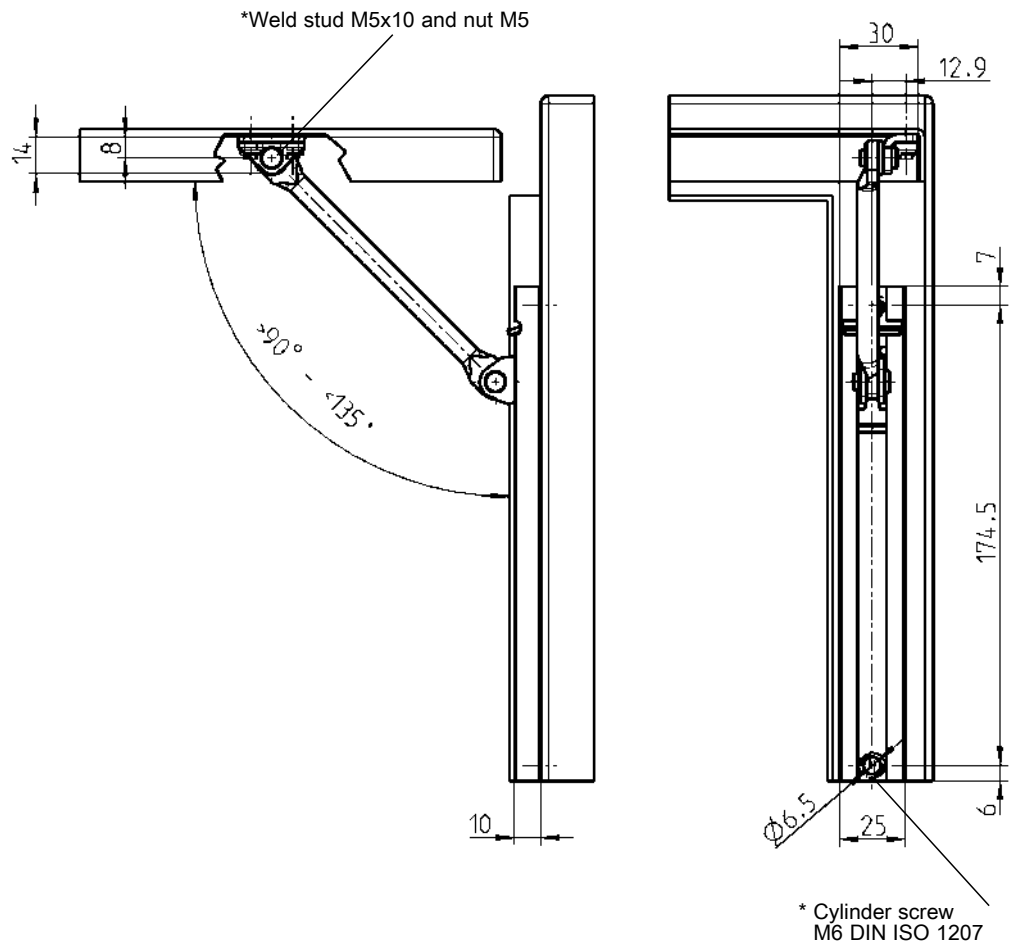
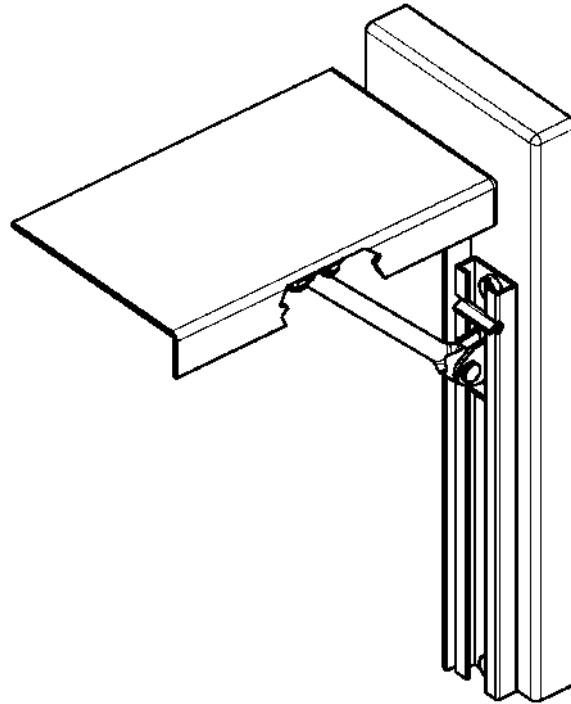
6 Handles

7 Aluminium windows

8 Miscellaneous

9 Special catalogues

Index



Further parts see page  
– Hinge for prominent door Chapter 4

Cover stay m.s. zinc-plated

1050-U3

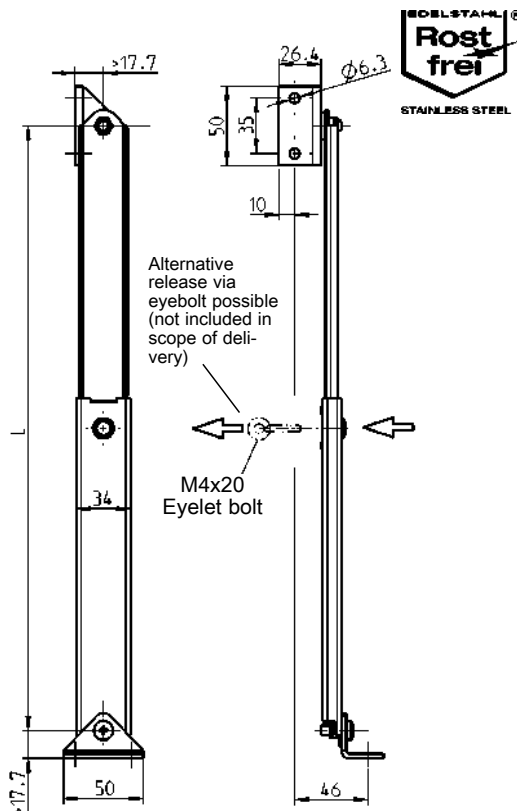
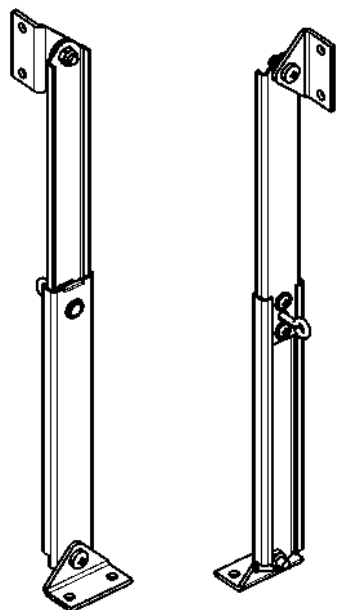
**8C-120**

(12C-120; 6A-170)

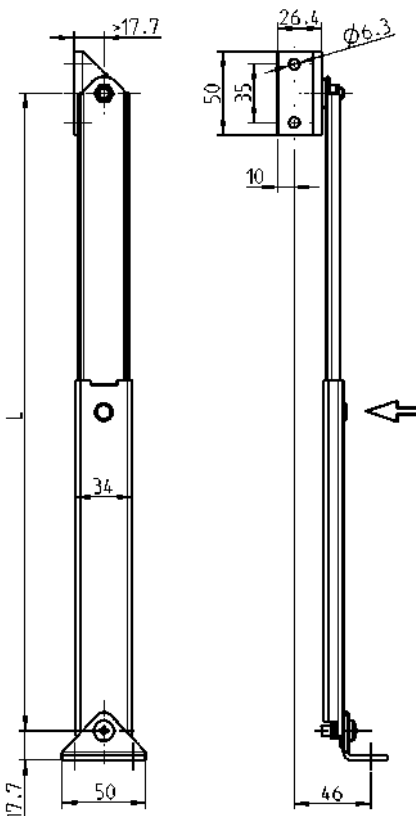
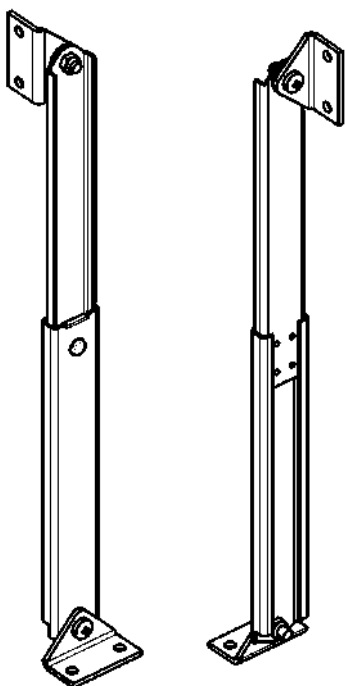
# Telescopic cover stay with push button to release

PROGRAM 1097

Telescopic cover stay m.s. zinc-plated



Telescopic cover stay stainless steel



1 Quarter turns

2 Rod controls

3 Locking systems

4 Hinges

5 Seals

6 Handles

7 Aluminium windows

8 Miscellaneous

9 Special catalogues

Index

Telescopic cover stay m.s. zinc-plated, push button zinc die chrome-plated

|             | retracted | extended |         |
|-------------|-----------|----------|---------|
| Dimension L | 213       | 382      | 1097-U5 |
| Dimension L | 377       | 710      | 1097-U6 |

Telescopic cover stay AISI 304, push button AISI 303

|             |     |     |            |
|-------------|-----|-----|------------|
| Dimension L | 213 | 382 | 1097-U5-PC |
|-------------|-----|-----|------------|

Further parts see page

- Hinge for prominent door  
- 2D Nut

Chapter 4  
8E-120

Info

1 Quarter turns



2 Rod controls

3 Locking systems

4 Hinges

5 Seals

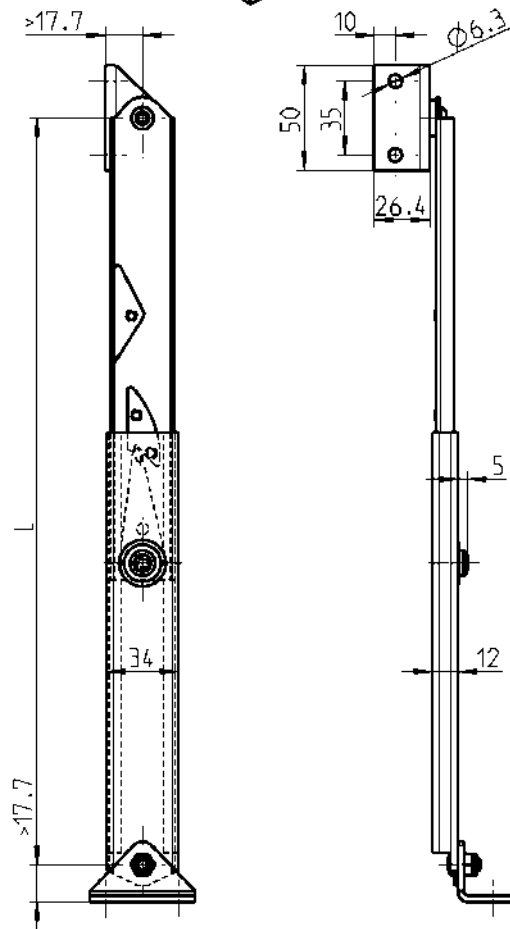
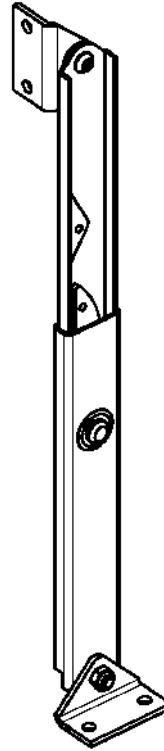
6 Handles

7 Aluminium windows

8 Miscellaneous

9 Special catalogues

Index



#### Further parts see page

- Hinge for prominent door Chapter 4
- 2D Nut 8E-120

#### Telescopic cover stay m.s. zinc-plated

|             | retracted | extended |         |
|-------------|-----------|----------|---------|
| Dimension L | 215       | 360      | 1097-U1 |
| Dimension L | 398       | 685      | 1097-U2 |

### 8C-160

(12C-160; 6A-190)



Info

1 Quarter turns

2 Rod controls

3 Locking systems

4 Hinges

5 Seals

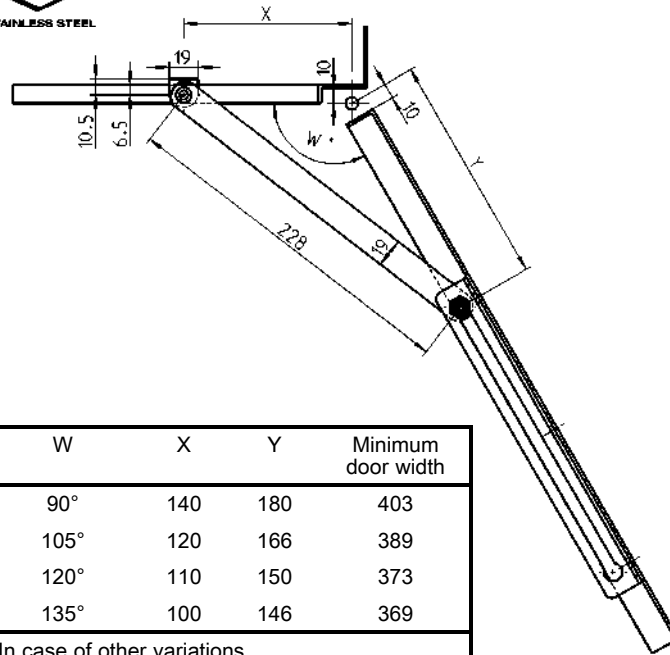
6 Handles

7 Aluminium windows

8 Miscellaneous

9 Special catalogues

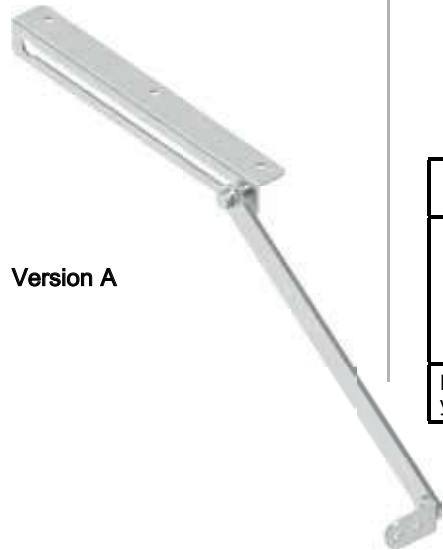
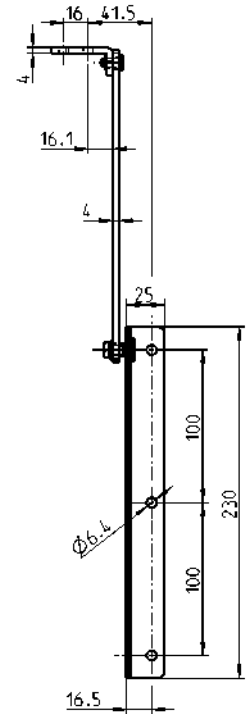
Index



| W    | X   | Y   | Minimum door width |
|------|-----|-----|--------------------|
| 90°  | 140 | 180 | 403                |
| 105° | 120 | 166 | 389                |
| 120° | 110 | 150 | 373                |
| 135° | 100 | 146 | 369                |

In case of other variations  
y = x + >40

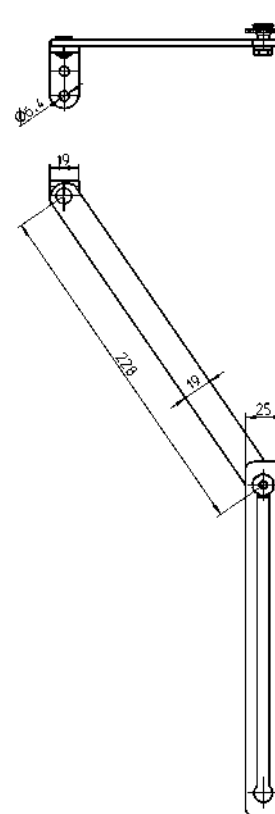
Version A



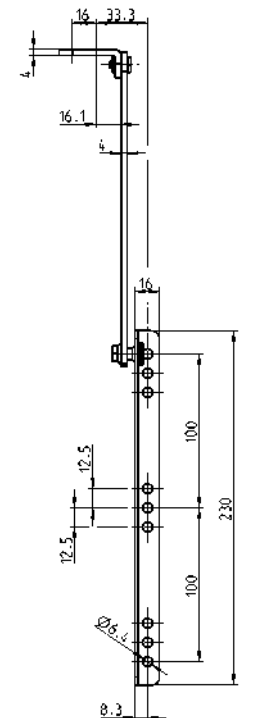
Version A



Version B



Version B



Further parts see page  
– Hinge for prominent door  
– 2D Nut

Chapter 4  
8E-120

**Door stop m.s. zinc-plated**

Version A (2D nut possible)

1087-U1

Version B (2D nut possible)

1087-U4

**Door stop AISI 304, locking bush and rivet AISI 303**

Version A (2D nut possible)

1087-U1-PC



# Accessories

## Escutcheon, Panel mounting device, Cable shunting ring, Drawing pocket, Window



- |   |   |                  |
|---|---|------------------|
| 1 | Escutcheon, e.g. for profile half cylinder                  | 8D-120           |
| 2 | Panel mounting device for mounting plates, back panels etc. | 8D-220           |
| 3 | Cable shunting ring   | 8D-320           |
| 4 | Cable grommet   | 8D-320           |
| 5 | Drawing pocket glass clear                                  | 8D-420           |
| 6 | Drawing pocket, e.g. for size DIN A4                        | 8D-420           |
| 7 | Window  | 8D-520 to 8D-620 |

# 8D-100

Info

1 Quarter turns



2 Rod controls



3 Locking systems

4 Hinges

5 Seals



6 Handles

7 Aluminium windows

Small head = DIN ISO 2009,  
2010, 7046-1, 7046-2, 7047

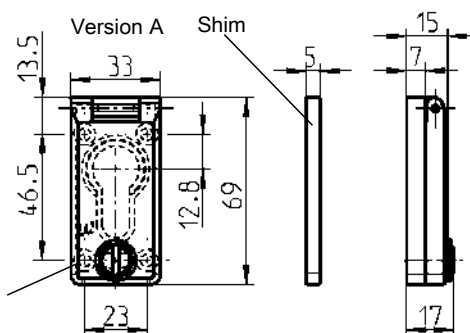
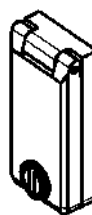
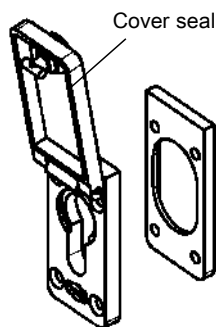
8 Miscellaneous

9 Special catalogues

Further parts see page  
– Suitable for rod control 2A-120  
2B-140

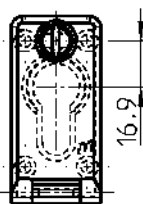
Index

**8D-120** 08/16  
(12D-120; 6A-330)

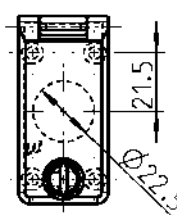


Bore hole for  
countersunk  
screw small  
head M4

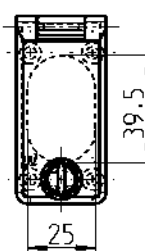
Version B



Version C



Version D

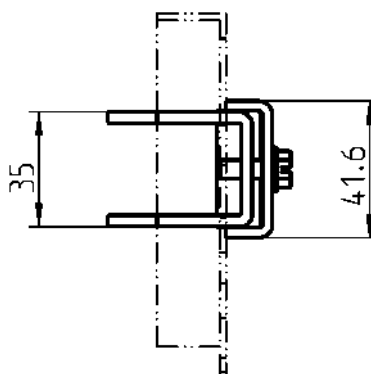
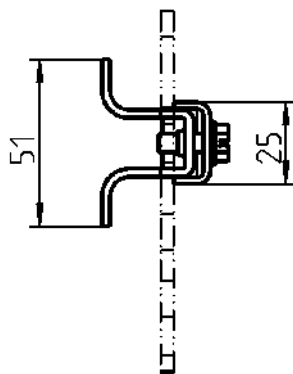
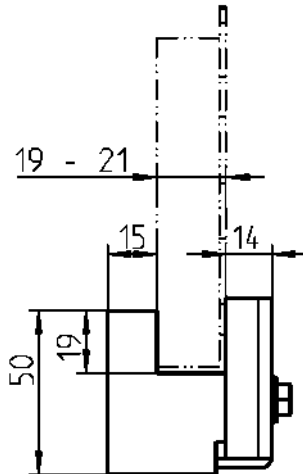
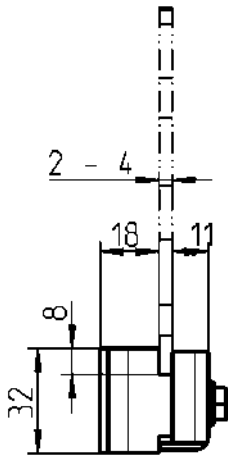
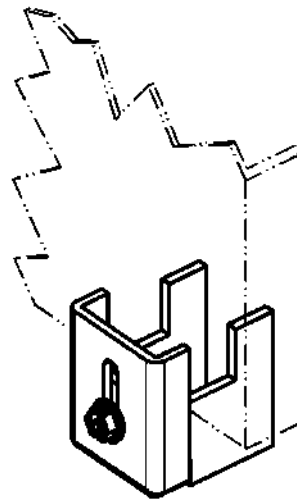
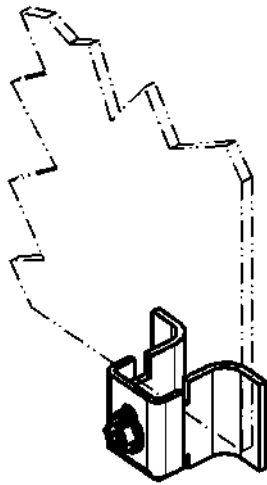


#### Escutcheon polyamide grey, RAL 7032

|  |          |  |          |
|--|----------|--|----------|
| Version A<br>for profile half cylinder | 1072-U1  | Version A<br>for profile half cylinder, sealable | 1072-U11 |
| Version B<br>for profile half cylinder | 1072-U13 | Version B<br>for profile half cylinder, sealable | 1072-U12 |
| Version C<br>with round hole Ø 22.5    | 1072-U15 | Version C<br>with round hole Ø 22.5, sealable    | 1072-U14 |
| Version D<br>with universal hole       | 1072-U16 | Version D<br>with universal hole, sealable       | 1072-U17 |
| <b>Shim polyamide grey</b>             |          | 1072-01  |          |
| <b>Bottom seal cell sponge rubber</b>  |          | 1072-02  |          |
| <b>Cover seal</b>                      |          | 1072-03  |          |

Version A

Version B



Panel mounting device m.s. zinc-plated, weld-on part m.s. raw

|  | Version A | Version B |
|--|-----------|-----------|
|  | 1051-U2   | 1051-U1   |

Info

1 Quarter turns



2 Rod controls

3 Locking systems



4 Hinges

5 Seals

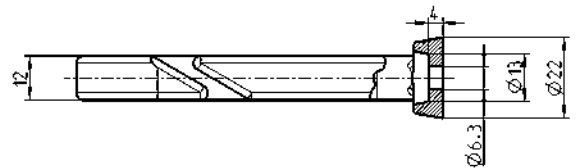
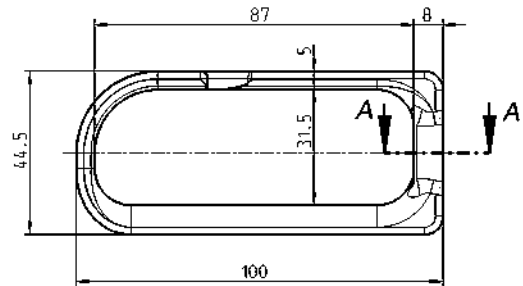
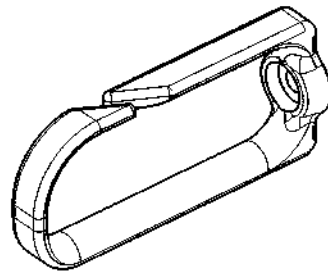
6 Handles

7 Aluminium windows

8 Miscellaneous

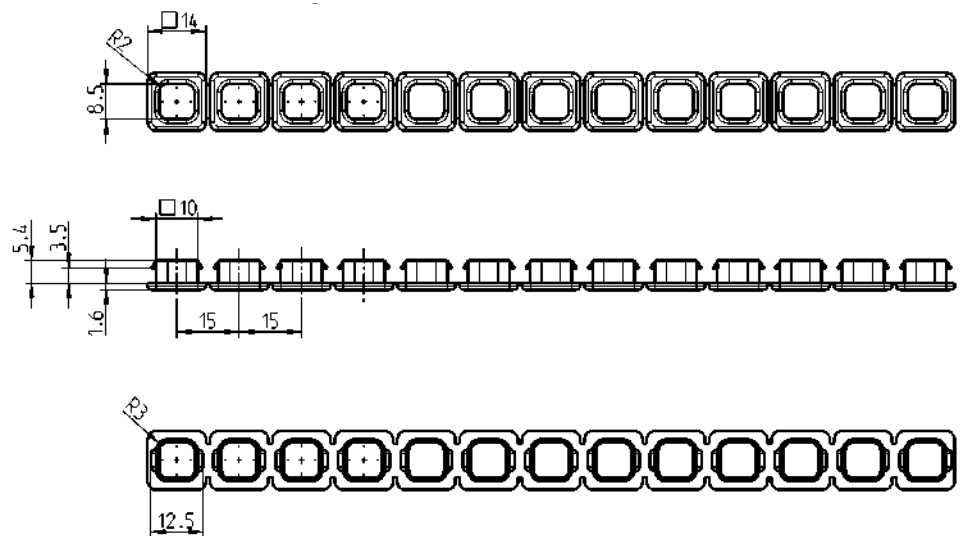
9 Special catalogues

Index



**Cable shunting ring PC+ABS-FR(40) black**  
for fixing screw M6

1071-01



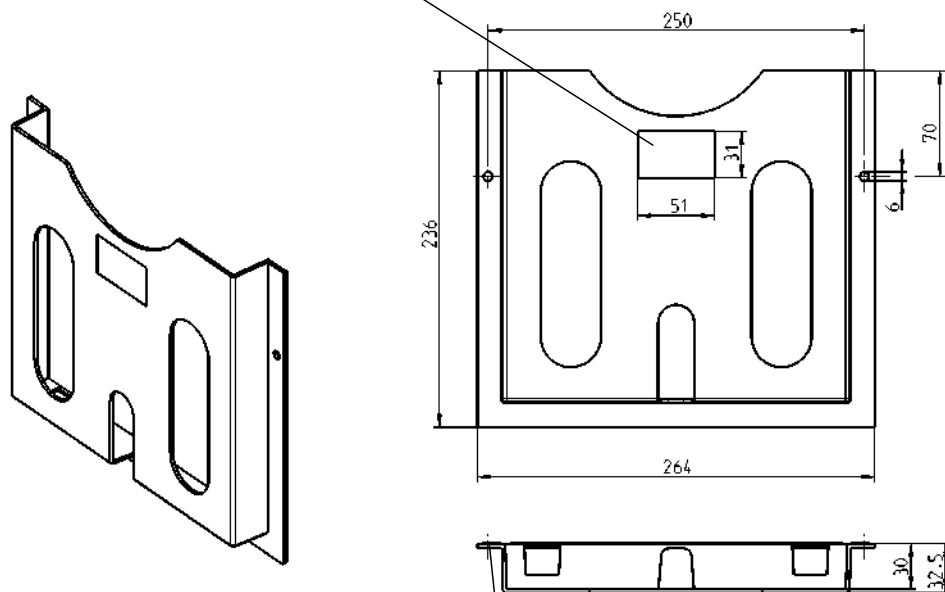
**Further parts see page**  
– Electronic locking systems  
Special catalogue Electronics

**Cable grommet polyethylene PE-LD black**

Strip with 13 pieces

1071-U1

Logo recess: 51 x 31 x 0.2  
Multicolour pad print possible

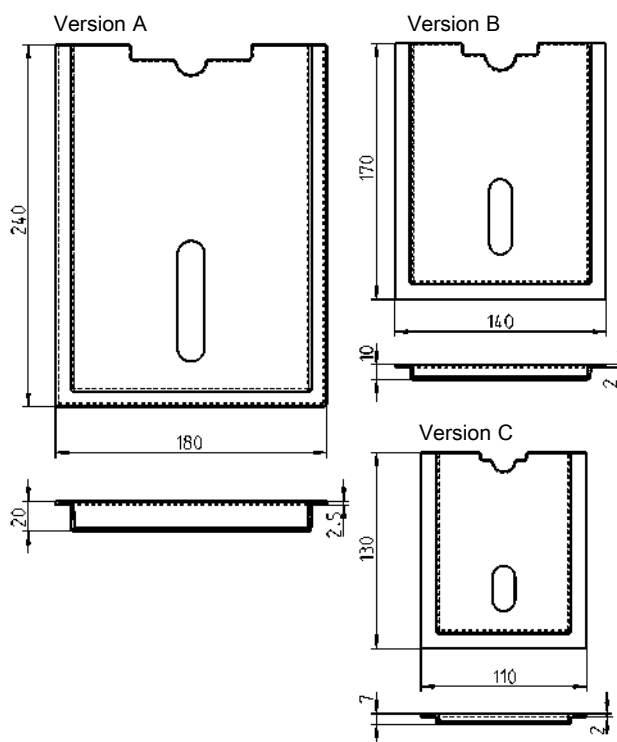
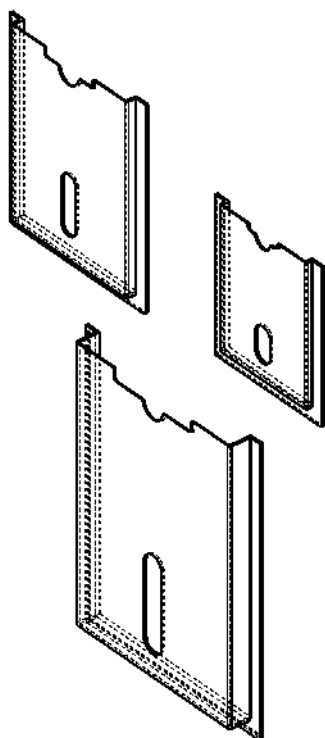


Self-adhesive, screw fixing possible.  
Size corresponds to DIN A4



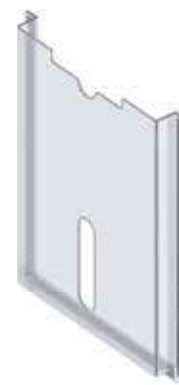
### Drawing pocket polystyrene impact-resistant, self-adhesive

|        |         |
|--------|---------|
| grey   | 1013-U1 |
| orange | 1013-U2 |



### Drawing pocket SAN glass clear, self-adhesive

|           |         |
|-----------|---------|
| Version A | 1013-U5 |
| Version B | 1013-U4 |
| Version C | 1013-U3 |



Info

1 Quarter turns



2 Rod controls

3 Locking systems

4 Hinges

5 Seals

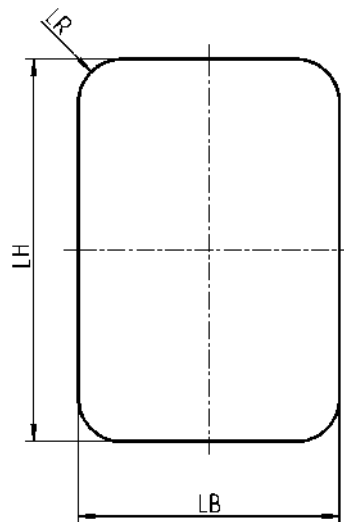
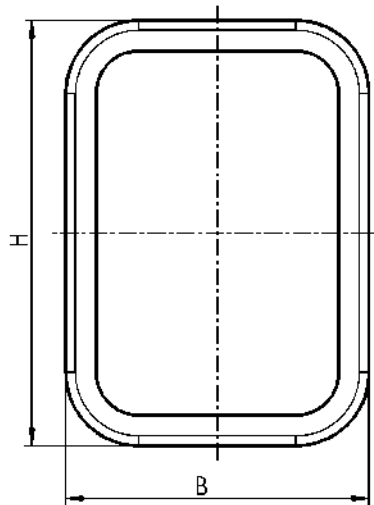
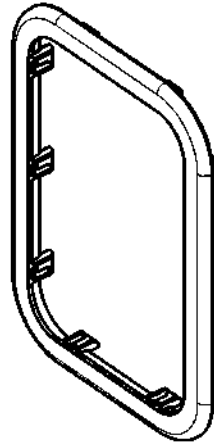
6 Handles

7 Aluminium windows

8 Miscellaneous

9 Special catalogues

Index



Cut out

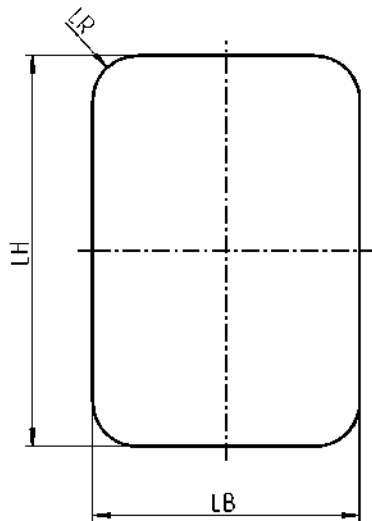
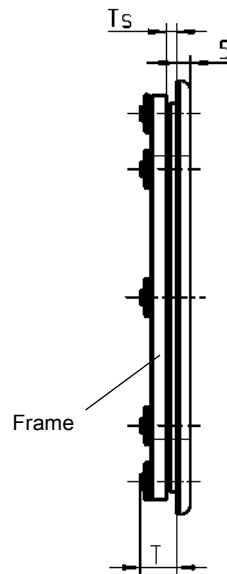
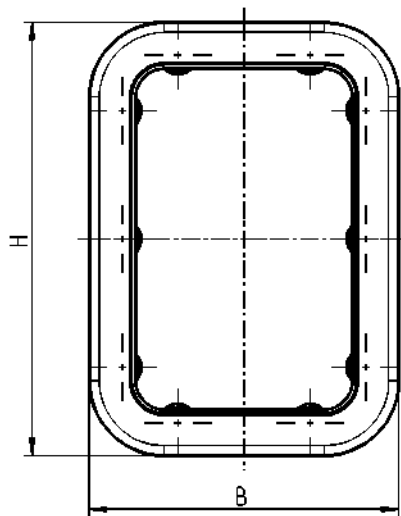
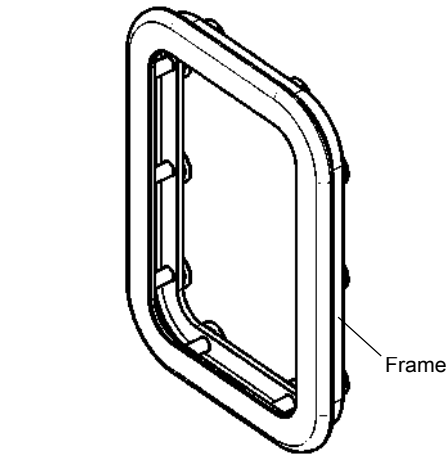
Other sizes on request

Clip-in window angular polycarbonate glass clear, with seal

| H   | B   | LH    | LB    | LR | Ts  |         |
|-----|-----|-------|-------|----|-----|---------|
| 110 | 110 | 94.4  | 94.4  | 6  | 1.5 | 1250-U1 |
| 110 | 110 | 94.4  | 94.4  | 6  | 2   | 1250-U3 |
| 175 | 125 | 157.2 | 107.2 | 20 | 1.5 | 1250-U2 |

# Angular window

## PROGRAM 1250



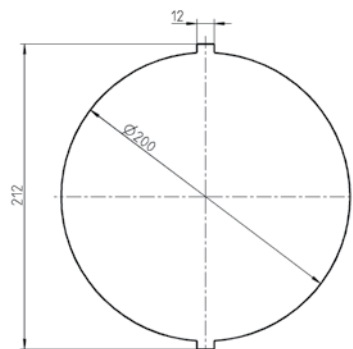
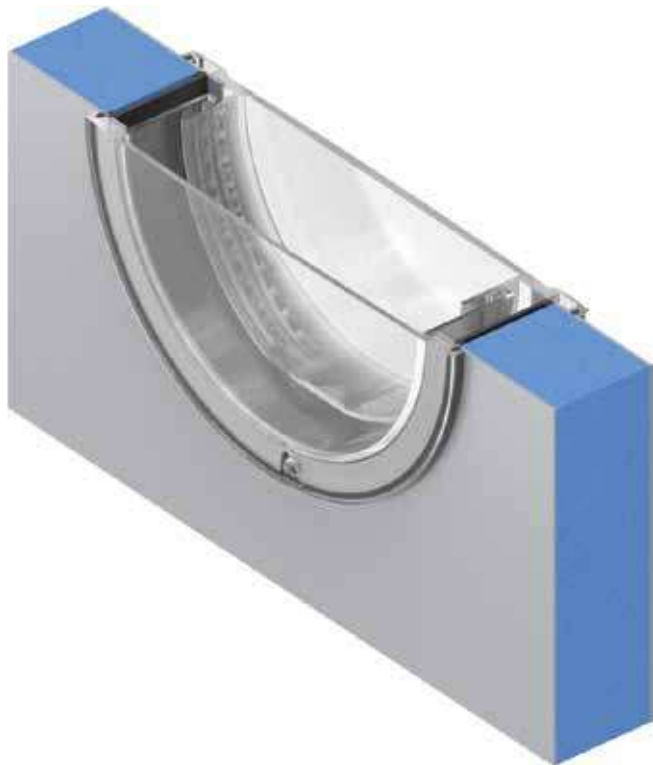
Cut out



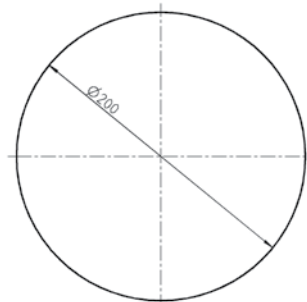
Angular window polycarbonate glass clear, shaft clamping rings m.s. zinc-plated, with seal

| H  | B   | T  | LH    | LB   | LR | Ts     |         |
|--|-----|----|-------|------|----|--------|---------|
| <b>Angular window without frame</b>            |     |    |       |      |    |        |         |
| 110  | 110 | 17 | 95.5  | 95.5 | 6  | 3 - 13 | 1250-U4 |
| 175  | 125 | 15 | 156.5 | 107  | 20 | 3 - 12 | 1250-U6 |
| <b>Angular window with frame polycarbonate</b> |     |    |       |      |    |        |         |
| 110  | 110 | 17 | 95.5  | 95.5 | 6  | < 5    | 1250-U5 |
| 175  | 125 | 15 | 156.5 | 107  | 20 | < 6    | 1250-U7 |

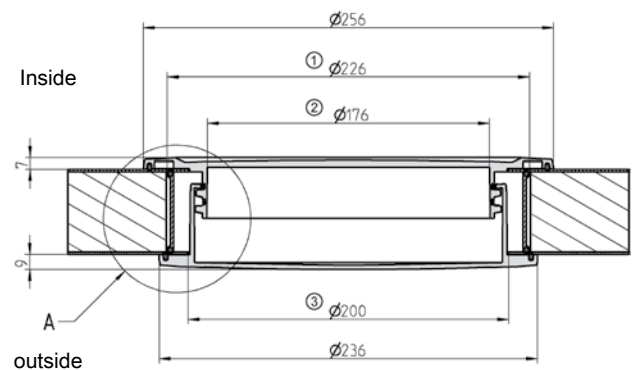
Other sizes on request



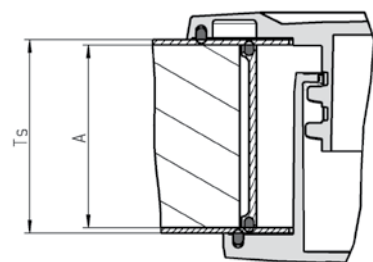
Cut out inside ③



Cut out outside ③



② = visible area



#### Round window polycarbonate glass clear, with seal

Ts = 30 - 40

1091-U172-30

Ts = 50 - 60

1091-U172-50

#### Support ring for round window polyamide black, with seal

① A = 30

1091-152-30G

① A = 40

1091-152-40G

① A = 50

1091-152-50G

① A = 60

1091-152-60G



# Fixing material

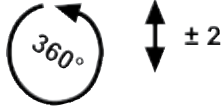


- |   |   |        |
|---|---|--------|
| 1 | 2D Nut, e.g. for hinge fixing                         | 8E-120 |
| 2 | Nut for Program 1000, 1001, 1022, 1102, 1103 and 1107 | 8E-140 |
| 3 | Circlips DIN 6799                                     | 8E-140 |
| 4 | Locking screw with and without stain coating          | 8E-160 |

# 8E-100



Cut out  
Ø 10



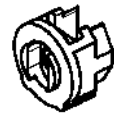
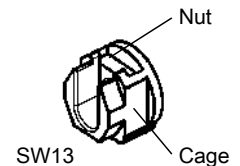
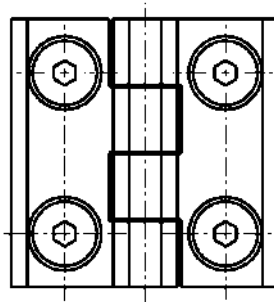
Mounting example:  
Catch



Mounting example:  
Hinge for flush door

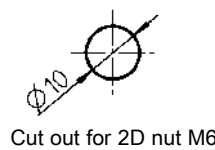
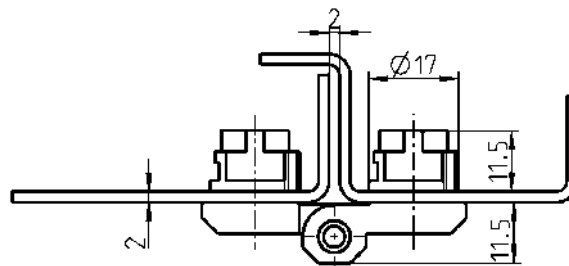


**Attention:**  
Each 2D nut is  
adjustable  $\pm 2$  mm  
in any direction.



**Further parts see page**

- Catch 3ZA-1220
- Hinge for prominent door 4A-138, 4A-140, 4A-170, 4A-210, 4A-215, 8B-180
- Hinge for flush door 4B-200, 4B-210, 4B-212, 4B-215, 4B-245, 4B-320
- Cover stay 8C-140, 8C-160, 8C-220



- Advantage:**
1. No adjustability can be seen from the outside.
  2. With the 2D nut, you can convert any hinge or catch that attaches from front to back into a 2D hinge or 2D catch.

Other thread sizes  
on request

2D Nut cage zinc die zinc-plated; nut m.s. zinc-plated

M6 with SW 13

1056-U51

# Nut, Circlip

## PROGRAM UNIVERSAL

Nut



### Earth-safe screw-in quarter turn program

When using the illustrated earthing nut, the screw-in sash fastener complies with **VDE regulation 0660/Part 5**.

The earthing nut is provided with teeth and removes the lacquer coating in a limited area when tightened, thus ensuring metallic bonding.

Underlaid serrated washers are no longer sufficient for the paint qualities used today.

Earthing must be checked by a qualified electrician at the cabinet.



### Nut M16x1 for Program 1022

|              | Zinc die     | m.s. zinc-plated |
|--------------|--------------|------------------|
| Nut          | –            | 1022-05-JB       |
| Earthing nut | 1022-11-01KA | 1022-11-JB       |

### Nut M22x1.5 for Program 1000

|              | m.s. zinc-plated | AISI 303   | Polyamide GF |
|--------------|------------------|------------|--------------|
| Nut          | 1000-02-JB       | 1000-02-PF | 1000-02-SI   |
| Earthing nut | 1000-111-JB      | –          | –            |

Circlip



### Circlip DIN 6799

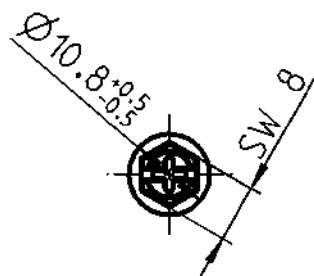
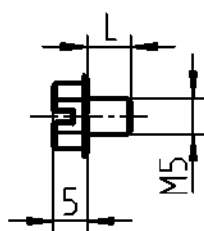
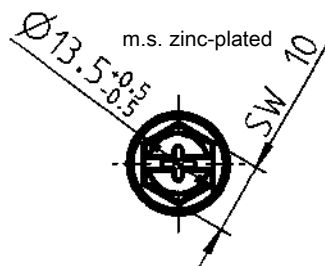
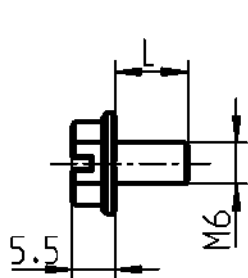
| d | m.s. zinc-plated | AISI 303 |
|---|------------------|----------|
| 4 | 000039           | –        |
| 5 | 000042           | 000041   |
| 6 | 000048           | –        |
| 8 | 000154           | –        |

- Info
- 1 Quarter turns
- 2 Rod controls
- 3 Locking systems
- 4 Hinges
- 5 Seals
- 6 Handles
- 7 Aluminium windows
- 8 Miscellaneous
- 9 Special catalogues
- Index



# Locking screw

## PROGRAM UNIVERSAL



### Locking screw with Philips head, slot and hexagon (not for AISI 303)

| M6xL | m.s. zinc-plated | m.s. zinc-plated spot-coated | AISI 303      |
|------|------------------|------------------------------|---------------|
| 6    | 1000-277-02JB    | 1000-277-02JC                | -             |
| 8    | 1000-277-03JB    | 1000-277-03JC                | -             |
| 10   | 1000-277-01JB    | 1000-277-01JC                | 1000-277-01PI |
| 16   | 1000-277-11JB    | 1000-277-11JC                | -             |
| 20   | 1000-277-04JB    | 1000-277-04JC                | -             |
| 23   | -                | 1000-277-13JC                | -             |
| 25   | 1000-277-05JB    | 1000-277-05JC                | -             |
| 30   | 1000-277-06JB    | -                            | -             |
| 40   | 1000-277-07JB    | -                            | -             |
| 50   | 1000-277-21JB    | -                            | -             |
| M5xL | m.s. zinc-plated |                              |               |
| 6    | 1000-277-09JB    |                              |               |

# Special catalogue

## EMKA Electronics



You will find all electronic locking solutions in our 52-page special catalogue:

### Electronic Locking Systems for Cabinets and Housings



Download



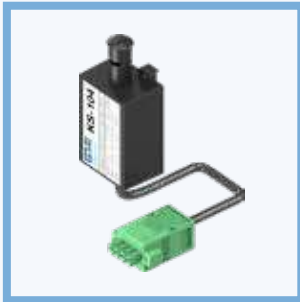
# Content



1 Electronic locks



2 Units / Control units



3 Sensors



4 Accessories



5 Software

# Electronic locking solutions

## Extract from the special catalogue

### Agent E Wireless

- Swinghandle with wireless communication
- Unique authentication via RFID cards
- Remote opening is always possible in addition
- Complete recording of results
- Installation in cabinets from different manufacturers via adapter
- Simplest installation without wiring
- For new systems and for retrofitting
- Extremely energy-efficient battery operation (battery life min. 3 years)



### Low power outdoor handle

- Securing passive enclosures (without own power supply)
- Extremely low power consumption (150 mA, standby 0 mA)
- Ideally suited for access control systems with battery operation or inductive power supply
- Integrated push button to activate the access control system
- Signalling of the handle status (OPEN / CLOSED)
- Resistance class RC2
- Optional locking cylinder for mechanical emergency opening

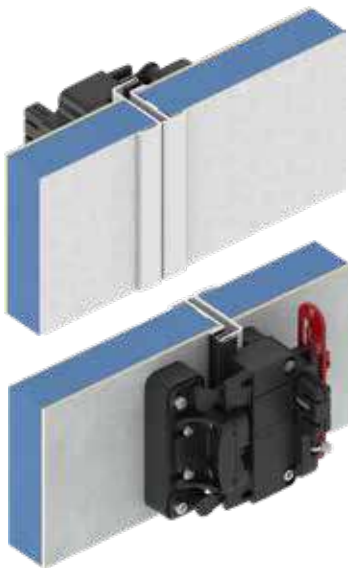


### Software EMKA Control Cockpit

- User Management
- System administration
- Real-time monitoring
- Configurable screen views
- Measured value storage
- Logging and analysis
- Remote access
- Integration into third party systems







### ePush Lock / Electromechanical flap lock

- Locking solution without visible components on the outside
- Opening and closing by pressing the flap / door
- No interruption of the outer sealing due to mounting on the inside
- Integrated emergency opening on the locking element
- Optional connection to the central locking system
- Usable as a building block for the alarm monitoring of the flap
- Distance adapter & protective cover (optionally available)
- German Innovation Award winner 2019
- Patented

### eCam / Electromechanical cam lock

- Universally usable electromechanical lock for all type of locks with cam
- Easy installation in new and existing systems
- Emergency opening via bowden cable (optional)
- Locking / Unlocking via Stand-Alone solution with keypad or RFID card reader
- Integrable into access controls or machine controls
- Certified as position switch according to EN ISO 14119 (machinery directive)
- Performance level d according to EN 13849



### Single-point latch

- Usable in various applications as a concealed lock
- Available in 4 different versions:
  - ▶ Direct closing
  - ▶ Delayed closing
  - ▶ Opening in case of power failure
  - ▶ Opening by control pulse
- Wide supply voltage range (9 ... 32 V)
- Switch for remote monitoring of status / door status
- Emergency opening via bowden cable (optional)
- Protection class up to IP 55
- Variant with approval UL508 Ex (UL HazLoc) available



You will find all electronic locking solutions in our 52-page special catalogue:

#### Electronic Locking Systems for Cabinets and Housings



# Special catalogue

## Seals



All standard profiles as well as further information on the subject of seals can be found in our 108-page special catalogue:

**Sealing Technology made to measure - Profiles and Frames from In-House Production**



Download



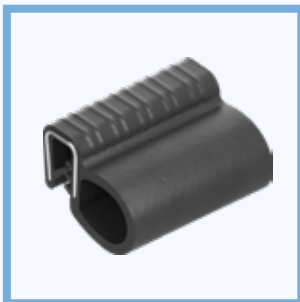
# Content



## 1 Profiles for industrial applications



## 2 Profiles made of fire protection material



## 3 Profiles according to VDI guideline 6022



## 4 Profiles for the food industry

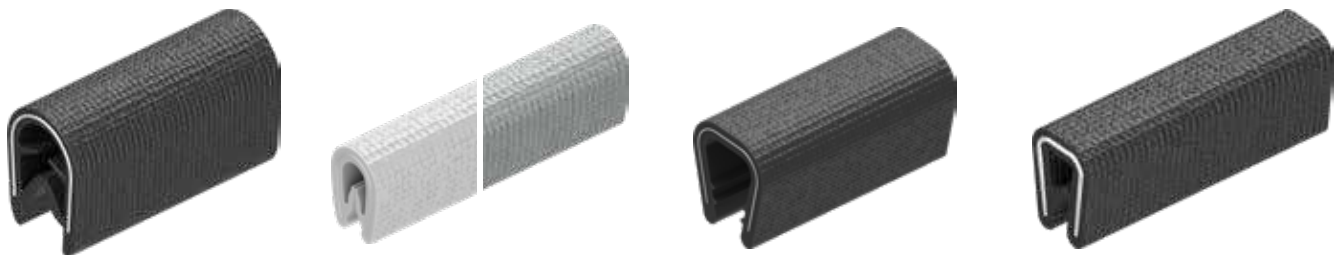
| Medium   | Naturkautschuk<br>(NR, SBR) | Polymethacrylate | Butylkautschuk<br>(BR) | Acrylnitril-Propylen-Kautschuk<br>(EPDM, EPDM) |
|--|-----------------------------|------------------|------------------------|--|
| * wenn als Lebensmittel, dann lebensmittelzugängige Qualitäten verlangen |                             |                  |                        |  |
| Acetaldehyd  | 3                           | 2                | 1                      | 2  |
| Aceton   | 3                           | -                | 1                      | 1  |
| Acetylaceton   | 4                           | 4                | 1                      | 1  |
| Acetylen gas   | 1                           | 1                | 1                      | 1  |
| Acrylnitril  | 2                           | 4                | 1                      | 1  |
| Acrylsäureethylester: s. Acrylnitril                                     |                             |                  |                        |  |
| Adipinsäure  | 1                           | -                | 1                      | 1  |
| Adipinsäurediethylester  | 3                           | -                | 1                      | 1  |
| Aethanol (gas)   | 4                           | 1                | -                      | 4  |
| Aethanol: s. Äthylalkohol  |                             |                  |                        |  |

## 5 Resistance list

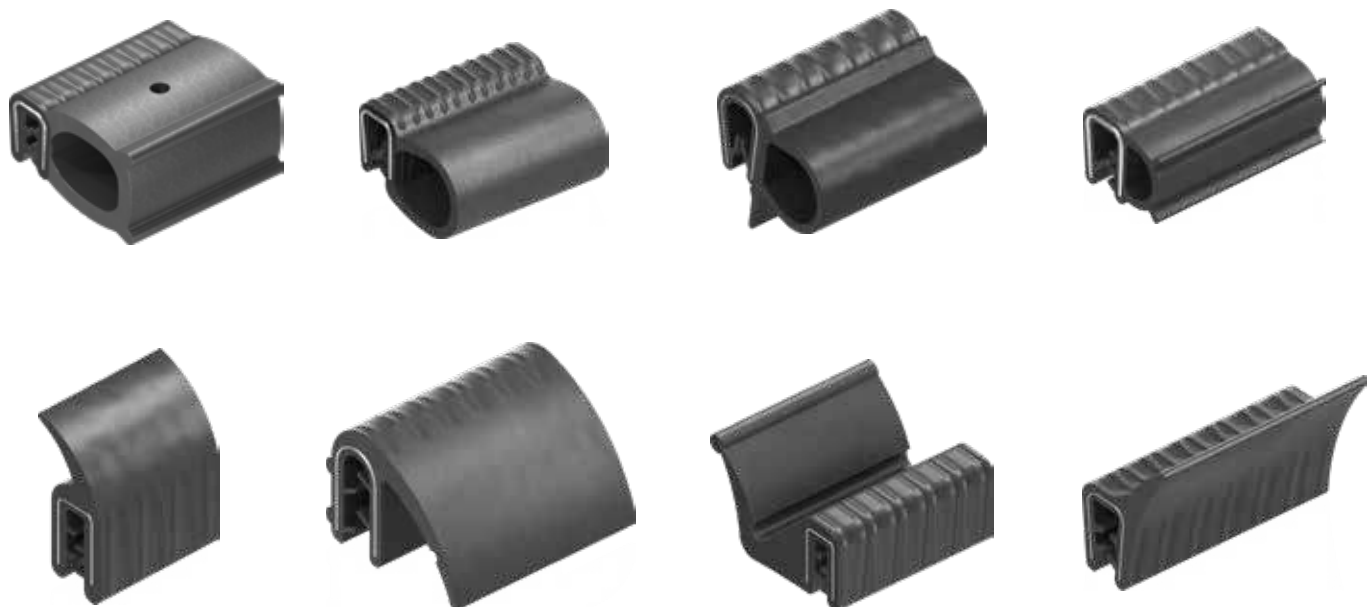
# Seals

## Extract from the special catalogue

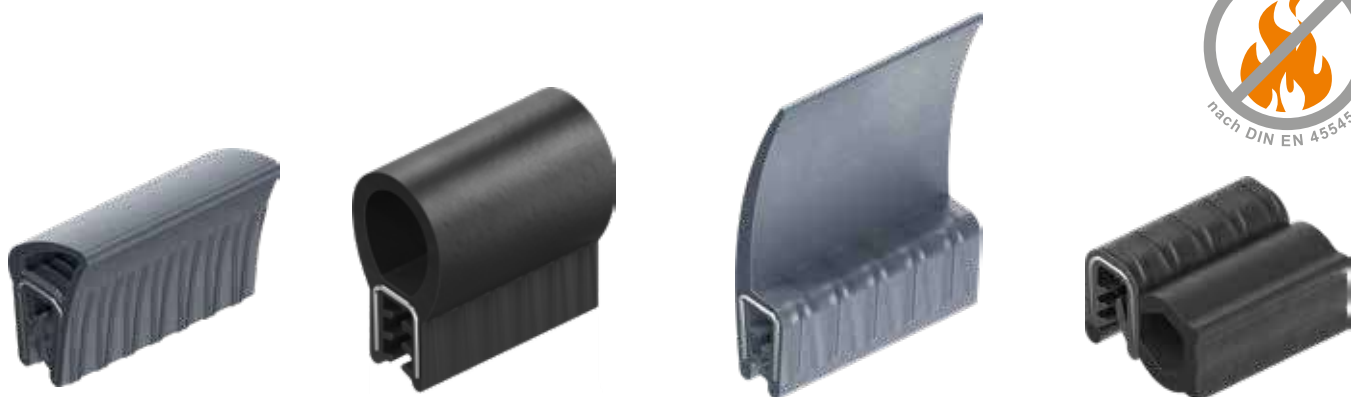
### Edge protection profiles



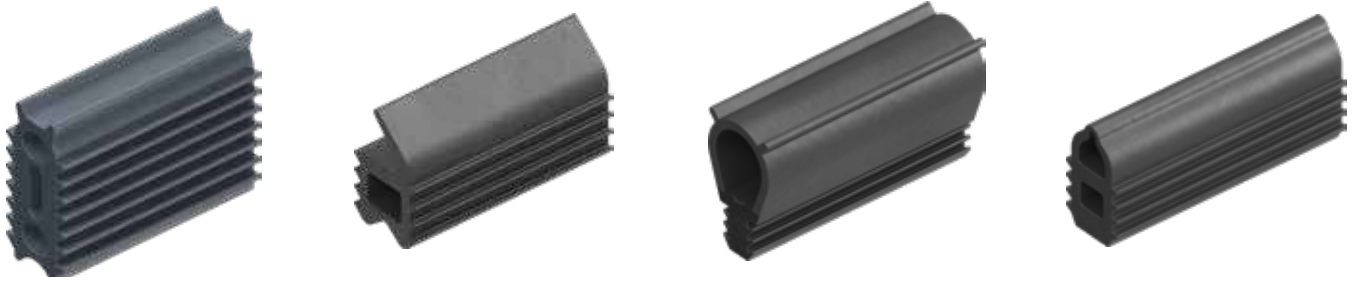
### Self-clamping sealing profiles



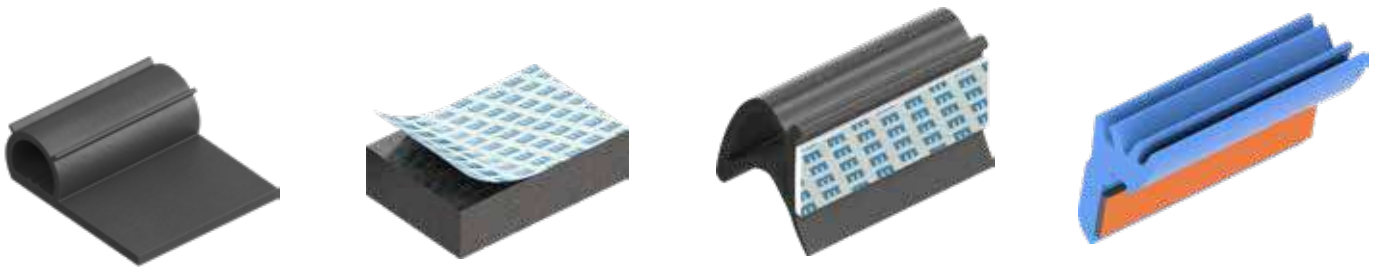
### Self-clamping sealing profiles made of fire protection material



## U-section profiles



## Profiles with adhesive tape



## Clamping and holding profiles



All standard profiles as well as further information on the subject of seals can be found in our 108-page special catalogue:

**Sealing Technology made to measure - Profiles and Frames from In-House Production**



**Download**



# Special catalogue

## Toggle latches / Cylinder quarter turns



i

All toggle latches and cylinder quarter turns as well as other products can be found in the special catalogs of STRENGER GmbH:



**STRENGER**  
Cylinder quarter turns



**STRENGER**  
Toggle latches and handles

Download



## STRENGER

### A member of the EMKA Group

STRENGER is the reliable partner when it comes to progressive locking solutions for buildings.

STRENGER develops and manufactures products for a wide range of plastic, wood, metal and glass applications, from simple latches to complex locking mechanisms.

Whatever project has to be realized; from STRENGER there is the right product for every demand. As one of the leading manufacturer of latches in Europe with meanwhile 175 years of experience, STRENGER offers an extensive standard program as well as custom-made products for many fields of application.

The technical know-how and the quality of "Made in Europe" also makes STRENGER an internationally sought-after specialist.



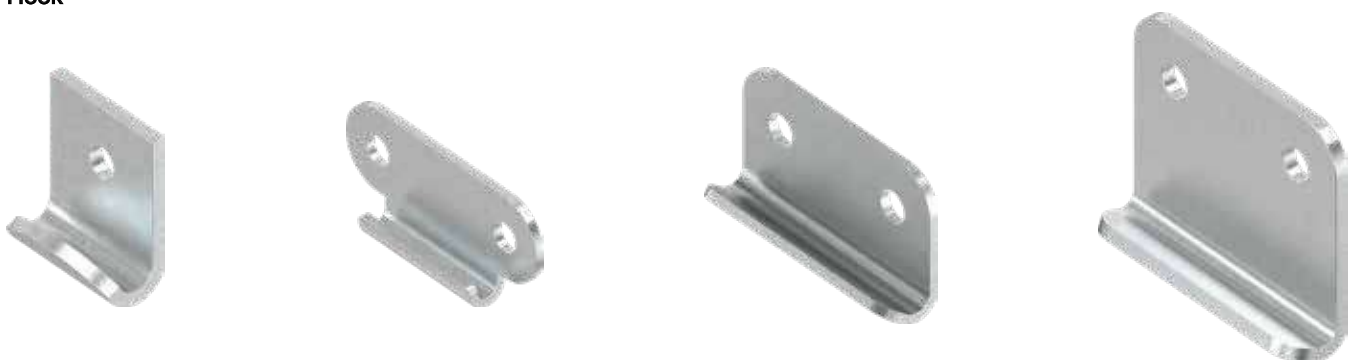
# Toggle latches / Cylinder quarter turns

## Extract from the special catalogue

### Toggle latches



### Hook





## Cylinder quarter turns



All toggle latches and cylinder quarter turns as well as other products can be found in the special catalogs of STRENGER GmbH:



**STRENGER**  
Cylinder quarter turns



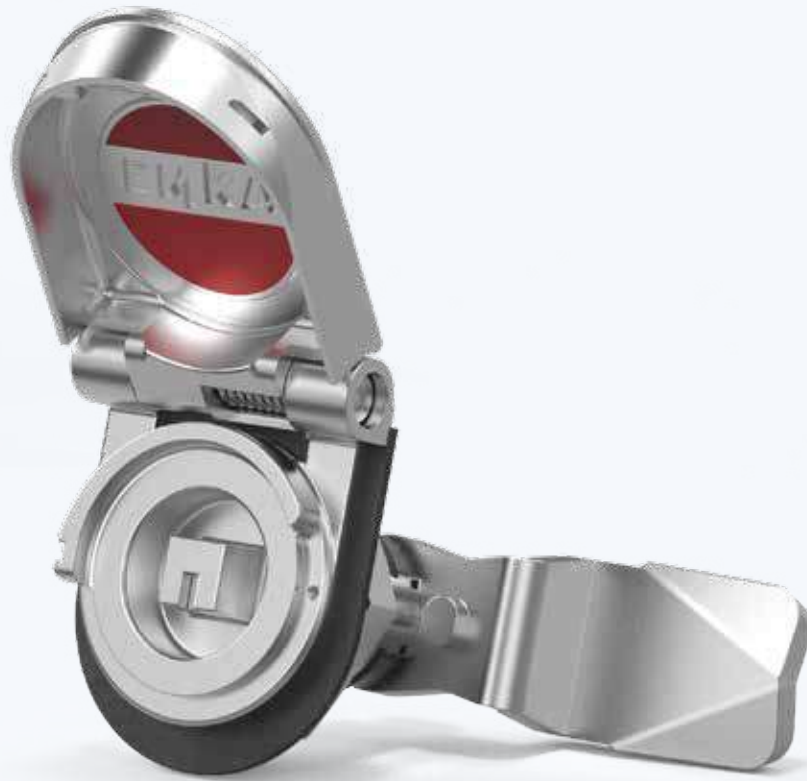
**STRENGER**  
Toggle latches and handles

Download



# Special catalogue

## Railway vehicles



All products for railway vehicles can be found in our 140-page special catalogue:

**Ingenious Locking Technology for the Railway Industry**



**Download**



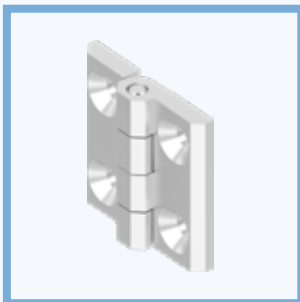
# Content



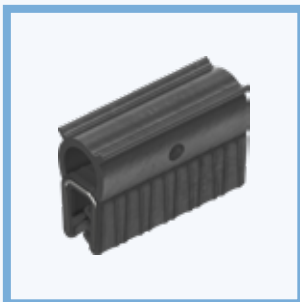
## 1 Locks and Latches



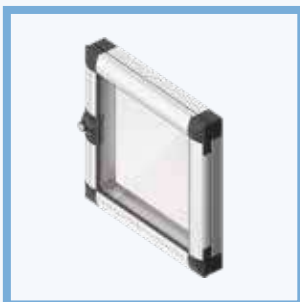
## 2 Locking systems



## 3 Hinges



## 4 Sealing Profiles and Edge Protection



## 5 Accessories

# Products for railway vehicles

## Extract from the special catalogue

### Compression latch with optical opening indicator

- Opening indicator through upright cover, optionally with red pad printing
- When the compression latch is open, the cover stops at approx. 90°
- Cover can be opened up to 180° if required
- Compression distance: 6 mm
- Fire protection tested acc. to DIN EN 45545-2, E30
- Tamper and vibration proof acc. to DIN EN 61373
- Protection class IP 69K



### Hybrid compression latch

- Combination of stainless steel and aluminum
- Weight savings approx. 30%
- Attractive price advantages
- Fire protection tested acc. to DIN EN 45545-03, E20
- Designed to be vibration-proof acc. to DIN EN 61373
- Protection class IP 65
- Various inserts available (square, triangular, railway, etc.)



### Stainless steel compression latch with red - green marking

- Insert and head sharpened and high polished available
- Tamper and vibration-proof
- Right-hand and left-hand version available
- Red - green marking
- Can be combined with dust cap



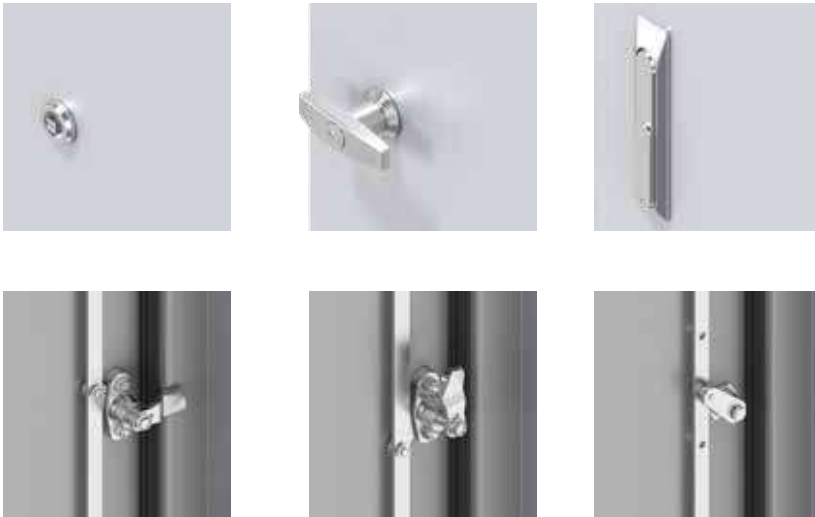
### Flat swinghandle with locking set

- Flat design
- Easy exchangeable locking unit inserts (locking sets)
- Suitable for standard cut out
- Pre-assembled swinghandle and dish
- Permanent magnet holds the cylinder cover
- Integrated scratch protection prevents surface damage (handle / dish)
- Swinghandle, locking sets and adapter for cam made of zinc die
- Patent submitted



## Compression latch system for swinghandles and quarter turns

- Compression function
- Latch and cut out independent for compression latch system
- Corner guide can be used for additional latches in transverse installation
- High closing comfort
- Patented



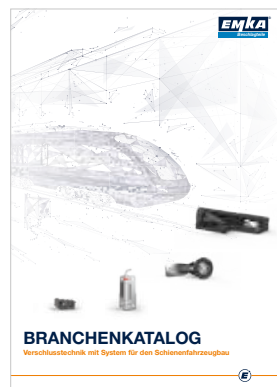
## Fire protection seals - also as ring, corner, frame

- Flame retardant for more safety
- Profile geometry also individually according to customer requirements
- Readily customized frames and rings according to customer specifications possible
- Reliable top quality from in-house production in Europe



All products for railway vehicles can be found in our 140-page special catalogue:

### Ingenious Locking Technology for the Railway Industry



Download



# Special catalogue

## HVACR



You can find all products for the HVACR industry in our 120-page special catalogue:

**Ingenious Locking Technology for HVACR systems according to VDI 6022**



Download



# Content



1 Locks and Latches



2 Hinges



3 Seals



4 Accessories

# Products for the HVACR sector

## Extract from the special catalogue

### Modular locking system

- New modular handle with ergonomic design
- Suitable for doors opening inwards and outwards
- Suitable for various door thicknesses (25 - 110 mm)
- Fits 2 standard cut outs (13 mm, 19 mm)
- Interchangeable locking sets for external or internal locking (blind plug, round cylinder, square, other inserts on request)
- Adjustable roller cam
- Adjustable eccentric roller
- Removable handle, e.g. for transport
- Meets the industry-specific national and international standards
- Conforms with the entire EMKA program
- Material: Polyamide with glass fibre (VDI 6022 / ISO 846 compliant materials)
- Air Tightness class L1-L3 possible
- Protected design



### Modular door lock with inside handle

- New modular locking system especially for use on large doors (>1.6 m door height)
- Various inserts and handle options in combination with different cams possible (stepped cam, pressure relief cam, etc.)
- System for various door thicknesses available (50 mm - 60 mm)
- Also available as a version without inside handle
- VDI 6022 / ISO 846 compliant materials on the inside of the door



### 3D Unit connector

- 3D positioning through spherical shaping with max.
  - X-axis 7 mm
  - Y-axis 3 mm
  - Z-axis 5 mm
- Fixing by M6 cylinder screws or riveted bolts possible
- Cylinder screw included
- Industry standard mounting dimensions
- Covering cap optionally available
- VDI 6022 / ISO 846 compliant materials





## Latch-Hinge

- When the door is closed, the latch is adjustable (3 mm) to achieve perfect alignment
- The favourable pivot point of the handle makes a seal compression of 5 mm possible using low actuation forces
- Door or panel can be removed by unlatching the handles on both sides
- 3D adjustable (tolerance compensation)
- Latch hinge can be mounted as one piece with the door / flap in place
- Right or left hinged
- Hinge 180° opening angle
- Optional available with safety function "pressure relief"



Compression Latch-Hinge small



Compression Latch-Hinge medium



Compression Latch-Hinge large



### Seals according to VDI 6022 - also as ring, corner, frame

- Higher functionality when sealed with sponge rubber in the hose area
- Do not provide any breeding ground for microorganisms
- Easy to clean
- Moisture resistant
- Odourless



You can find all products for the HVACR industry in our 120-page special catalogue:

### Ingenious Locking Technology for HVACR systems according to VDI 6022



Download



# Special catalogue

## Commercial vehicles / Caravan



All products for commercial vehicles / caravan can be found in our 164-page special catalogue:

**Ingenious Locking Technology  
for Mobile Homes, Buses and Trailers**



Download



# Content



## 1 Locks and Latches



## 2 Hinges



## 3 Seals



## 4 Accessories

# Products for Commercial vehicles / Caravan

## Extract from the special catalogue

### Compression latch 'Double Red'

- Compression latch with two visual opening indicators in red
- Two new, cost-optimized variants of the well-known compression latch 'Double-Red' by omitting of the opening indicators
  - ▶ Variant in white for a special look
  - ▶ Variant in black made of ECO material
- Rotary handle can only be locked in the closed position
- Robust solution for many years of use
- Tamper and vibration-proof acc. to DIN EN 61373
- Patented



Basic  
ECO black



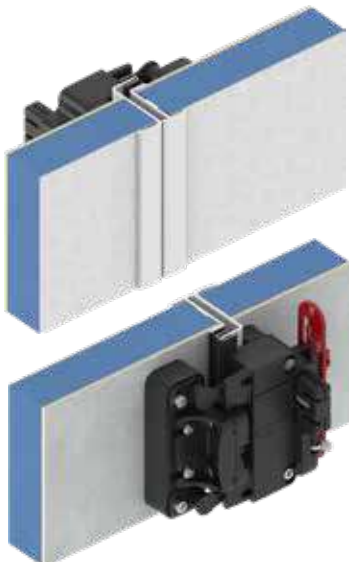
Basic white  
(UV-stabilised)



'Double Red'  
with visual opening indicators

### Retractable T-handle

- Flush lock with modern design
- Ergonomic haptics and comfortable handle size (can also be operated with gloves)
- Optical opening indicator by handle position
- Wide range of locking sets (standard cam, roller cam, hook cam, rotary latch, etc.)
- Numerous, easily exchangeable inserts (round cylinder, square, double bit, slot, etc.)
- Compression function
- Suitable for all common door thicknesses
- Protection class IP 65 and optional dust cap for round cylinder



### ePush Lock / Electromechanical flap lock

- Locking solution without visible components on the outside
- Opening and closing by pressing the flap / door
- No interruption of the outer sealing due to mounting on the inside
- Integrated emergency opening on the locking element
- Optional connection to the central locking system
- Usable as a building block for the alarm monitoring of the flap
- Distance adapter & protective cover (optionally available)
- German Innovation Award winner 2019
- Patented



### 180° Gear hinge

- High quality gear hinge
- Economic structure and design
- Compact construction
- Concealed, not visible
- Opening angle 180°
- Right and left usable
- For doors / flaps up to 40 kg (when using 4 hinges)
- System related, small clearance
- Fixing function optional
- Maintenance-free
- Patented

### Emergency hammer

- Emergency hammer in three variants:
  - Emergency hammer Basic
  - Emergency hammer with hand protection
  - Emergency hammer with hand protection and belt cutter
- Holder in two versions:
  - Basic
  - Holder with hidden anti-theft protection
- Uniform cut out of the holders (Basic and with integrated anti-theft protection)
- Glass fibre reinforced plastic
- Hardened steel tip, destroys tempered and laminated glass as well as insulating glass



### Seals - also as ring, corner, frame

- More than 1,500 standard sealing profiles
- Profile geometry also individually according to customer requirements
- Readily customized frames and rings according to customer specifications possible
- Reliable top quality from in-house production in Europe



All products for commercial vehicles / caravan can be found in our 164-page special catalogue:

#### Ingenious Locking Technology for Mobile Homes, Buses and Trailers



## Beschlagteile

Info

1 Quarter turns

2 Rod controls

3 Locking systems

4 Hinges

5 Seals

6 Handles

7 Aluminium windows

8 Miscellaneous

9 Special catalogues

Index

| Part no.   | Catalogue page | Part no. | Catalogue page | Part no.      | Catalogue page | Part no.      | Catalogue page |
|------------|----------------|----------|----------------|---------------|----------------|---------------|----------------|
| 000039     | 8E-140         | 1000-22  | 1B-820         | 1000-53       | 3YB-440        | 1000-277-01JB | 1C-125         |
| 000041     | 8E-140         | 1000-22  | 1C-120         | 1000-53       | 3ZD-240        | 1000-277-01JC | 8E-160         |
| 000042     | 8E-140         | 1000-22  | 3ZD-240        | 1000-54       | 1B-820         | 1000-277-01PI | 8E-160         |
| 000048     | 8E-140         | 1000-23  | 1B-140         | 1000-54       | 1C-120         | 1000-277-02JB | 8E-160         |
| 000104     | 3ZA-340        | 1000-23  | 1B-160         | 1000-54       | 3YA-820        | 1000-277-02JC | 8E-160         |
| 000154     | 8E-140         | 1000-23  | 1B-360         | 1000-54       | 3YA-840        | 1000-277-03JB | 8E-160         |
|            |                | 1000-23  | 1B-760         | 1000-54       | 3YB-440        | 1000-277-03JC | 8E-160         |
| 1000-02-JB | 8E-140         | 1000-23  | 1B-840         | 1000-54       | 3ZD-240        | 1000-277-04JB | 8E-160         |
| 1000-02-PF | 8E-140         | 1000-23  | 1B-860         | 1000-55       | 1B-820         | 1000-277-04JB | 1C-360         |
| 1000-02-SI | 8E-140         | 1000-23  | 1B-940         | 1000-55       | 1C-120         | 1000-277-04JC | 8E-160         |
| 1000-04    | 2A-120         | 1000-23  | 1C-320         | 1000-55       | 3YA-820        | 1000-277-05JB | 8E-160         |
| 1000-05    | 2A-120         | 1000-23  | 2A-120         | 1000-55       | 3YA-840        | 1000-277-05JC | 8E-160         |
| 1000-06    | 2A-120         | 1000-24  | 1B-140         | 1000-55       | 3YB-440        | 1000-277-06JB | 8E-160         |
| 1000-07    | 2A-120         | 1000-24  | 1B-160         | 1000-55       | 3ZD-240        | 1000-277-07JB | 8E-160         |
| 1000-08    | 2A-120         | 1000-24  | 1B-360         | 1000-56       | 1B-820         | 1000-277-09JB | 8E-160         |
| 1000-09    | 2A-120         | 1000-24  | 1B-760         | 1000-56       | 1C-120         | 1000-277-11JB | 8E-160         |
| 1000-10    | 1C-120         | 1000-24  | 1B-840         | 1000-56       | 3YA-820        | 1000-277-11JC | 8E-160         |
| 1000-10    | 3YA-820        | 1000-24  | 1B-860         | 1000-56       | 3YA-840        | 1000-277-13JC | 8E-160         |
| 1000-10    | 3YA-840        | 1000-24  | 2A-120         | 1000-56       | 3YB-440        | 1000-277-21JB | 8E-160         |
| 1000-10    | 3YB-440        | 1000-25  | 1B-820         | 1000-56       | 3ZD-240        | 1000-293      | 3YB-440        |
| 1000-10    | 3ZD-240        | 1000-25  | 1C-120         | 1000-59       | 2A-120         | 1000-294      | 3YB-440        |
| 1000-11    | 1B-820         | 1000-25  | 3YA-820        | 1000-61       | 1C-160         | 1000-295      | 3YB-440        |
| 1000-11    | 1C-120         | 1000-25  | 3YA-840        | 1000-64       | 2A-120         | 1000-296      | 3YB-440        |
| 1000-11    | 3YA-820        | 1000-25  | 3YB-440        | 1000-91       | 1C-160         | 1000-297      | 3YB-440        |
| 1000-11    | 3YA-840        | 1000-25  | 3ZD-240        | 1000-93       | 1C-160         | 1000-298      | 3YB-440        |
| 1000-11    | 3YB-440        | 1000-26  | 1B-820         | 1000-97-01    | 1C-320         | 1000-299      | 3YB-440        |
| 1000-11    | 3ZD-240        | 1000-26  | 1C-120         | 1000-97-02    | 1C-340         | 1000-300      | 3YB-440        |
| 1000-12    | 1B-820         | 1000-26  | 3YA-820        | 1000-111-JB   | 8E-140         | 1000-301      | 3YB-440        |
| 1000-12    | 1C-120         | 1000-26  | 3YA-840        | 1000-112      | 1B-340         | 1000-302      | 3YB-440        |
| 1000-12    | 3YA-820        | 1000-26  | 3YB-440        | 1000-112      | 1B-820         | 1000-303      | 3YB-440        |
| 1000-12    | 3YA-840        | 1000-26  | 3ZD-240        | 1000-112      | 1C-120         | 1000-304      | 3YB-440        |
| 1000-12    | 3YB-440        | 1000-27  | 1B-340         | 1000-112      | 3ZD-240        | 1000-305      | 3YB-440        |
| 1000-12    | 3ZD-240        | 1000-27  | 1B-820         | 1000-113      | 1B-340         | 1000-306      | 3YB-440        |
| 1000-13    | 1B-340         | 1000-27  | 1C-120         | 1000-113      | 1B-820         | 1000-307      | 3YB-440        |
| 1000-13    | 1B-820         | 1000-27  | 3YA-820        | 1000-113      | 1C-120         | 1000-308      | 3YB-440        |
| 1000-13    | 1C-120         | 1000-27  | 3YA-840        | 1000-113      | 3ZD-240        | 1000-309      | 3YB-440        |
| 1000-13    | 3YA-820        | 1000-27  | 3YB-440        | 1000-114      | 1C-620         | 1000-310      | 3YB-440        |
| 1000-13    | 3YA-840        | 1000-27  | 3ZD-240        | 1000-114      | 3ZB-120        | 1000-311      | 3YB-440        |
| 1000-13    | 3YB-440        | 1000-27  | 4A-280         | 1000-115      | 1C-620         | 1000-352      | 2A-120         |
| 1000-13    | 3ZD-240        | 1000-28  | 1B-340         | 1000-115      | 3ZB-120        | 1000-358      | 1C-320         |
| 1000-14    | 1B-340         | 1000-28  | 1B-820         | 1000-127      | 1B-240         | 1000-358-01   | 1C-320         |
| 1000-14    | 1B-820         | 1000-28  | 1C-120         | 1000-179      | 1C-120         | 1000-359      | 1C-320         |
| 1000-14    | 1C-120         | 1000-28  | 3YA-820        | 1000-179      | 3ZD-240        | 1000-386-18   | 1B-160         |
| 1000-14    | 3YA-820        | 1000-28  | 3YA-840        | 1000-179-PD   | 1C-120         | 1000-386-18   | 1C-120         |
| 1000-14    | 3YA-840        | 1000-28  | 3YB-440        | 1000-179-PD   | 3ZD-240        | 1000-386-20   | 1B-160         |
| 1000-14    | 3YB-440        | 1000-28  | 3ZD-240        | 1000-180      | 1C-120         | 1000-386-20   | 1C-120         |
| 1000-14    | 3ZD-240        | 1000-33  | 1C-620         | 1000-180      | 3ZD-240        | 1000-386-22   | 1B-160         |
| 1000-15    | 1B-340         | 1000-33  | 3ZB-120        | 1000-180-PD   | 1C-120         | 1000-386-22   | 1C-120         |
| 1000-15    | 1B-820         | 1000-34  | 1C-620         | 1000-180-PD   | 3ZD-240        | 1000-386-24   | 1B-160         |
| 1000-15    | 1C-120         | 1000-34  | 3ZB-120        | 1000-211-L    | 1C-620         | 1000-386-24   | 1C-120         |
| 1000-15    | 3YA-820        | 1000-35  | 1C-620         | 1000-211-L    | 3ZB-120        | 1000-386-28   | 1B-160         |
| 1000-15    | 3YA-840        | 1000-35  | 3ZB-120        | 1000-221      | 1C-120         | 1000-386-28   | 1C-120         |
| 1000-15    | 3YB-440        | 1000-36  | 1C-620         | 1000-221      | 3ZD-240        | 1000-386-30   | 1B-160         |
| 1000-15    | 3ZD-240        | 1000-36  | 3ZB-120        | 1000-221-PD   | 1C-120         | 1000-386-30   | 1C-120         |
| 1000-16    | 1B-340         | 1000-37  | 1C-620         | 1000-221-PD   | 3ZD-240        | 1000-387      | 1B-240         |
| 1000-16    | 1B-820         | 1000-37  | 3ZB-120        | 1000-223      | 1C-120         | 1000-456-AA   | 1C-360         |
| 1000-16    | 1C-120         | 1000-38  | 1C-620         | 1000-223      | 3ZD-240        | 1000-456-JB   | 1C-360         |
| 1000-16    | 3YA-820        | 1000-38  | 3ZB-120        | 1000-223-PD   | 1C-120         | 1000-460      | 1C-340         |
| 1000-16    | 3YA-840        | 1000-39  | 1C-620         | 1000-223-PD   | 3ZD-240        | 1000-476      | 1C-137         |
| 1000-16    | 3YB-440        | 1000-39  | 3ZB-120        | 1000-225      | 1C-120         | 1000-477      | 1C-137         |
| 1000-16    | 3ZD-240        | 1000-48  | 1C-180         | 1000-225      | 3ZD-240        | 1000-478      | 1C-137         |
| 1000-17    | 1B-340         | 1000-49  | 1C-180         | 1000-225-PD   | 1C-120         | 1000-488-AA   | 8A-222         |
| 1000-17    | 1B-820         | 1000-50  | 1B-340         | 1000-225-PD   | 3ZD-240        | 1000-488-AA   | 8A-224         |
| 1000-17    | 1C-120         | 1000-50  | 1B-820         | 1000-227      | 1C-120         | 1000-488-AA   | 8A-230         |
| 1000-17    | 3YA-820        | 1000-50  | 1C-120         | 1000-227      | 3ZD-240        | 1000-488-AA   | 8A-232         |
| 1000-17    | 3YA-840        | 1000-50  | 3YA-820        | 1000-227-PD   | 1C-120         | 1000-510-01AA | 1C-170         |
| 1000-17    | 3YB-440        | 1000-50  | 3YA-840        | 1000-227-PD   | 3ZD-240        | 1000-526-AA   | 3ZB-180        |
| 1000-17    | 3ZD-240        | 1000-50  | 3YB-440        | 1000-228      | 1C-120         | 1000-551      | 1B-180         |
| 1000-18    | 1B-340         | 1000-50  | 3ZD-240        | 1000-228      | 3ZD-240        | 1000-551-01   | 1B-180         |
| 1000-18    | 1B-820         | 1000-51  | 1B-820         | 1000-228-PD   | 1C-120         | 1000-551-02   | 1B-180         |
| 1000-18    | 1C-120         | 1000-51  | 1C-120         | 1000-228-PD   | 3ZD-240        | 1000-556-KA   | 1C-125         |
| 1000-18    | 3ZD-240        | 1000-51  | 3YA-820        | 1000-229      | 1C-120         | 1000-590      | 1B-170         |
| 1000-19    | 1B-340         | 1000-51  | 3YA-840        | 1000-229      | 3ZD-240        | 1000-590-CX   | 1B-170         |
| 1000-19    | 1B-820         | 1000-51  | 3YB-440        | 1000-229-PD   | 1C-120         | 1000-591      | 1B-170         |
| 1000-19    | 1C-120         | 1000-51  | 3ZD-240        | 1000-229-PD   | 3ZD-240        | 1000-591-CX   | 1B-170         |
| 1000-19    | 3ZD-240        | 1000-52  | 1B-820         | 1000-230      | 1C-120         | 1000-593      | 1B-170         |
| 1000-20    | 1B-340         | 1000-52  | 1C-120         | 1000-230      | 3ZD-240        | 1000-593-CX   | 1B-170         |
| 1000-20    | 1B-820         | 1000-52  | 3YA-820        | 1000-230-PD   | 1C-120         | 1000-594      | 1B-170         |
| 1000-20    | 1C-120         | 1000-52  | 3YA-840        | 1000-230-PD   | 3ZD-240        | 1000-594-CX   | 1B-170         |
| 1000-20    | 3ZD-240        | 1000-52  | 3YB-440        | 1000-232      | 1C-120         | 1000-595      | 1B-170         |
| 1000-21    | 1B-340         | 1000-52  | 3ZD-240        | 1000-244      | 1B-240         | 1000-595-CX   | 1B-170         |
| 1000-21    | 1B-820         | 1000-53  | 1B-820         | 1000-264      | 1C-380         | 1000-597      | 1B-170         |
| 1000-21    | 1C-120         | 1000-53  | 1C-120         | 1000-265      | 1C-380         | 1000-597-CX   | 1B-170         |
| 1000-21    | 3ZD-240        | 1000-53  | 3YA-820        | 1000-266      | 1C-380         | 1000-598      | 1B-170         |
| 1000-22    | 1B-340         | 1000-53  | 3YA-840        | 1000-277-01JB | 8E-160         | 1000-598-CX   | 1B-170         |

| Part no.          | Catalogue page | Part no.   | Catalogue page | Part no.     | Catalogue page | Part no.      | Catalogue page |
|-------------------|----------------|------------|----------------|--------------|----------------|---------------|----------------|
| 1000-599          | 1B-170         | 1000-U29   | 3YB-440        | 1000-U114    | 1B-580         | 1000-U216-01  | 1B-320         |
| 1000-599-CX       | 1B-170         | 1000-U30   | 1C-120         | 1000-U115    | 1B-580         | 1000-U218-01  | 1B-320         |
| 1000-601          | 1B-170         | 1000-U30   | 3YB-440        | 1000-U116    | 1B-560         | 1000-U219     | 1B-140         |
| 1000-601-CX       | 1B-170         | 1000-U31   | 1C-120         | 1000-U117    | 1B-560         | 1000-U219-G   | 1B-140         |
| 1000-603          | 1B-170         | 1000-U31   | 3YB-440        | 1000-U118    | 1B-560         | 1000-U220     | 1B-140         |
| 1000-990          | 1B-120         | 1000-U32   | 1C-120         | 1000-U119    | 1B-560         | 1000-U220-G   | 1B-140         |
| 1000-990          | 1B-140         | 1000-U32   | 3YB-440        | 1000-U120    | 1B-560         | 1000-U221     | 1B-140         |
| 1000-990          | 1B-840         | 1000-U33   | 1C-120         | 1000-U121    | 1B-560         | 1000-U221-G   | 1B-140         |
| 1000-990          | 1B-860         | 1000-U33   | 3YB-440        | 1000-U122    | 1B-560         | 1000-U222     | 1B-140         |
| 1000-991          | 1B-140         | 1000-U34   | 1C-120         | 1000-U123    | 1B-560         | 1000-U222-G   | 1B-140         |
| 1000-991          | 1B-840         | 1000-U34   | 3YB-440        | 1000-U124    | 1B-560         | 1000-U223     | 1B-140         |
| 1000-991          | 1B-860         | 1000-U35   | 1C-120         | 1000-U125    | 1B-560         | 1000-U223-G   | 1B-140         |
| 1000-5043-SI      | 1C-120         | 1000-U35   | 3YB-440        | 1000-U126    | 1B-560         | 1000-U224     | 1B-140         |
| 1000-5046         | 1B-160         | 1000-U36   | 1C-120         | 1000-U127    | 1B-560         | 1000-U224-G   | 1B-140         |
| 1000-5046         | 1C-120         | 1000-U36   | 3YB-440        | 1000-U128    | 1B-560         | 1000-U225     | 1B-140         |
| 1000-5046         | 3YA-820        | 1000-U37   | 1C-120         | 1000-U129    | 1B-560         | 1000-U226     | 1B-140         |
| 1000-5046         | 3YA-840        | 1000-U37   | 3YB-440        | 1000-U130    | 1B-560         | 1000-U227     | 1B-140         |
| 1000-5046-SI      | 1C-120         | 1000-U38   | 1C-120         | 1000-U131    | 1B-560         | 1000-U228     | 1B-140         |
| 1000-5119         | 1B-160         | 1000-U38   | 3YB-440        | 1000-U132    | 1B-560         | 1000-U229     | 1B-140         |
| 1000-5119         | 1C-120         | 1000-U39   | 1C-120         | 1000-U133    | 1B-560         | 1000-U230     | 1B-140         |
| 1000-5119         | 3YA-820        | 1000-U39   | 3YB-440        | 1000-U134    | 1B-140         | 1000-U231     | 1B-240         |
| 1000-5119         | 3YA-840        | 1000-U40   | 1C-120         | 1000-U135    | 1B-140         | 1000-U232     | 1B-240         |
| 1000-5161         | 1B-160         | 1000-U40   | 3YB-440        | 1000-U136    | 1B-140         | 1000-U233     | 1B-240         |
| 1000-5161         | 1C-120         | 1000-U41   | 1C-120         | 1000-U137    | 1B-140         | 1000-U234     | 1B-240         |
| 1000-5161         | 3YA-820        | 1000-U41   | 3YB-440        | 1000-U138    | 1B-140         | 1000-U235-N   | 1C-180         |
| 1000-5161         | 3YA-840        | 1000-U42   | 1C-120         | 1000-U139    | 1C-120         | 1000-U235-NPH | 1C-180         |
| 1000-5164         | 1B-160         | 1000-U42   | 3YB-440        | 1000-U140    | 1C-120         | 1000-U236-N   | 1C-180         |
| 1000-5164         | 1C-120         | 1000-U43   | 1C-120         | 1000-U141    | 1C-620         | 1000-U236-NPH | 1C-180         |
| 1000-5164         | 3YA-820        | 1000-U43   | 3YB-440        | 1000-U141    | 1C-620         | 1000-U237     | 1B-540         |
| 1000-5164         | 3YA-840        | 1000-U44   | 1C-120         | 1000-U141    | 3ZB-120        | 1000-U238     | 1B-540         |
|                   |                | 1000-U44   | 3YB-440        | 1000-U142    | 1B-140         | 1000-U239     | 1B-540         |
| 1000-SU324        | 1B-222         | 1000-U45   | 1B-140         | 1000-U144-L  | 1C-620         | 1000-U240     | 1B-540         |
| 1000-SU720        | 1B-222         | 1000-U45-G | 1B-140         | 1000-U144-L  | 3ZB-120        | 1000-U241     | 1B-540         |
| 1000-SU724        | 1B-222         | 1000-U46   | 1B-140         | 1000-U149    | 1B-540         | 1000-U242     | 1B-540         |
| 1000-SU725        | 1B-222         | 1000-U46-D | 1B-120         | 1000-U150    | 1B-540         | 1000-U246     | 1B-140         |
| 1000-SU730        | 1B-222         | 1000-U47   | 1B-140         | 1000-U150-PH | 1B-540         | 1000-U247     | 1B-240         |
| 1000-SU733        | 1B-222         | 1000-U47-G | 1B-140         | 1000-U151    | 1B-540         | 1000-U248     | 1B-140         |
| 1000-SU735        | 1B-222         | 1000-U49   | 1C-620         | 1000-U151-PH | 1B-540         | 1000-U249     | 1B-140         |
| 1000-SU736        | 1B-222         | 1000-U49   | 1C-620         | 1000-U152    | 1B-540         | 1000-U250     | 1B-240         |
| 1000-SU752        | 1B-222         | 1000-U49   | 3ZB-120        | 1000-U153    | 1B-540         | 1000-U252-01  | 1B-320         |
| 1000-SU861        | 1B-222         | 1000-U51   | 1B-140         | 1000-U154    | 1B-540         | 1000-U254-01  | 1B-320         |
| 1000-SU925-LIPH   | 1B-225         | 1000-U54   | 1B-140         | 1000-U155    | 1B-140         | 1000-U256-01  | 1B-320         |
| 1000-SU925-REPH   | 1B-225         | 1000-U54-G | 1B-140         | 1000-U155-D  | 1B-120         | 1000-U258-01  | 1B-320         |
| 1000-SU925-01REPH | 1B-225         | 1000-U55   | 1B-140         | 1000-U155-G  | 1B-140         | 1000-U260-01  | 1B-320         |
| 1000-SU925-02LIPH | 1B-225         | 1000-U55-G | 1B-140         | 1000-U157    | 1B-240         | 1000-U262-01  | 1B-320         |
| 1000-SU925-03LIPH | 1B-225         | 1000-U56   | 1B-140         | 1000-U158    | 1B-240         | 1000-U264-01  | 1B-320         |
| 1000-SU925-03REPH | 1B-225         | 1000-U56-G | 1B-140         | 1000-U159    | 1B-240         | 1000-U266-01  | 1B-320         |
| 1000-SU1167       | 1B-222         | 1000-U57   | 1B-580         | 1000-U160    | 1B-240         | 1000-U268-01  | 1B-320         |
| 1000-SU1186-02LI  | 1B-225         | 1000-U58   | 1B-580         | 1000-U164    | 1B-140         | 1000-U269     | 1B-540         |
|                   |                | 1000-U59   | 1B-580         | 1000-U164    | 1B-240         | 1000-U270     | 1B-540         |
| 1000-U1           | 1B-140         | 1000-U60   | 1B-560         | 1000-U165    | 1B-140         | 1000-U271     | 1B-540         |
| 1000-U2           | 1B-140         | 1000-U61   | 1B-560         | 1000-U165    | 1B-240         | 1000-U272     | 1B-540         |
| 1000-U3           | 1B-140         | 1000-U62   | 1B-560         | 1000-U166    | 1B-140         | 1000-U273     | 1B-540         |
| 1000-U4           | 1B-140         | 1000-U63   | 1C-120         | 1000-U166    | 1B-240         | 1000-U274     | 1B-540         |
| 1000-U5           | 1B-140         | 1000-U64   | 1C-120         | 1000-U167    | 1C-120         | 1000-U275     | 1B-540         |
| 1000-U6           | 1B-140         | 1000-U65   | 1B-140         | 1000-U167    | 3YB-440        | 1000-U276     | 1B-540         |
| 1000-U7           | 1B-140         | 1000-U66   | 1B-140         | 1000-U168    | 1B-140         | 1000-U277     | 1B-540         |
| 1000-U7-G         | 1B-140         | 1000-U67   | 1B-140         | 1000-U169    | 1B-140         | 1000-U278     | 1B-540         |
| 1000-U9           | 1B-560         | 1000-U68   | 1B-140         | 1000-U182    | 1B-140         | 1000-U279     | 1B-540         |
| 1000-U10          | 1B-560         | 1000-U69   | 1B-140         | 1000-U183    | 1B-140         | 1000-U280     | 1B-540         |
| 1000-U10-PH       | 1B-560         | 1000-U78   | 1B-140         | 1000-U184-N  | 1B-140         | 1000-U281     | 1B-540         |
| 1000-U11          | 1B-560         | 1000-U89   | 1B-620         | 1000-U184-N2 | 1B-120         | 1000-U282     | 1B-540         |
| 1000-U11-PH       | 1B-560         | 1000-U90   | 1B-620         | 1000-U185-N  | 1B-140         | 1000-U283     | 1B-540         |
| 1000-U12          | 1C-180         | 1000-U91   | 1B-620         | 1000-U185-N2 | 1B-120         | 1000-U284     | 1B-540         |
| 1000-U13          | 1B-140         | 1000-U92   | 1B-620         | 1000-U186-N  | 1B-140         | 1000-U285     | 1B-540         |
| 1000-U14          | 1B-580         | 1000-U93   | 1B-620         | 1000-U186-N2 | 1B-120         | 1000-U286     | 1B-540         |
| 1000-U15          | 1B-580         | 1000-U94   | 1B-620         | 1000-U187-N  | 1B-140         | 1000-U315-N   | 1C-180         |
| 1000-U15-PH       | 1B-580         | 1000-U95   | 1B-620         | 1000-U187-N2 | 1B-120         | 1000-U316-N   | 1C-180         |
| 1000-U16          | 1B-580         | 1000-U96   | 1B-140         | 1000-U188-N  | 1B-140         | 1000-U317     | 1B-140         |
| 1000-U16-PH       | 1B-580         | 1000-U98   | 1B-580         | 1000-U188-N2 | 1B-120         | 1000-U318     | 1B-140         |
| 1000-U17          | 1B-140         | 1000-U99   | 1B-580         | 1000-U189    | 1B-620         | 1000-U322     | 1B-140         |
| 1000-U18          | 1B-140         | 1000-U100  | 1B-580         | 1000-U194    | 1B-140         | 1000-U323     | 1B-140         |
| 1000-U20          | 1B-140         | 1000-U101  | 1B-580         | 1000-U195    | 1B-140         | 1000-U324     | 1B-140         |
| 1000-U21          | 1C-120         | 1000-U102  | 1B-580         | 1000-U196-N  | 1B-140         | 1000-U325     | 1B-140         |
| 1000-U22          | 1C-120         | 1000-U103  | 1B-580         | 1000-U196-N2 | 1B-120         | 1000-U326     | 1B-140         |
| 1000-U23          | 1C-120         | 1000-U104  | 1B-580         | 1000-U197    | 1B-140         | 1000-U327     | 1B-140         |
| 1000-U24          | 1C-120         | 1000-U105  | 1B-580         | 1000-U198    | 1B-140         | 1000-U328     | 1B-140         |
| 1000-U25          | 1C-120         | 1000-U106  | 1B-580         | 1000-U198    | 1B-240         | 1000-U329     | 1B-140         |
| 1000-U26          | 1C-120         | 1000-U107  | 1B-580         | 1000-U202-01 | 1B-320         | 1000-U330     | 1B-140         |
| 1000-U26          | 3YB-440        | 1000-U108  | 1B-580         | 1000-U204-01 | 1B-320         | 1000-U331     | 1B-140         |
| 1000-U27          | 1C-120         | 1000-U109  | 1B-580         | 1000-U206-01 | 1B-320         | 1000-U332     | 1B-140         |
| 1000-U27          | 3YB-440        | 1000-U110  | 1B-580         | 1000-U208-01 | 1B-320         | 1000-U333     | 1B-140         |
| 1000-U28          | 1C-120         | 1000-U111  | 1B-580         | 1000-U210-01 | 1B-320         | 1000-U334     | 1B-140         |
| 1000-U28          | 3YB-440        | 1000-U112  | 1B-580         | 1000-U212-01 | 1B-320         | 1000-U335     | 1B-140         |
| 1000-U29          | 1C-120         | 1000-U113  | 1B-580         | 1000-U214-01 | 1B-320         | 1000-U336     | 1B-140         |

|   |                    |
|---|--------------------|
| 1 | Quarter turns      |
| 2 | Rod controls       |
| 3 | Locking systems    |
| 4 | Hinges             |
| 5 | Seals              |
| 6 | Handles            |
| 7 | Aluminium windows  |
| 8 | Miscellaneous      |
| 9 | Special catalogues |

## Beschlagteile

Info

1 Quarter turns

2 Rod controls

3 Locking systems

4 Hinges

5 Seals

6 Handles

7 Aluminium windows

8 Miscellaneous

9 Special catalogues

Index

| Part no.  | Catalogue page | Part no.       | Catalogue page | Part no.     | Catalogue page | Part no.     | Catalogue page |
|-----------|----------------|----------------|----------------|--------------|----------------|--------------|----------------|
| 1000-U337 | 1B-560         | 1000-U423      | 1B-620         | 1000-U545-27 | 3YB-420        | 1000-U616    | 1B-580         |
| 1000-U338 | 1B-560         | 1000-U426      | 1B-860         | 1000-U545-27 | 3YC-120        | 1000-U617    | 1B-580         |
| 1000-U339 | 1B-560         | 1000-U427      | 1B-860         | 1000-U545-27 | 3YC-140        | 1000-U618    | 1B-580         |
| 1000-U340 | 1B-560         | 1000-U429-01   | 1B-680         | 1000-U545-29 | 3YB-420        | 1000-U619    | 1B-580         |
| 1000-U341 | 1B-560         | 1000-U429-01PH | 1B-680         | 1000-U545-29 | 3YC-120        | 1000-U620    | 1B-580         |
| 1000-U342 | 1B-560         | 1000-U431      | 1B-860         | 1000-U545-29 | 3YC-140        | 1000-U621    | 1B-580         |
| 1000-U343 | 1B-540         | 1000-U431-01   | 1B-860         | 1000-U545-31 | 3YB-420        | 1000-U622    | 1B-580         |
| 1000-U344 | 1B-540         | 1000-U431-PF   | 1B-860         | 1000-U545-31 | 3YC-120        | 1000-U623    | 1B-580         |
| 1000-U345 | 1B-540         | 1000-U432      | 1B-860         | 1000-U545-31 | 3YC-140        | 1000-U624    | 1B-580         |
| 1000-U346 | 1B-540         | 1000-U434      | 1B-620         | 1000-U545-35 | 3YB-420        | 1000-U625    | 1B-580         |
| 1000-U347 | 1B-540         | 1000-U435      | 1B-620         | 1000-U545-35 | 3YC-120        | 1000-U626    | 1B-580         |
| 1000-U348 | 1B-540         | 1000-U436      | 1B-680         | 1000-U545-35 | 3YC-140        | 1000-U627    | 1B-580         |
| 1000-U349 | 1B-760         | 1000-U436-PF   | 1B-680         | 1000-U545-38 | 3YB-420        | 1000-U628    | 1B-580         |
| 1000-U350 | 1B-760         | 1000-U437      | 1B-680         | 1000-U545-38 | 3YC-120        | 1000-U629    | 1B-580         |
| 1000-U351 | 1B-140         | 1000-U438      | 1B-680         | 1000-U545-38 | 3YC-140        | 1000-U630    | 1B-140         |
| 1000-U352 | 1B-140         | 1000-U439      | 1B-680         | 1000-U546    | 1B-560         | 1000-U631    | 1B-140         |
| 1000-U353 | 1B-580         | 1000-U499      | 1B-860         | 1000-U547    | 1B-560         | 1000-U632    | 3YB-420        |
| 1000-U354 | 1B-580         | 1000-U500      | 1B-860         | 1000-U548    | 1B-560         | 1000-U632    | 3YC-120        |
| 1000-U355 | 1B-580         | 1000-U501      | 1B-620         | 1000-U549    | 1B-560         | 1000-U632    | 3YC-140        |
| 1000-U356 | 1B-580         | 1000-U502      | 1B-620         | 1000-U550    | 1B-560         | 1000-U633    | 1B-540         |
| 1000-U357 | 1B-580         | 1000-U504      | 1B-140         | 1000-U551    | 1B-560         | 1000-U634    | 1B-540         |
| 1000-U358 | 1B-580         | 1000-U505      | 1B-140         | 1000-U552    | 1B-560         | 1000-U635    | 1B-540         |
| 1000-U359 | 1B-580         | 1000-U506      | 1B-140         | 1000-U553    | 1B-560         | 1000-U636    | 1B-540         |
| 1000-U360 | 1B-580         | 1000-U507      | 1B-140         | 1000-U554    | 1B-560         | 1000-U637    | 1B-540         |
| 1000-U361 | 1B-580         | 1000-U509      | 1B-140         | 1000-U555    | 1B-560         | 1000-U638    | 1B-540         |
| 1000-U362 | 1B-580         | 1000-U510      | 1B-140         | 1000-U556    | 1B-560         | 1000-U639    | 1B-540         |
| 1000-U363 | 1B-580         | 1000-U512      | 1B-540         | 1000-U557    | 1B-560         | 1000-U640    | 1B-540         |
| 1000-U364 | 1B-580         | 1000-U514      | 1B-540         | 1000-U558    | 1B-560         | 1000-U641    | 1B-540         |
| 1000-U365 | 1B-580         | 1000-U515      | 1B-540         | 1000-U559    | 1B-560         | 1000-U642    | 1B-540         |
| 1000-U366 | 1B-580         | 1000-U516      | 1B-540         | 1000-U560    | 1B-560         | 1000-U643    | 1B-540         |
| 1000-U367 | 1B-580         | 1000-U517      | 1B-540         | 1000-U561    | 1B-560         | 1000-U644    | 1B-540         |
| 1000-U368 | 1B-580         | 1000-U518      | 1B-540         | 1000-U562    | 1B-560         | 1000-U645    | 1B-540         |
| 1000-U369 | 1B-580         | 1000-U519      | 1B-540         | 1000-U563    | 1B-560         | 1000-U646    | 1B-540         |
| 1000-U370 | 1B-580         | 1000-U520      | 1B-540         | 1000-U564    | 1B-560         | 1000-U647    | 1B-540         |
| 1000-U371 | 1B-580         | 1000-U521      | 1B-540         | 1000-U565    | 1B-560         | 1000-U648    | 1B-540         |
| 1000-U372 | 1B-560         | 1000-U522      | 1B-540         | 1000-U566    | 1B-560         | 1000-U649    | 1B-540         |
| 1000-U373 | 1B-560         | 1000-U523      | 1B-540         | 1000-U567    | 1B-560         | 1000-U650    | 1B-540         |
| 1000-U374 | 1B-560         | 1000-U524      | 1B-540         | 1000-U568    | 1B-560         | 1000-U652-01 | 1B-320         |
| 1000-U375 | 1B-560         | 1000-U525      | 1B-540         | 1000-U569    | 1B-560         | 1000-U653    | 1B-840         |
| 1000-U376 | 1B-560         | 1000-U526      | 1B-540         | 1000-U570    | 1B-580         | 1000-U655-01 | 1B-320         |
| 1000-U377 | 1B-560         | 1000-U527      | 1B-540         | 1000-U571    | 1B-580         | 1000-U656    | 1B-620         |
| 1000-U378 | 1B-560         | 1000-U528      | 1B-540         | 1000-U572    | 1B-580         | 1000-U657    | 1B-620         |
| 1000-U379 | 1B-560         | 1000-U529      | 1B-540         | 1000-U573    | 1B-580         | 1000-U658    | 1B-580         |
| 1000-U380 | 1B-560         | 1000-U530      | 1B-140         | 1000-U574    | 1B-580         | 1000-U659    | 1B-620         |
| 1000-U381 | 1B-560         | 1000-U531      | 1B-140         | 1000-U575    | 1B-580         | 1000-U660    | 1B-620         |
| 1000-U382 | 1B-560         | 1000-U532      | 1B-140         | 1000-U576    | 1B-580         | 1000-U661-23 | 3YB-420        |
| 1000-U383 | 1B-560         | 1000-U533      | 1B-140         | 1000-U577    | 1B-580         | 1000-U661-23 | 3YC-120        |
| 1000-U384 | 1B-560         | 1000-U534      | 1B-140         | 1000-U578    | 1B-580         | 1000-U661-23 | 3YC-140        |
| 1000-U385 | 1B-560         | 1000-U535      | 1B-140         | 1000-U579    | 1B-580         | 1000-U661-25 | 3YB-420        |
| 1000-U386 | 1B-560         | 1000-U536      | 1B-140         | 1000-U580    | 1B-580         | 1000-U661-25 | 3YC-120        |
| 1000-U387 | 1B-560         | 1000-U537      | 1B-140         | 1000-U581    | 1B-580         | 1000-U661-25 | 3YC-140        |
| 1000-U388 | 1B-560         | 1000-U538-L    | 1C-620         | 1000-U582    | 1B-580         | 1000-U661-27 | 3YB-420        |
| 1000-U389 | 1B-560         | 1000-U538-L    | 3ZB-120        | 1000-U583    | 1B-580         | 1000-U661-27 | 3YC-120        |
| 1000-U390 | 1B-580         | 1000-U539      | 1B-240         | 1000-U584    | 1B-580         | 1000-U661-27 | 3YC-140        |
| 1000-U391 | 1B-580         | 1000-U540      | 1B-240         | 1000-U585    | 1B-580         | 1000-U661-29 | 3YB-420        |
| 1000-U392 | 1B-580         | 1000-U541      | 1B-240         | 1000-U586    | 1B-580         | 1000-U661-29 | 3YC-120        |
| 1000-U393 | 1B-580         | 1000-U542      | 1B-240         | 1000-U587    | 1B-580         | 1000-U661-29 | 3YC-140        |
| 1000-U394 | 1B-580         | 1000-U543      | 1B-240         | 1000-U588    | 1B-580         | 1000-U661-31 | 3YB-420        |
| 1000-U395 | 1B-620         | 1000-U544-23   | 3YB-420        | 1000-U589    | 1B-580         | 1000-U661-31 | 3YC-120        |
| 1000-U396 | 1B-620         | 1000-U544-23   | 3YC-120        | 1000-U590    | 1B-580         | 1000-U661-31 | 3YC-140        |
| 1000-U397 | 1B-620         | 1000-U544-23   | 3YC-140        | 1000-U591    | 1B-580         | 1000-U661-35 | 3YB-420        |
| 1000-U398 | 1B-620         | 1000-U544-25   | 3YB-420        | 1000-U592    | 1B-580         | 1000-U661-35 | 3YC-120        |
| 1000-U399 | 1B-620         | 1000-U544-25   | 3YC-120        | 1000-U593    | 1B-580         | 1000-U661-35 | 3YC-140        |
| 1000-U400 | 1B-620         | 1000-U544-25   | 3YC-140        | 1000-U594    | 1B-560         | 1000-U661-38 | 3YB-420        |
| 1000-U401 | 1B-620         | 1000-U544-27   | 3YB-420        | 1000-U595    | 1B-560         | 1000-U661-38 | 3YC-120        |
| 1000-U402 | 1B-620         | 1000-U544-27   | 3YC-120        | 1000-U596    | 1B-560         | 1000-U661-38 | 3YC-140        |
| 1000-U403 | 1B-540         | 1000-U544-27   | 3YC-140        | 1000-U597    | 1B-560         | 1000-U661-40 | 3YB-420        |
| 1000-U404 | 1B-540         | 1000-U544-29   | 3YB-420        | 1000-U598    | 1B-560         | 1000-U661-40 | 3YC-120        |
| 1000-U405 | 1B-540         | 1000-U544-29   | 3YC-120        | 1000-U599    | 1B-560         | 1000-U661-40 | 3YC-140        |
| 1000-U406 | 1B-540         | 1000-U544-29   | 3YC-140        | 1000-U600    | 1B-560         | 1000-U662-23 | 3YB-420        |
| 1000-U407 | 1B-540         | 1000-U544-31   | 3YB-420        | 1000-U601    | 1B-560         | 1000-U662-23 | 3YC-120        |
| 1000-U408 | 1B-540         | 1000-U544-31   | 3YC-120        | 1000-U602    | 1B-560         | 1000-U662-23 | 3YC-140        |
| 1000-U409 | 1B-540         | 1000-U544-31   | 3YC-140        | 1000-U603    | 1B-560         | 1000-U662-25 | 3YB-420        |
| 1000-U410 | 1B-540         | 1000-U544-35   | 3YB-420        | 1000-U604    | 1B-560         | 1000-U662-25 | 3YC-120        |
| 1000-U411 | 1B-540         | 1000-U544-35   | 3YC-120        | 1000-U605    | 1B-560         | 1000-U662-25 | 3YC-140        |
| 1000-U412 | 1B-540         | 1000-U544-35   | 3YC-140        | 1000-U606    | 1B-560         | 1000-U662-27 | 3YB-420        |
| 1000-U413 | 1B-540         | 1000-U544-38   | 3YB-420        | 1000-U607    | 1B-560         | 1000-U662-27 | 3YC-120        |
| 1000-U414 | 1B-540         | 1000-U544-38   | 3YC-120        | 1000-U608    | 1B-560         | 1000-U662-27 | 3YC-140        |
| 1000-U415 | 1B-540         | 1000-U544-38   | 3YC-140        | 1000-U609    | 1B-560         | 1000-U662-29 | 3YB-420        |
| 1000-U416 | 1B-540         | 1000-U545-23   | 3YB-420        | 1000-U610    | 1B-560         | 1000-U662-29 | 3YC-120        |
| 1000-U417 | 1B-540         | 1000-U545-23   | 3YC-120        | 1000-U611    | 1B-560         | 1000-U662-29 | 3YC-140        |
| 1000-U418 | 1B-540         | 1000-U545-23   | 3YC-140        | 1000-U612    | 1B-580         | 1000-U662-31 | 3YB-420        |
| 1000-U419 | 1B-540         | 1000-U545-25   | 3YB-420        | 1000-U613    | 1B-580         | 1000-U662-31 | 3YC-120        |
| 1000-U420 | 1B-540         | 1000-U545-25   | 3YC-120        | 1000-U614    | 1B-580         | 1000-U662-31 | 3YC-140        |
| 1000-U422 | 1B-620         | 1000-U545-25   | 3YC-140        | 1000-U615    | 1B-580         | 1000-U662-35 | 3YB-420        |



| Part no.     | Catalogue page | Part no.       | Catalogue page | Part no.       | Catalogue page | Part no.       | Catalogue page |
|--------------|----------------|----------------|----------------|----------------|----------------|----------------|----------------|
| 1000-U662-35 | 3YC-120        | 1000-U757      | 1B-140         | 1000-U825      | 1B-230         | 1000-U960-01   | 1B-835         |
| 1000-U662-35 | 3YC-140        | 1000-U757-01   | 1B-140         | 1000-U826      | 1B-230         | 1000-U960-01PF | 1B-835         |
| 1000-U662-38 | 3YB-420        | 1000-U762      | 1B-720         | 1000-U827      | 1B-230         | 1000-U961      | 1B-836         |
| 1000-U662-38 | 3YC-120        | 1000-U763      | 1B-720         | 1000-U828      | 1B-230         | 1000-U962      | 1B-836         |
| 1000-U662-38 | 3YC-140        | 1000-U764      | 1B-720         | 1000-U829      | 2A-180         | 1000-U963      | 1B-836         |
| 1000-U662-40 | 3YB-420        | 1000-U765      | 1B-720         | 1000-U830      | 1B-222         | 1000-U968-LI   | 1B-225         |
| 1000-U662-40 | 3YC-120        | 1000-U768      | 1B-840         | 1000-U831      | 1B-220         | 1000-U968-RE   | 1B-225         |
| 1000-U662-40 | 3YC-140        | 1000-U769      | 1B-140         | 1000-U831-01   | 1B-220         | 1000-U968-01LI | 1B-225         |
| 1000-U663    | 3YB-420        | 1000-U769      | 1B-360         | 1000-U831-02   | 1B-222         | 1000-U968-01RE | 1B-225         |
| 1000-U663    | 3YC-120        | 1000-U769      | 1B-760         | 1000-U832      | 1B-222         | 1000-U968-02LI | 1B-225         |
| 1000-U663    | 3YC-140        | 1000-U769      | 1B-840         | 1000-U835      | 1B-335         | 1000-U968-03LI | 1B-225         |
| 1000-U664    | 1B-560         | 1000-U769      | 1B-860         | 1000-U837      | 1B-850         | 1000-U968-03RE | 1B-225         |
| 1000-U665    | 1B-540         | 1000-U770      | 1B-640         | 1000-U838-02   | 1B-835         | 1000-U968-04LI | 1B-225         |
| 1000-U666    | 1B-160         | 1000-U771      | 1B-640         | 1000-U838-02PF | 1B-835         | 1000-U968-04RE | 1B-225         |
| 1000-U667    | 1B-160         | 1000-U773      | 1B-520         | 1000-U841      | 1B-140         | 1000-U968-05LI | 1B-225         |
| 1000-U675    | 1B-160         | 1000-U773-01   | 1B-520         | 1000-U842      | 1B-690         | 1000-U968-05RE | 1B-225         |
| 1000-U676    | 1B-160         | 1000-U774      | 1B-520         | 1000-U844      | 1B-520         | 1000-U968-06LI | 1B-225         |
| 1000-U677    | 1B-160         | 1000-U774-01   | 1B-520         | 1000-U845      | 1B-520         | 1000-U968-06RE | 1B-225         |
| 1000-U678    | 1B-160         | 1000-U775      | 1B-520         | 1000-U846      | 1B-237         | 1000-U972      | 1B-170         |
| 1000-U679    | 1B-160         | 1000-U775-01   | 1B-520         | 1000-U848      | 1B-237         | 1000-U973      | 1B-170         |
| 1000-U680    | 1B-160         | 1000-U776      | 1C-120         | 1000-U852      | 1B-210         | 1000-U974      | 1B-170         |
| 1000-U681    | 1C-170         | 1000-U776-PH   | 1C-120         | 1000-U852-IA   | 1B-210         | 1000-U975      | 1B-170         |
| 1000-U682    | 1C-170         | 1000-U777      | 1B-220         | 1000-U852-PH   | 1B-210         | 1000-U976      | 1B-170         |
| 1000-U683    | 1C-170         | 1000-U777-01   | 1B-220         | 1000-U853      | 1B-210         | 1000-U977      | 1B-170         |
| 1000-U684    | 1C-170         | 1000-U778      | 8A-220         | 1000-U853-PH   | 1B-210         | 1000-U978      | 1B-170         |
| 1000-U685    | 1C-170         | 1000-U779      | 8A-222         | 1000-U854      | 1B-210         | 1000-U980      | 3ZD-180        |
| 1000-U686    | 1C-170         | 1000-U780      | 8A-224         | 1000-U854-PH   | 1B-210         | 1000-U981      | 1B-220         |
| 1000-U687    | 1B-320         | 1000-U781      | 8A-224         | 1000-U855      | 1B-210         | 1000-U981-01   | 1B-220         |
| 1000-U688    | 1B-320         | 1000-U781-V    | 8A-224         | 1000-U855-PH   | 1B-210         | 1000-U982      | 1B-220         |
| 1000-U689    | 1B-320         | 1000-U783      | 1B-220         | 1000-U856      | 1B-210         | 1000-U983      | 1B-220         |
| 1000-U690    | 1B-320         | 1000-U784      | 1B-230         | 1000-U856-PH   | 1B-210         | 1000-U985-PH   | 1B-210         |
| 1000-U691    | 1B-320         | 1000-U785      | 1B-230         | 1000-U857      | 1B-690         |                |                |
| 1000-U692    | 1B-320         | 1000-U786      | 1B-222         | 1000-U858      | 1C-170         | 1001-11        | 1C-620         |
| 1000-U693    | 1B-320         | 1000-U787      | 1B-230         | 1000-U859-IA   | 1B-210         | 1001-12        | 1C-620         |
| 1000-U694    | 1B-320         | 1000-U788      | 1B-230         | 1000-U859-PH   | 1B-210         | 1001-13        | 1C-620         |
| 1000-U695    | 1B-160         | 1000-U789      | 1B-230         | 1000-U860      | 1B-650         | 1001-14        | 1C-620         |
| 1000-U696    | 1B-160         | 1000-U790      | 1B-230         | 1000-U860-01AA | 1B-650         | 1001-15        | 1C-620         |
| 1000-U709    | 1B-160         | 1000-U791      | 1B-230         | 1000-U860-01IA | 1B-650         | 1001-16        | 1C-620         |
| 1000-U710-01 | 1B-320         | 1000-U792      | 1B-230         | 1000-U861      | 1B-837         | 1001-17        | 1C-620         |
| 1000-U711    | 1B-160         | 1000-U793      | 1B-230         | 1000-U862      | 1B-837         | 1001-18        | 2B-120         |
| 1000-U712-01 | 1B-320         | 1000-U794      | 1B-222         | 1000-U864-IA   | 1B-210         | 1001-18        | 2B-120         |
| 1000-U713-01 | 1B-320         | 1000-U795      | 1B-220         | 1000-U864-PH   | 1B-210         | 1001-18        | 2B-130         |
| 1000-U714-01 | 1B-320         | 1000-U796      | 1B-220         | 1000-U865-LIPH | 1B-225         | 1001-18        | 2B-135         |
| 1000-U715-01 | 1B-320         | 1000-U798      | 1B-220         | 1000-U865-REPH | 1B-225         | 1001-18        | 2B-180         |
| 1000-U716-01 | 1B-320         | 1000-U799      | 1B-222         | 1000-U869-LIPH | 1B-225         | 1001-19        | 2B-120         |
| 1000-U717-01 | 1B-320         | 1000-U802      | 1B-222         | 1000-U869-REPH | 1B-225         | 1001-19        | 2B-120         |
| 1000-U718-01 | 1B-320         | 1000-U803      | 1B-222         | 1000-U870-LIPH | 1B-225         | 1001-19        | 2B-130         |
| 1000-U719-01 | 1B-320         | 1000-U804      | 1B-222         | 1000-U870-REPH | 1B-225         | 1001-19        | 2B-135         |
| 1000-U720-01 | 1B-320         | 1000-U805      | 1B-220         | 1000-U873      | 1B-180         | 1001-20        | 1C-640         |
| 1000-U721-01 | 1B-320         | 1000-U806      | 1B-222         | 1000-U874      | 1C-125         | 1001-21        | 1C-640         |
| 1000-U722-01 | 1B-320         | 1000-U807      | 1B-220         | 1000-U874-VA   | 1C-125         | 1001-22        | 1C-640         |
| 1000-U723-01 | 1B-320         | 1000-U808      | 1B-222         | 1000-U876      | 1B-140         | 1001-23        | 2B-160         |
| 1000-U724-01 | 1B-320         | 1000-U809      | 1B-220         | 1000-U878      | 1B-140         | 1001-24        | 2B-160         |
| 1000-U725    | 1B-320         | 1000-U810      | 1B-222         | 1000-U879      | 1B-140         | 1001-25        | 2B-160         |
| 1000-U726    | 1B-320         | 1000-U811      | 1B-220         | 1000-U880      | 1B-222         | 1001-26        | 2B-160         |
| 1000-U727    | 1B-320         | 1000-U812      | 1B-222         | 1000-U882      | 1B-220         | 1001-27        | 2B-160         |
| 1000-U728    | 1B-320         | 1000-U813      | 1B-222         | 1000-U883      | 1B-180         | 1001-28        | 2B-160         |
| 1000-U729    | 1B-140         | 1000-U816      | 1B-222         | 1000-U892      | 1C-135         | 1001-28        | 2B-180         |
| 1000-U732-01 | 1B-320         | 1000-U817-01PH | 1B-330         | 1000-U895      | 1B-180         | 1001-29        | 2B-160         |
| 1000-U733-01 | 1B-320         | 1000-U817-02IA | 1B-330         | 1000-U902      | 1B-170         | 1001-29        | 2B-180         |
| 1000-U734    | 1B-680         | 1000-U817-03IA | 1B-330         | 1000-U903      | 1B-170         | 1001-30        | 2B-160         |
| 1000-U735    | 1B-680         | 1000-U817-03PH | 1B-330         | 1000-U904      | 1B-170         | 1001-31        | 2B-160         |
| 1000-U736    | 1B-140         | 1000-U817-04IA | 1B-330         | 1000-U905      | 1B-170         | 1001-32        | 2B-160         |
| 1000-U737    | 1B-140         | 1000-U817-05IA | 1B-330         | 1000-U907      | 1B-170         | 1001-33        | 2B-160         |
| 1000-U738    | 1B-140         | 1000-U817-05PH | 1B-330         | 1000-U908      | 1B-170         | 1001-33        | 2B-180         |
| 1000-U739    | 1B-140         | 1000-U817-07PH | 1B-330         | 1000-U910      | 1B-140         | 1001-34        | 2B-160         |
| 1000-U740    | 1B-760         | 1000-U817-08IA | 1B-330         | 1000-U911-LIPH | 1B-225         | 1001-35        | 2B-160         |
| 1000-U740-01 | 1B-760         | 1000-U817-16IA | 1B-330         | 1000-U913      | 1B-170         | 1001-36        | 2B-160         |
| 1000-U742    | 1B-380         | 1000-U817-17IA | 1B-330         | 1000-U914      | 1B-170         | 1001-45        | 2A-120         |
| 1000-U743    | 1B-380         | 1000-U817-23IA | 1B-330         | 1000-U915      | 1B-170         | 1001-46        | 2A-120         |
| 1000-U744    | 1B-720         | 1000-U817-23PH | 1B-330         | 1000-U916      | 1B-170         | 1001-47        | 2A-120         |
| 1000-U745    | 1B-720         | 1000-U817-24PH | 1B-330         | 1000-U917      | 1B-170         | 1001-48        | 2A-120         |
| 1000-U746-01 | 1B-340         | 1000-U818-02IA | 1B-332         | 1000-U933      | 1B-940         | 1001-49        | 2A-120         |
| 1000-U747    | 1B-340         | 1000-U818-03IA | 1B-332         | 1000-U934      | 1B-940         | 1001-50        | 2A-120         |
| 1000-U748    | 1B-220         | 1000-U818-04IA | 1B-332         | 1000-U935      | 1B-940         | 1001-50        | 3A-220         |
| 1000-U748-01 | 1B-220         | 1000-U818-05IA | 1B-332         | 1000-U936      | 1B-940         | 1001-50        | 3AB-220        |
| 1000-U749    | 1B-220         | 1000-U819-01IA | 1B-332         | 1000-U938      | 8A-230         | 1001-65        | 2A-180         |
| 1000-U749-01 | 1B-220         | 1000-U819-02IA | 1B-332         | 1000-U939      | 8A-230         | 1001-69        | 2A-180         |
| 1000-U751    | 1B-380         | 1000-U819-03IA | 1B-332         | 1000-U941-01   | 1B-835         | 1001-70        | 2A-180         |
| 1000-U752    | 1B-380         | 1000-U819-04IA | 1B-332         | 1000-U941-01PF | 1B-835         | 1001-71        | 2A-180         |
| 1000-U753    | 1B-540         | 1000-U820      | 1B-230         | 1000-U943      | 8A-232         | 1001-72        | 2A-180         |
| 1000-U754    | 1B-540         | 1000-U821      | 1B-230         | 1000-U944      | 8A-232         | 1001-73        | 2A-180         |
| 1000-U755    | 1B-220         | 1000-U822      | 1B-230         | 1000-U945      | 8A-232         |                |                |
| 1000-U755-01 | 1B-220         | 1000-U823      | 1B-230         | 1000-U946      | 8A-232         | 1001-U1        | 2B-135         |
| 1000-U755-02 | 1B-222         | 1000-U824      | 1B-230         | 1000-U957      | 8A-222         | 1001-U2        | 2B-135         |

|   |                    |
|---|--------------------|
| 1 | Quarter turns      |
| 2 | Rod controls       |
| 3 | Locking systems    |
| 4 | Hinges             |
| 5 | Seals              |
| 6 | Handles            |
| 7 | Aluminium windows  |
| 8 | Miscellaneous      |
| 9 | Special catalogues |

## Beschlagteile

Info

1 Quarter turns

2 Rod controls

3 Locking systems

4 Hinges

5 Seals

6 Handles

7 Aluminium windows

8 Miscellaneous

9 Special catalogues

Index

| Part no.     | Catalogue page | Part no.     | Catalogue page | Part no. | Catalogue page | Part no.      | Catalogue page |
|--------------|----------------|--------------|----------------|----------|----------------|---------------|----------------|
| 1001-U9      | 2B-180         | 1004-44-01AA | 3AB-180        | 1012-U1  | 1A-420         | 1016-125      | 5A-180         |
| 1001-U10     | 2B-180         | 1004-45      | 1B-340         | 1012-U2  | 1A-420         | 1016-126      | 5A-180         |
| 1001-U11     | 1C-640         | 1004-48      | 8B-120         | 1012-U3  | 1A-420         | 1016-127      | 5A-180         |
| 1001-U11     | 3ZC-220        | 1004-49      | 8B-120         | 1012-U4  | 1A-420         | 1016-128      | 5A-180         |
| 1001-U12     | 1C-640         | 1004-51      | 8B-120         |          |                | 1016-129      | 5A-180         |
| 1001-U12     | 3ZC-220        | 1004-52      | 8B-120         | 1013-U1  | 8D-420         | 1016-130      | 5A-180         |
| 1001-U13     | 2A-120         | 1004-53      | 1B-835         | 1013-U2  | 8D-420         | 1016-131      | 5A-180         |
| 1001-U14     | 2A-120         | 1004-53      | 1B-836         | 1013-U3  | 8D-420         | 1016-132      | 5A-180         |
| 1001-U15     | 2A-120         | 1004-53      | 1B-837         | 1013-U4  | 8D-420         | 1016-133      | 5A-180         |
| 1001-U16     | 2A-120         | 1004-54      | 8B-120         | 1013-U5  | 8D-420         | 1016-134      | 5A-180         |
| 1001-U17     | 2A-120         | 1004-60      | 1B-835         |          |                | 1016-135      | 5A-180         |
| 1001-U18     | 2A-120         | 1004-60      | 1B-836         | 1016-13  | 5A-180         | 1016-136      | 5A-180         |
| 1001-U19     | 2B-120         | 1004-61      | 1B-835         | 1016-14  | 5A-180         | 1016-137      | 5A-180         |
| 1001-U20     | 2B-120         | 1004-61      | 1B-836         | 1016-15  | 5A-180         | 1016-138      | 5A-180         |
| 1001-U21     | 2A-180         | 1004-62      | 1B-835         | 1016-16  | 5A-180         | 1016-139      | 5A-180         |
| 1001-U22     | 2A-180         | 1004-62      | 1B-836         | 1016-17  | 5A-180         | 1016-140      | 5A-180         |
| 1001-U23     | 2A-180         |              |                | 1016-18  | 5A-180         | 1016-141      | 5A-180         |
| 1001-U24     | 2A-120         | 1005-U1      | 2B-160         | 1016-19  | 5A-180         | 1016-142      | 5A-180         |
| 1001-U25     | 2A-120         | 1005-U2      | 2B-160         | 1016-20  | 5A-180         | 1016-143      | 5A-180         |
| 1001-U26     | 2A-120         | 1005-U3      | 2B-160         | 1016-21  | 5A-180         | 1016-144      | 5A-180         |
| 1001-U27     | 2A-120         | 1005-U4      | 2B-160         | 1016-22  | 5A-180         | 1016-145      | 5A-180         |
| 1001-U28     | 2A-120         | 1005-U5      | 2B-160         | 1016-23  | 5A-180         | 1016-146      | 5A-180         |
| 1001-U29     | 2A-120         | 1005-U6      | 2B-160         | 1016-24  | 5A-180         | 1016-147      | 5A-180         |
| 1001-U30     | 2B-120         |              |                | 1016-61  | 5A-180         | 1016-148      | 5A-180         |
| 1001-U31     | 2B-120         | 1006-U1      | 4B-120         | 1016-62  | 5A-180         | 1016-149      | 5A-180         |
| 1001-U32     | 2A-120         | 1006-U1-PC   | 4B-120         | 1016-63  | 5A-180         | 1016-150      | 5A-180         |
| 1001-U33     | 2A-120         |              |                | 1016-64  | 5A-180         | 1016-151      | 5A-180         |
| 1001-U40     | 1C-640         | 1007-U1      | 4B-120         | 1016-65  | 5A-180         | 1016-152      | 5A-180         |
| 1001-U40     | 3ZC-220        | 1007-U2      | 4B-120         | 1016-66  | 5A-180         | 1016-153      | 5A-180         |
| 1001-U41     | 1C-640         |              |                | 1016-67  | 5A-180         | 1016-154      | 5A-180         |
| 1001-U41     | 3ZC-220        | 1010-01      | 5A-120         | 1016-68  | 5A-180         | 1016-155      | 5A-180         |
| 1001-U47     | 1C-630         | 1010-02      | 5A-120         | 1016-69  | 5A-180         | 1016-156      | 5A-180         |
| 1001-U47     | 3ZC-210        | 1010-04-01   | 5A-110         | 1016-70  | 5A-180         | 1016-157      | 5A-180         |
|              |                | 1010-04-02   | 5A-110         | 1016-71  | 5A-180         | 1016-158      | 5A-180         |
| 1002-04      | 2B-120         | 1010-05      | 5A-110         | 1016-72  | 5A-180         | 1016-159      | 5A-180         |
| 1002-05      | 2B-120         | 1010-06      | 5A-110         | 1016-75  | 5A-180         | 1016-160      | 5A-180         |
|              |                | 1010-06-01   | 5A-110         | 1016-76  | 5A-180         | 1016-161      | 5A-180         |
| 1002-U1      | 2B-120         | 1010-09      | 5A-120         | 1016-77  | 5A-180         | 1016-162      | 5A-180         |
|              |                | 1010-11      | 5A-110         | 1016-78  | 5A-180         | 1016-163      | 5A-180         |
| 1003-01      | 5A-190         | 1010-11-01   | 5A-110         | 1016-79  | 5A-180         | 1016-164      | 5A-180         |
| 1003-02      | 5A-190         | 1010-12      | 5A-120         | 1016-80  | 5A-180         | 1016-165      | 5A-180         |
| 1003-03      | 5A-190         |              |                | 1016-81  | 5A-180         | 1016-166      | 5A-180         |
| 1003-04      | 5A-190         | 1011-05      | 5A-130         | 1016-82  | 5A-180         | 1016-167      | 5A-180         |
| 1003-11-N    | 5A-190         | 1011-05-09   | 5A-230         | 1016-83  | 5A-180         | 1016-168      | 5A-180         |
| 1003-12-N    | 5A-190         | 1011-05-E    | 5A-210         | 1016-84  | 5A-180         | 1016-169      | 5A-180         |
| 1003-13-N    | 5A-190         | 1011-05-E    | 5A-220         | 1016-85  | 5A-180         | 1016-170      | 5A-180         |
| 1003-14-N    | 5A-190         | 1011-05-FR01 | 5A-240         | 1016-86  | 5A-180         | 1016-171      | 5A-180         |
| 1003-15-N    | 5A-190         | 1011-06      | 5A-140         | 1016-87  | 5A-180         | 1016-172      | 5A-180         |
| 1003-24-N    | 5A-190         | 1011-06-09   | 5A-230         | 1016-88  | 5A-180         | 1016-173      | 5A-180         |
|              |                | 1011-06-E    | 5A-220         | 1016-89  | 5A-180         | 1016-174      | 5A-180         |
| 1004-01      | 8B-120         | 1011-08      | 5A-150         | 1016-90  | 5A-180         | 1016-175      | 5A-180         |
| 1004-02      | 8B-120         | 1011-09      | 5A-130         | 1016-91  | 5A-180         | 1016-176      | 5A-180         |
| 1004-03      | 8B-120         | 1011-09-E    | 5A-220         | 1016-92  | 5A-180         | 1016-177      | 5A-180         |
| 1004-04      | 8B-120         | 1011-09-E    | 5A-220         | 1016-93  | 5A-180         | 1016-178      | 5A-180         |
| 1004-05      | 8B-120         | 1011-09-FR01 | 5A-240         | 1016-94  | 5A-180         | 1016-179      | 5A-180         |
| 1004-06      | 8B-120         | 1011-10      | 5A-130         | 1016-95  | 5A-180         | 1016-180      | 5A-180         |
| 1004-17      | 8B-120         | 1011-10-E    | 5A-210         | 1016-96  | 5A-180         | 1016-181      | 5A-180         |
| 1004-18      | 8B-120         | 1011-12      | 5A-140         | 1016-97  | 5A-180         | 1016-182      | 5A-180         |
| 1004-19      | 8B-120         | 1011-15      | 5A-130         | 1016-98  | 5A-180         | 1016-183      | 5A-180         |
| 1004-20      | 1A-120         | 1011-16      | 5A-140         | 1016-99  | 5A-180         | 1016-184      | 5A-180         |
| 1004-20      | 8B-120         | 1011-17      | 5A-150         | 1016-100 | 5A-180         | 1016-185      | 5A-180         |
| 1004-21      | 1A-120         | 1011-19-09   | 5A-230         | 1016-101 | 5A-180         | 1016-186      | 5A-180         |
| 1004-21      | 1A-420         | 1011-26      | 5A-150         | 1016-102 | 5A-180         | 1016-187      | 5A-180         |
| 1004-21      | 8B-120         | 1011-27      | 5A-170         | 1016-103 | 5A-180         | 1016-188      | 5A-180         |
| 1004-24      | 8B-120         | 1011-30      | 5A-170         | 1016-104 | 5A-180         | 1016-189      | 5A-180         |
| 1004-26      | 8B-120         | 1011-31      | 5A-160         | 1016-105 | 5A-180         | 1016-190      | 5A-180         |
| 1004-29      | 8B-120         | 1011-32      | 5A-160         | 1016-106 | 5A-180         | 1016-191      | 5A-180         |
| 1004-29-01   | 1B-360         | 1011-34      | 5A-140         | 1016-107 | 5A-180         | 1016-192      | 5A-180         |
| 1004-30      | 8B-120         | 1011-36      | 5A-170         | 1016-108 | 5A-180         | 1016-193      | 5A-180         |
| 1004-31      | 8B-120         | 1011-40      | 5A-160         | 1016-109 | 5A-180         | 1016-194      | 5A-180         |
| 1004-33      | 8B-120         | 1011-41      | 5A-150         | 1016-110 | 5A-180         | 1016-220-127E | 5A-220         |
| 1004-33-01   | 1B-720         | 1011-44      | 5A-160         | 1016-111 | 5A-180         | 1016-220-220E | 5A-220         |
| 1004-34      | 1A-420         | 1011-45      | 5A-140         | 1016-112 | 5A-180         | 1016-220-254E | 5A-220         |
| 1004-34      | 8B-120         | 1011-45-FR01 | 5A-240         | 1016-113 | 5A-180         |               |                |
| 1004-34-01   | 1B-720         | 1011-46      | 5A-150         | 1016-114 | 5A-180         | 1017-14       | 2B-140         |
| 1004-35      | 8B-120         | 1011-47      | 5A-130         | 1016-115 | 5A-180         | 1017-15       | 2B-140         |
| 1004-36      | 1A-420         | 1011-48      | 5A-150         | 1016-116 | 5A-180         |               |                |
| 1004-36      | 8B-120         | 1011-49      | 5A-130         | 1016-117 | 5A-180         | 1019-U1       | 1C-620         |
| 1004-37      | 8B-120         | 1011-50      | 5A-130         | 1016-118 | 5A-180         |               |                |
| 1004-38      | 8B-120         | 1011-51-FR01 | 5A-240         | 1016-119 | 5A-180         | 1022-01-02    | 1A-120         |
| 1004-39      | 8B-120         |              |                | 1016-120 | 5A-180         | 1022-05-JB    | 8E-140         |
| 1004-41      | 8B-120         | 1012-05      | 1A-420         | 1016-121 | 5A-180         | 1022-07       | 1A-120         |
| 1004-42      | 8B-120         | 1012-06-JG   | 1A-420         | 1016-122 | 5A-180         | 1022-07       | 1A-140         |
| 1004-44-01AA | 3AB-120        | 1012-08      | 1A-420         | 1016-123 | 5A-180         | 1022-07-PC    | 1A-120         |
| 1004-44-01AA | 3AB-160        |              |                | 1016-124 | 5A-180         | 1022-08       | 1A-120         |

| Part no.     | Catalogue page | Part no.    | Catalogue page | Part no. | Catalogue page | Part no.   | Catalogue page |
|--------------|----------------|-------------|----------------|----------|----------------|------------|----------------|
| 1022-08      | 1A-140         | 1022-U67    | 1A-160         | 1033-U57 | 4A-300         | 1047-U4    | 8A-240         |
| 1022-08-PC   | 1A-120         | 1022-U68    | 1A-160         | 1033-U58 | 4A-300         | 1047-U5    | 8A-240         |
| 1022-09      | 1A-120         | 1022-U69    | 1A-160         | 1033-U60 | 4A-300         |            |                |
| 1022-10      | 1A-120         | 1022-U70    | 1A-160         | 1033-U61 | 4A-300         | 1048-U1    | 1B-420         |
| 1022-11-JB   | 8E-140         | 1022-U71    | 1A-120         | 1033-U63 | 4A-300         | 1048-U2    | 1B-420         |
| 1022-11-01KA | 8E-140         | 1022-U72    | 1A-120         | 1033-U64 | 4A-300         | 1048-U3    | 1B-420         |
| 1022-20      | 1A-120         | 1022-U73    | 1A-120         | 1033-U70 | 4A-300         | 1048-U4    | 1B-420         |
| 1022-20      | 1A-140         | 1022-U74    | 1A-120         | 1033-U71 | 4A-300         | 1048-U6    | 1B-420         |
| 1022-20-PC   | 1A-120         | 1022-U75    | 1A-120         | 1033-U72 | 4A-300         | 1048-U6-PH | 1B-420         |
| 1022-23-01   | 1A-120         | 1022-U76    | 1A-120         | 1033-U73 | 4A-300         | 1048-U7    | 1B-420         |
| 1022-49      | 1A-240         | 1022-U77    | 1A-120         | 1033-U74 | 4A-300         | 1048-U7-PH | 1B-420         |
| 1022-50      | 1A-240         | 1022-U78    | 1A-120         | 1033-U75 | 4A-300         | 1048-U8    | 1B-420         |
| 1022-51      | 1A-240         | 1022-U82    | 1A-120         |          |                | 1048-U9    | 1B-420         |
| 1022-54-01   | 1A-320         | 1022-U83    | 1A-220         | 1034-03  | 1C-360         | 1048-U10   | 1B-420         |
| 1022-54-02   | 1A-320         | 1022-U83-IA | 1A-220         |          |                | 1048-U11   | 1B-420         |
| 1022-54-03   | 1A-320         | 1022-U84    | 1A-220         | 1034-U1  | 1C-360         | 1048-U12   | 1B-420         |
| 1022-55-01   | 1A-320         | 1022-U84-IA | 1A-220         | 1034-U1  | 8A-320         | 1048-U13   | 1B-420         |
| 1022-55-02   | 1A-320         | 1022-U85    | 1A-220         |          |                | 1048-U14   | 1B-420         |
| 1022-55-03   | 1A-320         | 1022-U85-IA | 1A-220         | 1035-U1  | 4A-260         | 1048-U15   | 1B-420         |
| 1022-56-01   | 1A-320         | 1022-U86    | 1E-320         | 1035-U2  | 4A-260         | 1048-U16   | 1B-420         |
| 1022-56-02   | 1A-320         | 1022-U89    | 1A-320         | 1035-U3  | 4A-260         | 1048-U17   | 1B-420         |
| 1022-56-03   | 1A-320         | 1022-U90    | 1A-320         |          |                | 1048-U18   | 1B-420         |
| 1022-990     | 1A-120         | 1022-U91    | 1A-320         | 1036-U2  | 4A-290         | 1048-U19   | 1B-420         |
| 1022-991     | 1A-120         | 1022-U94    | 1A-220         | 1036-U3  | 4A-290         | 1048-U20   | 1B-420         |
|              |                |             |                | 1036-U4  | 4A-290         | 1048-U21   | 1B-420         |
| 1022-U1      | 1A-120         | 1031-U1     | 4A-130         | 1036-U5  | 4A-290         | 1048-U22   | 1B-360         |
| 1022-U2      | 1A-120         | 1031-U2     | 4A-130         | 1036-U6  | 4A-290         | 1048-U23   | 1B-360         |
| 1022-U3      | 1A-120         | 1031-U7     | 4A-134         | 1036-U7  | 4A-290         | 1048-U25   | 1B-420         |
| 1022-U4      | 1A-120         | 1031-U10    | 4A-130         | 1036-U9  | 4A-295         | 1048-U26   | 1B-420         |
| 1022-U8      | 1A-120         | 1031-U12    | 4A-135         | 1036-U9  | 4A-295         | 1048-U27   | 1B-420         |
| 1022-U9      | 1A-120         | 1031-U13    | 4A-135         | 1036-U10 | 4A-295         | 1048-U28   | 1B-420         |
| 1022-U10     | 1A-160         | 1031-U14    | 4A-137         |          |                |            |                |
| 1022-U11     | 1A-160         | 1031-U15    | 4A-136         | 1038-07  | 5A-200         |            |                |
| 1022-U12     | 1A-160         | 1031-U16    | 4A-133         | 1038-10  | 5A-200         | 1049-19-L  | 1C-620         |
| 1022-U13     | 1A-160         | 1031-U17-PC | 4A-133         |          |                | 1049-19-L  | 3ZB-120        |
| 1022-U14     | 1A-160         | 1031-U18    | 4A-137         | 1039-36  | 4A-260         |            |                |
| 1022-U15     | 1A-160         | 1031-U19    | 4A-135         | 1039-U6  | 4A-260         | 1049-U1    | 2A-120         |
| 1022-U16     | 1A-160         | 1031-U20    | 4A-135         | 1039-U7  | 4A-260         | 1049-U1    | 2B-130         |
| 1022-U17     | 1A-160         | 1031-U21    | 4A-136         | 1039-U8  | 4A-260         | 1049-U2    | 2A-120         |
| 1022-U18     | 1A-160         | 1031-U22    | 4A-135         | 1039-U10 | 4B-160         | 1049-U2    | 2B-130         |
| 1022-U19     | 1A-160         |             |                | 1039-U11 | 4B-160         | 1049-U3    | 1C-620         |
| 1022-U20     | 1A-160         | 1032-U1     | 4A-130         | 1039-U12 | 4A-250         | 1049-U3    | 3ZB-120        |
| 1022-U21     | 1A-160         | 1032-U2     | 4A-130         | 1039-U13 | 4B-170         | 1049-U4    | 1C-620         |
| 1022-U22     | 1A-160         | 1032-U5     | 4A-130         | 1039-U14 | 4B-170         | 1049-U4    | 3ZB-120        |
| 1022-U23     | 1A-160         | 1032-U6     | 4A-121         | 1039-U15 | 4B-170         | 1049-U5    | 1C-620         |
| 1022-U24     | 1A-160         |             |                | 1039-U17 | 4A-250         | 1049-U5    | 3ZB-120        |
| 1022-U25     | 1A-160         | 1033-U1     | 4A-300         | 1039-U18 | 4B-160         | 1049-U6    | 1C-620         |
| 1022-U26     | 1A-160         | 1033-U2     | 4A-300         | 1039-U19 | 4A-250         | 1049-U6    | 3ZB-120        |
| 1022-U27     | 1A-160         | 1033-U3     | 4A-300         | 1039-U25 | 4B-160         | 1049-U7    | 1C-620         |
| 1022-U29     | 1A-140         | 1033-U4     | 4A-300         | 1039-U26 | 4A-250         | 1049-U7    | 3ZB-120        |
| 1022-U30     | 1A-140         | 1033-U5     | 4A-300         |          |                | 1049-U8    | 1C-620         |
| 1022-U31     | 1A-140         | 1033-U7     | 4A-300         | 1042-U1  | 4B-140         | 1049-U8    | 3ZB-120        |
| 1022-U32     | 1A-140         | 1033-U8     | 4A-300         |          |                | 1049-U9    | 1C-620         |
| 1022-U33     | 1A-140         | 1033-U9     | 4A-300         | 1043-U1  | 4B-140         | 1049-U9    | 3ZB-120        |
| 1022-U34     | 1A-140         | 1033-U11    | 4A-300         |          |                | 1049-U9    | 3ZB-120        |
| 1022-U37     | 1A-140         | 1033-U13    | 4A-300         | 1044-U1  | 2B-160         | 1049-U12   | 1C-620         |
| 1022-U38     | 1A-140         | 1033-U14    | 4A-300         | 1044-U2  | 2B-160         | 1049-U12   | 3ZB-120        |
| 1022-U39     | 1A-140         | 1033-U15    | 4A-300         | 1044-U3  | 2B-160         | 1049-U13   | 1C-620         |
| 1022-U40     | 1A-140         | 1033-U16    | 4A-300         | 1044-U4  | 2B-160         | 1049-U13   | 3ZB-120        |
| 1022-U41     | 1A-140         | 1033-U17    | 4A-300         | 1044-U5  | 2B-160         | 1049-U14   | 1C-620         |
| 1022-U42     | 1A-140         | 1033-U18    | 4A-300         | 1044-U6  | 2B-160         | 1049-U14   | 3ZB-120        |
| 1022-U43     | 1A-120         | 1033-U20    | 4A-300         | 1044-U7  | 2B-160         | 1049-U15   | 1C-620         |
| 1022-U44     | 1A-120         | 1033-U21    | 4A-300         | 1044-U8  | 2B-160         | 1049-U15   | 3ZB-120        |
| 1022-U45     | 1A-120         | 1033-U22    | 4A-300         | 1044-U9  | 2B-160         | 1049-U16   | 1C-620         |
| 1022-U46     | 1A-120         | 1033-U24    | 4A-300         | 1044-U10 | 2B-160         | 1049-U16   | 3ZB-120        |
| 1022-U47     | 1A-120         | 1033-U26    | 4A-300         | 1044-U11 | 2B-160         | 1049-U17   | 1C-620         |
| 1022-U48     | 1A-140         | 1033-U27    | 4A-300         | 1044-U12 | 2B-160         | 1049-U17   | 3ZB-120        |
| 1022-U49     | 1A-140         | 1033-U28    | 4A-300         | 1044-U13 | 2B-160         | 1049-U18-L | 1C-620         |
| 1022-U50     | 1A-140         | 1033-U29    | 4A-300         | 1044-U14 | 2B-160         | 1049-U18-L | 3ZB-120        |
| 1022-U51     | 1A-140         | 1033-U30    | 4A-300         | 1044-U15 | 2B-160         | 1049-U19   | 2A-120         |
| 1022-U52     | 1A-140         | 1033-U31    | 4A-300         | 1044-U16 | 2B-160         | 1049-U19   | 2B-130         |
| 1022-U53     | 1A-140         | 1033-U32    | 4A-300         | 1044-U17 | 2B-160         | 1049-U20   | 2A-120         |
| 1022-U54     | 1A-140         | 1033-U33    | 4A-300         | 1044-U18 | 2B-160         | 1049-U20   | 2B-130         |
| 1022-U55     | 1A-140         | 1033-U34    | 4A-300         | 1044-U19 | 2B-160         |            |                |
| 1022-U56     | 1A-140         | 1033-U35    | 4A-300         | 1044-U20 | 2B-160         | 1050-U1    | 8C-180         |
| 1022-U57     | 1A-140         | 1033-U36    | 4A-300         | 1044-U21 | 2B-160         | 1050-U1-PC | 8C-180         |
| 1022-U58     | 1A-140         | 1033-U37    | 4A-300         | 1044-U22 | 2B-160         | 1050-U2    | 8C-180         |
| 1022-U59     | 1A-140         | 1033-U38    | 4A-300         |          |                | 1050-U2-PC | 8C-180         |
| 1022-U60     | 1A-120         | 1033-U39    | 4A-300         | 1046-U1  | 4B-130         | 1050-U3    | 8C-120         |
| 1022-U61     | 1A-120         | 1033-U40    | 4A-300         | 1046-U2  | 4B-130         |            |                |
| 1022-U62     | 1A-120         | 1033-U41    | 4A-300         | 1046-U3  | 4B-130         | 1051-U1    | 8D-220         |
| 1022-U63     | 1A-120         | 1033-U42    | 4A-300         | 1046-U4  | 4B-130         | 1051-U2    | 8D-220         |
| 1022-U64     | 1A-120         | 1033-U44    | 4A-295         | 1046-U5  | 4B-130         |            |                |
| 1022-U65     | 1A-160         | 1033-U55    | 4A-300         |          |                | 1053-U1    | 8A-340         |
| 1022-U66     | 1A-160         | 1033-U56    | 4A-300         | 1047-U2  | 8A-240         | 1053-U2    | 8A-340         |
|              |                |             |                | 1047-U3  | 8A-240         | 1053-U3    | 8A-340         |
|              |                |             |                |          |                | 1053-U4    | 8A-340         |

|   |                    |
|---|--------------------|
| 1 | Quarter turns      |
| 2 | Rod controls       |
| 3 | Locking systems    |
| 4 | Hinges             |
| 5 | Seals              |
| 6 | Handles            |
| 7 | Aluminium windows  |
| 8 | Miscellaneous      |
| 9 | Special catalogues |

## Beschlagteile

Info

1 Quarter turns

2 Rod controls

3 Locking systems

4 Hinges

5 Seals

6 Handles

7 Aluminium windows

8 Miscellaneous

9 Special catalogues

Index

| Part no.      | Catalogue page | Part no.      | Catalogue page | Part no.     | Catalogue page | Part no.      | Catalogue page |
|---------------|----------------|---------------|----------------|--------------|----------------|---------------|----------------|
| 1053-U5       | 8A-340         | 1056-U14-01   | 4B-185         | 1071-01      | 8D-320         | 1091-U139     | 8A-860         |
| 1053-U6       | 8A-340         | 1056-U15      | 4B-200         |              |                | 1091-U140     | 8A-860         |
|               |                | 1056-U16      | 4B-200         | 1071-U1      | 8D-320         | 1091-U141     | 8A-860         |
| 1054-U1       | 4A-280         | 1056-U17      | 4B-200         |              |                | 1091-U142     | 8A-860         |
| 1054-U2       | 4A-310         | 1056-U17-PH   | 4B-200         |              |                | 1091-U142-01  | 8A-860         |
| 1054-U3       | 4A-310         | 1056-U17-PPPH | 4B-200         | 1072-01      | 8D-120         | 1091-U142-02  | 8A-860         |
| 1054-U4       | 4B-280         | 1056-U17-PVPH | 4B-200         | 1072-02      | 8D-120         | 1091-U142-03  | 8A-860         |
| 1054-U5       | 4B-280         |               |                | 1072-03      | 8D-120         | 1091-U143     | 8A-440         |
| 1054-U5-PH    | 4B-280         | 1056-U18      | 4B-200         |              |                | 1091-U143-02  | 8A-440         |
| 1054-U6       | 4B-290         | 1056-U19      | 4B-210         | 1072-U1      | 8D-120         | 1091-U143-01V | 8A-440         |
| 1054-U7       | 4B-280         | 1056-U20      | 4B-210         | 1072-U11     | 8D-120         | 1091-U172-30  | 8D-620         |
| 1054-U8       | 4A-310         | 1056-U21      | 4B-230         | 1072-U12     | 8D-120         | 1091-U172-50  | 8D-620         |
| 1054-U9       | 4A-310         | 1056-U22      | 4B-230         | 1072-U13     | 8D-120         |               |                |
| 1054-U9       | 4A-310         | 1056-U23      | 4B-230         | 1072-U14     | 8D-120         | 1092-03       | 2B-180         |
| 1054-U10      | 4B-280         | 1056-U24      | 4B-230         | 1072-U15     | 8D-120         |               |                |
| 1054-U11      | 4B-290         | 1056-U25      | 4B-230         | 1072-U16     | 8D-120         | 1092-U03      | 2B-180         |
| 1054-U12      | 4B-290         | 1056-U26      | 4B-230         | 1072-U17     | 8D-120         | 1092-U04      | 2B-180         |
| 1054-U13      | 4B-290         | 1056-U27      | 4B-215         |              |                |               |                |
| 1054-U14      | 4A-310         | 1056-U28      | 4B-215         | 1076-15      | 8A-620         | 1095-05       | 6A-120         |
| 1054-U15      | 4A-310         | 1056-U29      | 4B-215         | 1076-19      | 8A-620         | 1095-06       | 6A-120         |
| 1054-U16      | 4A-310         | 1056-U30      | 4B-190         | 1076-20      | 8A-620         | 1095-07       | 6A-220         |
| 1054-U17      | 4A-310         | 1056-U30-01   | 4B-190         |              |                | 1095-08       | 6A-220         |
| 1054-U18      | 4B-280         | 1056-U31      | 4B-200         | 1076-U5      | 8A-240         | 1095-08       | 6A-240         |
| 1054-U19      | 4B-280         | 1056-U32      | 4B-190         | 1076-U6      | 8A-240         | 1095-09       | 6A-220         |
| 1054-U20      | 4B-280         | 1056-U33      | 4B-240         | 1076-U7      | 8A-240         | 1095-09       | 6A-240         |
| 1054-U21      | 4B-280         | 1056-U34      | 4A-285         | 1076-U8      | 8A-240         | 1095-10       | 6A-220         |
| 1054-U22      | 4B-280         | 1056-U34-PH   | 4A-285         | 1076-U9      | 8A-240         | 1095-10       | 6A-240         |
| 1054-U23      | 4A-310         | 1056-U35      | 4B-240         | 1076-U10     | 8A-240         | 1095-11       | 6A-220         |
| 1054-U24      | 4A-310         | 1056-U37      | 4B-245         | 1076-U11     | 8A-240         | 1095-11       | 6A-240         |
| 1054-U25      | 4A-310         | 1056-U38      | 4B-245         | 1076-U12     | 8A-240         | 1095-12-L     | 6A-220         |
| 1054-U26      | 4A-310         | 1056-U39      | 4B-245         | 1076-U13     | 8A-620         | 1095-12-L     | 6A-240         |
| 1054-U27      | 4B-280         | 1056-U40      | 4B-245         |              |                | 1095-13       | 6A-220         |
| 1054-U28      | 4B-280         | 1056-U41      | 4B-190         | 1079-U2      | 4A-285         | 1095-13       | 6A-240         |
| 1054-U29      | 4B-280         | 1056-U42      | 4B-200         | 1079-U4      | 4A-285         | 1095-14       | 6A-220         |
| 1054-U30      | 4A-280         | 1056-U43      | 4B-240         | 1079-U5-PH   | 4A-285         | 1095-14       | 6A-240         |
| 1054-U31      | 4B-260         | 1056-U44      | 4B-240         |              |                | 1095-19       | 6A-120         |
| 1054-U31-01   | 4B-260         | 1056-U49      | 4B-240         | 1080-U1      | 8A-520         | 1095-20       | 6A-220         |
| 1054-U32      | 4B-260         | 1056-U50      | 4B-240         |              |                | 1095-21       | 6A-220         |
| 1054-U32-01   | 4B-260         | 1056-U51      | 8E-120         | 1085-U1      | 8A-320         | 1095-24-200AA | 6A-140         |
| 1054-U33-01   | 4B-250         | 1056-U53      | 4B-212         |              |                | 1095-24-200KB | 6A-140         |
| 1054-U33-02   | 4B-250         | 1056-U53-PH   | 4B-212         | 1087-U1      | 8C-220         | 1095-24-250AA | 6A-140         |
| 1054-U34-01   | 4B-250         | 1056-U54      | 4B-212         | 1087-U1-PC   | 8C-220         | 1095-24-250KB | 6A-140         |
| 1054-U34-02   | 4B-250         | 1056-U54-PH   | 4B-212         | 1087-U4      | 8C-220         | 1095-24-300AA | 6A-140         |
| 1054-U35-01   | 4B-250         | 1056-U55      | 4B-212         |              |                | 1095-24-300KB | 6A-140         |
| 1054-U35-02   | 4B-250         | 1056-U55-PH   | 4B-212         | 1089-U1      | 2B-220         | 1095-24-350AA | 6A-140         |
| 1054-U36-LI   | 4B-255         | 1056-U56      | 4B-212         | 1089-U1      | 3XB-120        | 1095-24-350KB | 6A-140         |
| 1054-U36-RE   | 4B-255         | 1056-U56-PH   | 4B-212         | 1089-U1      | 3XB-220        | 1095-25-200AA | 6A-140         |
| 1054-U37      | 4B-248         | 1056-U57      | 4B-213         | 1089-U1      | 3XB-320        | 1095-25-200KB | 6A-140         |
| 1054-U39      | 4B-320         | 1056-U57-PH   | 4B-213         | 1089-U2      | 2B-220         | 1095-25-300AA | 6A-140         |
| 1054-U42-01   | 4B-252         | 1056-U58      | 4B-213         | 1089-U2      | 3XB-120        | 1095-25-300KB | 6A-140         |
| 1054-U43-01   | 4B-253         | 1056-U58-PH   | 4B-213         | 1089-U2      | 3XB-220        | 1095-26-100AA | 6A-160         |
| 1054-U44-01   | 4B-253         | 1056-U59      | 4B-210         | 1089-U2      | 3XB-320        | 1095-26-100KB | 6A-160         |
|               |                | 1056-U59-PH   | 4B-210         | 1089-U3      | 2B-220         | 1095-26-100NA | 6A-160         |
| 1055-U2       | 4A-250         | 1056-U60      | 4B-190         | 1089-U4      | 2B-220         | 1095-26-112AA | 6A-160         |
| 1055-U3       | 4B-160         | 1056-U61      | 4B-190         | 1089-U4      | 3XA-120        | 1095-26-112KB | 6A-160         |
| 1055-U4       | 4B-160         | 1056-U62      | 4B-243         | 1089-U5      | 3XA-120        | 1095-26-112NA | 6A-160         |
| 1055-U5       | 4A-250         | 1056-U63      | 4B-243         | 1089-U6      | 3XA-120        | 1095-26-112PC | 6A-160         |
| 1055-U6       | 4A-250         | 1056-U64      | 4B-243         |              |                | 1095-26-128AA | 6A-160         |
| 1055-U7       | 4B-160         | 1056-U65      | 4B-243         | 1091-152-30G | 8D-620         | 1095-26-128KB | 6A-160         |
| 1055-U8       | 4A-250         | 1056-U66      | 4B-207         | 1091-152-40G | 8D-620         | 1095-26-128NA | 6A-160         |
| 1055-U9       | 4B-160         | 1056-U66-HW   | 4B-207         | 1091-152-50G | 8D-620         | 1095-26-128PC | 6A-160         |
|               |                | 1056-U68      | 4B-207         | 1091-152-60G | 8D-620         | 1095-26-160AA | 6A-160         |
|               |                | 1056-U69      | 4B-205         |              |                | 1095-26-160KB | 6A-160         |
| 1056-U3       | 4B-190         | 1056-U110     | 4B-180         | 1091-U114    | 8A-420         | 1095-26-160NA | 6A-160         |
| 1056-U4       | 4B-190         |               |                | 1091-U114-01 | 8A-420         | 1095-26-160PC | 6A-160         |
| 1056-U5       | 4B-190         | 1057-U1       | 1B-820         | 1091-U115    | 8A-420         | 1095-26-192AA | 6A-160         |
| 1056-U5-PH    | 4B-190         | 1057-U2       | 1B-820         | 1091-U115-01 | 8A-420         | 1095-26-192KB | 6A-160         |
| 1056-U5-PPPH  | 4B-190         |               |                | 1091-U116    | 8A-420         | 1095-26-192NA | 6A-160         |
| 1056-U5-PVPH  | 4B-190         | 1059-U1       | 2B-140         | 1091-U117    | 4B-300         | 1095-26-200AA | 6A-160         |
| 1056-U6       | 4B-190         | 1059-U1       | 2B-220         | 1091-U122    | 8A-860         | 1095-26-200KB | 6A-160         |
| 1056-U6-01    | 4B-185         | 1059-U2       | 2B-140         | 1091-U123    | 8A-860         | 1095-26-300AA | 6A-160         |
| 1056-U7       | 4B-200         | 1059-U2       | 2B-220         | 1091-U124    | 8A-860         | 1095-26-300KB | 6A-160         |
| 1056-U8       | 4B-200         |               |                | 1091-U125    | 8A-860         | 1095-26-300NA | 6A-160         |
| 1056-U9       | 4B-200         | 1068-U1       | 2A-120         | 1091-U126    | 8A-860         | 1095-26-400AA | 6A-160         |
| 1056-U9-PH    | 4B-200         | 1068-U1       | 2B-140         | 1091-U127    | 8A-860         | 1095-26-400KB | 6A-160         |
| 1056-U9-PPPH  | 4B-200         | 1068-U2       | 2A-120         | 1091-U128    | 8A-860         | 1095-26-400NA | 6A-160         |
| 1056-U9-PVPH  | 4B-200         | 1068-U2       | 2B-140         | 1091-U129    | 8A-860         | 1095-26-500AA | 6A-160         |
| 1056-U10      | 4B-200         |               |                | 1091-U130    | 8A-860         | 1095-26-500KB | 6A-160         |
| 1056-U10-01   | 4B-185         | 1069-U1       | 4A-120         | 1091-U131    | 8A-860         | 1095-26-500NA | 6A-160         |
| 1056-U11      | 4B-205         | 1069-U2       | 4A-120         | 1091-U132    | 8A-860         | 1095-27-112AA | 6A-160         |
| 1056-U12      | 4B-205         | 1069-U3       | 4A-120         | 1091-U133    | 8A-860         | 1095-27-112KB | 6A-160         |
| 1056-U13      | 4B-205         | 1069-U4       | 4A-120         | 1091-U134    | 8A-860         | 1095-27-112NA | 6A-160         |
| 1056-U13-PH   | 4B-205         | 1069-U5       | 4A-120         | 1091-U135    | 8A-860         | 1095-27-128AA | 6A-160         |
| 1056-U13-PPPH | 4B-205         | 1069-U6       | 4A-120         | 1091-U136    | 8A-860         | 1095-27-128KB | 6A-160         |
| 1056-U13-PVPH | 4B-205         | 1069-U7       | 4A-134         | 1091-U137    | 8A-860         | 1095-27-128NA | 6A-160         |
| 1056-U14      | 4B-205         | 1069-U8       | 4A-134         | 1091-U138    | 8A-860         |               |                |

| Part no.       | Catalogue page | Part no.       | Catalogue page | Part no.       | Catalogue page | Part no.     | Catalogue page |
|----------------|----------------|----------------|----------------|----------------|----------------|--------------|----------------|
| 1095-27-160AA  | 6A-160         | 1095-U26-600NA | 6A-320         | 1095-U38-125PK | 6A-200         | 1107-U6      | 3YC-120        |
| 1095-27-160KB  | 6A-160         | 1095-U27-200AA | 6A-320         | 1095-U39-200PK | 6A-200         | 1107-U14-G   | 3A-220         |
| 1095-27-160NA  | 6A-160         | 1095-U27-200NA | 6A-320         |                |                | 1107-U32-G   | 3A-120         |
| 1095-28-116AA  | 6A-160         | 1095-U27-250AA | 6A-320         | 1097-U1        | 8C-160         | 1107-U88     | 3YB-420        |
| 1095-28-116KB  | 6A-160         | 1095-U27-250NA | 6A-320         | 1097-U2        | 8C-160         | 1107-U88     | 3YC-120        |
| 1095-28-116NA  | 6A-160         | 1095-U27-300AA | 6A-320         | 1097-U5        | 8C-140         | 1107-U96-G   | 3A-140         |
| 1095-28-116PH  | 6A-160         | 1095-U27-300NA | 6A-320         | 1097-U5-PC     | 8C-140         | 1107-U102-G  | 3A-120         |
| 1095-28-132AA  | 6A-160         | 1095-U27-400AA | 6A-320         | 1097-U6        | 8C-140         | 1107-U104-G  | 3A-220         |
| 1095-28-132KB  | 6A-160         | 1095-U27-400NA | 6A-320         |                |                | 1107-U112    | 3YC-120        |
| 1095-28-132NA  | 6A-160         | 1095-U27-500AA | 6A-320         | 1098-U1        | 2B-190         | 1107-U113    | 3YC-120        |
| 1095-28-164AA  | 6A-160         | 1095-U27-500NA | 6A-320         | 1098-U2        | 2B-190         | 1107-U114    | 3YC-120        |
| 1095-28-164KB  | 6A-160         | 1095-U27-600AA | 6A-320         |                |                | 1107-U115    | 3YC-120        |
| 1095-28-164NA  | 6A-160         | 1095-U27-600NA | 6A-320         | 1099-03        | 2B-230         | 1107-U116    | 3YC-120        |
| 1095-28-196AA  | 6A-160         | 1095-U28-200AA | 6A-340         | 1099-U1        | 2B-230         | 1107-U117    | 3YC-120        |
| 1095-28-196KB  | 6A-160         | 1095-U28-200NA | 6A-340         | 1099-U4        | 2B-230         | 1107-U118    | 3YC-120        |
| 1095-28-196NA  | 6A-160         | 1095-U28-250AA | 6A-340         | 1099-U6        | 2B-230         | 1107-U119    | 3YB-420        |
| 1095-29-120AA  | 6A-180         | 1095-U28-250NA | 6A-340         |                |                | 1107-U119    | 3YC-120        |
| 1095-29-120KB  | 6A-180         | 1095-U28-300AA | 6A-340         | 1101-03        | 5A-200         | 1107-U120    | 3YB-420        |
| 1095-29-180AA  | 6A-180         | 1095-U28-300NA | 6A-340         |                |                | 1107-U120    | 3YC-120        |
| 1095-29-180KB  | 6A-180         | 1095-U28-400AA | 6A-340         | 1102-U1        | 2A-140         | 1107-U121    | 3YB-420        |
| 1095-30-120AA  | 6A-180         | 1095-U28-400NA | 6A-340         | 1102-U2        | 2A-140         | 1107-U121    | 3YC-120        |
| 1095-30-120KB  | 6A-180         | 1095-U28-500AA | 6A-340         | 1102-U3        | 2A-140         | 1107-U122    | 3YB-420        |
| 1095-30-180AA  | 6A-180         | 1095-U28-500NA | 6A-340         | 1102-U4        | 2A-140         | 1107-U122    | 3YC-120        |
| 1095-30-180KB  | 6A-180         | 1095-U28-600AA | 6A-340         | 1102-U5        | 2A-140         | 1107-U123    | 3YB-420        |
| 1095-31-200AA  | 6A-440         | 1095-U28-600NA | 6A-340         | 1102-U6        | 2A-140         | 1107-U123    | 3YC-120        |
| 1095-32-200AA  | 6A-440         | 1095-U29-200AA | 6A-340         | 1102-U7        | 2A-140         | 1107-U124    | 3YB-420        |
| 1095-35        | 6A-120         | 1095-U29-200NA | 6A-340         | 1102-U8        | 2A-140         | 1107-U124    | 3YC-120        |
| 1095-36        | 6A-120         | 1095-U29-250AA | 6A-340         | 1102-U9        | 2A-140         | 1107-U125    | 3YB-420        |
| 1095-36-WI     | 6A-120         | 1095-U29-250NA | 6A-340         | 1102-U10       | 2A-140         | 1107-U125    | 3YC-120        |
| 1095-37        | 6A-120         | 1095-U29-300AA | 6A-340         | 1102-U11       | 2A-140         | 1107-U126    | 3YB-420        |
| 1095-37-WI     | 6A-120         | 1095-U29-300NA | 6A-340         | 1102-U12       | 2A-140         | 1107-U126    | 3YC-120        |
| 1095-38-125AA  | 6A-190         | 1095-U29-400AA | 6A-340         |                |                | 1107-U127    | 3YB-420        |
| 1095-38-125PC  | 6A-190         | 1095-U29-400NA | 6A-340         | 1103-U1        | 2A-140         | 1107-U127    | 3YC-120        |
| 1095-38-125RA  | 6A-190         | 1095-U29-500AA | 6A-340         | 1103-U2        | 2A-140         | 1107-U128    | 3YB-420        |
| 1095-38-250AA  | 6A-190         | 1095-U29-500NA | 6A-340         | 1103-U3        | 2A-140         | 1107-U128    | 3YC-120        |
| 1095-38-250PC  | 6A-190         | 1095-U29-600AA | 6A-340         | 1103-U4        | 2A-140         | 1107-U129    | 3YB-420        |
| 1095-38-250RA  | 6A-190         | 1095-U29-600NA | 6A-340         | 1103-U5        | 2A-140         | 1107-U129    | 3YC-120        |
| 1095-39-125PC  | 6A-190         | 1095-U30-200AA | 6A-360         | 1103-U6        | 2A-140         | 1107-U130    | 3YB-420        |
| 1095-40-100AA  | 6A-200         | 1095-U30-200NA | 6A-360         | 1103-U7        | 2A-140         | 1107-U130    | 3YC-120        |
| 1095-40-120AA  | 6A-200         | 1095-U30-250AA | 6A-360         | 1103-U8        | 2A-140         | 1107-U131    | 3YB-420        |
| 1095-40-180AA  | 6A-200         | 1095-U30-250NA | 6A-360         | 1103-U9        | 2A-140         | 1107-U131    | 3YC-120        |
| 1095-40-200AA  | 6A-200         | 1095-U30-300AA | 6A-360         | 1103-U10       | 2A-140         | 1107-U132    | 3YB-420        |
| 1095-41-500AA  | 6A-210         | 1095-U30-300NA | 6A-360         | 1103-U11       | 2A-140         | 1107-U132    | 3YC-120        |
| 1095-41-600AA  | 6A-210         | 1095-U30-400AA | 6A-360         | 1103-U12       | 2A-140         | 1107-U133    | 3YB-420        |
| 1095-41-800AA  | 6A-210         | 1095-U30-400NA | 6A-360         | 1103-U13       | 2A-140         | 1107-U133    | 3YC-120        |
| 1095-42-100AA  | 6A-160         | 1095-U30-500AA | 6A-360         | 1103-U14       | 2A-140         | 1107-U134    | 3YB-420        |
| 1095-42-100KB  | 6A-160         | 1095-U30-500NA | 6A-360         | 1103-U15       | 2A-140         | 1107-U134    | 3YC-120        |
| 1095-42-112AA  | 6A-160         | 1095-U30-600AA | 6A-360         | 1103-U16       | 2A-140         | 1107-U135    | 3YB-420        |
| 1095-42-112KB  | 6A-160         | 1095-U30-600NA | 6A-360         | 1103-U17       | 2A-140         | 1107-U135    | 3YC-120        |
| 1095-42-112PS  | 6A-160         | 1095-U31-200AA | 6A-360         | 1103-U18       | 2A-140         | 1107-U158-G  | 3A-120         |
| 1095-42-120AA  | 6A-160         | 1095-U31-200NA | 6A-360         | 1103-U19       | 2A-140         | 1107-U159-G  | 3A-120         |
| 1095-42-120KB  | 6A-160         | 1095-U31-250AA | 6A-360         | 1103-U20       | 2A-140         | 1107-U164-G  | 3A-140         |
| 1095-42-128AA  | 6A-160         | 1095-U31-250NA | 6A-360         | 1103-U21       | 2A-140         | 1107-U169-G  | 3A-120         |
| 1095-42-128KB  | 6A-160         | 1095-U31-300AA | 6A-360         | 1103-U22       | 2A-140         | 1107-U170    | 3A-120         |
| 1095-42-128PS  | 6A-160         | 1095-U31-300NA | 6A-360         | 1103-U23       | 2A-140         | 1107-U170    | 3A-140         |
| 1095-42-160AA  | 6A-160         | 1095-U31-400AA | 6A-360         | 1103-U24       | 2A-140         | 1107-U170    | 3AB-140        |
| 1095-42-160KB  | 6A-160         | 1095-U31-400NA | 6A-360         | 1103-U25       | 2A-140         | 1107-U242-25 | 3YC-140        |
| 1095-42-160PS  | 6A-160         | 1095-U31-500AA | 6A-360         | 1103-U26       | 2A-140         | 1107-U243-25 | 3YC-140        |
|                |                | 1095-U31-500NA | 6A-360         | 1103-U27       | 2A-140         | 1107-U246    | 3YB-460        |
| 1095-U01       | 6A-240         | 1095-U31-600AA | 6A-360         | 1103-U28       | 2A-140         | 1107-U246    | 3YC-180        |
| 1095-U24-250AA | 6A-140         | 1095-U31-600NA | 6A-360         | 1103-U29       | 2A-140         | 1107-U246-PH | 3YB-460        |
| 1095-U24-250KB | 6A-140         | 1095-U32-AA    | 6A-420         | 1103-U30       | 2A-140         | 1107-U246-PH | 3YC-180        |
| 1095-U24-300AA | 6A-140         | 1095-U32-100IA | 6A-420         | 1103-U31       | 2A-140         |              |                |
| 1095-U24-300KB | 6A-140         | 1095-U32-100PF | 6A-420         | 1103-U32       | 2A-140         | 1108-U35     | 8B-140         |
| 1095-U24-350AA | 6A-140         | 1095-U32-120IA | 6A-420         | 1103-U33       | 2A-140         | 1108-U36     | 8B-140         |
| 1095-U24-350KB | 6A-140         | 1095-U32-120PF | 6A-420         | 1103-U34       | 2A-140         | 1108-U37     | 8B-140         |
| 1095-U24-400AA | 6A-140         | 1095-U32-180IA | 6A-420         | 1103-U35       | 2A-140         | 1108-U38     | 8B-140         |
| 1095-U24-400KB | 6A-140         | 1095-U32-180PF | 6A-420         | 1103-U36       | 2A-140         | 1108-U52     | 3XB-120        |
| 1095-U25-250AA | 6A-140         | 1095-U33-100AA | 6A-420         | 1103-U37       | 2A-140         | 1108-U52-V   | 3XB-120        |
| 1095-U25-250KB | 6A-140         | 1095-U33-200AA | 6A-420         | 1103-U38       | 2A-140         |              |                |
| 1095-U25-350AA | 6A-140         | 1095-U33-300AA | 6A-420         | 1103-U39       | 2A-140         | 1109-09-AA   | 2B-220         |
| 1095-U25-350KB | 6A-140         | 1095-U33-400AA | 6A-420         | 1103-U40       | 2A-140         | 1109-09-AA   | 3G-320         |
| 1095-U25-500AA | 6A-140         | 1095-U33-500AA | 6A-420         |                |                | 1109-09-AA   | 3XB-120        |
| 1095-U25-500KB | 6A-140         | 1095-U35-100AA | 6A-190         | 1105-U1        | 4A-280         | 1109-09-AA   | 3XB-220        |
| 1095-U26-200AA | 6A-320         | 1095-U35-100PF | 6A-190         |                |                | 1109-990     | 3XC-120        |
| 1095-U26-200NA | 6A-320         | 1095-U35-100PK | 6A-190         | 1107-11-03AA   | 3AB-140        |              |                |
| 1095-U26-250AA | 6A-320         | 1095-U35-100RA | 6A-190         | 1107-53        | 3A-120         | 1109-U1-N    | 3XB-120        |
| 1095-U26-250NA | 6A-320         | 1095-U35-200AA | 6A-190         | 1107-53        | 3A-140         | 1109-U2-N    | 3XB-120        |
| 1095-U26-300AA | 6A-320         | 1095-U35-200PF | 6A-190         | 1107-53        | 3AB-140        | 1109-U3      | 3XB-120        |
| 1095-U26-300NA | 6A-320         | 1095-U35-200PK | 6A-190         |                |                | 1109-U4-N    | 3XB-120        |
| 1095-U26-400AA | 6A-320         | 1095-U35-200RA | 6A-190         | 1107-U1-G      | 3A-120         | 1109-U5-N    | 3B-420         |
| 1095-U26-400NA | 6A-320         | 1095-U36-500AA | 6A-210         | 1107-U2-G      | 3A-120         | 1109-U5-N    | 3XB-120        |
| 1095-U26-500AA | 6A-320         | 1095-U36-600AA | 6A-210         | 1107-U5        | 3YB-420        | 1109-U6-N    | 3XB-120        |
| 1095-U26-500NA | 6A-320         | 1095-U36-800AA | 6A-210         | 1107-U5        | 3YC-120        | 1109-U7-N    | 3XB-120        |
| 1095-U26-600AA | 6A-320         | 1095-U37-AA    | 6A-440         | 1107-U6        | 3YB-420        | 1109-U8-N    | 3XB-120        |

Info  
1 Quarter turns  
2 Rod controls  
3 Locking systems  
4 Hinges  
5 Seals  
6 Handles  
7 Aluminium windows  
8 Miscellaneous  
9 Special catalogues

Info

1 Quarter turns

2 Rod controls

3 Locking systems

4 Hinges

5 Seals

6 Handles

7 Aluminium windows

8 Miscellaneous

9 Special catalogues

| Part no.    | Catalogue page | Part no.     | Catalogue page | Part no.      | Catalogue page | Part no.      | Catalogue page |
|-------------|----------------|--------------|----------------|---------------|----------------|---------------|----------------|
| 1109-U9-N   | 3XB-120        | 1110-39-02   | 4B-240         | 1121-18-02    | 3ZA-610        | 1121-U17      | 3BA-120        |
| 1109-U10-N  | 3XB-120        | 1110-39-03   | 4A-220         | 1121-18-02PH  | 3ZA-1220       | 1121-U17      | 3G-120         |
| 1109-U11-N  | 3XB-120        | 1110-39-03   | 4B-240         | 1121-19       | 3ZC-120        | 1121-U17      | 3H-120         |
| 1109-U12-N  | 3XB-120        |              |                | 1121-19-N     | 3ZC-120        | 1121-U17-PH   | 3B-120         |
| 1109-U13-N  | 3XB-120        | 1110-U1      | 4A-121         | 1121-32       | 3B-120         | 1121-U18      | 3B-120         |
| 1109-U14-N  | 3XB-120        | 1110-U2      | 4A-150         | 1121-32       | 3BA-120        | 1121-U18      | 3BA-120        |
| 1109-U15-N  | 3XB-120        | 1110-U3      | 4A-150         | 1121-32       | 3BA-120        | 1121-U18      | 3G-120         |
| 1109-U17-N  | 3XB-120        | 1110-U4-N    | 4A-150         | 1121-32       | 3G-120         | 1121-U18      | 3H-120         |
| 1109-U18    | 3XA-120        | 1110-U5-N    | 4A-150         | 1121-32       | 3H-120         | 1121-U19-06   | 3B-120         |
| 1109-U18-01 | 3XB-320        | 1110-U5-NPH  | 4A-150         | 1121-53-P     | 3ZA-1220       | 1121-U19-N6   | 3B-120         |
| 1109-U19    | 3XA-120        | 1110-U19     | 4A-140         | 1121-54-P     | 3ZA-1220       | 1121-U20-06   | 3B-120         |
| 1109-U19-01 | 3XB-320        | 1110-U20     | 4A-140         | 1121-68-01RA  | 3ZA-260        | 1121-U20-N6   | 3B-120         |
| 1109-U20    | 3XA-120        | 1110-U21     | 4A-140         | 1121-68-03RA  | 3ZA-260        | 1121-U22-06   | 3B-120         |
| 1109-U20-01 | 3XB-320        | 1110-U22     | 4A-140         | 1121-68-05RA  | 3ZA-260        | 1121-U22-6PH  | 3B-120         |
| 1109-U21    | 3XA-120        | 1110-U23     | 4A-140         | 1121-68-07RA  | 3ZA-260        | 1121-U23-06   | 3B-120         |
| 1109-U21-01 | 3XB-320        | 1110-U24     | 4A-140         | 1121-70       | 3ZA-1220       | 1121-U24      | 3B-120         |
| 1109-U22    | 3XA-120        | 1110-U26     | 4A-450         | 1121-70-01    | 3ZA-1220       | 1121-U24      | 3BA-120        |
| 1109-U22-01 | 3XB-320        | 1110-U50     | 4A-150         | 1121-70-04SK  | 3ZA-1220       | 1121-U24      | 3H-120         |
| 1109-U23    | 3XA-120        | 1110-U51     | 4A-150         | 1121-71-01PC  | 3ZA-220        | 1121-U25      | 3YA-820        |
| 1109-U23-01 | 3XB-320        | 1110-U52     | 4A-170         | 1121-71-01RA  | 3ZA-220        | 1121-U26-C    | 3YA-120        |
| 1109-U24    | 3XA-120        | 1110-U53     | 4A-170         | 1121-71-01TA  | 3ZA-220        | 1121-U26-K    | 3YA-110        |
| 1109-U24-01 | 3XB-320        | 1110-U66     | 4A-210         | 1121-71-03PC  | 3ZA-220        | 1121-U28-L    | 3ZB-120        |
| 1109-U25    | 3XA-120        | 1110-U67     | 4A-210         | 1121-71-03RA  | 3ZA-220        | 1121-U29-C    | 3YA-140        |
| 1109-U25-01 | 3XB-320        | 1110-U68     | 4A-210         | 1121-71-03TA  | 3ZA-220        | 1121-U30-L    | 3ZB-120        |
| 1109-U26    | 3XA-120        | 1110-U69     | 4A-210         | 1121-71-05PC  | 3ZA-220        | 1121-U37-C    | 3YA-160        |
| 1109-U26-01 | 3XB-320        | 1110-U70     | 4A-210         | 1121-71-05RA  | 3ZA-220        | 1121-U38-C    | 3YA-120        |
| 1109-U27    | 3XA-120        | 1110-U71     | 4A-210         | 1121-71-05TA  | 3ZA-220        | 1121-U39-C    | 3YA-140        |
| 1109-U27-01 | 3XB-320        | 1110-U78     | 4A-220         | 1121-71-07PC  | 3ZA-220        | 1121-U40      | 3YA-820        |
| 1109-U28    | 3XA-120        | 1110-U79     | 4A-220         | 1121-71-07RA  | 3ZA-220        | 1121-U51-C    | 3YA-220        |
| 1109-U28-01 | 3XB-320        | 1110-U80     | 4A-220         | 1121-71-07TA  | 3ZA-220        | 1121-U52-C    | 3YA-240        |
| 1109-U29    | 3XA-120        | 1110-U81     | 4A-220         | 1121-89       | 3ZC-120        | 1121-U53-C    | 3YA-220        |
| 1109-U29-01 | 3XB-320        | 1110-U82     | 4A-220         | 1121-89-11    | 3ZA-610        | 1121-U60-C    | 3YA-160        |
| 1109-U30    | 3XA-120        | 1110-U83     | 4A-220         | 1121-89-11    | 3ZC-120        | 1121-U61-C    | 3YA-160        |
| 1109-U30-01 | 3XB-320        | 1110-U86     | 4A-190         | 1121-89-CX    | 3ZC-120        | 1121-U62-06   | 3B-120         |
| 1109-U31    | 3XA-120        | 1110-U104    | 4A-210         | 1121-106      | 3ZA-600        | 1121-U63-06   | 3B-120         |
| 1109-U31-01 | 3XB-320        | 1110-U105    | 4A-210         | 1121-106      | 3ZA-610        | 1121-U63-N6   | 3B-120         |
| 1109-U32    | 3XA-120        | 1110-U106    | 4A-210         | 1121-106      | 3ZC-140        | 1121-U65      | 3YA-180        |
| 1109-U32-01 | 3XB-320        | 1110-U107    | 4A-210         | 1121-108-AA   | 3ZA-1240       | 1121-U71-N    | 3ZC-140        |
| 1109-U33    | 3XA-120        | 1110-U108    | 4A-210         | 1121-109      | 3ZC-140        | 1121-U71-PH   | 3ZC-140        |
| 1109-U33-01 | 3XB-320        | 1110-U109    | 4A-210         | 1121-112      | 3ZB-220        | 1121-U72      | 3B-120         |
| 1109-U34    | 3XA-120        | 1110-U111    | 4A-480         | 1121-113      | 3ZB-220        | 1121-U72      | 3BA-120        |
| 1109-U34-01 | 3XB-320        | 1110-U112    | 4A-460         | 1121-115      | 3ZA-340        | 1121-U72      | 3G-120         |
| 1109-U35    | 3XA-120        | 1110-U113    | 4A-460         | 1121-115-01   | 3ZA-340        | 1121-U74-N    | 3ZC-140        |
| 1109-U35-01 | 3XB-320        | 1110-U114    | 4A-450         | 1121-115-01CX | 3ZA-340        | 1121-U76      | 3ZA-1220       |
| 1109-U50    | 3XA-120        | 1110-U118    | 4A-210         | 1121-116-01   | 3ZA-340        | 1121-U76      | 3ZA-600        |
| 1109-U50-01 | 3XB-320        | 1110-U119    | 4A-210         | 1121-116-01CX | 3ZA-340        | 1121-U76      | 3ZA-610        |
| 1109-U51    | 3XA-120        | 1110-U120    | 4A-210         | 1121-117      | 3YA-720        | 1121-U85-C    | 3YA-120        |
| 1109-U51-01 | 3XB-320        | 1110-U120-PH | 4A-210         | 1121-127      | 3ZC-160        | 1121-U86-C    | 3YA-120        |
| 1109-U52    | 3XA-120        | 1110-U121    | 4A-210         | 1121-135      | 3ZC-170        | 1121-U91      | 3ZC-120        |
| 1109-U53    | 3XA-120        | 1110-U121-PH | 4A-210         | 1121-148      | 3ZA-605        | 1121-U99      | 3ZA-220        |
| 1109-U54-N  | 3XB-120        | 1110-U122    | 4A-215         | 1121-149      | 3ZA-605        | 1121-U100     | 3ZA-220        |
| 1109-U55-N  | 3XB-120        | 1110-U123    | 4A-170         | 1121-168-CX   | 3FA-130        | 1121-U101     | 3ZA-220        |
| 1109-U58    | 3XA-120        | 1110-U125    | 4A-140         | 1121-168-CX   | 3FA-150        | 1121-U105     | 3ZA-220        |
| 1109-U58-01 | 3XB-320        | 1110-U126    | 4A-215         | 1121-169      | 3ZD-200        | 1121-U106     | 3ZA-220        |
| 1109-U59    | 3XB-120        | 1110-U127    | 4A-138         |               |                | 1121-U107     | 3ZA-220        |
| 1109-U60    | 3XB-120        | 1110-U128    | 4A-138         | 1121-U1-C     | 3YA-160        | 1121-U111     | 3ZA-220        |
| 1109-U61    | 3XB-120        | 1110-U129    | 4A-138         | 1121-U1-K     | 3YA-115        | 1121-U112     | 3ZA-220        |
| 1109-U101   | 3XC-120        | 1110-U130    | 4A-138         | 1121-U11      | 3B-120         | 1121-U113     | 3ZA-220        |
| 1109-U103   | 3XC-120        | 1110-U130-IA | 4A-138         | 1121-U11      | 3BA-120        | 1121-U117     | 3ZA-220        |
| 1109-U104   | 3XC-120        | 1110-U131    | 4A-160         | 1121-U11      | 3G-120         | 1121-U118     | 3ZA-220        |
| 1109-U105   | 3XC-120        | 1110-U132    | 4A-160         | 1121-U11      | 3H-120         | 1121-U119     | 3ZA-220        |
| 1109-U106   | 3XC-120        | 1110-U133    | 4A-215         | 1121-U12      | 3B-120         | 1121-U123     | 3B-120         |
| 1109-U107   | 3XC-120        | 1110-U134    | 4A-145         | 1121-U12      | 3BA-120        | 1121-U123     | 3BA-120        |
| 1109-U108   | 3XC-120        | 1110-U135    | 4A-145         | 1121-U12      | 3G-120         | 1121-U123     | 3G-120         |
| 1109-U109   | 3XC-120        | 1110-U136    | 4A-145         | 1121-U12      | 3H-120         | 1121-U123     | 3H-120         |
| 1109-U110   | 3XC-120        | 1110-U137    | 4A-145         | 1121-U12-PH   | 3B-120         | 1121-U124-C   | 3YA-160        |
| 1109-U111   | 3XC-120        | 1110-U140    | 4A-139         | 1121-U13      | 3B-120         | 1121-U125-C   | 3YA-120        |
| 1109-U112   | 3XC-120        | 1110-U141    | 4A-160         | 1121-U13      | 3BA-120        | 1121-U126-C   | 3YA-220        |
| 1109-U113   | 3XC-120        | 1110-U142    | 4A-217         | 1121-U13      | 3G-120         | 1121-U132-06  | 3B-120         |
| 1109-U114   | 3XC-120        |              |                | 1121-U13      | 3H-120         | 1121-U133-06  | 3B-120         |
| 1109-U115   | 3XC-120        | 1117-U1      | 4C-120         | 1121-U14      | 3B-120         | 1121-U133-6PH | 3B-120         |
| 1109-U116   | 3XC-120        | 1117-U1-PF   | 4C-120         | 1121-U14      | 3BA-120        | 1121-U134-06  | 3B-120         |
| 1109-U117   | 3XC-120        | 1117-U2      | 4C-120         | 1121-U14      | 3G-120         | 1121-U135-06  | 3B-120         |
| 1109-U118   | 3XC-120        | 1117-U3      | 4C-120         | 1121-U14      | 3H-120         | 1121-U137     | 3ZA-1220       |
| 1109-U119   | 3XC-120        | 1117-U4      | 4C-120         | 1121-U14-PH   | 3B-120         | 1121-U138     | 3YA-160        |
| 1109-U120   | 3XC-120        | 1117-U4-PC   | 4C-120         | 1121-U15      | 3B-120         | 1121-U139     | 3YA-120        |
| 1109-U121   | 3XC-120        | 1117-U5      | 4C-120         | 1121-U15      | 3BA-120        | 1121-U140     | 3YA-440        |
| 1109-U122   | 3XC-120        | 1117-U5-PC   | 4C-120         | 1121-U15      | 3G-120         | 1121-U144-L   | 3ZB-320        |
| 1109-U123   | 3XC-120        | 1117-U6      | 4C-130         | 1121-U15      | 3H-120         | 1121-U144-L   | 3ZB-420        |
|             |                | 1117-U6-01   | 4C-130         | 1121-U16      | 3B-120         | 1121-U145-L   | 3ZB-520        |
|             |                | 1117-U6-02   | 4C-130         | 1121-U16      | 3BA-120        | 1121-U145-L   | 3ZB-620        |
| 1110-39     | 4A-210         |              |                | 1121-U16      | 3G-120         | 1121-U145-L   | 3ZB-820        |
| 1110-39     | 4A-215         |              |                | 1121-U16      | 3H-120         | 1121-U146-L   | 3ZB-440        |
| 1110-39-01  | 4A-210         | 1121-18-01   | 3ZA-1220       | 1121-U16      | 3B-120         | 1121-U146-L   | 3ZB-540        |
| 1110-39-01  | 4A-215         | 1121-18-02   | 3ZA-1220       | 1121-U16-PH   | 3B-120         | 1121-U146-L   | 3ZB-540        |
| 1110-39-02  | 4A-220         | 1121-18-02   | 3ZA-600        | 1121-U17      | 3B-120         | 1121-U146-L   | 3ZB-720        |

Index

| Part no.     | Catalogue page | Part no.      | Catalogue page | Part no.      | Catalogue page | Part no.     | Catalogue page |
|--------------|----------------|---------------|----------------|---------------|----------------|--------------|----------------|
| 1121-U147-L  | 3ZB-440        | 1123-U34-N6   | 3B-180         | 1125-U184-A   | 3B-420         | 1125-U253-A  | 3B-220         |
| 1121-U147-L  | 3ZB-540        | 1123-U35-06   | 3B-180         | 1125-U184-APH | 3B-420         | 1125-U253-NA | 3B-220         |
| 1121-U147-L  | 3ZB-720        | 1123-U36-06   | 3B-180         | 1125-U185-A   | 3B-220         | 1125-U254-A  | 3B-220         |
| 1121-U148    | 3ZB-120        | 1123-U37-06   | 3B-180         | 1125-U186-A   | 3B-220         | 1125-U254-NA | 3B-220         |
| 1121-U151    | 3ZC-120        | 1123-U38-06   | 3B-180         | 1125-U190-A   | 3B-220         | 1125-U255-A  | 3B-220         |
| 1121-U152    | 3ZA-1220       | 1123-U38-N6   | 3B-180         | 1125-U190-NA  | 3B-220         | 1125-U255-NA | 3B-220         |
| 1121-U153-C  | 3YA-160        | 1123-U39-06   | 3B-180         | 1125-U191-A   | 3B-220         | 1125-U256-A  | 3B-220         |
| 1121-U154-C  | 3YA-160        | 1123-U40-06   | 3B-180         | 1125-U191-NA  | 3B-220         | 1125-U256-NA | 3B-220         |
| 1121-U155    | 3ZA-260        | 1123-U41-06   | 3B-180         | 1125-U191-APH | 3B-220         | 1125-U257-A  | 3B-220         |
| 1121-U155-01 | 3ZA-1210       | 1123-U41-N6   | 3B-180         | 1125-U191-AQA | 3B-220         | 1125-U257-NA | 3B-220         |
| 1121-U158    | 3ZA-260        | 1123-U42-06   | 3B-180         | 1125-U193-A   | 3B-220         | 1125-U268-A  | 3B-220         |
| 1121-U158-01 | 3ZA-1210       |               |                | 1125-U194-A   | 3B-220         | 1125-U269-A  | 3B-220         |
| 1121-U161    | 3ZA-260        | 1125-73       | 3B-220         | 1125-U195-A   | 3B-220         | 1125-U275-A  | 3B-220         |
| 1121-U161-01 | 3ZA-1210       | 1125-81-010   | 3YB-120        | 1125-U195-NA  | 3B-220         | 1125-U276-A  | 3B-220         |
| 1121-U164    | 3ZA-260        | 1125-81-010   | 3YB-140        | 1125-U196-A   | 3B-220         | 1125-U282-A  | 3B-220         |
| 1121-U164-01 | 3ZA-1210       | 1125-81-015   | 3YB-120        | 1125-U196-NA  | 3B-220         | 1125-U282-NA | 3B-220         |
| 1121-U167    | 3B-120         | 1125-81-015   | 3YB-140        | 1125-U198-A   | 3B-220         | 1125-U283-A  | 3B-220         |
| 1121-U167    | 3BA-120        | 1125-81-020   | 3YB-120        | 1125-U200-A   | 3B-420         | 1125-U283-NA | 3B-220         |
| 1121-U167    | 3G-120         | 1125-81-020   | 3YB-140        | 1125-U201-A   | 3B-420         | 1125-U284    | 3YB-120        |
| 1121-U167    | 3H-120         | 1125-81-025   | 3YB-120        | 1125-U202-A   | 3B-220         | 1125-U284-PH | 3YB-120        |
| 1121-U168    | 3B-140         | 1125-81-025   | 3YB-140        | 1125-U202-NA  | 3B-220         | 1125-U285    | 3YB-120        |
| 1121-U169    | 3B-120         | 1125-81-030   | 3YB-120        | 1125-U203-A   | 3B-220         | 1125-U286    | 3YB-120        |
| 1121-U169    | 3BA-120        | 1125-81-030   | 3YB-140        | 1125-U203-NA  | 3B-220         | 1125-U286    | 3YB-140        |
| 1121-U169    | 3G-120         | 1125-81-040   | 3YB-120        | 1125-U206-A   | 3B-220         | 1125-U286-PH | 3YB-120        |
| 1121-U169    | 3H-120         | 1125-81-040   | 3YB-140        | 1125-U206-NA  | 3B-220         | 1125-U287    | 3YB-120        |
| 1121-U177-C  | 3YA-160        | 1125-81-050   | 3YB-120        | 1125-U207-A   | 3B-220         | 1125-U288    | 3YB-120        |
| 1121-U178-C  | 3YA-120        | 1125-81-050   | 3YB-140        | 1125-U207-NA  | 3B-220         | 1125-U289    | 3B-320         |
| 1121-U180-C  | 3YA-480        | 1125-81-060   | 3YB-120        | 1125-U210-A   | 3B-220         | 1130-U1      | 8A-120         |
| 1121-U181-C  | 3YA-480        | 1125-81-060   | 3YB-140        | 1125-U210-NA  | 3B-220         | 1130-U2      | 8A-120         |
| 1121-U187-L  | 3ZB-200        | 1125-81-080   | 3YB-120        | 1125-U211-A   | 3B-220         | 1130-U7      | 8A-170         |
| 1121-U188    | 3YA-840        | 1125-81-080   | 3YB-140        | 1125-U211-NA  | 3B-220         | 1130-U7-01   | 8A-170         |
| 1121-U189    | 3ZB-200        | 1125-81-100   | 3YB-120        | 1125-U212-A   | 3B-220         | 1130-U7-V    | 8A-170         |
| 1121-U194    | 3ZA-1210       | 1125-81-100   | 3YB-140        | 1125-U212-NA  | 3B-220         | 1130-U7-01V  | 8A-170         |
| 1121-U19A-06 | 3B-120         | 1125-81-110   | 3YB-120        | 1125-U213-A   | 3B-220         | 1130-U9      | 8A-160         |
| 1121-U203    | 3ZD-160        | 1125-81-110   | 3YB-140        | 1125-U213-NA  | 3B-220         | 1130-U13     | 8A-160         |
| 1121-U204    | 3ZD-160        | 1125-81-120   | 3YB-120        | 1125-U214-A   | 3B-220         | 1130-U15     | 8A-110         |
| 1121-U205    | 3ZD-220        | 1125-81-120   | 3YB-140        | 1125-U214-NA  | 3B-220         | 1130-U16     | 8A-110         |
| 1121-U206    | 3ZA-1120       | 1125-81-020PH | 3YB-120        | 1125-U215-A   | 3B-220         |              |                |
| 1121-U22A-06 | 3B-120         | 1125-81-020QA | 3YB-120        | 1125-U215-NA  | 3B-220         |              |                |
|              |                | 1125-83-010   | 3YB-120        | 1125-U216-A   | 3B-220         | 1150-B33     | 3C-160         |
| 1122-117     | 3YA-190        | 1125-83-010   | 3YB-140        | 1125-U216-NA  | 3B-220         |              |                |
|              |                | 1125-83-015   | 1C-125         | 1125-U217-A   | 3B-220         | 1150-U1      | 3C-120         |
| 1122-U26-K   | 3YA-190        | 1125-83-015   | 3YB-120        | 1125-U217-NA  | 3B-220         | 1150-U1-02   | 3C-120         |
|              |                | 1125-83-015   | 3YB-140        | 1125-U218-A   | 3B-220         | 1150-U1-03   | 3C-120         |
|              |                | 1125-83-020   | 1C-125         | 1125-U218-NA  | 3B-220         | 1150-U2-01   | 3C-120         |
| 1123-U1-06   | 3B-180         | 1125-83-020   | 3YB-120        | 1125-U219-A   | 3B-220         | 1150-U2-02   | 3C-120         |
| 1123-U1-N6   | 3B-180         | 1125-83-020   | 3YB-140        | 1125-U219-NA  | 3B-220         | 1150-U2-03   | 3C-120         |
| 1123-U2-06   | 3B-180         | 1125-83-025   | 3YB-120        | 1125-U220-A   | 3B-220         | 1150-U2-11   | 3C-720         |
| 1123-U2-N6   | 3B-180         | 1125-83-025   | 3YB-140        | 1125-U220-NA  | 3B-220         | 1150-U2-12   | 3C-720         |
| 1123-U3-06   | 3B-180         | 1125-83-030   | 3YB-120        | 1125-U221-A   | 3B-220         | 1150-U2-13   | 3C-730         |
| 1123-U3-N6   | 3B-180         | 1125-83-030   | 3YB-140        | 1125-U221-NA  | 3B-220         | 1150-U3      | 3C-120         |
| 1123-U4-06   | 3B-180         | 1125-83-040   | 3YB-120        | 1125-U222-A   | 3B-220         | 1150-U3-02   | 3C-120         |
| 1123-U5-06   | 3B-180         | 1125-83-040   | 3YB-140        | 1125-U222-NA  | 3B-220         | 1150-U3-03   | 3C-120         |
| 1123-U6-06   | 3B-180         | 1125-83-050   | 3YB-120        | 1125-U223-A   | 3B-220         | 1150-U4      | 3C-120         |
| 1123-U7-06   | 3B-180         | 1125-83-050   | 3YB-140        | 1125-U223-NA  | 3B-220         | 1150-U4-01   | 3C-120         |
| 1123-U7-N6   | 3B-180         | 1125-83-060   | 3YB-120        | 1125-U224-A   | 3B-220         | 1150-U4-02   | 3C-120         |
| 1123-U8-06   | 3B-180         | 1125-83-060   | 3YB-140        | 1125-U224-NA  | 3B-220         | 1150-U4-03   | 3C-120         |
| 1123-U8-N6   | 3B-180         | 1125-84-010   | 3YB-120        | 1125-U225-A   | 3B-220         | 1150-U4-11   | 3C-720         |
| 1123-U9-06   | 3B-180         | 1125-84-010   | 3YB-140        | 1125-U225-NA  | 3B-220         | 1150-U4-12   | 3C-720         |
| 1123-U9-N6   | 3B-180         | 1125-84-015   | 1C-125         | 1125-U236-A   | 3B-220         | 1150-U4-13   | 3C-730         |
| 1123-U10-06  | 3B-180         | 1125-84-015   | 3YB-120        | 1125-U236-NA  | 3B-220         | 1150-U9      | 3C-120         |
| 1123-U11-06  | 3B-180         | 1125-84-015   | 3YB-140        | 1125-U239-A   | 3B-220         | 1150-U9-01   | 3C-120         |
| 1123-U12-06  | 3B-180         | 1125-84-020   | 1C-125         | 1125-U239-NA  | 3B-220         | 1150-U9-02   | 3C-120         |
| 1123-U13-06  | 3B-180         | 1125-84-020   | 3YB-120        | 1125-U242-A   | 3B-220         | 1150-U9-03   | 3C-120         |
| 1123-U13-N6  | 3B-180         | 1125-84-020   | 3YB-140        | 1125-U242-NA  | 3B-220         | 1150-U9-11   | 3C-720         |
| 1123-U14-06  | 3B-180         | 1125-84-025   | 3YB-120        | 1125-U243-A   | 3B-220         | 1150-U9-12   | 3C-720         |
| 1123-U14-N6  | 3B-180         | 1125-84-025   | 3YB-140        | 1125-U243-NA  | 3B-220         | 1150-U9-13   | 3C-730         |
| 1123-U15-06  | 3B-180         | 1125-84-030   | 3YB-120        | 1125-U244-A   | 3B-220         | 1150-U10     | 3C-120         |
| 1123-U15-N6  | 3B-180         | 1125-84-030   | 3YB-140        | 1125-U244-NA  | 3B-220         | 1150-U10-01  | 3C-120         |
| 1123-U16-06  | 3B-180         | 1125-84-030   | 3YB-120        | 1125-U245-A   | 3B-220         | 1150-U10-02  | 3C-120         |
| 1123-U17-06  | 3B-180         | 1125-84-040   | 3YB-120        | 1125-U245-NA  | 3B-220         | 1150-U10-03  | 3C-120         |
| 1123-U18-06  | 3B-180         | 1125-84-040   | 3YB-140        | 1125-U246-A   | 3B-220         | 1150-U10-11  | 3C-720         |
| 1123-U19-06  | 3B-180         | 1125-84-050   | 3YB-120        | 1125-U246-NA  | 3B-220         | 1150-U10-12  | 3C-720         |
| 1123-U20-06  | 3B-180         | 1125-84-060   | 3YB-120        | 1125-U247-A   | 3B-220         | 1150-U10-13  | 3C-730         |
| 1123-U21-06  | 3B-180         | 1125-84-060   | 3YB-140        | 1125-U247-NA  | 3B-220         | 1150-U11     | 3C-120         |
| 1123-U22-06  | 3B-180         |               |                | 1125-U248-A   | 3B-220         | 1150-U11-01  | 3C-120         |
| 1123-U25-06  | 3B-180         | 1125-U51-A    | 3B-320         | 1125-U248-NA  | 3B-220         | 1150-U11-02  | 3C-120         |
| 1123-U26-06  | 3B-180         | 1125-U53-A    | 3B-320         | 1125-U249-A   | 3B-220         | 1150-U11-03  | 3C-120         |
| 1123-U27-06  | 3B-180         | 1125-U55-A    | 3B-320         | 1125-U249-NA  | 3B-220         | 1150-U11-11  | 3C-720         |
| 1123-U28-06  | 3B-180         | 1125-U56-A    | 3B-320         | 1125-U250-A   | 3B-220         | 1150-U11-12  | 3C-720         |
| 1123-U29-06  | 3B-180         | 1125-U57-A    | 3B-320         | 1125-U250-NA  | 3B-220         | 1150-U11-13  | 3C-730         |
| 1123-U30-06  | 3B-180         | 1125-U58-A    | 3B-320         | 1125-U251-A   | 3B-220         | 1150-U12     | 3C-120         |
| 1123-U31-06  | 3B-180         | 1125-U59-A    | 3B-320         | 1125-U251-NA  | 3B-220         | 1150-U12-01  | 3C-120         |
| 1123-U32-06  | 3B-180         | 1125-U60-A    | 3B-320         | 1125-U252-A   | 3B-220         | 1150-U12-02  | 3C-120         |
| 1123-U33-06  | 3B-180         | 1125-U61-A    | 3B-320         | 1125-U252-NA  | 3B-220         | 1150-U12-03  | 3C-120         |
| 1123-U34-06  | 3B-180         |               |                |               |                |              |                |

Info  
 1 Quarter turns  
 2 Rod controls  
 3 Locking systems  
 4 Hinges  
 5 Seals  
 6 Handles  
 7 Aluminium windows  
 8 Miscellaneous  
 9 Special catalogues

## Beschlagteile

Info

1 Quarter turns

2 Rod controls

3 Locking systems

4 Hinges

5 Seals

6 Handles

7 Aluminium windows

8 Miscellaneous

9 Special catalogues

Index

| Part no.    | Catalogue page | Part no.     | Catalogue page | Part no.     | Catalogue page | Part no.     | Catalogue page |
|-------------|----------------|--------------|----------------|--------------|----------------|--------------|----------------|
| 1150-U12-11 | 3C-720         | 1150-U29-03  | 3C-120         | 1151-05-01   | 3C-420         | 1160-U60     | 3D-120         |
| 1150-U12-12 | 3C-720         | 1150-U30     | 3C-120         |              |                | 1160-U61     | 3D-120         |
| 1150-U12-13 | 3C-730         | 1150-U30-02  | 3C-120         | 1151-U1      | 3C-420         | 1160-U62     | 3D-120         |
| 1150-U13    | 3C-120         | 1150-U30-03  | 3C-120         | 1151-U3      | 3C-440         | 1160-U63     | 3D-120         |
| 1150-U13-01 | 3C-120         | 1150-U31     | 3C-120         |              |                | 1160-U64     | 3D-120         |
| 1150-U13-02 | 3C-120         | 1150-U31-01  | 3C-120         | 1152-U1      | 3C-520         | 1160-U65     | 3D-120         |
| 1150-U13-03 | 3C-120         | 1150-U31-02  | 3C-120         | 1152-U2      | 3C-520         | 1160-U66     | 3D-120         |
| 1150-U13-11 | 3C-720         | 1150-U31-03  | 3C-120         | 1152-U3      | 3C-520         | 1160-U101    | 3D-220         |
| 1150-U13-12 | 3C-720         | 1150-U31-11  | 3C-720         | 1152-U4      | 3C-520         | 1160-U102    | 3D-220         |
| 1150-U13-13 | 3C-730         | 1150-U31-12  | 3C-720         | 1152-U9      | 3C-540         | 1160-U103    | 3D-220         |
| 1150-U14    | 3C-120         | 1150-U31-13  | 3C-730         | 1152-U9-01   | 3C-540         | 1160-U104    | 3D-220         |
| 1150-U14-01 | 3C-120         | 1150-U32     | 3C-120         | 1152-U10     | 3C-540         | 1160-U109    | 3D-220         |
| 1150-U14-02 | 3C-120         | 1150-U32-02  | 3C-120         | 1152-U10-01  | 3C-540         | 1160-U110    | 3D-220         |
| 1150-U14-03 | 3C-120         | 1150-U32-03  | 3C-120         | 1152-U11     | 3C-540         | 1160-U111    | 3D-220         |
| 1150-U14-11 | 3C-720         | 1150-U33-03  | 3C-140         | 1152-U11-01  | 3C-540         | 1160-U112    | 3D-220         |
| 1150-U14-12 | 3C-720         | 1150-U33-22  | 3C-740         | 1152-U12     | 3C-540         | 1160-U113    | 3D-220         |
| 1150-U14-13 | 3C-730         | 1150-U34-03  | 3C-140         | 1152-U12-01  | 3C-540         | 1160-U114    | 3D-220         |
| 1150-U15    | 3C-120         | 1150-U34-22  | 3C-740         |              |                | 1160-U115    | 3D-220         |
| 1150-U15-01 | 3C-120         | 1150-U35-03  | 3C-140         | 1153-U1      | 3C-320         | 1160-U116    | 3D-220         |
| 1150-U15-02 | 3C-120         | 1150-U35-22  | 3C-740         | 1153-U2      | 3C-320         | 1160-U117    | 3D-220         |
| 1150-U15-03 | 3C-120         | 1150-U35-30  | 3C-740         |              |                | 1160-U118    | 3D-220         |
| 1150-U15-11 | 3C-720         | 1150-U35-31  | 3C-740         | 1154-U1      | 3C-220         | 1160-U119    | 3D-220         |
| 1150-U15-12 | 3C-720         | 1150-U36-03  | 3C-140         | 1154-U2      | 3C-220         | 1160-U120    | 3D-220         |
| 1150-U15-13 | 3C-730         | 1150-U36-22  | 3C-740         | 1154-U3      | 3C-220         | 1160-U121    | 3D-220         |
| 1150-U16    | 3C-120         | 1150-U36-30  | 3C-740         | 1154-U4      | 3C-260         | 1160-U122    | 3D-220         |
| 1150-U16-01 | 3C-120         | 1150-U36-31  | 3C-740         | 1154-U5      | 3C-260         | 1160-U123    | 3D-220         |
| 1150-U16-02 | 3C-120         | 1150-U37-03  | 3C-140         | 1154-U6      | 3C-240         | 1160-U124    | 3D-220         |
| 1150-U16-03 | 3C-120         | 1150-U37-22  | 3C-740         | 1154-U6-02   | 3C-240         | 1160-U125    | 3D-220         |
| 1150-U16-11 | 3C-720         | 1150-U37-30  | 3C-740         | 1154-U6-03   | 3C-240         | 1160-U126    | 3D-220         |
| 1150-U16-12 | 3C-720         | 1150-U37-31  | 3C-740         | 1154-U6-V    | 3C-240         | 1160-U127    | 3D-220         |
| 1150-U16-13 | 3C-730         | 1150-U38-03  | 3C-140         | 1154-U6-02V  | 3C-240         | 1160-U128    | 3D-220         |
| 1150-U17    | 3C-120         | 1150-U38-22  | 3C-740         | 1154-U6-03V  | 3C-240         | 1160-U129    | 3D-220         |
| 1150-U17-01 | 3C-120         | 1150-U38-30  | 3C-740         |              |                | 1160-U130    | 3D-220         |
| 1150-U17-02 | 3C-120         | 1150-U38-31  | 3C-740         | 1155-U1      | 3C-620         | 1160-U131    | 3D-220         |
| 1150-U17-03 | 3C-120         | 1150-U39-03  | 3C-140         | 1155-U1-11   | 3C-750         | 1160-U132    | 3D-220         |
| 1150-U17-11 | 3C-720         | 1150-U39-22  | 3C-740         | 1155-U2      | 3C-620         | 1160-U135    | 3D-220         |
| 1150-U17-12 | 3C-720         | 1150-U39-30  | 3C-740         | 1155-U2-11   | 3C-750         | 1160-U136    | 3D-220         |
| 1150-U17-13 | 3C-730         | 1150-U39-31  | 3C-740         |              |                | 1160-U152    | 3D-220         |
| 1150-U18    | 3C-120         | 1150-U40-03  | 3C-140         | 1160-08-01RA | 3ZA-420        | 1160-U153    | 3D-220         |
| 1150-U18-01 | 3C-120         | 1150-U40-22  | 3C-740         | 1160-08-03RA | 3ZA-420        | 1160-U154    | 3D-220         |
| 1150-U18-02 | 3C-120         | 1150-U40-30  | 3C-740         | 1160-08-05RA | 3ZA-420        | 1160-U155    | 3D-220         |
| 1150-U18-03 | 3C-120         | 1150-U40-31  | 3C-740         | 1160-08-07RA | 3ZA-420        | 1160-U156    | 3D-220         |
| 1150-U18-11 | 3C-720         | 1150-U41-03  | 3C-140         | 1160-09-01RA | 3ZA-420        | 1160-U157    | 3D-220         |
| 1150-U18-12 | 3C-720         | 1150-U41-22  | 3C-740         | 1160-09-03RA | 3ZA-420        | 1160-U158    | 3D-220         |
| 1150-U18-13 | 3C-730         | 1150-U41-30  | 3C-740         | 1160-09-05RA | 3ZA-420        | 1160-U159    | 3D-220         |
| 1150-U19    | 3C-120         | 1150-U41-31  | 3C-740         | 1160-09-07RA | 3ZA-420        | 1160-U160    | 3D-220         |
| 1150-U19-01 | 3C-120         | 1150-U42-03  | 3C-140         |              |                | 1160-U161    | 3D-220         |
| 1150-U19-02 | 3C-120         | 1150-U42-22  | 3C-740         | 1160-U1      | 3D-120         | 1160-U162    | 3D-220         |
| 1150-U19-03 | 3C-120         | 1150-U42-30  | 3C-740         | 1160-U2      | 3D-120         | 1160-U163    | 3D-220         |
| 1150-U19-11 | 3C-720         | 1150-U42-31  | 3C-740         | 1160-U3      | 3D-120         | 1160-U164    | 3D-220         |
| 1150-U19-12 | 3C-720         | 1150-U43-03  | 3C-140         | 1160-U4      | 3D-120         | 1160-U165    | 3D-220         |
| 1150-U19-13 | 3C-730         | 1150-U43-22  | 3C-740         | 1160-U9      | 3D-120         | 1160-U166    | 3D-220         |
| 1150-U26    | 3C-120         | 1150-U43-30  | 3C-740         | 1160-U10     | 3D-120         | 1160-U200-LI | 3D-140         |
| 1150-U20    | 3C-120         | 1150-U43-31  | 3C-740         | 1160-U11     | 3D-120         | 1160-U200-RE | 3D-140         |
| 1150-U20-02 | 3C-120         | 1150-U44-03  | 3C-140         | 1160-U12     | 3D-120         | 1160-U201    | 3D-140         |
| 1150-U20-03 | 3C-120         | 1150-U44-22  | 3C-740         | 1160-U13     | 3D-120         | 1160-U202    | 3D-140         |
| 1150-U20-11 | 3C-720         | 1150-U44-30  | 3C-740         | 1160-U14     | 3D-120         | 1160-U203    | 3D-140         |
| 1150-U20-12 | 3C-720         | 1150-U44-31  | 3C-740         | 1160-U15     | 3D-120         | 1160-U204    | 3D-140         |
| 1150-U20-13 | 3C-730         | 1150-U45-03  | 3C-140         | 1160-U16     | 3D-120         | 1160-U235    | 3D-140         |
| 1150-U21    | 3C-120         | 1150-U45-22  | 3C-740         | 1160-U17     | 3D-120         | 1160-U236    | 3D-140         |
| 1150-U21-02 | 3C-120         | 1150-U45-30  | 3C-740         | 1160-U18     | 3D-120         |              |                |
| 1150-U21-03 | 3C-120         | 1150-U45-31  | 3C-740         | 1160-U19     | 3D-120         | 1180-08-01RA | 3ZA-520        |
| 1150-U22    | 3C-120         | 1150-U46-03  | 3C-140         | 1160-U20     | 3D-120         | 1180-08-03RA | 3ZA-520        |
| 1150-U22-02 | 3C-120         | 1150-U46-22  | 3C-740         | 1160-U21     | 3D-120         | 1180-08-05RA | 3ZA-520        |
| 1150-U22-03 | 3C-120         | 1150-U46-30  | 3C-740         | 1160-U22     | 3D-120         | 1180-08-07RA | 3ZA-520        |
| 1150-U23    | 3C-120         | 1150-U46-31  | 3C-740         | 1160-U23     | 3D-120         | 1180-09-01RA | 3ZA-520        |
| 1150-U23-02 | 3C-120         | 1150-U50-01  | 3C-780         | 1160-U24     | 3D-120         | 1180-09-03RA | 3ZA-520        |
| 1150-U23-03 | 3C-120         | 1150-U50-02  | 3C-780         | 1160-U25     | 3D-120         | 1180-09-05RA | 3ZA-520        |
| 1150-U24    | 3C-120         | 1150-U50-03  | 3C-780         | 1160-U26     | 3D-120         | 1180-09-07RA | 3ZA-520        |
| 1150-U24-02 | 3C-120         | 1150-U51-02  | 3C-780         | 1160-U27     | 3D-120         |              |                |
| 1150-U24-03 | 3C-120         | 1150-U52     | 3C-780         | 1160-U28     | 3D-120         | 1180-U1      | 3E-120         |
| 1150-U25    | 3C-120         | 1150-U53     | 3C-780         | 1160-U29     | 3D-120         | 1180-U2      | 3E-120         |
| 1150-U25-02 | 3C-120         | 1150-U54     | 3C-780         | 1160-U30     | 3D-120         | 1180-U3      | 3E-120         |
| 1150-U25-03 | 3C-120         | 1150-U55-01  | 3C-120         | 1160-U31     | 3D-120         | 1180-U4      | 3E-120         |
| 1150-U26    | 3C-120         | 1150-U55-03  | 3C-120         | 1160-U32     | 3D-120         | 1180-U5      | 3E-120         |
| 1150-U26-02 | 3C-120         | 1150-U56     | 3C-160         | 1160-U35     | 3D-120         | 1180-U6      | 3E-120         |
| 1150-U26-03 | 3C-120         | 1150-U56-01  | 3C-160         | 1160-U36     | 3D-120         | 1180-U7      | 3E-120         |
| 1150-U27    | 3C-120         | 1150-U56-V   | 3C-160         | 1160-U52     | 3D-120         | 1180-U8      | 3E-120         |
| 1150-U27-02 | 3C-120         | 1150-U56-01V | 3C-160         | 1160-U53     | 3D-120         | 1180-U9      | 3E-120         |
| 1150-U27-03 | 3C-120         | 1150-U57     | 3YC-180        | 1160-U54     | 3D-120         | 1180-U10     | 3E-120         |
| 1150-U28    | 3C-120         | 1150-U63     | 1C-130         | 1160-U55     | 3D-120         | 1180-U11     | 3E-120         |
| 1150-U28-02 | 3C-120         | 1150-U63-01  | 3YC-190        | 1160-U56     | 3D-120         | 1180-U12     | 3E-120         |
| 1150-U28-03 | 3C-120         | 1150-U63-02  | 3YC-190        | 1160-U57     | 3D-120         | 1180-U13     | 3E-120         |
| 1150-U29    | 3C-120         |              |                | 1160-U58     | 3D-120         | 1180-U14     | 3E-120         |
| 1150-U29-02 | 3C-120         | 1151-05      | 3C-420         | 1160-U59     | 3D-120         | 1180-U15     | 3E-120         |



| Part no.     | Catalogue page | Part no.     | Catalogue page | Part no.     | Catalogue page | Part no.       | Catalogue page |
|--------------|----------------|--------------|----------------|--------------|----------------|----------------|----------------|
| 1180-U16     | 3E-120         | 1190-U219    | 3F-320         | 1225-U101    | 3G-260         | 1317-U122-HJ   | 3AB-120        |
| 1180-U101    | 3E-220         | 1190-U231    | 3F-320         | 1225-U184    | 3G-220         | 1317-U123      | 3AB-120        |
| 1180-U102    | 3E-220         | 1190-U306    | 3F-330         | 1225-U185    | 3G-220         | 1317-U123-BO   | 3AB-120        |
| 1180-U103    | 3E-220         |              |                | 1225-U185-01 | 3G-220         | 1317-U123-HJ   | 3AB-120        |
| 1180-U104    | 3E-220         | 1200-U...-01 | 7A-120         | 1225-U186    | 3G-220         | 1317-U131      | 3AB-120        |
| 1180-U105    | 3E-220         | 1200-U...-02 | 7A-120         | 1225-U186-01 | 3G-220         | 1317-U131-HJ   | 3AB-120        |
| 1180-U106    | 3E-220         | 1200-U...-03 | 7A-120         | 1225-U190    | 3G-220         | 1317-U151-02   | 3AB-120        |
| 1180-U107    | 3E-220         | 1200-U...-04 | 7A-120         | 1225-U190-01 | 3G-220         | 1317-U151-02HJ | 3AB-120        |
| 1180-U108    | 3E-220         | 1200-U...-05 | 7A-120         | 1225-U191    | 3G-220         | 1317-U155-BO   | 3AB-180        |
| 1180-U109    | 3E-220         | 1200-U...-06 | 7A-120         | 1225-U191-01 | 3G-220         | 1317-U156-BO   | 3AB-180        |
| 1180-U110    | 3E-220         | 1200-U...-07 | 7A-120         | 1225-U191-E  | 3G-220         | 1317-U157-BO   | 3AB-180        |
| 1180-U111    | 3E-220         | 1200-U...-08 | 7A-120         | 1225-U193    | 3G-220         | 1317-U158-BO   | 3AB-180        |
| 1180-U112    | 3E-220         | 1200-U...-09 | 7A-120         | 1225-U194    | 3G-220         | 1317-U161-02   | 3AB-120        |
| 1180-U113    | 3E-220         | 1200-U...-10 | 7A-120         | 1225-U195    | 3G-220         | 1317-U161-02HJ | 3AB-120        |
| 1180-U114    | 3E-220         | 1200-U...-11 | 7A-120         | 1225-U196    | 3G-220         | 1317-U201      | 3AB-160        |
| 1180-U115    | 3E-220         | 1200-U...-12 | 7A-120         | 1225-U198    | 3G-420         | 1317-U201-HJ   | 3AB-160        |
| 1180-U116    | 3E-220         | 1200-U...-13 | 7A-120         | 1225-U200    | 3G-220         | 1317-U202      | 3AB-160        |
| 1180-U200-LI | 3E-140         | 1200-U...-14 | 7A-120         | 1225-U201    | 3G-220         | 1317-U202-HJ   | 3AB-160        |
| 1180-U200-RE | 3E-140         | 1200-U...-15 | 7A-120         | 1225-U202    | 3G-220         | 1317-U221      | 3AB-160        |
| 1180-U201    | 3E-320         | 1200-U...-16 | 7A-120         | 1225-U203    | 3G-220         | 1317-U221-HJ   | 3AB-160        |
| 1180-U301    | 3E-140         | 1200-U...-17 | 7A-120         | 1225-U206    | 3G-220         | 1317-U222      | 3AB-160        |
|              |                | 1200-U...-18 | 7A-120         | 1225-U207    | 3G-220         | 1317-U222-HJ   | 3AB-160        |
| 1185-U1      | 3E-520         | 1210-U...    | 7B-120         | 1225-U210    | 3G-220         | 1317-U301      | 3AB-160        |
| 1185-U2      | 3E-520         | 1210-U...    | 7B-320         | 1225-U211    | 3G-220         | 1317-U301-BO   | 3AB-160        |
| 1185-U3      | 3E-540         |              |                | 1225-U212    | 3G-220         | 1317-U302      | 3AB-160        |
| 1185-U4      | 3E-540         | 1210-X...    | 7B-120         | 1225-U213    | 3G-220         | 1317-U302-BO   | 3AB-160        |
| 1185-U4-V    | 3E-540         | 1210-X...    | 7B-320         | 1225-U214    | 3G-220         | 1317-U321      | 3AB-160        |
| 1185-U5      | 3E-540         |              |                | 1225-U215    | 3G-220         | 1317-U321-01   | 3AB-220        |
| 1185-U5-V    | 3E-540         | 1215-U1      | 7B-220         | 1225-U216    | 3G-220         | 1317-U321-BO   | 3AB-160        |
|              |                | 1215-U1-V    | 7B-220         | 1225-U219    | 3G-220         | 1317-U322      | 3AB-160        |
| 1190-25-01JB | 3ZA-560        | 1215-U2-U78  | 7B-220         | 1225-U220    | 3G-220         | 1317-U322-BO   | 3AB-160        |
| 1190-25-01TA | 3ZA-560        | 1215-U2-U322 | 7B-220         | 1225-U221    | 3G-220         | 1317-U401      | 3AB-140        |
| 1190-25-02JB | 3ZA-560        | 1215-U2-U323 | 7B-220         | 1225-U222    | 3G-220         | 1317-U401-01   | 3AB-140        |
| 1190-25-02TA | 3ZA-560        | 1215-U2-U324 | 7B-220         | 1225-U224    | 3G-220         | 1317-U403-01   | 3AB-140        |
| 1190-27-01JB | 3ZA-560        | 1215-U2-U325 | 7B-220         | 1225-U225    | 3G-220         | 1317-U406      | 3AB-140        |
| 1190-27-01TA | 3ZA-560        | 1215-U2-U326 | 7B-220         | 1225-U236    | 3G-220         | 1317-U406-01   | 3AB-140        |
| 1190-27-02JB | 3ZA-560        | 1215-U2-U327 | 7B-220         | 1225-U239    | 3G-220         | 1317-U421      | 3AB-140        |
| 1190-27-02TA | 3ZA-560        | 1215-U2-U328 | 7B-220         | 1225-U242    | 3G-220         | 1317-U421-01   | 3AB-140        |
|              |                | 1215-U2-U329 | 7B-220         | 1225-U243    | 3G-220         | 1317-U421-02   | 3AB-220        |
|              |                | 1215-U2-U739 | 7B-220         | 1225-U244    | 3G-220         | 1317-U423-01   | 3AB-140        |
| 1190-U1      | 3F-120         |              |                | 1225-U245    | 3G-220         | 1317-U426      | 3AB-140        |
| 1190-U3      | 3F-220         | 1221-U19     | 3G-120         | 1225-U246    | 3G-220         | 1317-U426-01   | 3AB-140        |
| 1190-U4      | 3F-220         | 1221-U20     | 3G-120         | 1225-U247    | 3G-220         |                |                |
| 1190-U5      | 3F-220         | 1221-U22     | 3G-120         | 1225-U248    | 3G-220         | 1321-U1        | 3BA-120        |
| 1190-U6      | 3F-420         | 1221-U23     | 3G-120         | 1225-U249    | 3G-220         | 1321-U2        | 3BA-120        |
| 1190-U6-V    | 3F-420         | 1221-U133    | 3G-120         | 1225-U250    | 3G-220         | 1321-U3        | 3BA-120        |
| 1190-U7      | 3F-420         | 1221-U134    | 3G-120         | 1225-U251    | 3G-220         | 1321-U4        | 3BA-120        |
| 1190-U7-V    | 3F-420         | 1221-U135    | 3G-120         | 1225-U252    | 3G-220         |                |                |
| 1190-U9      | 3F-420         | 1221-U19A    | 3G-120         | 1225-U253    | 3G-220         | 1325-14-01JB   | 3ZA-600        |
| 1190-U10     | 3F-420         | 1221-U22A    | 3G-120         | 1225-U254    | 3G-220         | 1325-14-03JB   | 3ZA-600        |
| 1190-U11     | 3F-420         |              |                | 1225-U256    | 3G-220         | 1325-14-05JB   | 3ZA-600        |
| 1190-U12     | 3F-420         | 1223-U1      | 3G-180         | 1225-U257    | 3G-220         | 1325-14-07JB   | 3ZA-600        |
| 1190-U13     | 3F-420         | 1223-U2      | 3G-180         | 1225-U268    | 3G-220         | 1325-15-01JB   | 3ZA-600        |
| 1190-U14     | 3F-420         | 1223-U3      | 3G-180         | 1225-U269    | 3G-220         | 1325-15-03JB   | 3ZA-600        |
| 1190-U15     | 3F-420         | 1223-U4      | 3G-180         | 1225-U275    | 3G-220         | 1325-15-05JB   | 3ZA-600        |
| 1190-U16     | 3F-420         | 1223-U5      | 3G-180         | 1225-U276    | 3G-220         | 1325-15-07JB   | 3ZA-600        |
| 1190-U17     | 3F-420         | 1223-U6      | 3G-180         | 1225-U282    | 3G-220         |                |                |
| 1190-U18     | 3F-420         | 1223-U7      | 3G-180         | 1225-U283    | 3G-220         | 1325-U1        | 3BA-220        |
| 1190-U19     | 3F-420         | 1223-U8      | 3G-180         | 1225-U291    | 3G-420         | 1325-U1-01     | 3BA-220        |
| 1190-U20     | 3F-420         | 1223-U9      | 3G-180         | 1225-U302    | 3G-260         | 1325-U2        | 3BA-220        |
| 1190-U21     | 3F-420         | 1223-U10     | 3G-180         | 1225-U303    | 3G-260         | 1325-U2-01     | 3BA-220        |
| 1190-U22     | 3F-420         | 1223-U11     | 3G-180         | 1225-U326    | 3G-260         | 1325-U3        | 3BA-220        |
| 1190-U23     | 3F-420         | 1223-U12     | 3G-180         | 1225-U339    | 3G-260         | 1325-U3-01     | 3BA-220        |
| 1190-U24     | 3F-420         | 1223-U13     | 3G-180         |              |                | 1325-U4        | 3BA-220        |
| 1190-U25     | 3F-420         | 1223-U14     | 3G-180         | 1240-U1      | 3G-520         | 1325-U4-01     | 3BA-220        |
| 1190-U26     | 3F-420         | 1223-U15     | 3G-180         | 1240-U2      | 3G-520         | 1325-U22       | 3BA-210        |
| 1190-U27     | 3F-420         | 1223-U16     | 3G-180         |              |                | 1325-U101      | 3BA-210        |
| 1190-U28     | 3F-420         | 1223-U17     | 3G-180         | 1250-U1      | 8D-520         | 1325-U101      | 3BA-220        |
| 1190-U29     | 3F-420         | 1223-U18     | 3G-180         | 1250-U2      | 8D-520         | 1325-U201      | 3BA-320        |
| 1190-U30     | 3F-420         | 1223-U19     | 3G-180         | 1250-U3      | 8D-520         | 1325-U202      | 3BA-320        |
| 1190-U31     | 3F-420         | 1223-U20     | 3G-180         | 1250-U4      | 8D-540         | 1325-U202      | 3ZA-605        |
| 1190-U32     | 3F-420         | 1223-U21     | 3G-180         | 1250-U5      | 8D-540         | 1325-U220-01   | 3ZA-605        |
| 1190-U106    | 3F-430         | 1223-U22     | 3G-180         | 1250-U6      | 8D-540         | 1325-U220-03   | 3ZA-605        |
| 1190-U107    | 3F-430         | 1223-U25     | 3G-180         | 1250-U7      | 8D-540         | 1325-U220-05   | 3ZA-605        |
| 1190-U206    | 3F-320         | 1223-U27     | 3G-180         |              |                | 1325-U220-07   | 3ZA-605        |
| 1190-U206-V  | 3F-320         | 1223-U28     | 3G-180         | 1300-U1-BxH  | 7C-120         |                |                |
| 1190-U209    | 3F-320         | 1223-U29     | 3G-180         |              |                | 1390-11-01JB   | 3ZA-610        |
| 1190-U210    | 3F-320         | 1223-U30     | 3G-180         | 1317-U102    | 3AB-120        | 1390-11-03JB   | 3ZA-610        |
| 1190-U211    | 3F-320         | 1223-U31     | 3G-180         | 1317-U102-BO | 3AB-120        | 1390-11-05JB   | 3ZA-610        |
| 1190-U212    | 3F-320         | 1223-U32     | 3G-180         | 1317-U102-HJ | 3AB-120        | 1390-11-07JB   | 3ZA-610        |
| 1190-U213    | 3F-320         | 1223-U33     | 3G-180         | 1317-U103    | 3AB-120        | 1390-12-01JB   | 3ZA-610        |
| 1190-U214    | 3F-320         |              |                | 1317-U103-BO | 3AB-120        | 1390-12-03JB   | 3ZA-610        |
| 1190-U215    | 3F-320         |              |                | 1317-U103-HJ | 3AB-120        | 1390-12-05JB   | 3ZA-610        |
| 1190-U216    | 3F-320         | 1225-U60     | 3G-320         | 1317-U122    | 3AB-120        | 1390-12-07JB   | 3ZA-610        |
| 1190-U217    | 3F-320         | 1225-U62     | 3G-320         | 1317-U122-BO | 3AB-120        |                |                |
| 1190-U218    | 3F-320         |              |                |              |                |                |                |

|   |                    |
|---|--------------------|
| 1 | Quarter turns      |
| 2 | Rod controls       |
| 3 | Locking systems    |
| 4 | Hinges             |
| 5 | Seals              |
| 6 | Handles            |
| 7 | Aluminium windows  |
| 8 | Miscellaneous      |
| 9 | Special catalogues |

Info

1 Quarter turns

2 Rod controls

3 Locking systems

4 Hinges

5 Seals

6 Handles

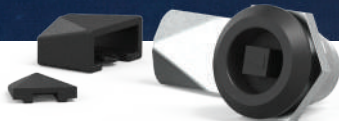
7 Aluminium windows

8 Miscellaneous

9 Special catalogues

Index

| Part no.       | Catalogue page | Part no.         | Catalogue page | Part no.     | Catalogue page | Part no.      | Catalogue page |
|----------------|----------------|------------------|----------------|--------------|----------------|---------------|----------------|
| 1390-U1        | 3FA-140        | 1500-U572        | 1D-220         | 2150-U1      | 3H-120         | 3000-U102     | 3N-130         |
| 1390-U1        | 3FA-150        | 1500-U574        | 1D-220         | 2150-U2      | 3H-120         | 3000-U104-01  | 3N-110         |
| 1390-U1-CX     | 3FA-140        | 1500-U773        | 1D-220         | 2150-U3      | 3H-120         | 3000-U104-01  | 3N-120         |
| 1390-U1-CX     | 3FA-150        | 1500-U774        | 1D-220         | 2150-U4      | 3H-160         | 3000-U104-01  | 3N-130         |
| 1390-U2        | 3FA-140        | 1500-U776-LIPH   | 1D-420         | 2150-U4-01   | 3H-160         | 3000-U900-41  | 3N-110         |
| 1390-U2        | 3FA-150        | 1500-U776-REPH   | 1D-420         | 2150-U5      | 3H-160         | 3000-U900-42  | 3N-110         |
| 1390-U3        | 3FA-140        | 1500-U776-01LIPH | 1D-420         | 2150-U5-01   | 3H-160         | 3000-U910-21  | 3N-130         |
| 1390-U3        | 3FA-150        | 1500-U776-01REPH | 1D-420         | 2150-U6      | 3H-160         | 3000-U910-22  | 3N-130         |
| 1390-U4        | 3FA-140        | 1500-U775        | 1D-220         | 2150-U6-01   | 3H-160         | 3000-U911-41  | 3N-120         |
| 1390-U4        | 3FA-150        |                  |                | 2150-U7      | 3H-160         | 3000-U911-42  | 3N-120         |
| 1390-U10-01    | 3ZA-610        | 1715-U331        | 4D-120         | 2150-U7-01   | 3H-160         | 6020-U1098-PP | 4B-220         |
| 1390-U10-03    | 3ZA-610        | 1715-U332        | 4D-120         | 2150-U8      | 3H-160         | 6040-15-JQ    | 6B-220         |
| 1390-U10-05    | 3ZA-610        | 1715-U333        | 4D-120         | 2150-U8-01   | 3H-160         | 6040-15-KA    | 6B-220         |
| 1390-U10-07    | 3ZA-610        |                  |                | 2150-U9      | 3H-160         | 6040-15-PC    | 6B-220         |
| 1390-U11-01    | 3ZA-610        | 2074-U111-IA     | 8A-840         | 2150-U9-01   | 3H-160         | 6040-15-01KA  | 6B-220         |
| 1390-U11-03    | 3ZA-610        | 2074-U113-IA     | 8A-840         |              |                |               |                |
| 1390-U11-05    | 3ZA-610        | 2074-U130-IK     | 8A-840         | 2153-U3      | 3H-220         | 6040-U12-JQ   | 6B-120         |
| 1390-U11-07    | 3ZA-610        | 2074-U132-IK     | 8A-840         | 2153-U4      | 3H-220         | 6040-U12-KA   | 6B-120         |
| 1390-U33       | 3FA-120        | 2074-U372-137IK  | 8A-820         | 2153-U5      | 3H-220         | 6040-U12-01KA | 6B-120         |
| 1390-U33       | 3FA-130        | 2074-U372-156IK  | 8A-820         | 2153-U6      | 3H-220         | 6040-U13-JQ   | 6B-120         |
| 1390-U38       | 3FA-120        |                  |                | 2153-U7      | 3H-220         | 6040-U13-PC   | 6B-120         |
| 1390-U38       | 3FA-130        | 2100-B14         | 3XA-240        | 2153-U8      | 3H-220         | 6040-U14-JQ   | 6B-120         |
| 1390-U38-CX    | 3FA-120        | 2100-B15         | 3XA-240        | 2153-U9      | 3H-220         | 6040-U14-PC   | 6B-120         |
| 1390-U38-CX    | 3FA-130        | 2100-B16         | 3XA-240        | 2153-U10     | 3H-220         | 6040-U14-LA   | 6B-220         |
| 1390-U39       | 3FA-120        | 2100-B17         | 3XA-240        | 2153-U11     | 3H-220         | 6040-U23-JQ   | 6B-140         |
| 1390-U39       | 3FA-130        | 2100-B18         | 3XA-240        |              |                | 6040-U23-PC   | 6B-140         |
|                |                | 2100-B19         | 3XA-240        | 2200-05      | 3YA-540        | 6040-U24-JQ   | 6B-140         |
| 1500-01        | 1D-140         | 2100-B20         | 3XA-240        | 2200-06      | 3YA-540        | 6040-U24-PC   | 6B-140         |
| 1500-01-G      | 1D-140         | 2100-B21         | 3XA-240        |              |                | 6040-U33-JQ   | 6B-140         |
| 1500-01-HW     | 1D-140         | 2100-B22         | 3XA-240        | 2200-U1-C    | 3YA-540        | 6040-U33-PC   | 6B-140         |
| 1500-01-GHW    | 1D-140         | 2100-B23         | 3XA-240        |              |                | 6040-U34-JQ   | 6B-140         |
| 1500-02-10     | 1D-140         | 2100-B24         | 3XA-240        | 2225-U1      | 3J-120         | 6040-U34-PC   | 6B-140         |
| 1500-02-15     | 1D-140         | 2100-B25         | 3XA-240        | 2225-U2      | 3J-140         | 6040-U35-JQ   | 6B-160         |
| 1500-05-10     | 1D-220         | 2100-B26         | 3XA-240        | 2225-U3      | 3J-160         | 6040-U35-PC   | 6B-160         |
| 1500-05-10     | 1D-240         | 2100-B27         | 3XA-240        | 2225-U11     | 3J-120         | 6040-U41-JQ   | 6B-160         |
| 1500-05-15     | 1D-220         | 2100-B28         | 3XA-240        | 2225-U11-01  | 3J-140         | 6040-U41-PC   | 6B-160         |
| 1500-05-15     | 1D-240         | 2100-B29         | 3XA-240        | 2225-U11-LI  | 3J-160         | 6040-U46-JQ   | 6B-180         |
| 1500-136-H16   | 1D-140         | 2100-B30         | 3XA-240        | 2225-U11-RE  | 3J-160         | 6040-U53-JQ   | 6B-180         |
| 1500-136-H18   | 1D-140         | 2100-B31         | 3XA-240        | 2225-U48     | 3J-120         | 6040-U53-PC   | 6B-180         |
| 1500-136-H22   | 1D-140         | 2100-B32         | 3XA-240        | 2225-U48-01  | 3J-140         | 6040-U54-JQ   | 6B-180         |
| 1500-136-H24   | 1D-140         | 2100-B33         | 3XA-240        | 2225-U48-LI  | 3J-160         | 6040-U54-PC   | 6B-180         |
| 1500-136-H28   | 1D-140         | 2100-B34         | 3XA-240        | 2225-U48-RE  | 3J-160         | 6040-U80-JQ   | 6B-240         |
| 1500-136-H30   | 1D-140         | 2100-B36         | 3XA-240        | 2225-U49     | 3J-120         | 6040-U80-PC   | 6B-240         |
| 1500-140-H16   | 1D-140         |                  |                | 2225-U49-01  | 3J-140         | 6040-U94-JQ   | 6B-320         |
| 1500-140-H18   | 1D-140         | 2100-U1          | 3H-320         | 2225-U49-LI  | 3J-160         |               |                |
| 1500-140-H22   | 1D-140         | 2100-U2          | 3H-320         | 2225-U49-RE  | 3J-160         | 6042-63-JQ    | 6B-320         |
| 1500-140-H24   | 1D-140         | 2100-U6          | 3XA-120        | 2225-U50     | 3J-120         | 6042-69-JQ    | 6B-320         |
| 1500-140-H28   | 1D-140         | 2100-U9          | 3H-420         | 2225-U50-01  | 3J-140         | 6042-69-PC    | 6B-320         |
| 1500-140-H30   | 1D-140         | 2100-U11         | 3XA-120        | 2225-U50-LI  | 3J-160         | 6042-278-JQ   | 6B-320         |
| 1500-140-H18HW | 1D-140         | 2100-U31         | 3C-440         | 2225-U50-RE  | 3J-160         |               |                |
| 1500-152-H16   | 1D-140         | 2100-U31         | 3F-120         | 2225-U54     | 3J-120         |               |                |
| 1500-152-H18   | 1D-140         | 2100-U31         | 3H-320         | 2225-U54-01  | 3J-140         |               |                |
| 1500-152-H22   | 1D-140         | 2100-U32         | 3XA-140        | 2225-U54-LI  | 3J-160         |               |                |
| 1500-152-H24   | 1D-140         | 2100-U33         | 3H-420         | 2225-U54-RE  | 3J-160         |               |                |
| 1500-152-H28   | 1D-140         | 2100-U33         | 3XA-140        | 2225-U60     | 3J-120         |               |                |
| 1500-152-H30   | 1D-140         | 2100-U34         | 3XA-140        | 2225-U60-01  | 3J-140         |               |                |
| 1500-156-H16   | 1D-140         | 2100-U35         | 3XA-140        | 2225-U60-LI  | 3J-160         |               |                |
| 1500-156-H18   | 1D-140         | 2100-U36         | 3XA-140        | 2225-U60-RE  | 3J-160         |               |                |
| 1500-156-H22   | 1D-140         | 2100-U37         | 3XA-140        | 2225-U101    | 3J-120         |               |                |
| 1500-156-H24   | 1D-140         | 2100-U38         | 3XA-140        |              |                |               |                |
| 1500-156-H28   | 1D-140         | 2100-U39         | 3XA-140        | 2300-04      | 3ZC-140        |               |                |
| 1500-156-H30   | 1D-140         | 2100-U40         | 3XA-140        |              |                |               |                |
| 1500-160-H16   | 1D-140         | 2100-U41         | 3XA-140        | 2400-18-01RA | 3ZA-580        |               |                |
| 1500-160-H18   | 1D-140         | 2100-U42         | 3XA-140        | 2400-18-03RA | 3ZA-580        |               |                |
| 1500-160-H22   | 1D-140         | 2100-U43         | 3XA-140        | 2400-18-05RA | 3ZA-580        |               |                |
| 1500-160-H24   | 1D-140         | 2100-U44         | 3XA-140        | 2400-18-07RA | 3ZA-580        |               |                |
| 1500-160-H28   | 1D-140         | 2100-U45         | 3XA-140        | 2400-19-01RA | 3ZA-580        |               |                |
| 1500-160-H30   | 1D-140         | 2100-U46         | 3XA-140        | 2400-19-03RA | 3ZA-580        |               |                |
| 1500-177-H16   | 1D-140         | 2100-U47         | 3XA-140        | 2400-19-05RA | 3ZA-580        |               |                |
| 1500-177-H18   | 1D-140         | 2100-U48         | 3XA-140        | 2400-19-07RA | 3ZA-580        |               |                |
| 1500-177-H22   | 1D-140         | 2100-U49         | 3XA-140        |              |                |               |                |
| 1500-177-H24   | 1D-140         | 2100-U50         | 3XA-140        | 2400-U3      | 3K-220         |               |                |
| 1500-177-H28   | 1D-140         | 2100-U51         | 3XA-140        | 2400-U4      | 3K-220         |               |                |
| 1500-177-H30   | 1D-140         | 2100-U53         | 3XA-140        |              |                |               |                |
| 1500-B156-H28  | 1D-140         | 2100-U54         | 3XA-140        | 2600-12      | 3ZA-600        |               |                |
|                |                | 2100-U56         | 3XA-240        | 2600-12      | 3ZA-610        |               |                |
| 1500-U18       | 1D-240         | 2100-U57         | 3XA-140        |              |                |               |                |
| 1500-U19       | 1D-240         | 2100-U58         | 3XA-140        | 3000-87      | 3N-110         |               |                |
| 1500-U343      | 1D-220         | 2100-U59         | 3H-320         | 3000-87      | 3N-120         |               |                |
| 1500-U345      | 1D-220         |                  |                | 3000-87      | 3N-130         |               |                |
| 1500-U347      | 1D-220         | 2121-U26-C       | 3YA-520        | 3000-88      | 3N-110         |               |                |
| 1500-U546      | 1D-220         | 2121-U27-C       | 3YA-520        | 3000-88      | 3N-120         |               |                |
| 1500-U548      | 1D-220         | 2121-U28-C       | 3YA-420        | 3000-88      | 3N-130         |               |                |
| 1500-U550      | 1D-220         | 2121-U29-C       | 3YA-420        |              |                |               |                |
| 1500-U570      | 1D-220         |                  |                | 3000-U102    | 3N-110         |               |                |



[www.EMKA.com](http://www.EMKA.com)

- |   |  |  |   |
|---|--|--|---|
|  <b>ALGERIA</b><br>EMKA France<br>Tel. +33/254/320862<br>emka@emka-france.com                         |  <b>ESTONIA</b><br>EMKA Polska<br>Tel. +370/612/42868<br>m.balsevicius@emka.net                   |  <b>MOROCCO</b><br>EMKA France<br>Tel. +33/254/320862<br>emka@emka-france.com                           |  <b>SPAIN</b><br>EMKA Beschlagteile Ibérica<br>Tel. +34/672/262672<br>info@emka-iberica.es   |
|  <b>ARMENIA</b><br>EMKA Kilit<br>Tel. +90/262/2909097<br>info@emkakilit.com.tr                        |  <b>FINLAND</b><br>EMKA Scandinavia<br>Tel. +46/36/314130<br>info@emka.se                         |  <b>MEXICO</b><br>EMKA Mexico Beschlagteile<br>Tel. +52/44/22095217<br>info@emka.mx                     |  <b>SWEDEN</b><br>EMKA Scandinavia<br>Tel. +46/36/314130<br>info@emka.se                     |
|  <b>AUSTRIA</b><br>EMKA Beschlagteile Ges.m.b.H.<br>Tel. +43/2143/43063<br>info@emka-beschlagteile.at |  <b>FRANCE</b><br>EMKA France<br>Tel. +33/254/320862<br>emka@emka-france.com                      |  <b>MONTENEGRO</b><br>EMKA Bosnia<br>Tel. +387/38/241310<br>info@emka.ba                                |  <b>SWITZERLAND</b><br>EMKA Beschlagteile AG<br>Tel. +41/33/8260220<br>info@emka.ch          |
|  <b>AUSTRALIA *</b><br>Lock Focus<br>Tel. +61/3/97981322<br>sales@lockfocus.com.au                    |  <b>GEORGIA</b><br>EMKA Kilit<br>Tel. +90/262/2909097<br>info@emkakilit.com.tr                    |  <b>NETHERLANDS</b><br>EMKA Benelux<br>Tel. +31/413/323510<br>info@emka.org                             |  <b>TUNISIA</b><br>EMKA France<br>Tel. +33/254/320862<br>emka@emka-france.com                |
|  <b>AZERBAIJAN</b><br>EMKA Kilit<br>Tel. +90/262/2909097<br>info@emkakilit.com.tr                     |  <b>GREECE *</b><br>EMKA Hellas<br>Tel. +30/21041/83183<br>info@emka-hellas.com                   |  <b>NORWAY</b><br>EMKA Scandinavia<br>Tel. +46/36/314130<br>info@emka.se                                |  <b>TURKMENISTAN</b><br>EMKA Kilit<br>Tel. +90/262/2909097<br>info@emkakilit.com.tr          |
|  <b>BELARUS</b><br>EMKA Polska<br>Tel. +48/32/6663300<br>info@emka.net                                |  <b>HUNGARY</b><br>EMKA Beschlagteile Ges.m.b.H.<br>Tel. +36/1/2360032<br>info@emka.hu            |  <b>POLAND</b><br>EMKA Polska<br>Tel. +48/32/6663300<br>info@emka.net                                   |  <b>TURKEY</b><br>EMKA Kilit<br>Tel. +90/262/2909097<br>info@emkakilit.com.tr                |
|  <b>BELGIUM</b><br>EMKA Benelux<br>Tel. +31/413/323510<br>info@emka.org                               |  <b>INDIA</b><br>EMKA India<br>Tel. +91/80/48542727<br>info@emka.in                               |  <b>PORTUGAL</b><br>EMKA Beschlagteile Ibérica<br>Tel. +34/672/262672<br>info@emka-iberica.pt           |  <b>UAE</b><br>EMKA Middle East<br>Tel. +971/4/2844528<br>info@emka.ae                       |
|  <b>BOSNIA-HERZEGOVINA</b><br>EMKA Bosnia<br>Tel. +387/38/241310<br>info@emka.ba                     |  <b>INDONESIA</b><br>EMKA Pacific<br>Tel. +62/22/87301000<br>info@emka-pacific.id                |  <b>ROMANIA</b><br>S.C. EMKA Beschlagteile<br>Tel. +40/269/222700<br>info@emka.ro                      |  <b>UKRAINE</b><br>EMKA Ukraine<br>Tel. +380/96/7535875<br>info@emka.in.ua                  |
|  <b>CANADA</b><br>EMKA Inc.<br>Tel. +1/717/9861111<br>info@emkausa.com                              |  <b>ISRAEL *</b><br>Kornass Mechanical Engineering<br>Tel. +972/76/5400789<br>sales@kornass.com |  <b>RUSSIA *</b><br>OOO "EmTechProm"<br>Tel. +7/812/6424397<br>info@emtechprom.ru                     |  <b>UNITED KINGDOM</b><br>EMKA (UK)<br>Tel. +44/2476/616505<br>info@emka.co.uk             |
|  <b>CHILE *</b><br>NDU Ingeniería<br>Tel. +56/2/29639861<br>info@ndu.cl                             |  <b>ITALY</b><br>EMKA Italia<br>Tel. +39/045/6471070<br>info@emka.it                            |  <b>SERBIA</b><br>EMKA Okovi<br>Tel. +385/35/270073<br>info@emka-okovi.hr                             |  <b>USA</b><br>EMKA Inc.<br>Tel. +1/717/9861111<br>info@emkausa.com                        |
|  <b>CHINA</b><br>EMKA Industrial Hardware<br>Tel. +86/22/22242300<br>info@emka.cn                   |  <b>JAPAN *</b><br>TOCHIGIYA<br>Tel. +81/48/2283072<br>support@tochigiya.co.jp                  |  <b>SINGAPORE *</b><br>VF Fastening Systems<br>Tel. +65/6752/3033<br>vincent@vffastening.com.sg       |  <b>UZBEKISTAN</b><br>EMKA Kilit<br>Tel. +90/262/2909097<br>info@emkakilit.com.tr          |
|  <b>CROATIA</b><br>EMKA Okovi<br>Tel. +385/35/270073<br>info@emka-okovi.hr                          |  <b>KAZAKHSTAN</b><br>EMKA Kilit<br>Tel. +90/262/2909097<br>info@emkakilit.com.tr               |  <b>SLOVAKIA</b><br>EMKA Beschlagteile Ges.m.b.H.<br>Tel. +42/190/3446826<br>miro.herman@gmail.com    |  <b>VIETNAM *</b><br>DNP - Dai Nguyen Phat<br>Tel. +84/356/951724<br>ltn@dainguyenphat.com |
|  <b>CZECH REPUBLIC</b><br>EMKA Beschlagteile CZ<br>Tel. +43/214343063<br>info@emka-solutions.cz     |  <b>LATVIA</b><br>EMKA Polska<br>Tel. +370/612/42868<br>m.balsevicius@emka.net                  |  <b>SOUTH AFRICA *</b><br>Enclosure Solutions<br>Tel. +27/11/9737260<br>info@enclosuresolutions.co.za |   |
|  <b>DENMARK *</b><br>A/S Megatrade Beslag<br>Tel. +45/44916700<br>mega@megatrade.dk                 |  <b>LITHUANIA</b><br>EMKA Polska<br>Tel. +370/612/42868<br>m.balsevicius@emka.net               |  <b>SOUTH KOREA *</b><br>Geo Jeon<br>Tel. +82/314/335508<br>geojeon@emkakorea.co.kr                   | *Agency   |